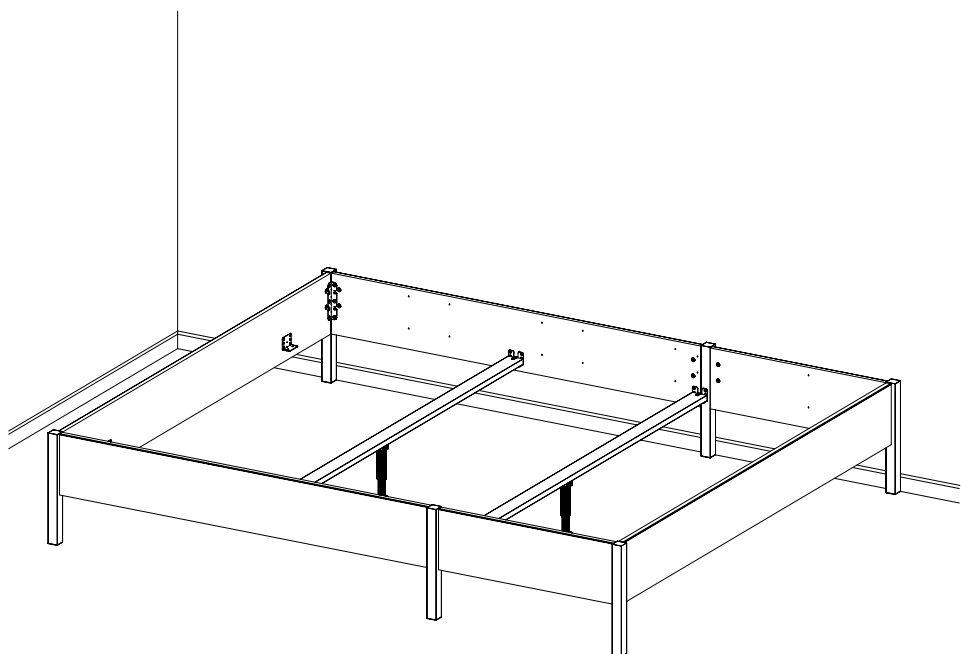
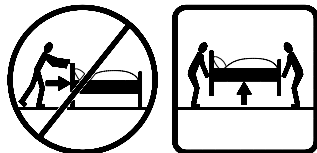
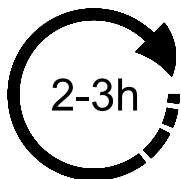
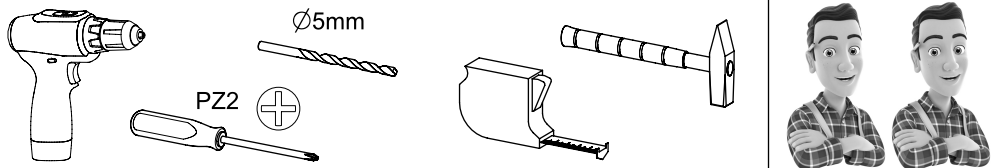
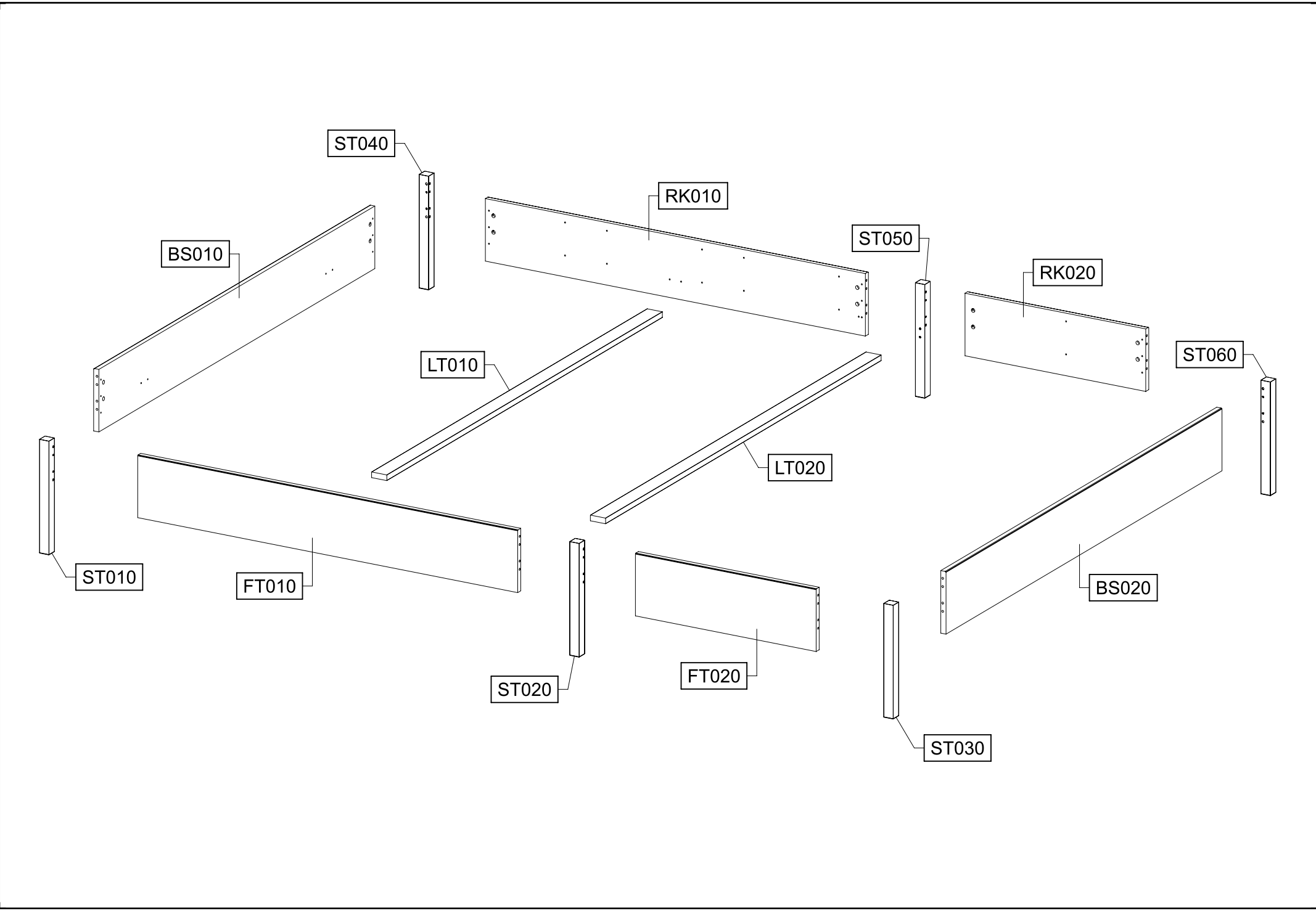
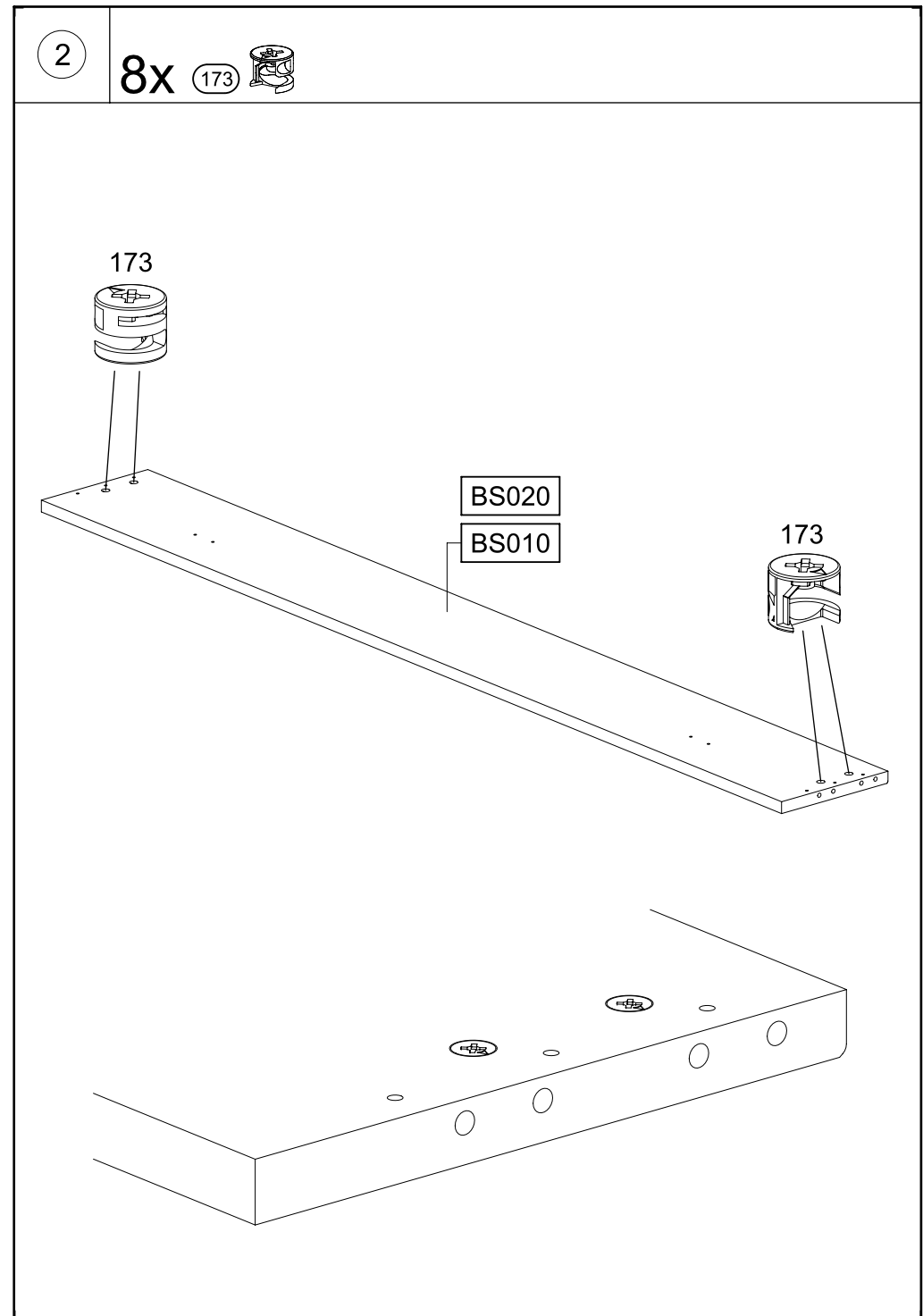
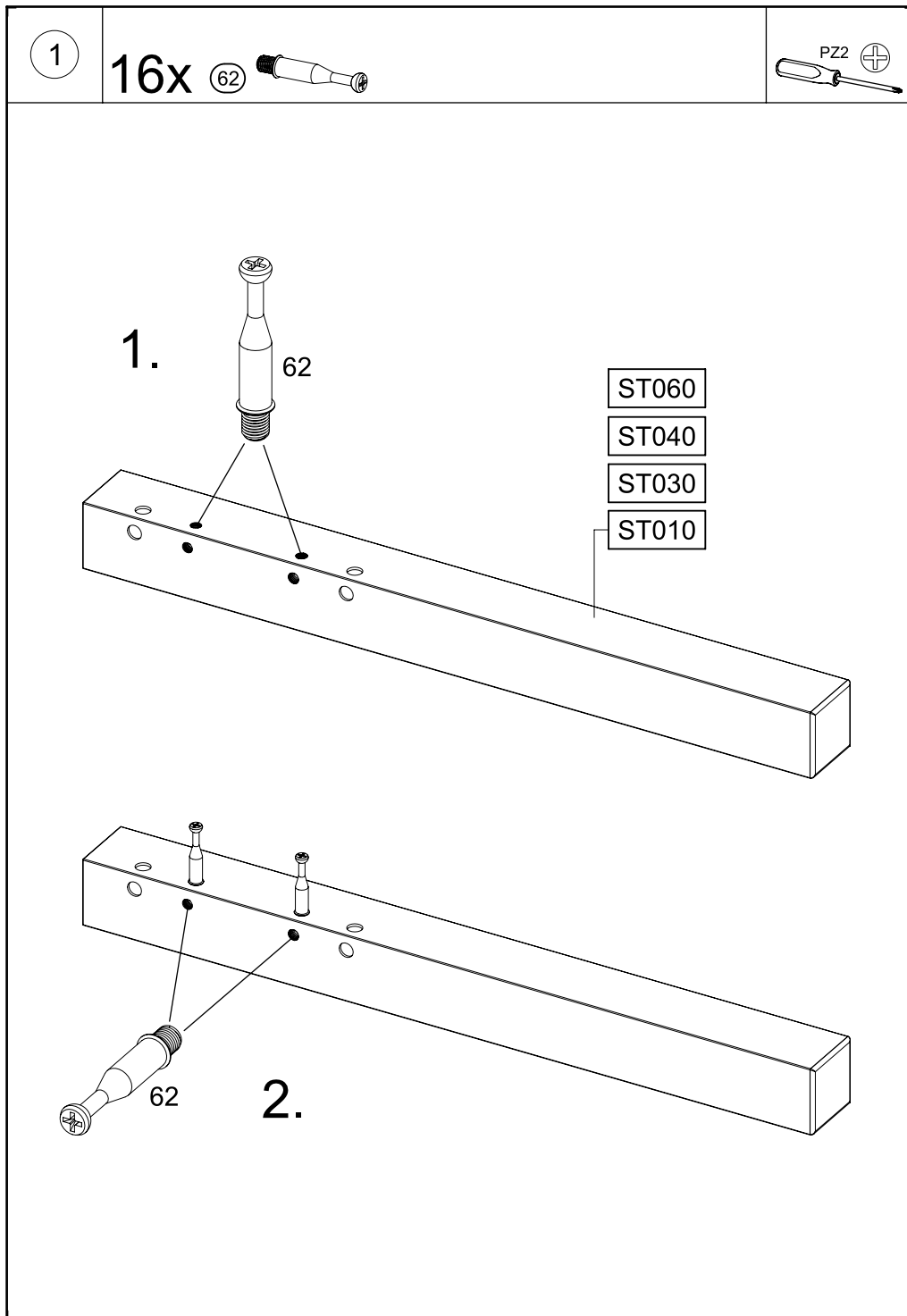


M3046\_01

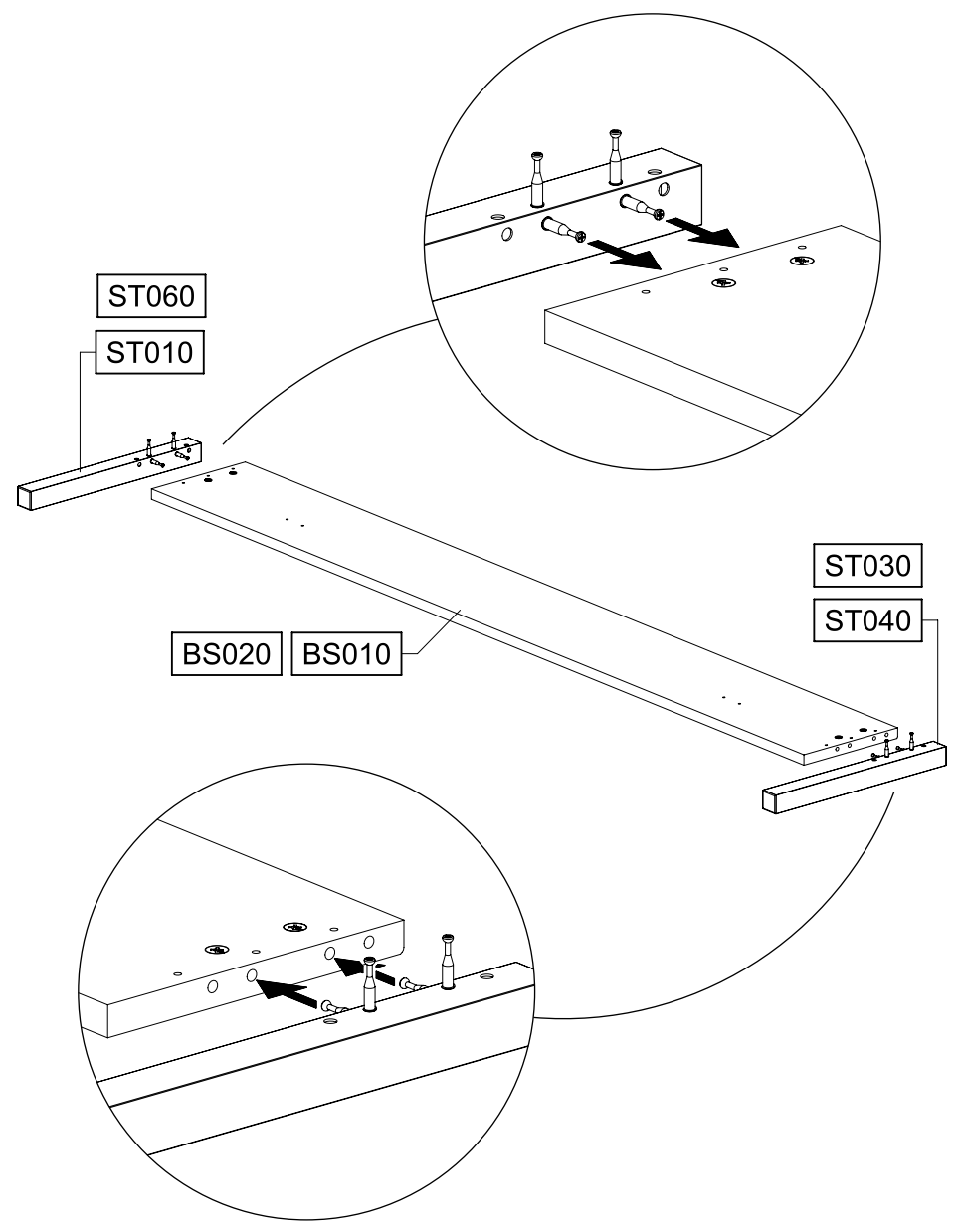


4x 856 	4x 916 	24x 173 
24x 62 	16x 16 8x40 	24x 25 6,3x18 
14x 200 6,3x14 	18x 202 4,5x16 	4x 1474 M6x12 
8x 581 10/5x22 	8x 525 4x40 	6x 427 4x20 
4x 887 148x25x25 	2x 1119 	
2x 1118 		

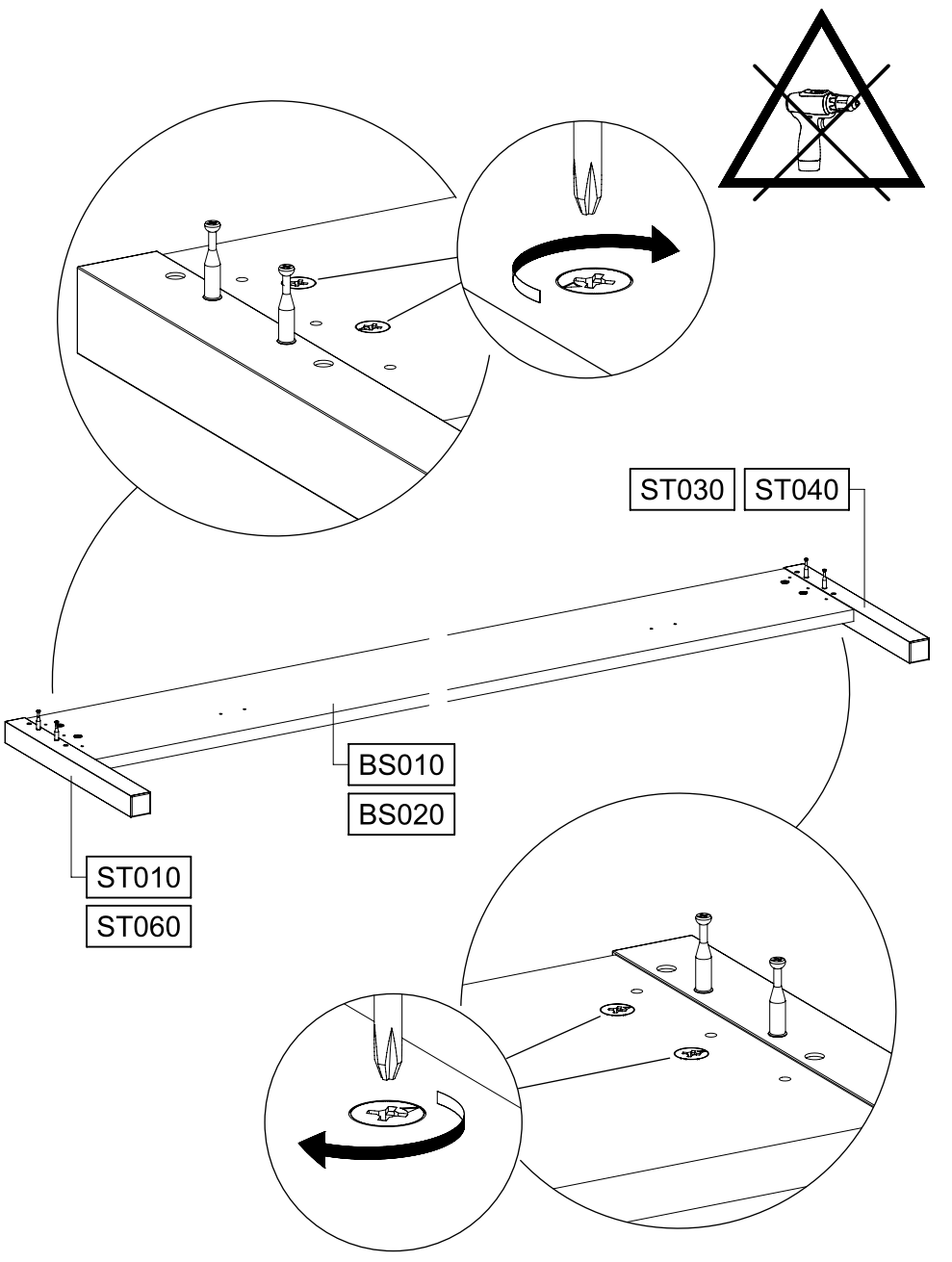




3

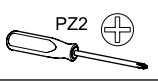


4

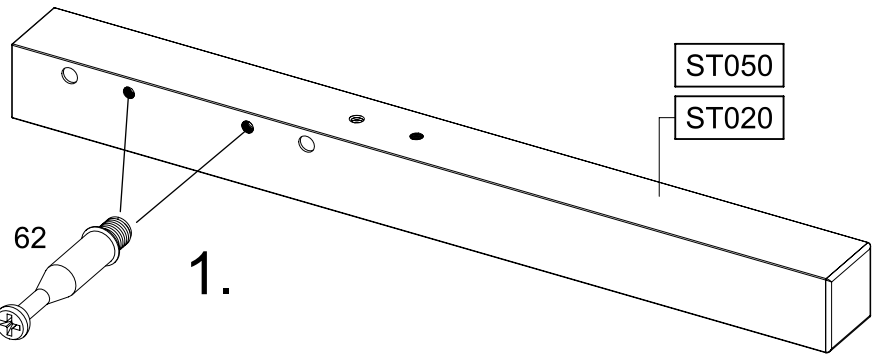


5

8x 62



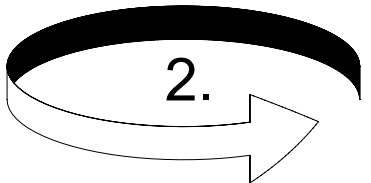
PZ2



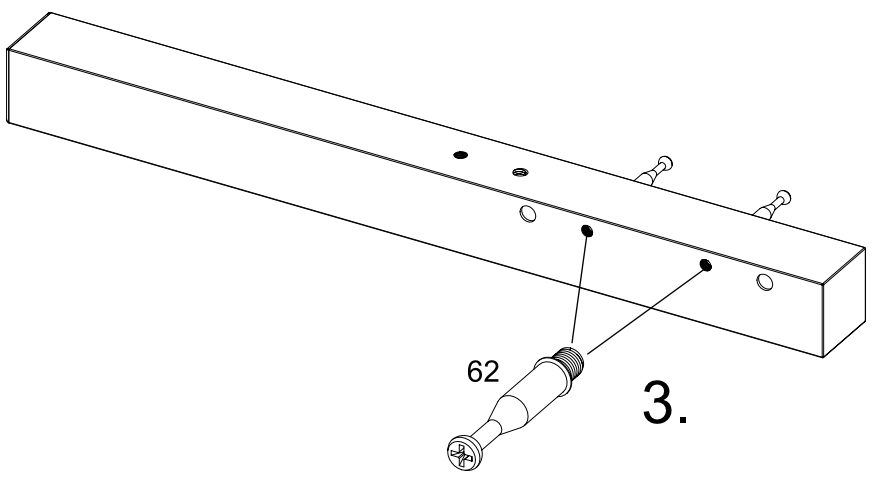
ST050

ST020

1.



2.

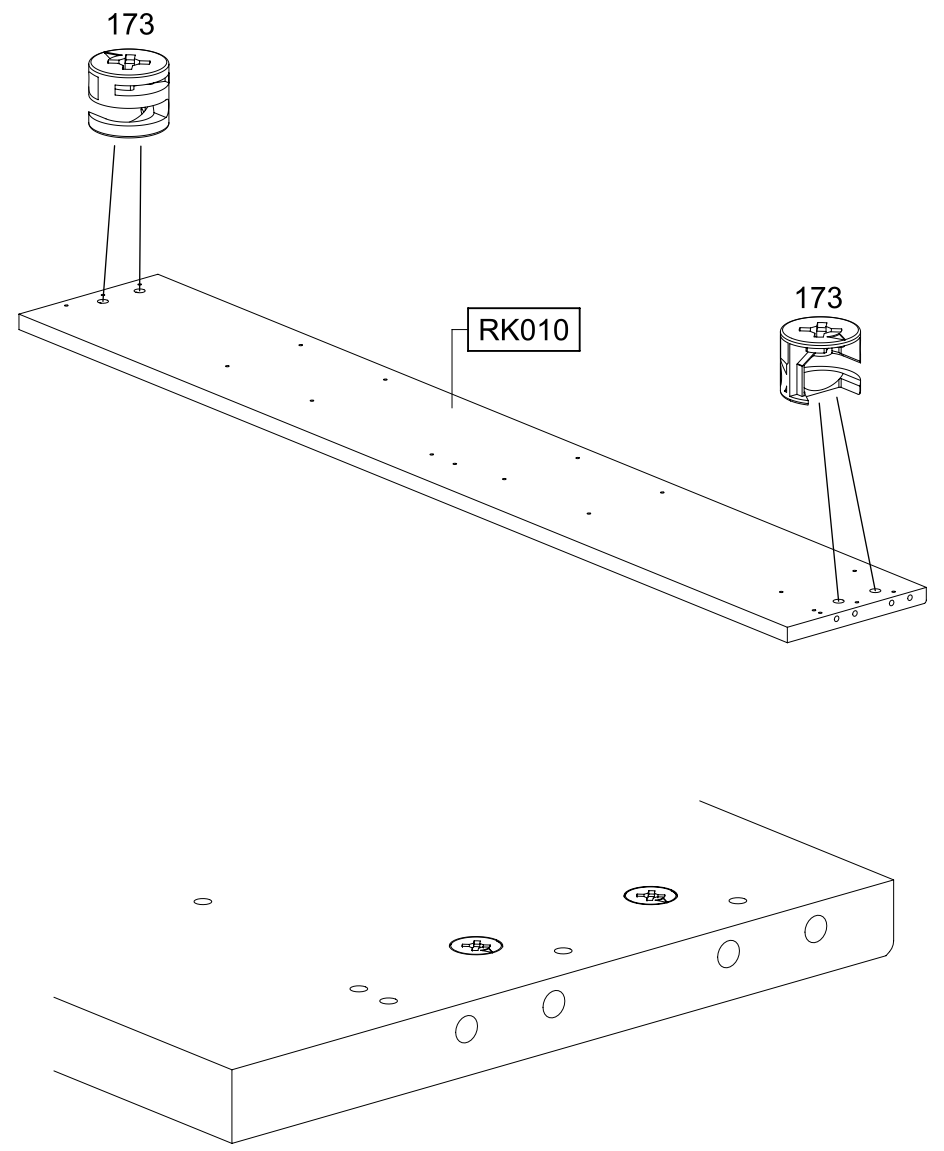


62

3.

6

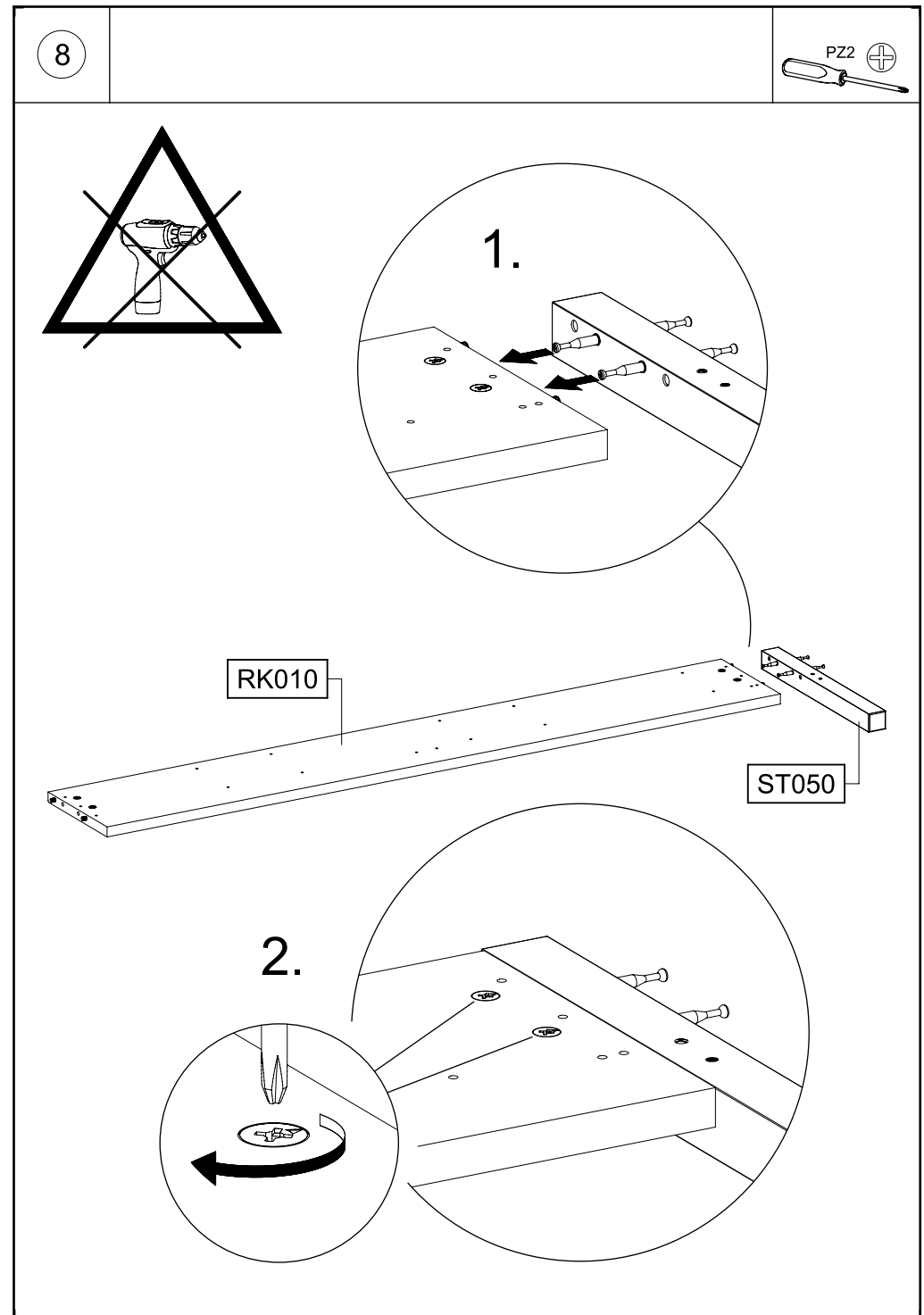
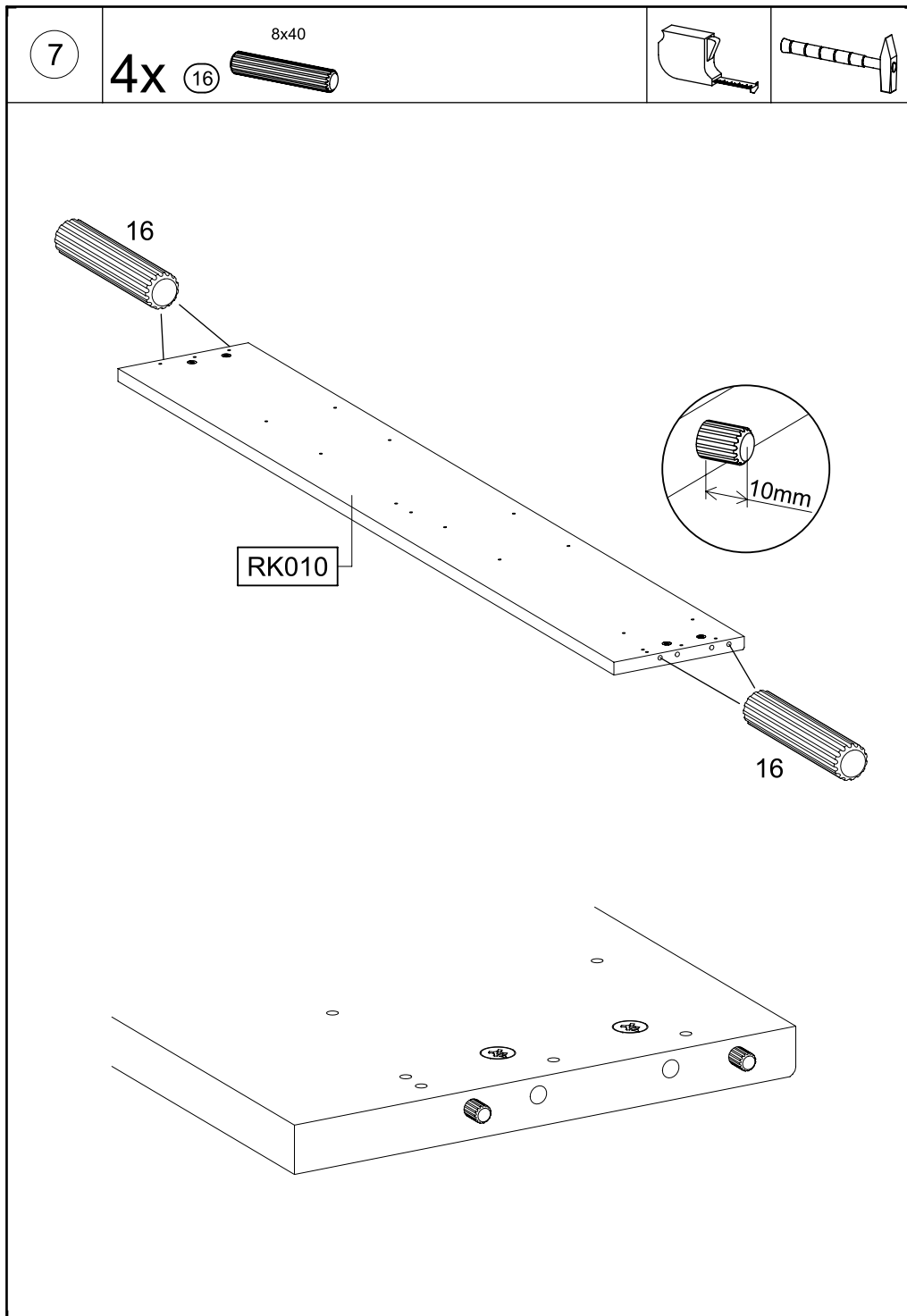
4x 173



173

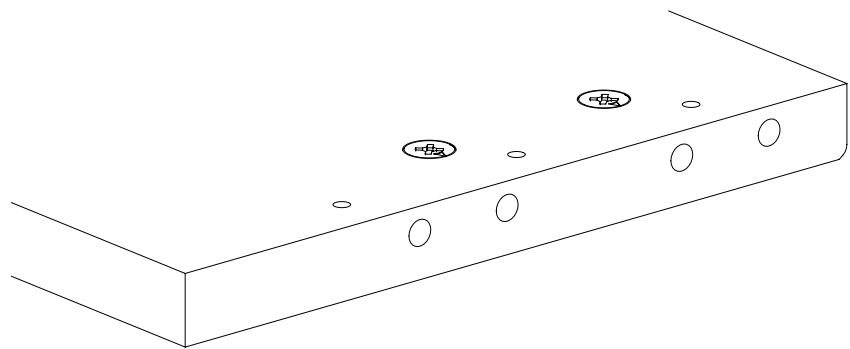
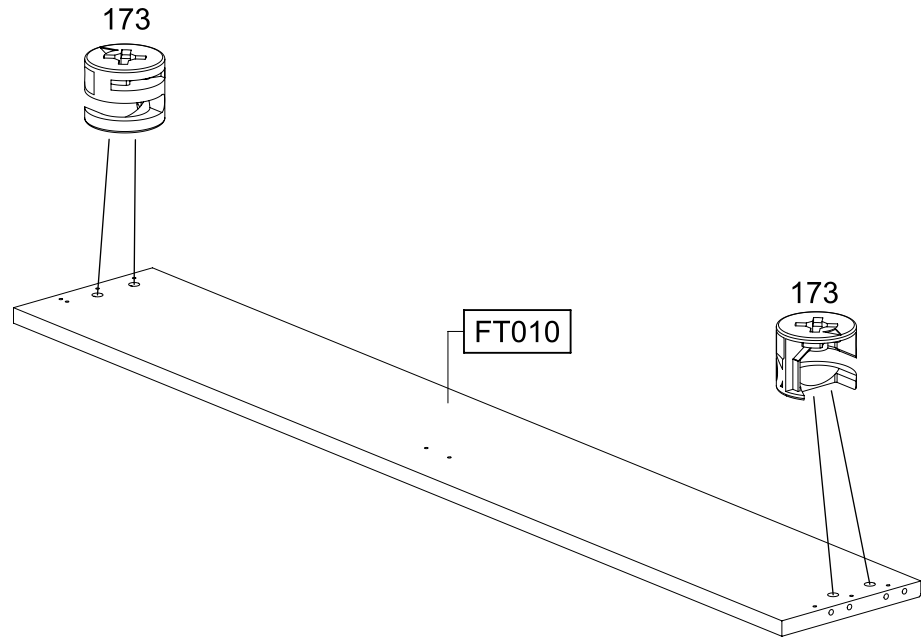
RK010

173




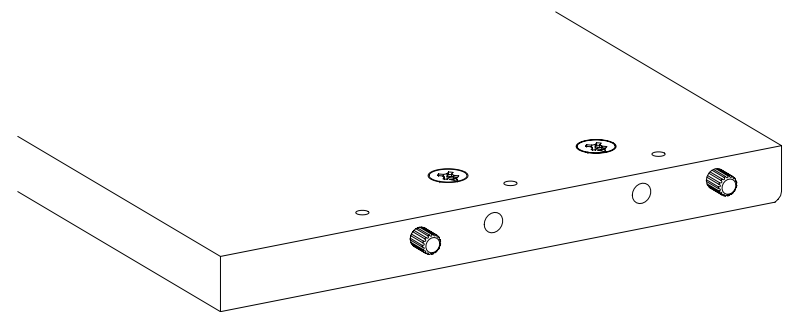
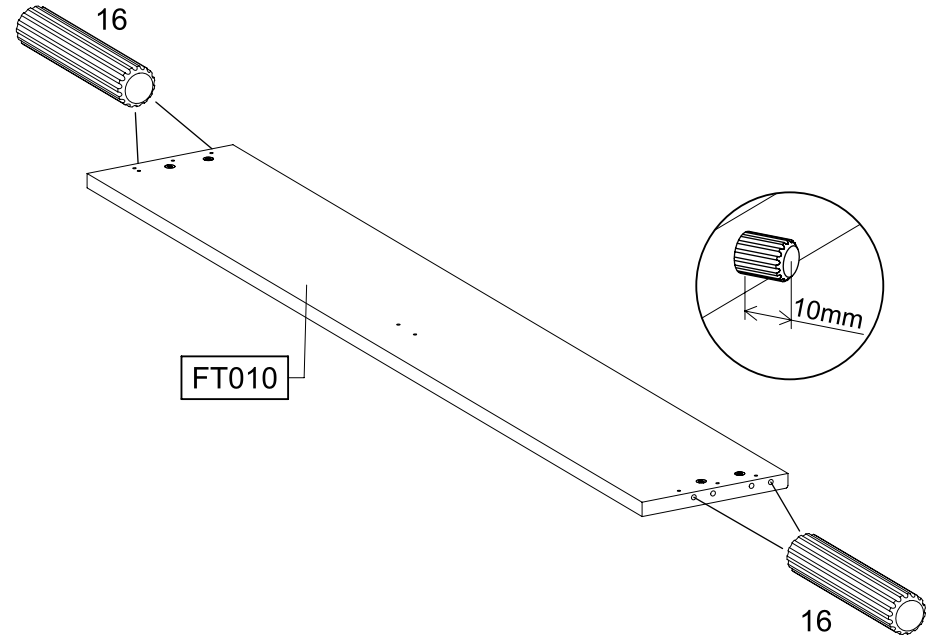
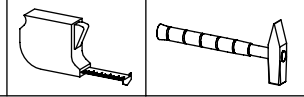
9

4x 173 

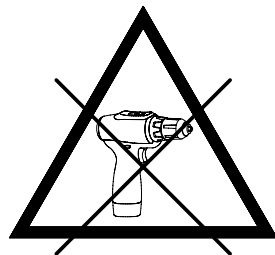
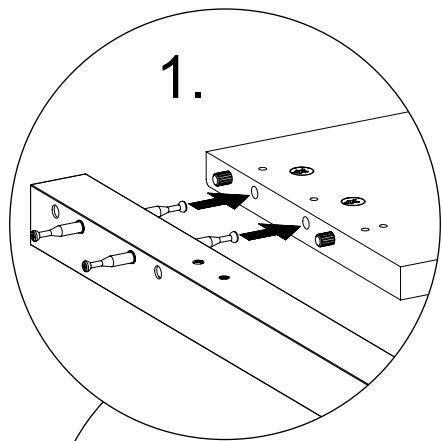
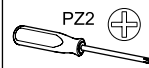


10

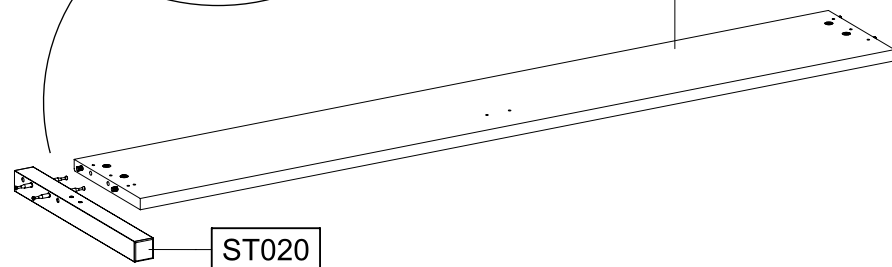
4x 16 8x40 



11

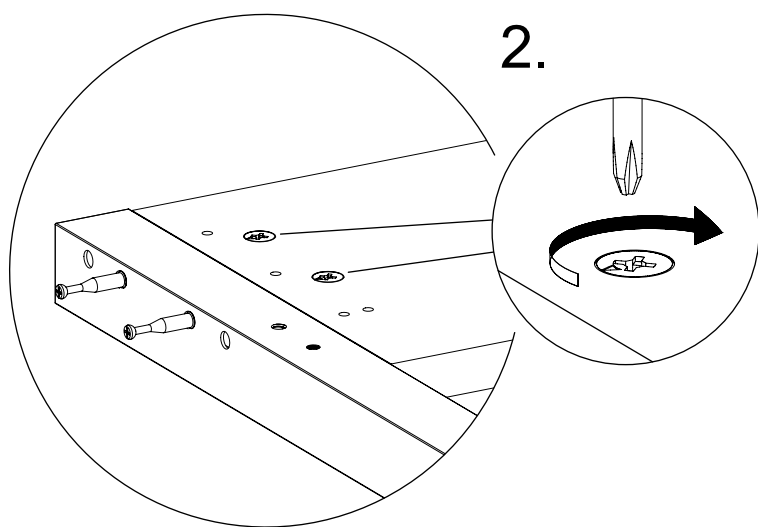


FT010

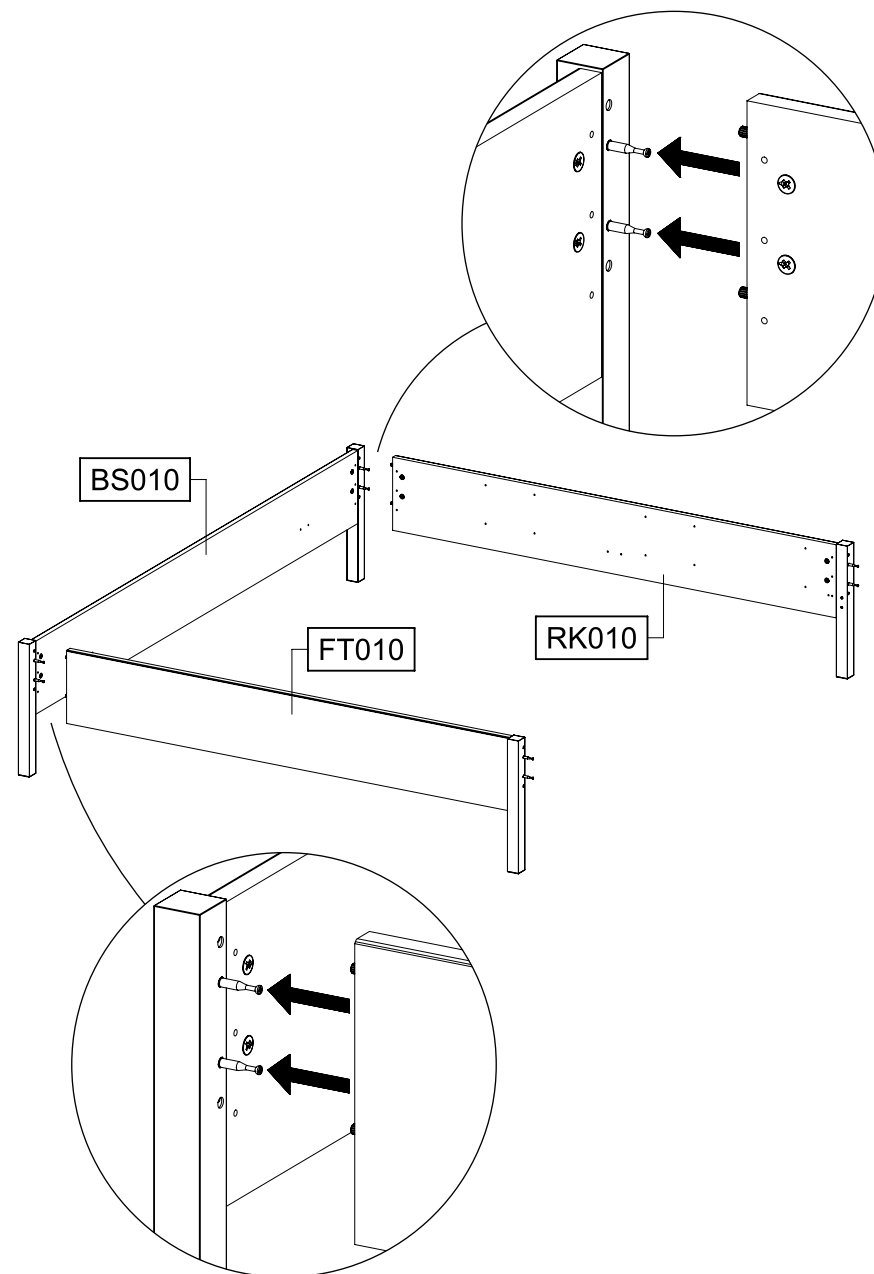


ST020

2.



12

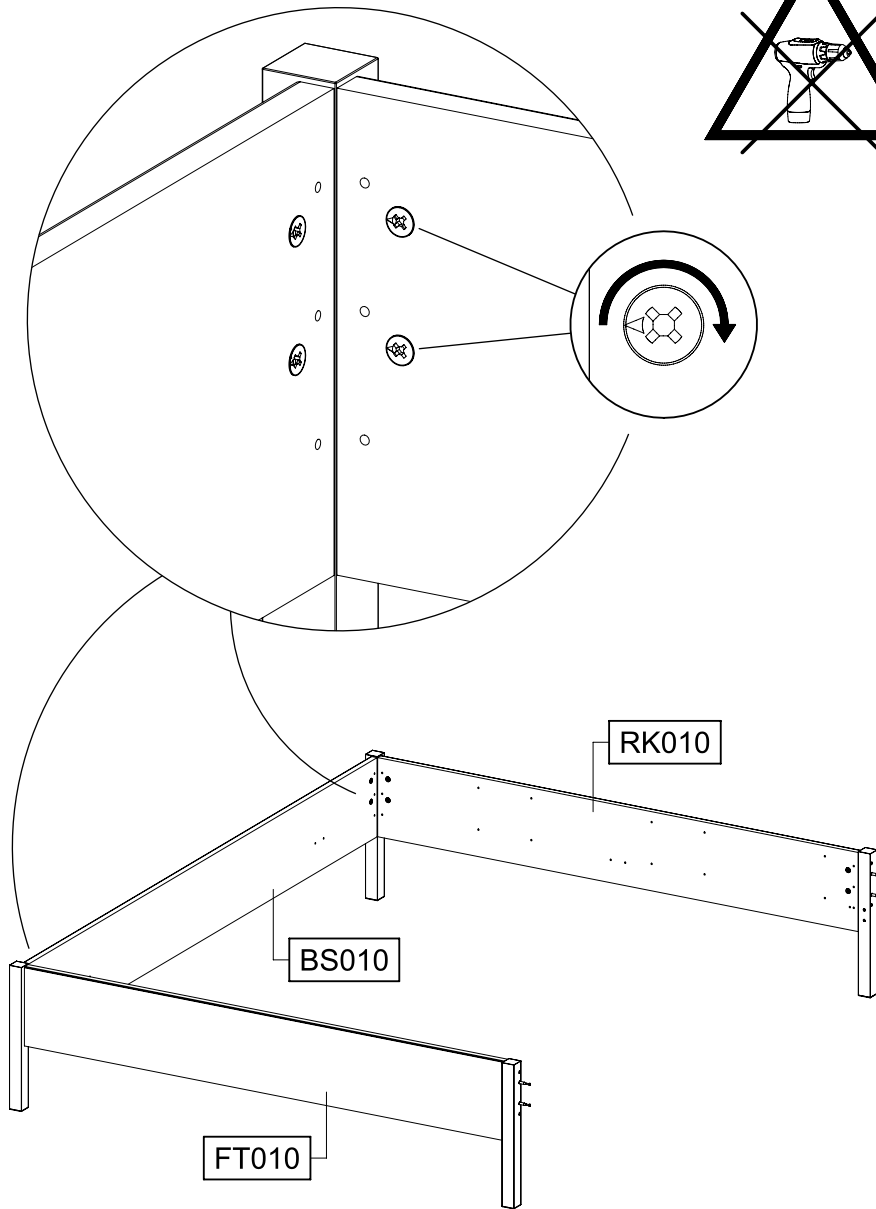
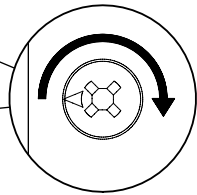
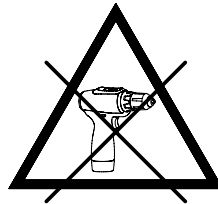
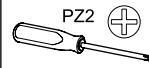


BS010

FT010

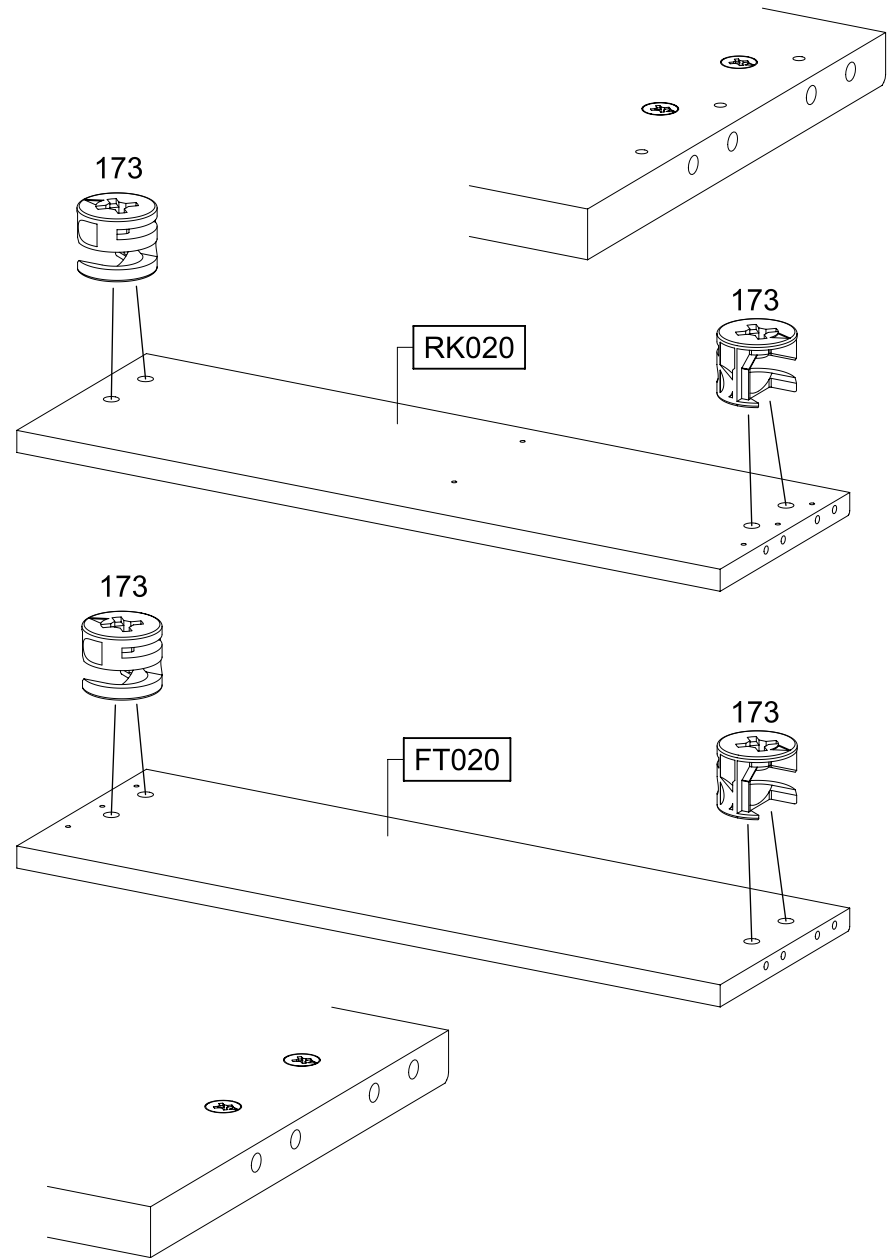
RK010

13



14

8x 173

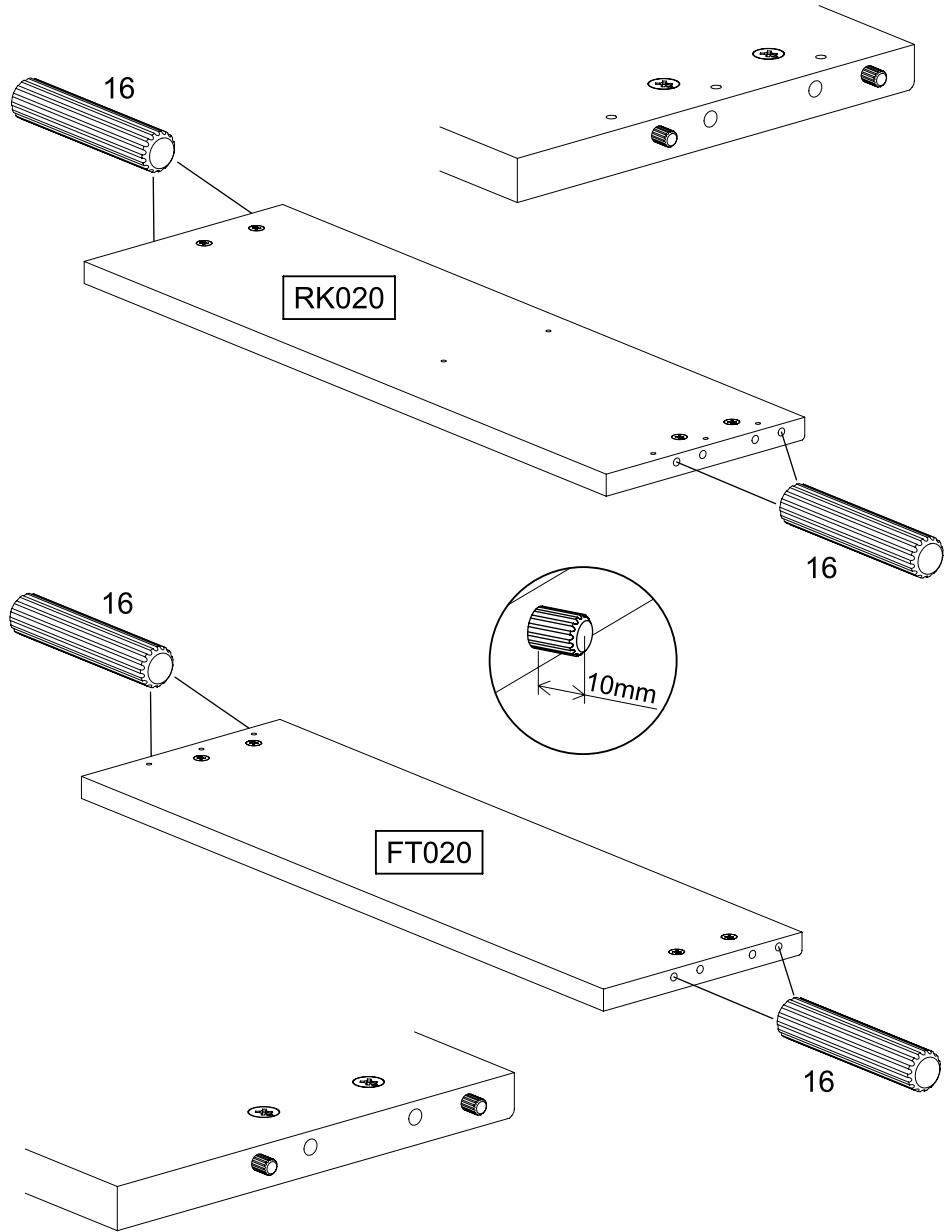
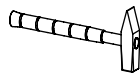
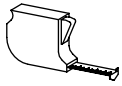


15

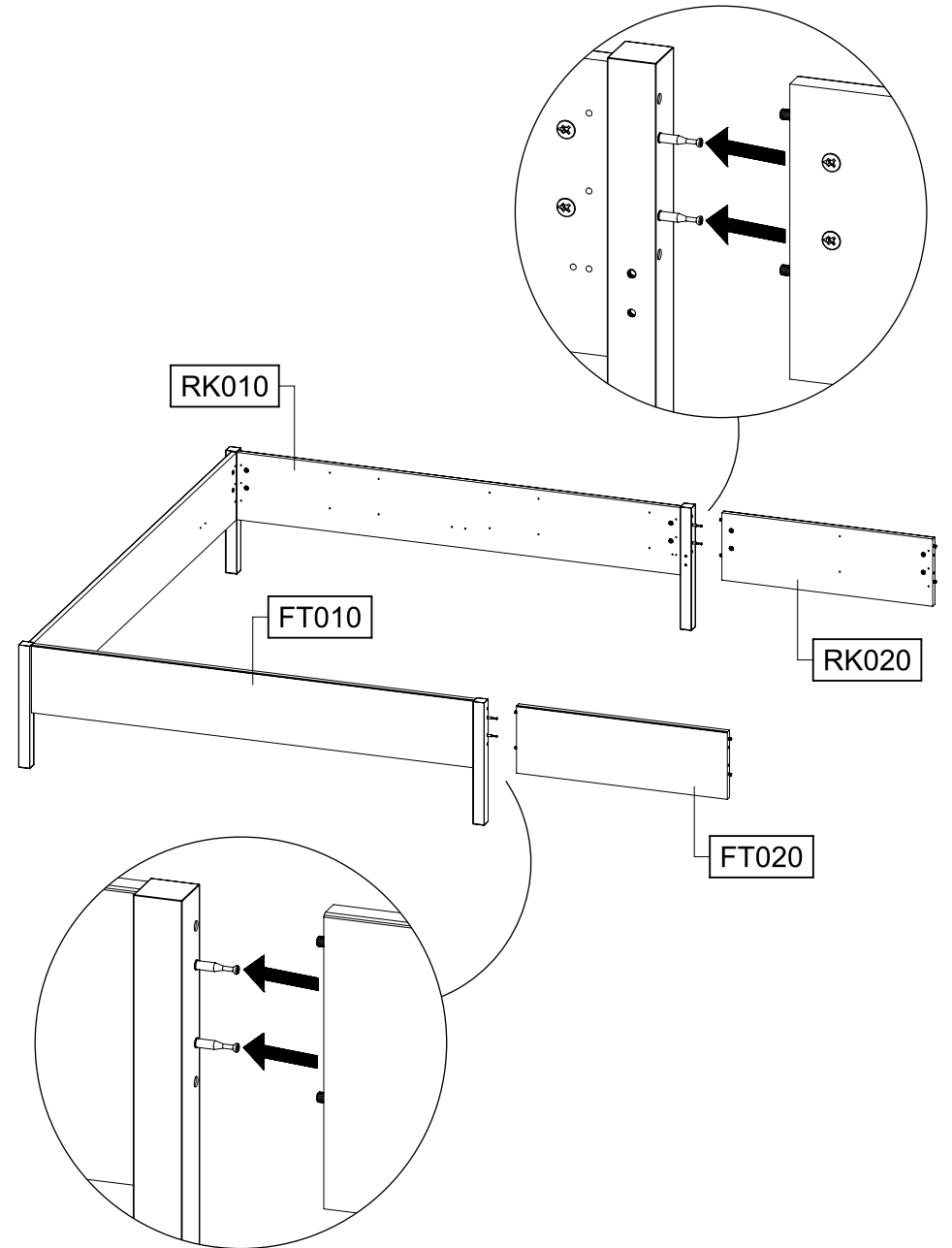
8x

16

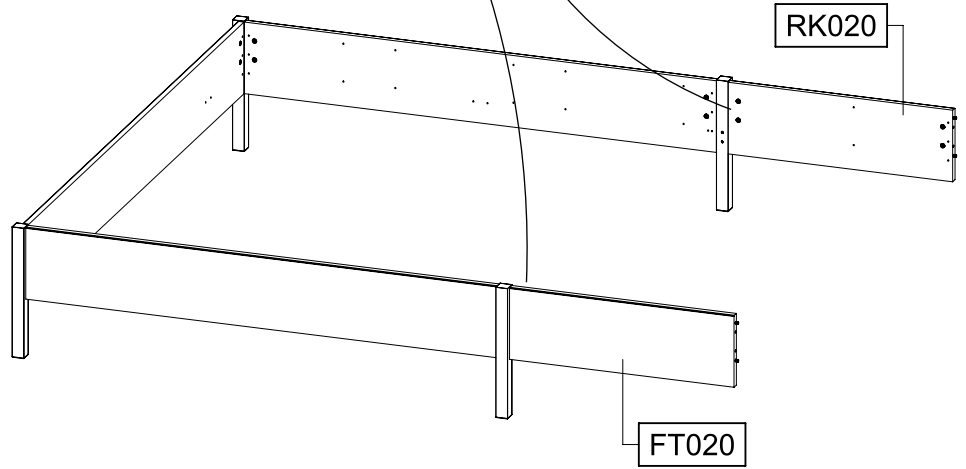
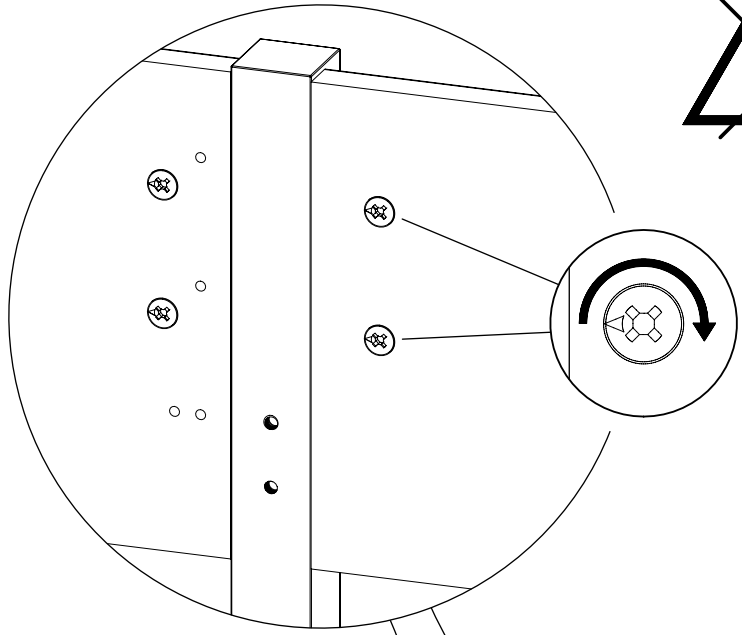
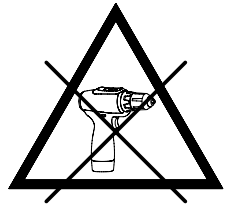
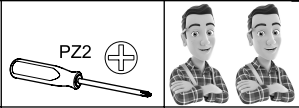
8x40



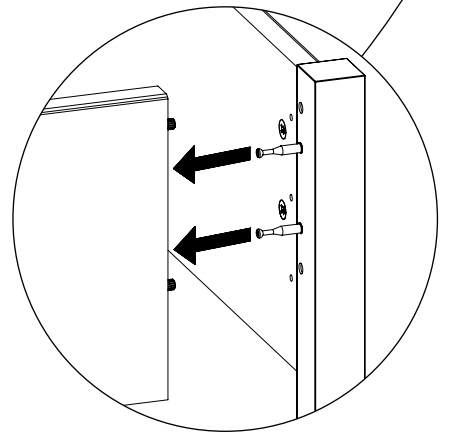
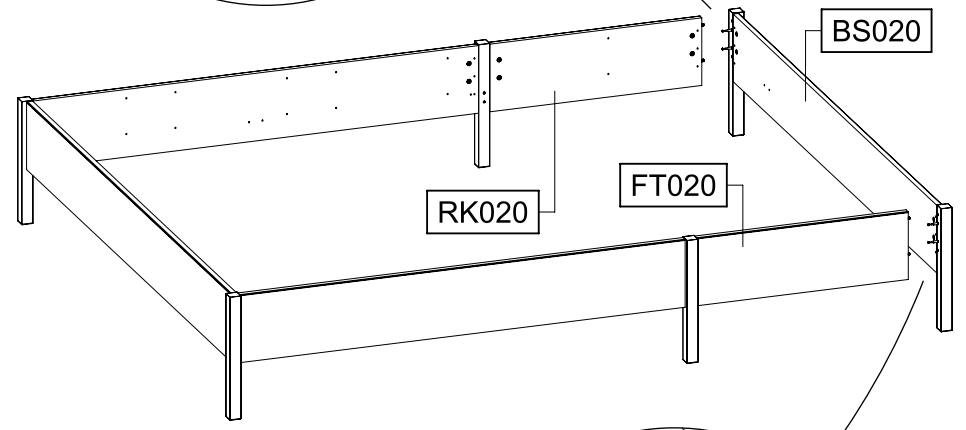
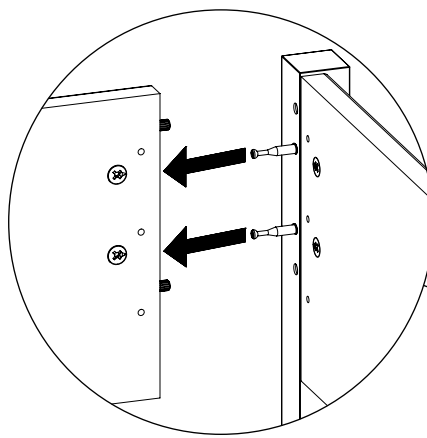
16



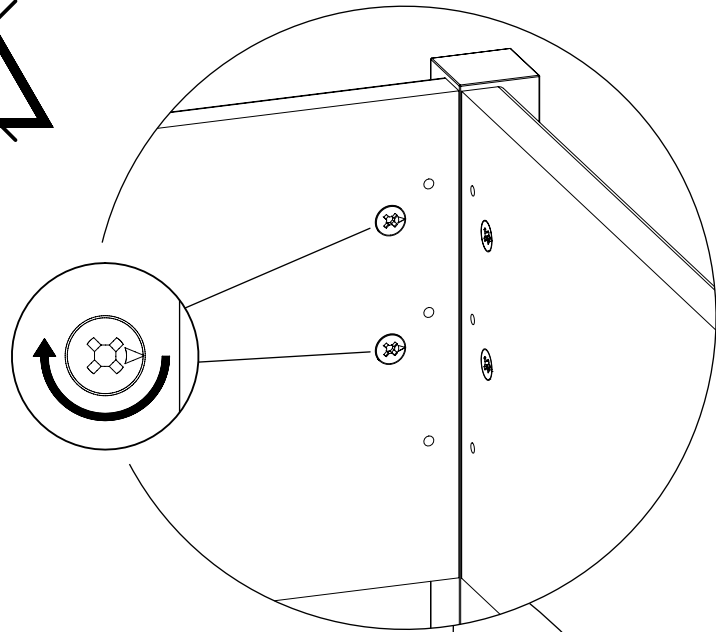
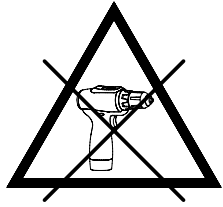
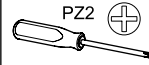
17



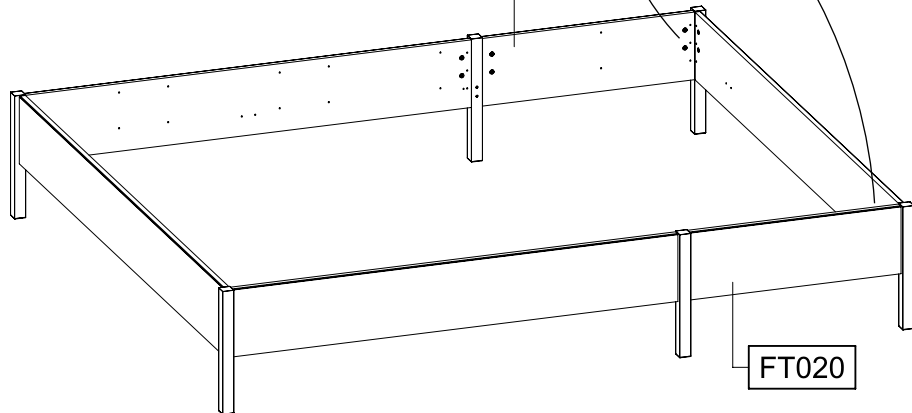
18



19



RK020



FT020

20

24x

25

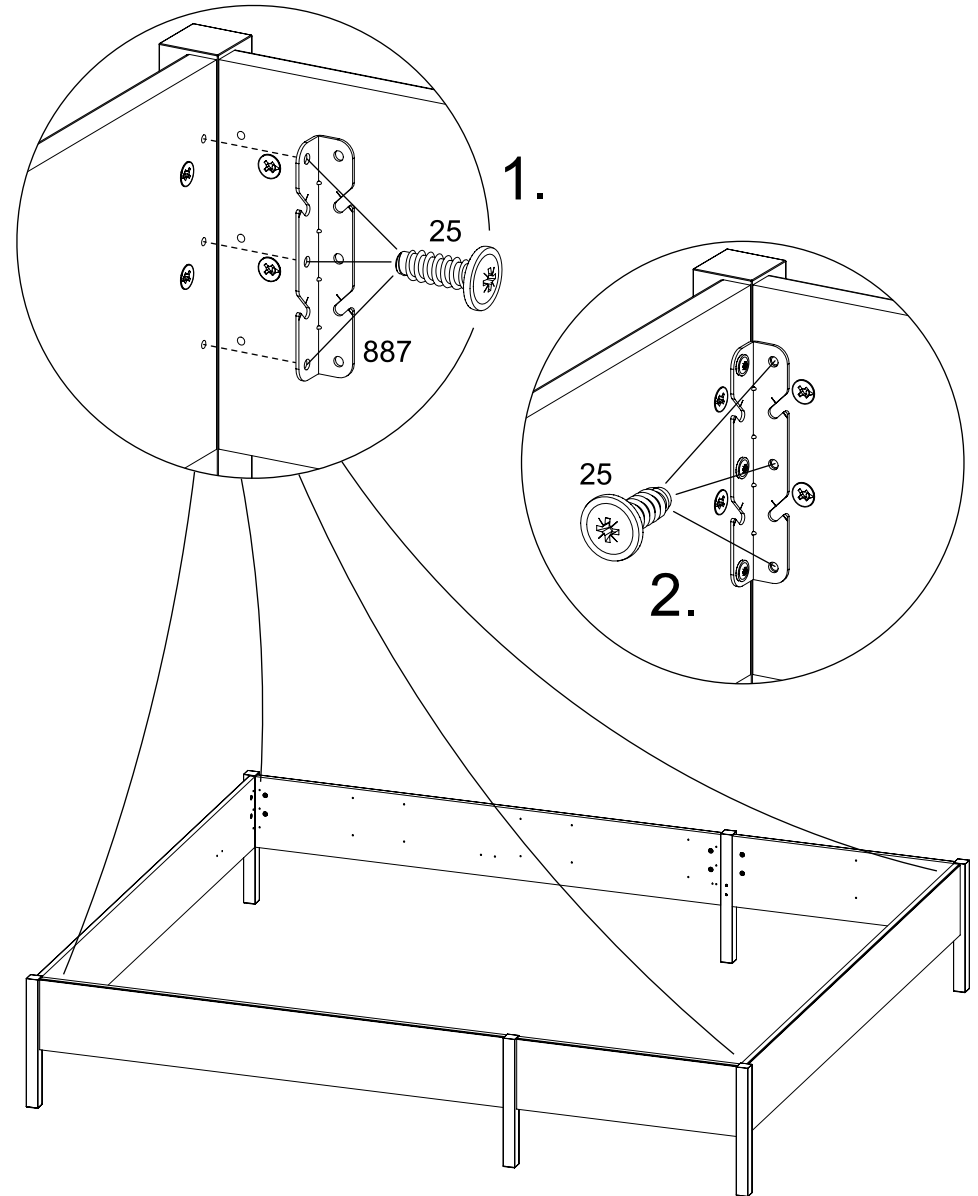
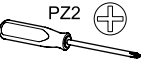
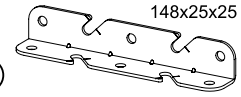
6,3x18



4x

887

148x25x25



1.

25

887

25

2.

21

4x

200

6,3x14



4x

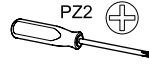
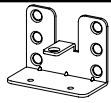
202

4,5x16



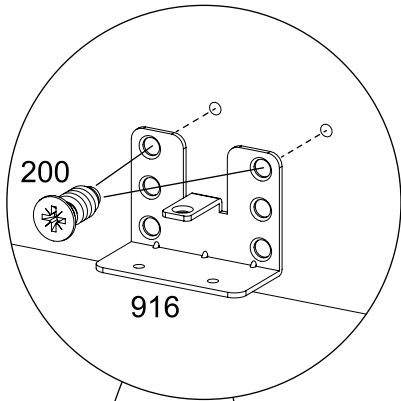
2x

916



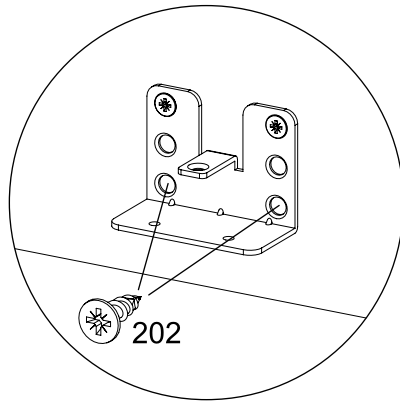
PZ2

1.



916

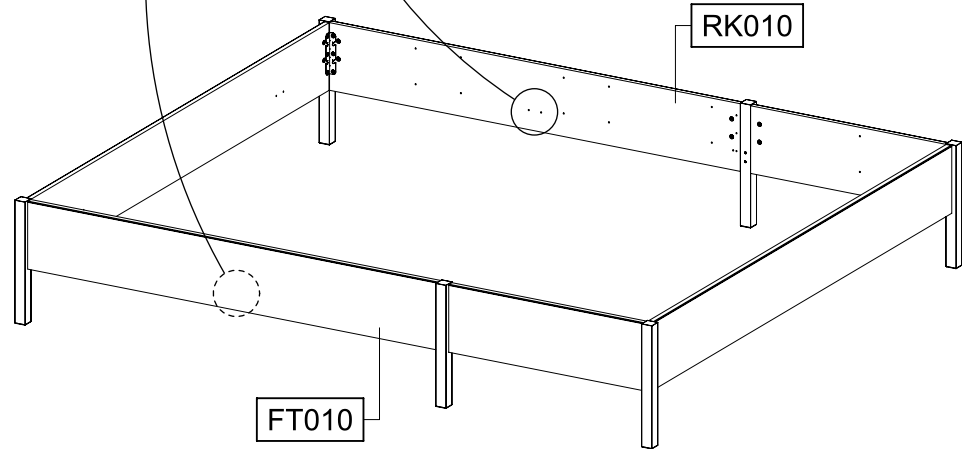
2.



202

RK010

FT010



22

2x

200

6,3x14



2x

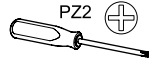
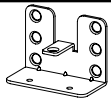
202

4,5x16



2x

916



PZ2

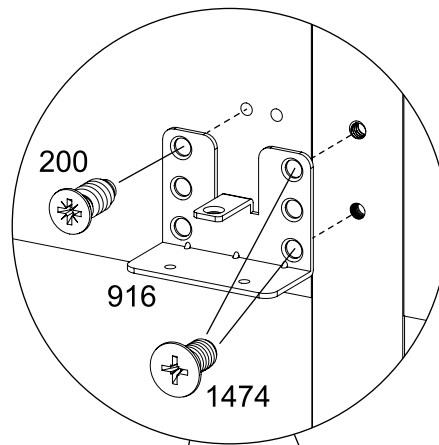
4x

1474

M6x12



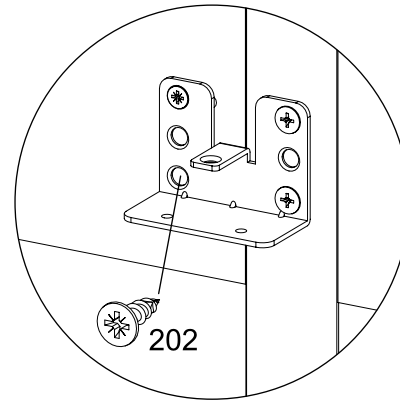
1.



916

1474

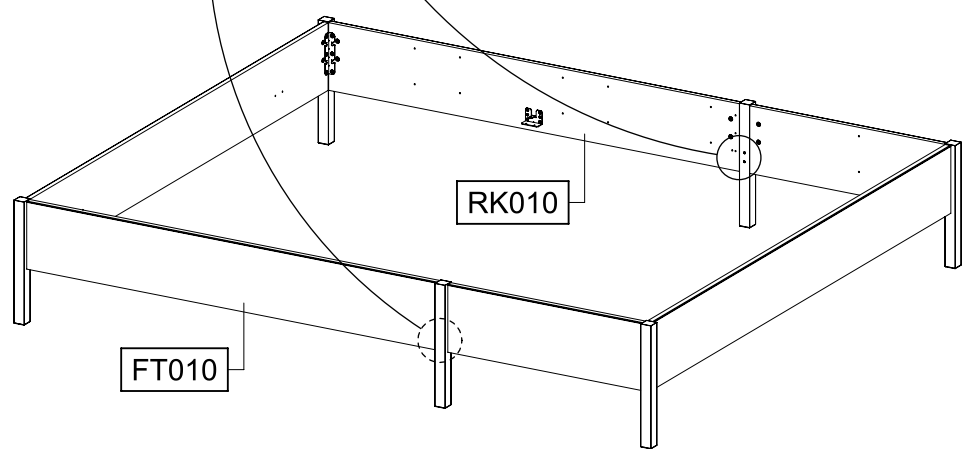
2.

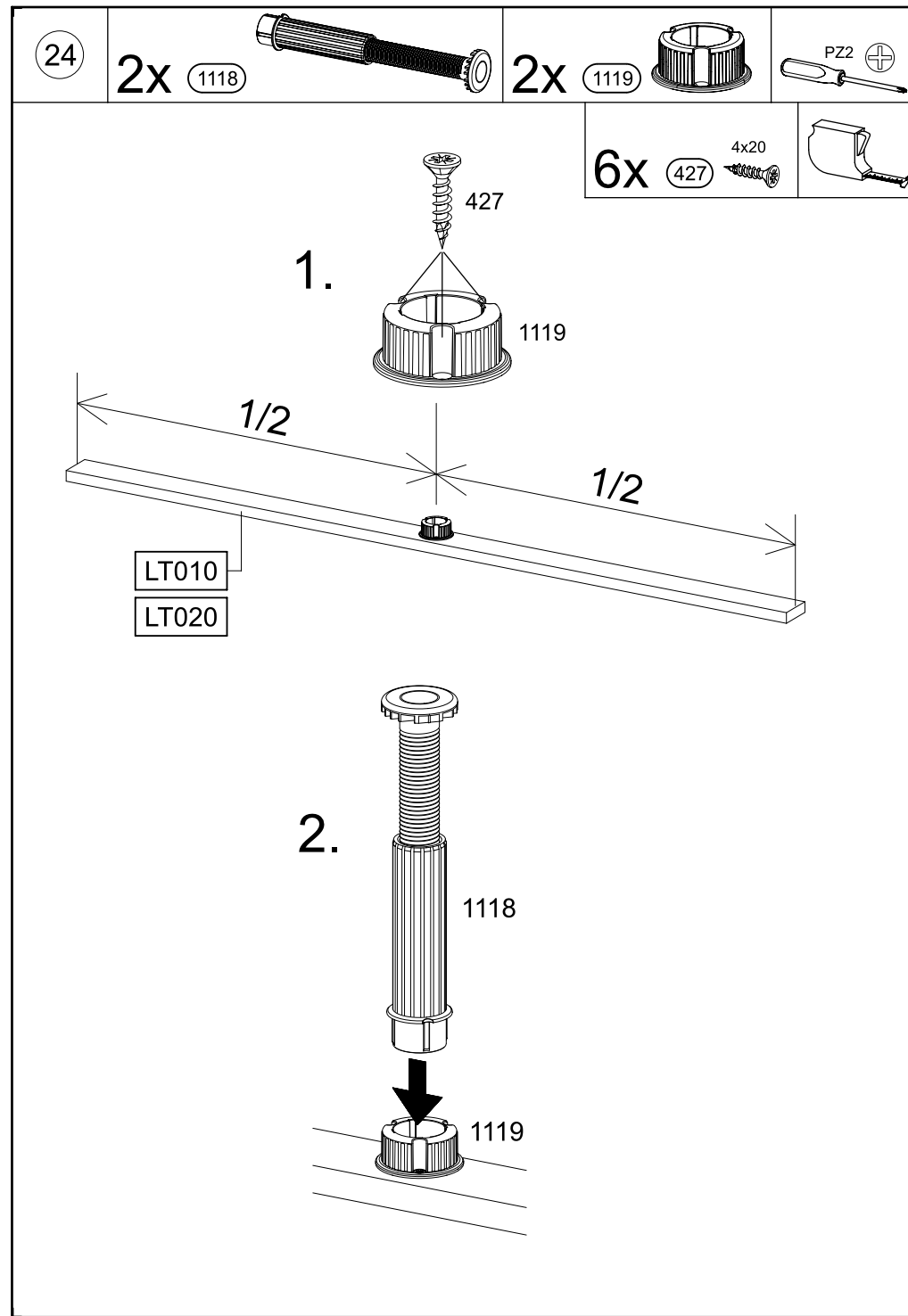
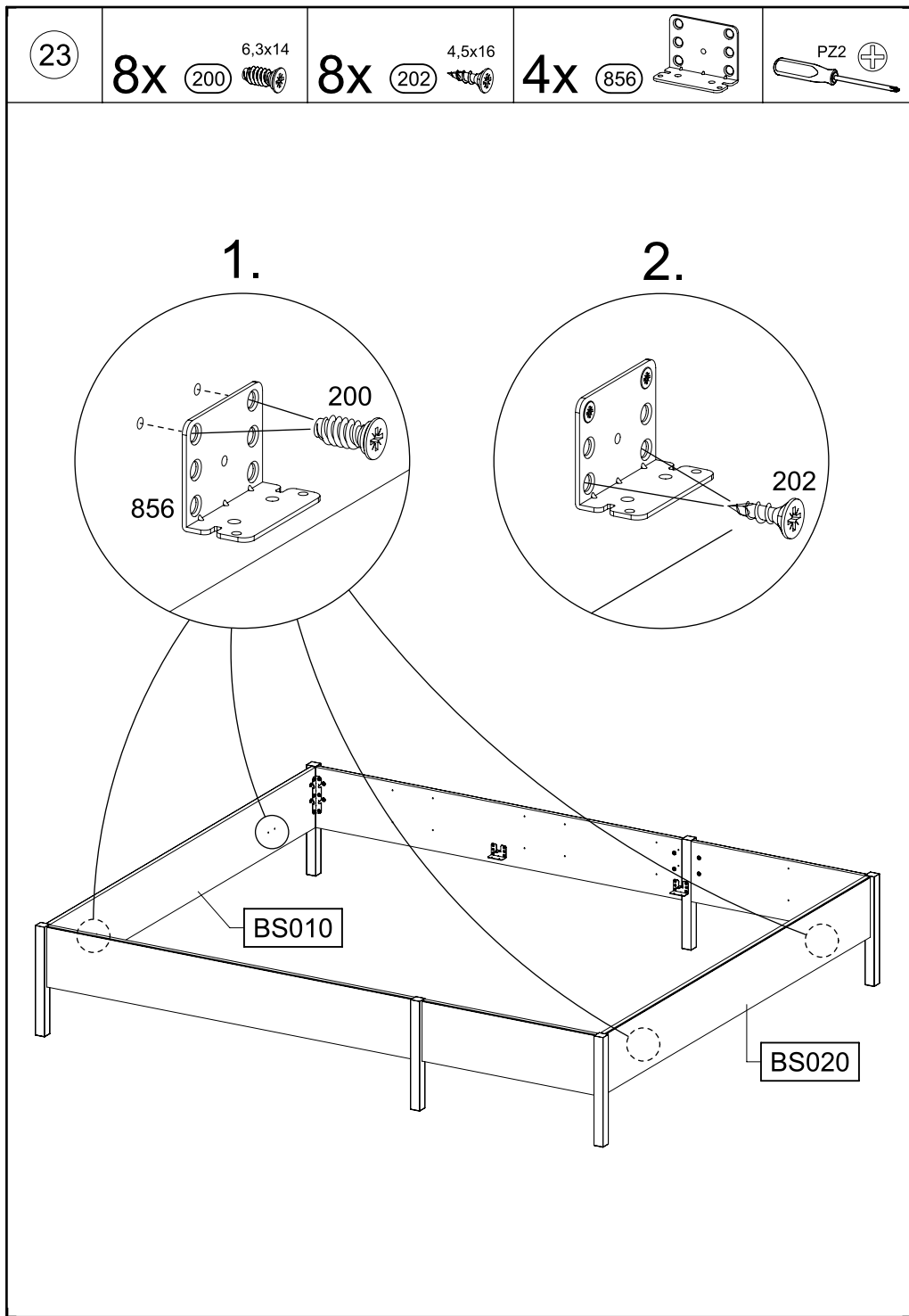


202

RK010

FT010



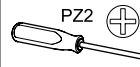


25

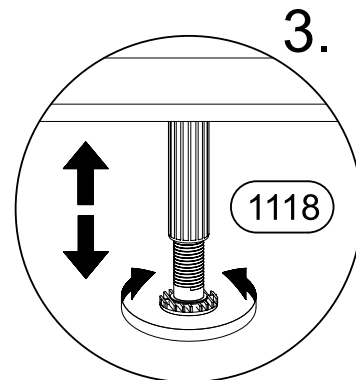
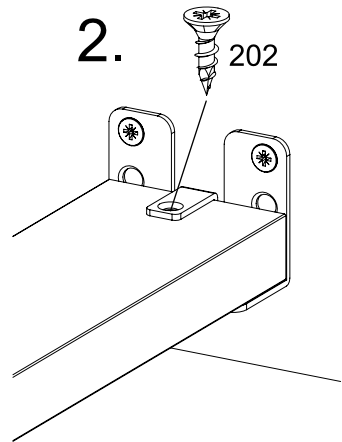
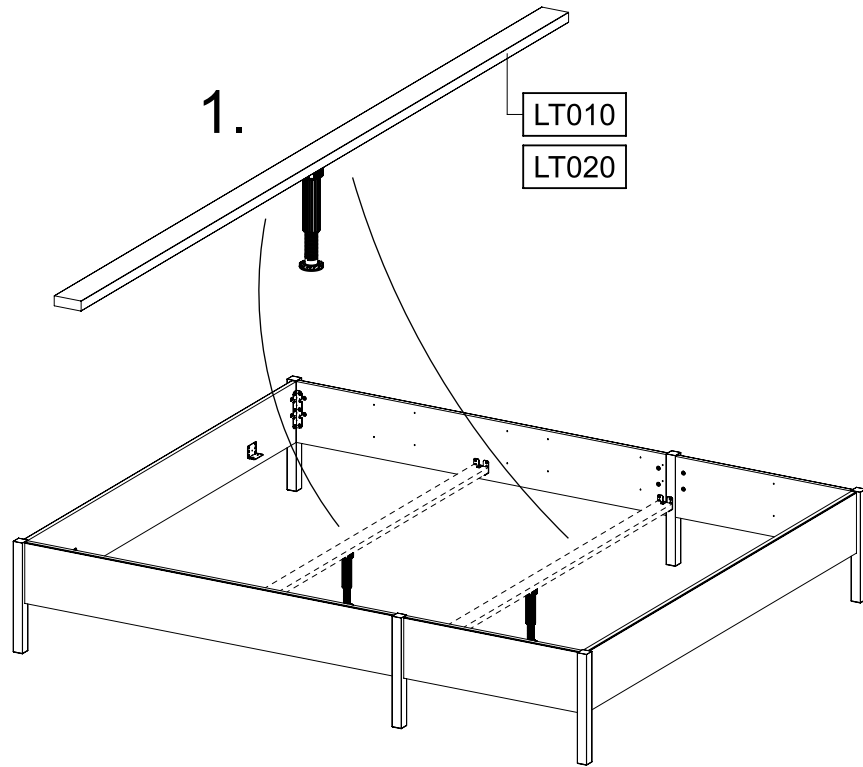
4x

202

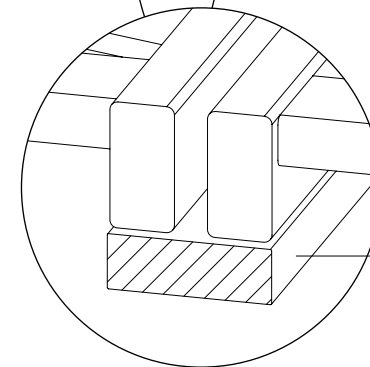
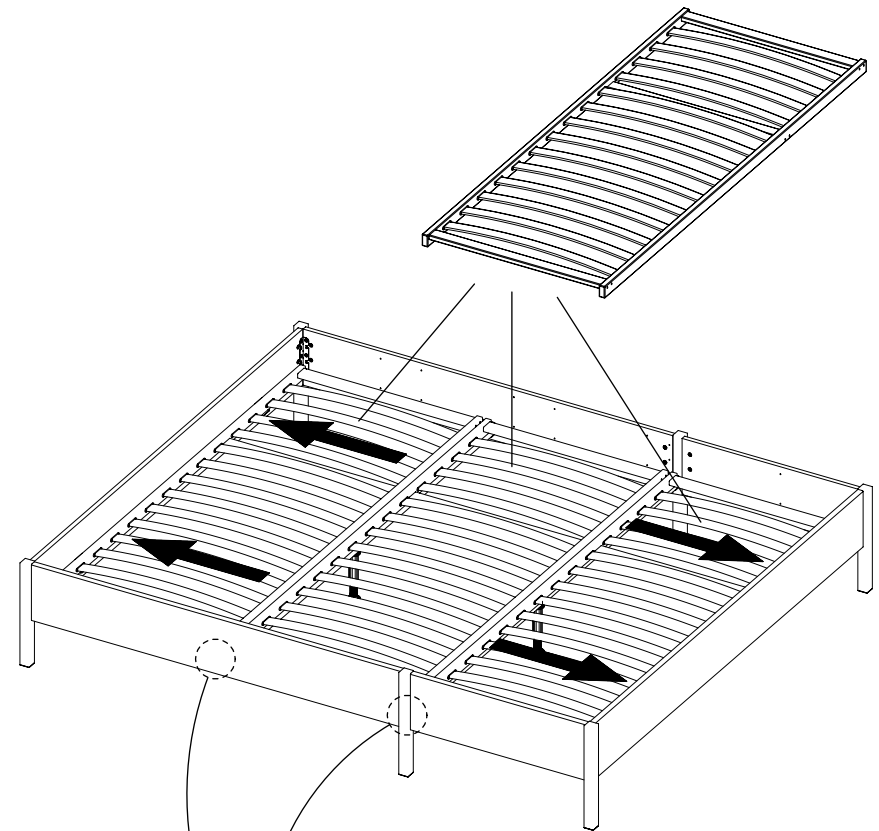
4,5x16



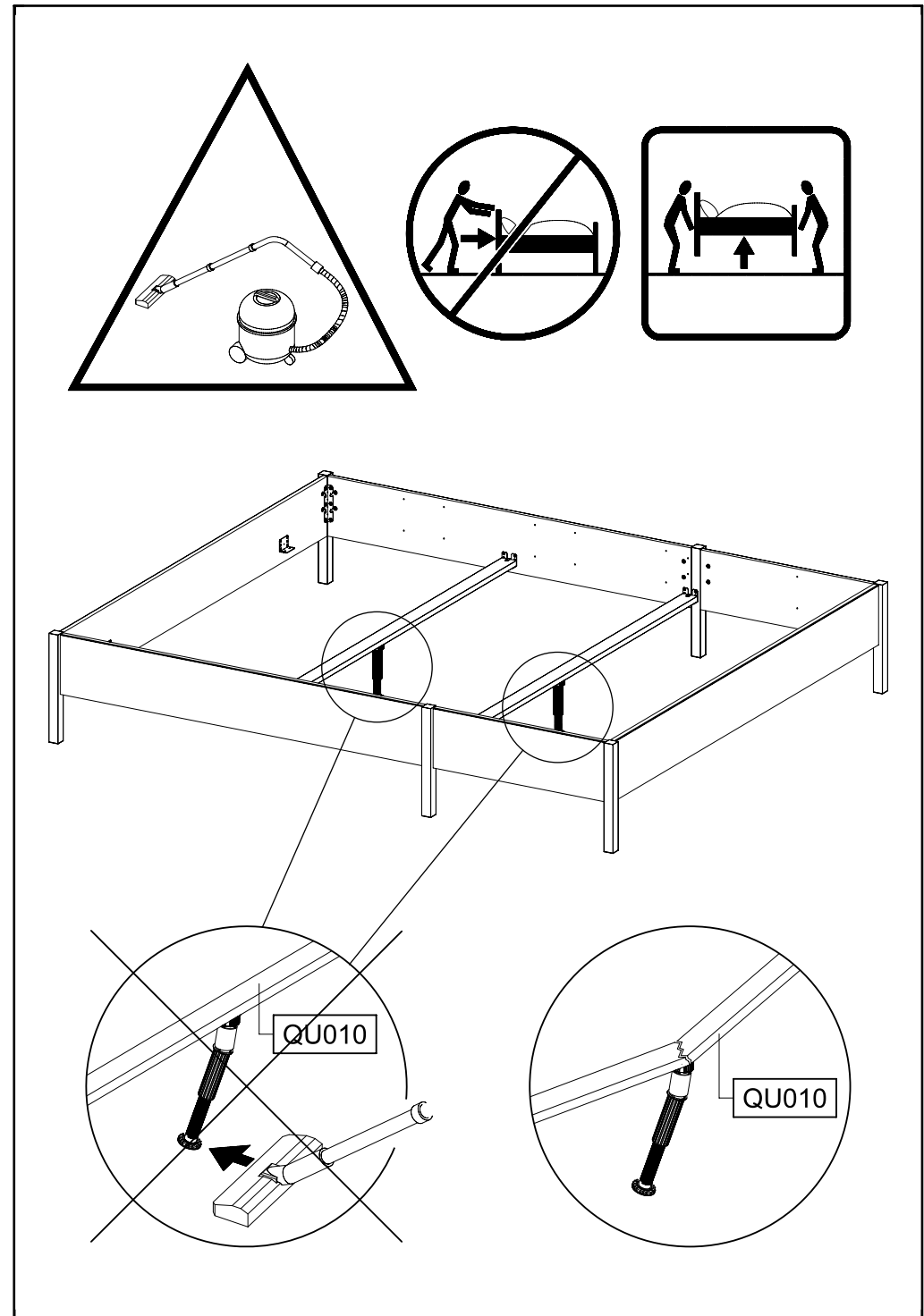
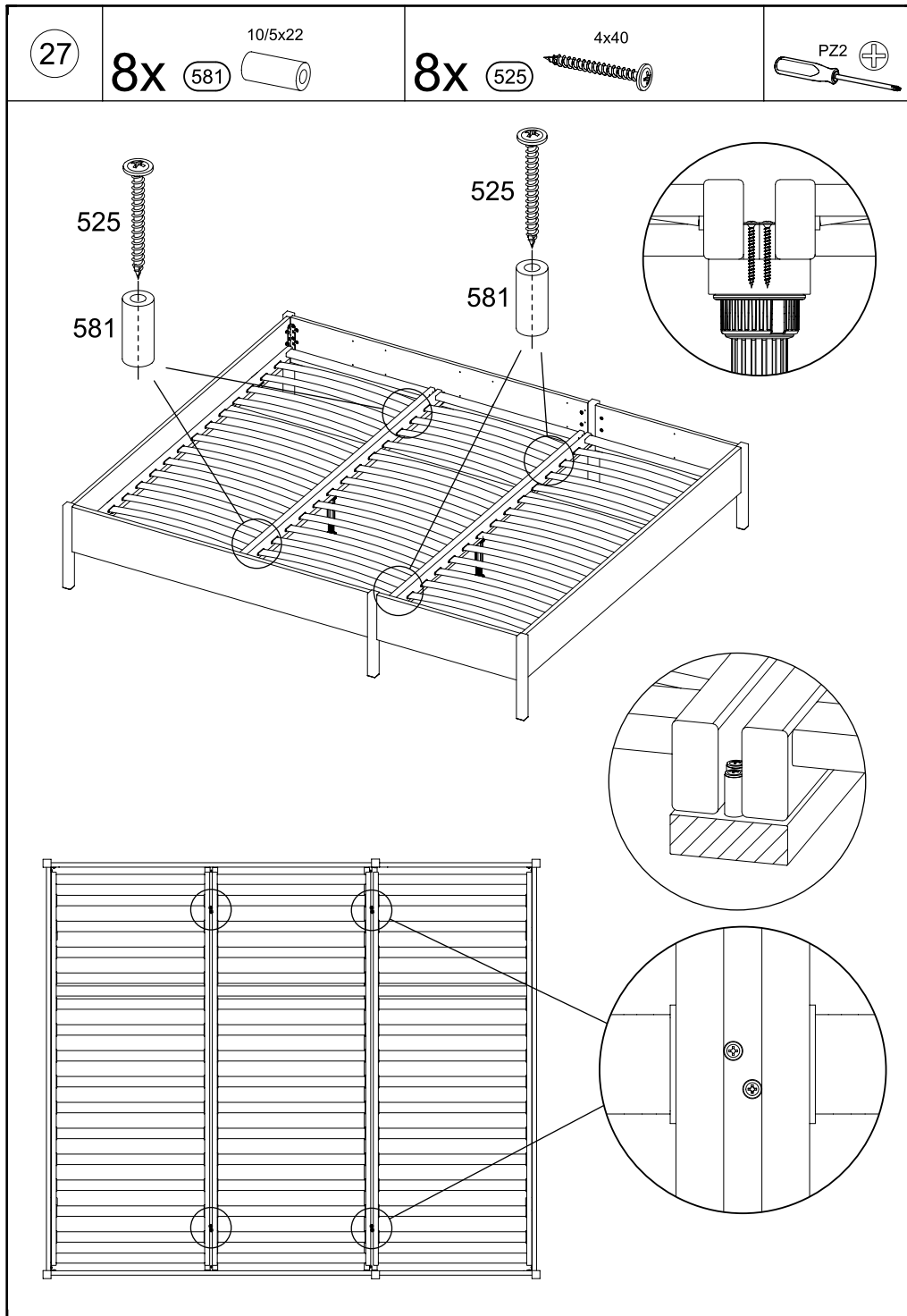
PZ2

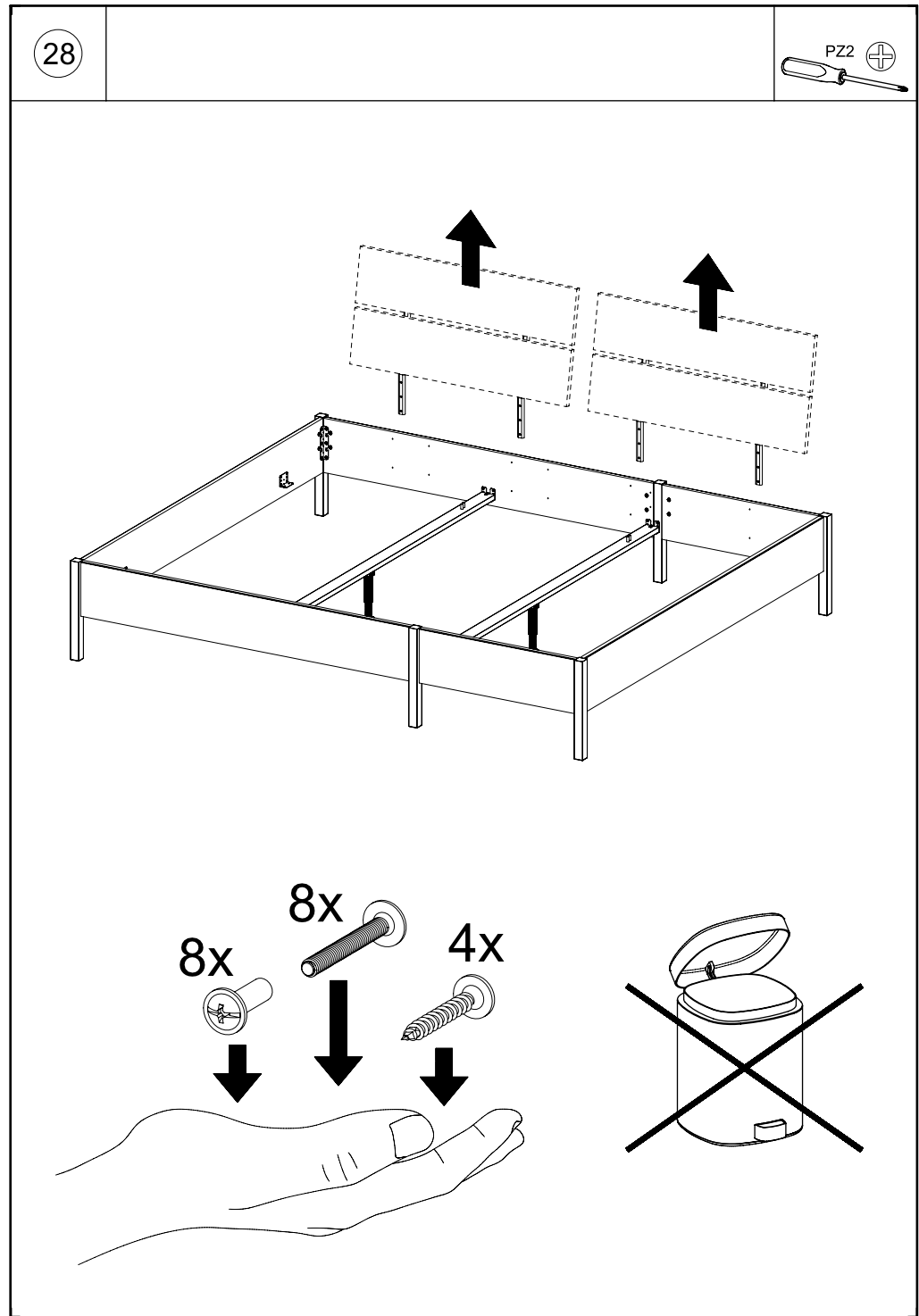
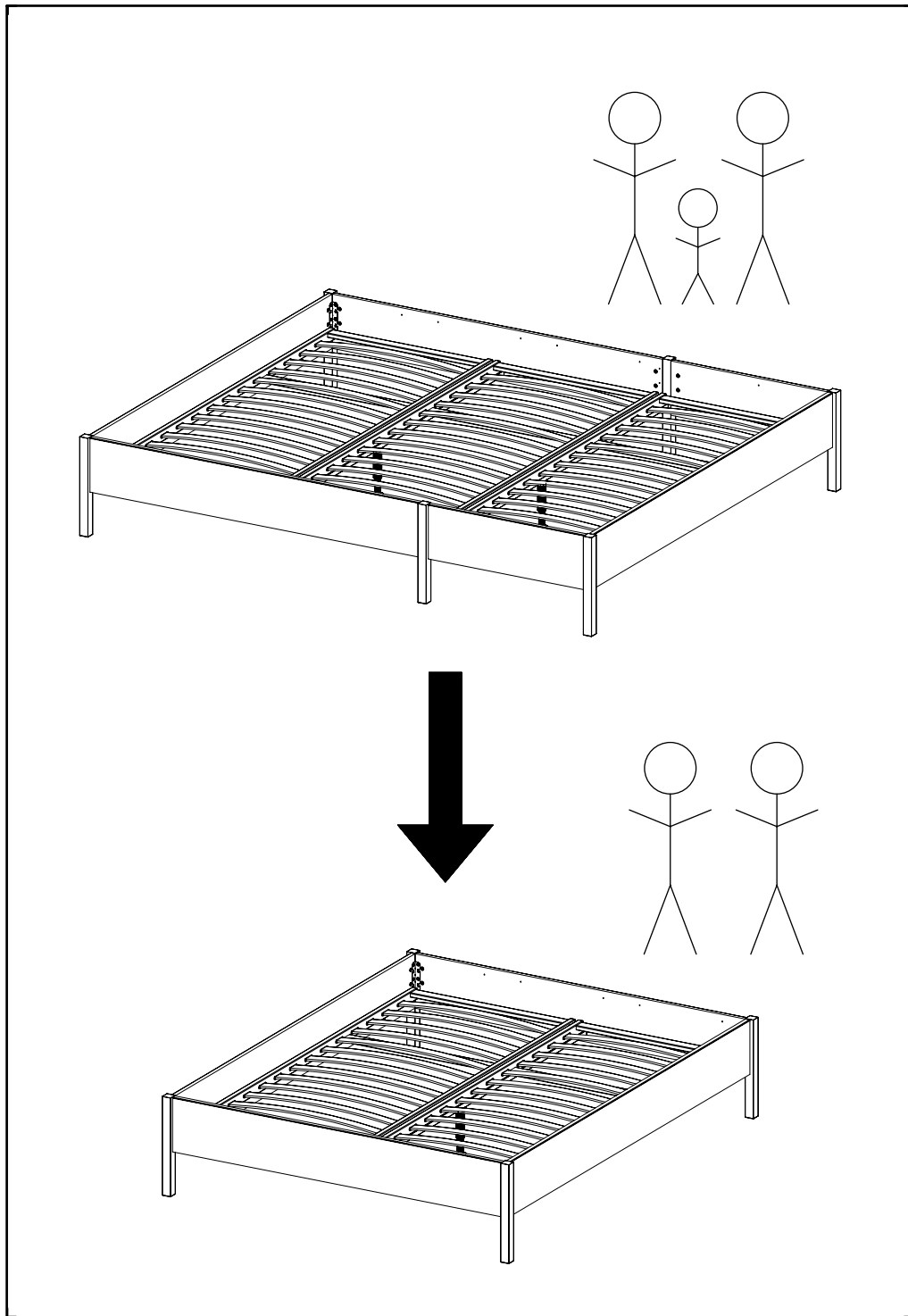


26

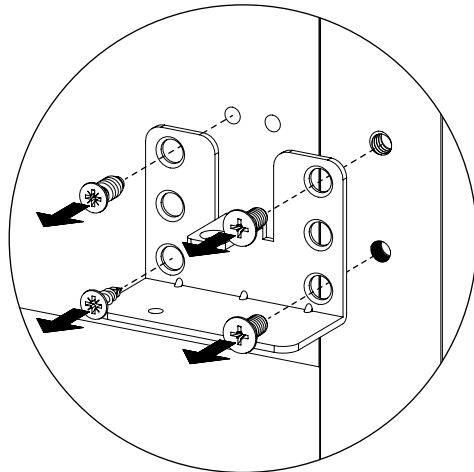
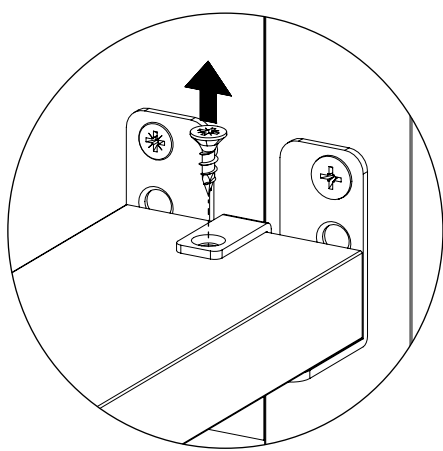
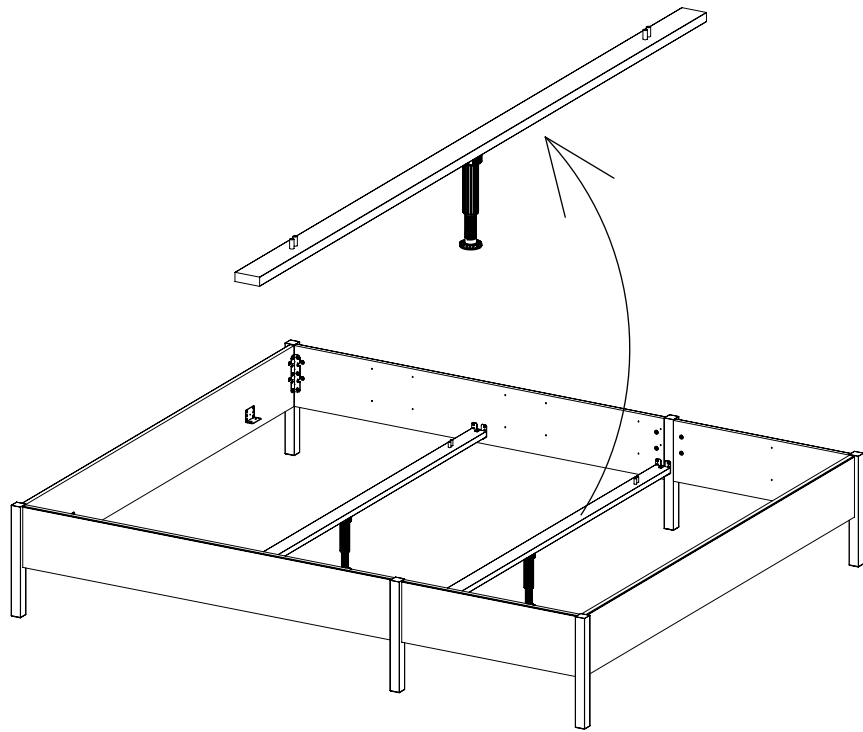
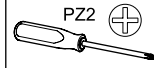


LT010  
LT020

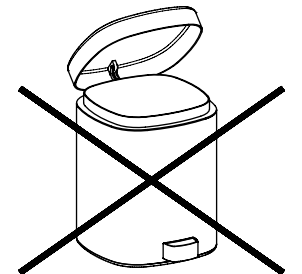
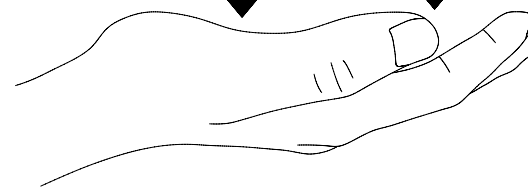
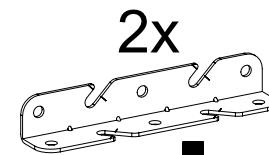
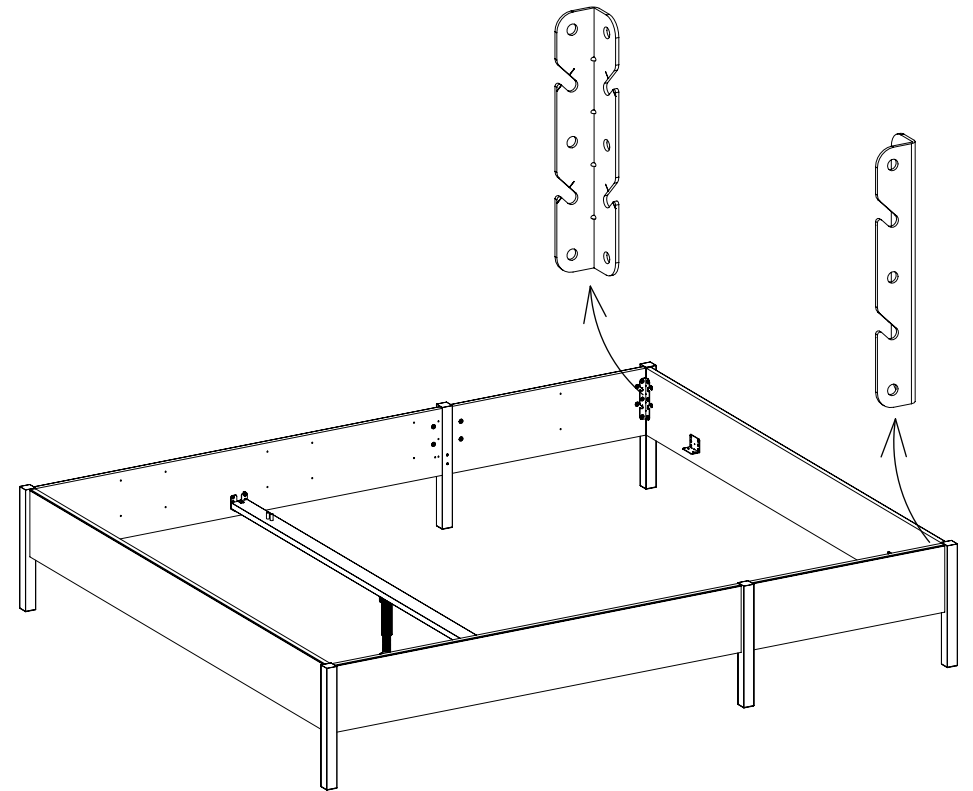
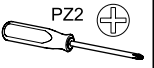


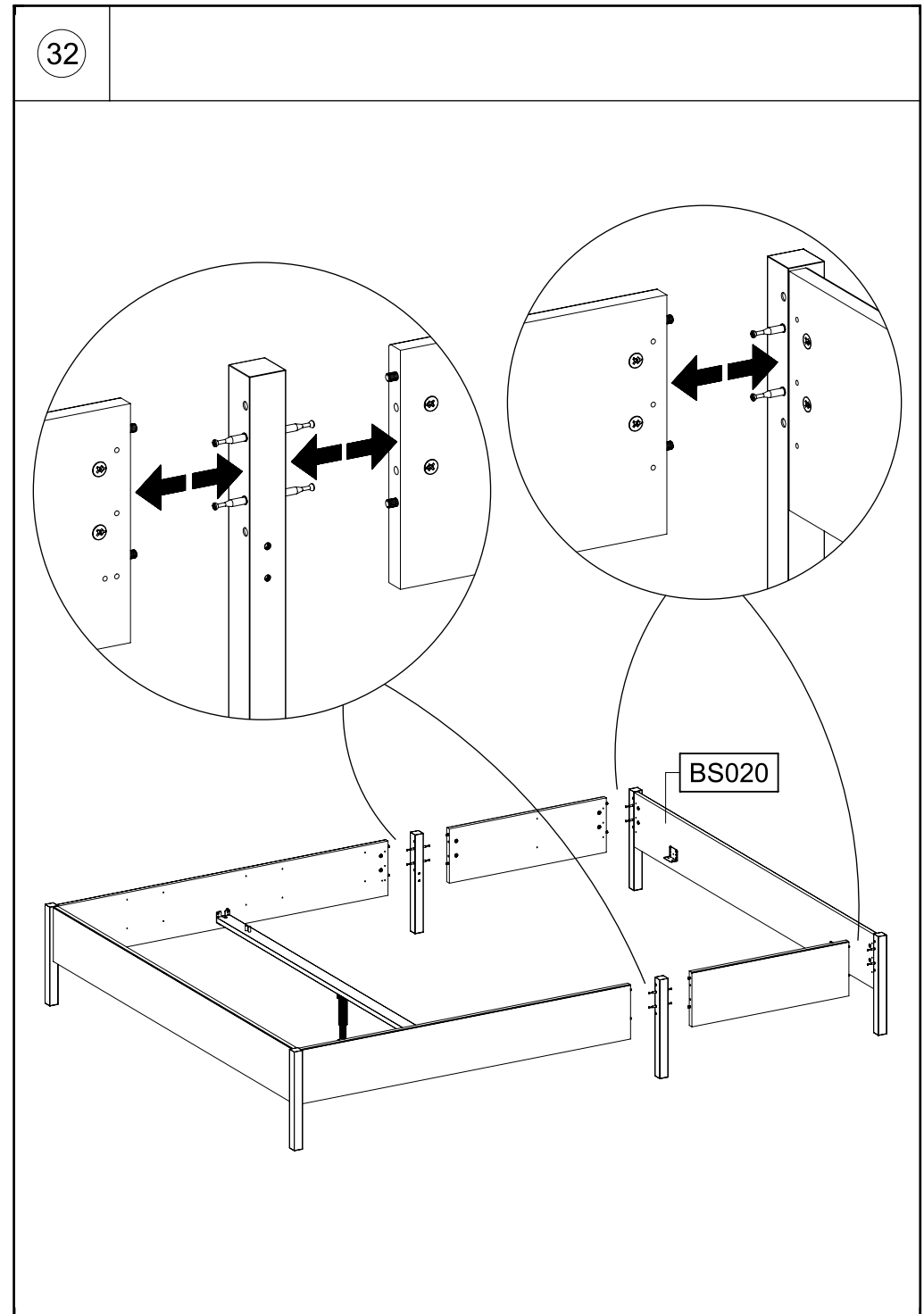
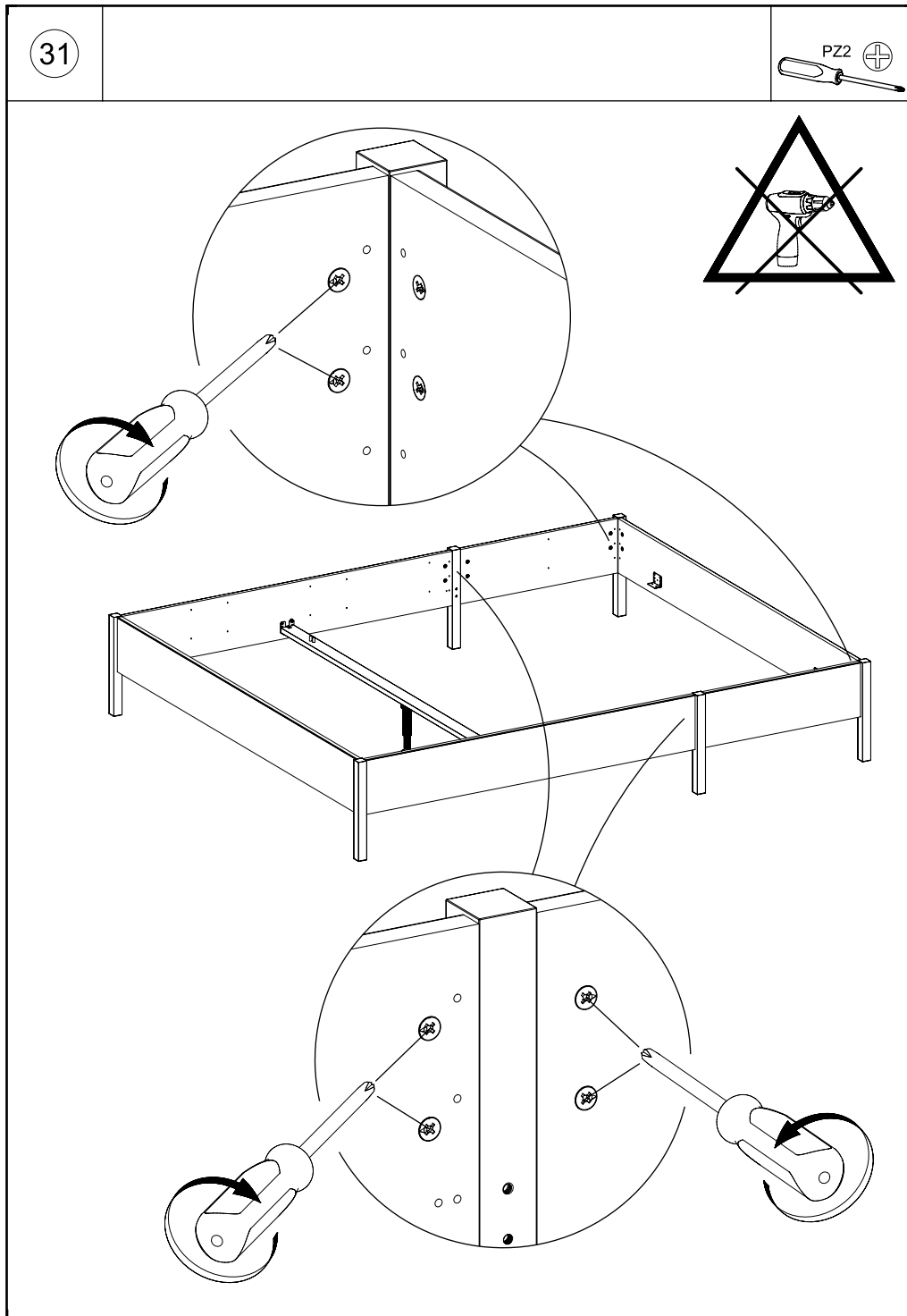


29

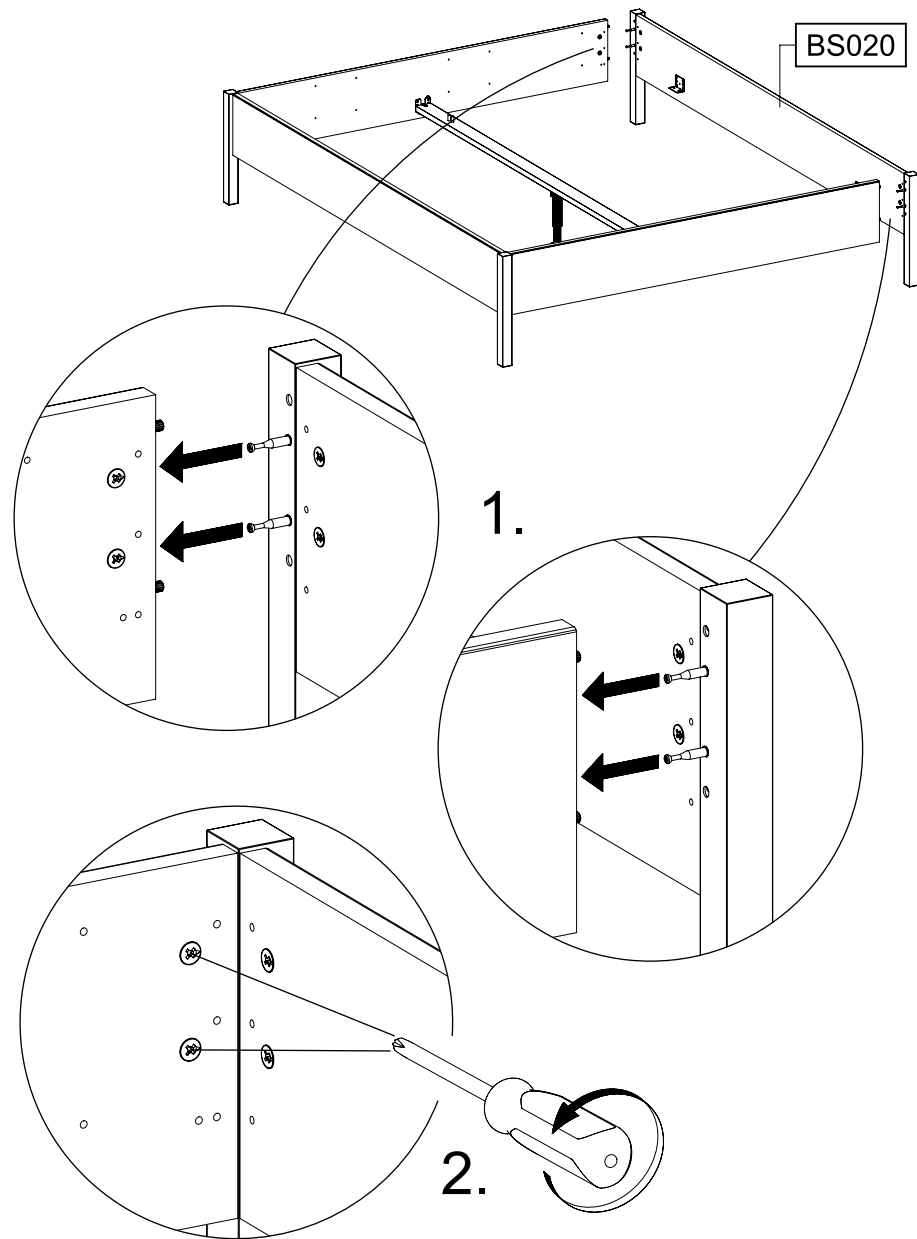
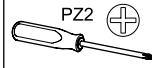


30

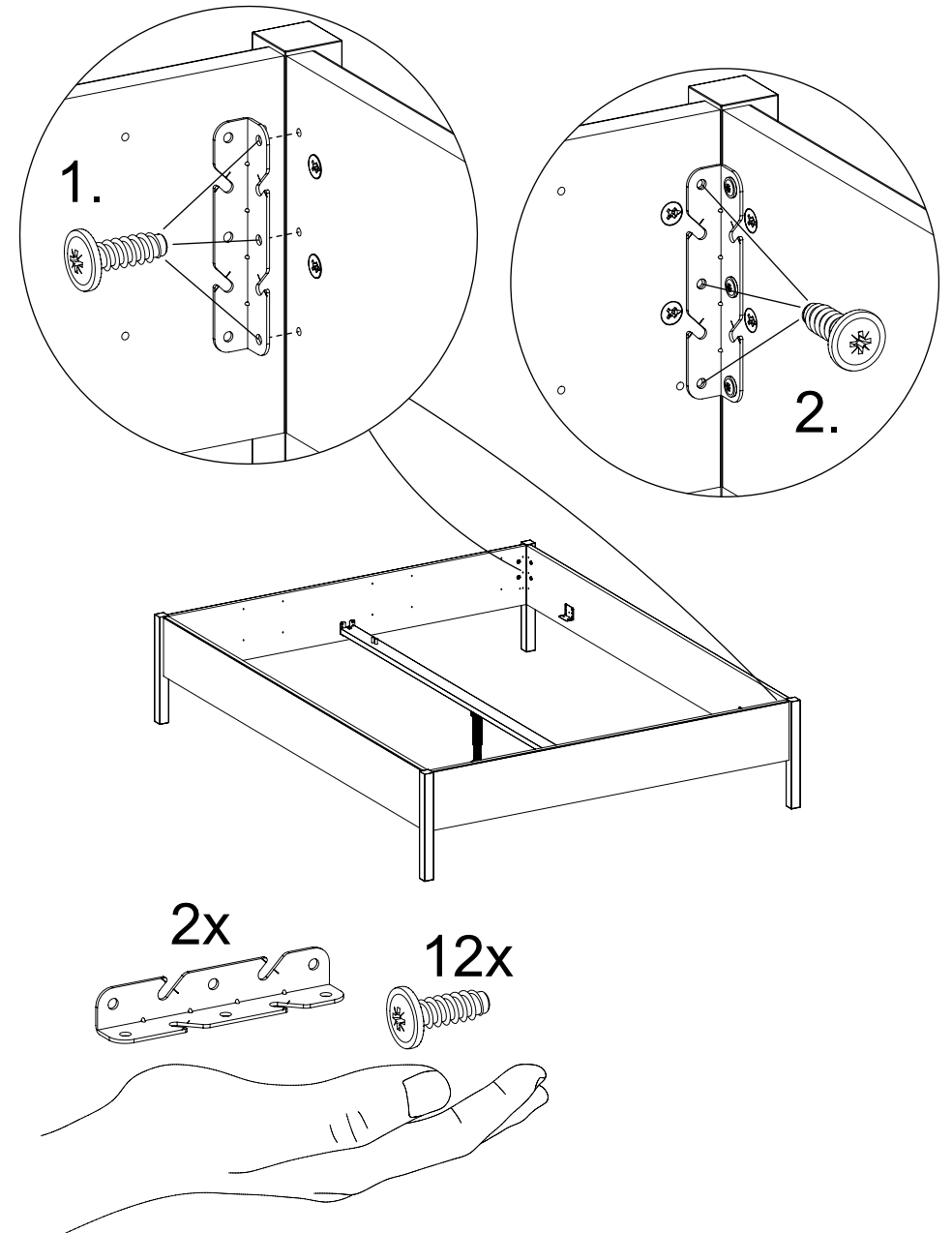
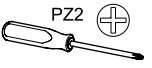




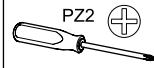
33



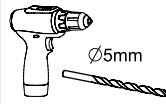
34



35



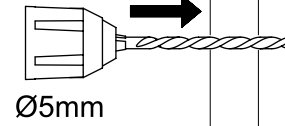
PZ2



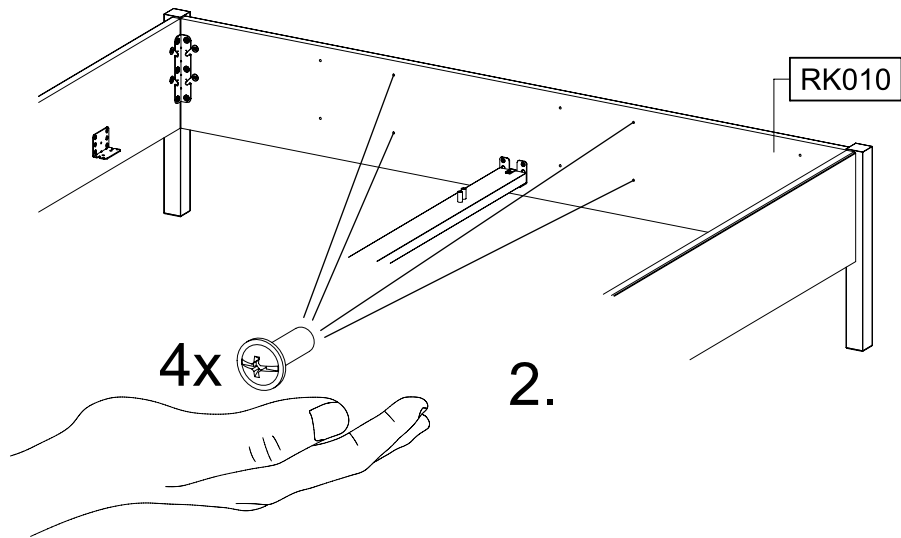
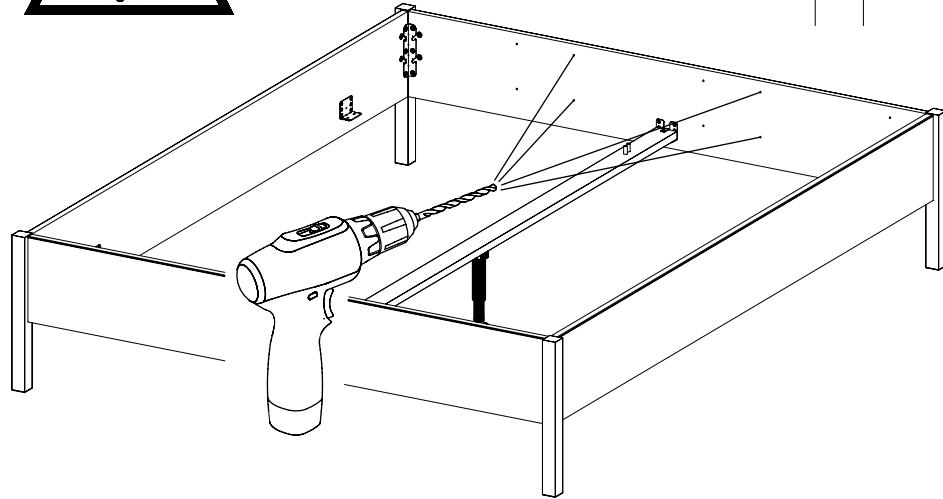
Ø5mm



1.



Ø5mm

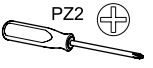


4x

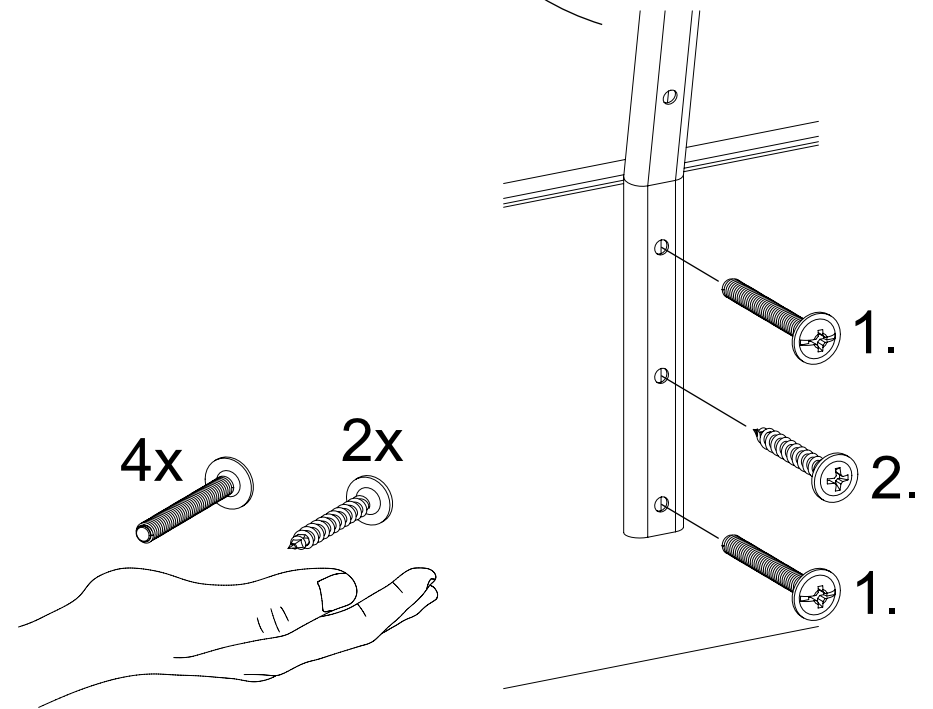
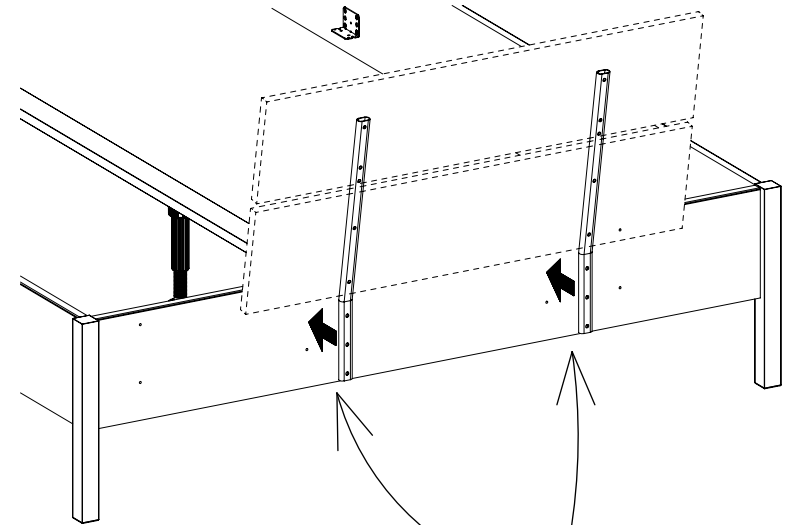
2.

RK010

36



PZ2



4x

2x

1.

2.

1.