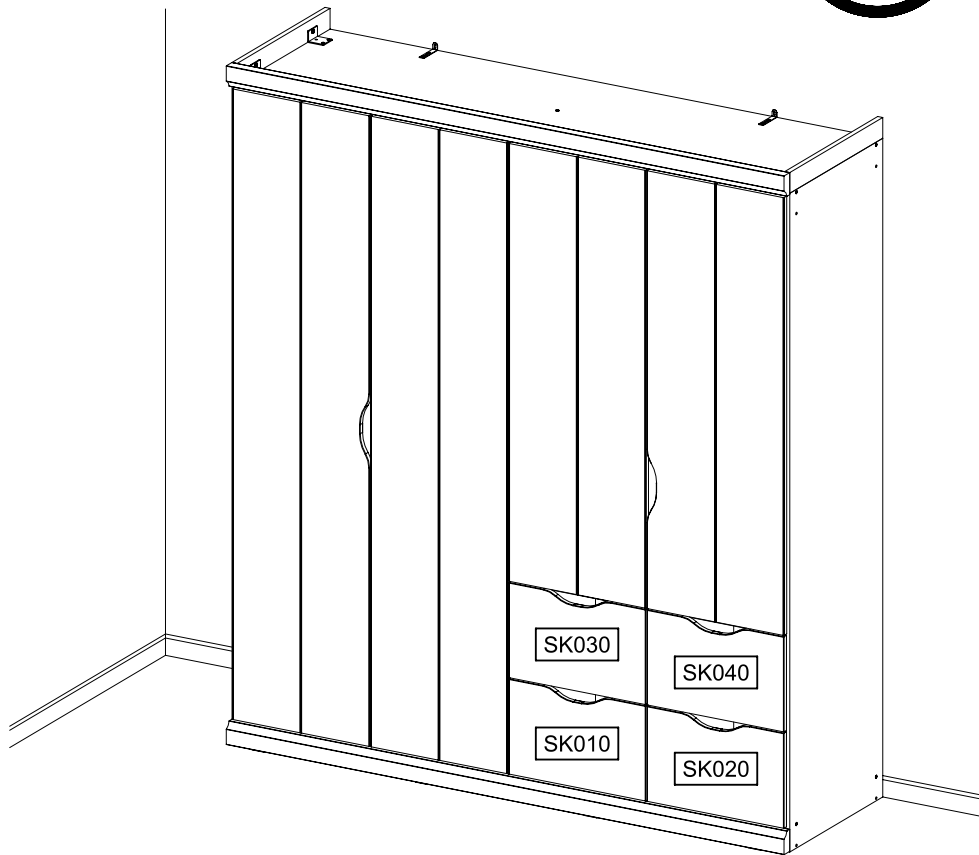
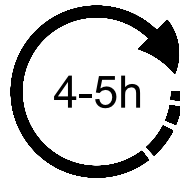
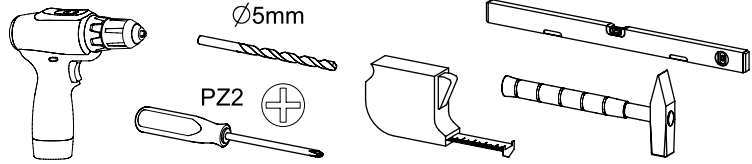
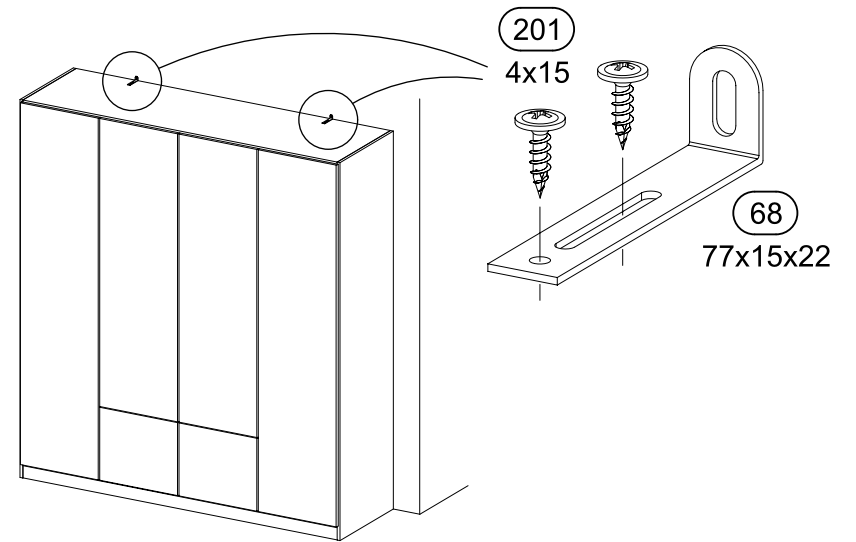
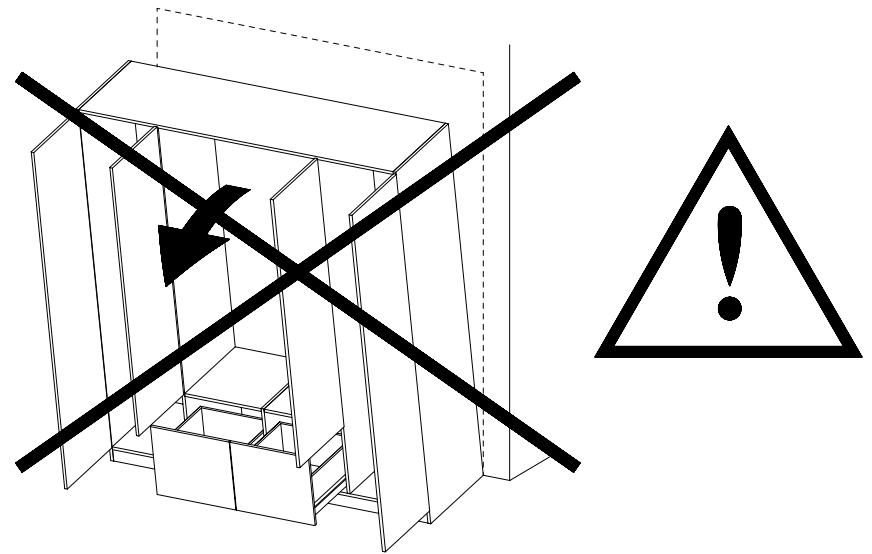


1.

M3033_01

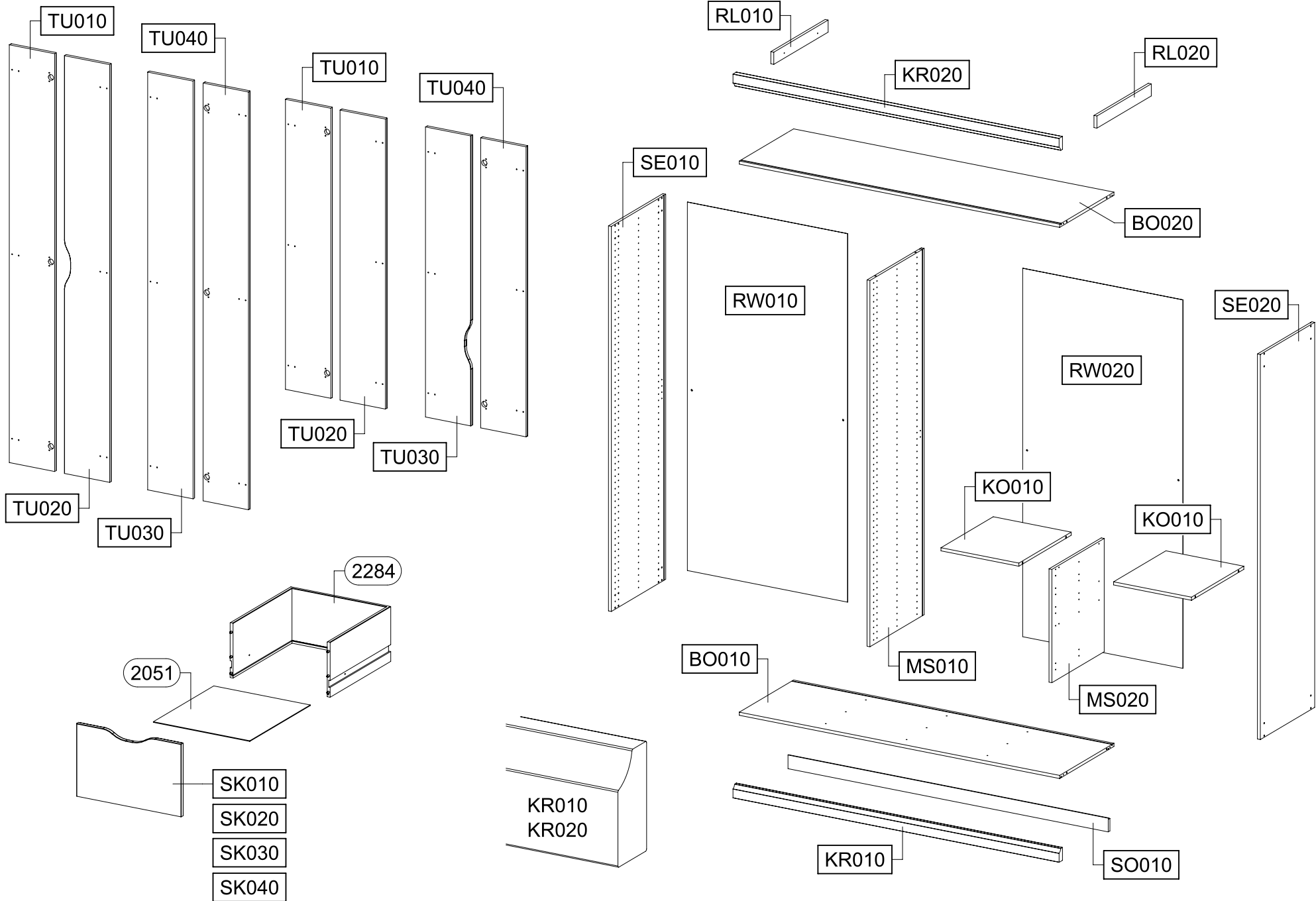


2.



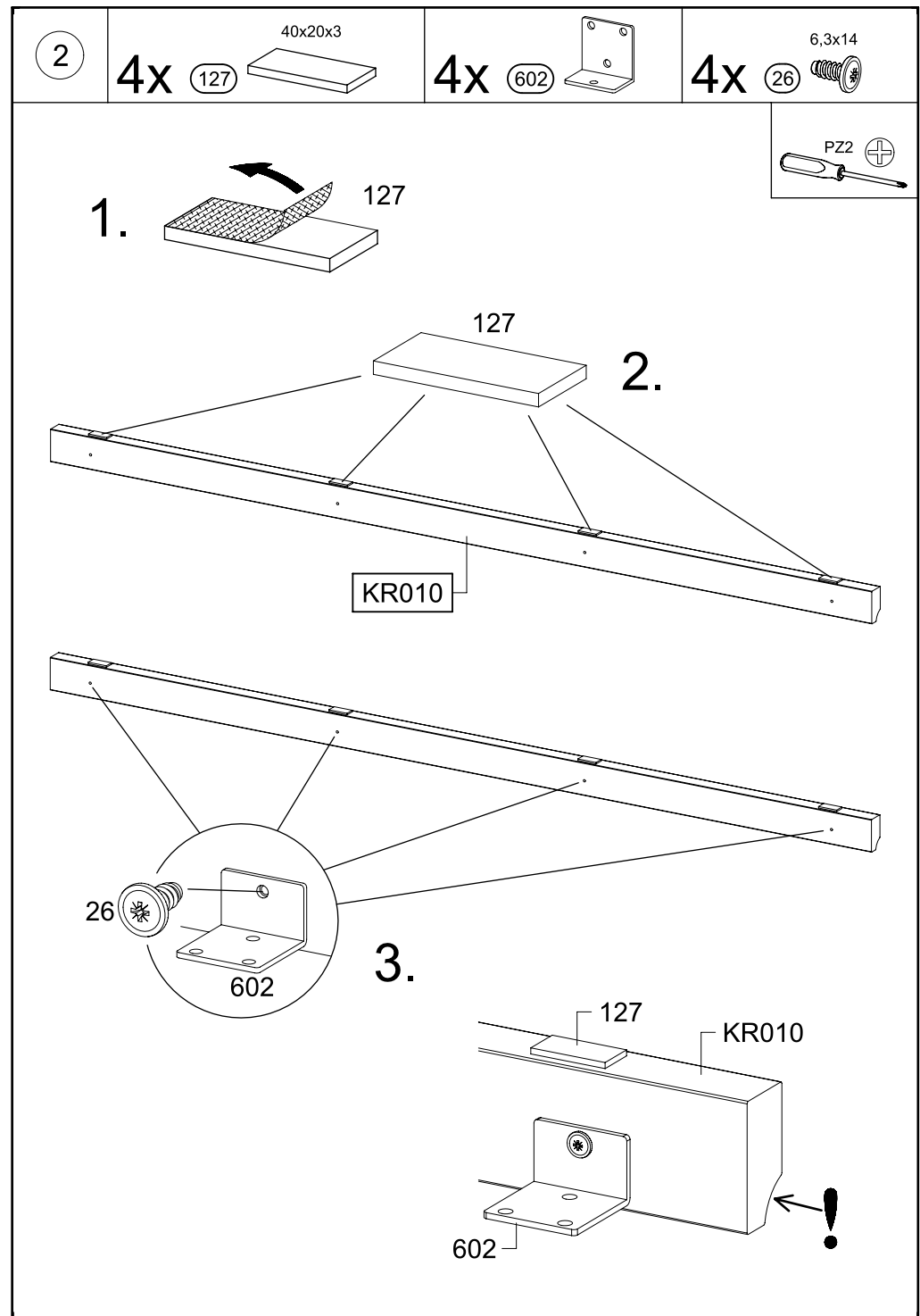
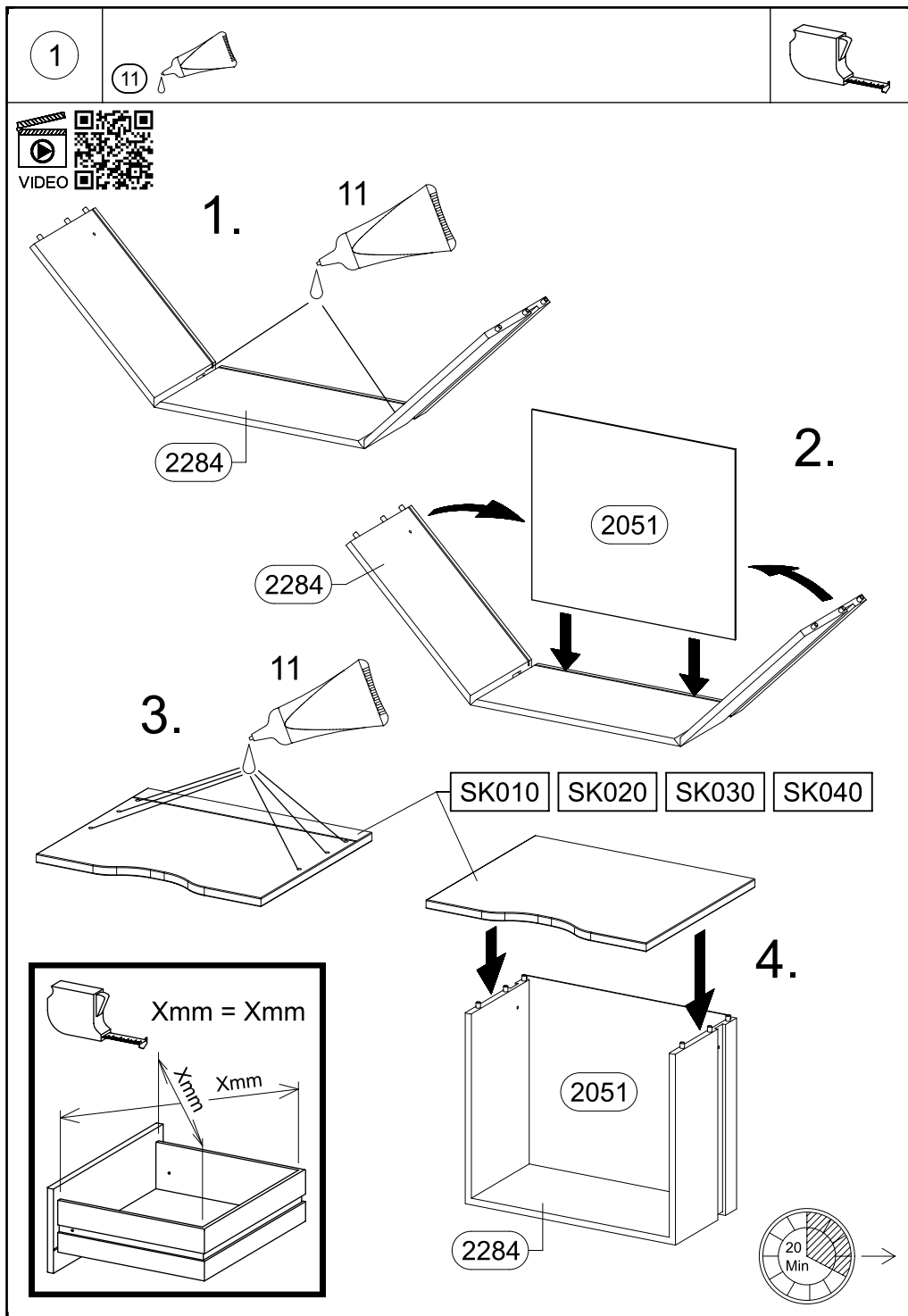
VIDEO

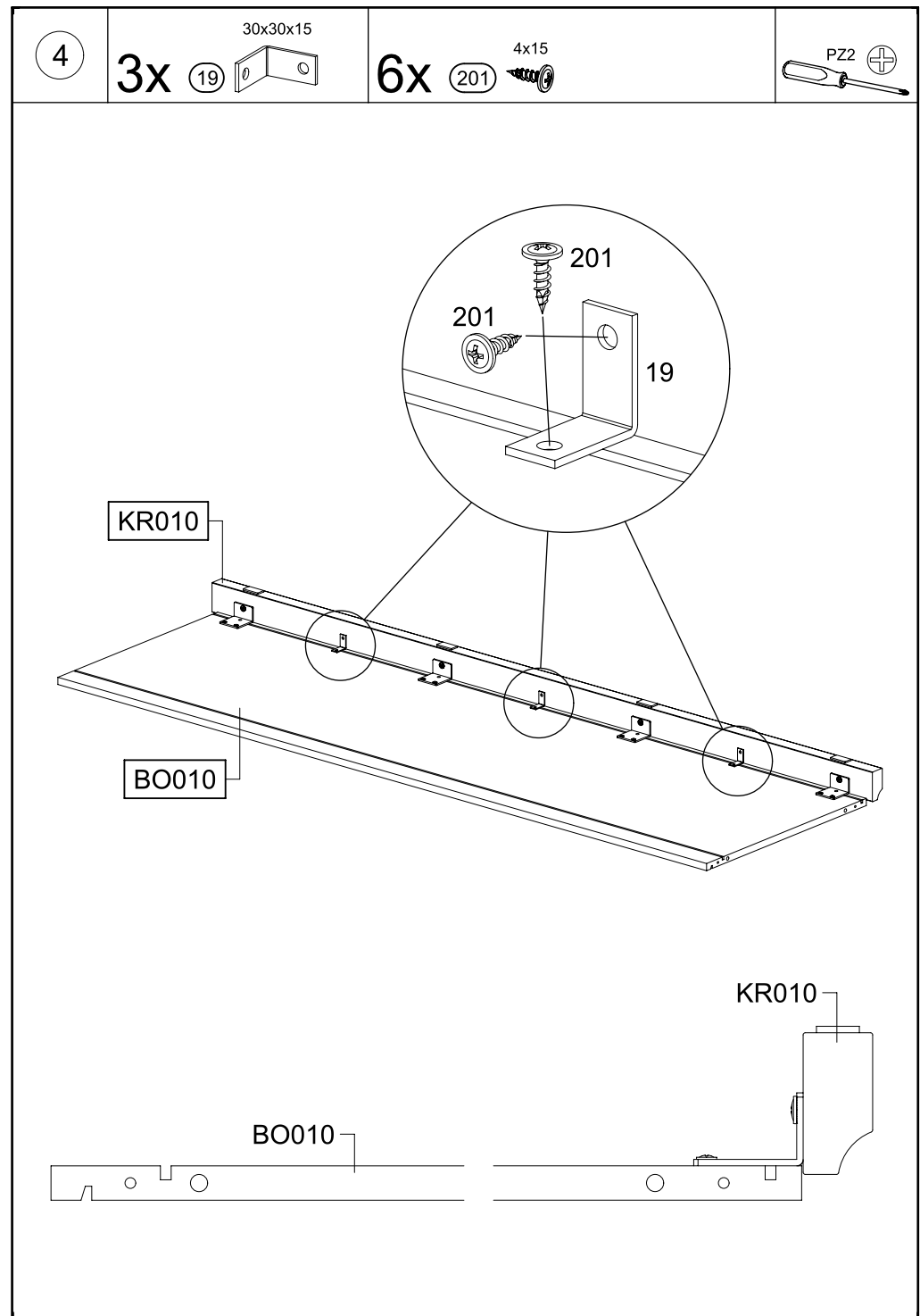
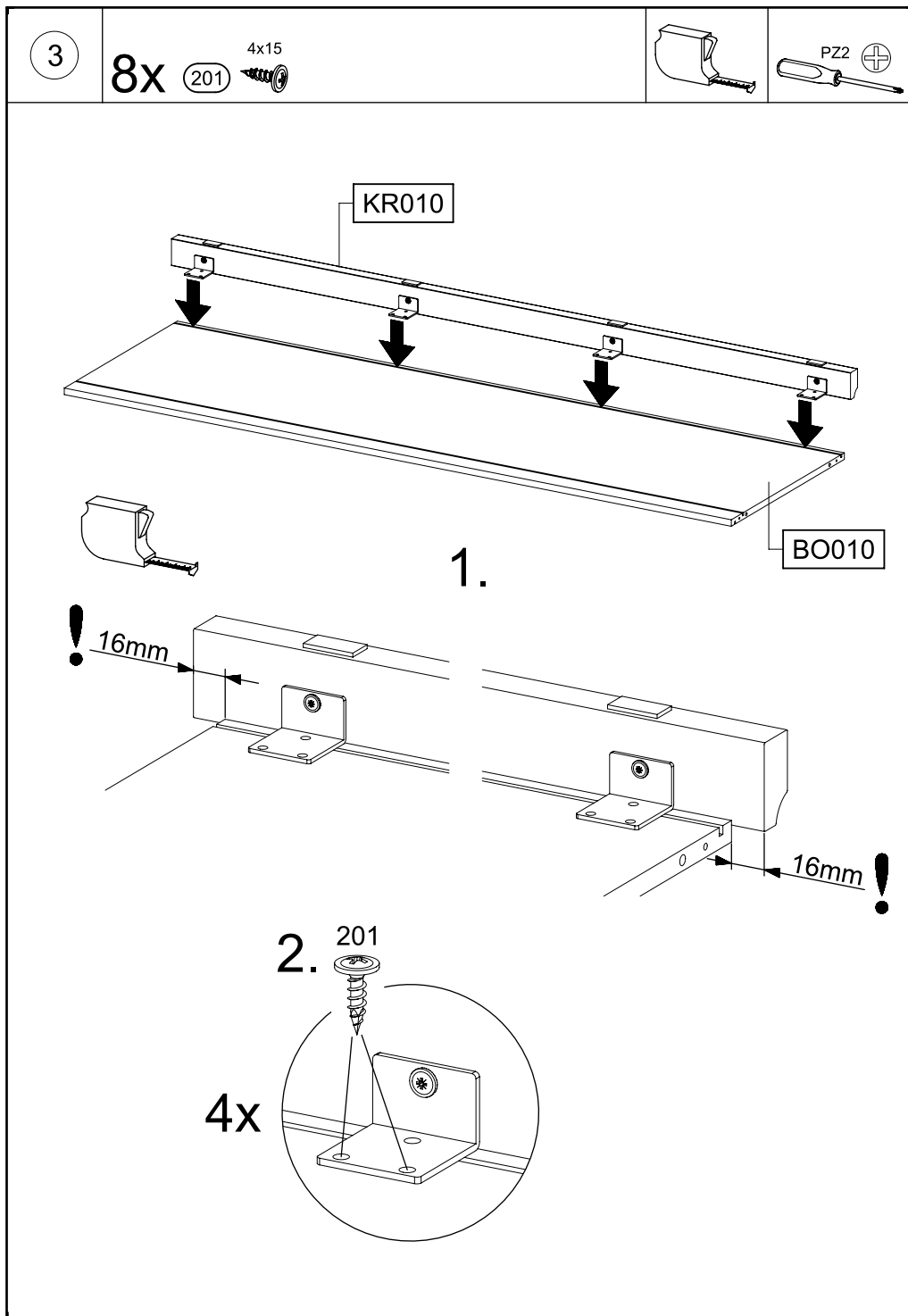


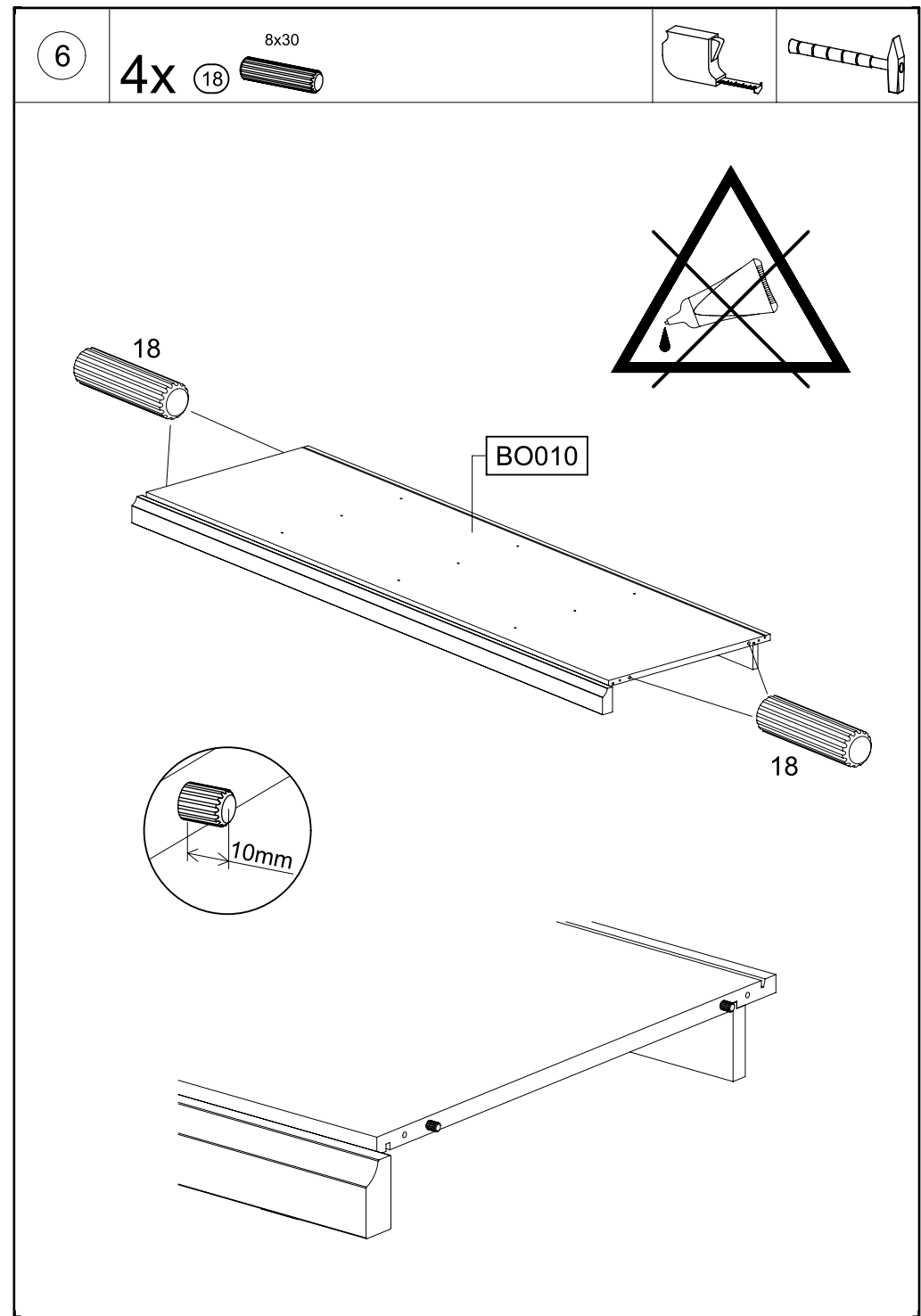
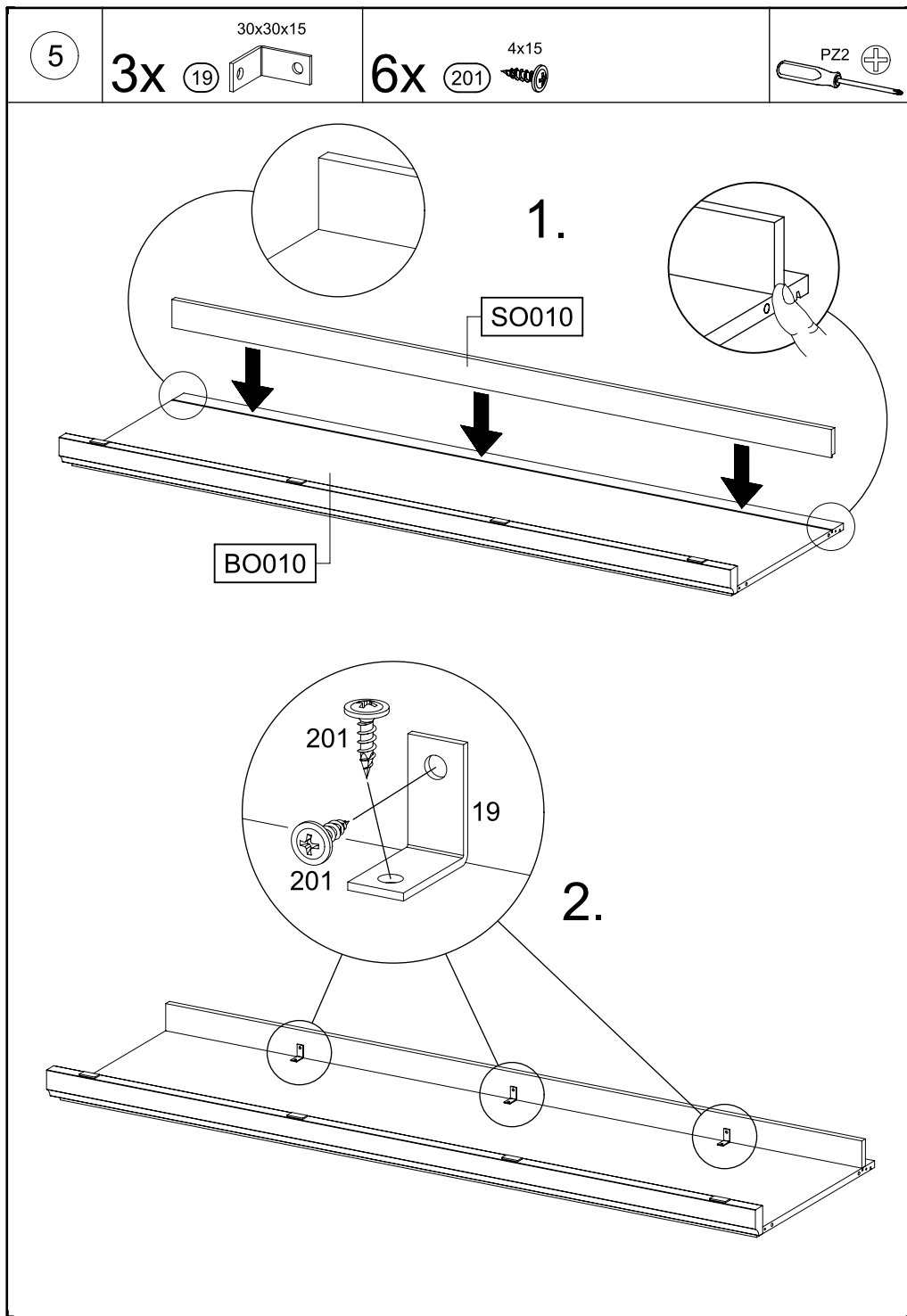


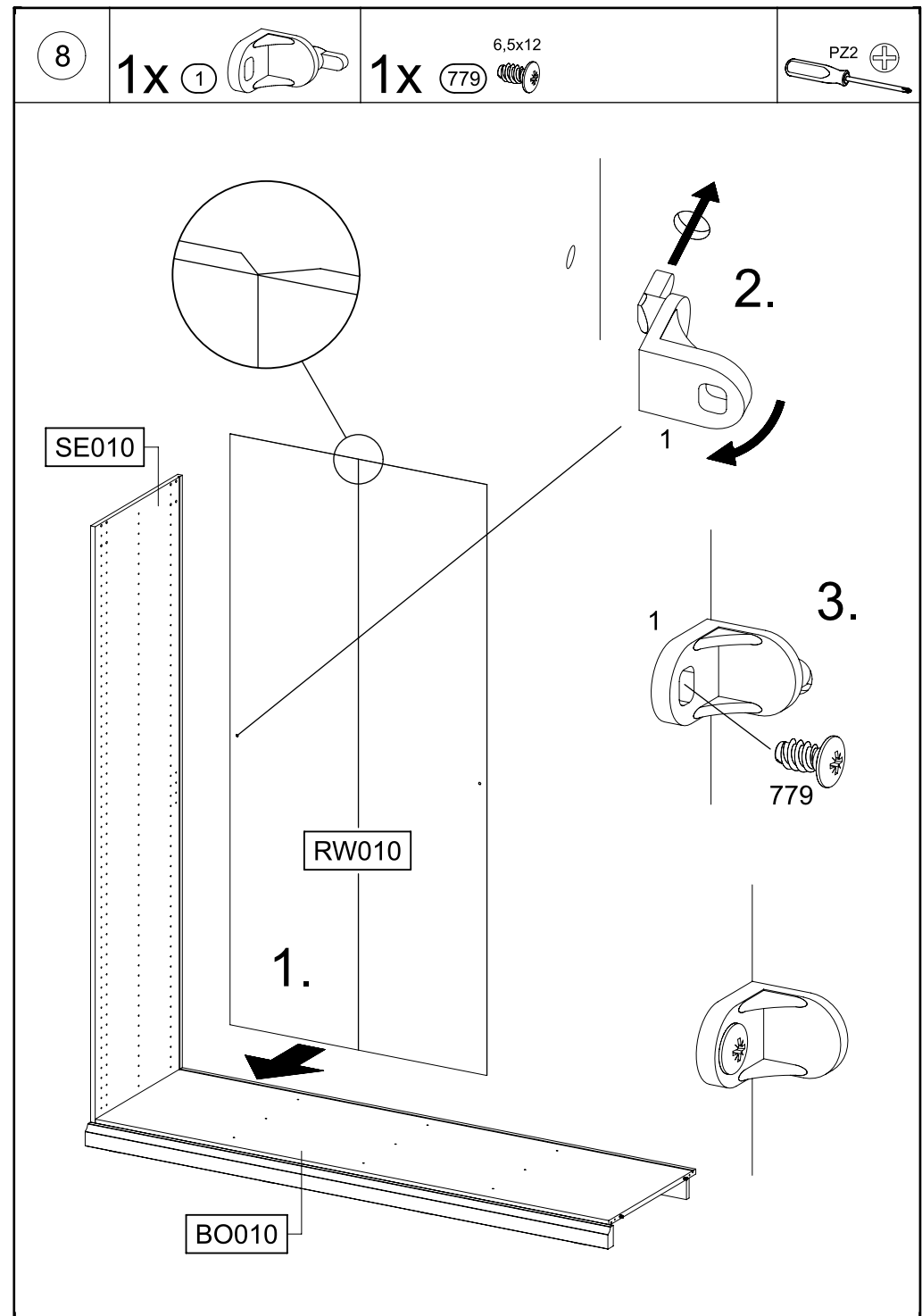
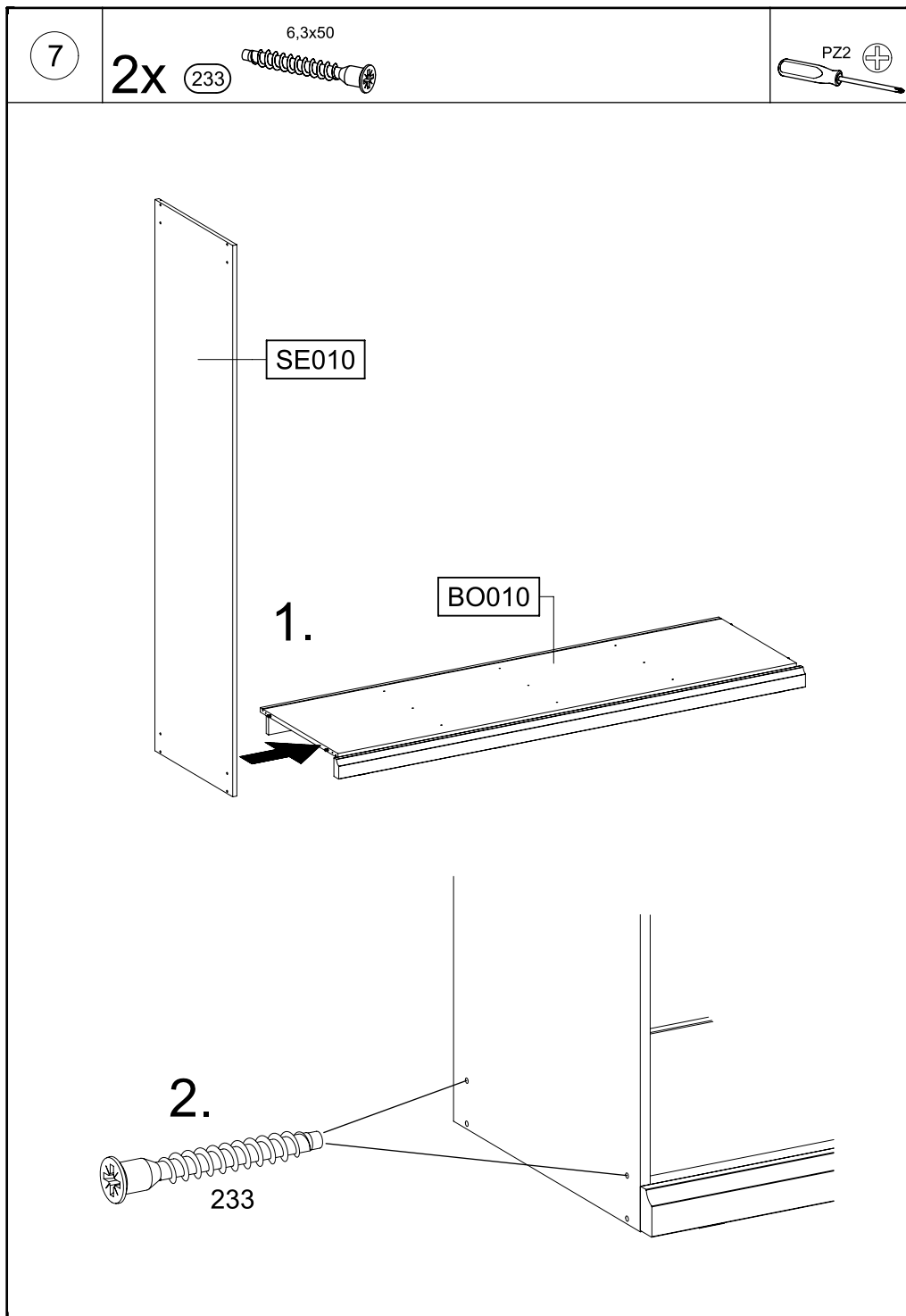
8x 6,3x50 233 	8x 8x30 18 	8x 3,5x15 205 	
4x 6,5x12 779 	1x 4,5x50 296 	6x 807 	
4x 1 	8x 5,0x7,0 249 	8x 274 	
10x 116 	2x 55x16x6,2 12 	16x 6x8 534 	
8x M4x9 568 	40x 4x15 201 	2x 77x22x15 68 	
12x 602 	12x 6,3x14 26 	48x 6,3x13 179 	
6x 30x30x15 19 	4x 40x20x3 127 	11 	

12x 1472 	120x25x2		
8x 1396 	342x27x10		
1x RE010 			





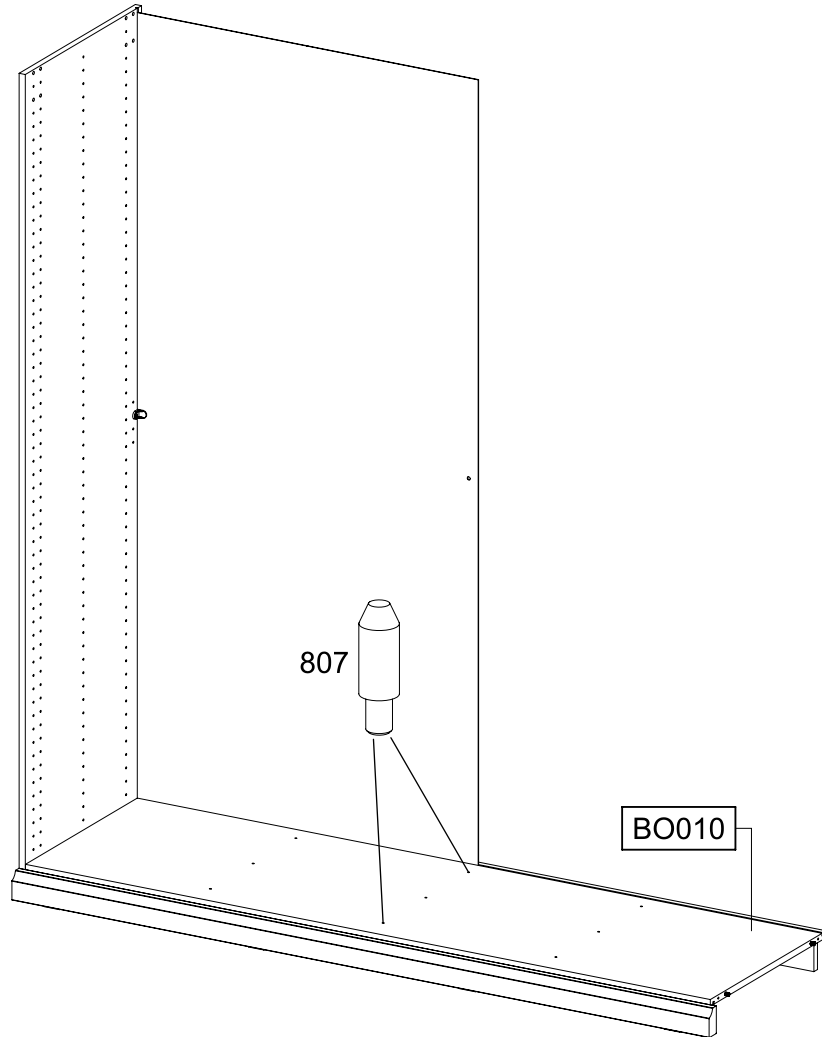




9

2x

807



10

1x

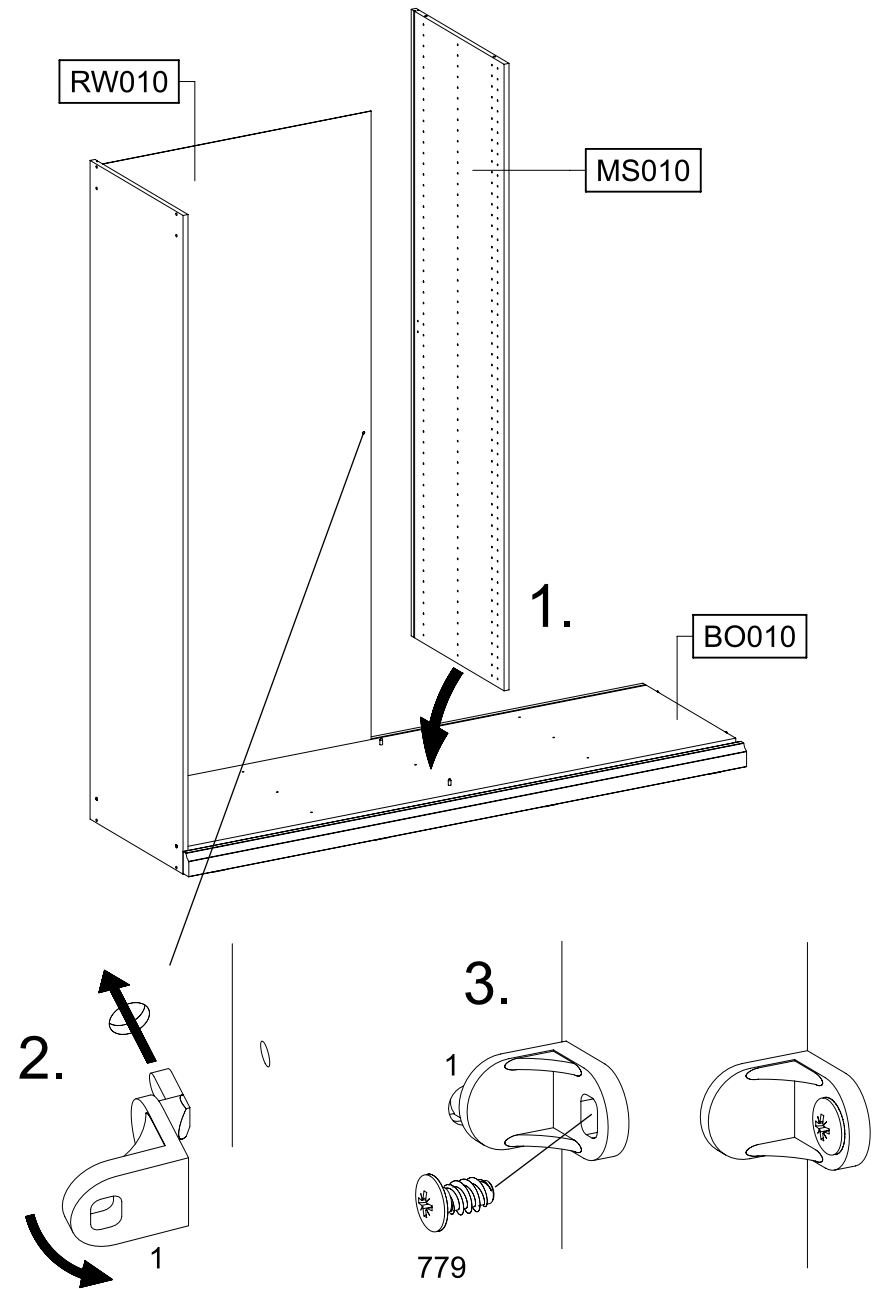
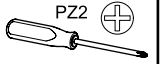
1



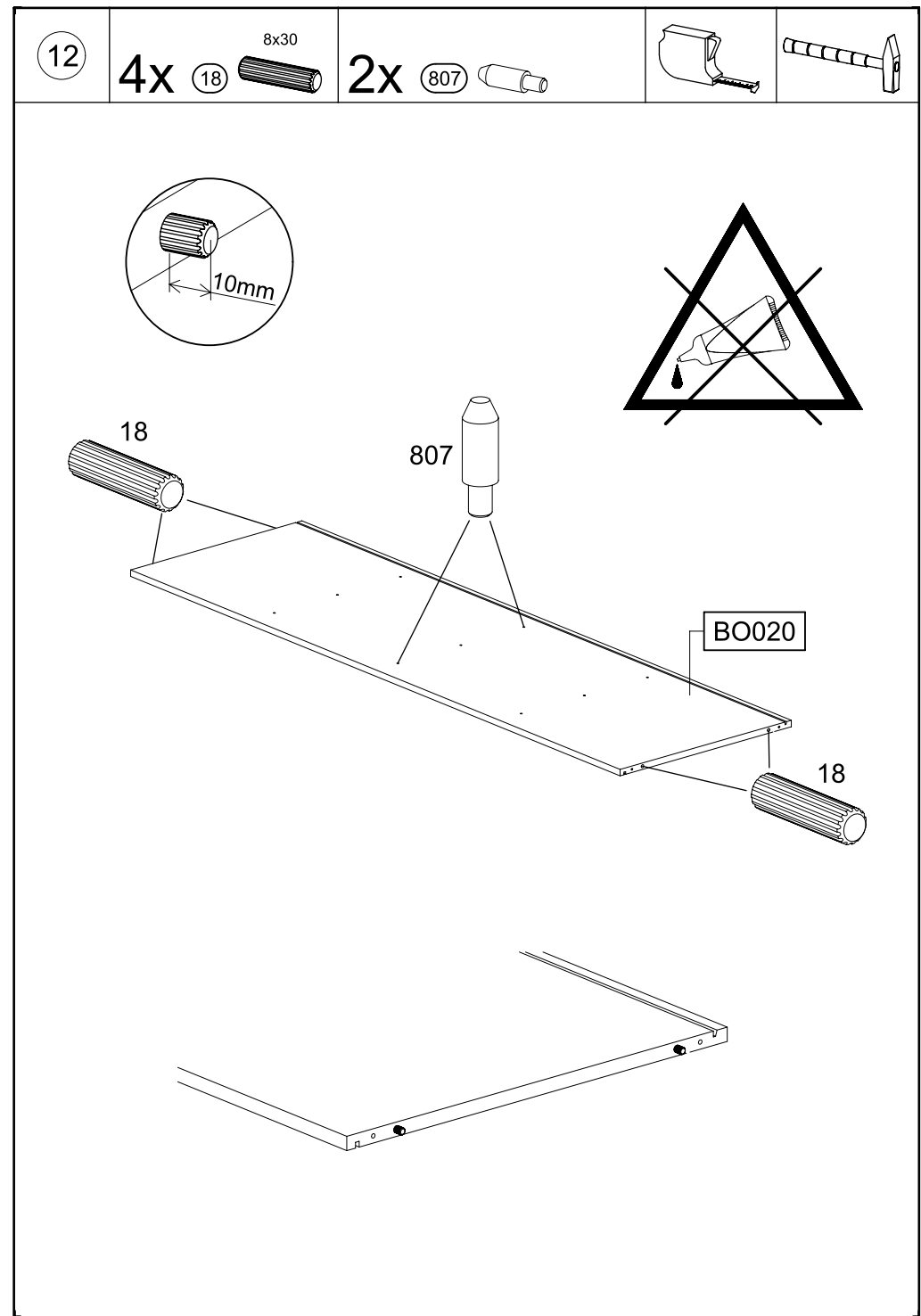
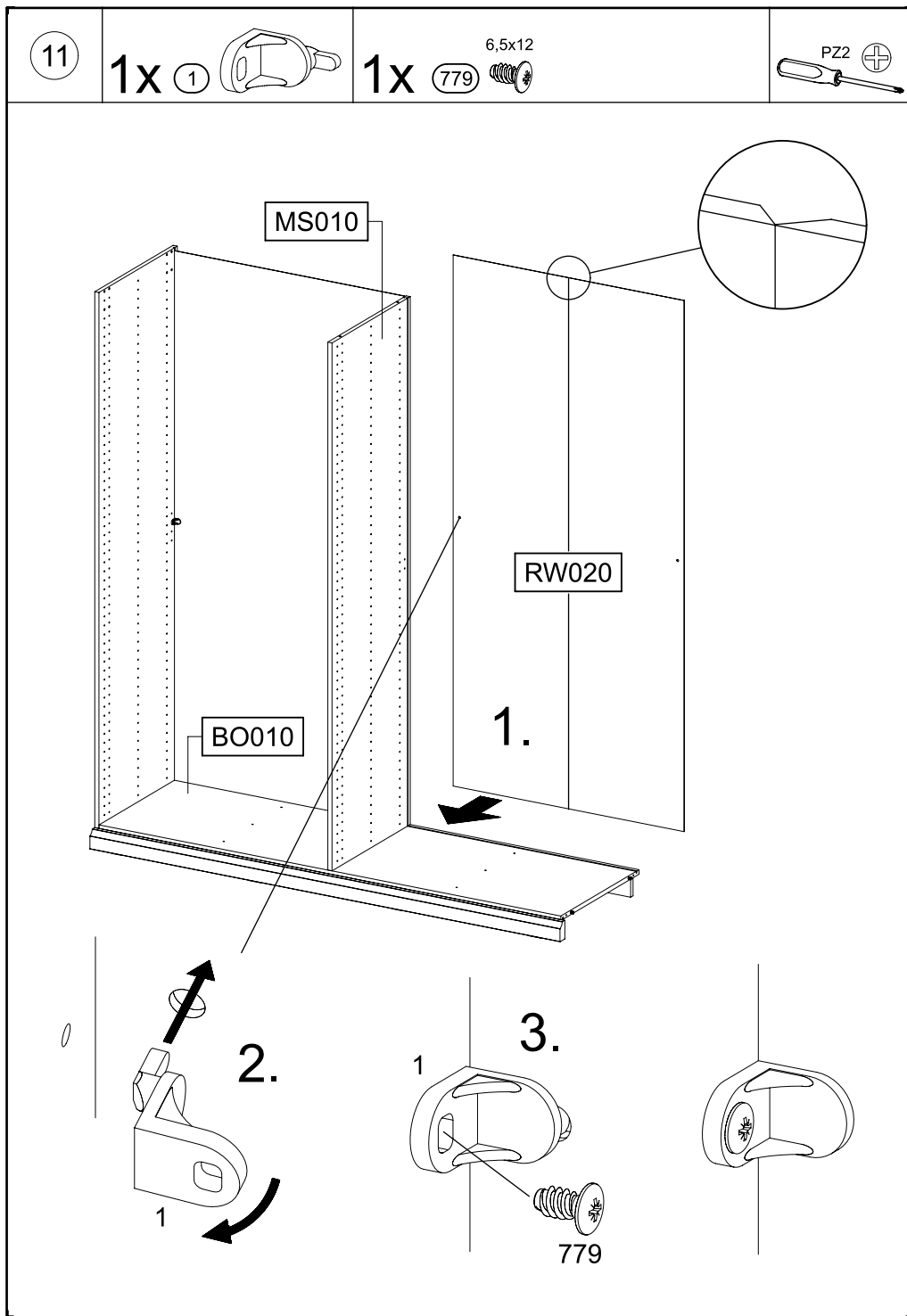
1x

779

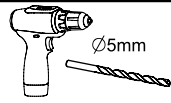
6,5x12



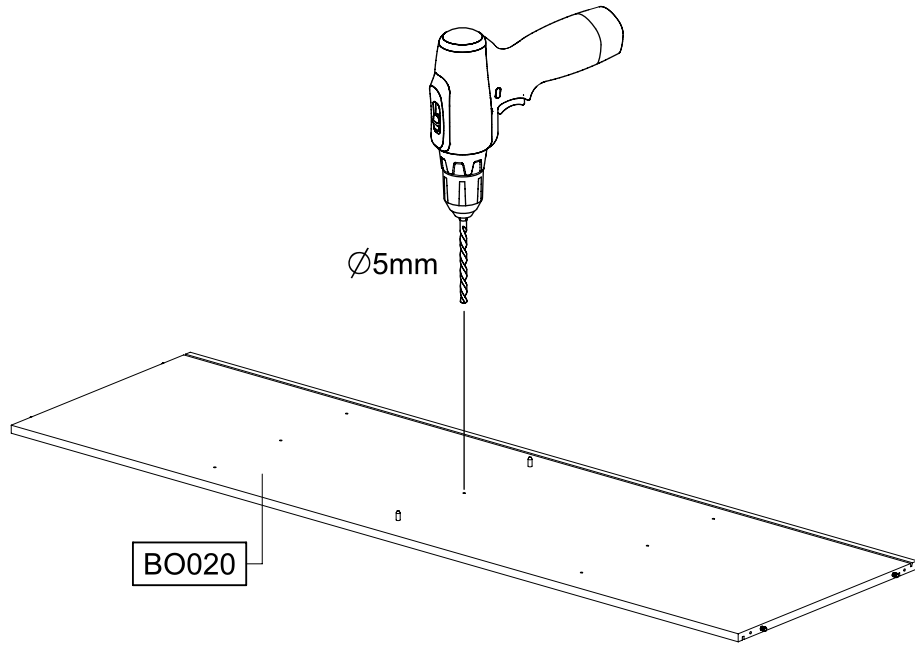
779



13

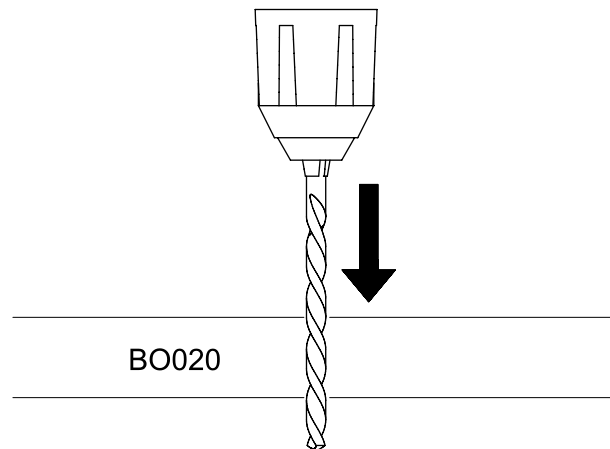


Ø5mm



Ø5mm

BO020

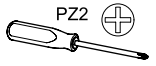


BO020

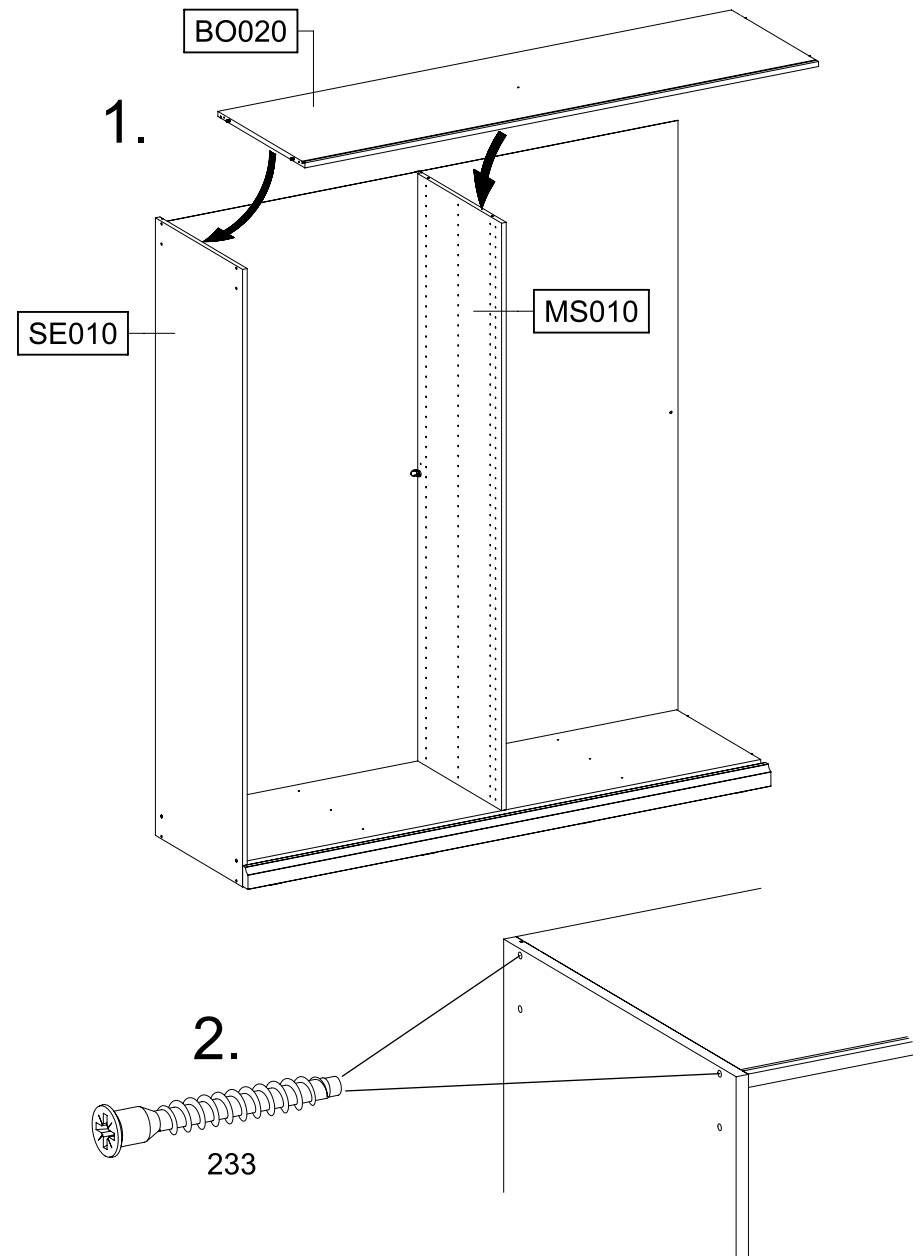
14

2x 233

6,3x50



PZ2



1.

BO020

SE010

MS010

2.

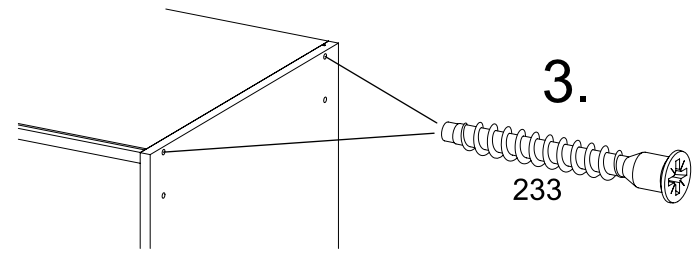
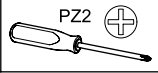
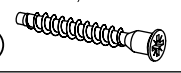
233

15

4x

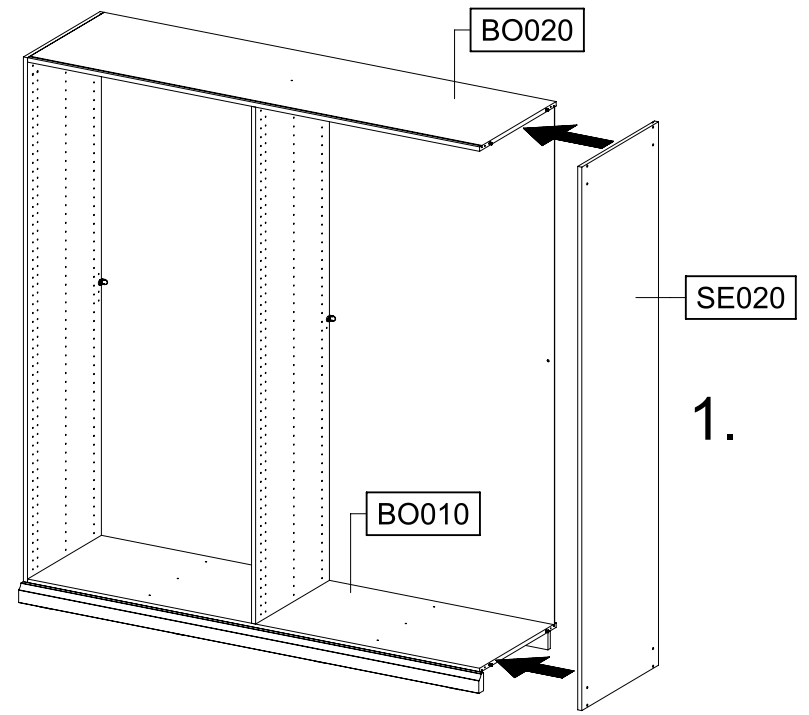
233

6,3x50



3.

233

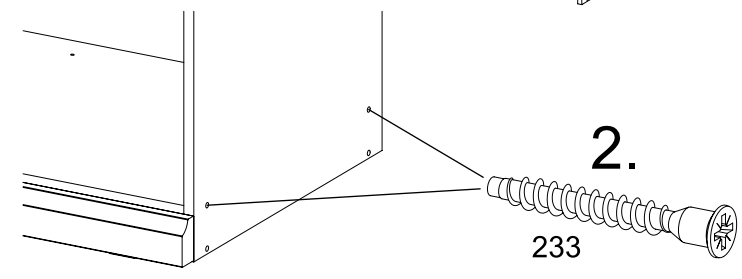


BO020

SE020

BO010

1.



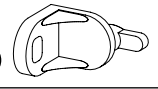
2.

233

16

1x

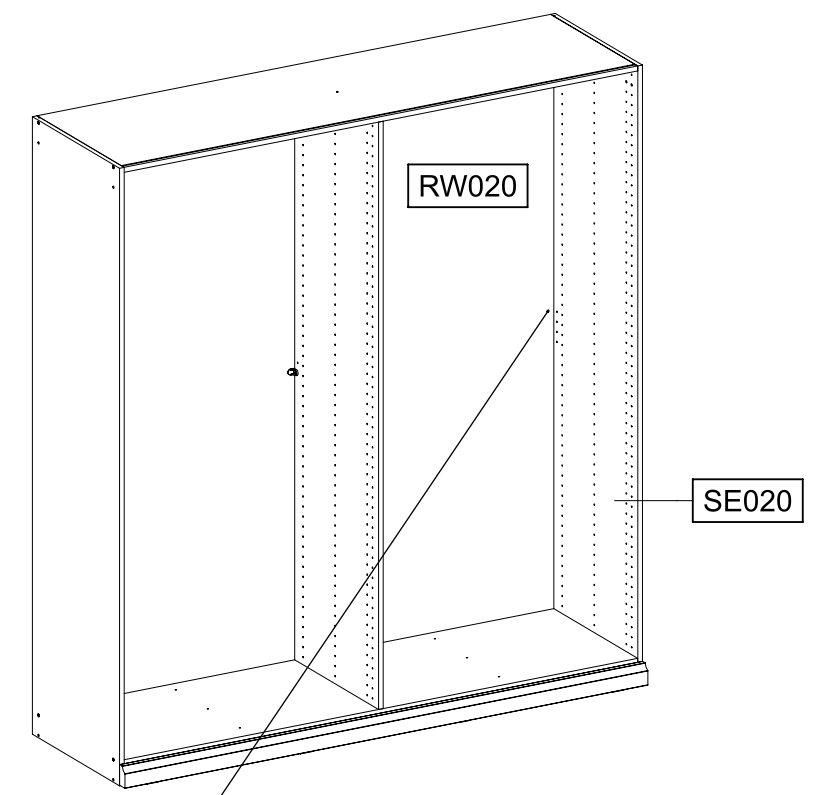
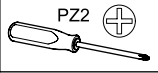
1



1x

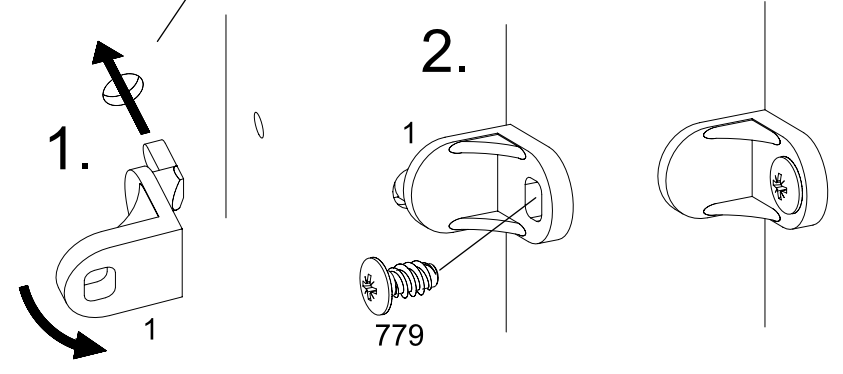
779

6,5x12



RW020

SE020



1.

2.

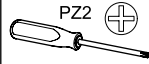
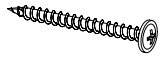
1

779

17

1x 296

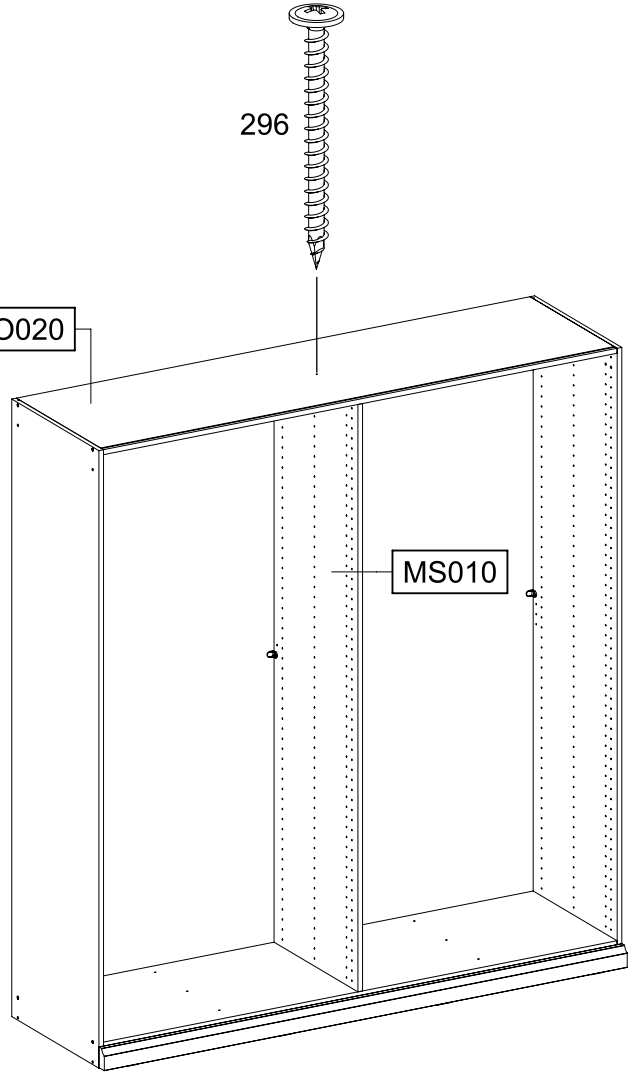
4,5x50



296

BO020

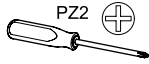
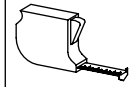
MS010



18

4x 249

5,0x7,0



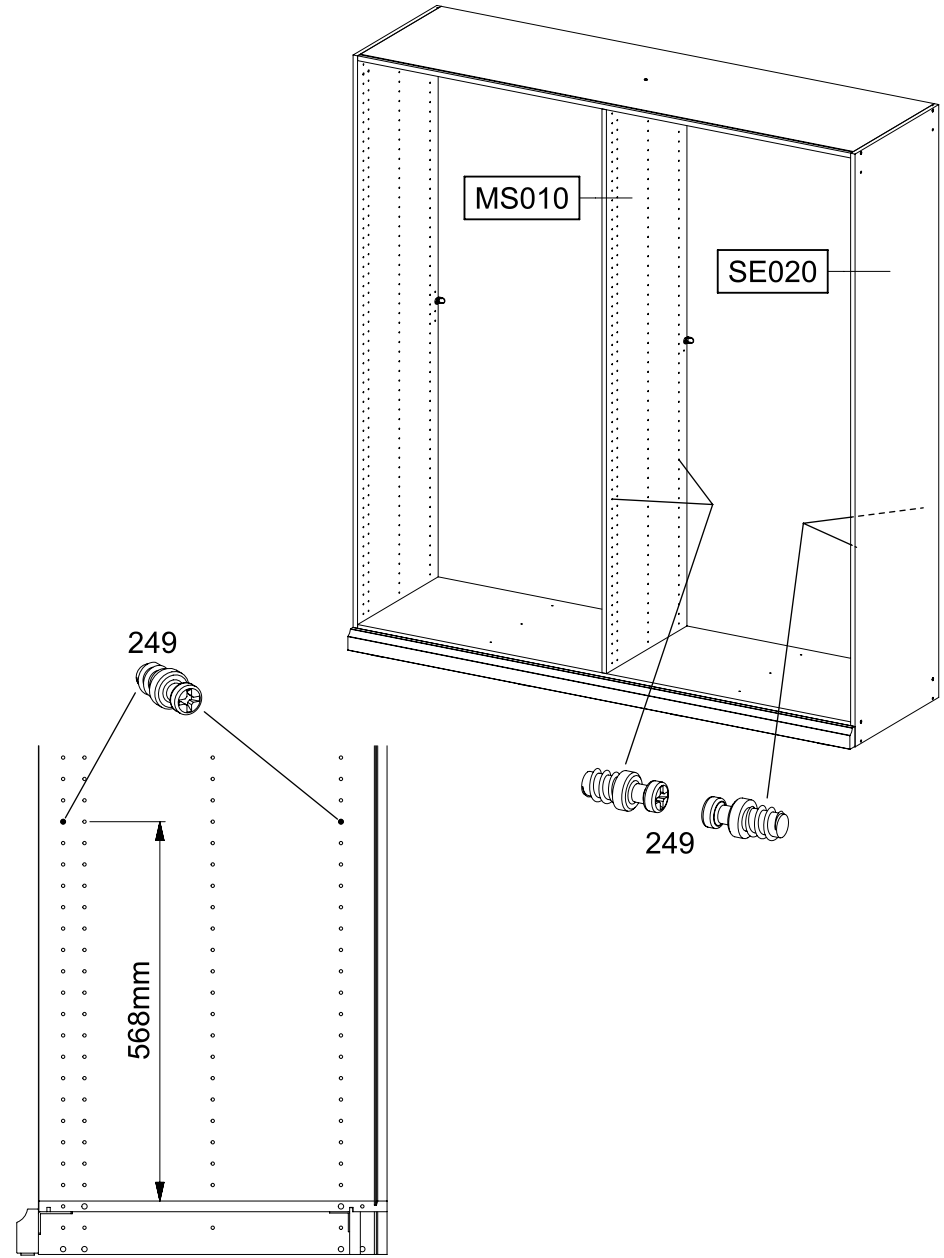
249

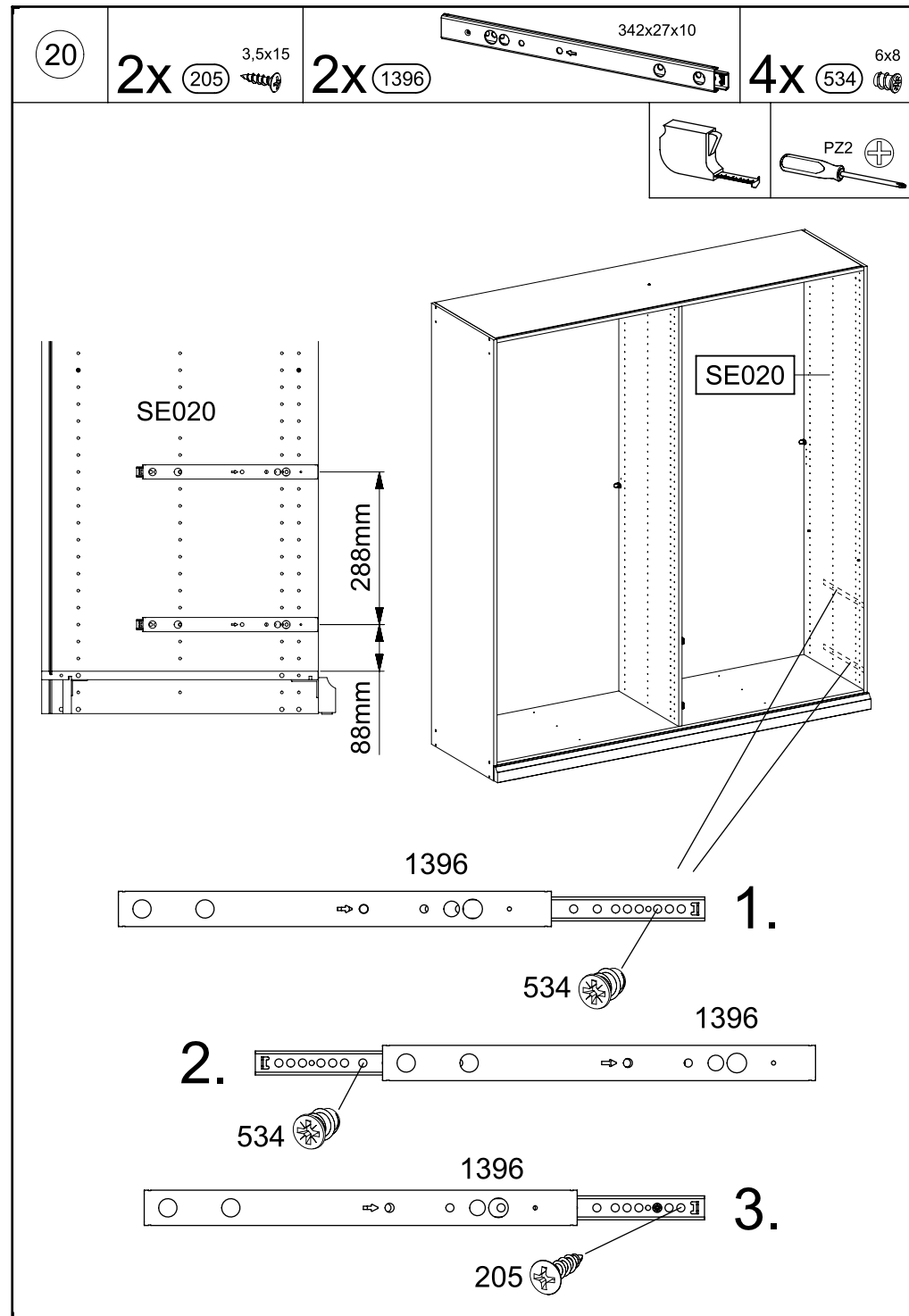
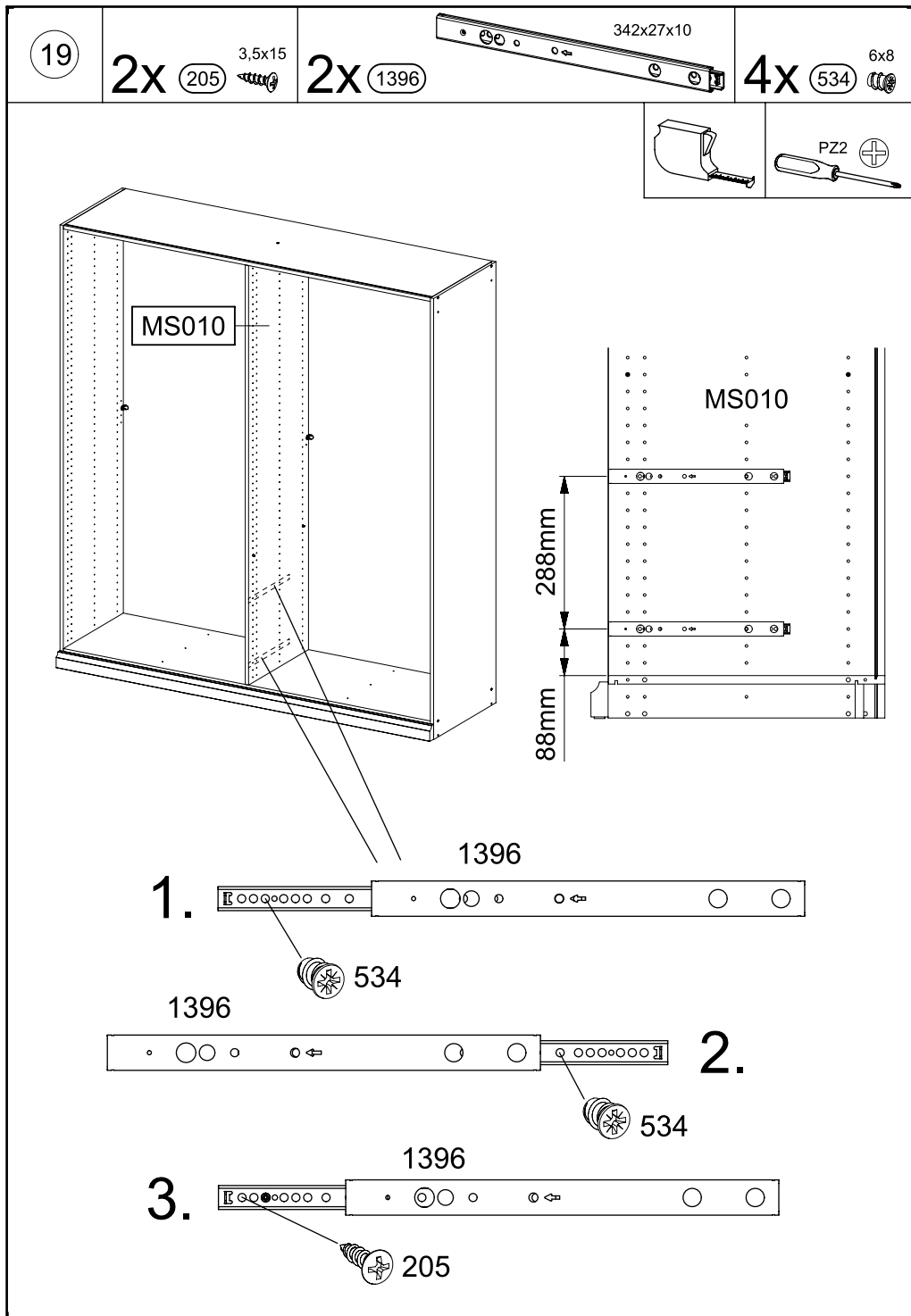
249

568mm

MS010

SE020

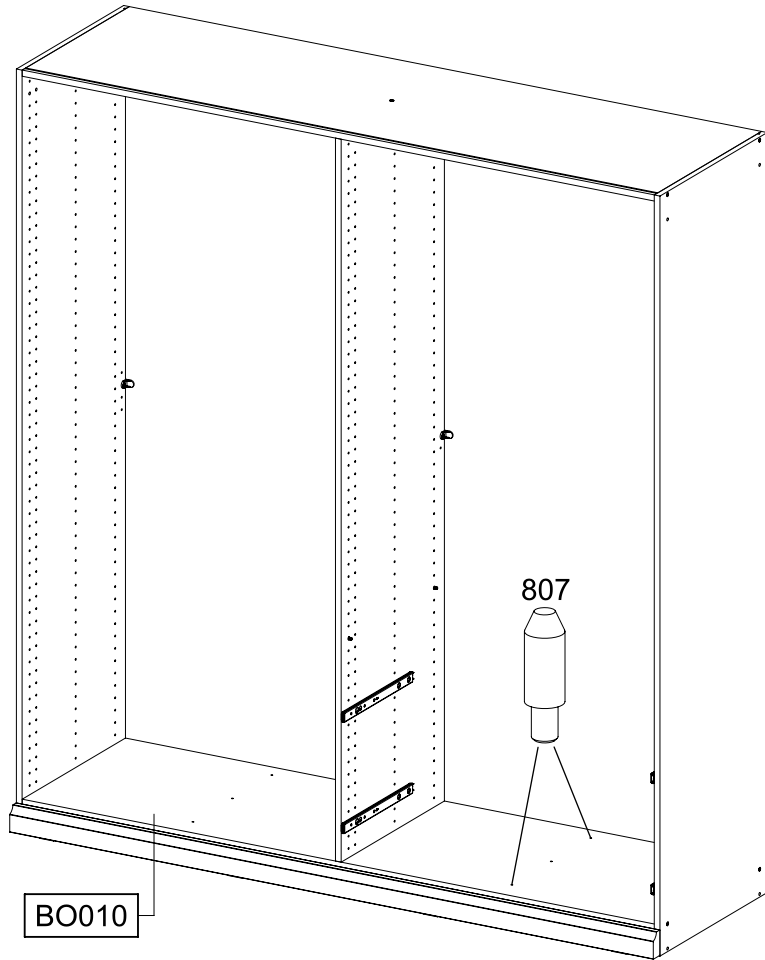




21

2x

807

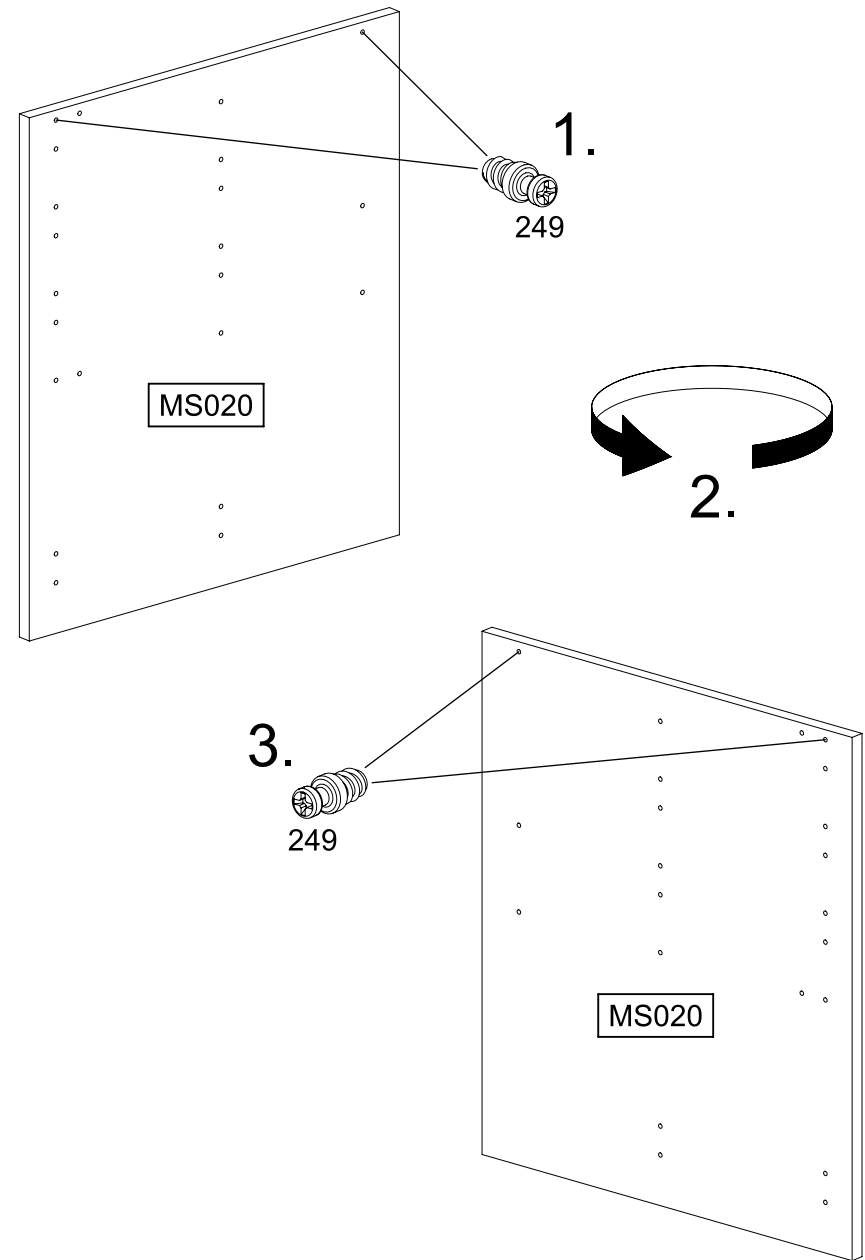
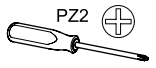


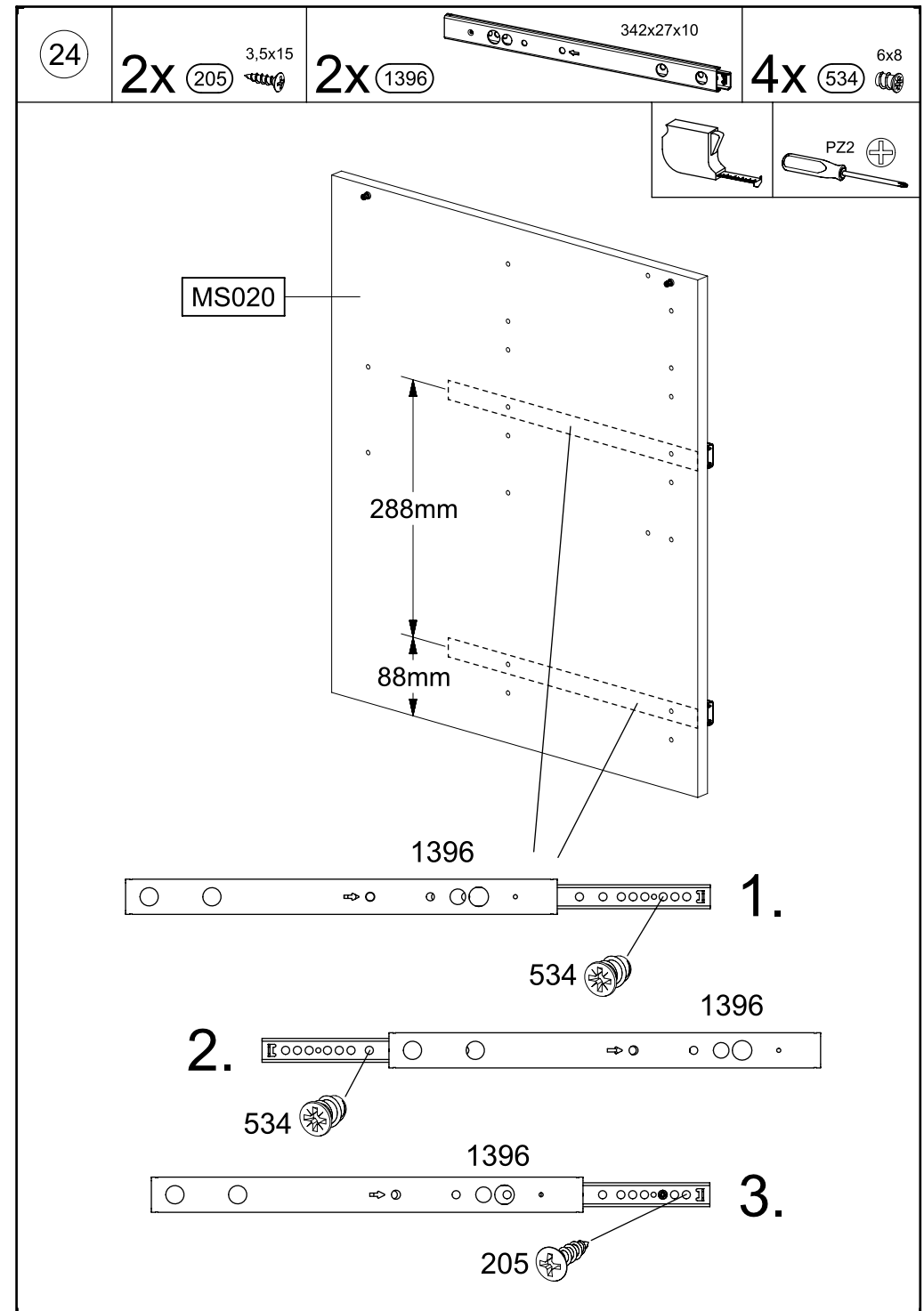
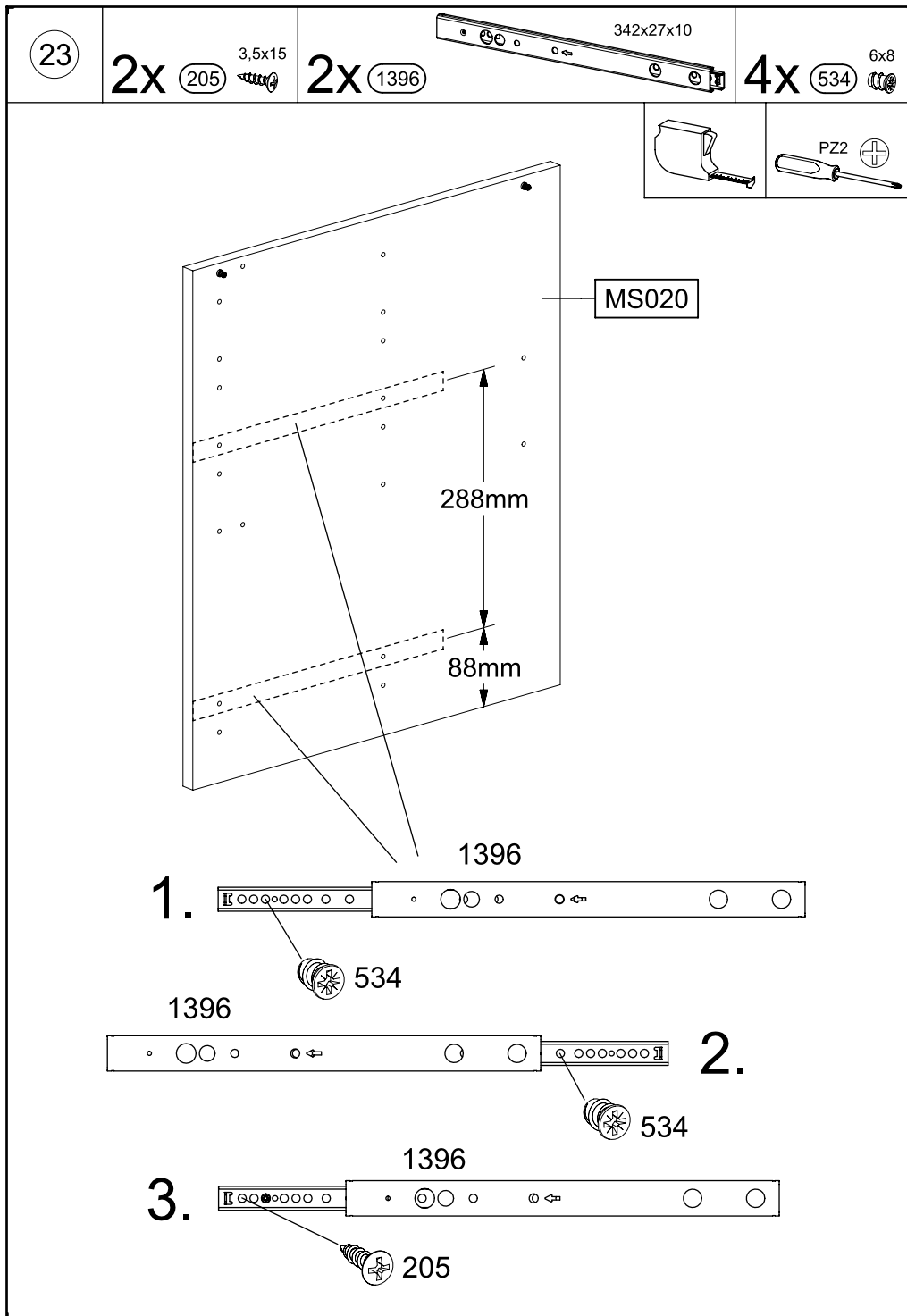
22

4x

249

5,0x7,0

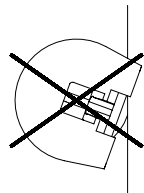
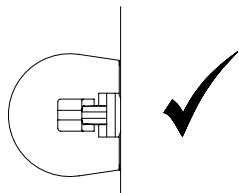
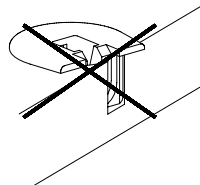
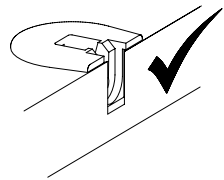
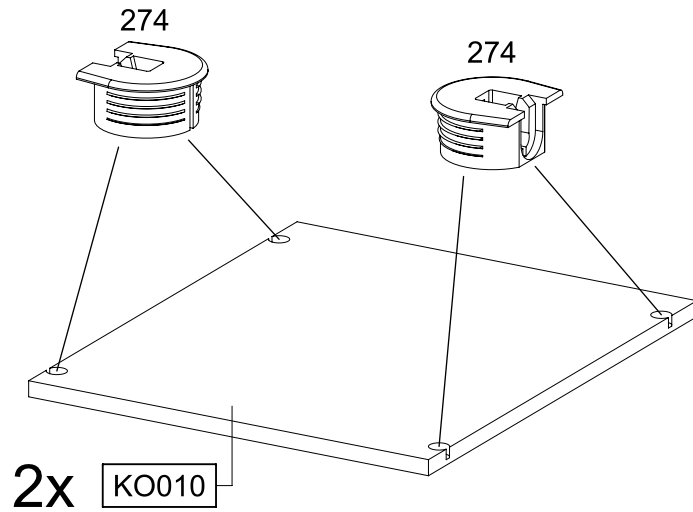
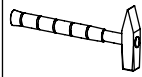




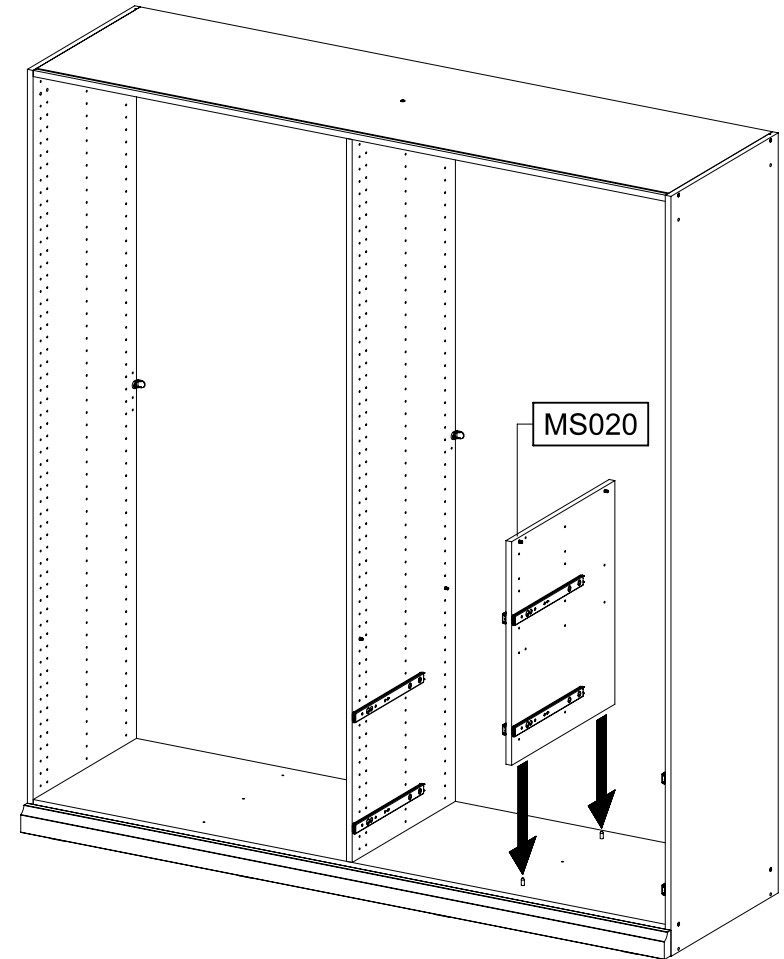
25

8x

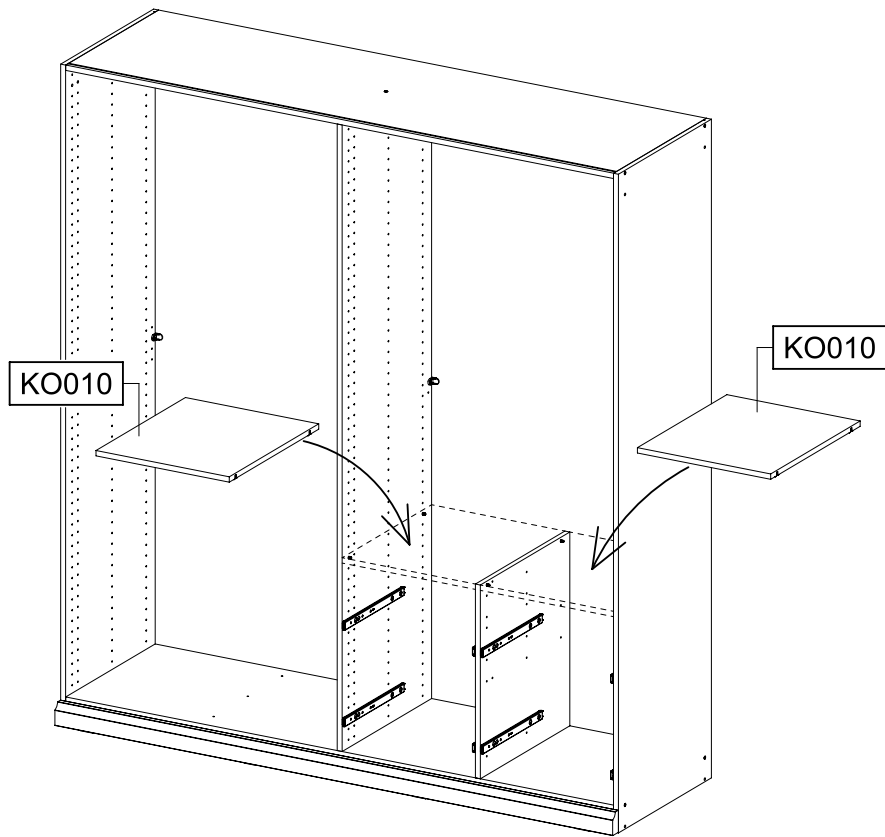
274



26



27



28

0-2x 12

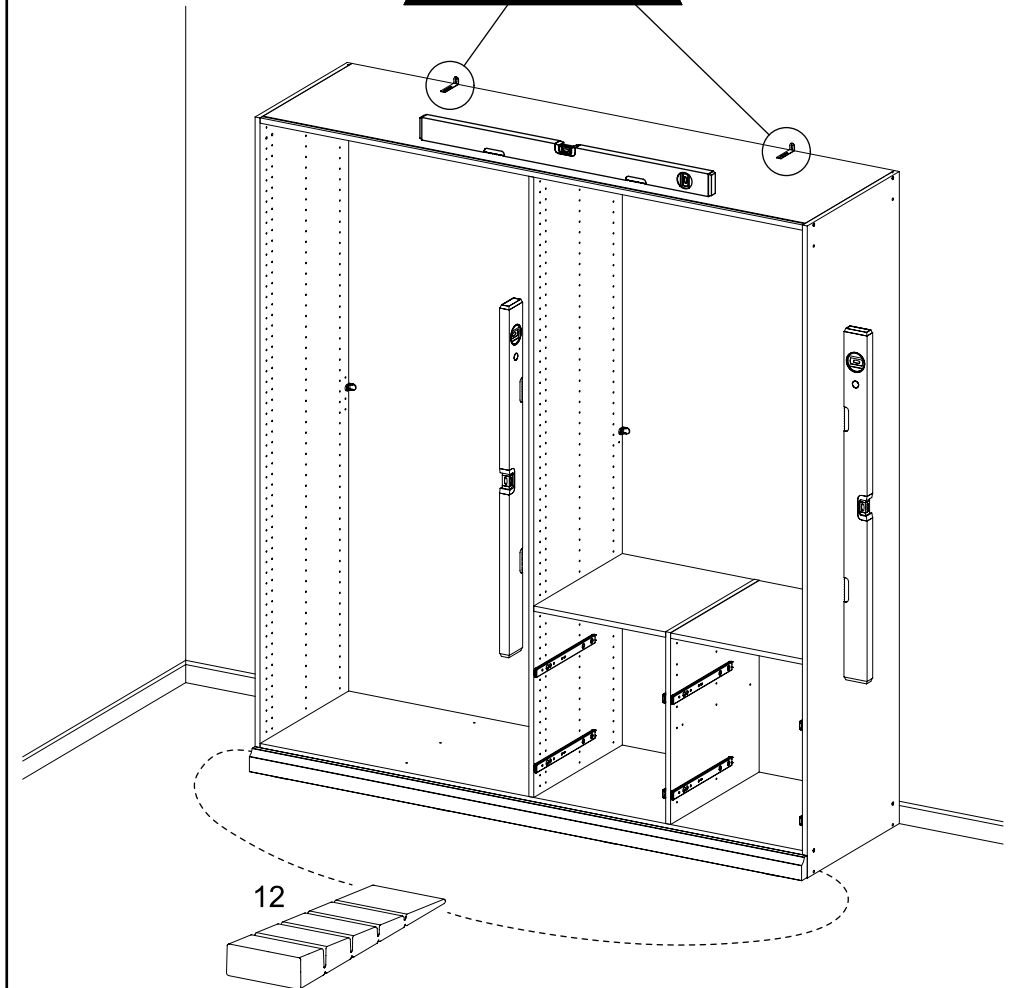
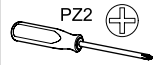
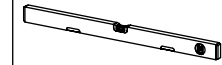
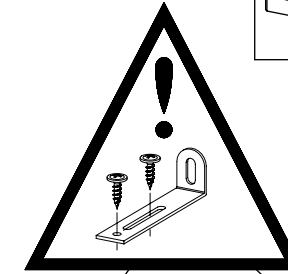
55x16x6,2

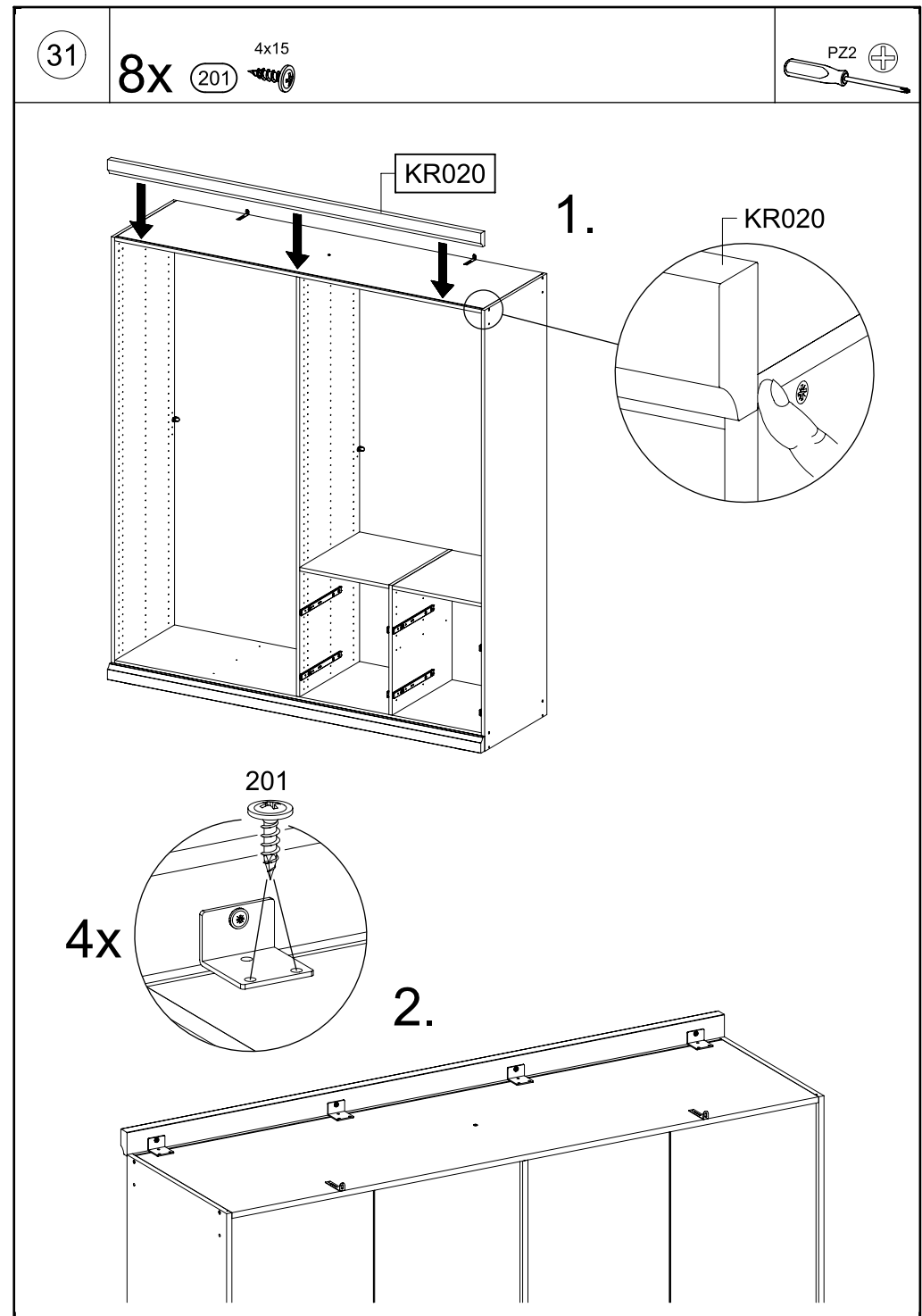
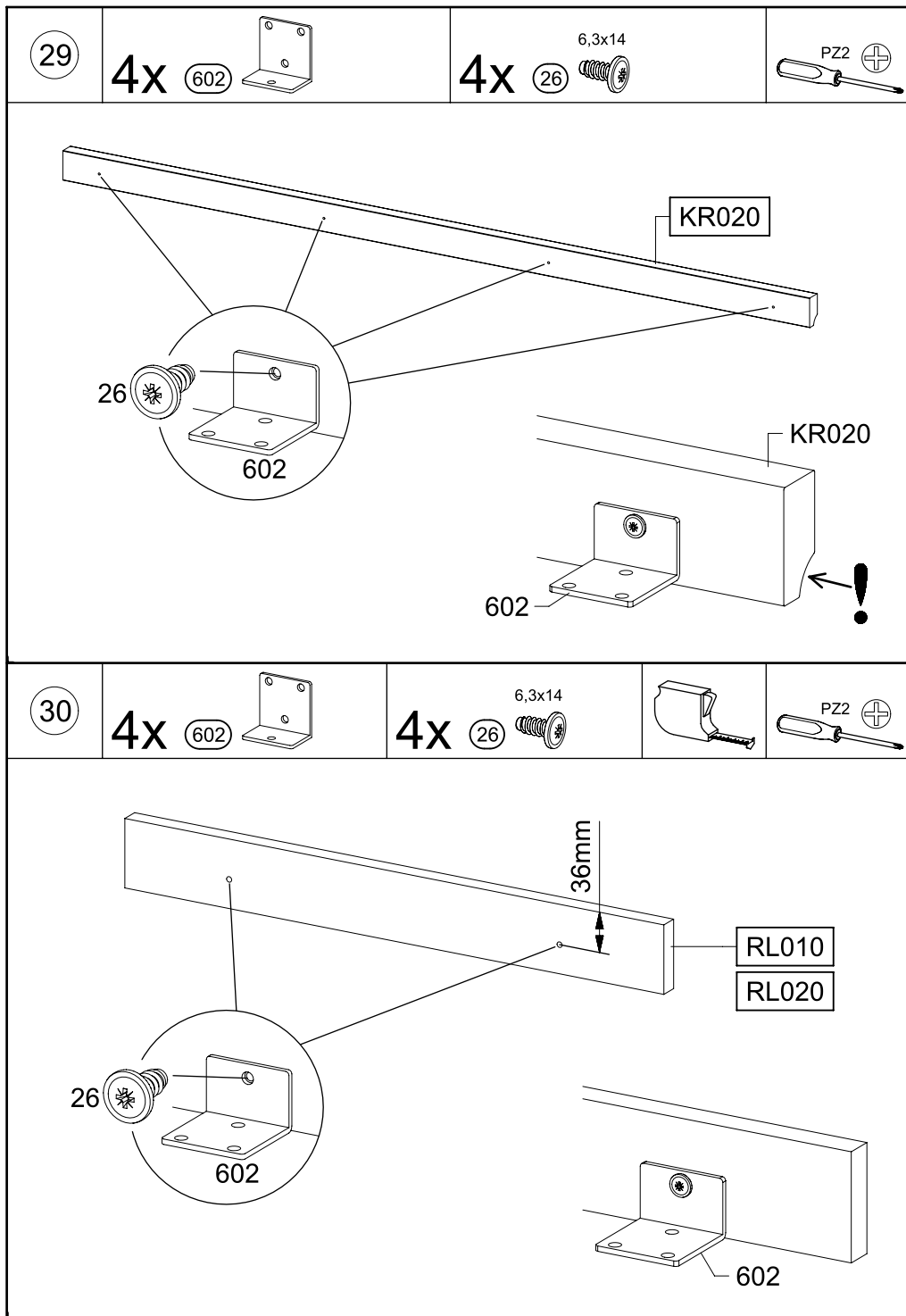
2x 68

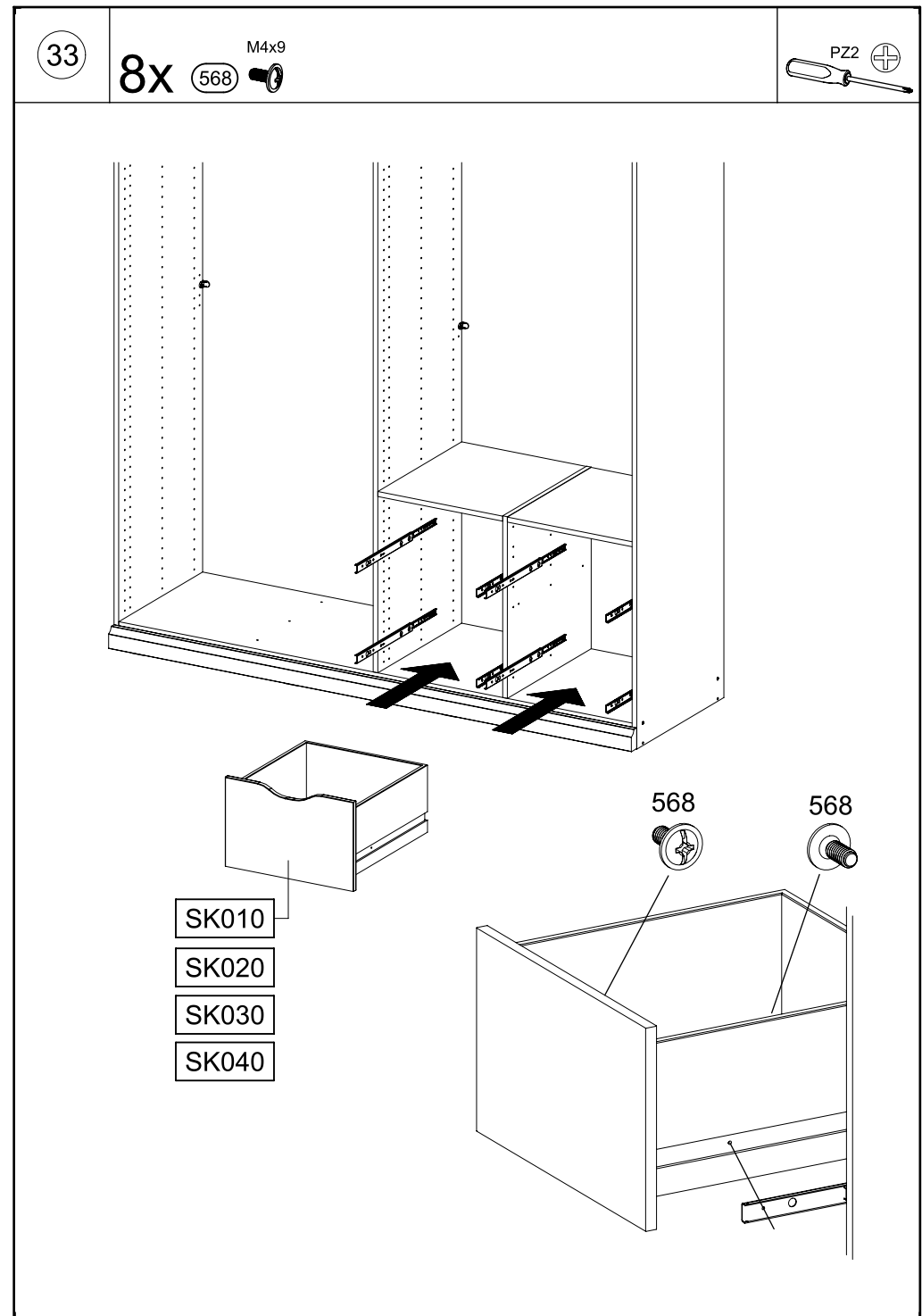
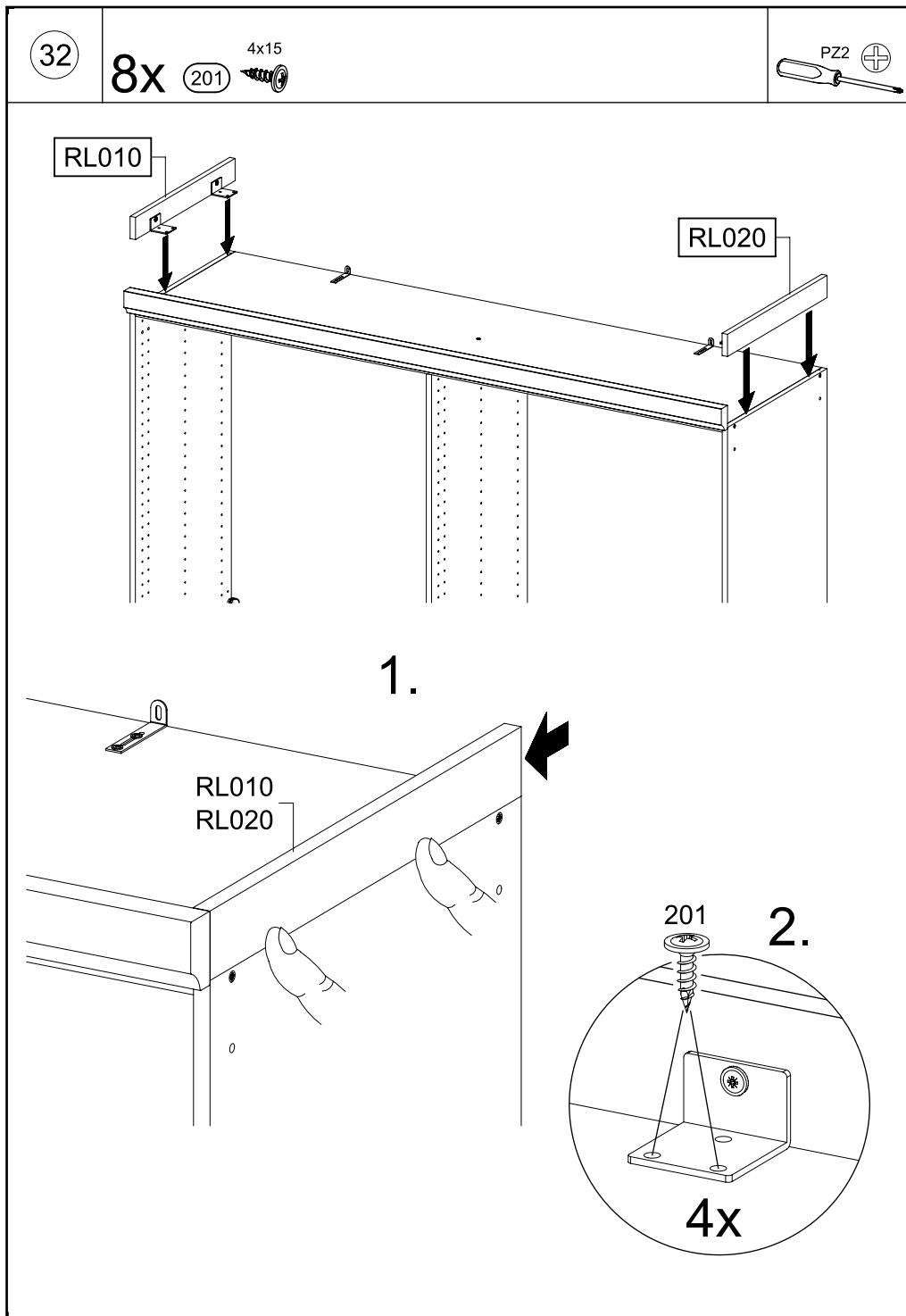
77x22x15

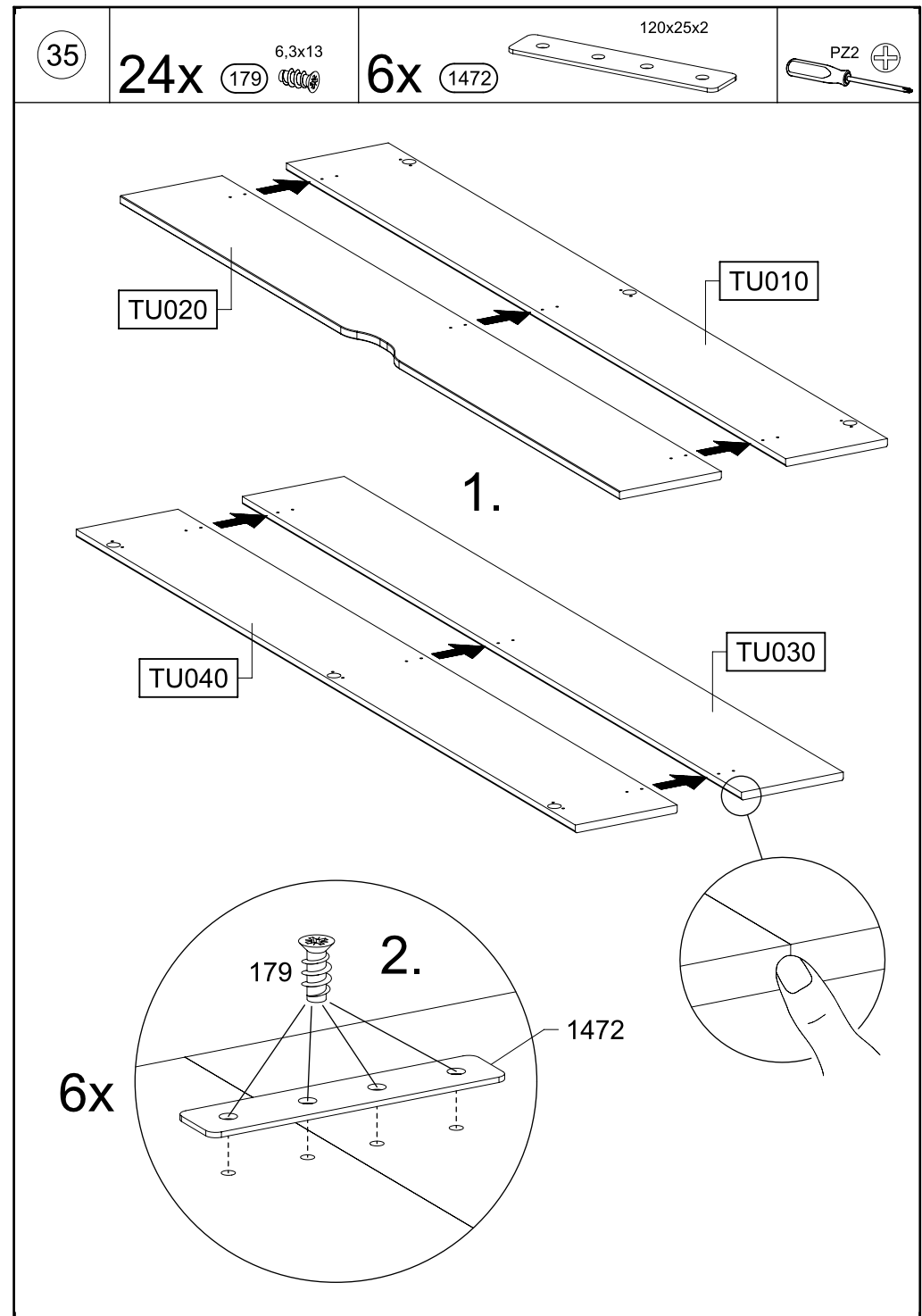
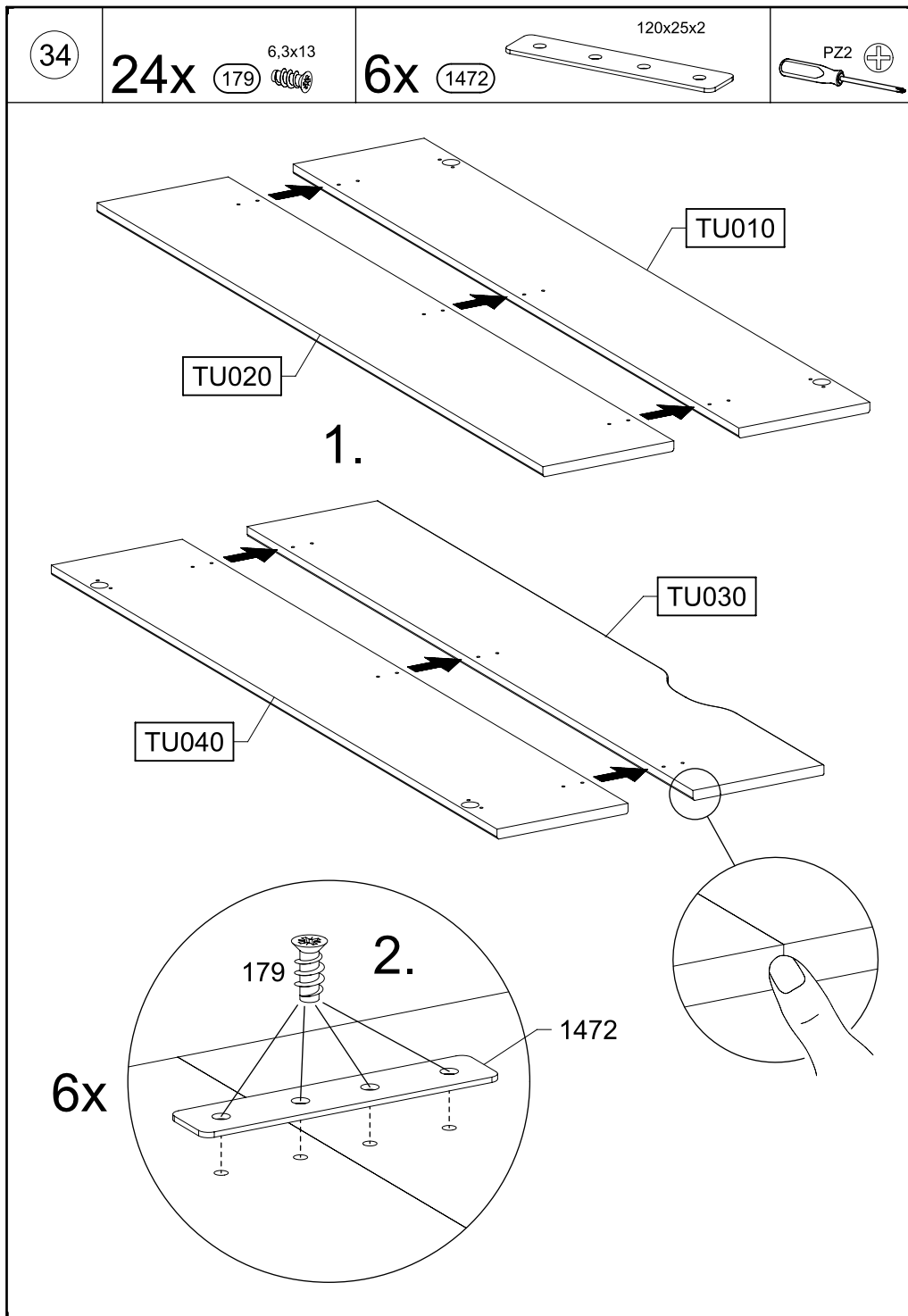
4x 201

4x15



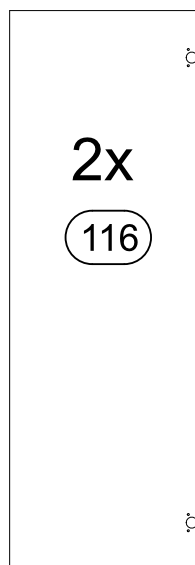
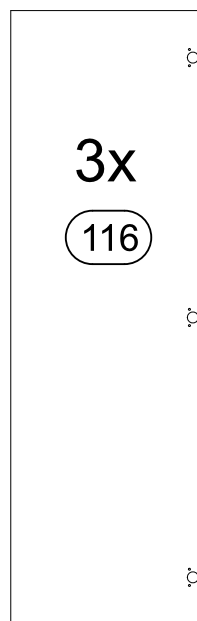
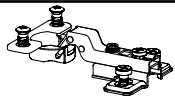






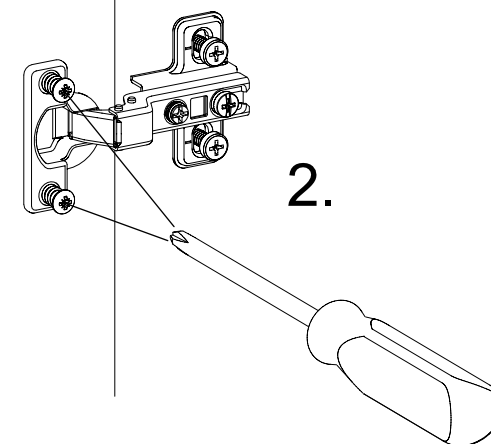
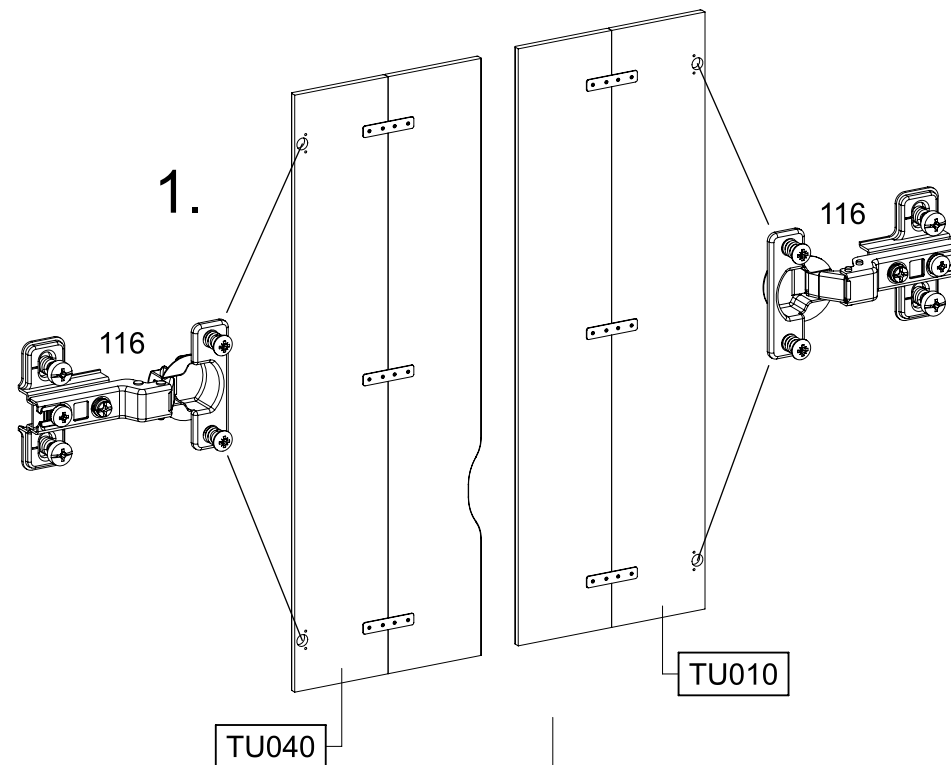
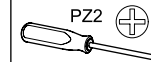
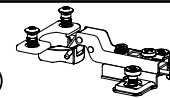
36

116



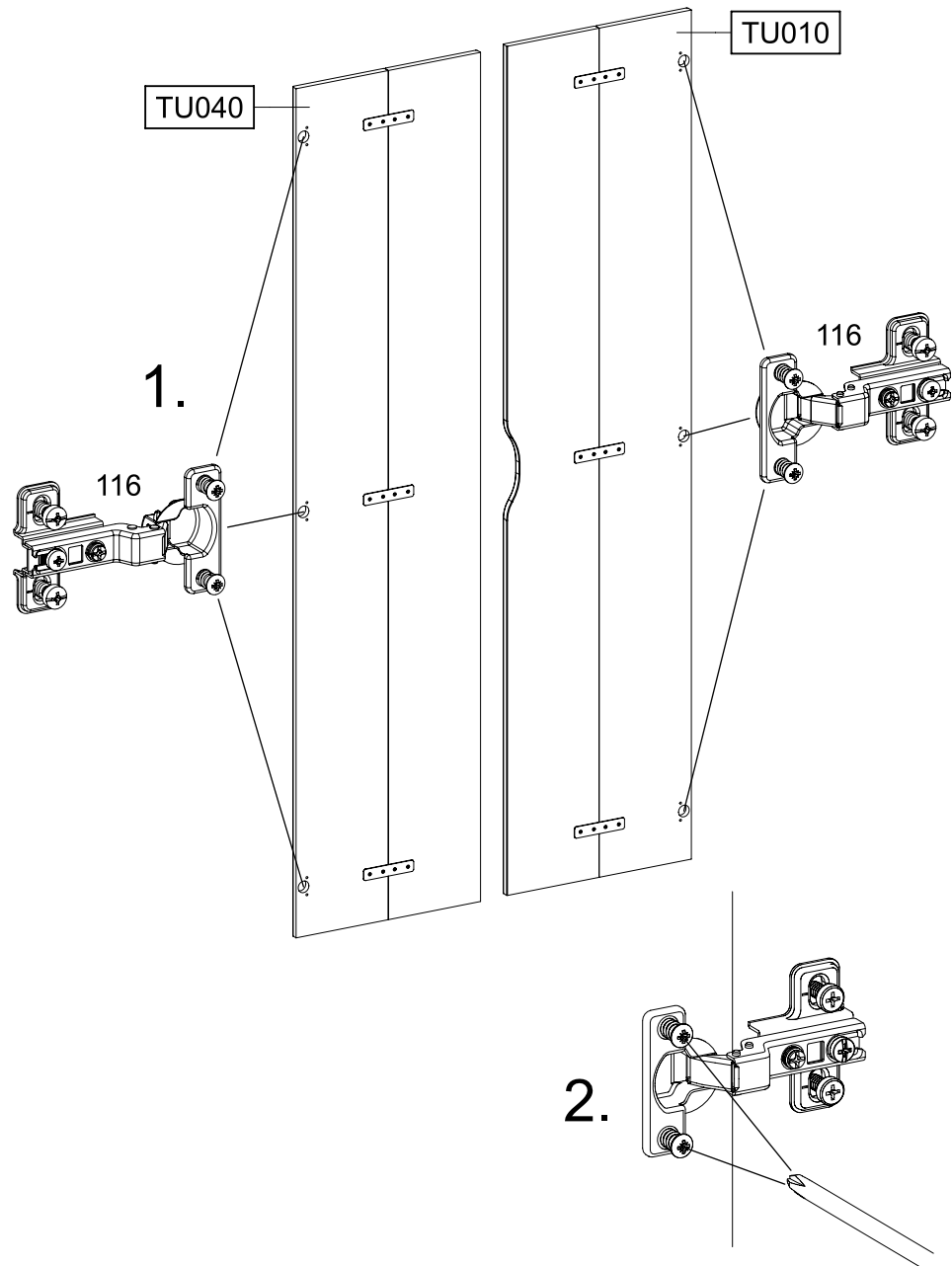
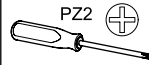
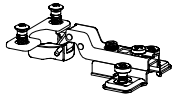
37

4x 116



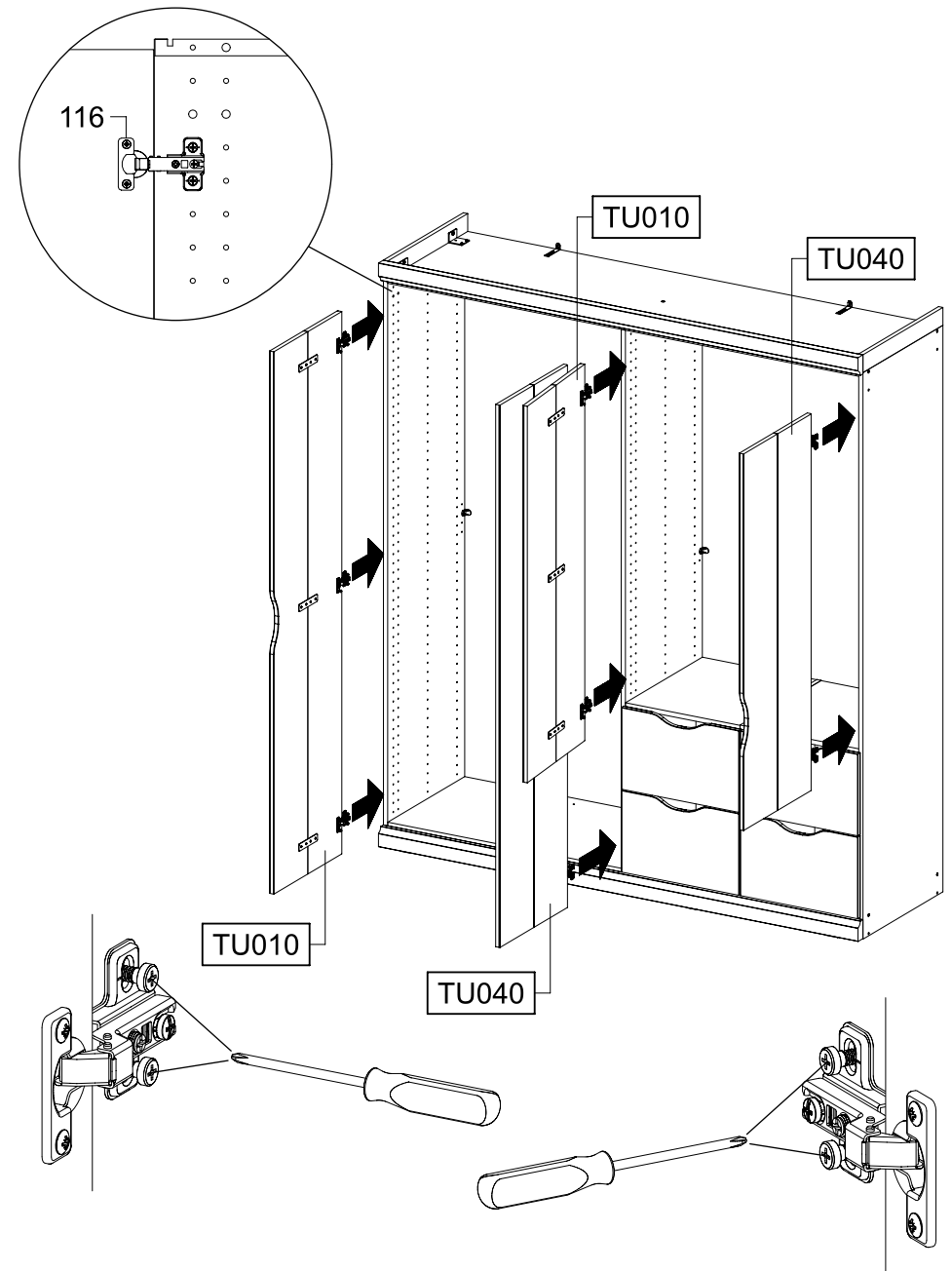
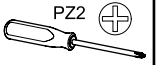
38

6x 116



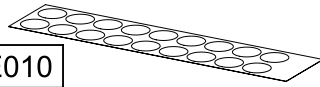
39

PZ2

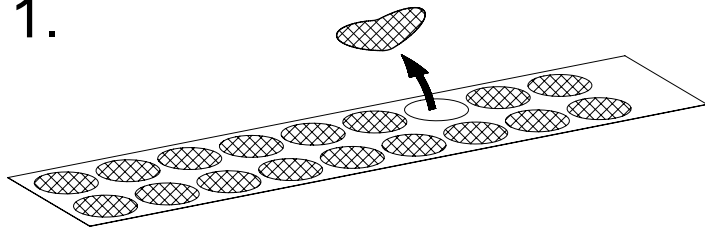


40

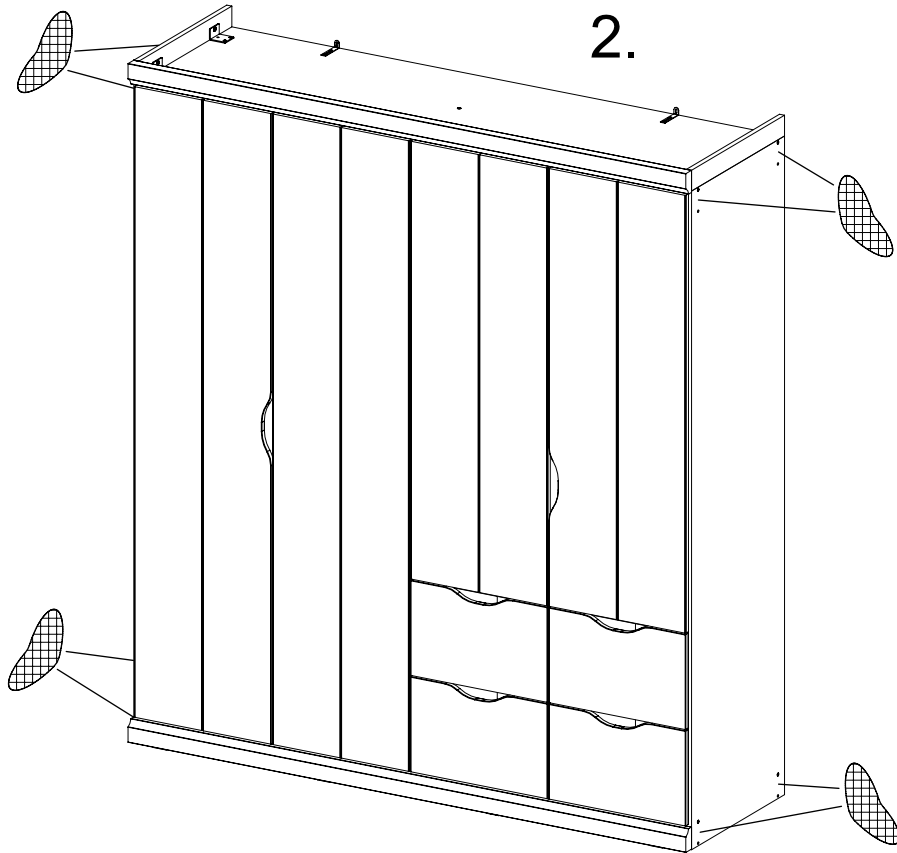
1x RE010



1.



2.



41

PZ2

