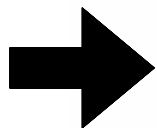
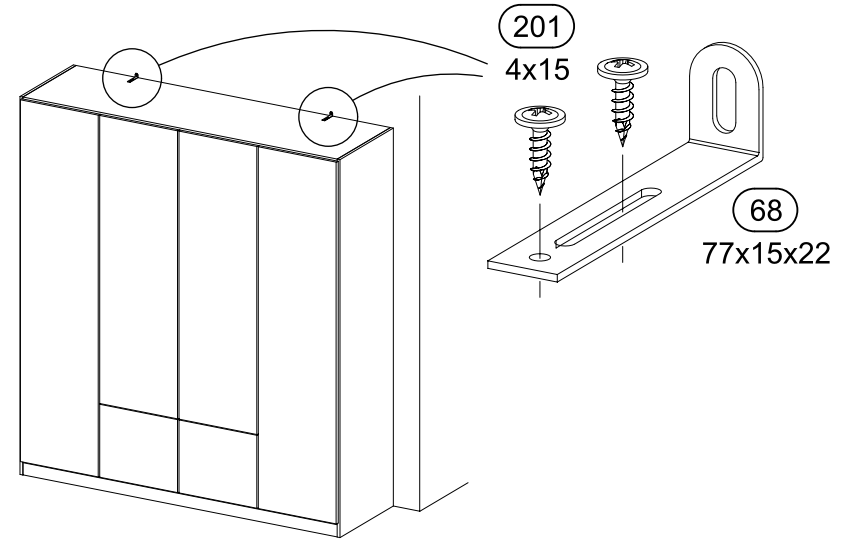
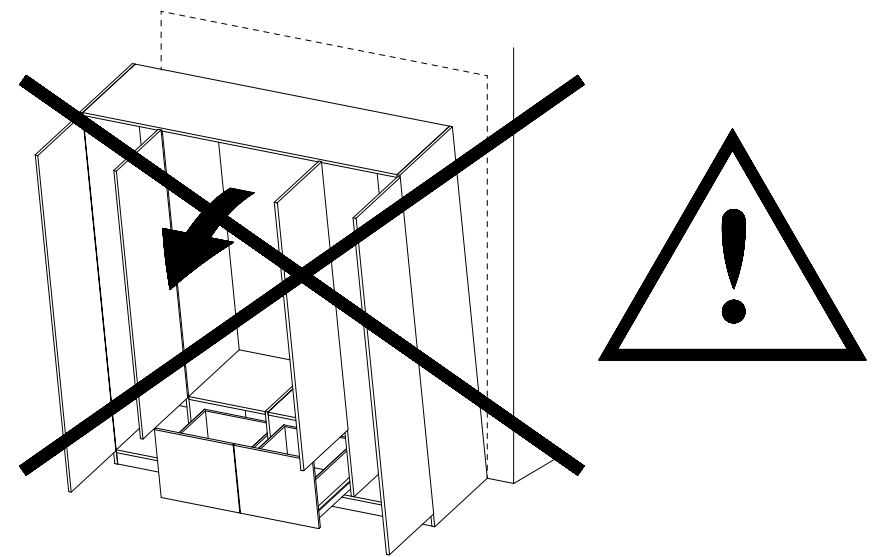
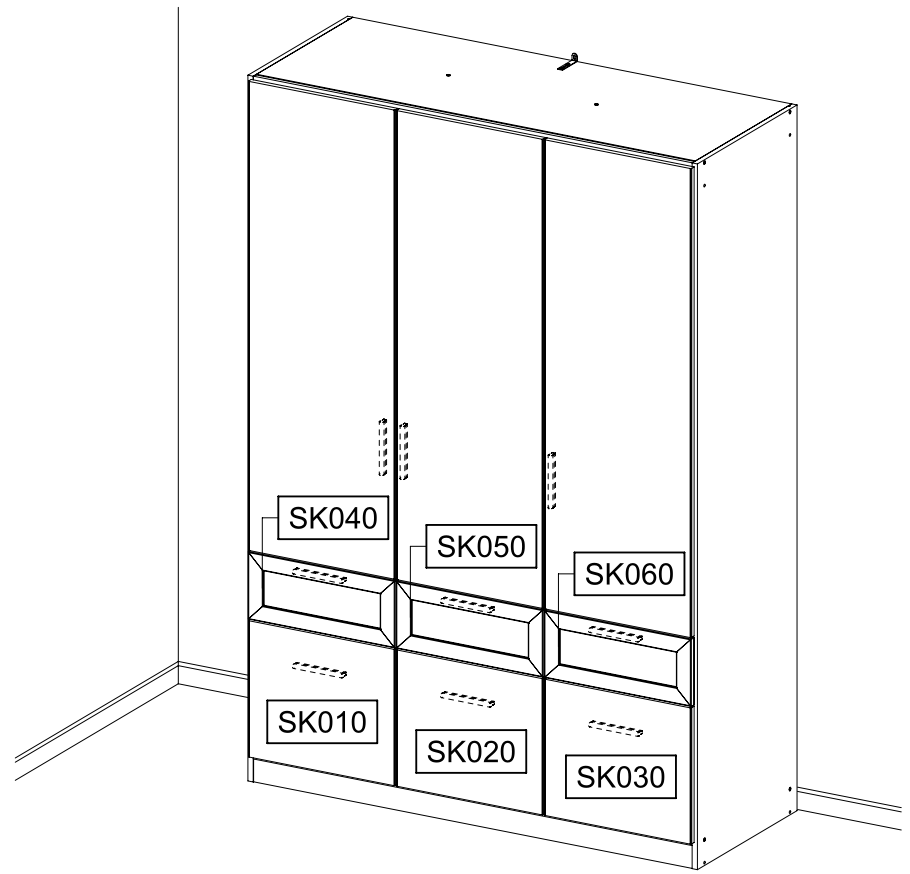
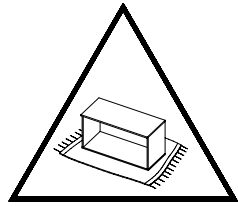
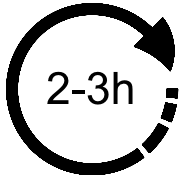
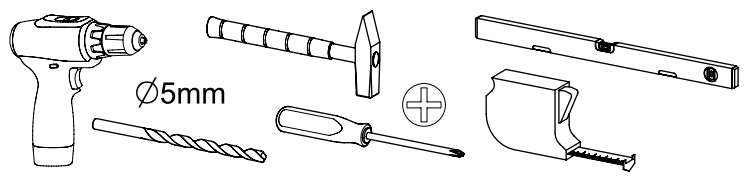
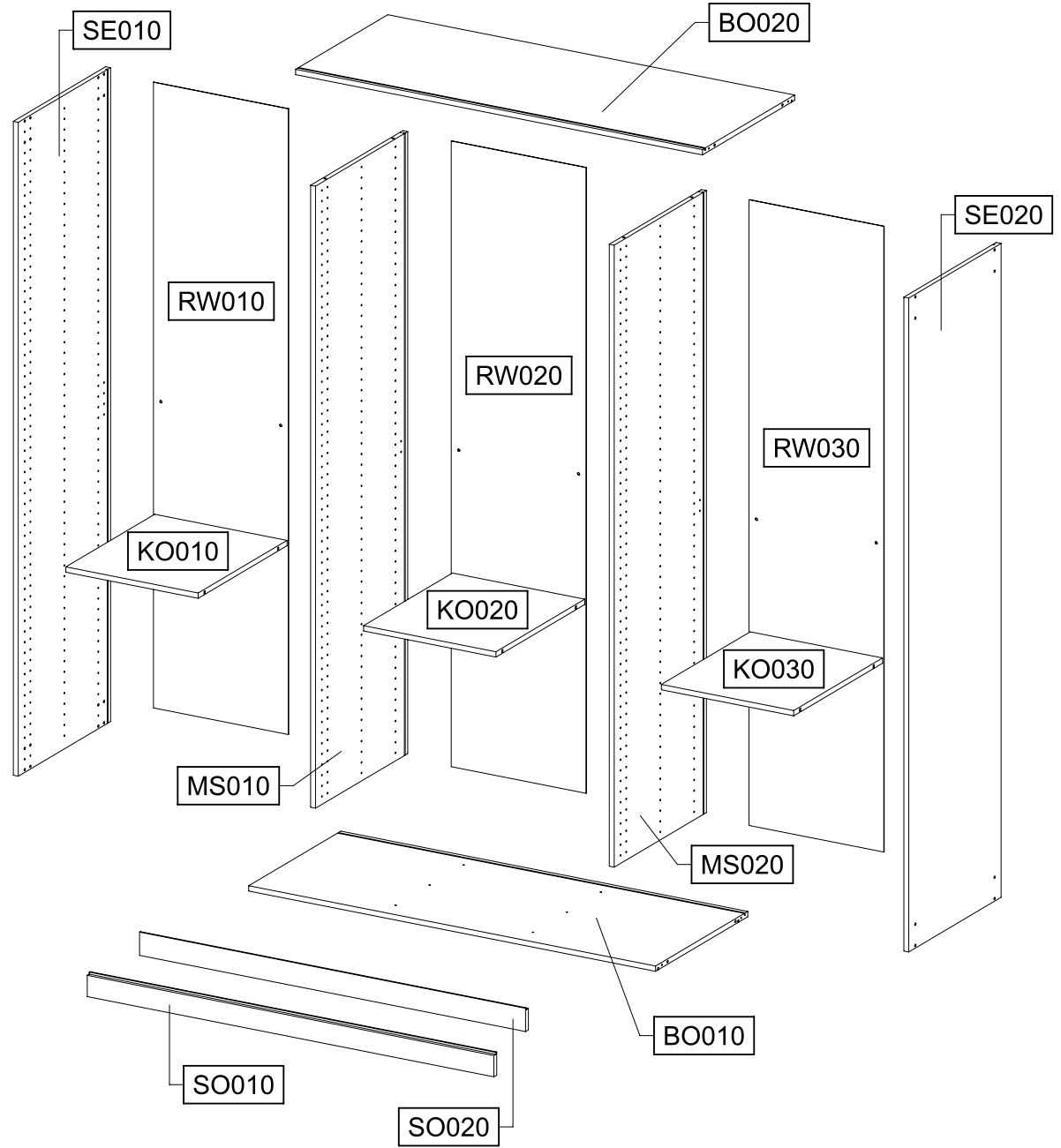
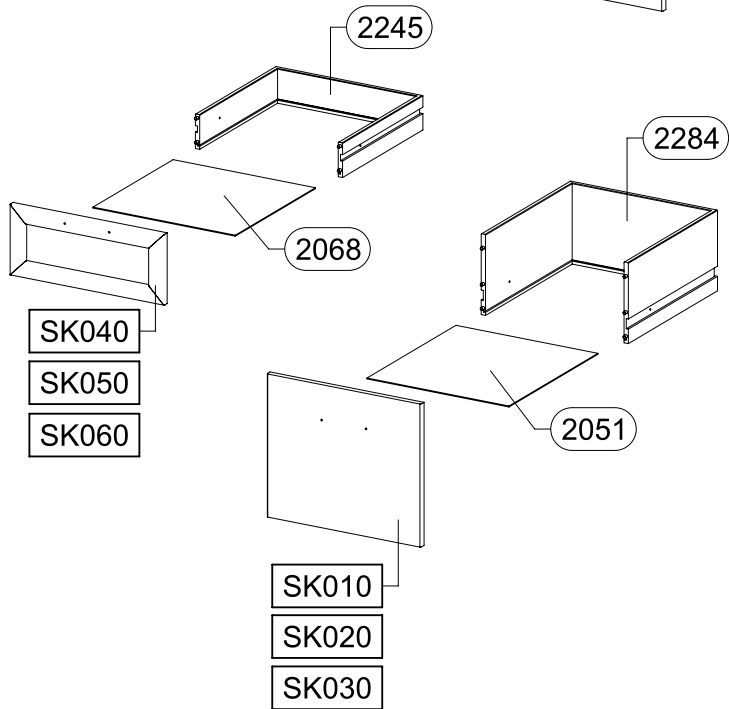
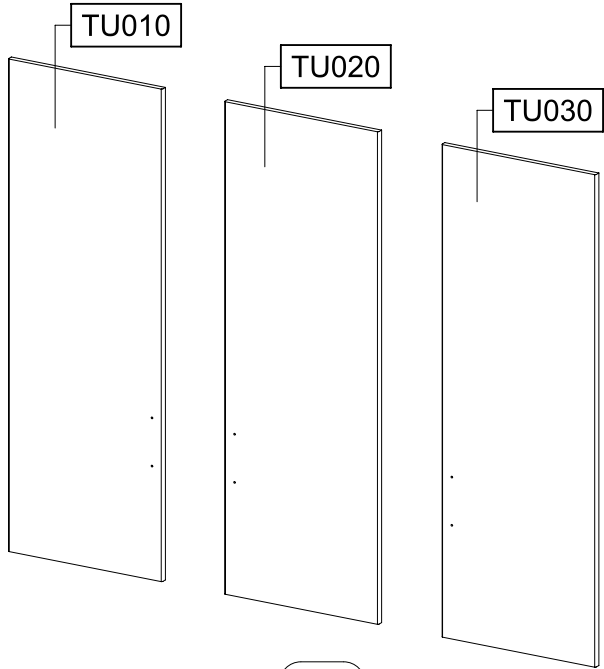
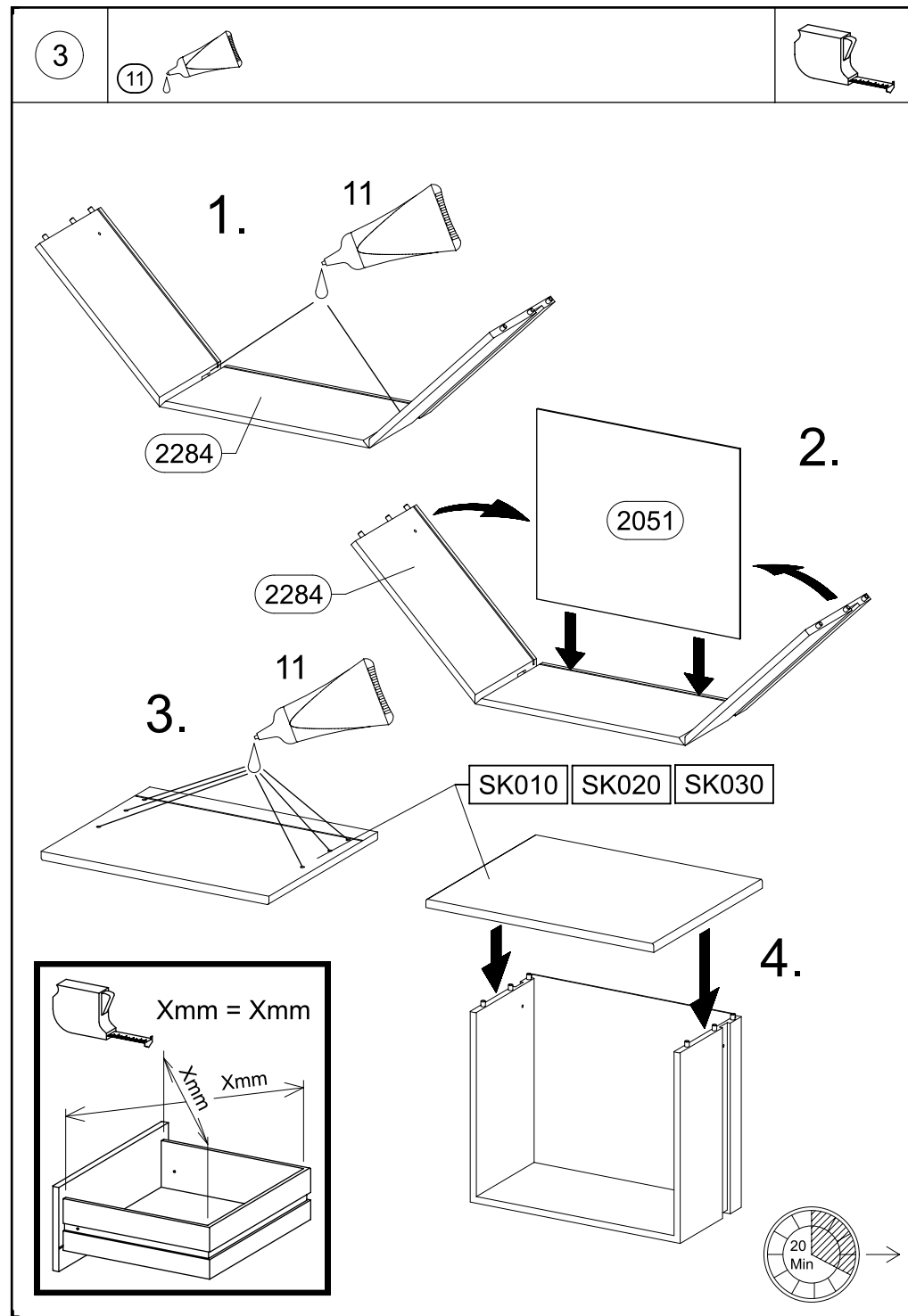
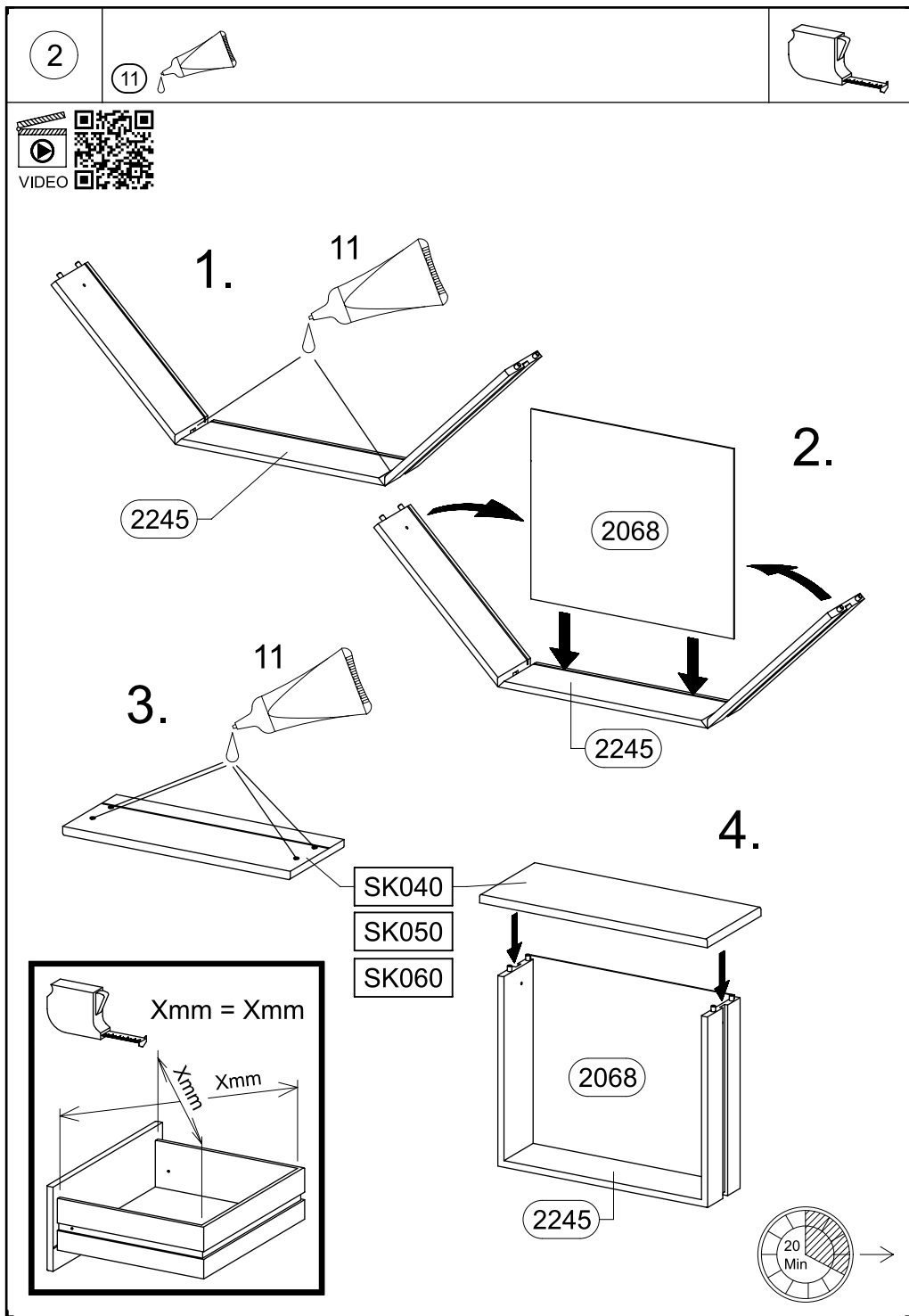
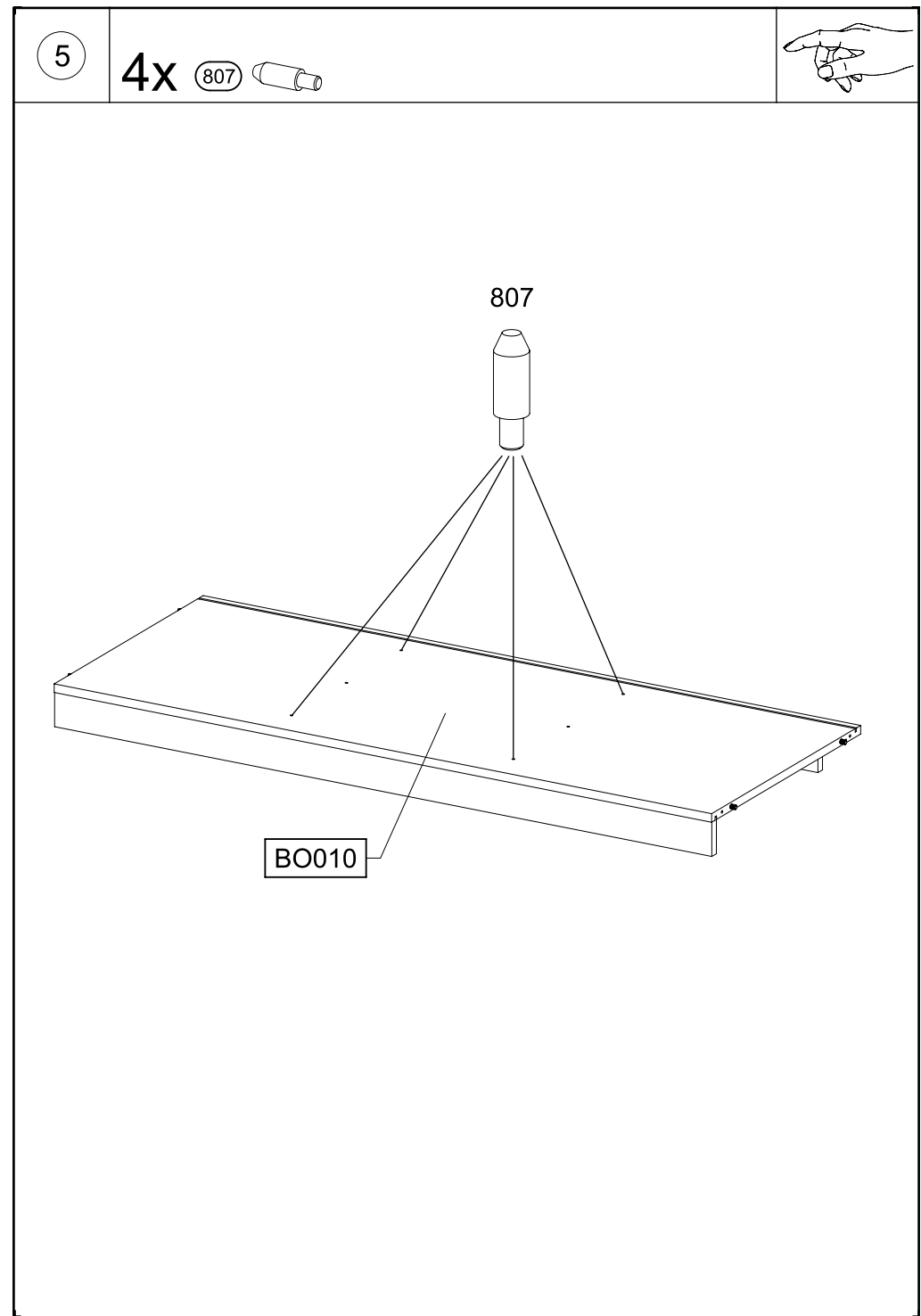
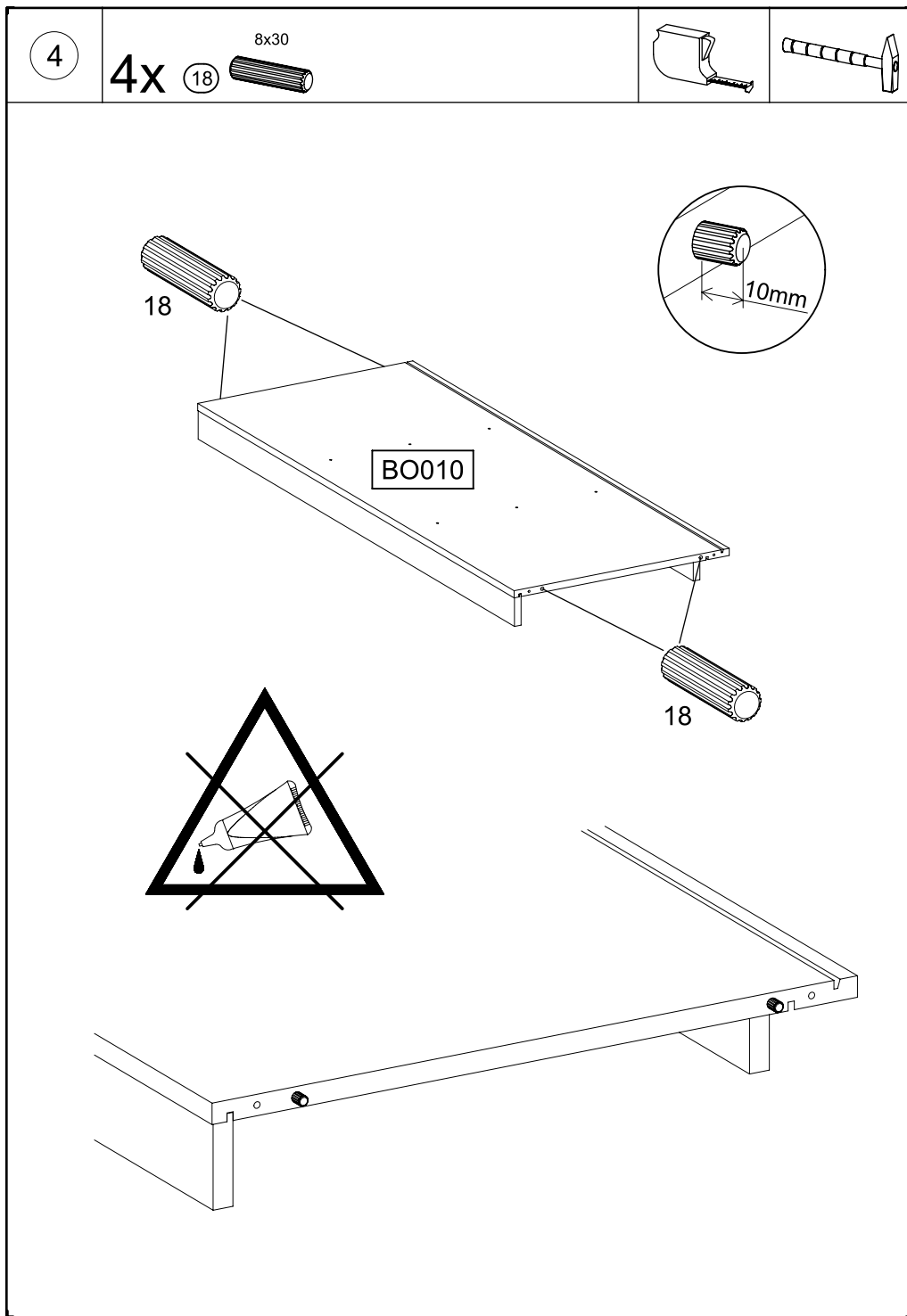


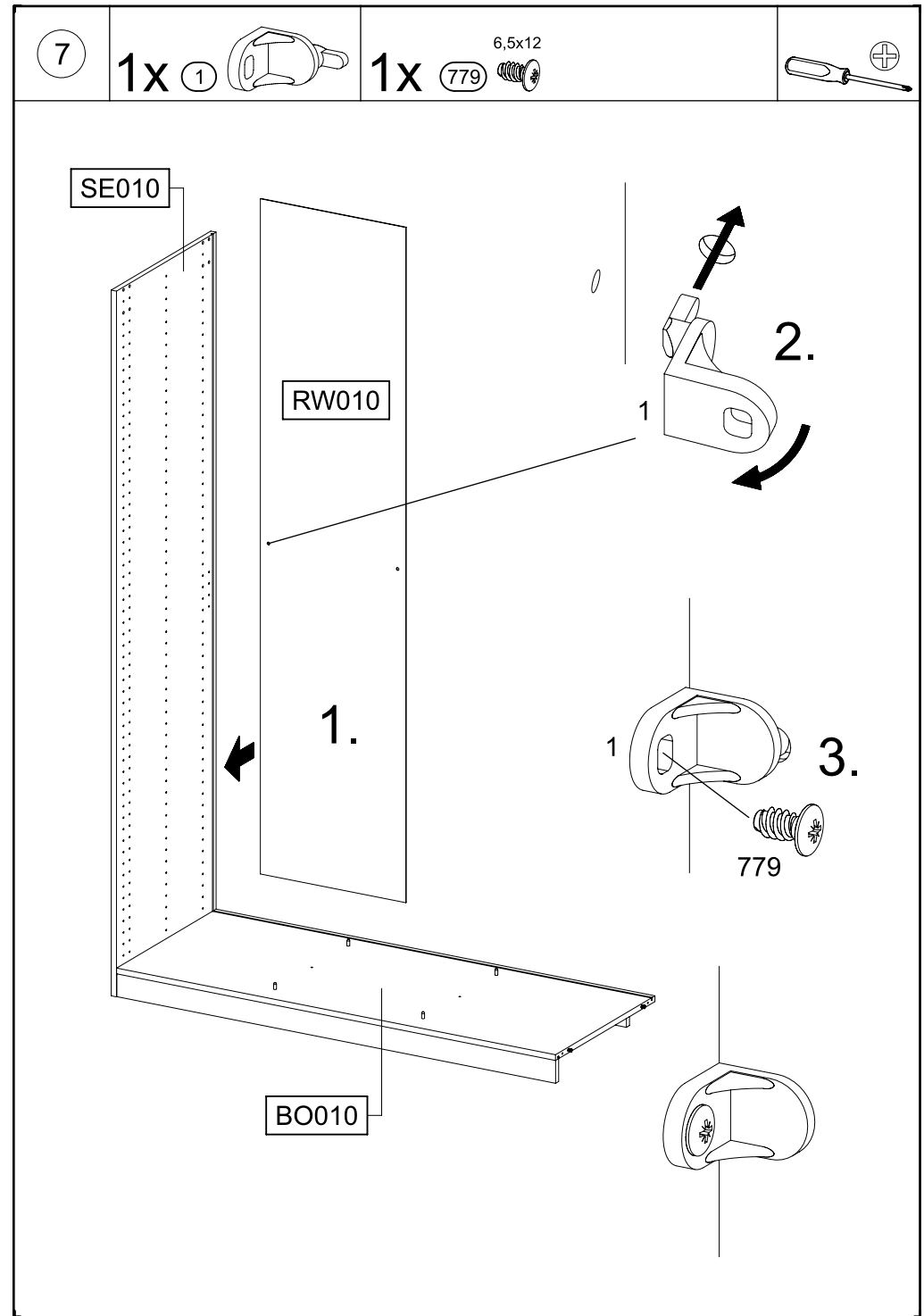
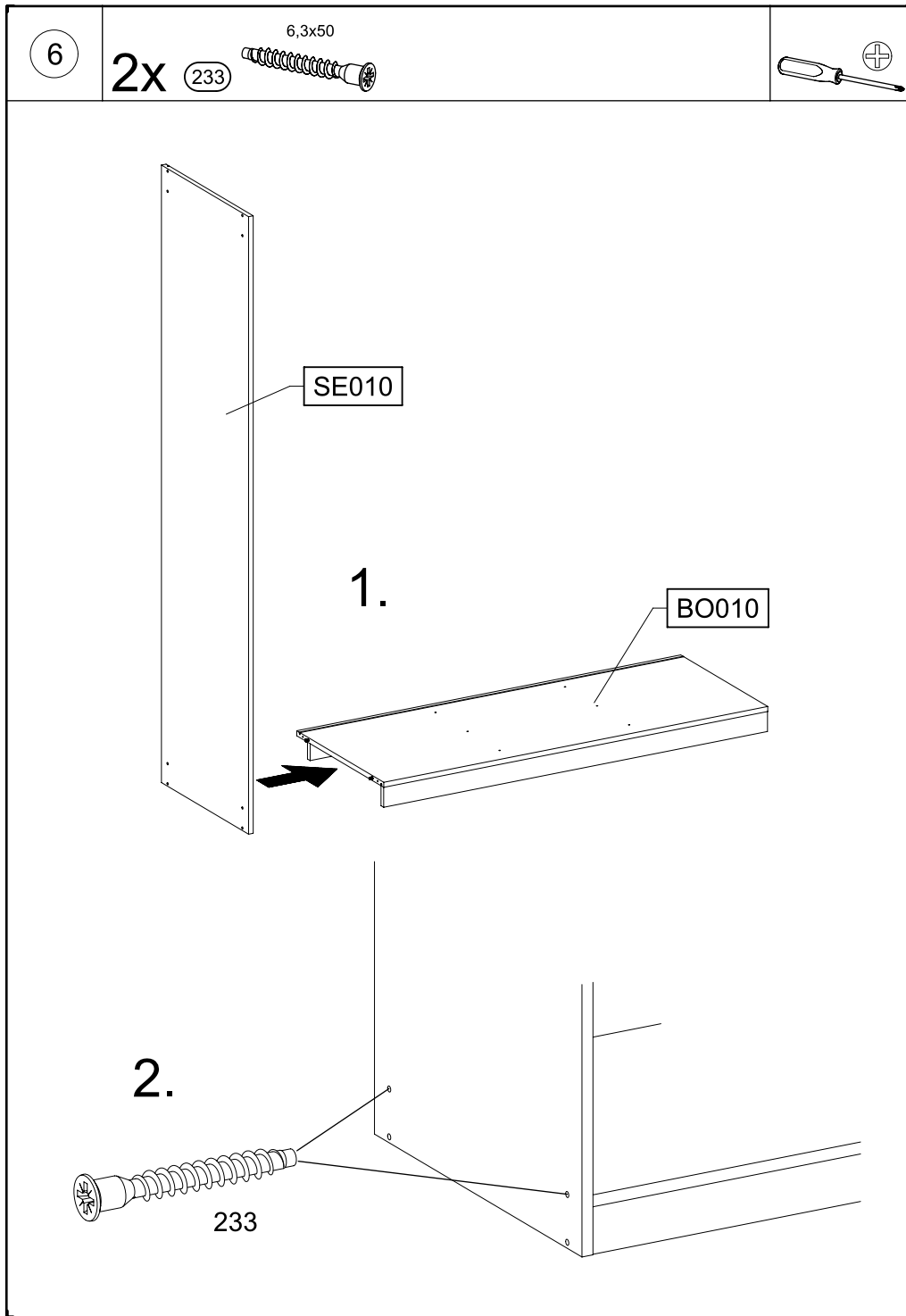
M3009_01

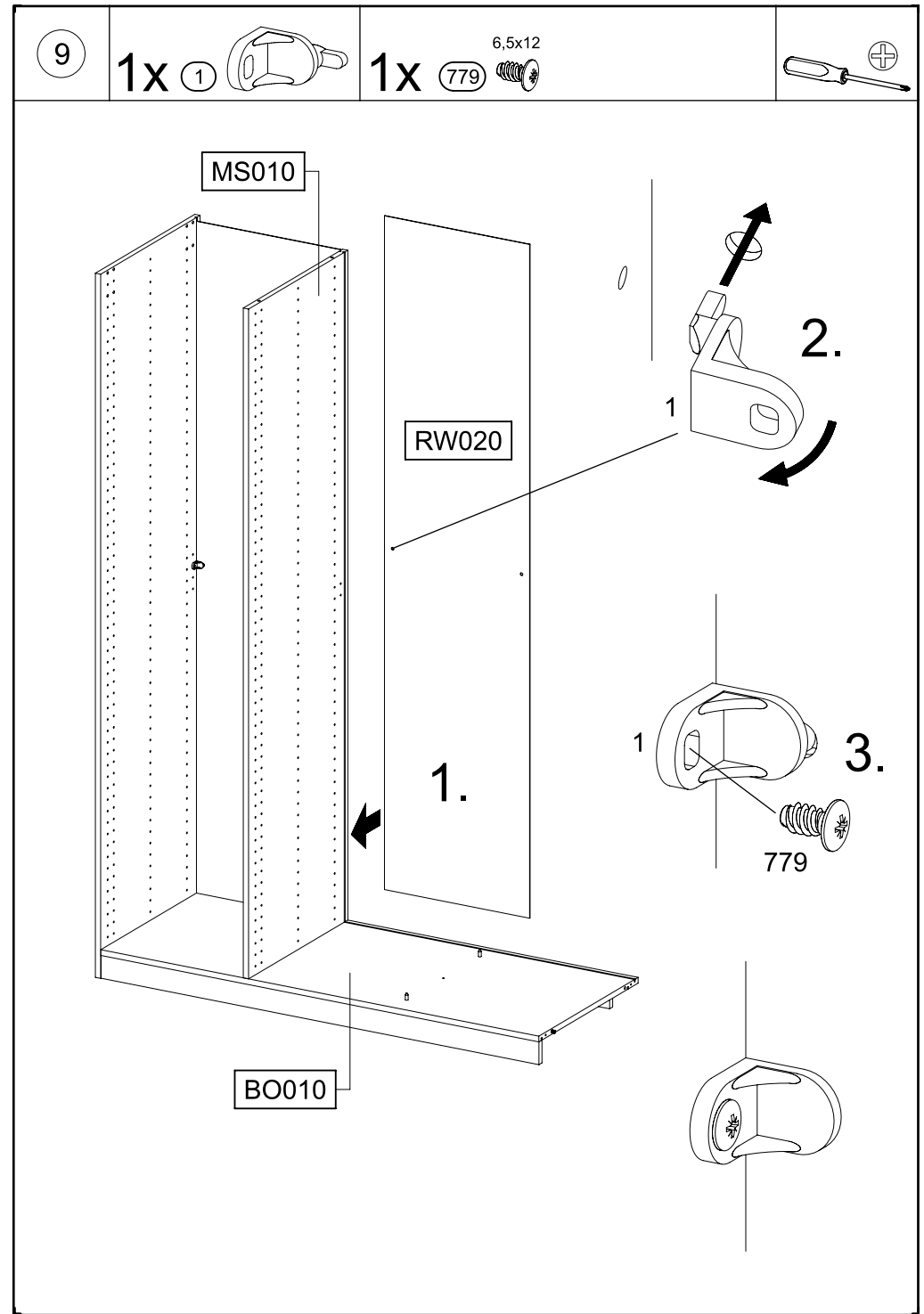
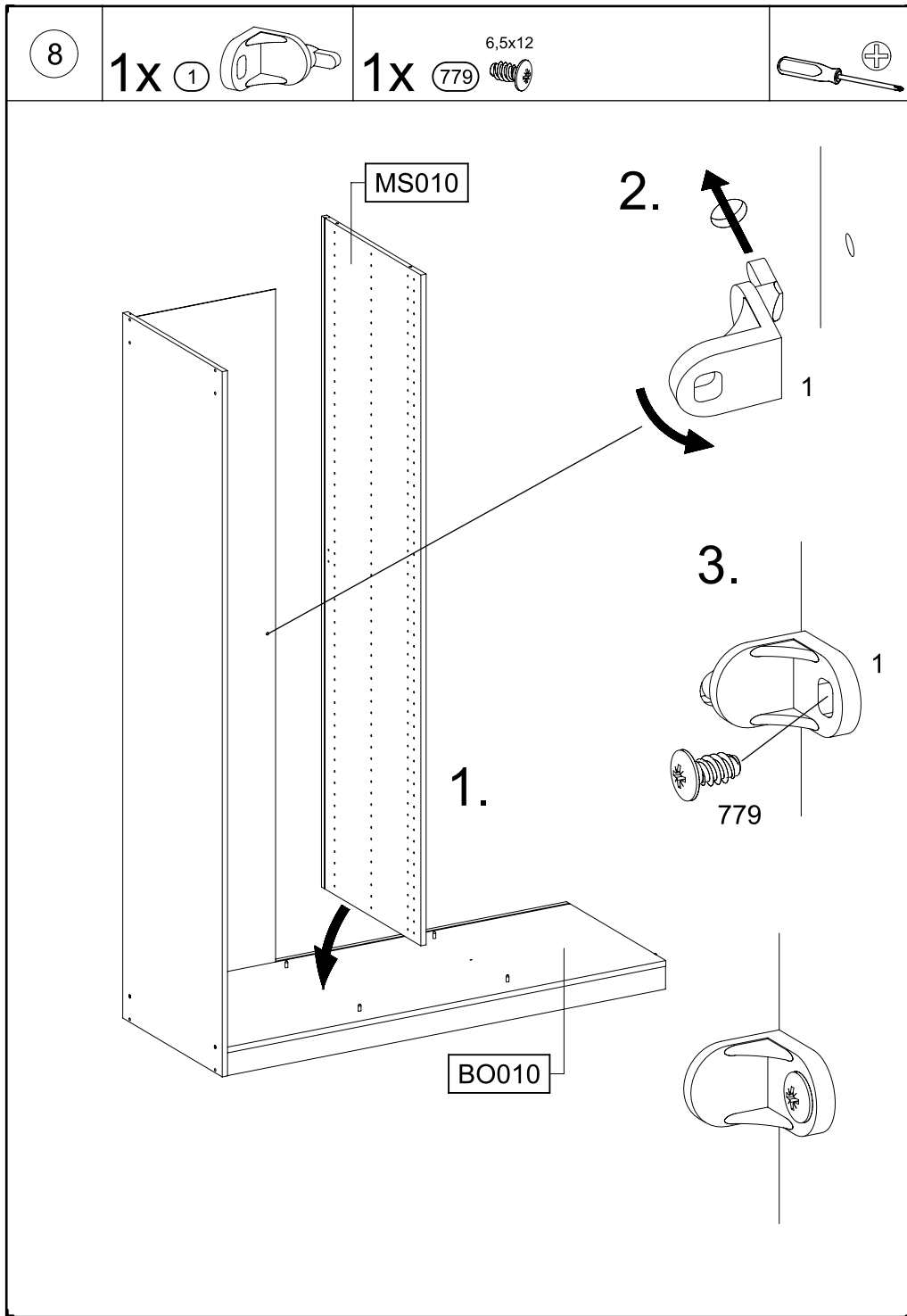


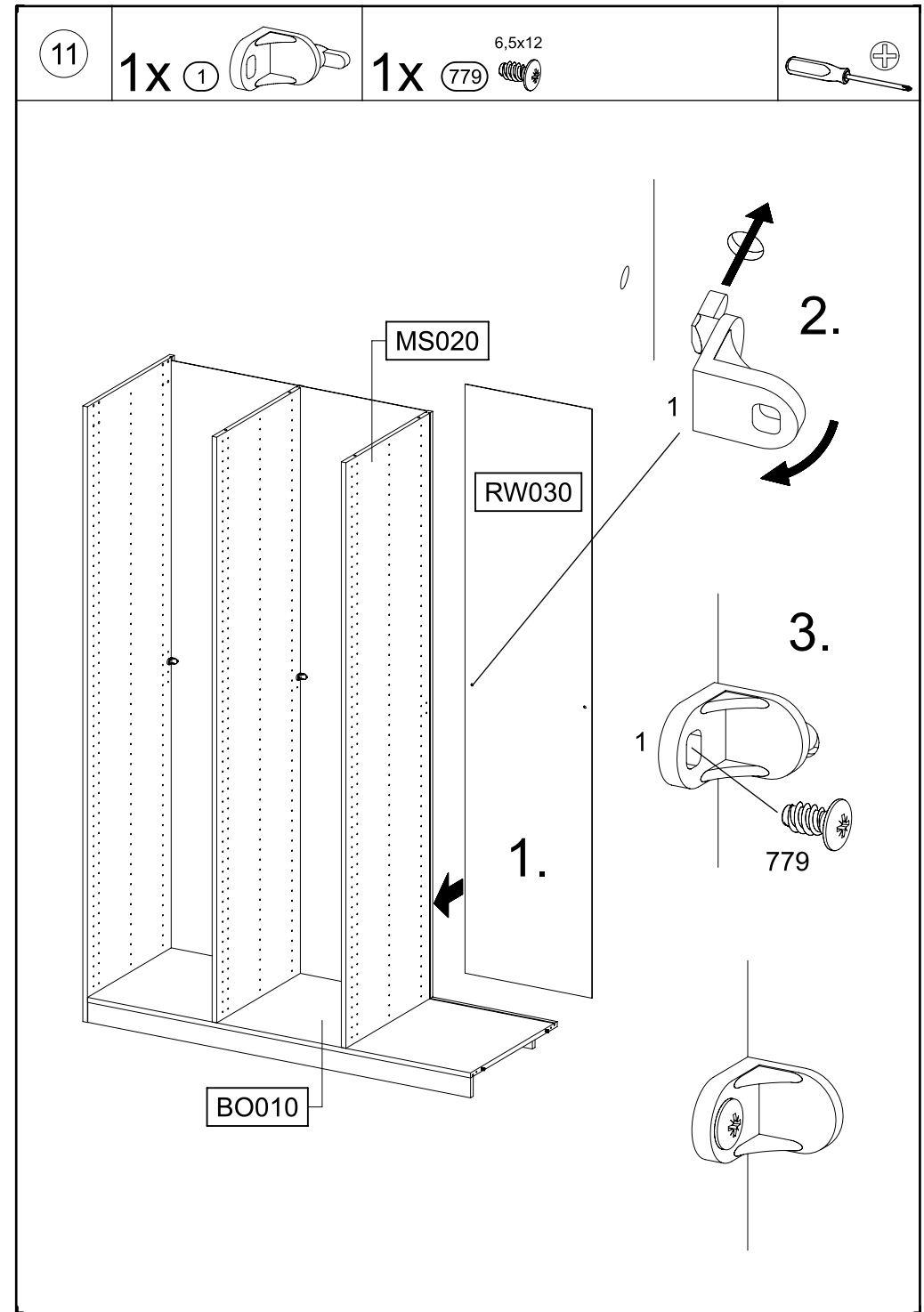
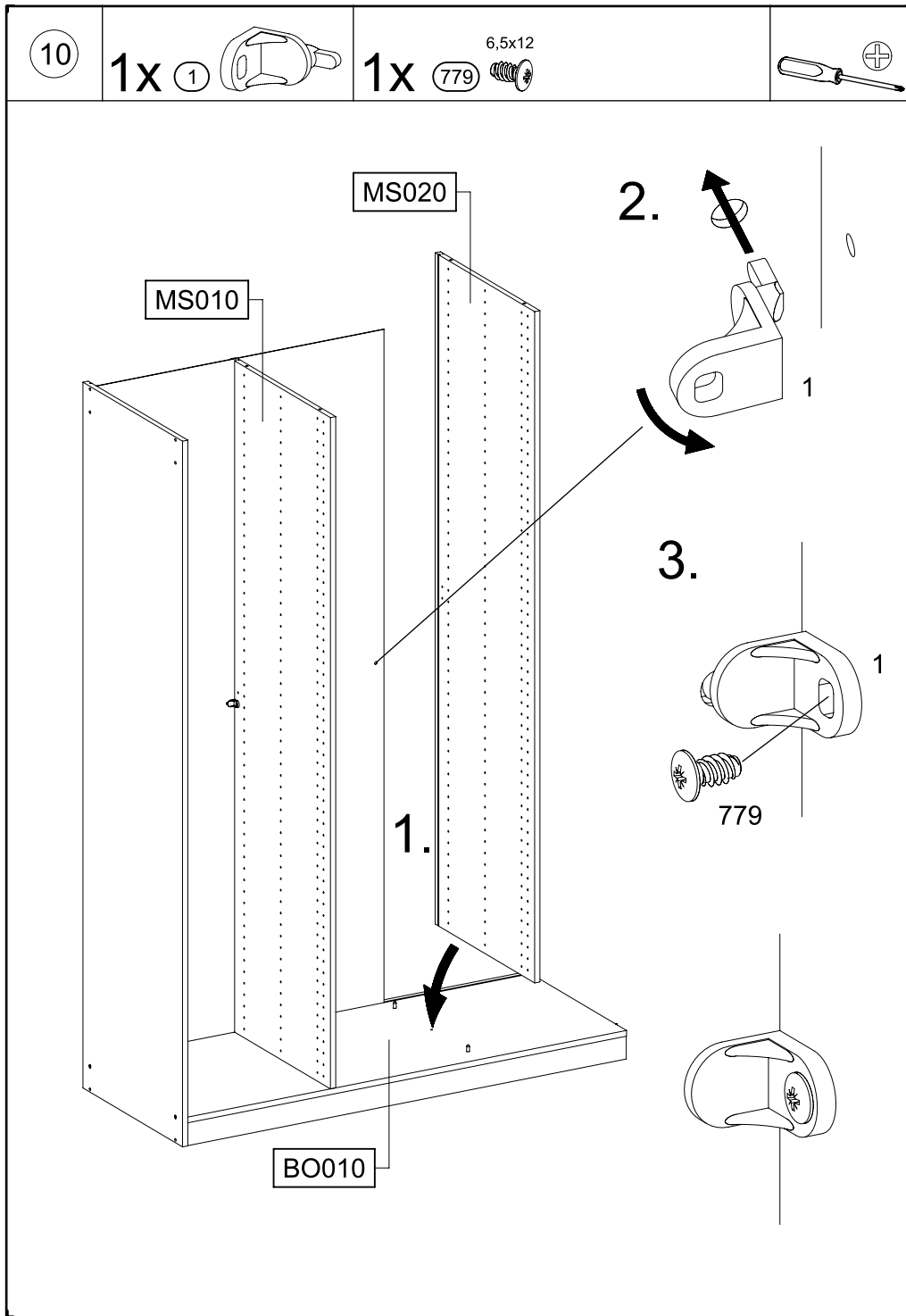












12

4x

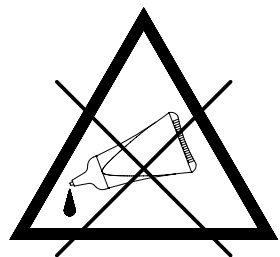
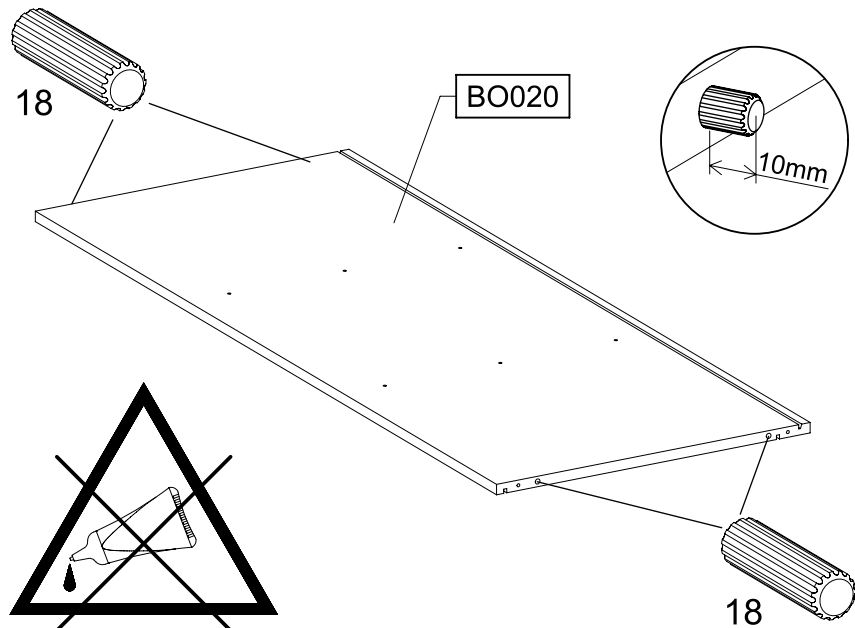
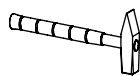
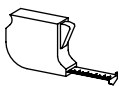
18

8x30

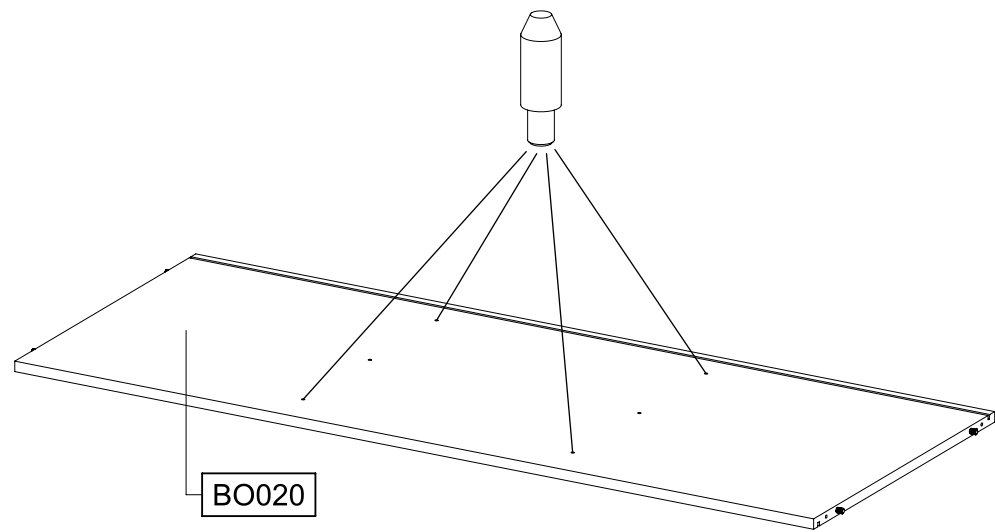


4x

807

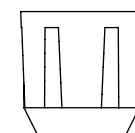
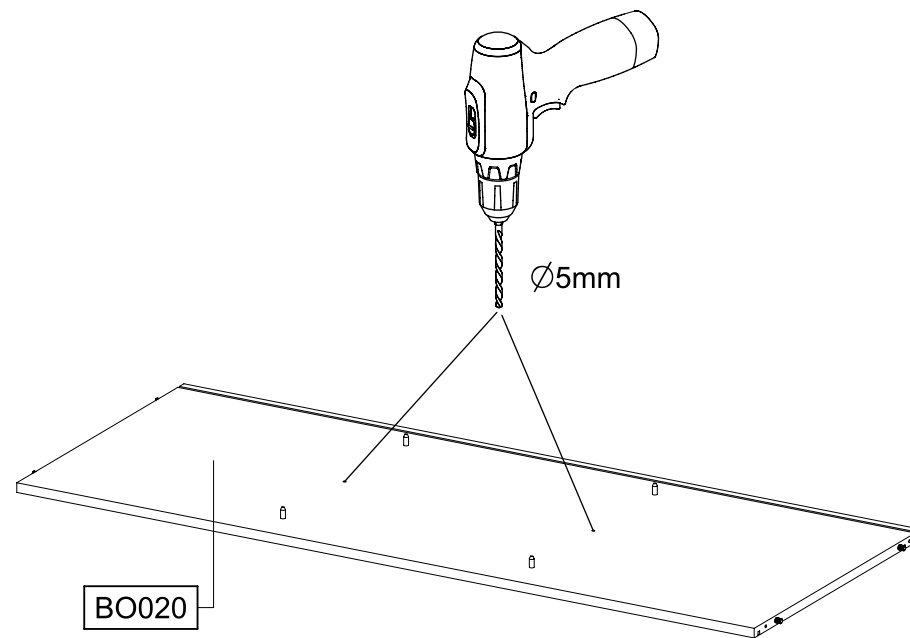
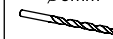


807



13

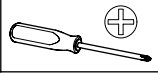
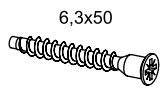
Ø5mm



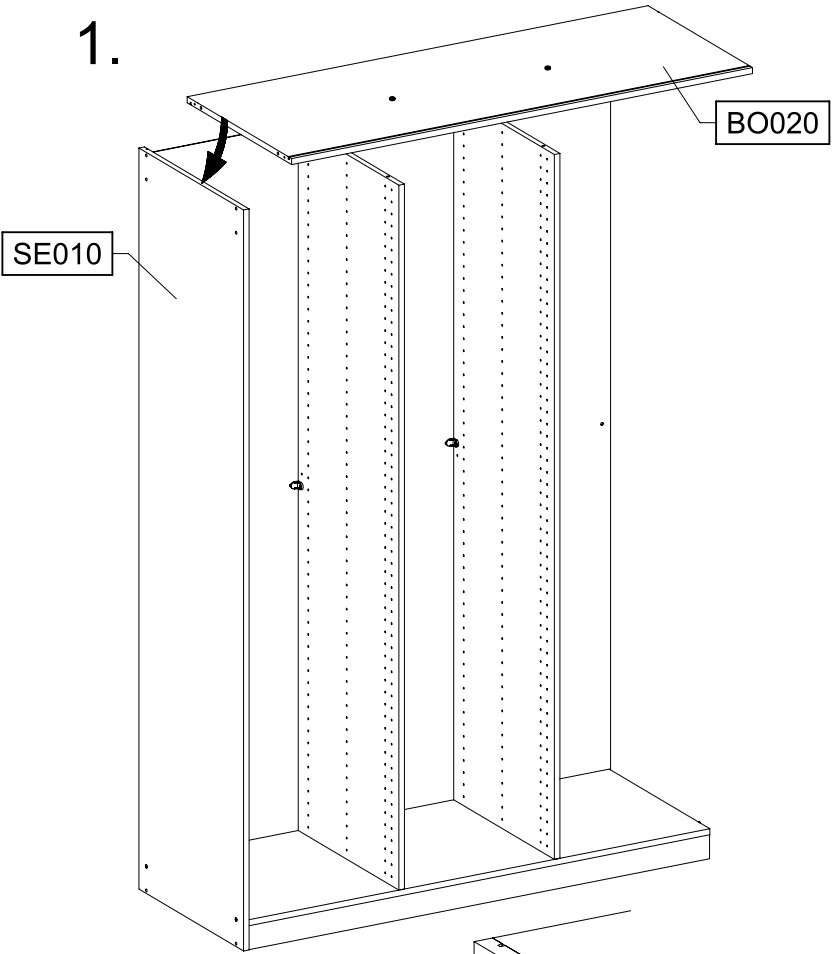
BO020

14

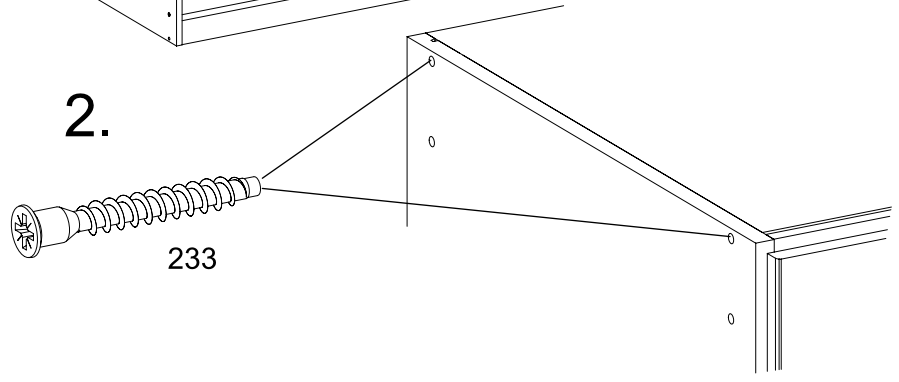
2x 233



1.



2.

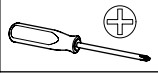


15

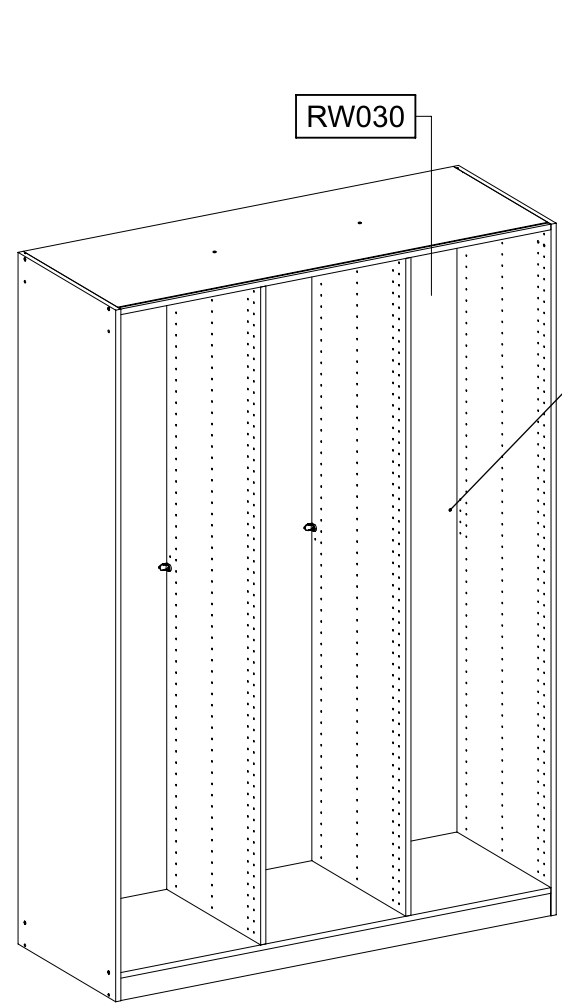
1x 1



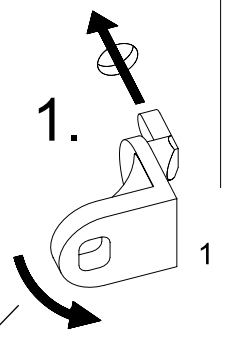
1x 779



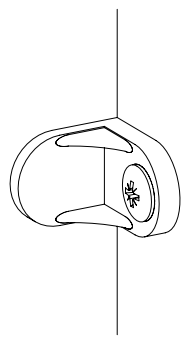
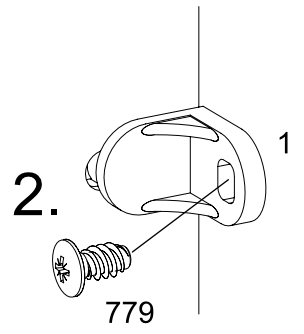
RW030

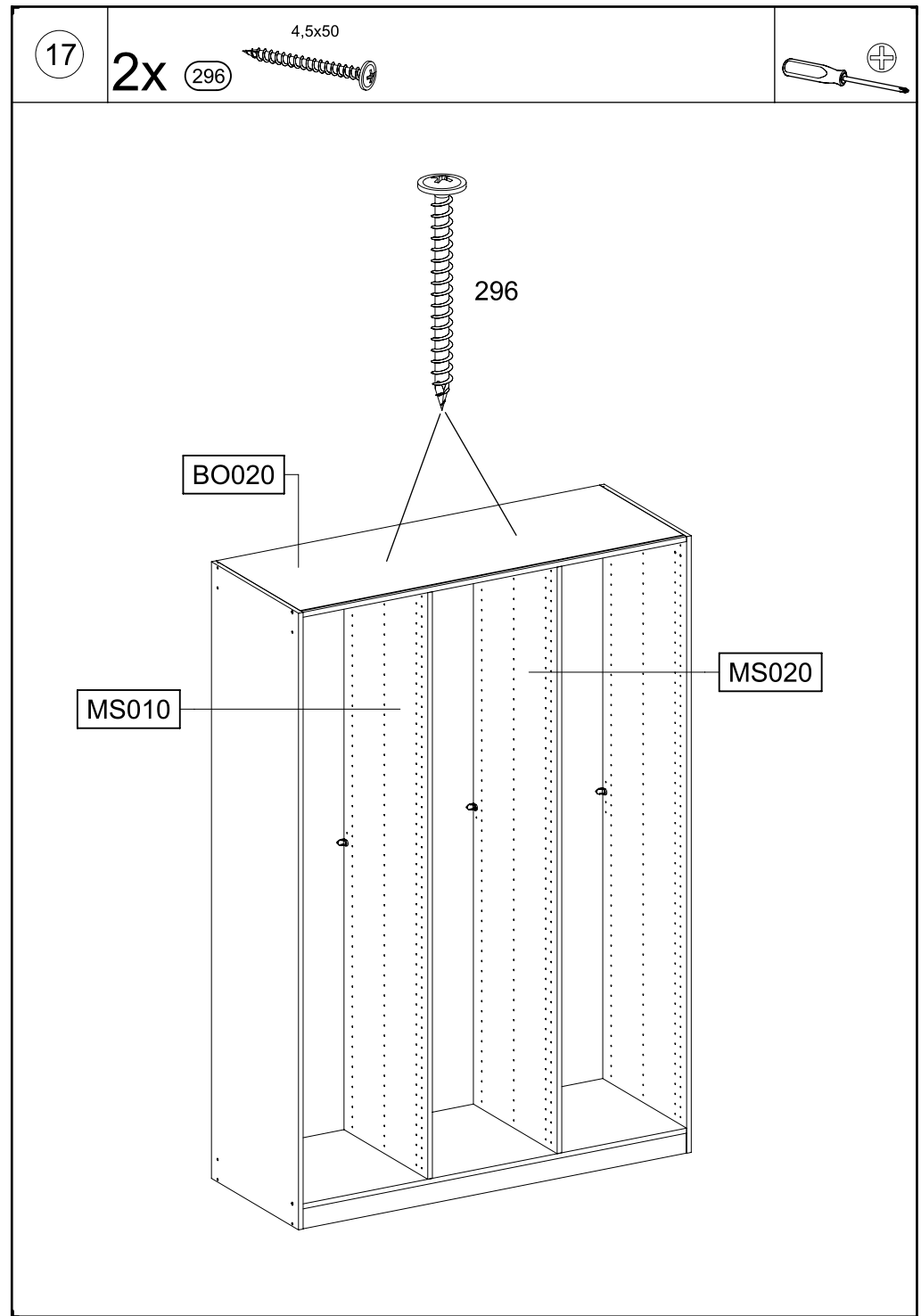
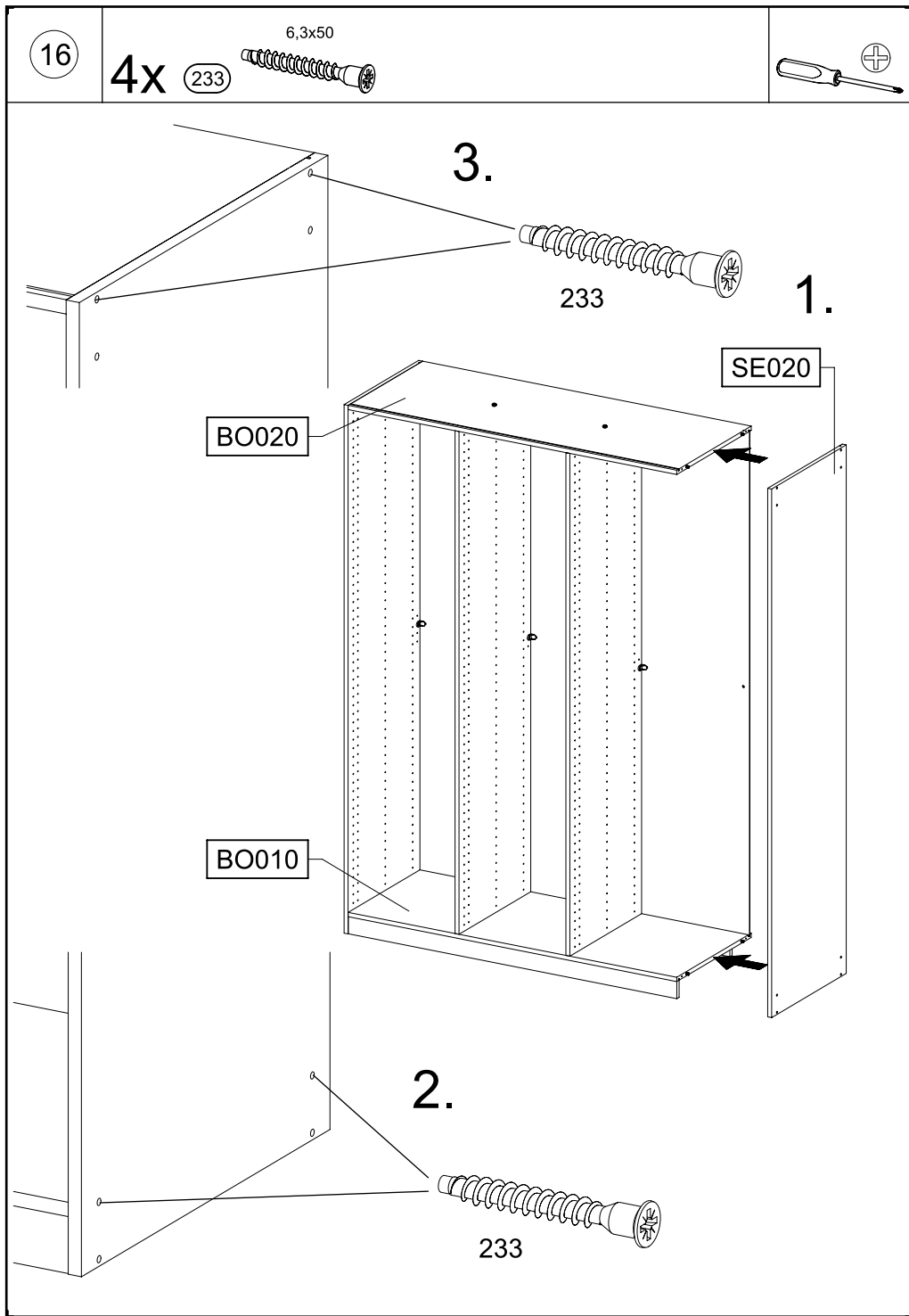


1.



2.



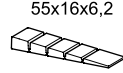


18

0-2x

12

55x16x6,2



2x

201

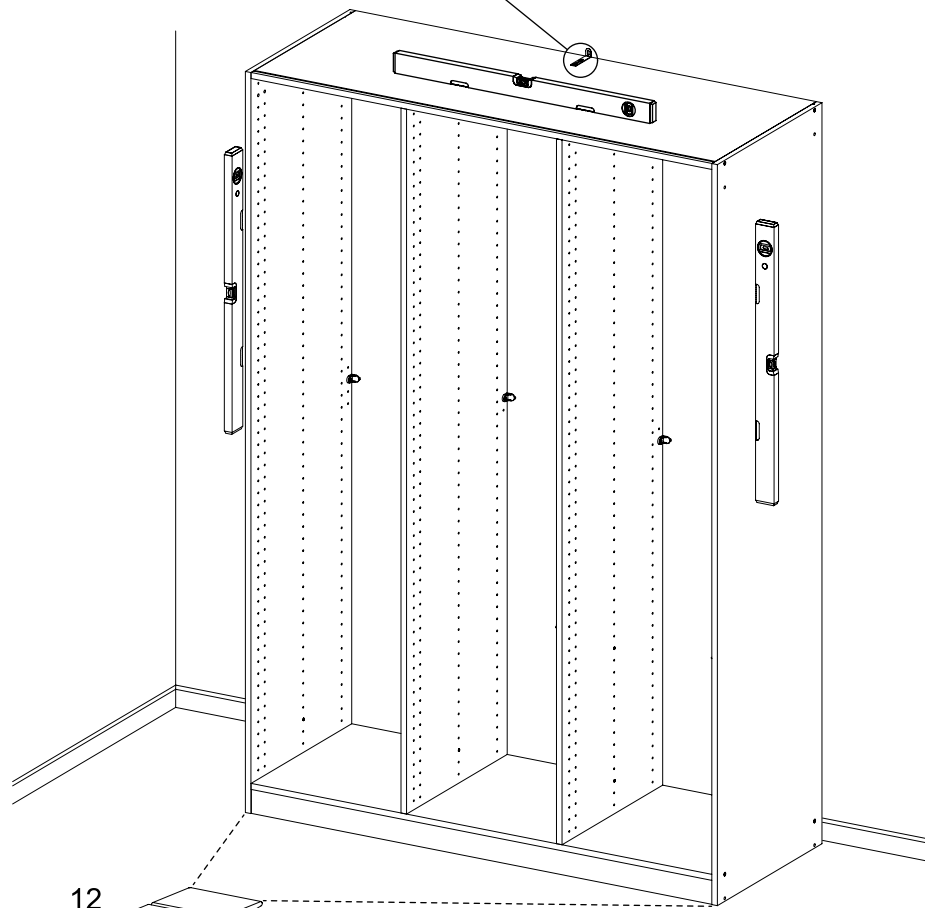
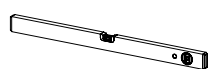
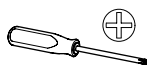
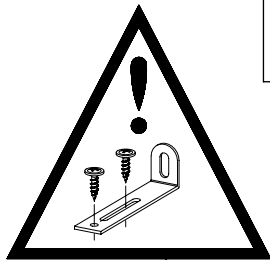
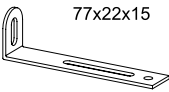
4x15



1x

68

77x22x15



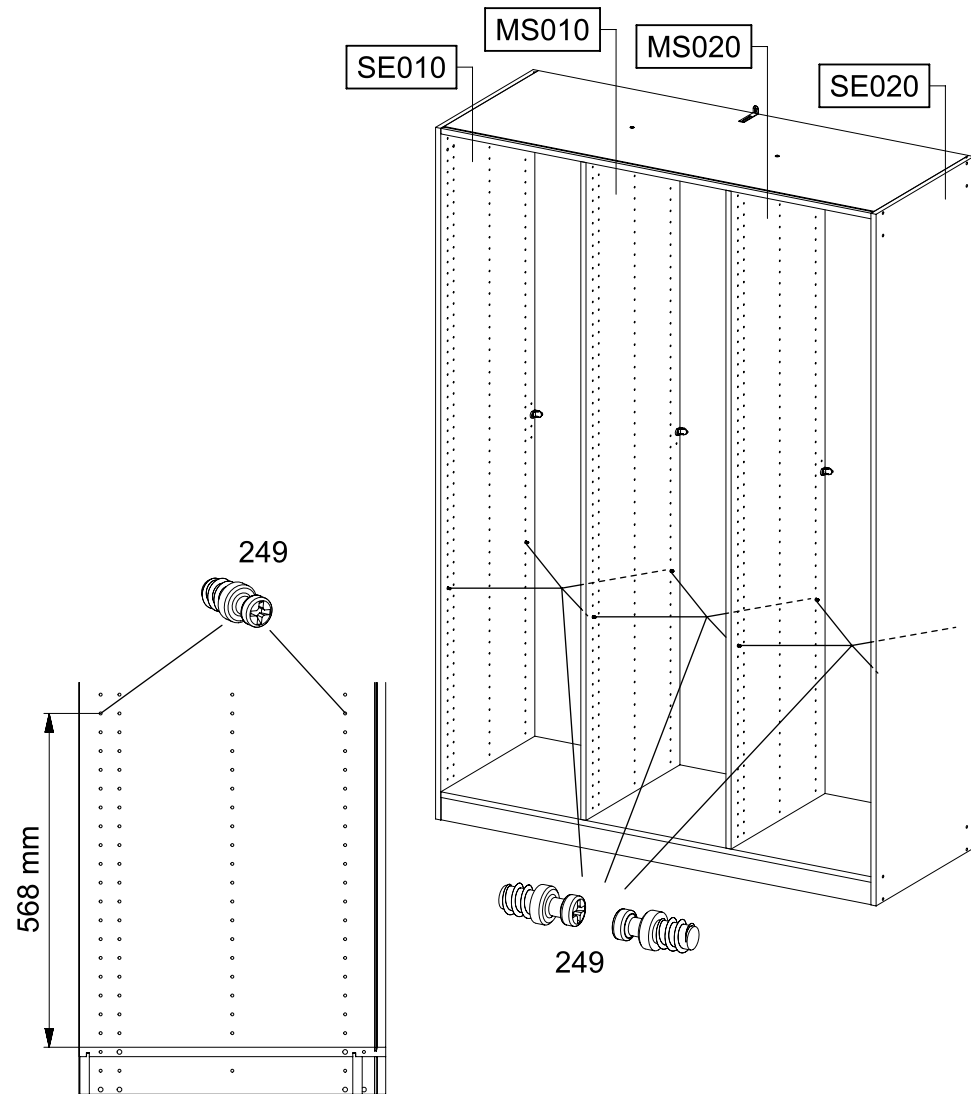
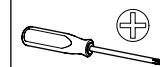
12

19

12x

249

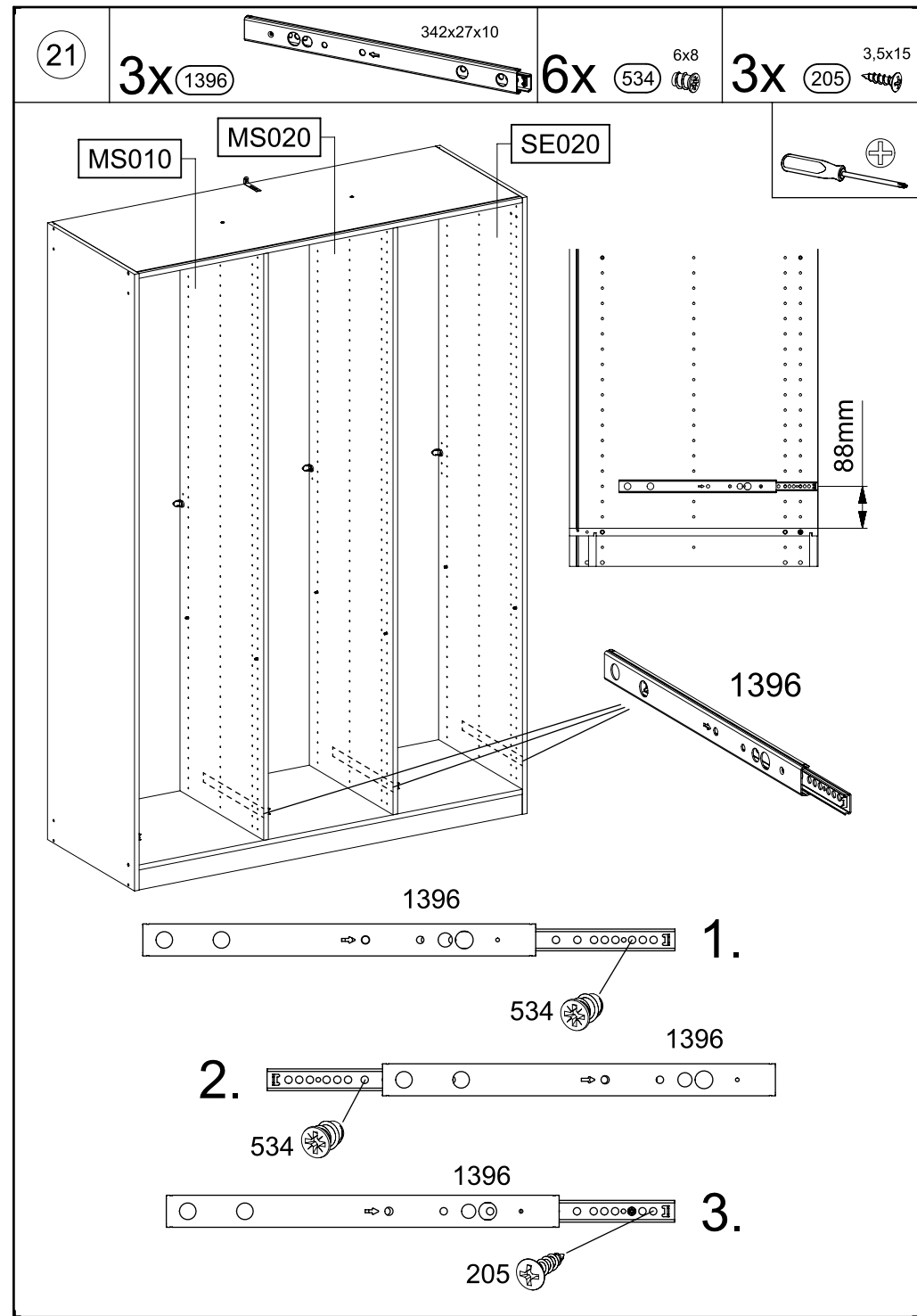
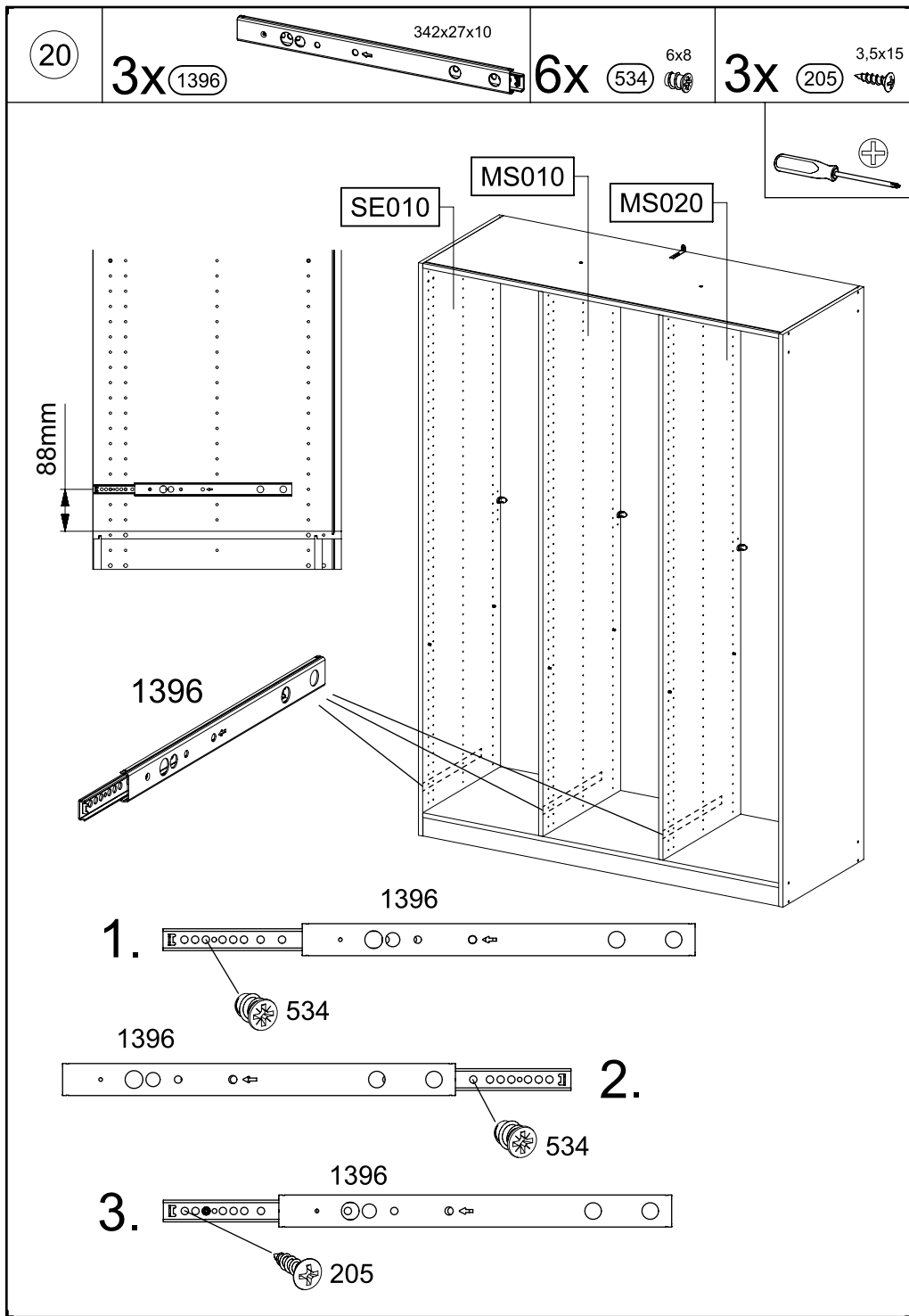
5,0x7,0

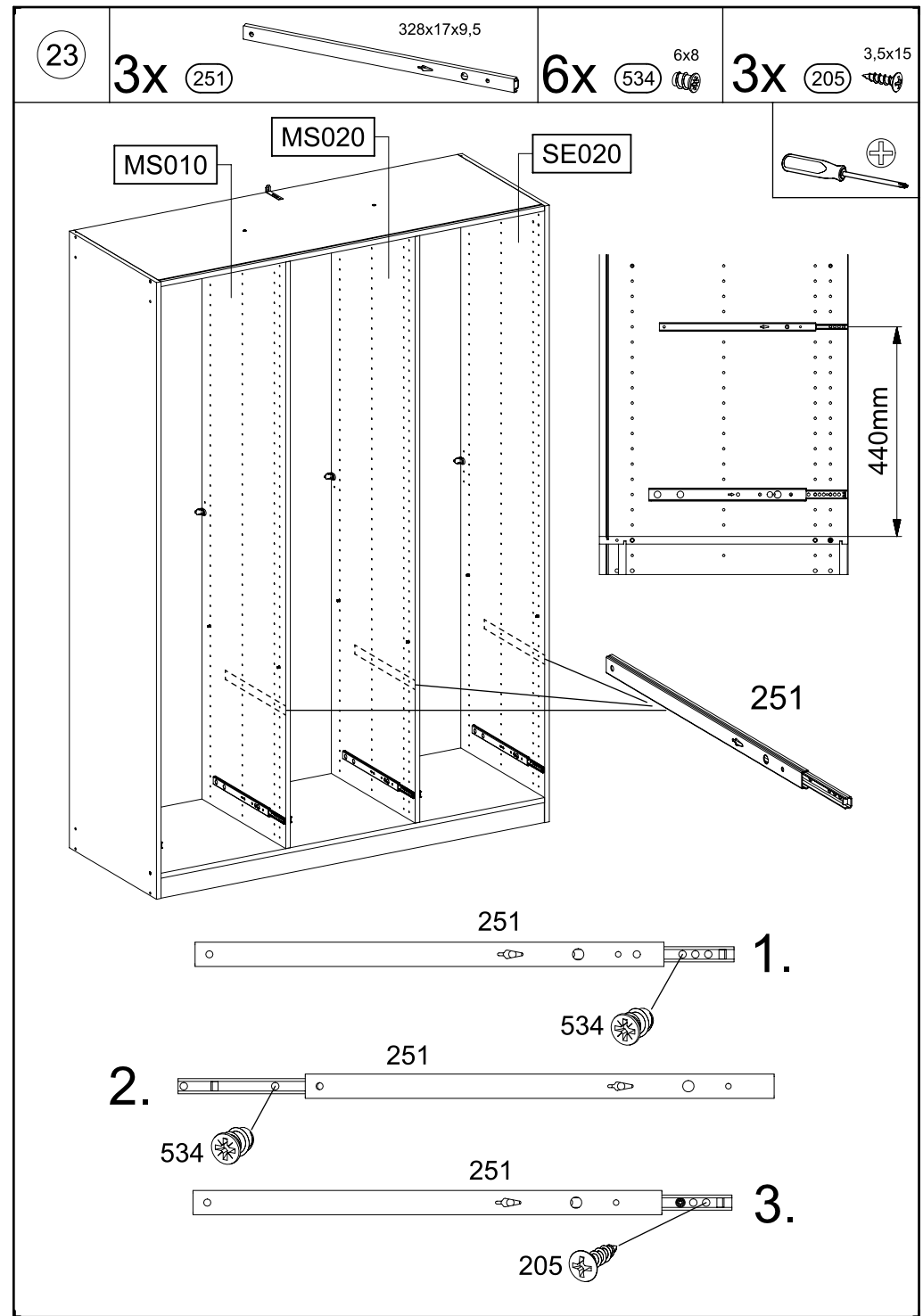
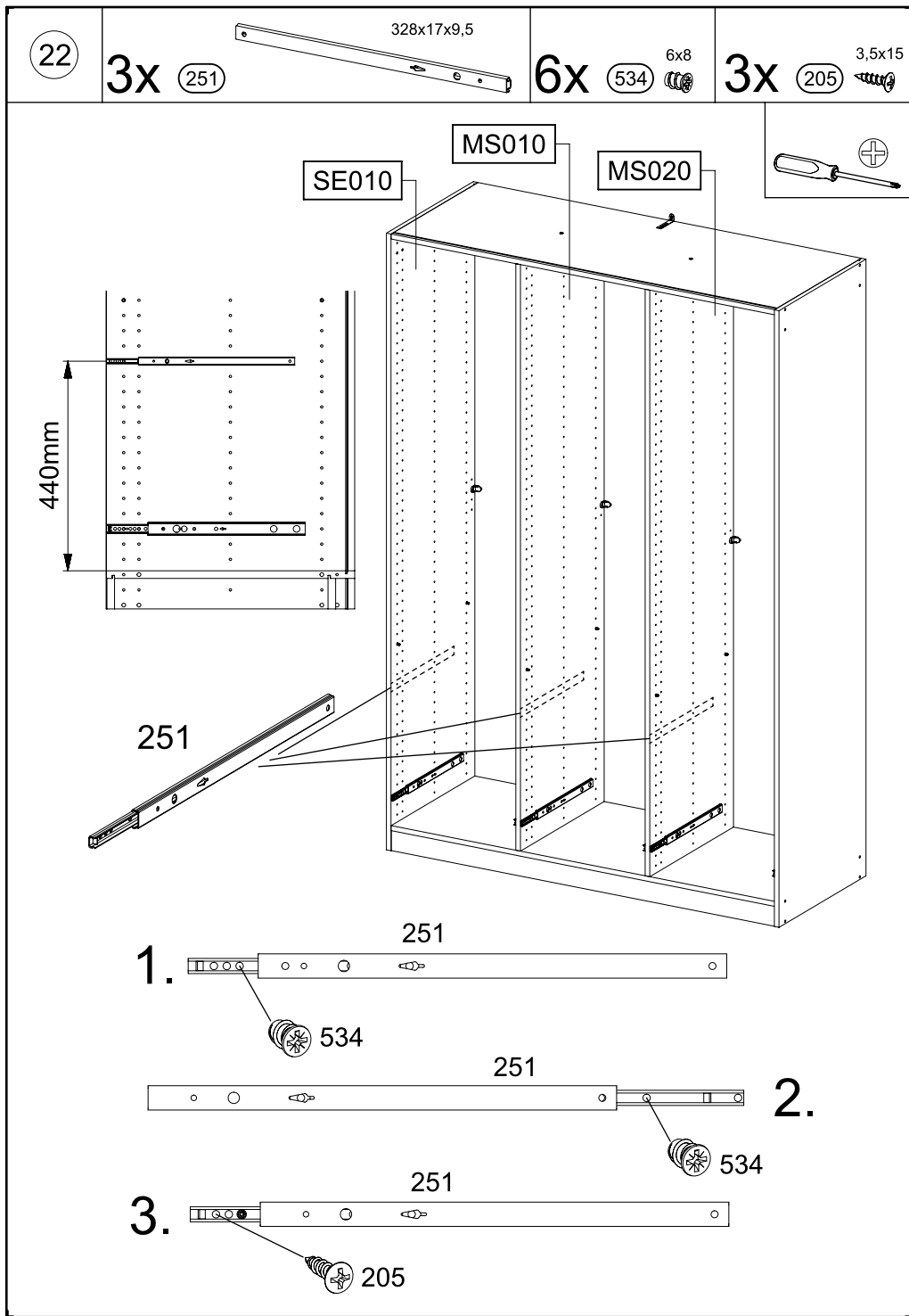


568 mm

249

249

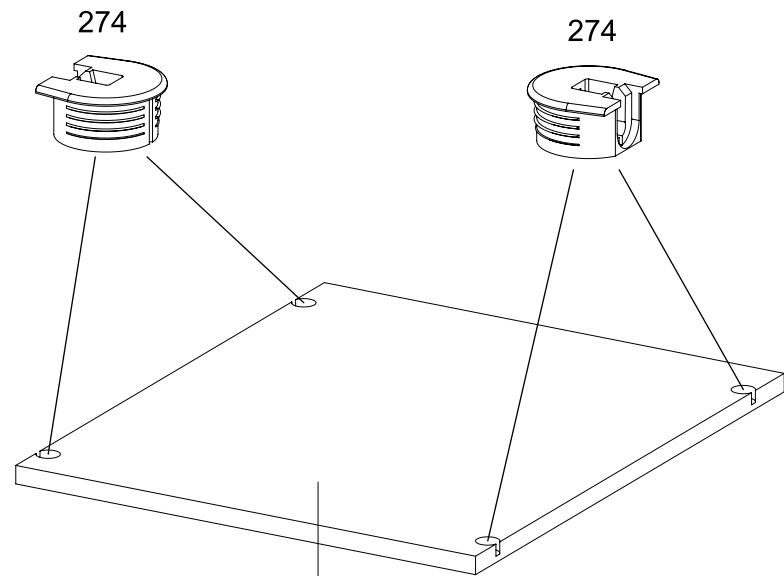
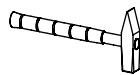




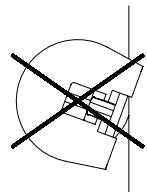
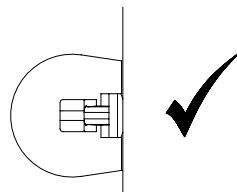
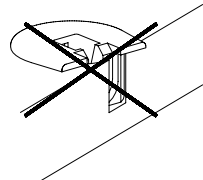
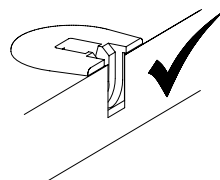
24

12x

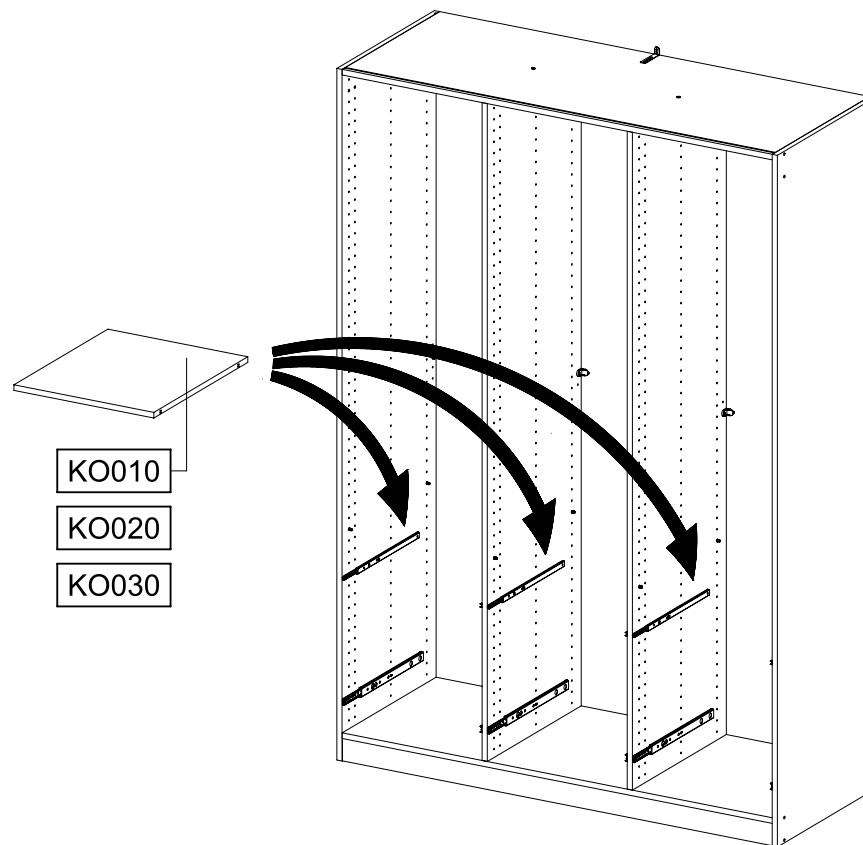
274



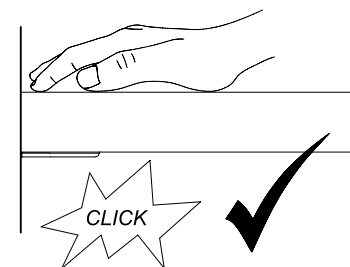
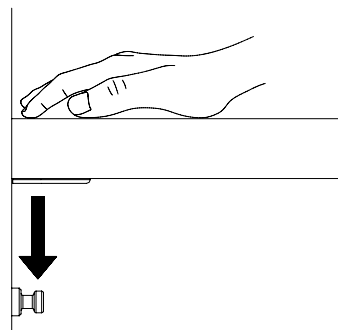
- KO010
- KO020
- KO030



25

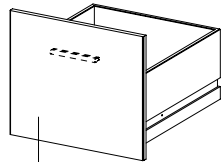
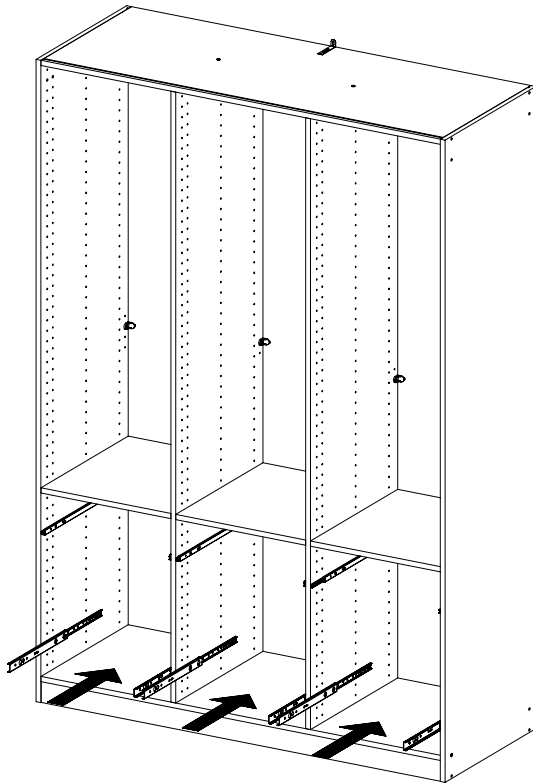
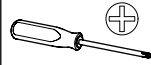


- KO010
- KO020
- KO030

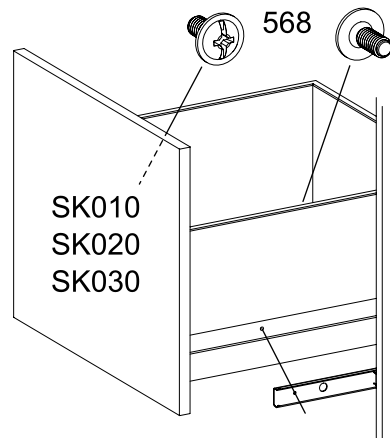


26

6x 568 M4x9

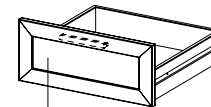
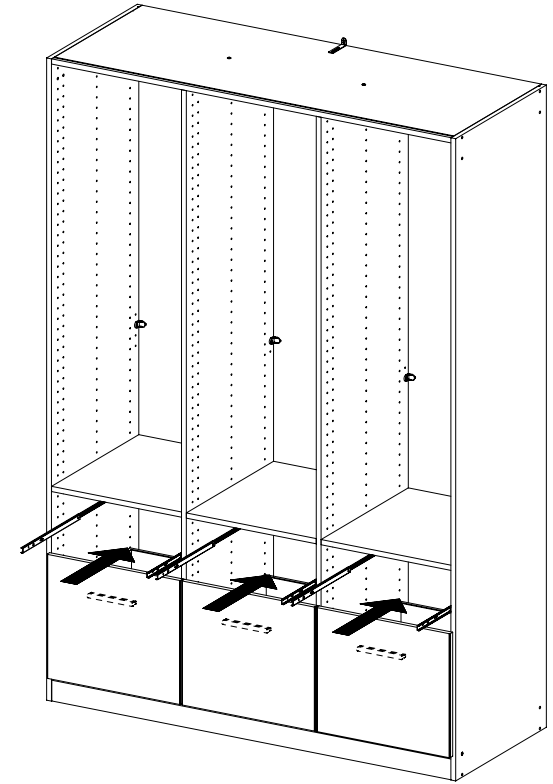
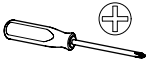


SK010
SK020
SK030

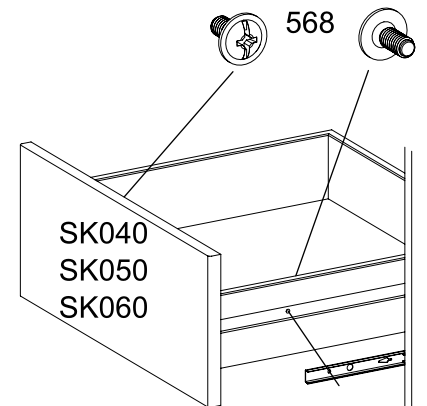


27

6x 568 M4x9

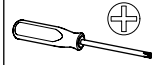
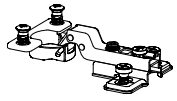


SK040
SK050
SK060

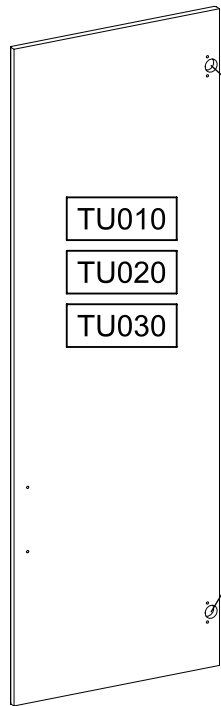


28

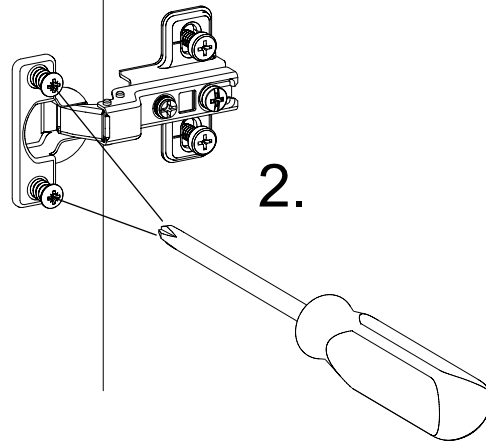
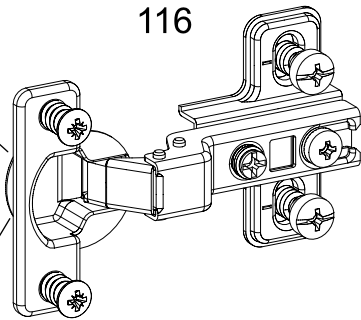
6x 116



VIDEO

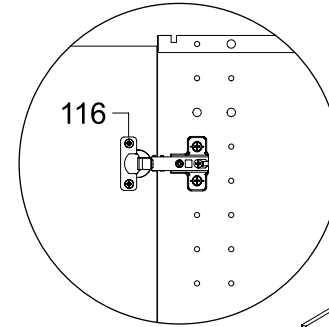
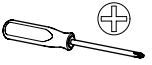


116



2.

29

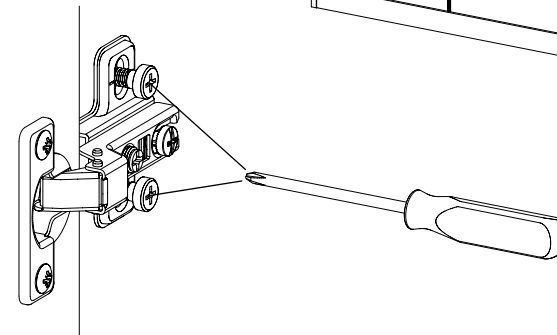
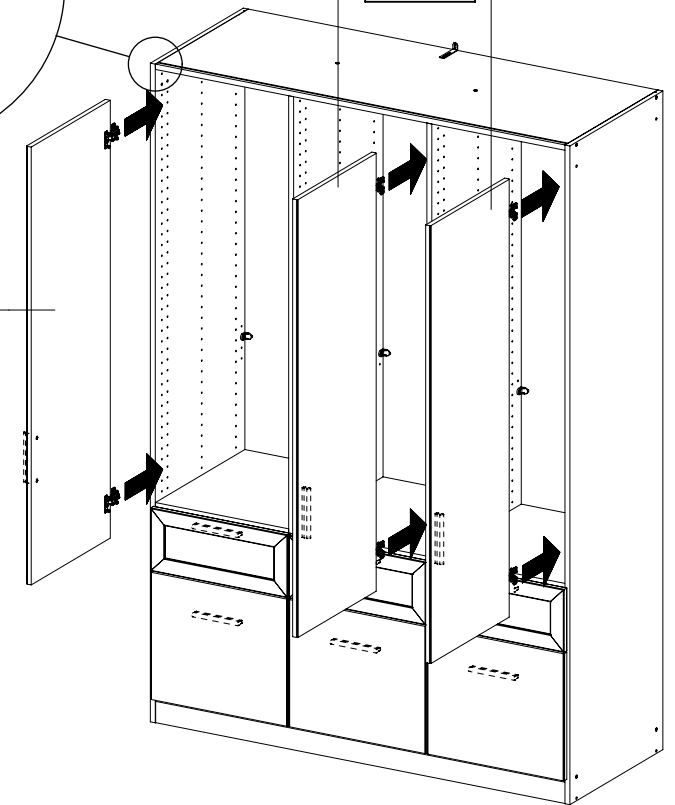


116

TU020

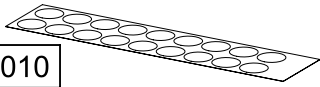
TU030

TU010

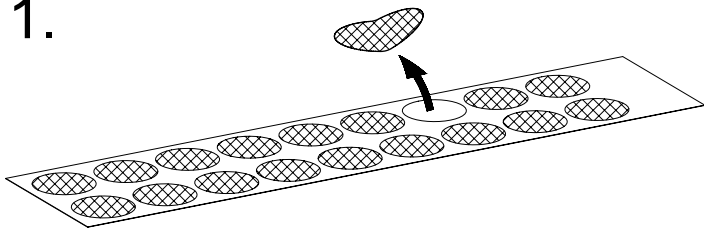


30

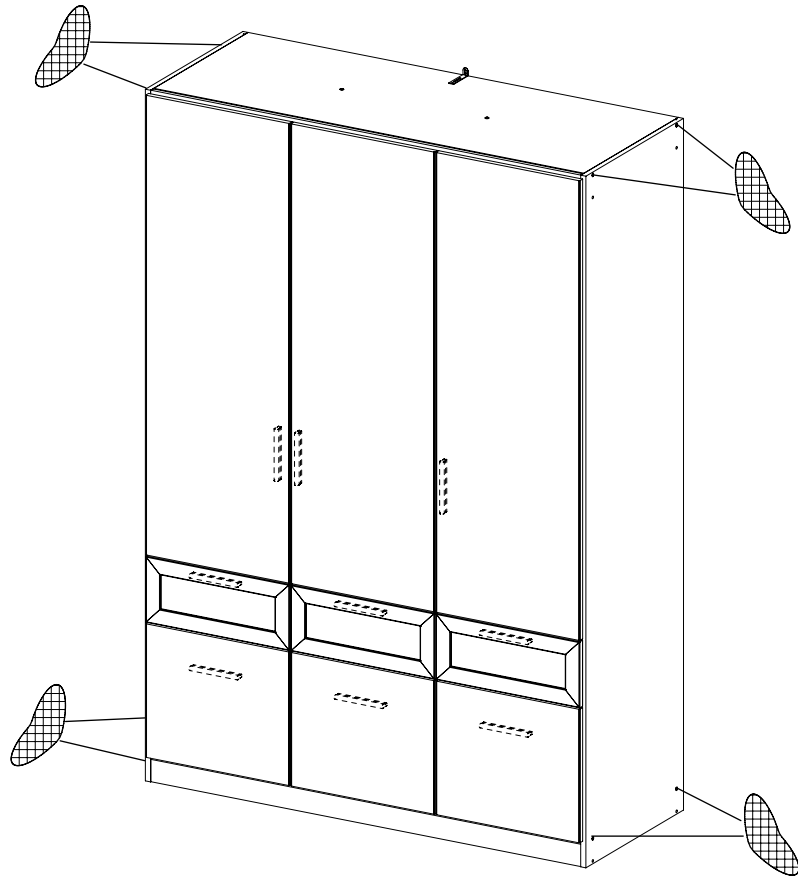
1x RE010



1.



2.



31

