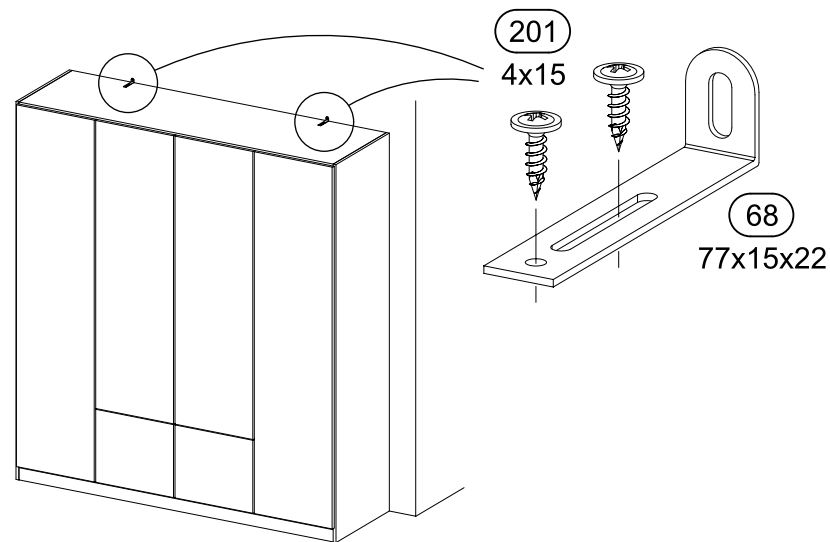
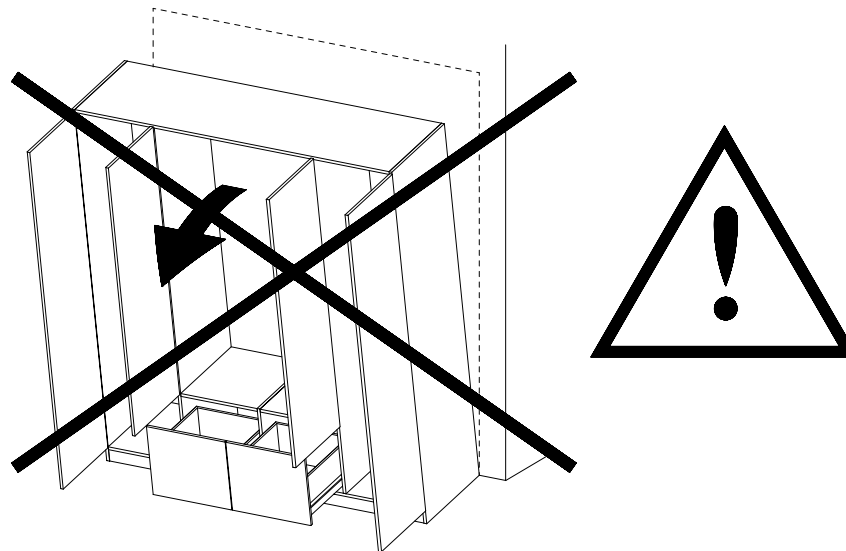
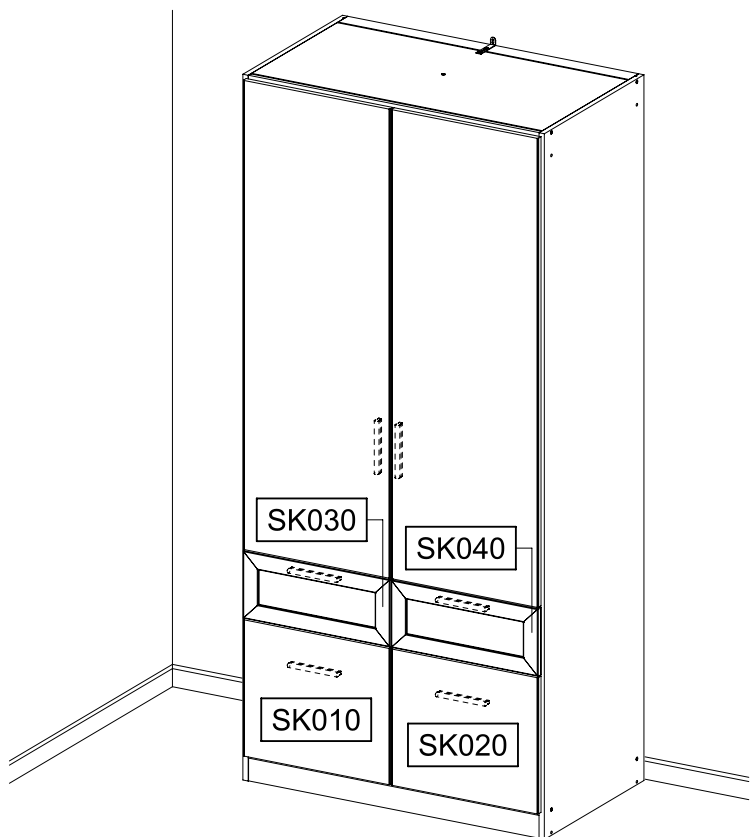
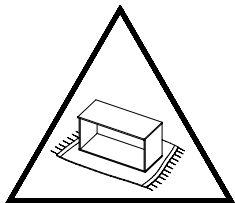
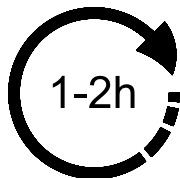
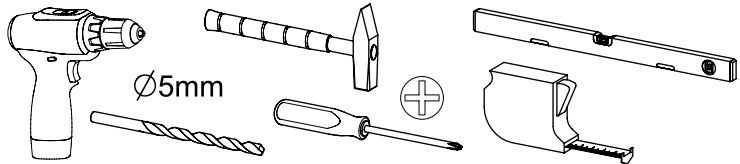
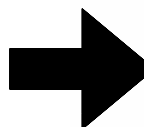
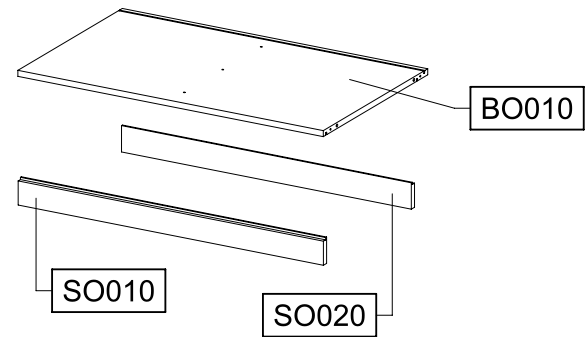
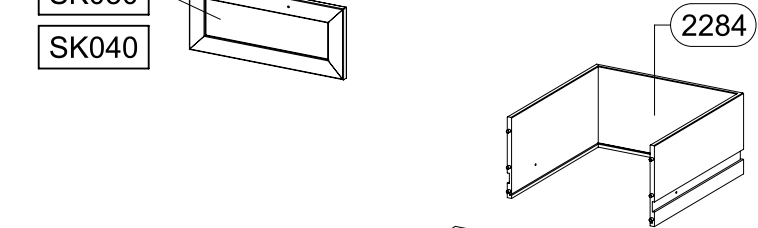
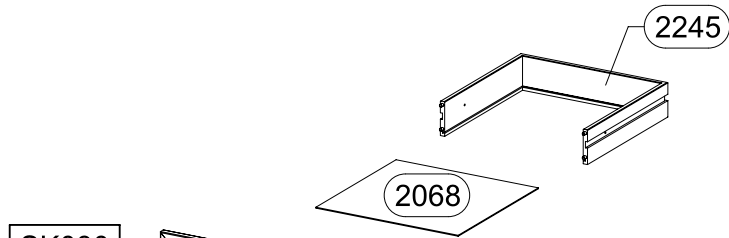
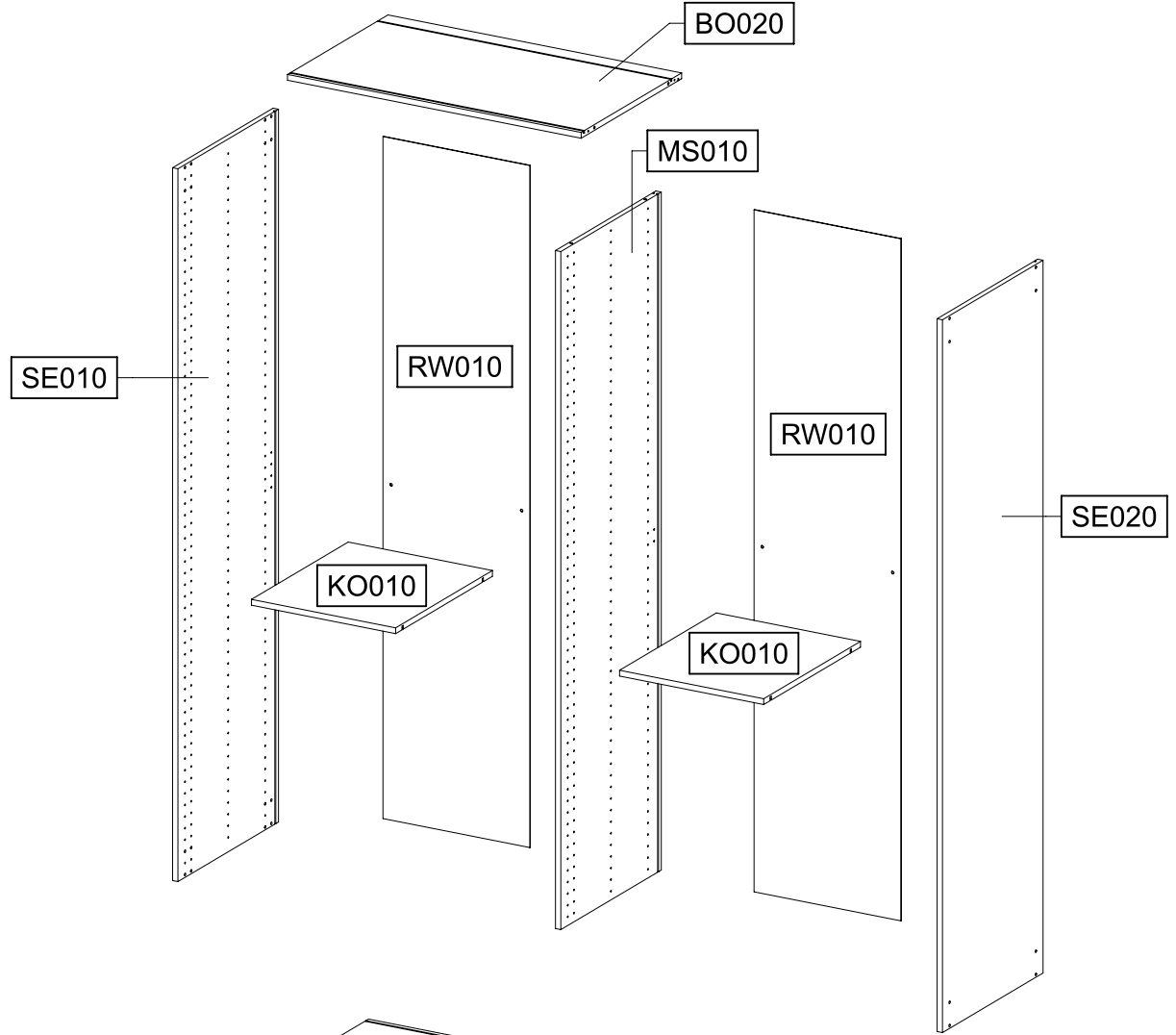
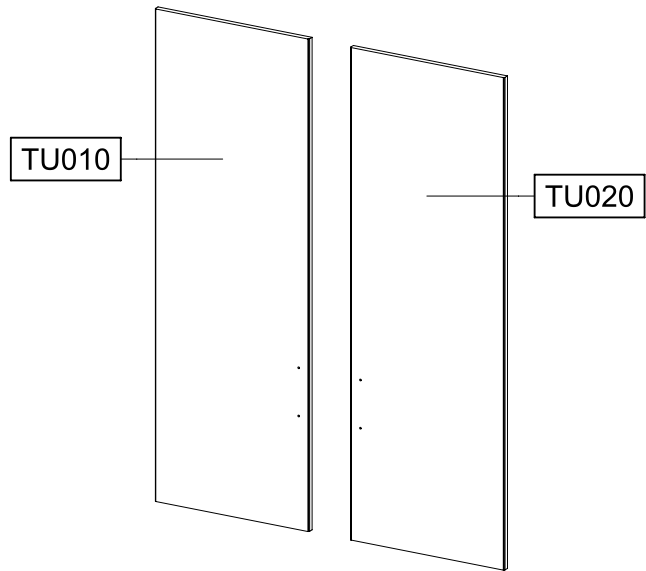


# M3008\_01

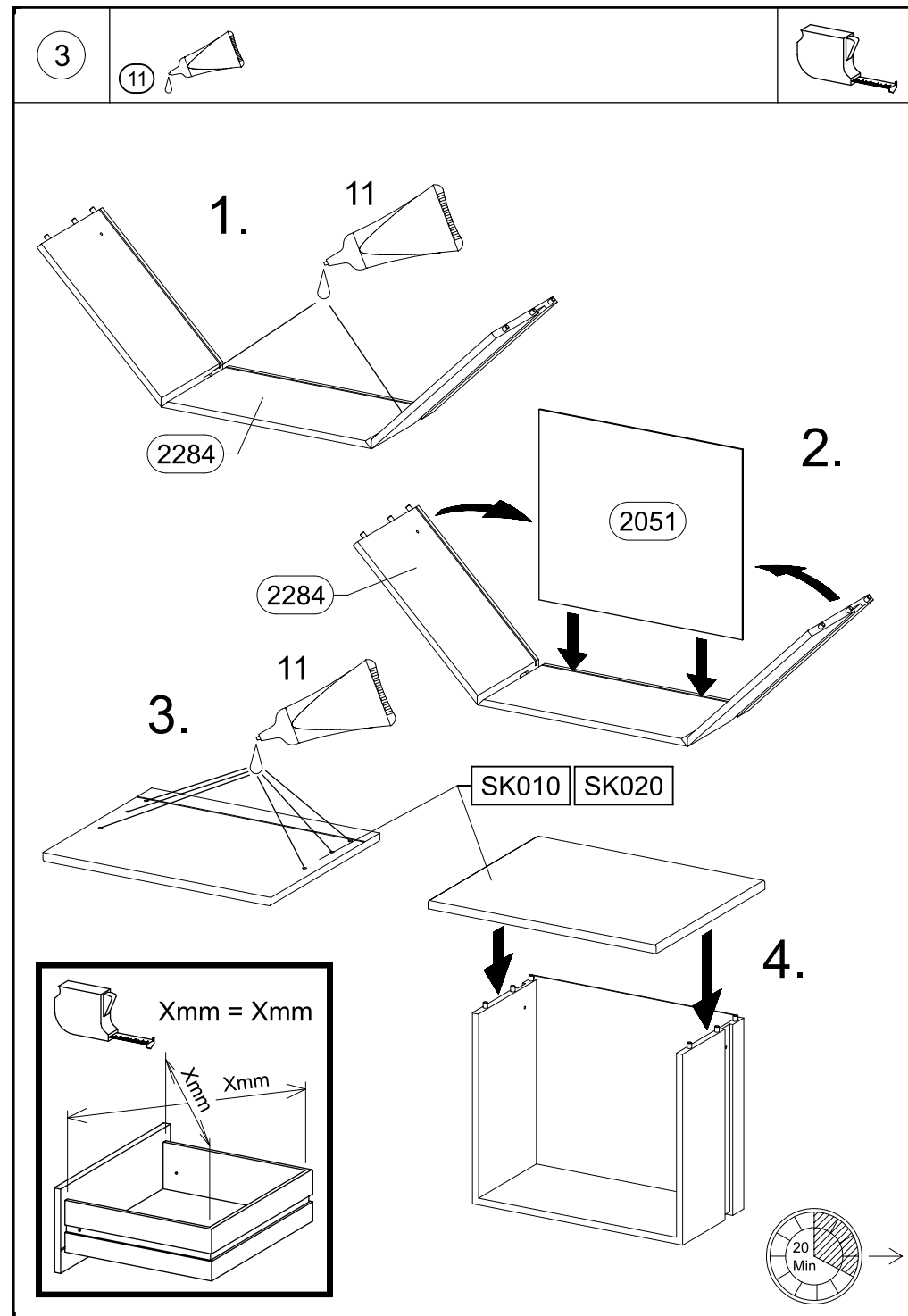
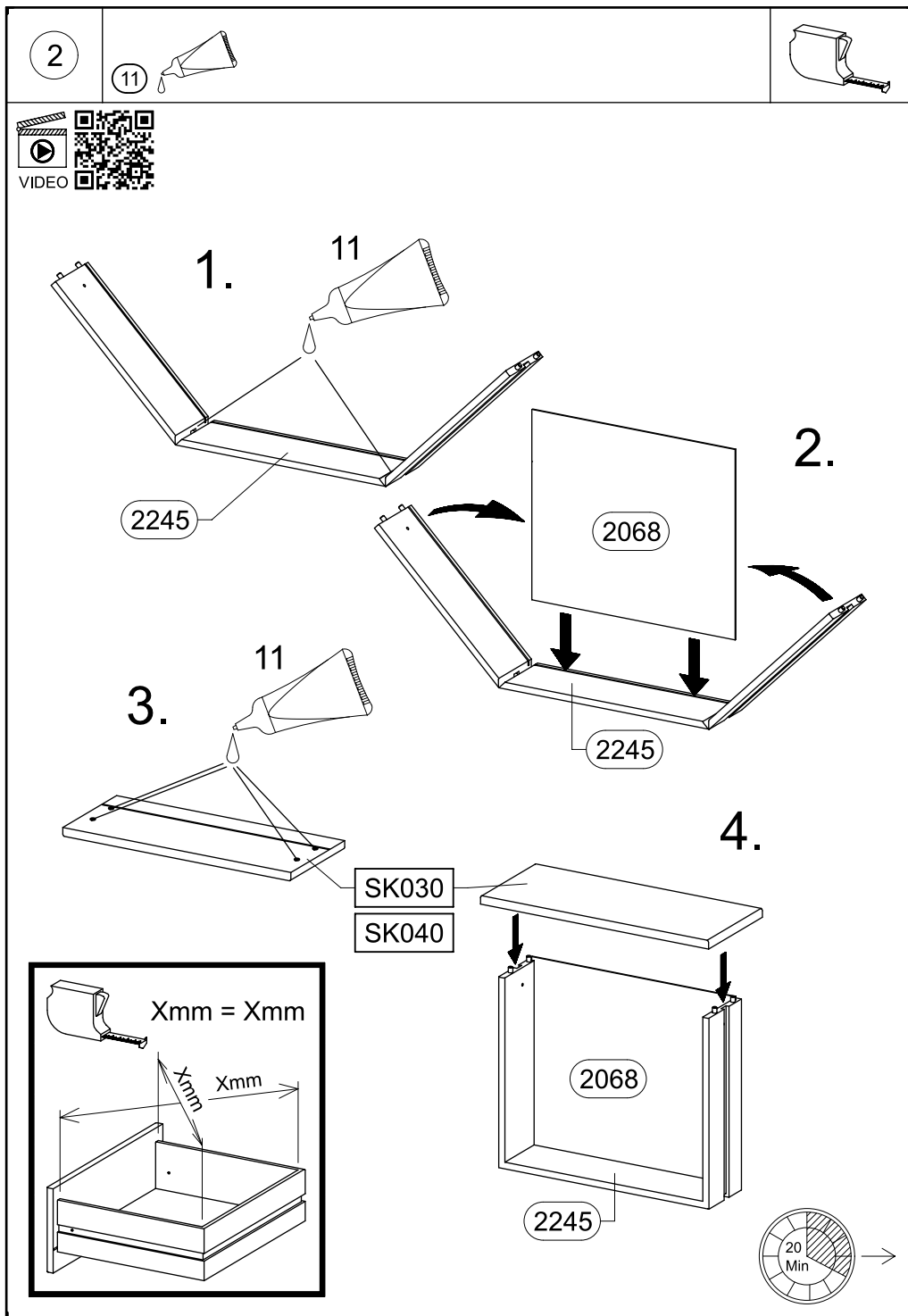


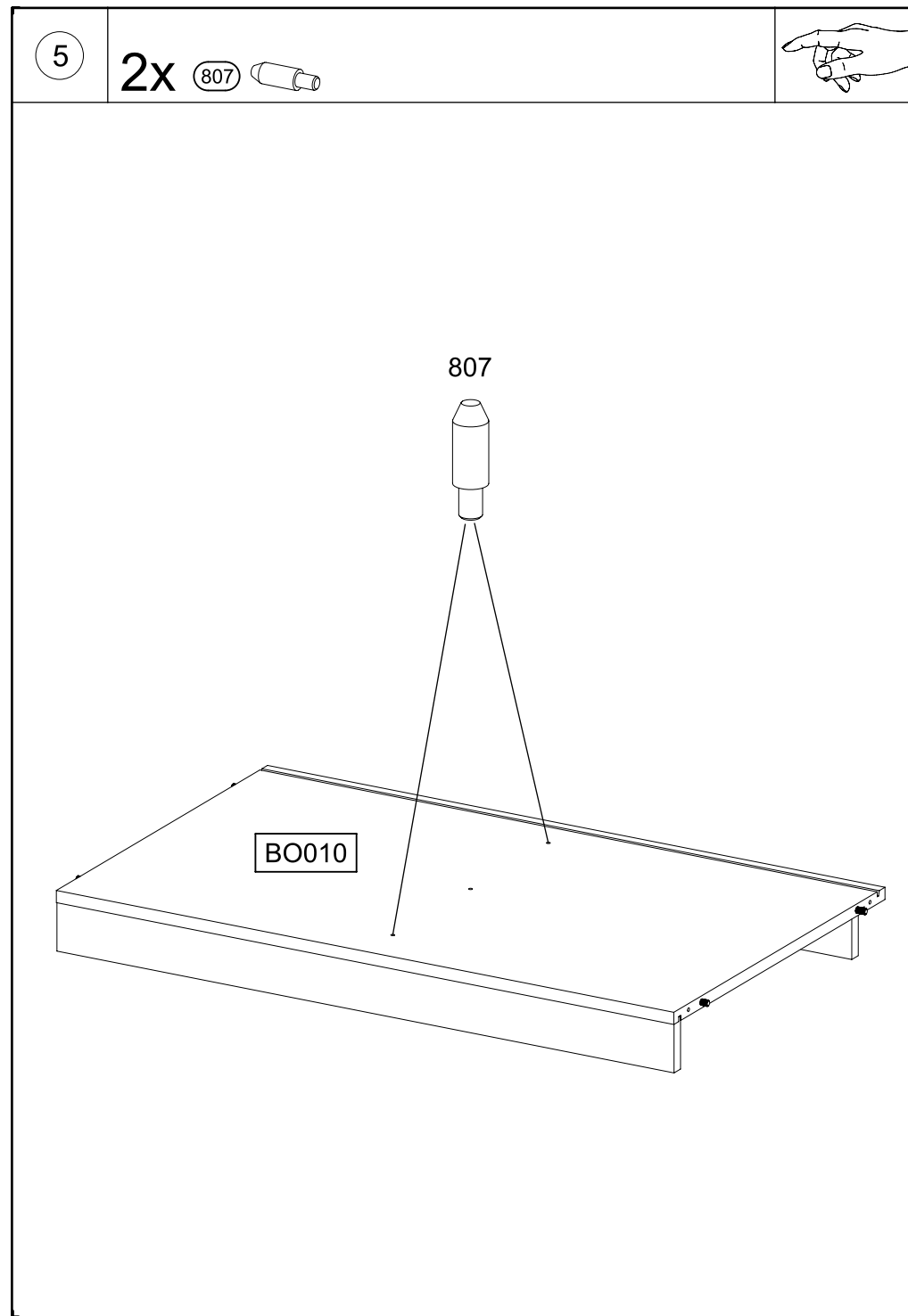
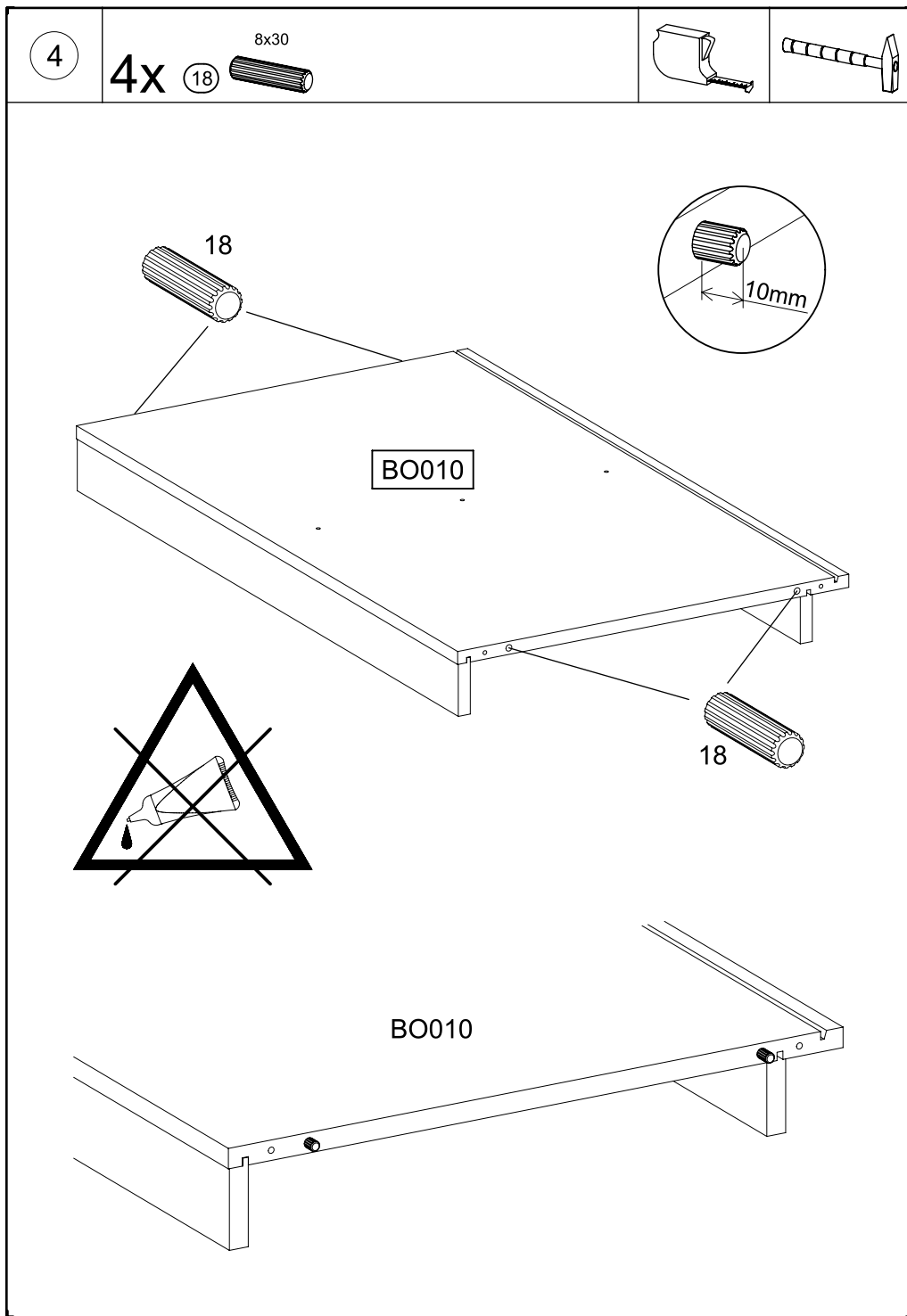
VIDEO

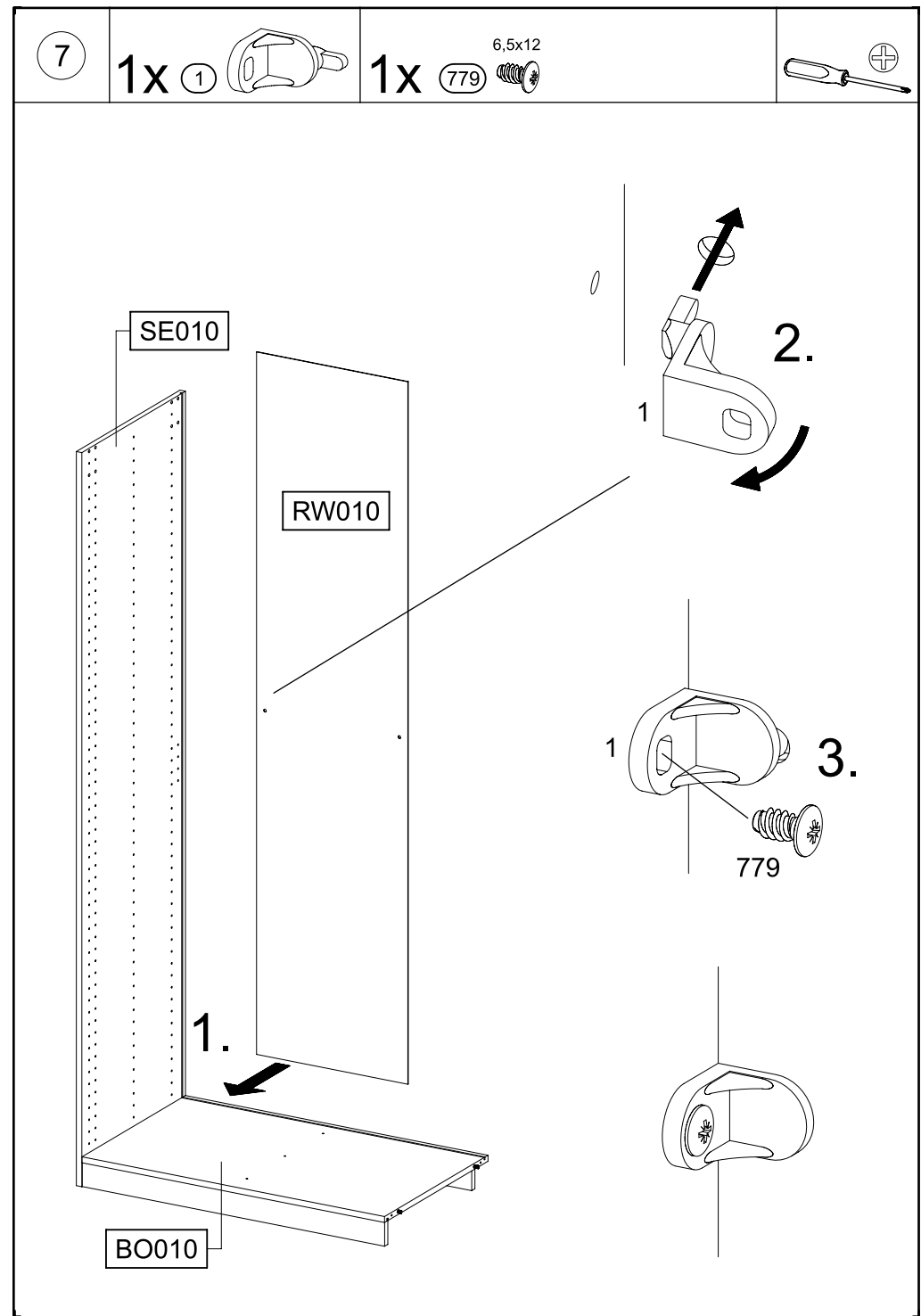
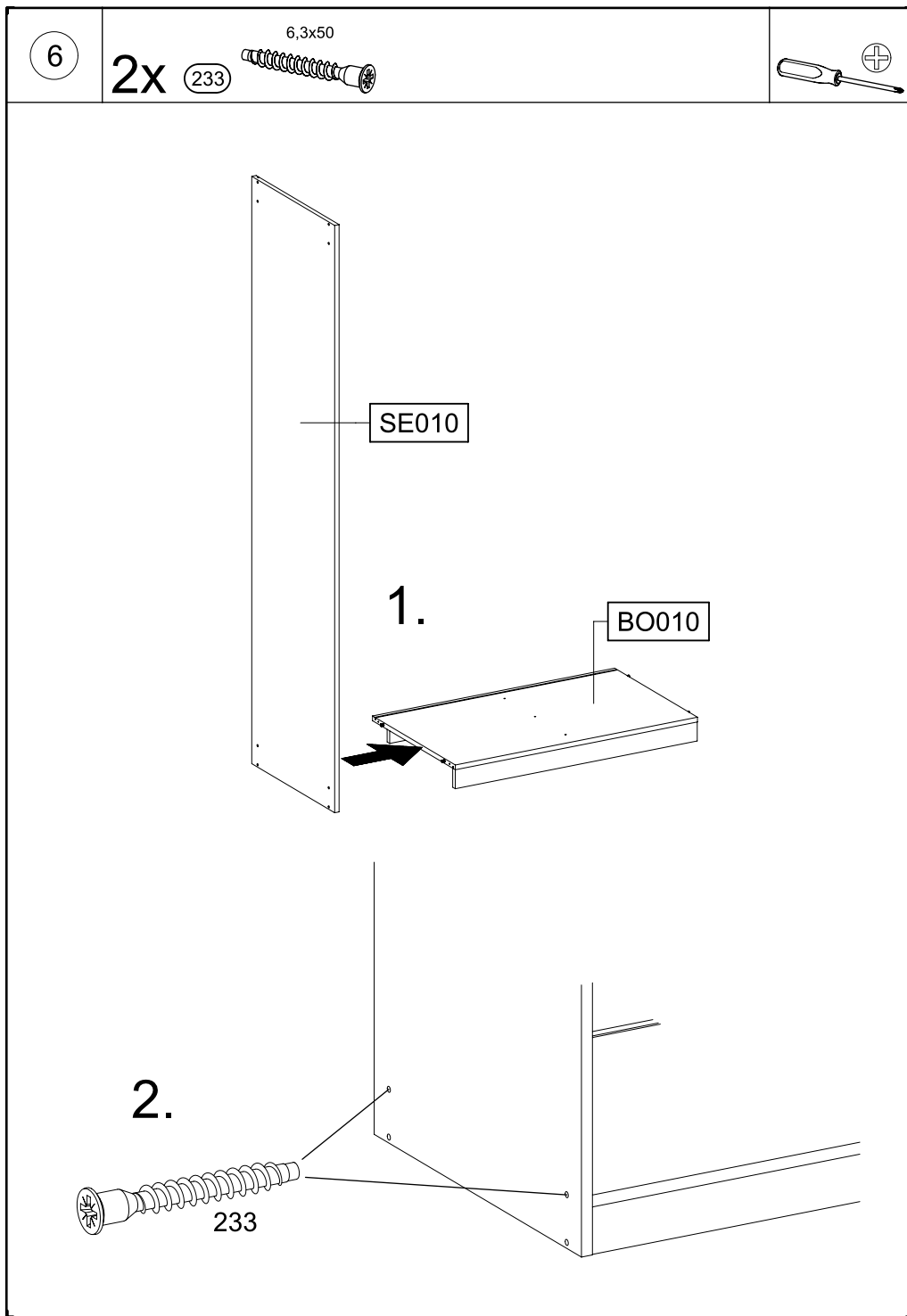


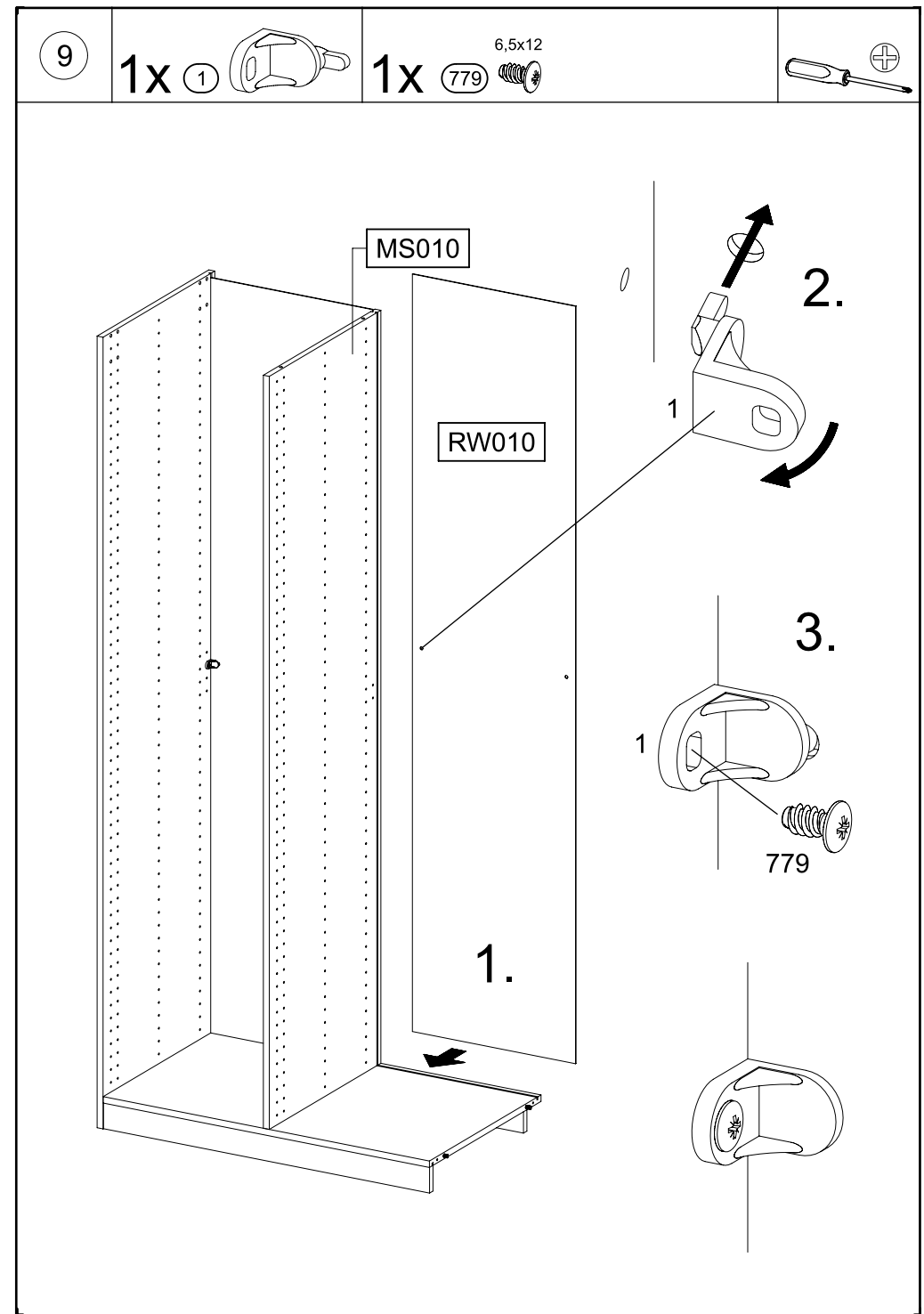
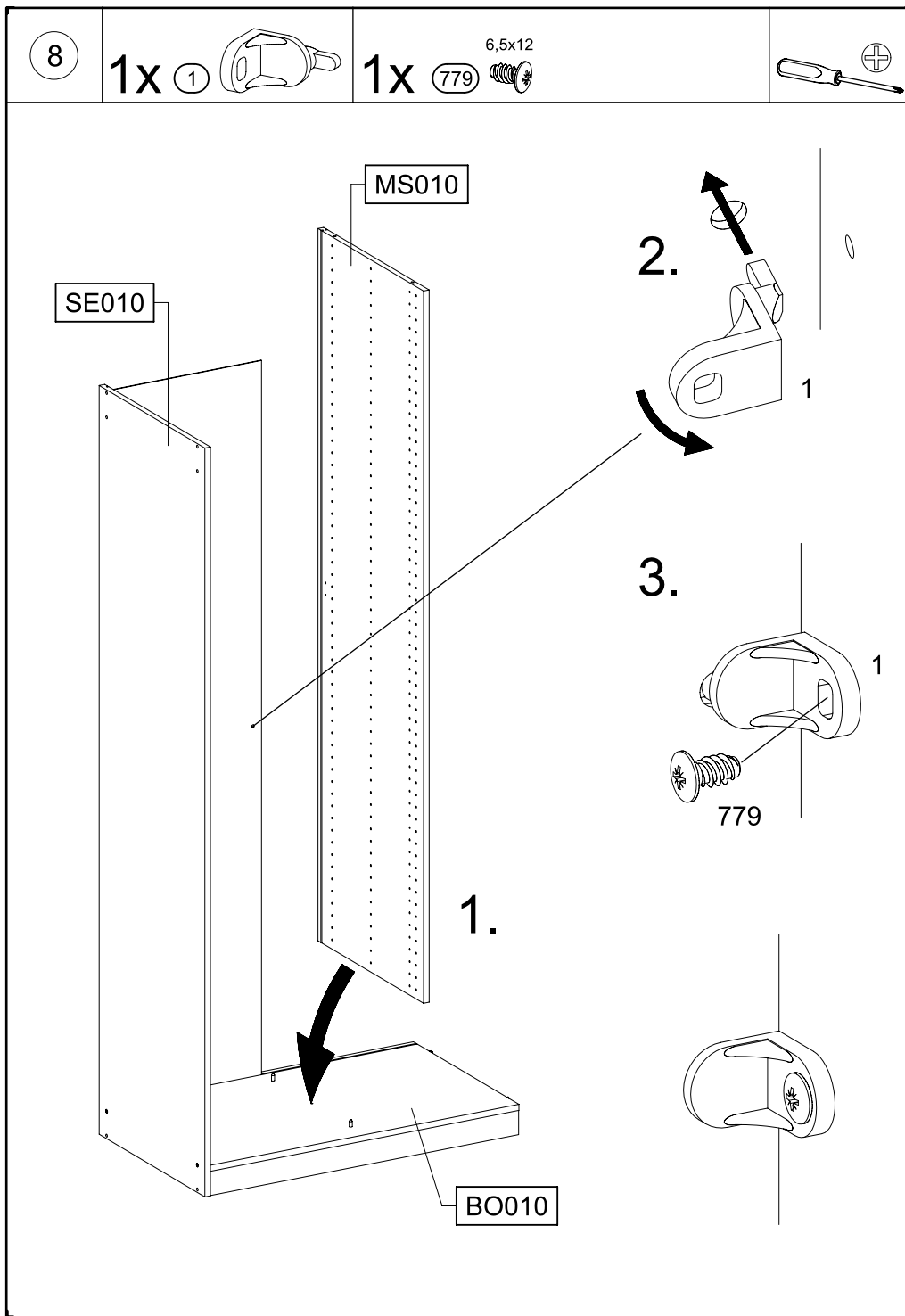


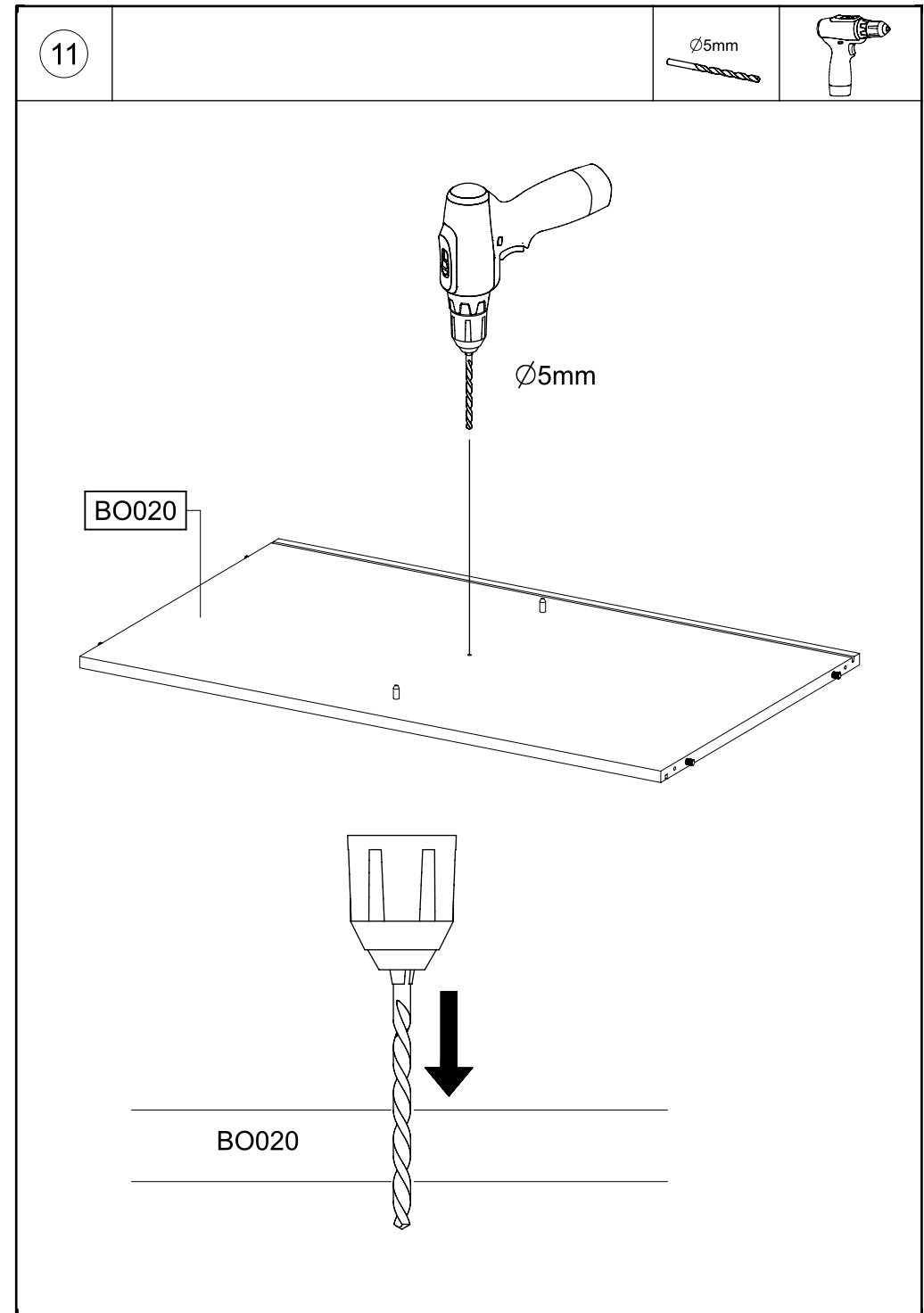
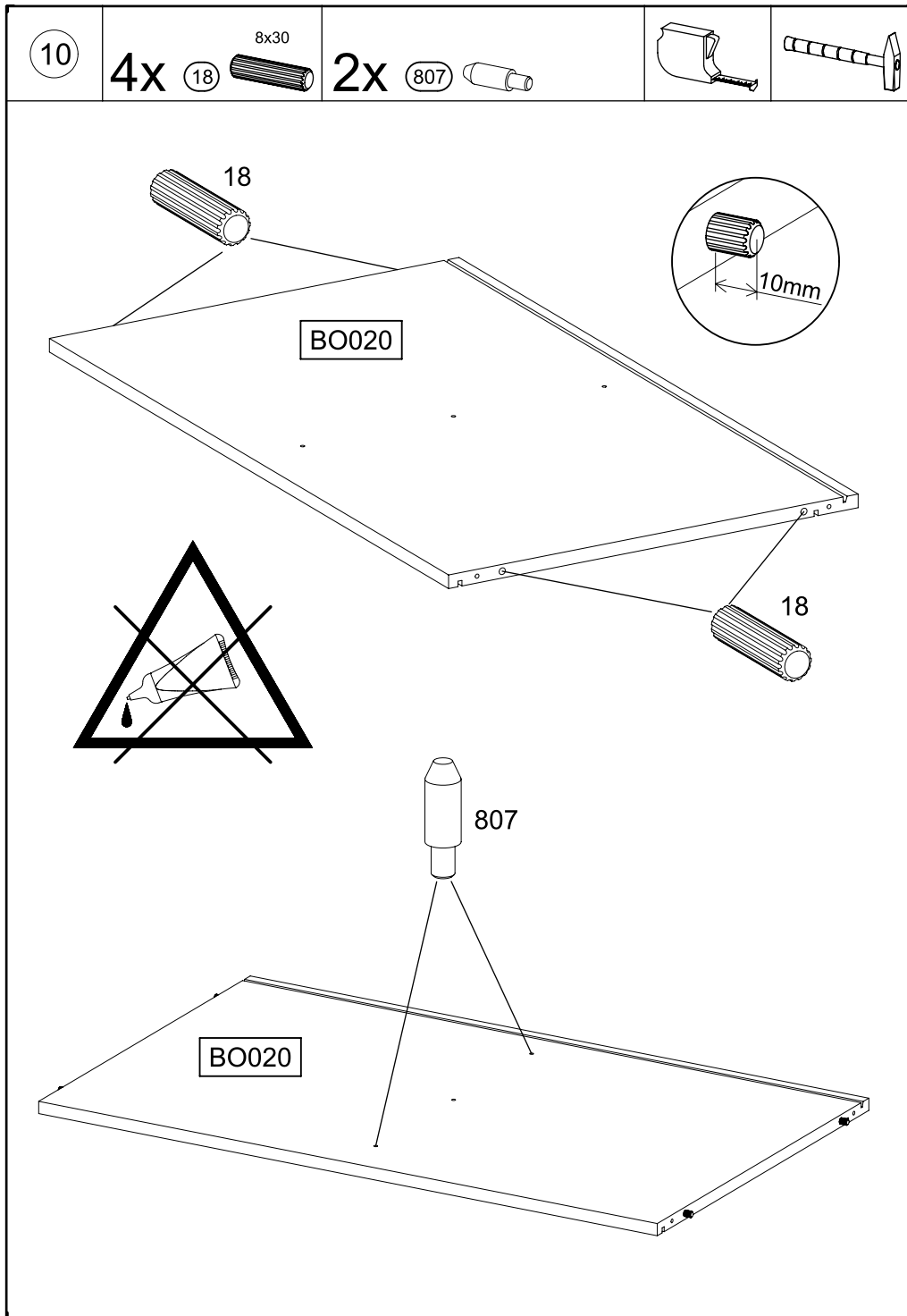


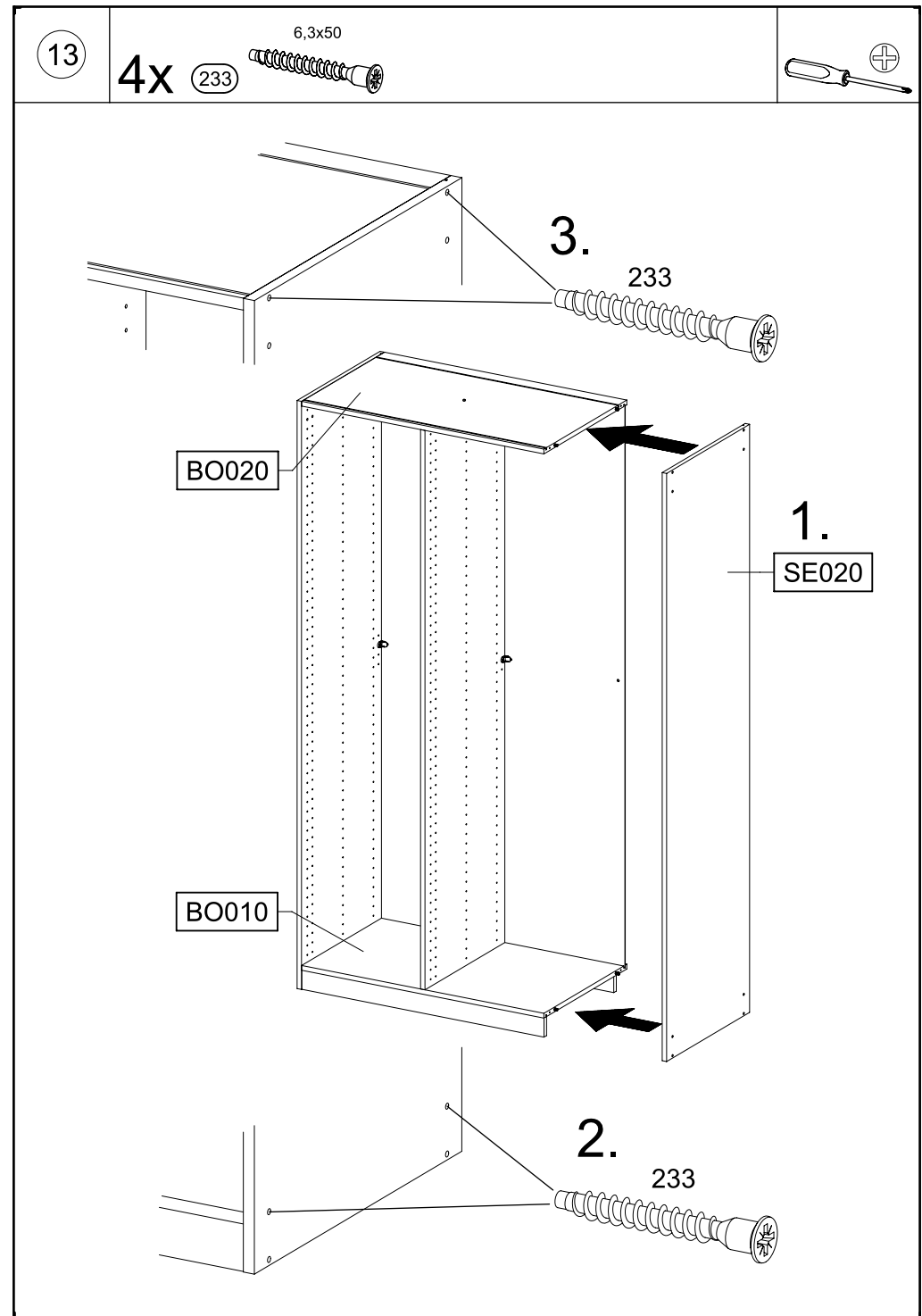
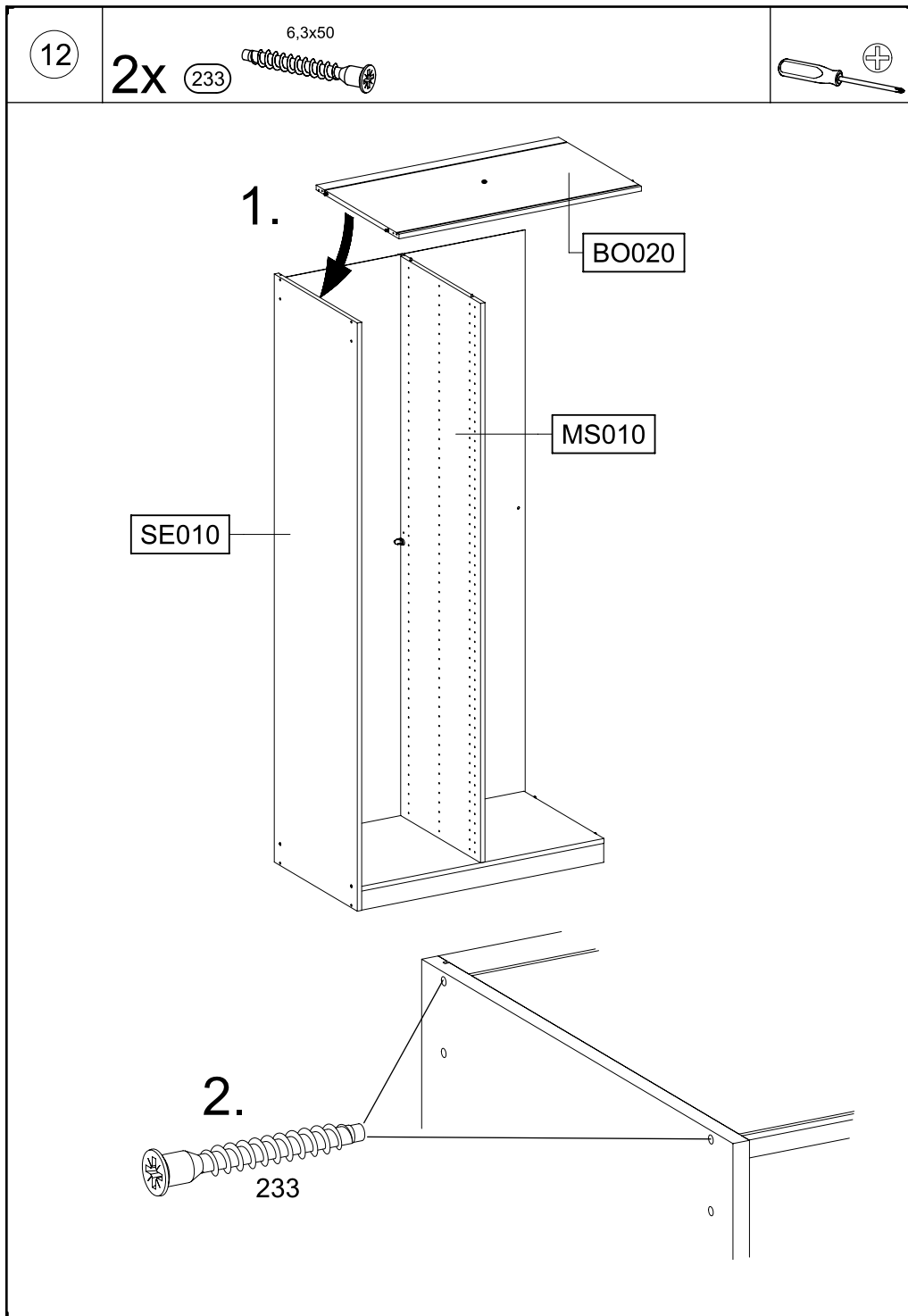


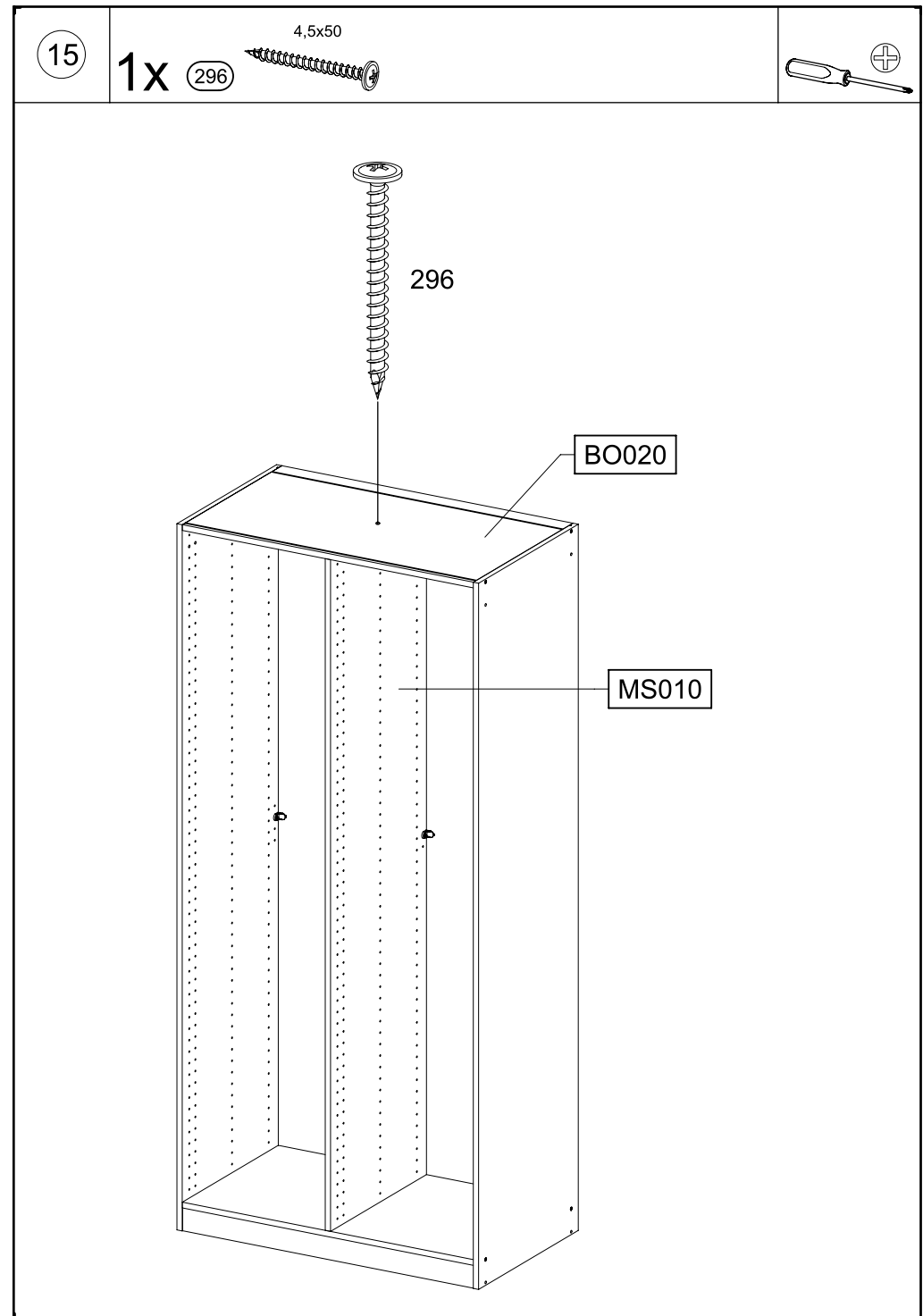
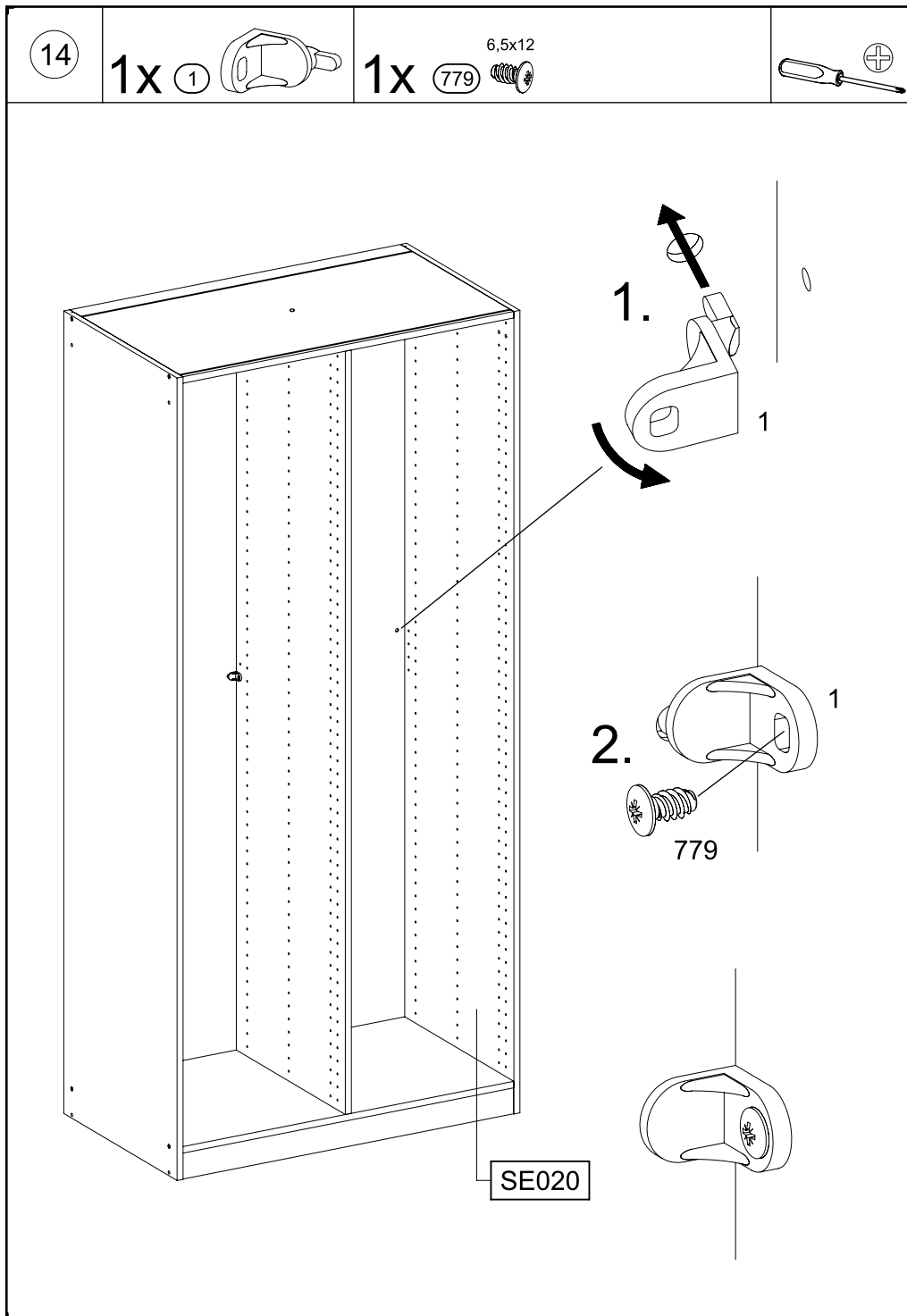








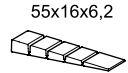




16

0-2x 12

55x16x6,2



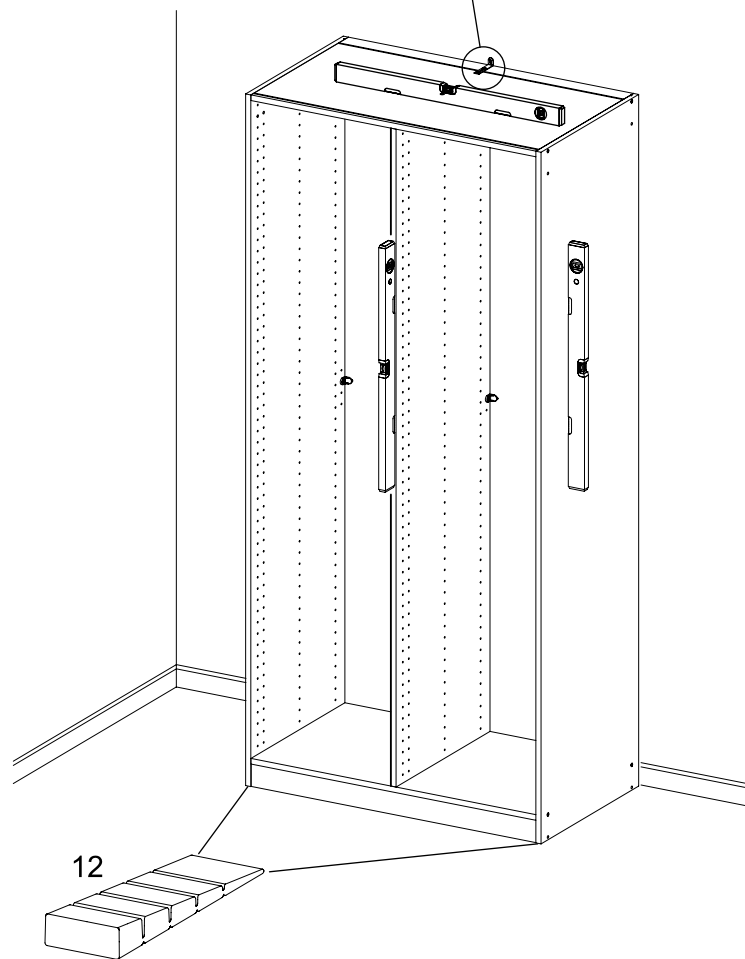
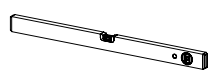
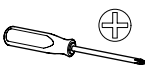
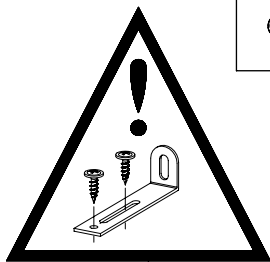
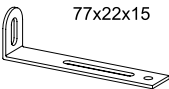
2x 201

4x15



1x 68

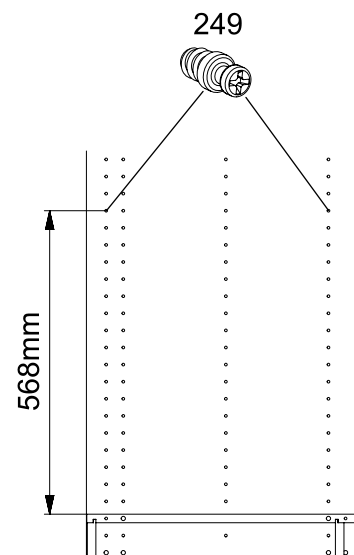
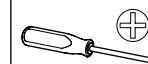
77x22x15



17

8x 249

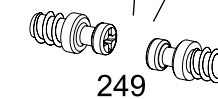
5,0x7,0



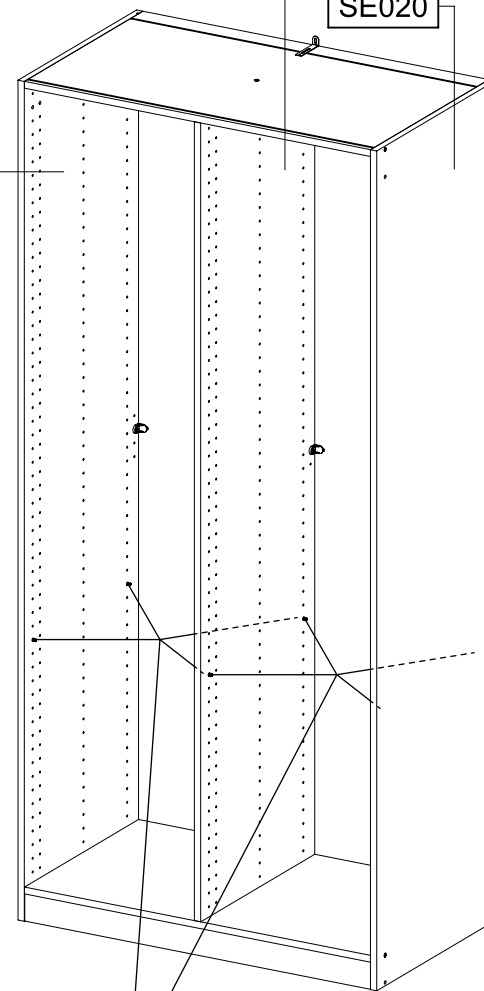
SE010

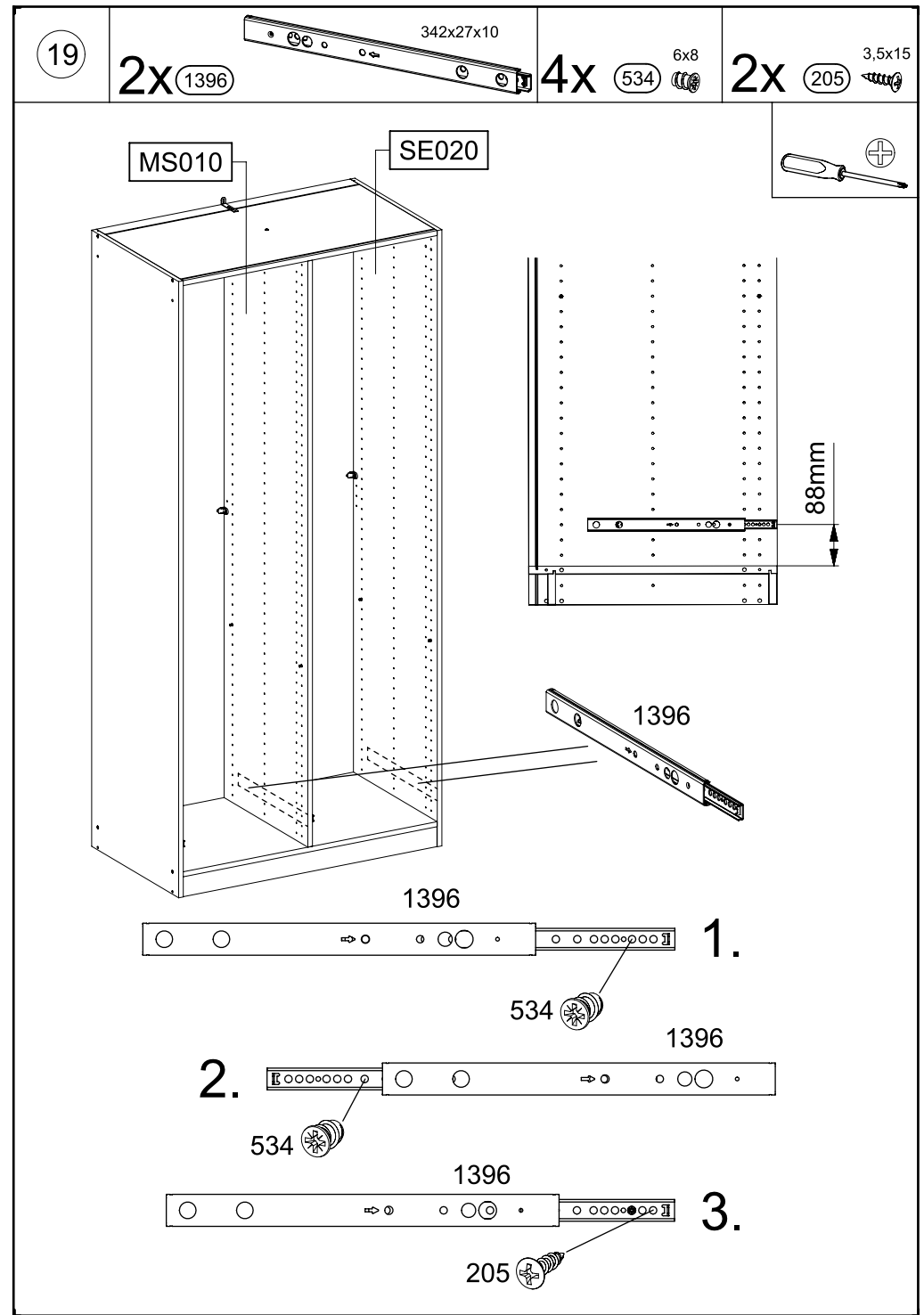
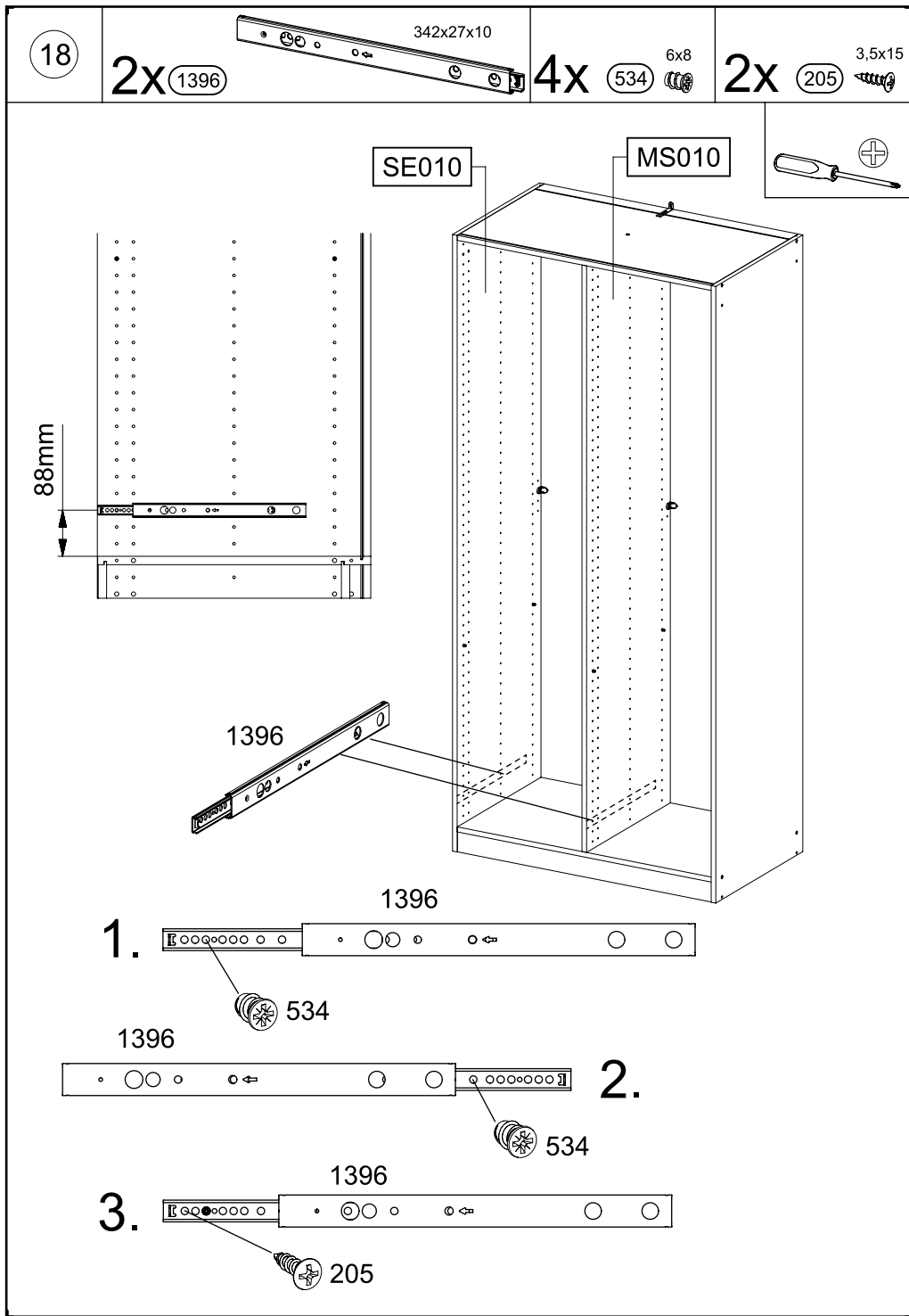
MS010

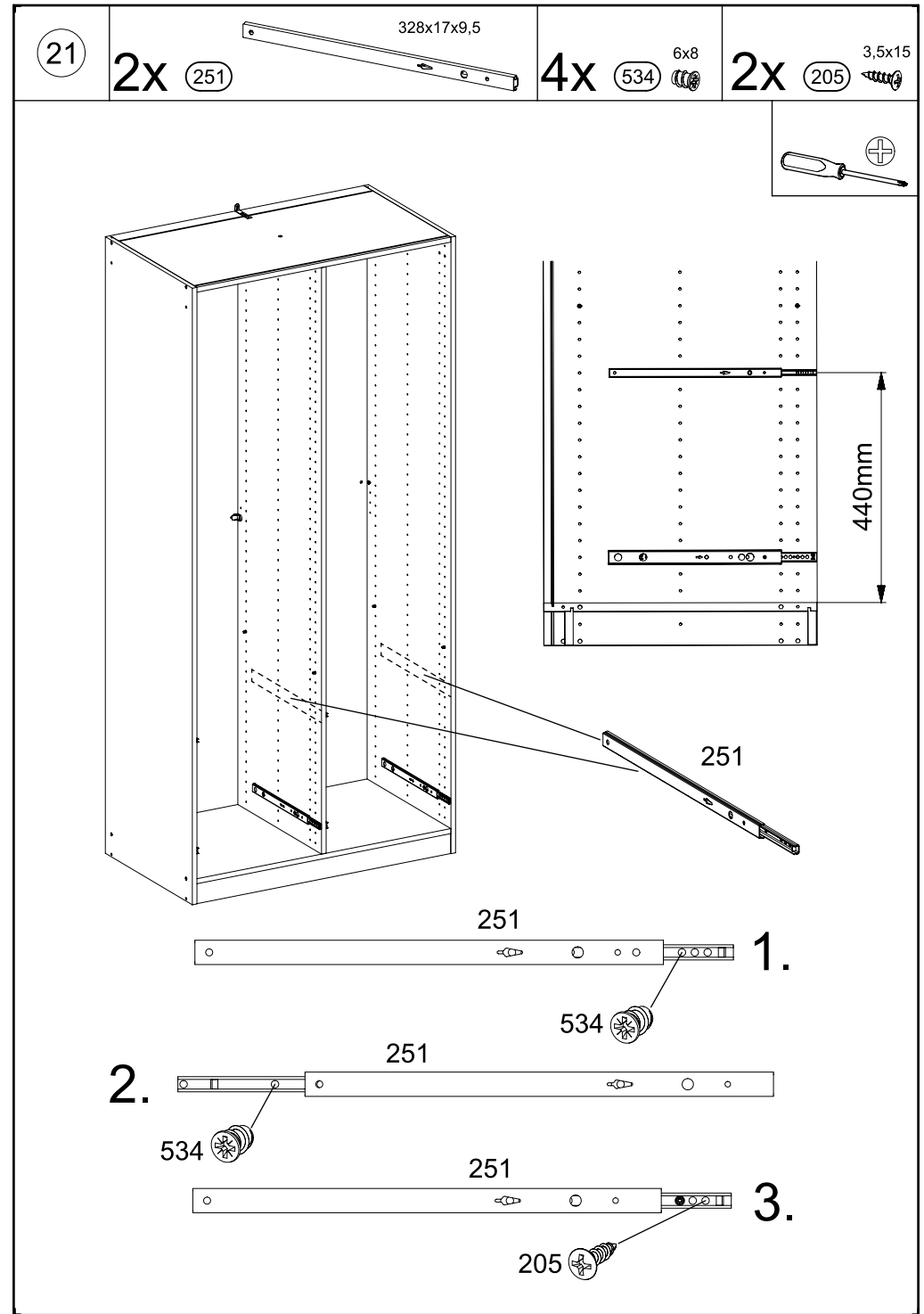
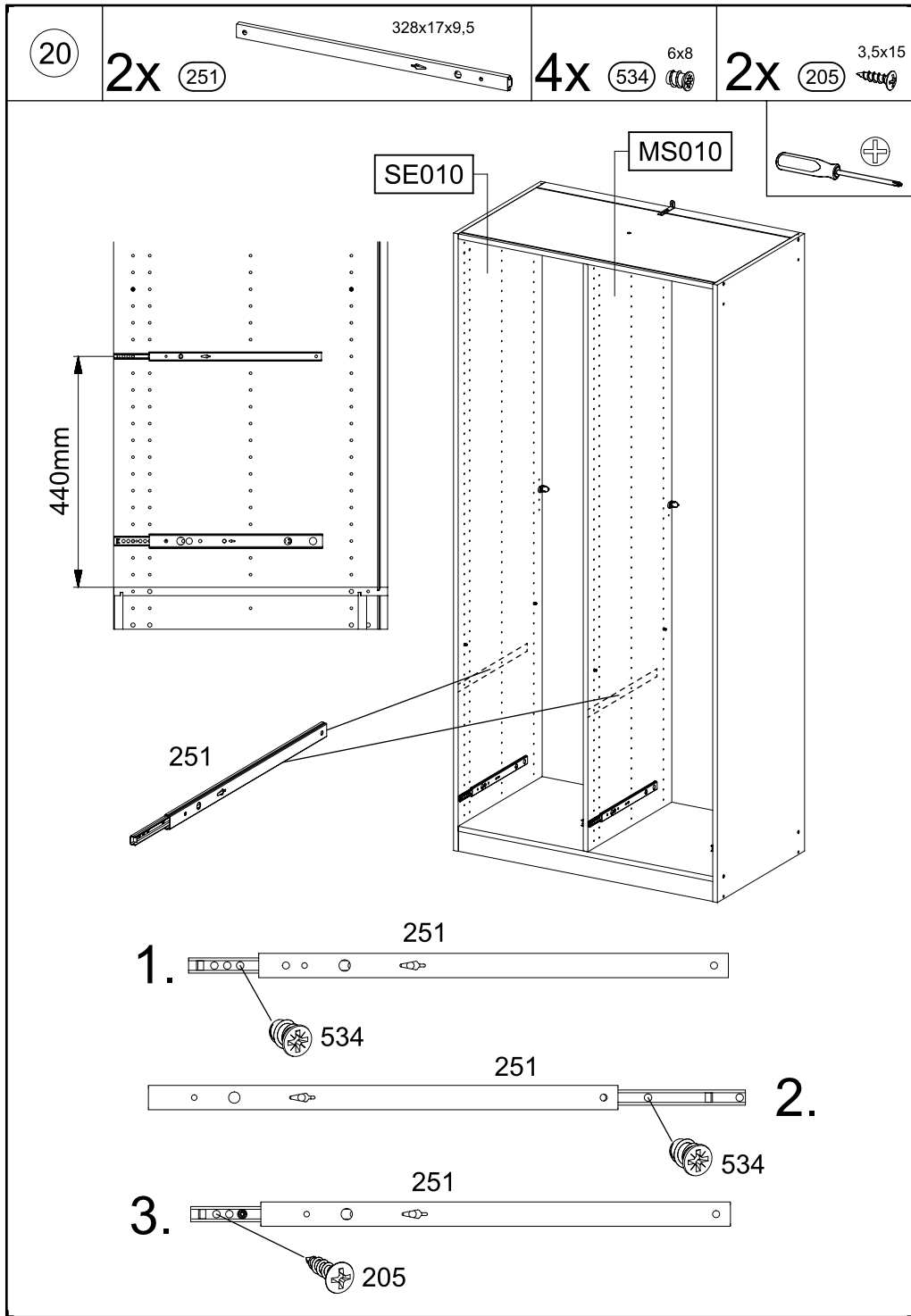
SE020



249



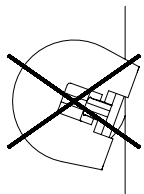
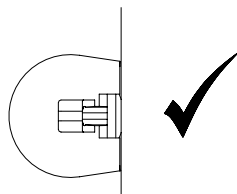
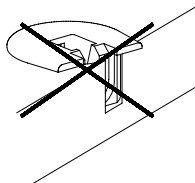
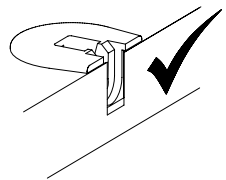
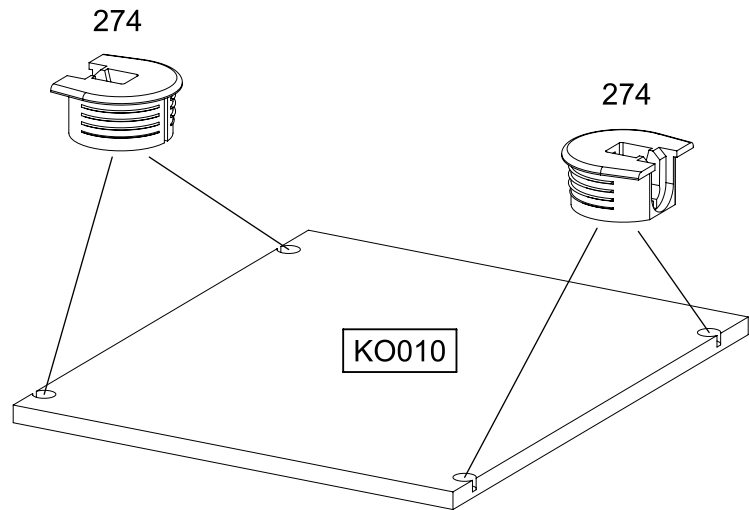
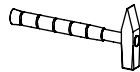




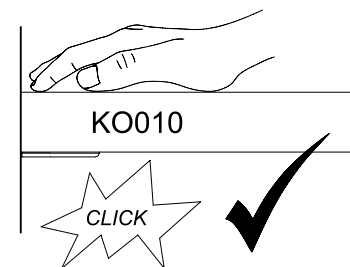
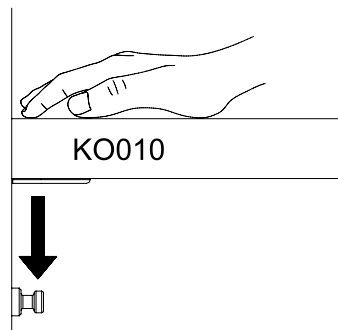
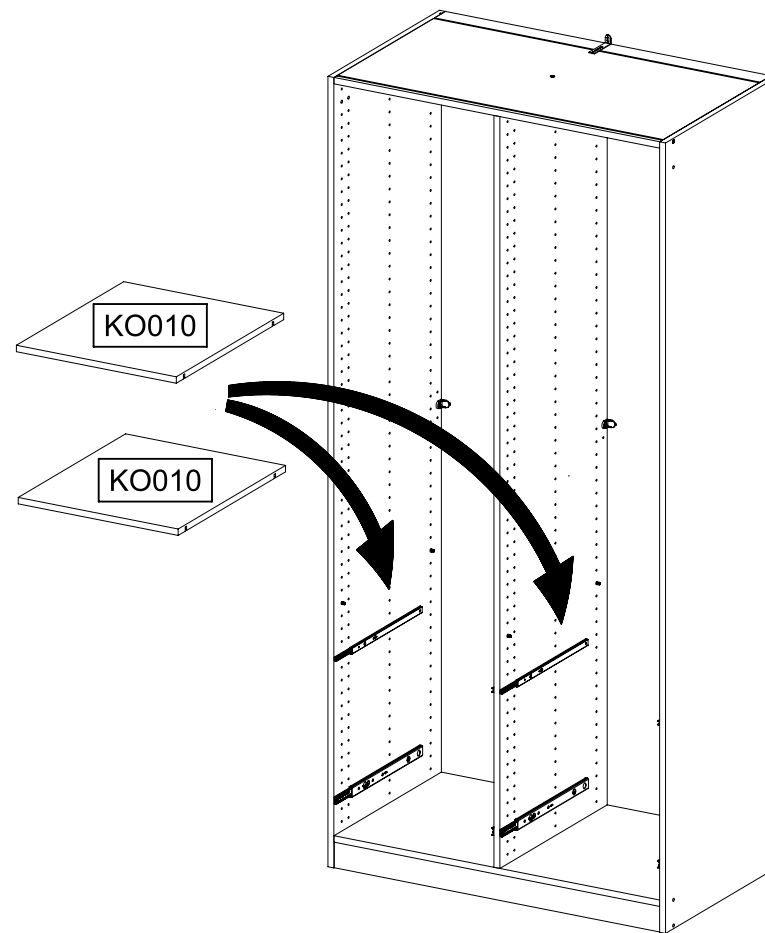
22

8x

274

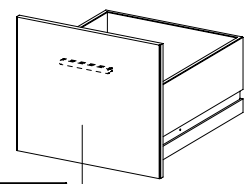
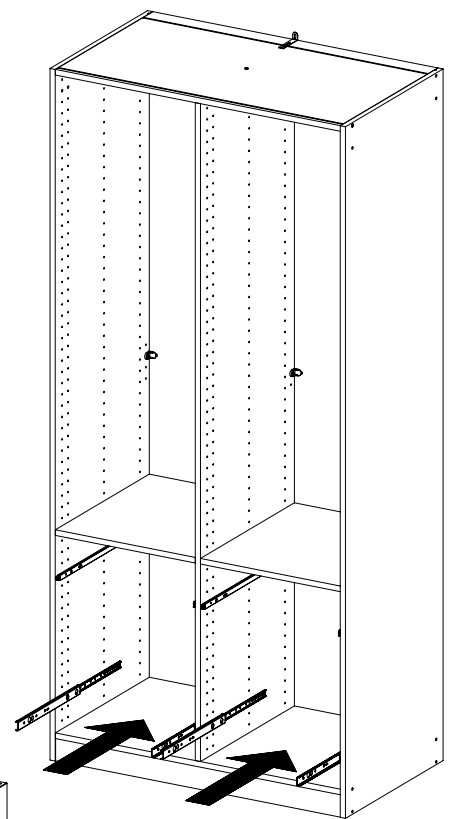
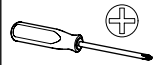


23

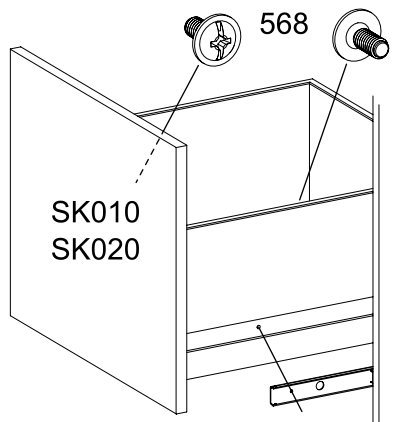


24

4x 568 M4x9



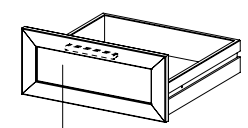
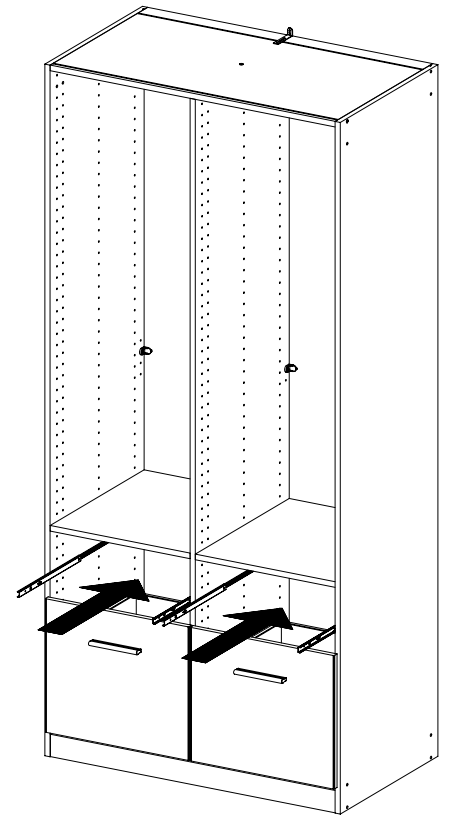
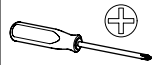
SK010  
SK020



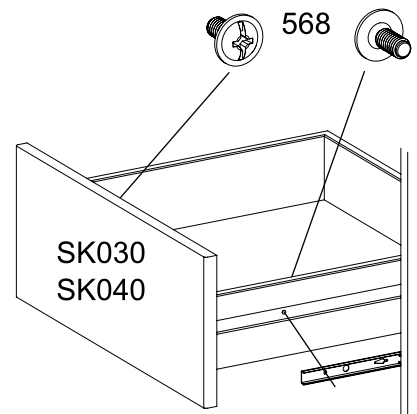
SK010  
SK020

25

4x 568 M4x9



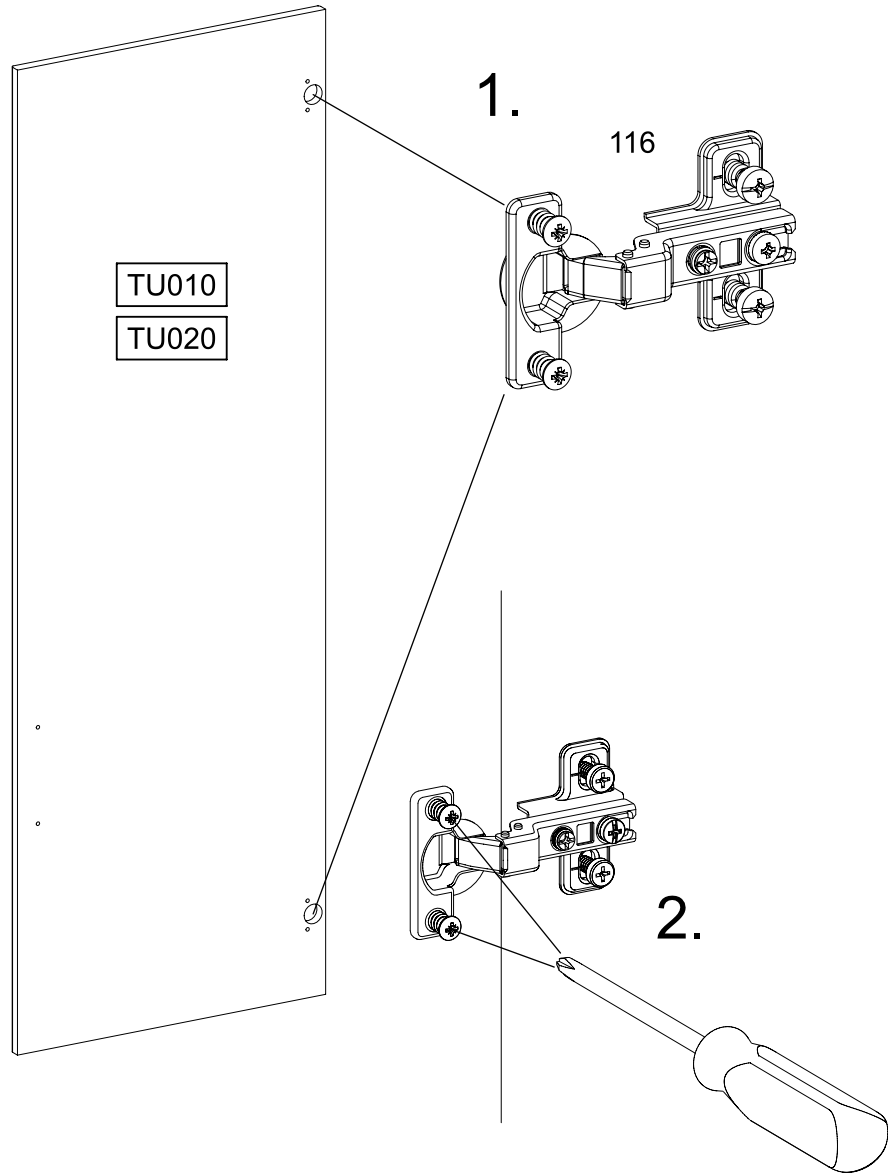
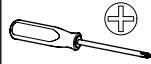
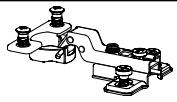
SK030  
SK040



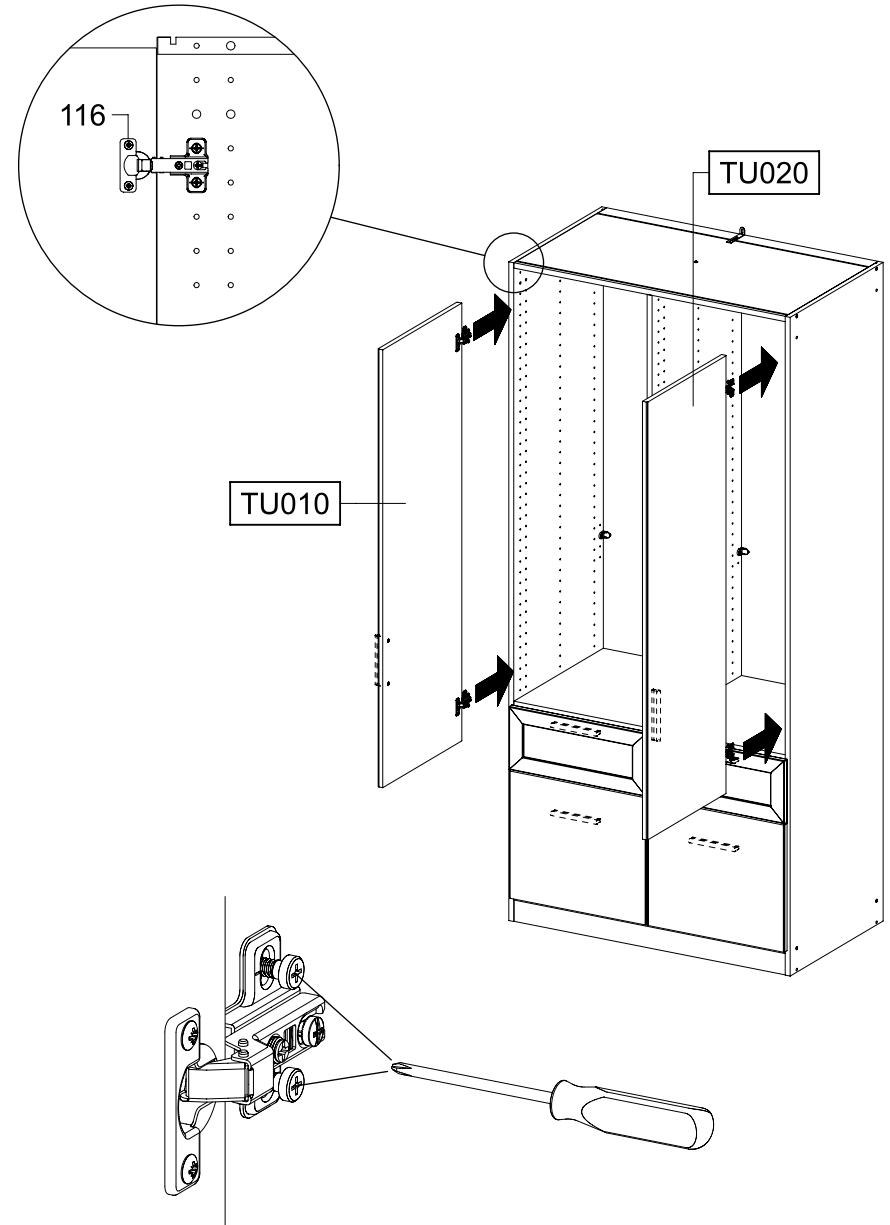
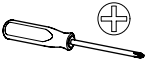
SK030  
SK040

26

4x 116

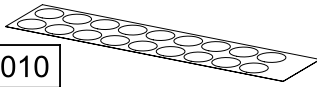


27

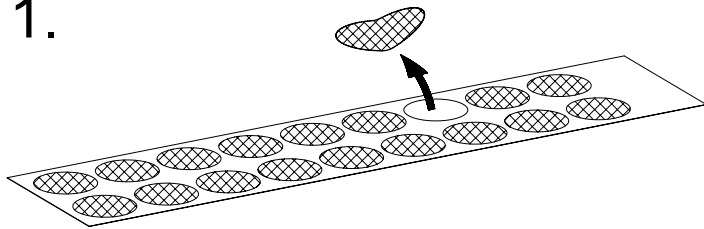


28

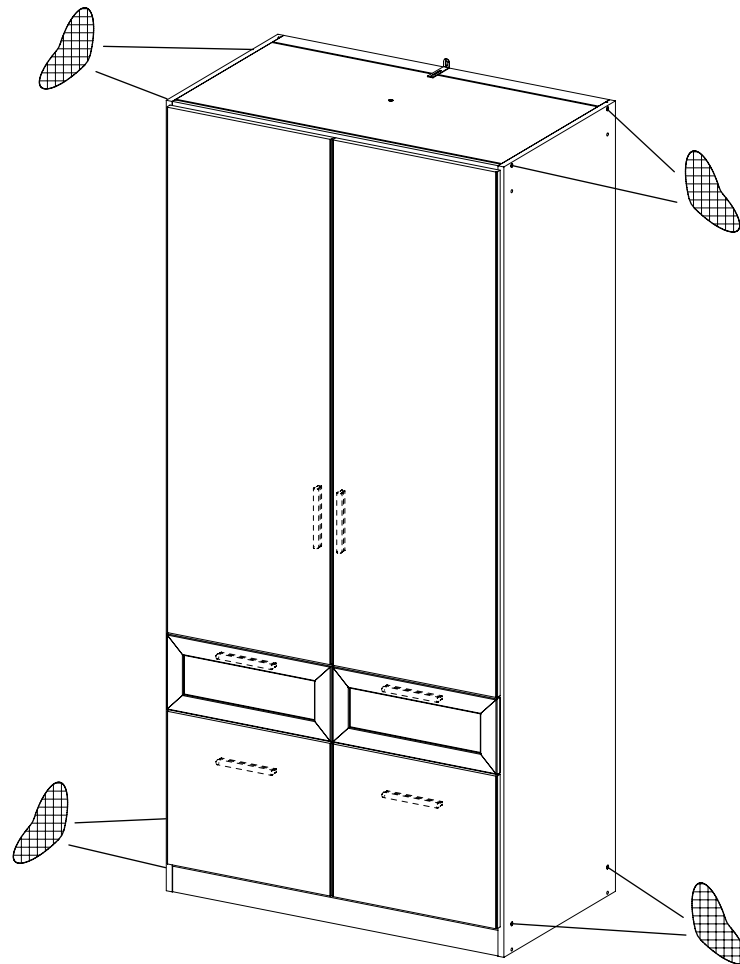
1x RE010



1.



2.



29

