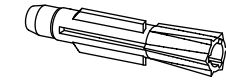
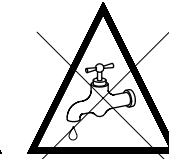
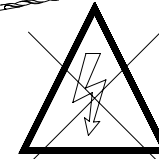
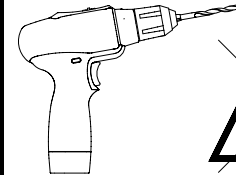
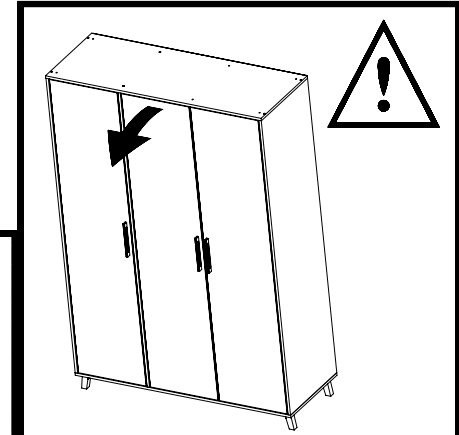
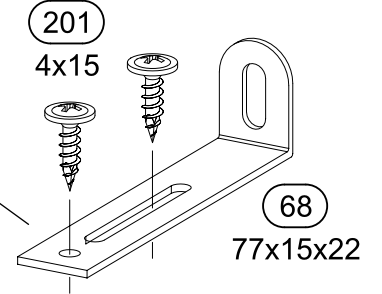
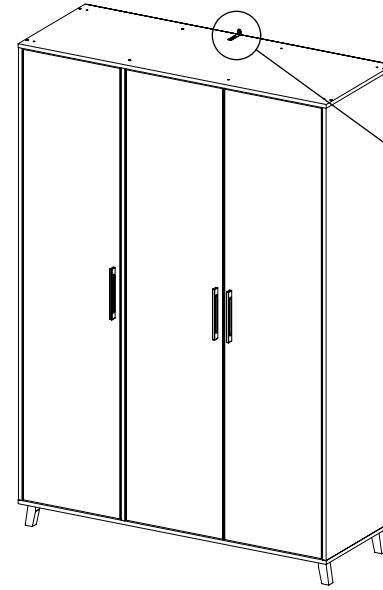
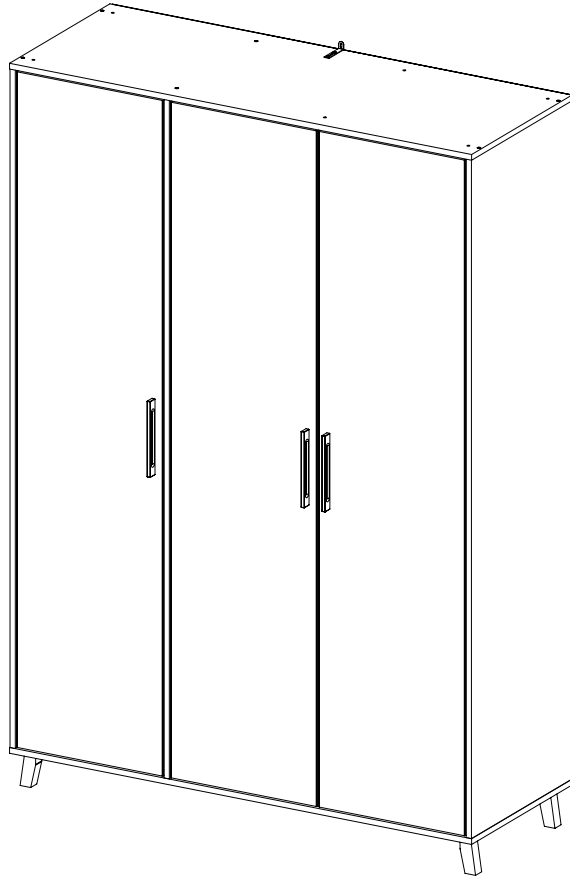
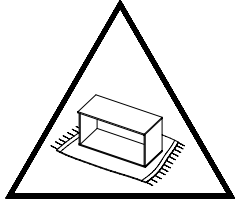
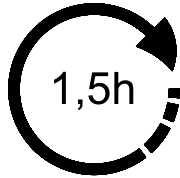
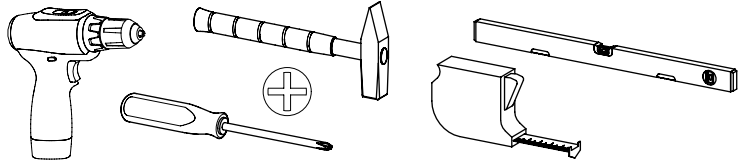
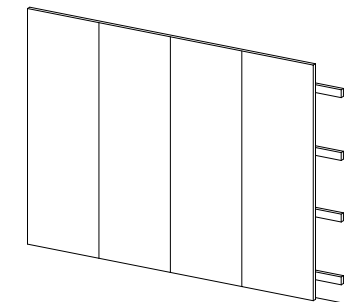
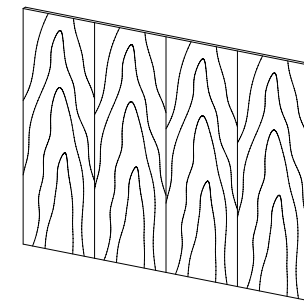
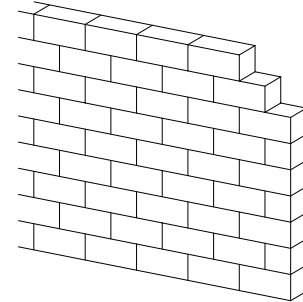
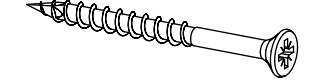
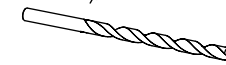
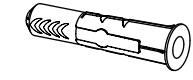
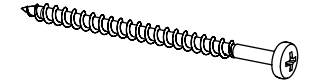
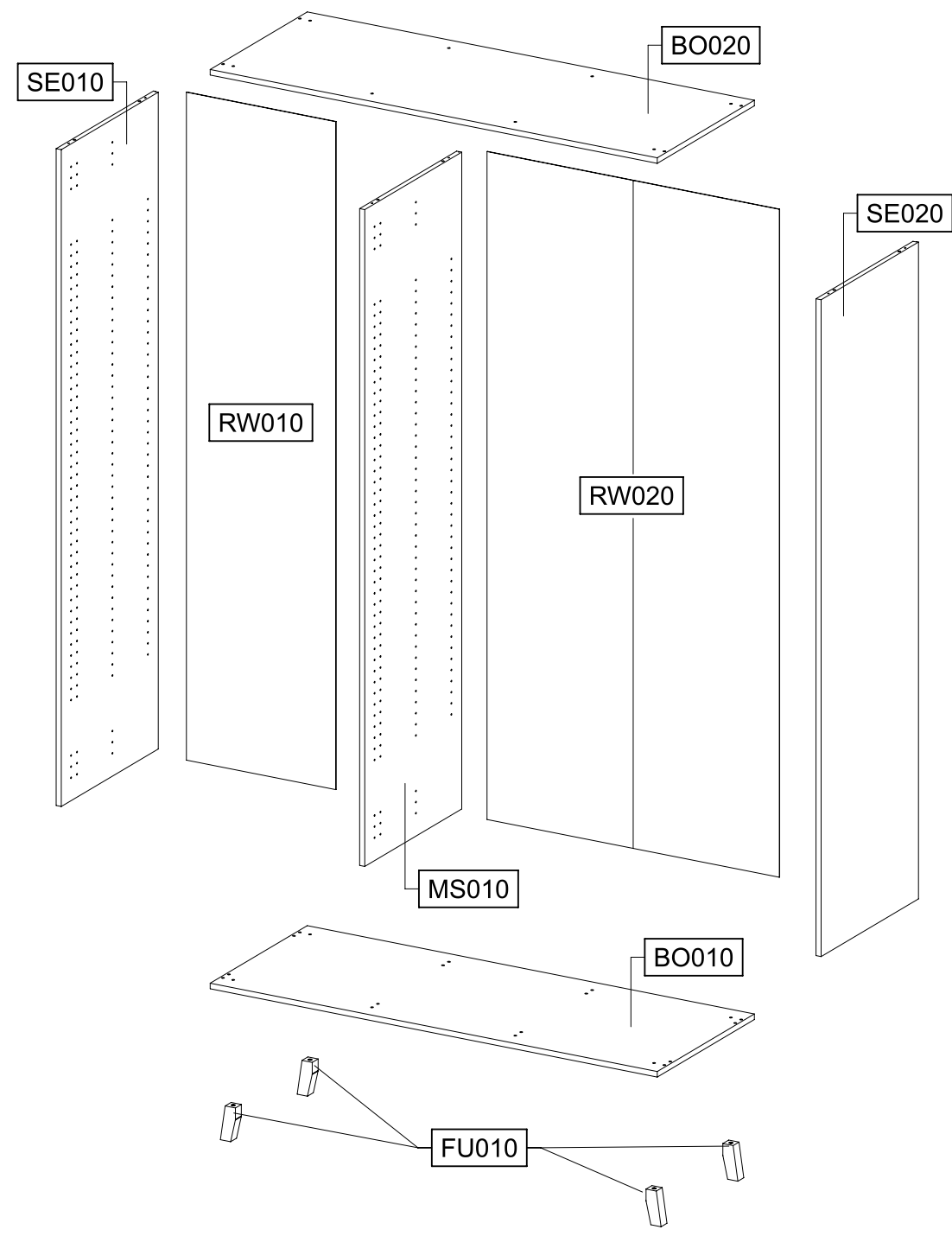
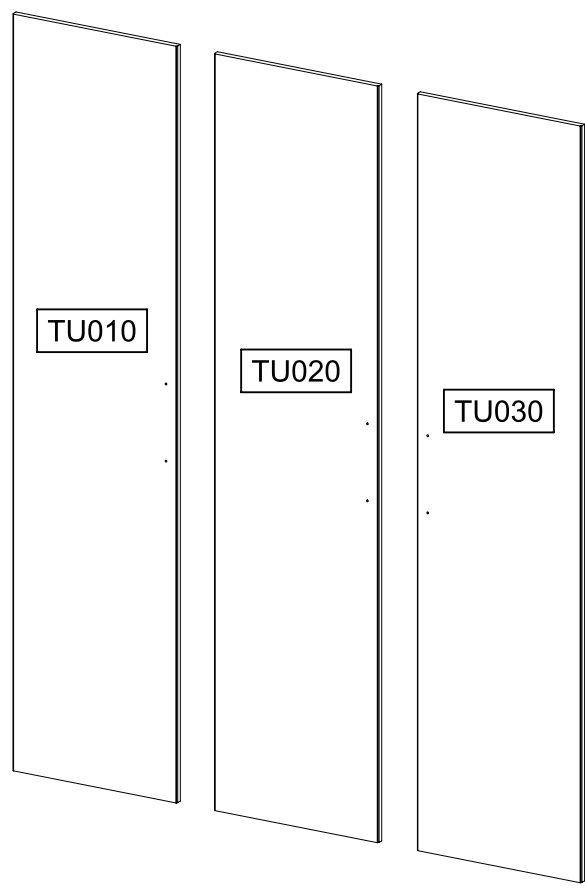





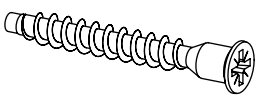
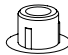


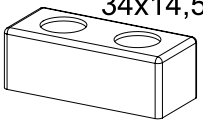
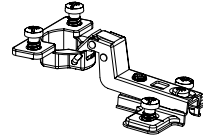
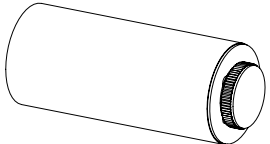
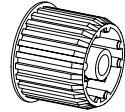
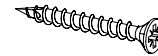
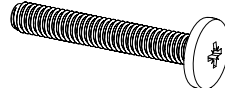
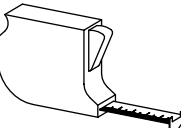
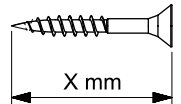
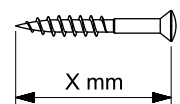
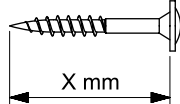
M3000_01


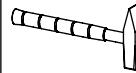
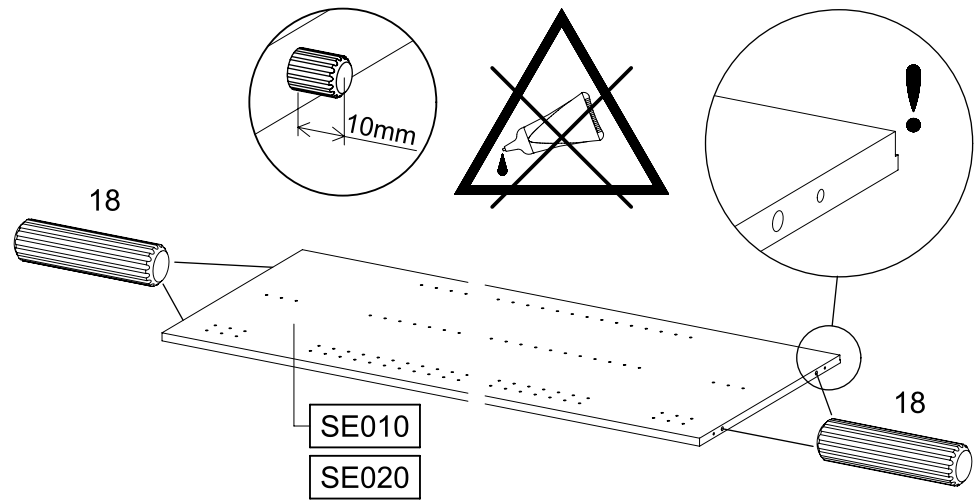
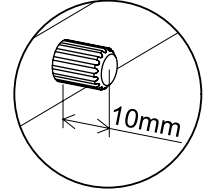
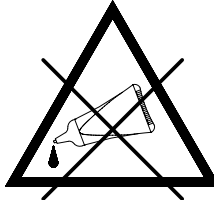
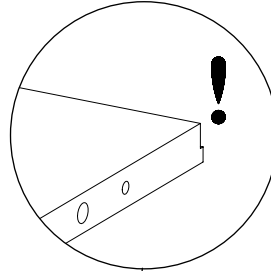
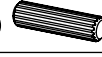
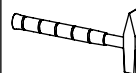
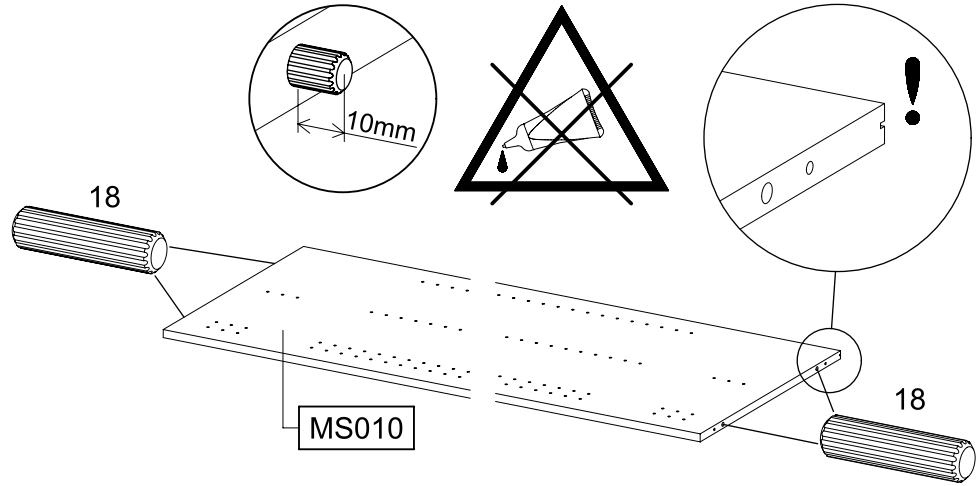
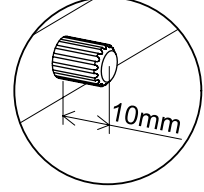
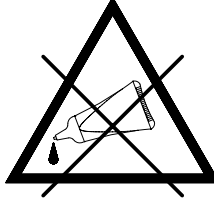
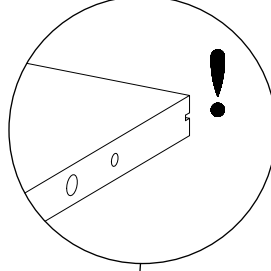


ØXmm



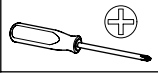
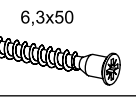


 11	12x 8x30  18	10x 3x20  215
12x 6,3x50  233	14x Ø8  405	6x 4x20  427
40x 1,5x25  768	3x 34x14,5x12  769	9x  1375
1x  1392	1x  1393	4x 3,5x30  318
4x M6x40  245		
  X mm  X mm  X mm		

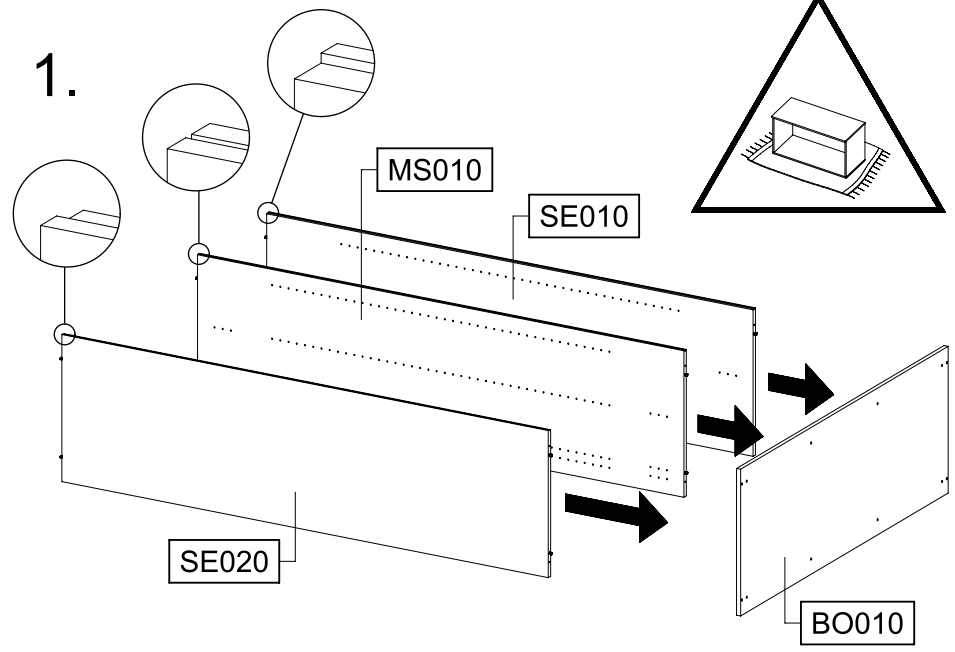
1	8x 18 8x30 	
   		
2	4x 18 8x30 	
   		

3

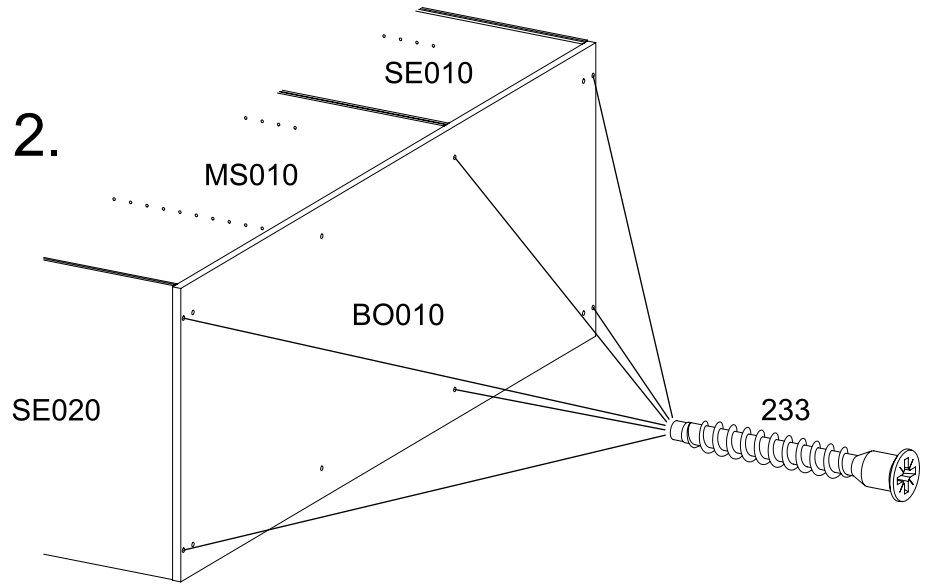
6x 233



1.

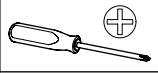
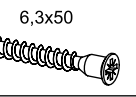


2.

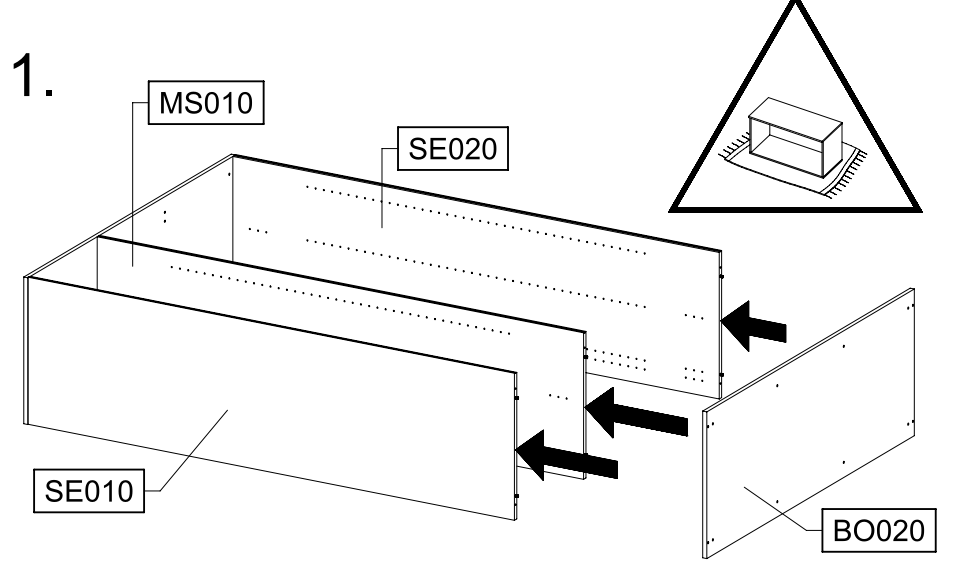


4

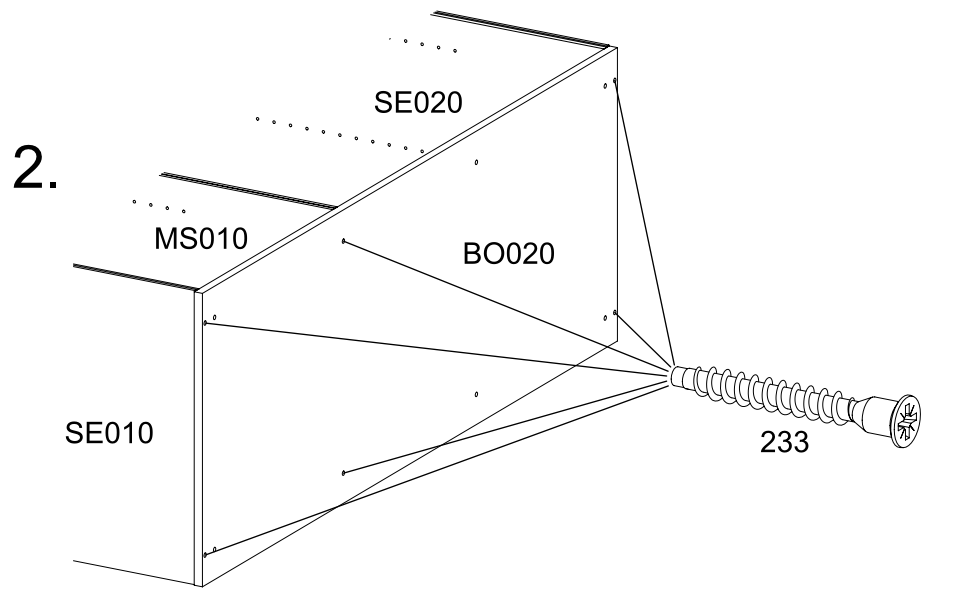
6x 233

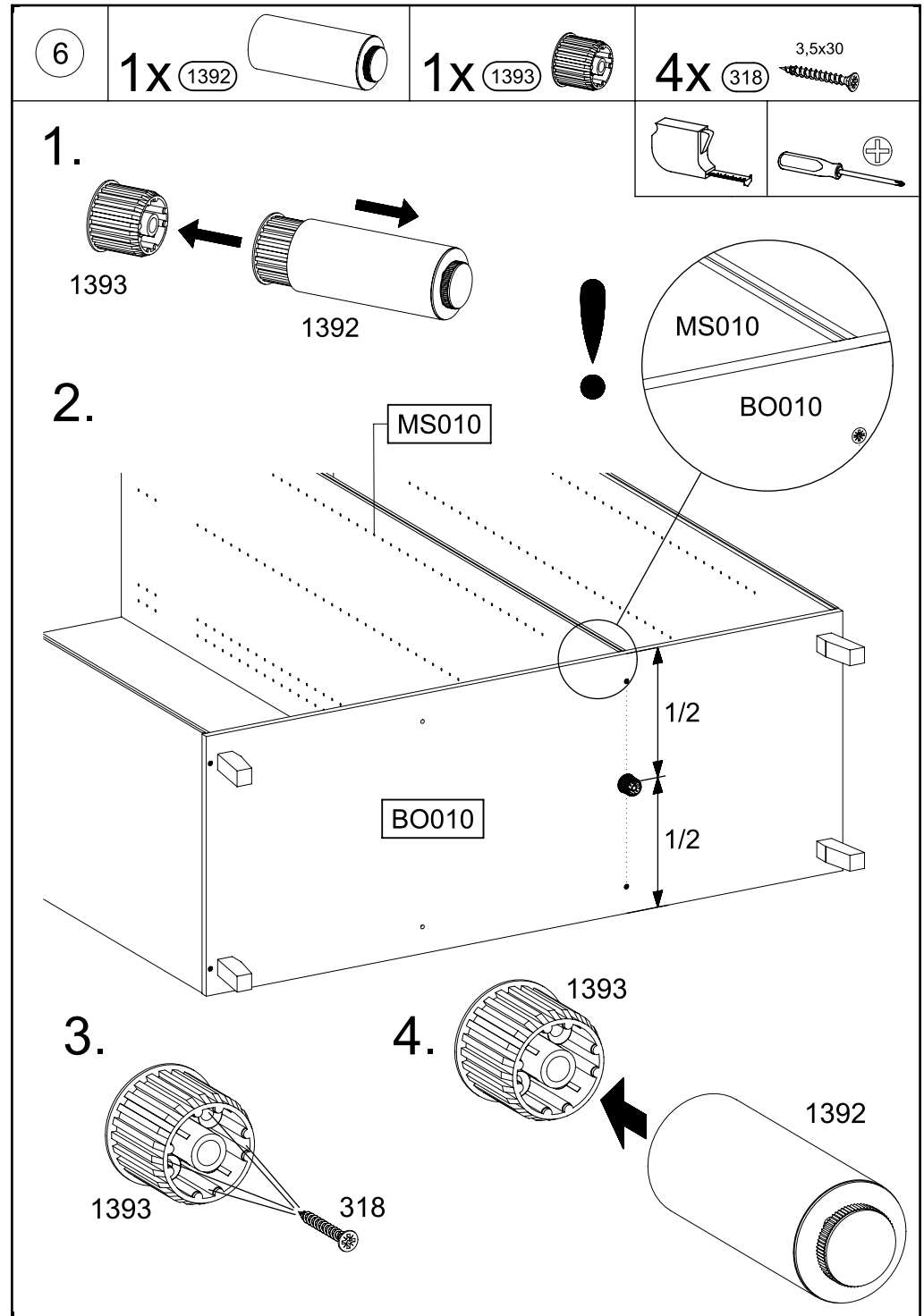
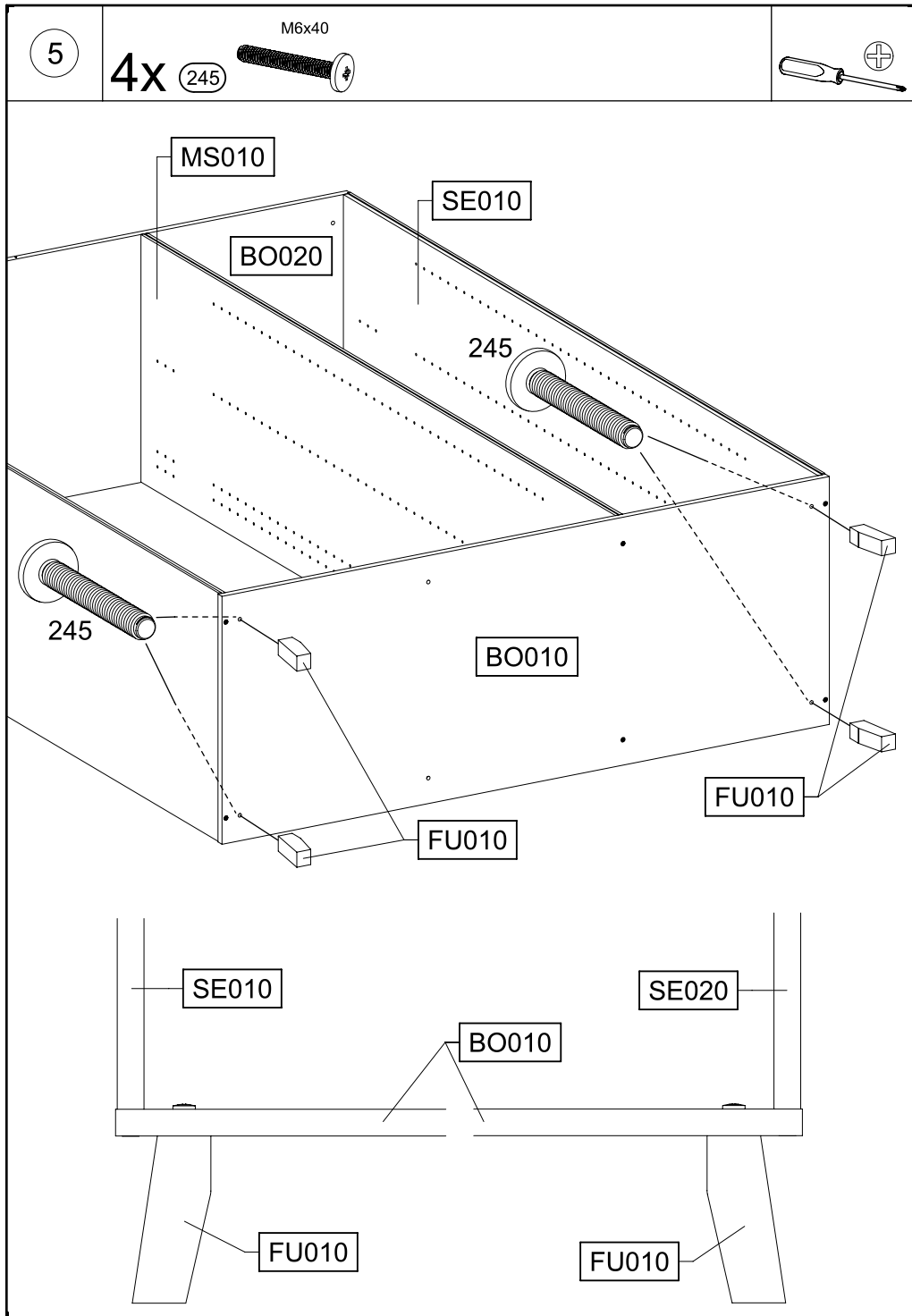


1.



2.



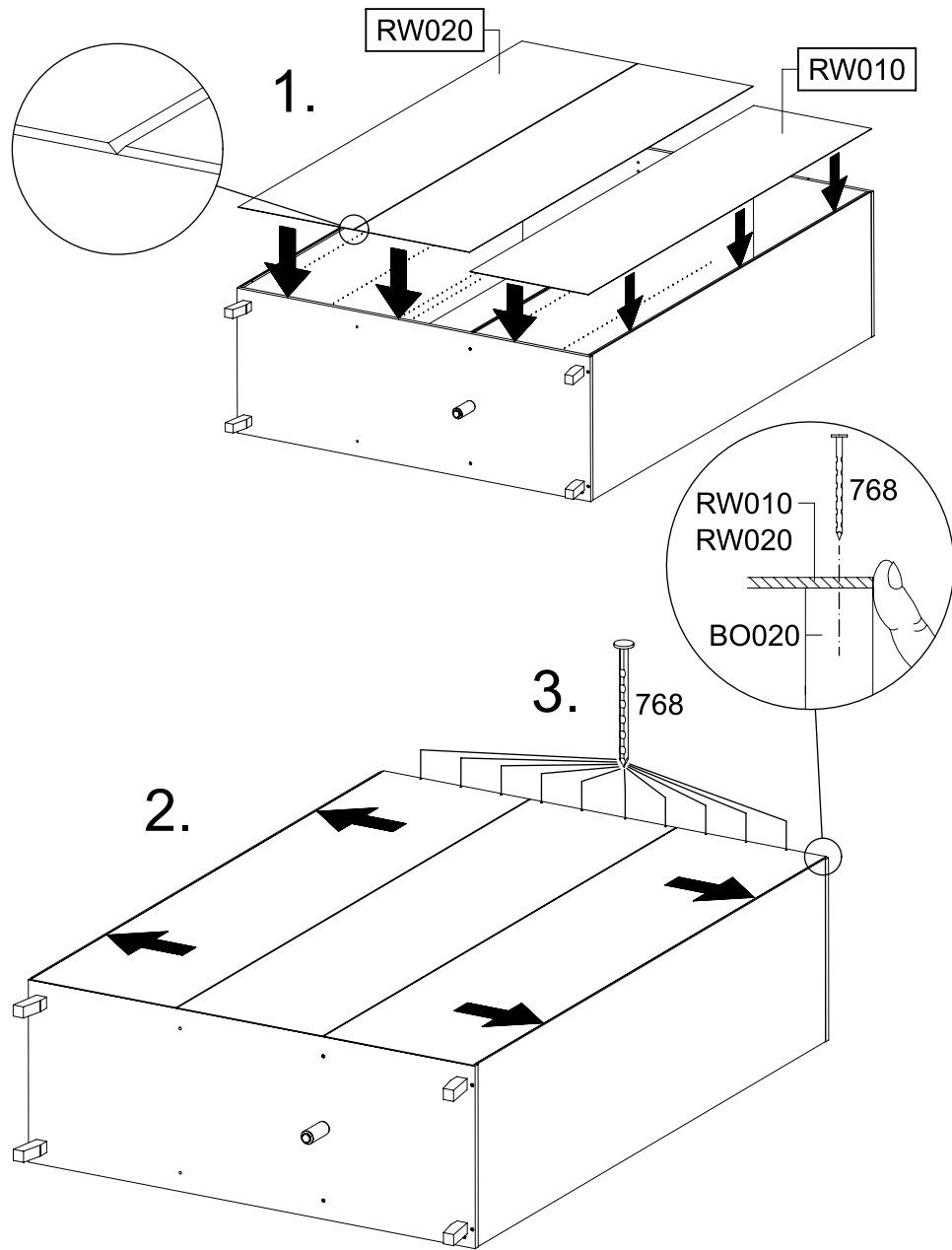
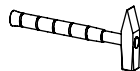
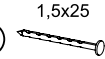


7

10x

768

1,5x25

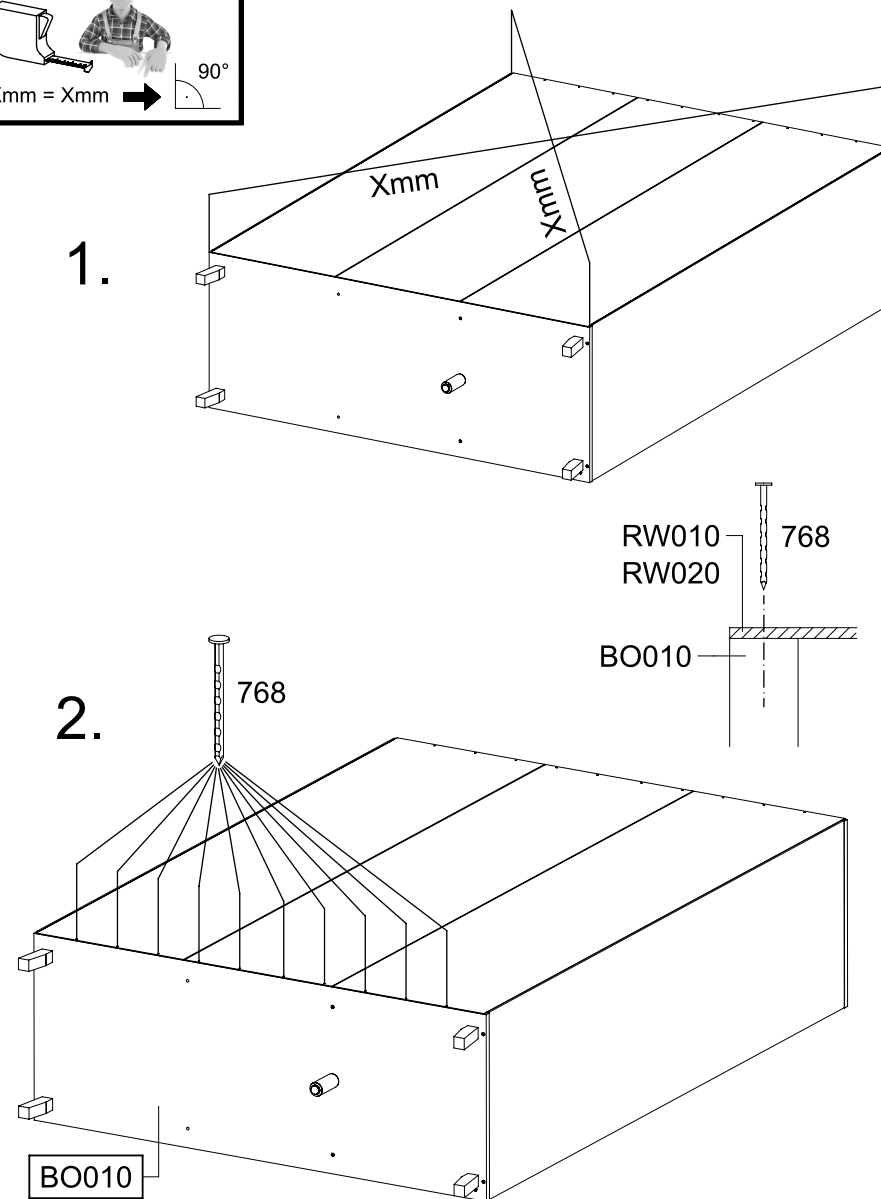
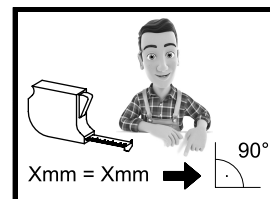
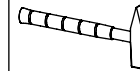
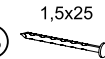


8

10x

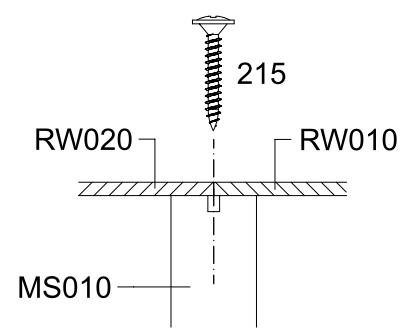
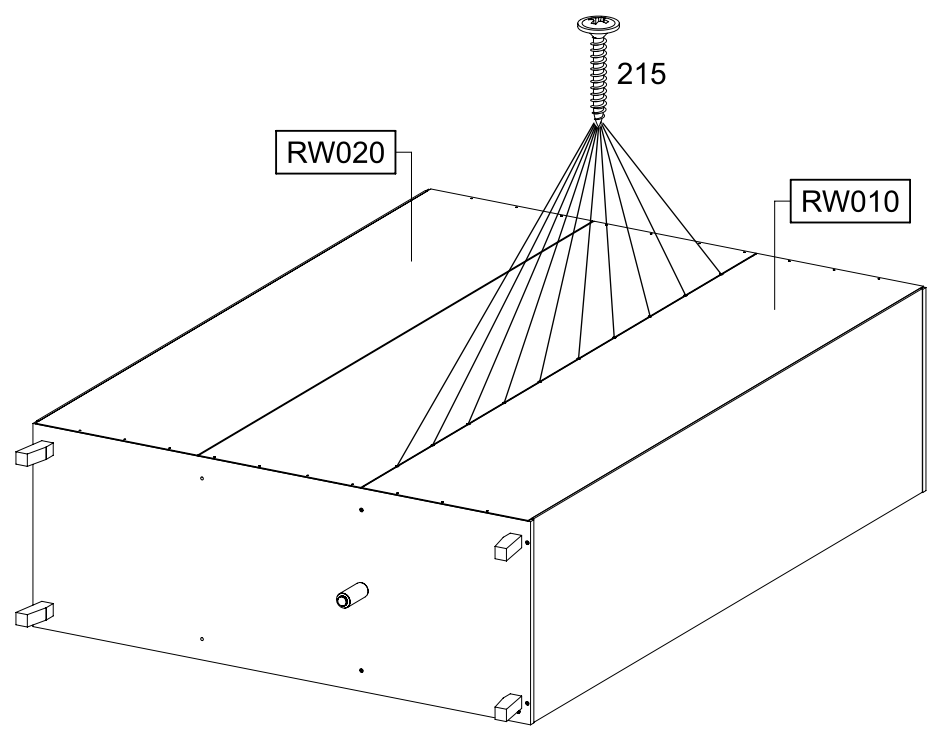
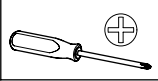
768

1,5x25



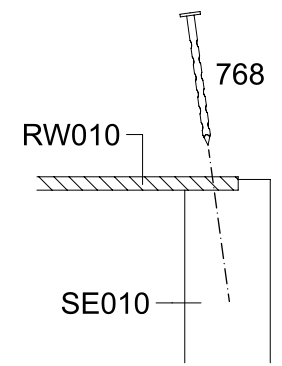
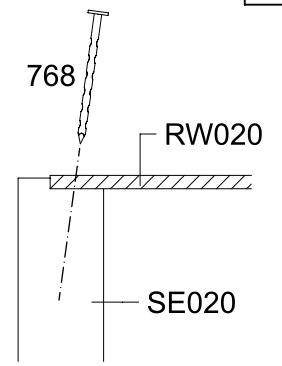
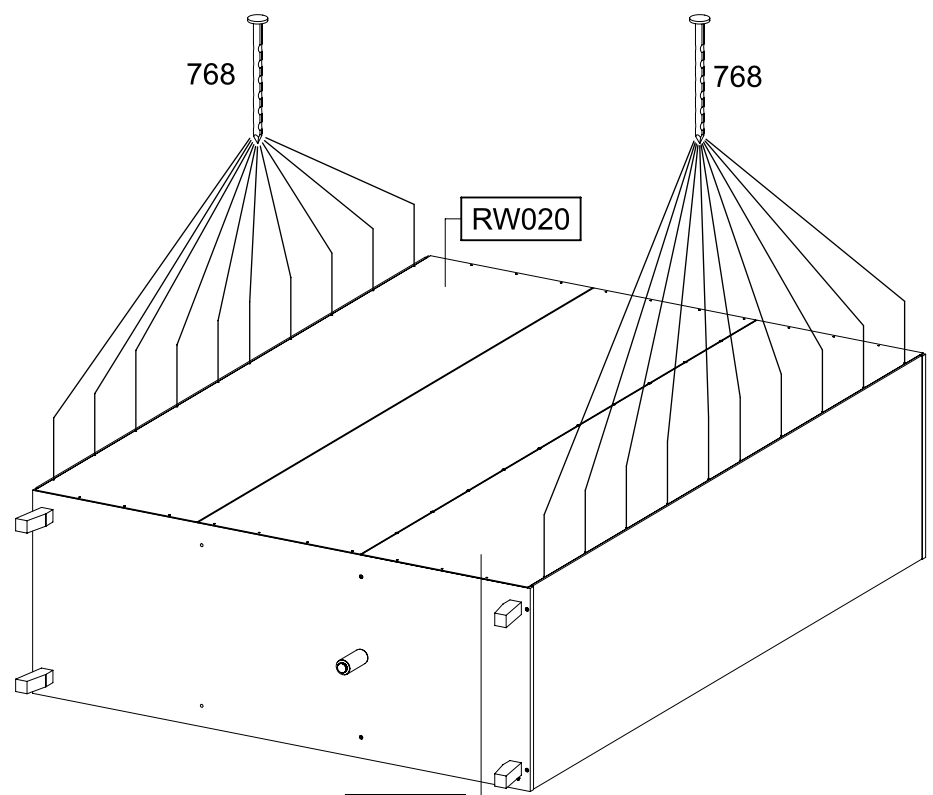
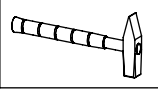
9

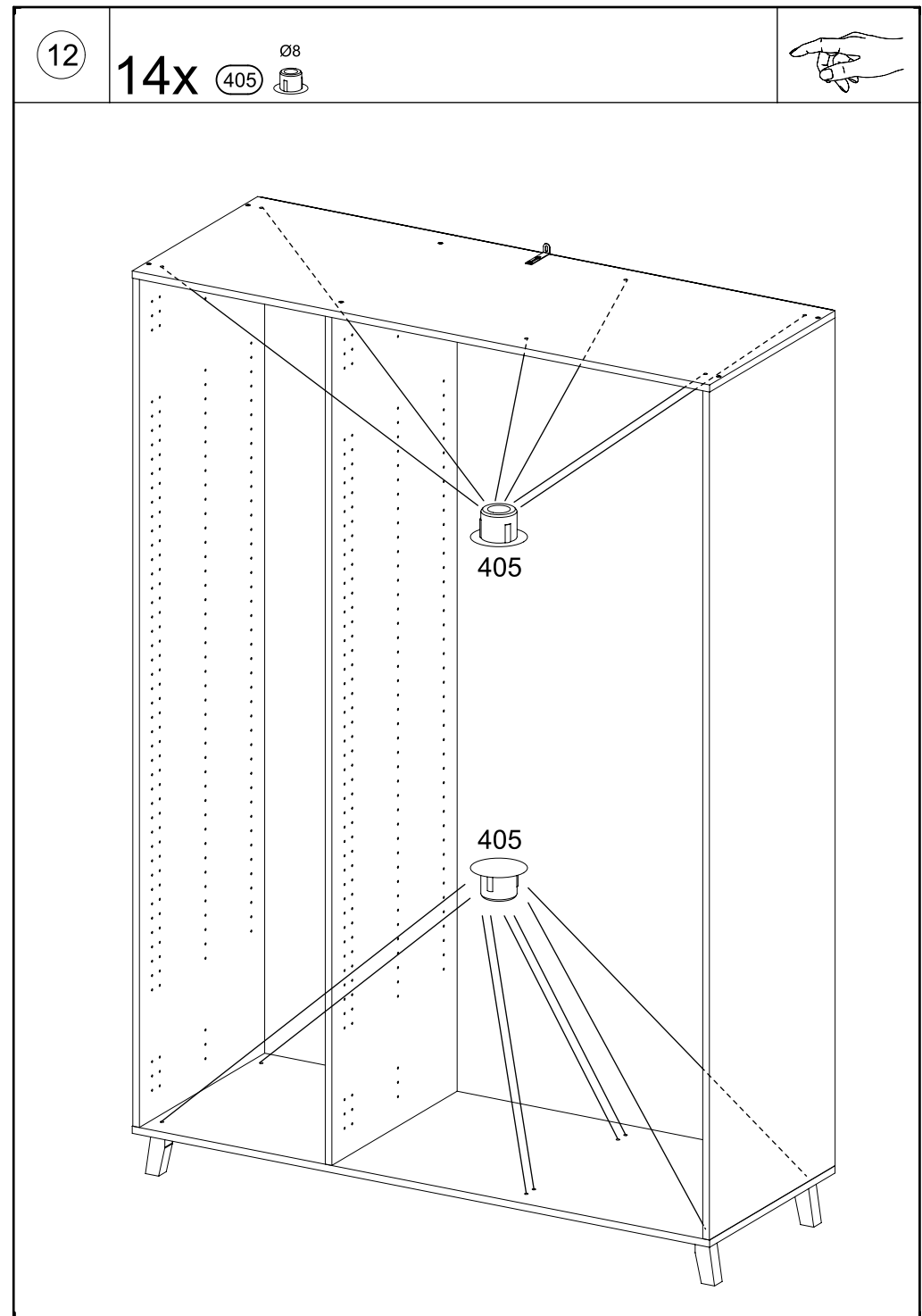
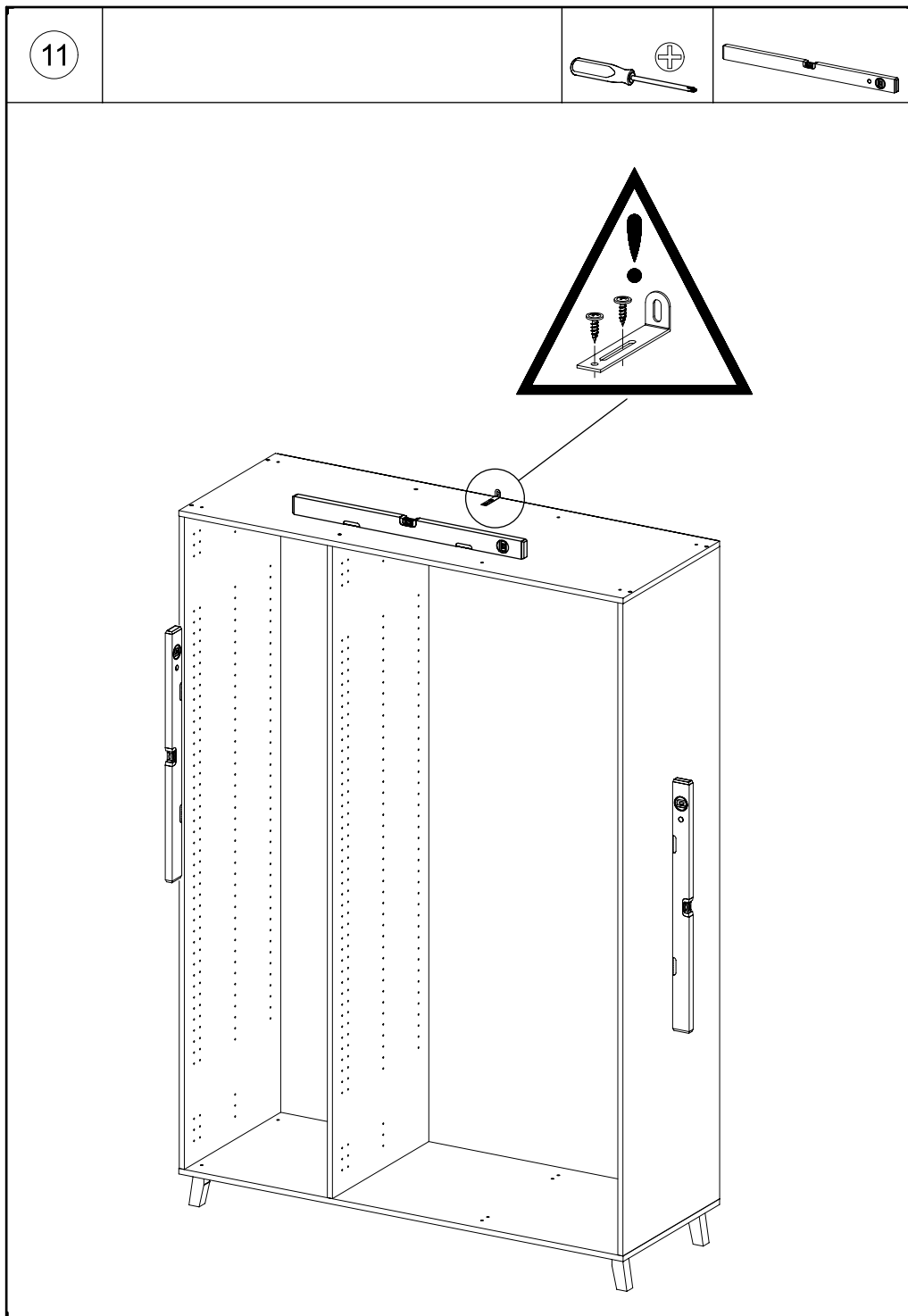
10x 215 3x20

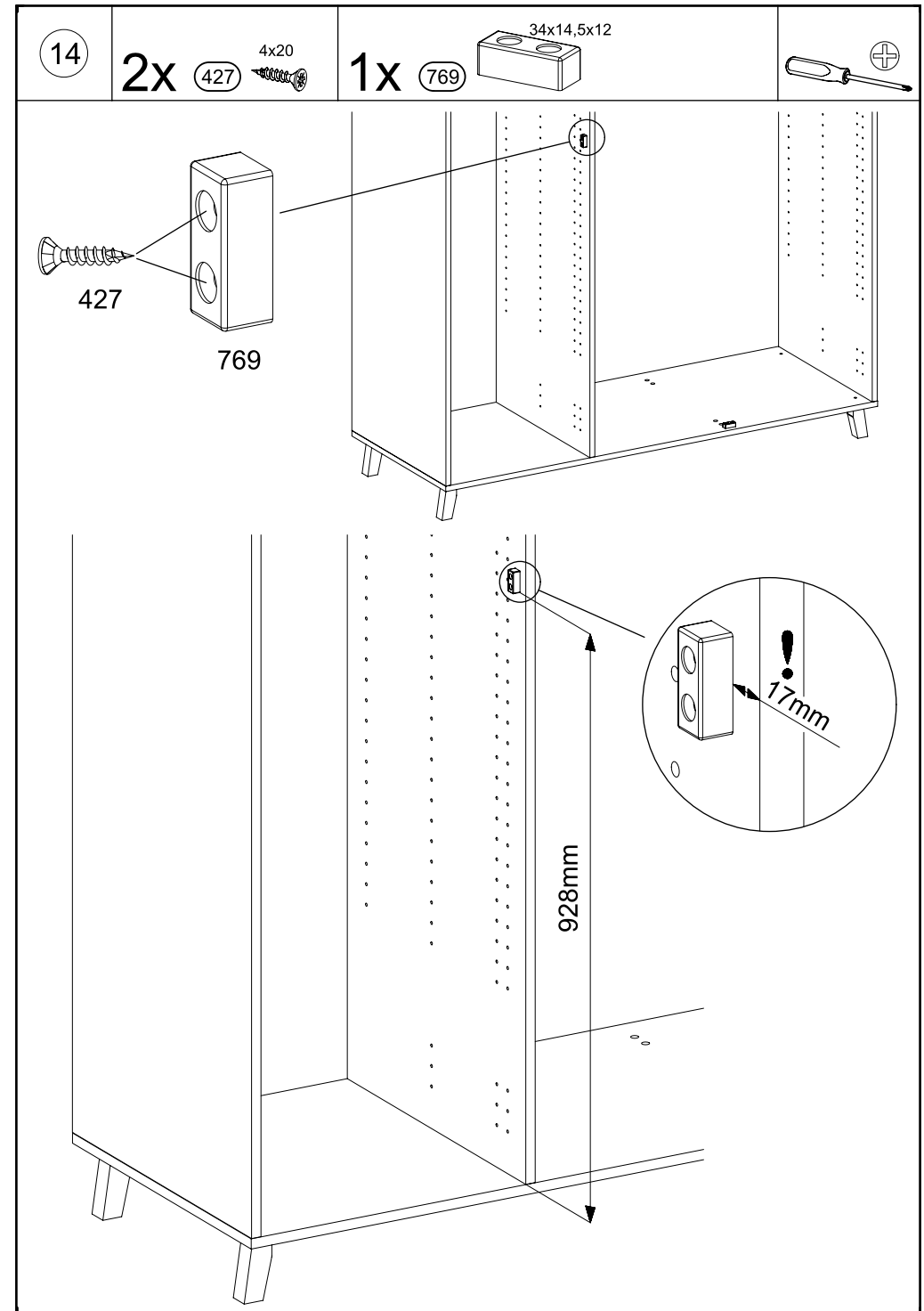
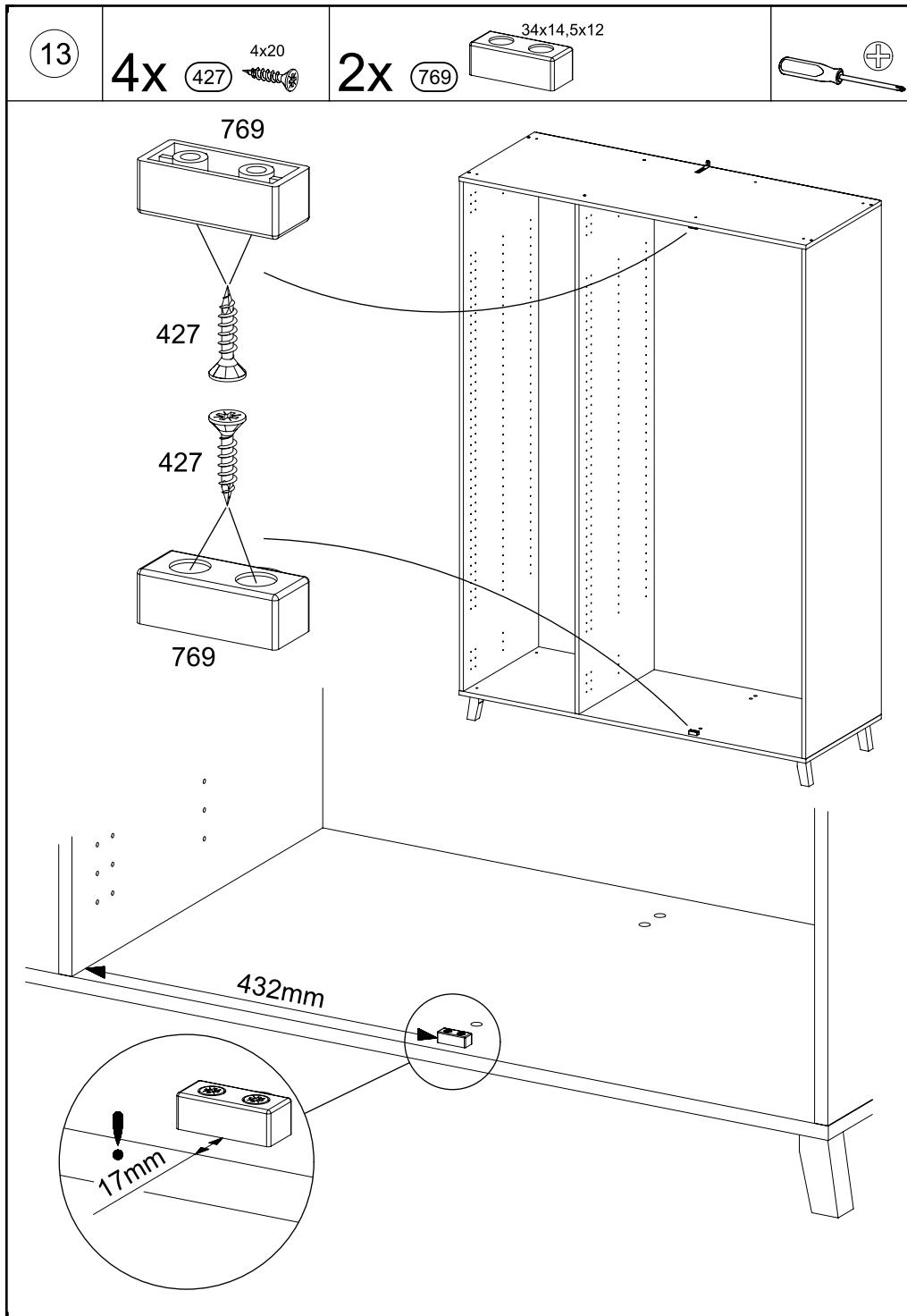


10

20x 768 1,5x25

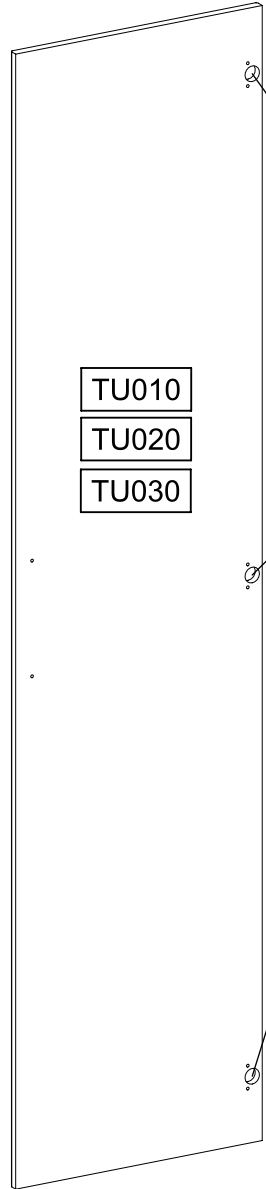
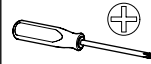
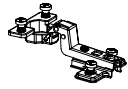




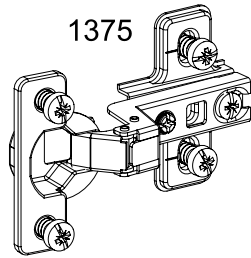


15

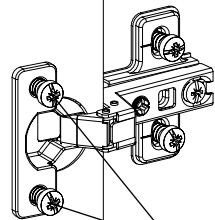
9x 1375



TU010
TU020
TU030

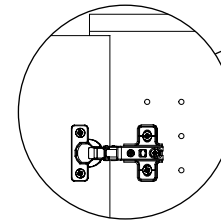
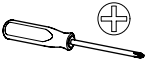


1375

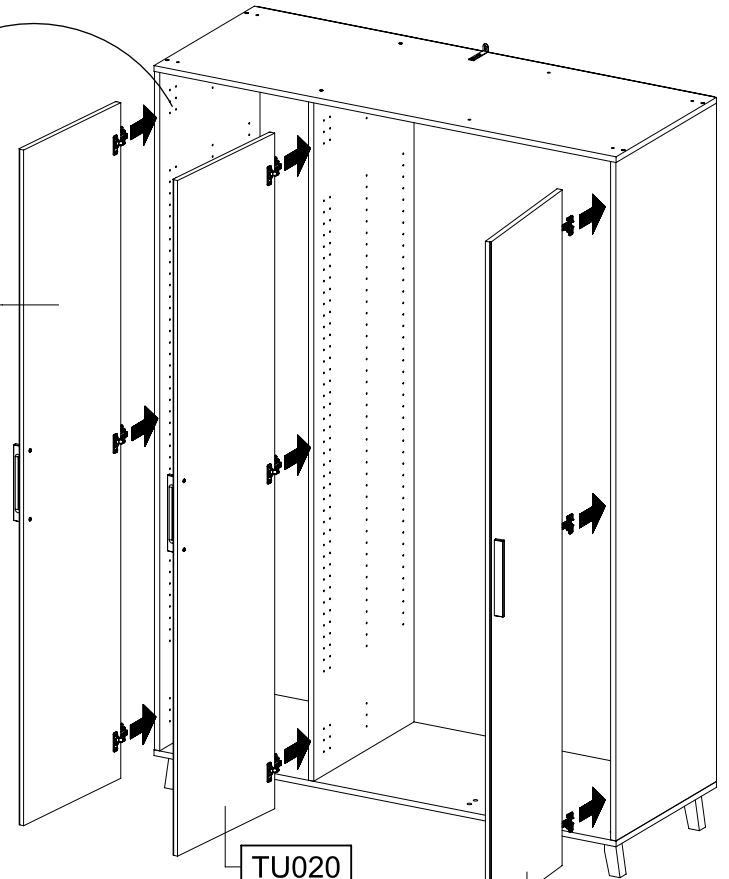


2.

16



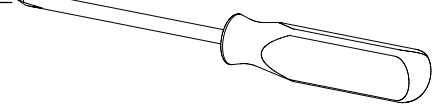
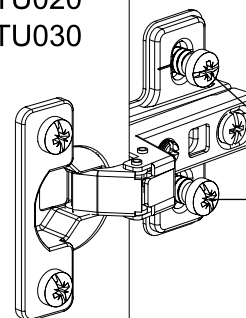
TU010



TU020

TU030

TU010
TU020
TU030



17

