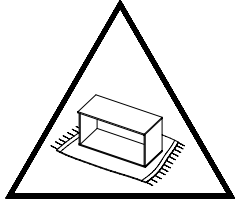
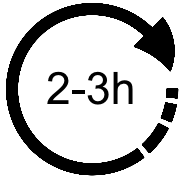
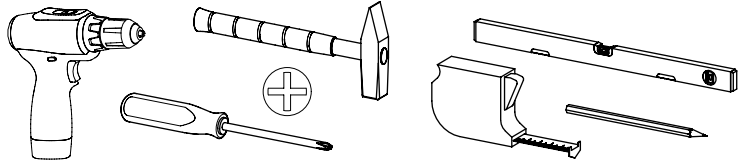


M2999_01

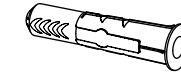
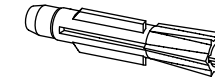
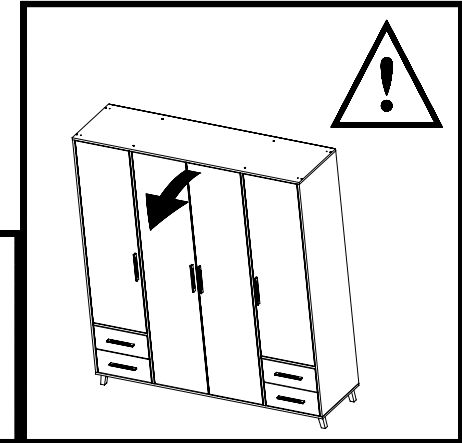
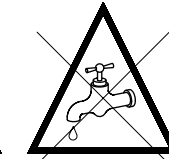
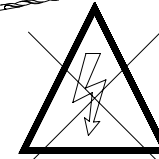
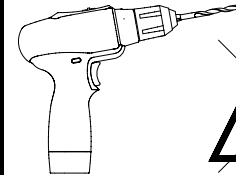
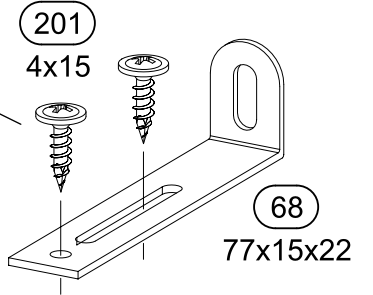


SK020

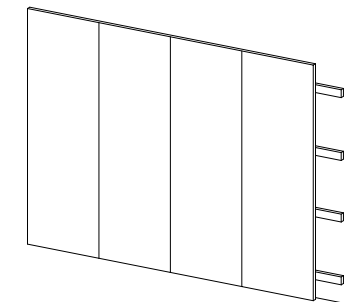
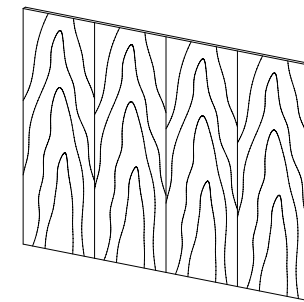
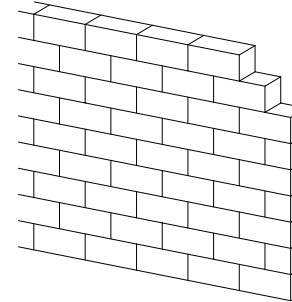
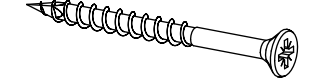
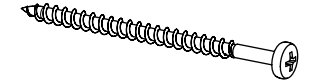
SK010

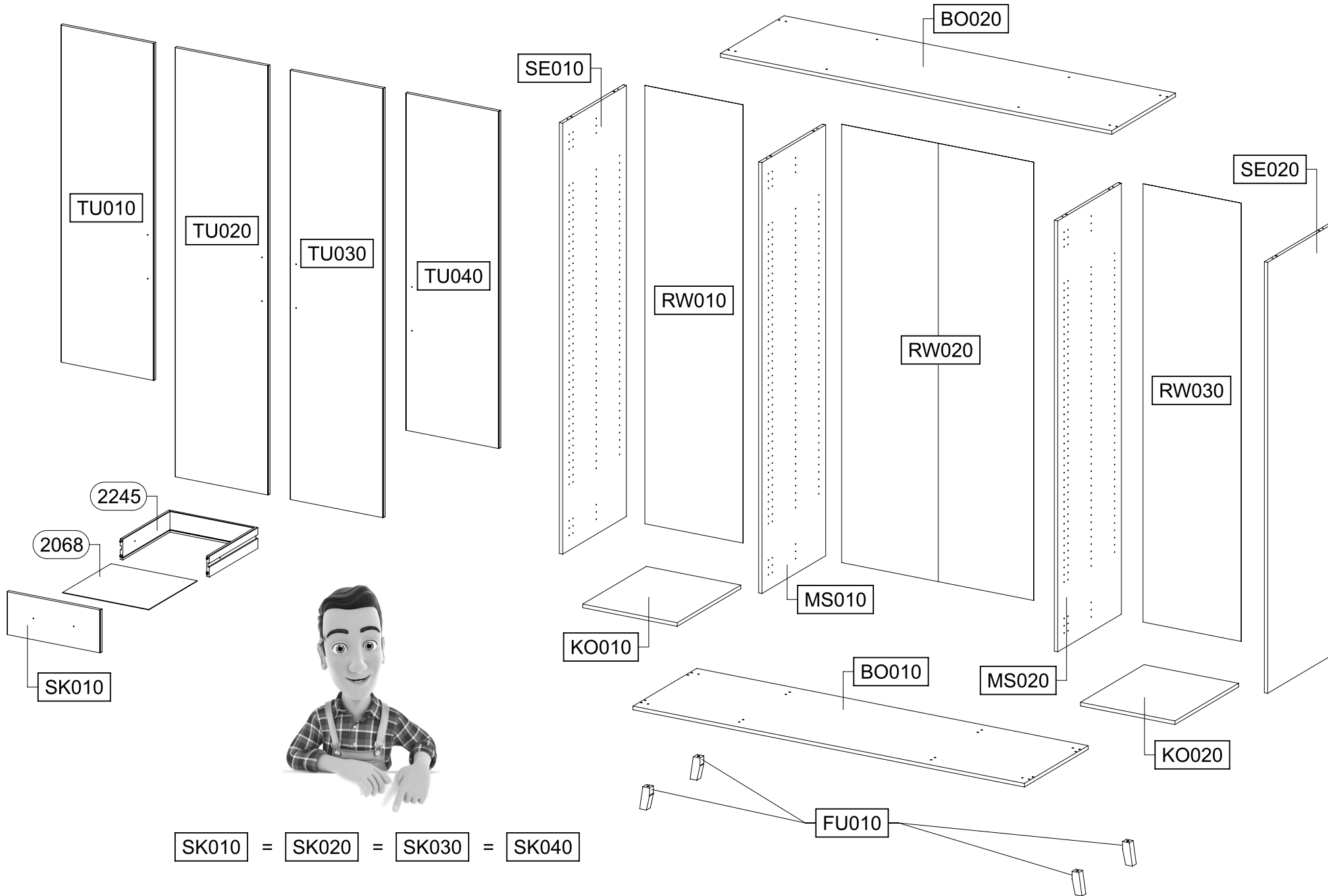
SK040

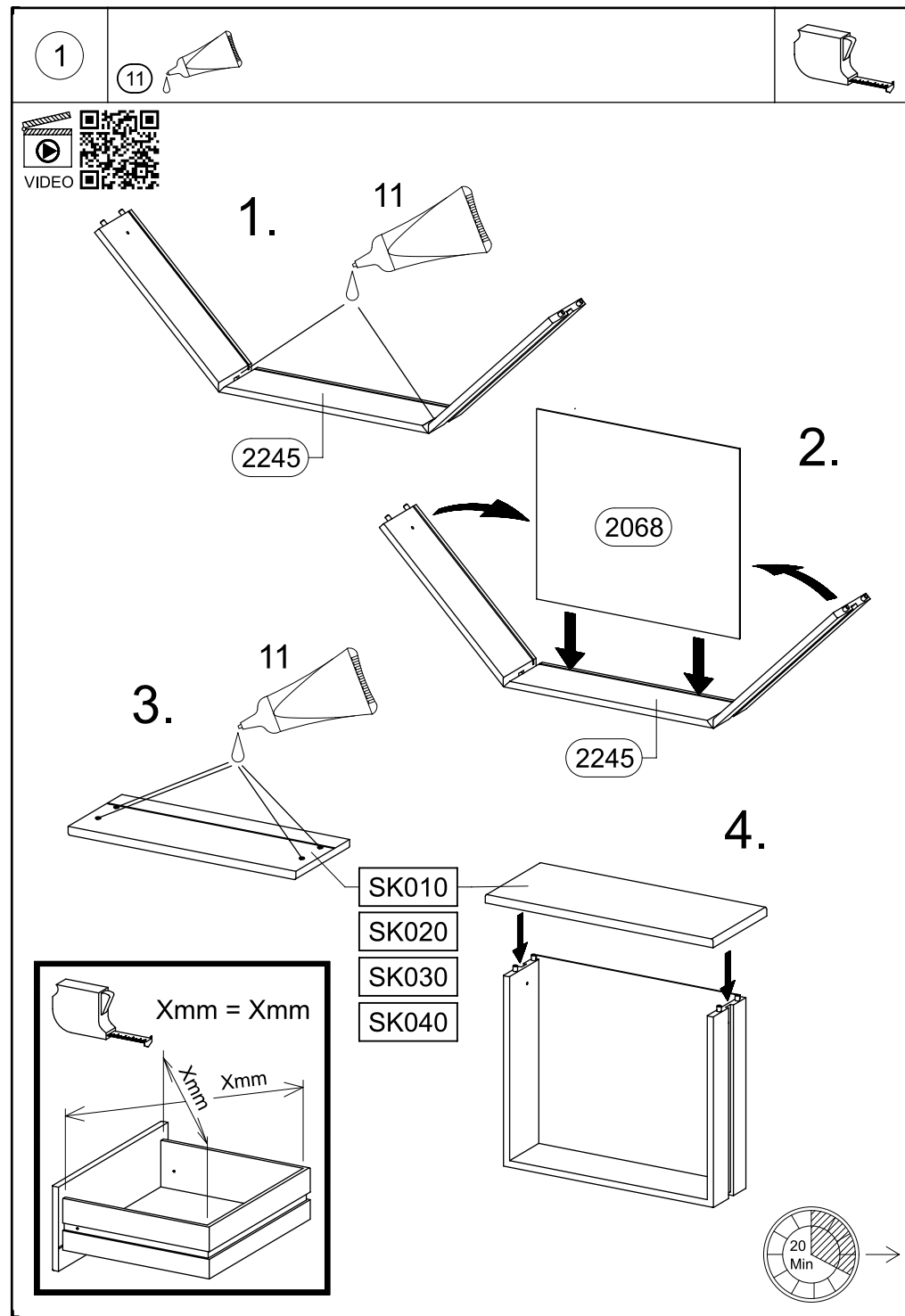
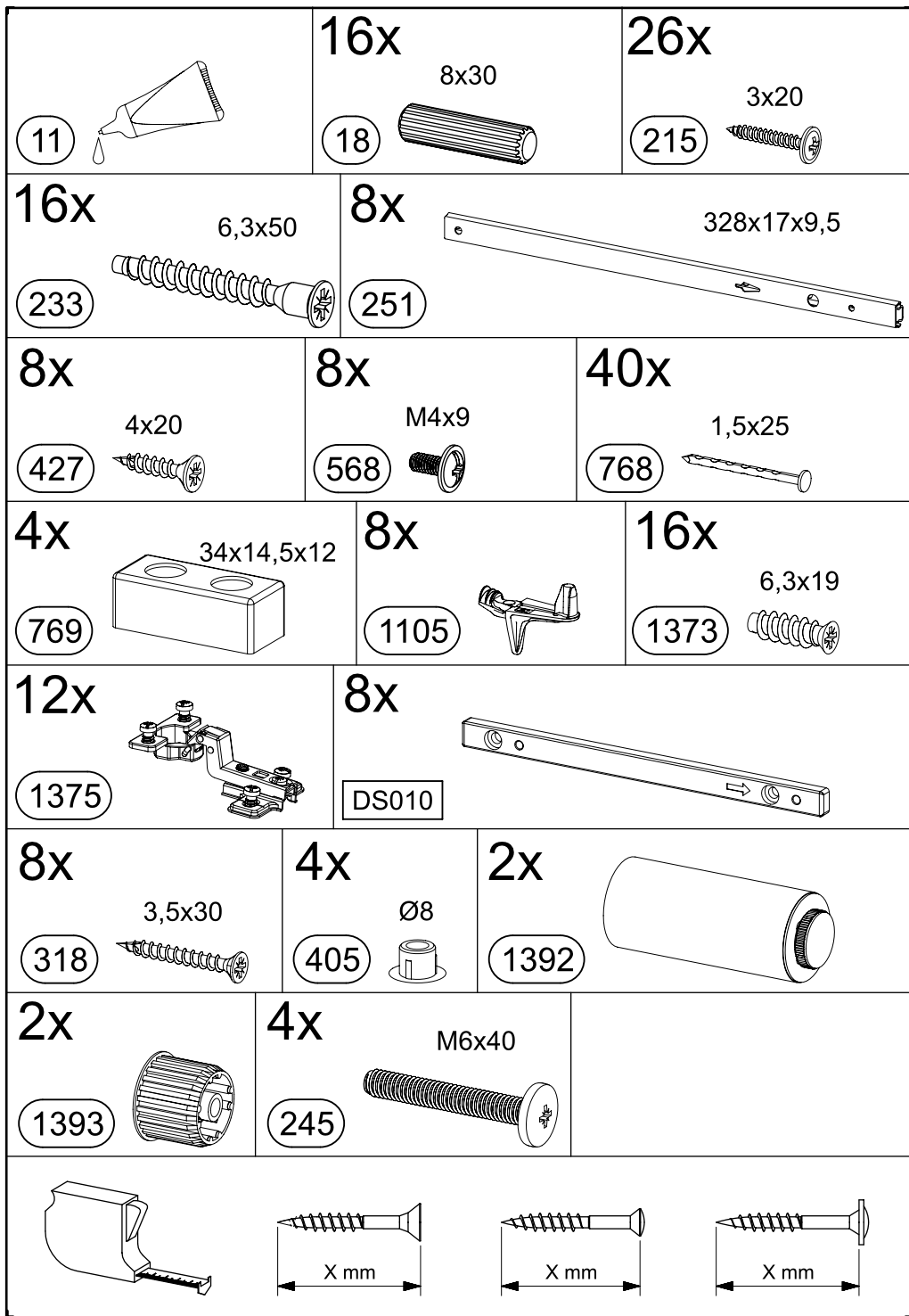
SK030

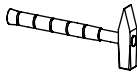


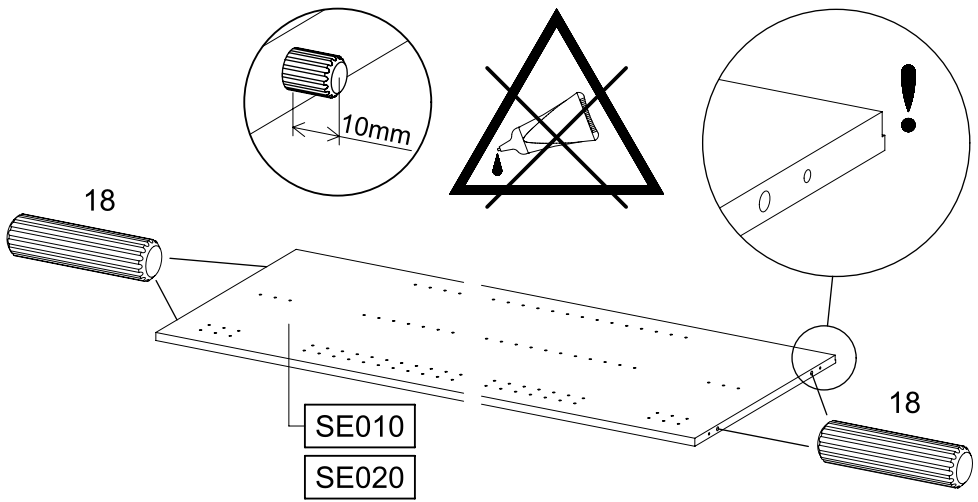
ØXmm



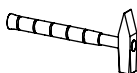


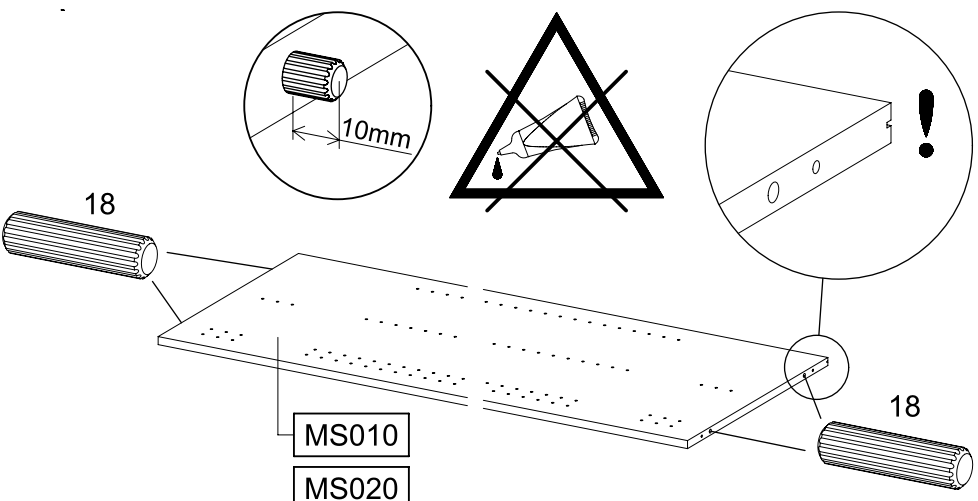


2 8x 18 8x30 





18 10mm SE010 SE020 18

3 8x 18 8x30 

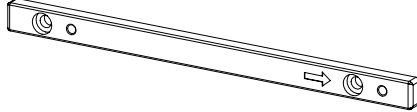


18 10mm MS010 MS020 18

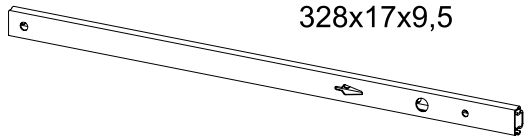




8x DS010 328x17x9,5


8x 251

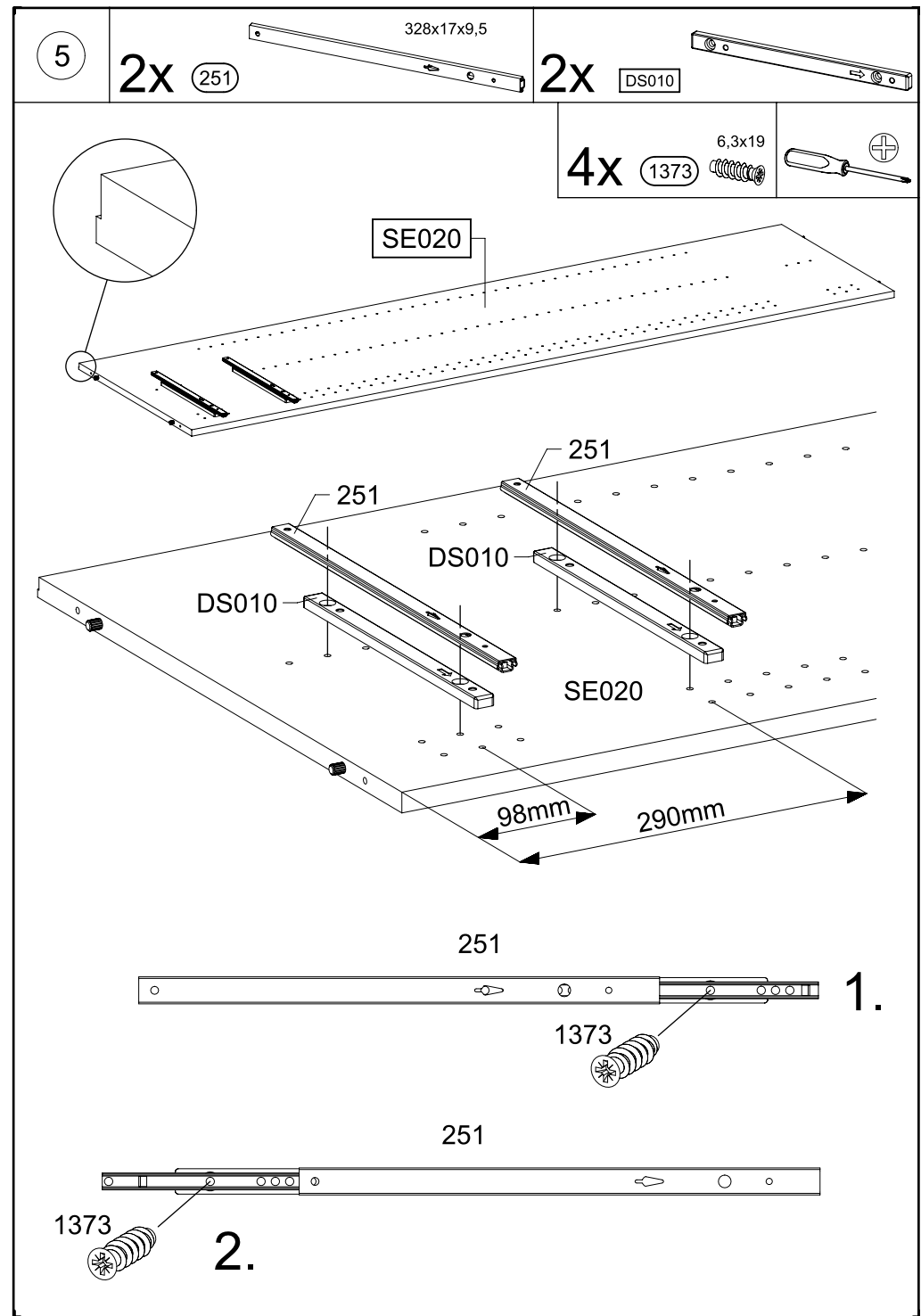
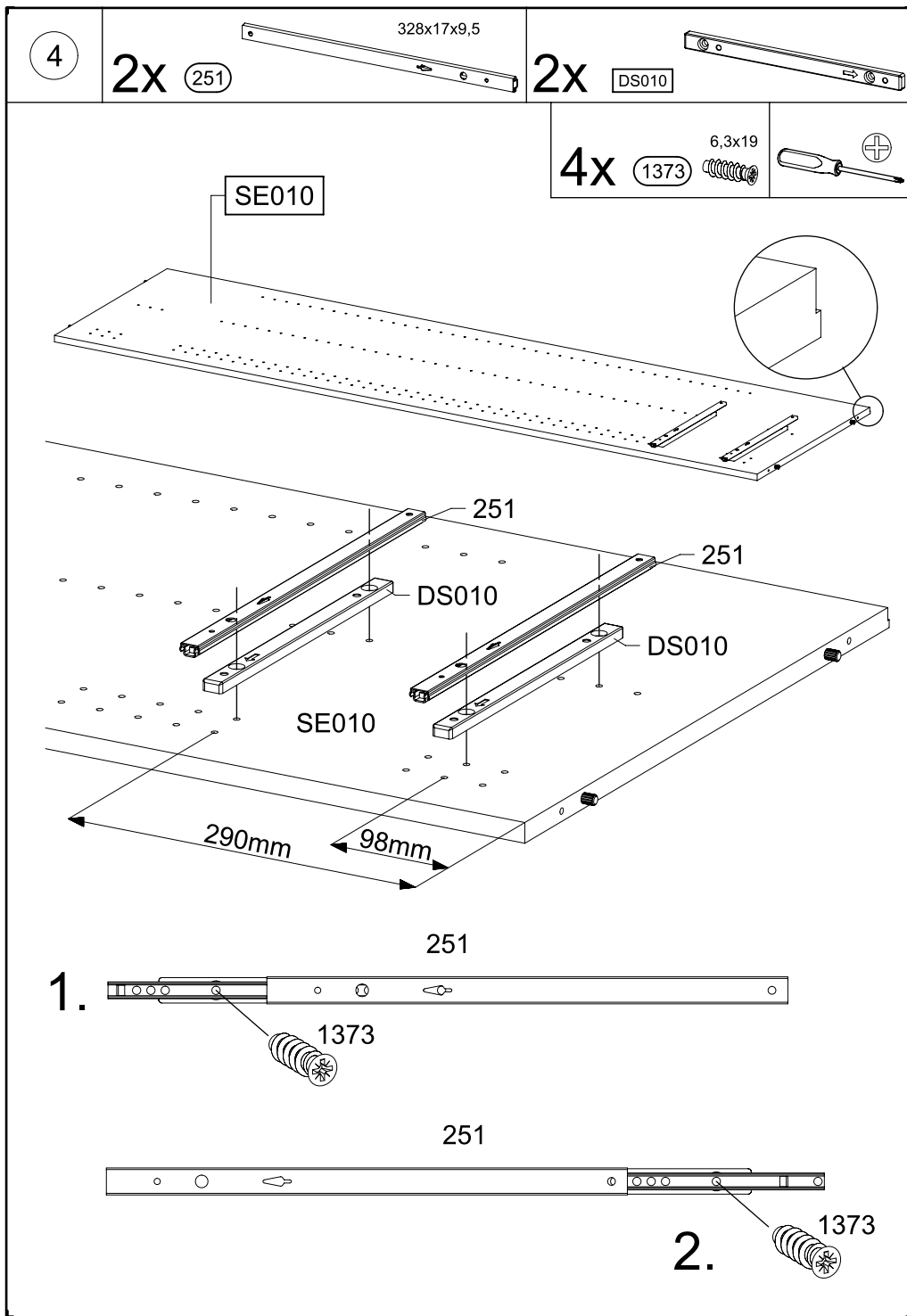
4 2x 251 2x DS010 4x 1373 6,3x19 

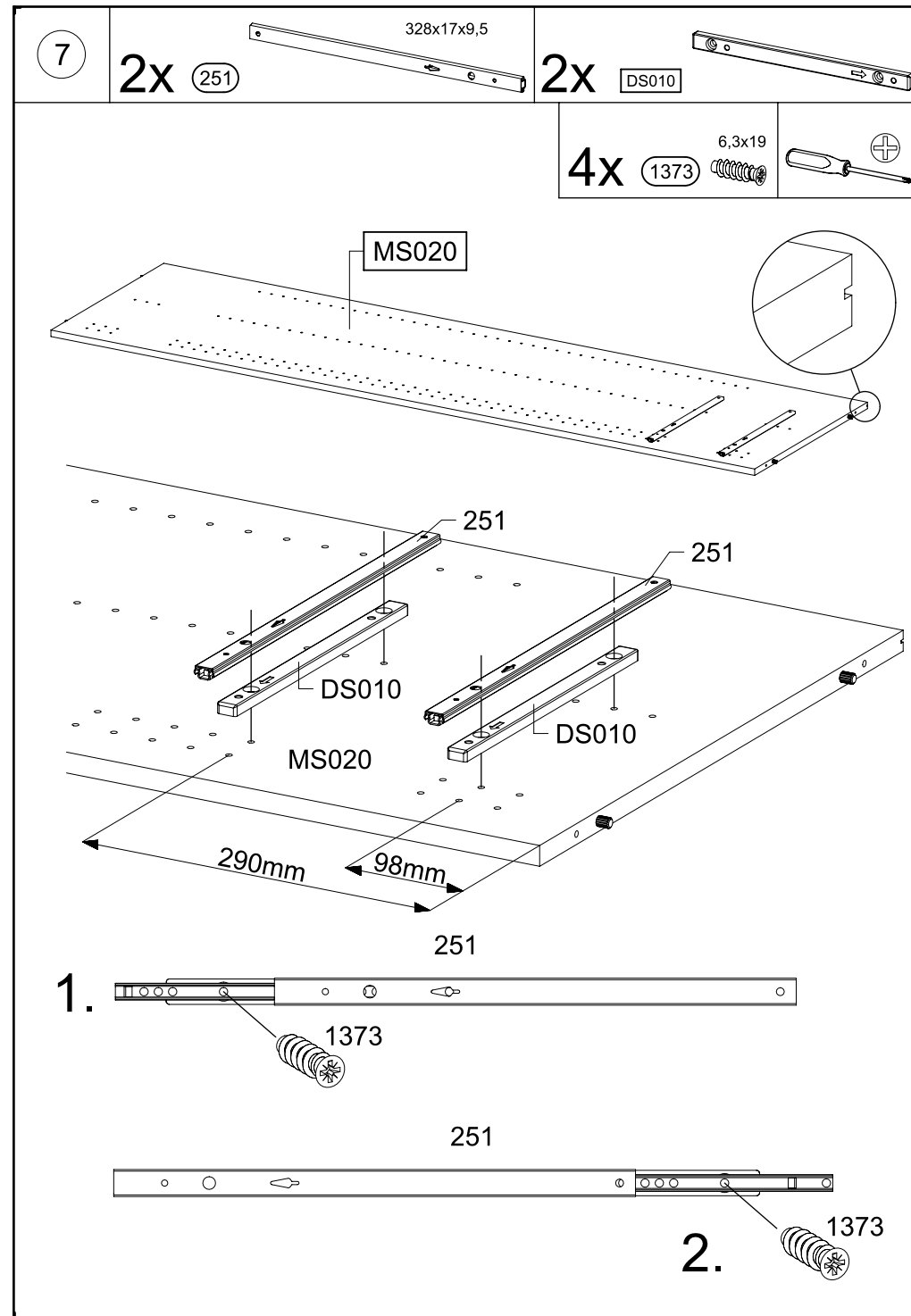
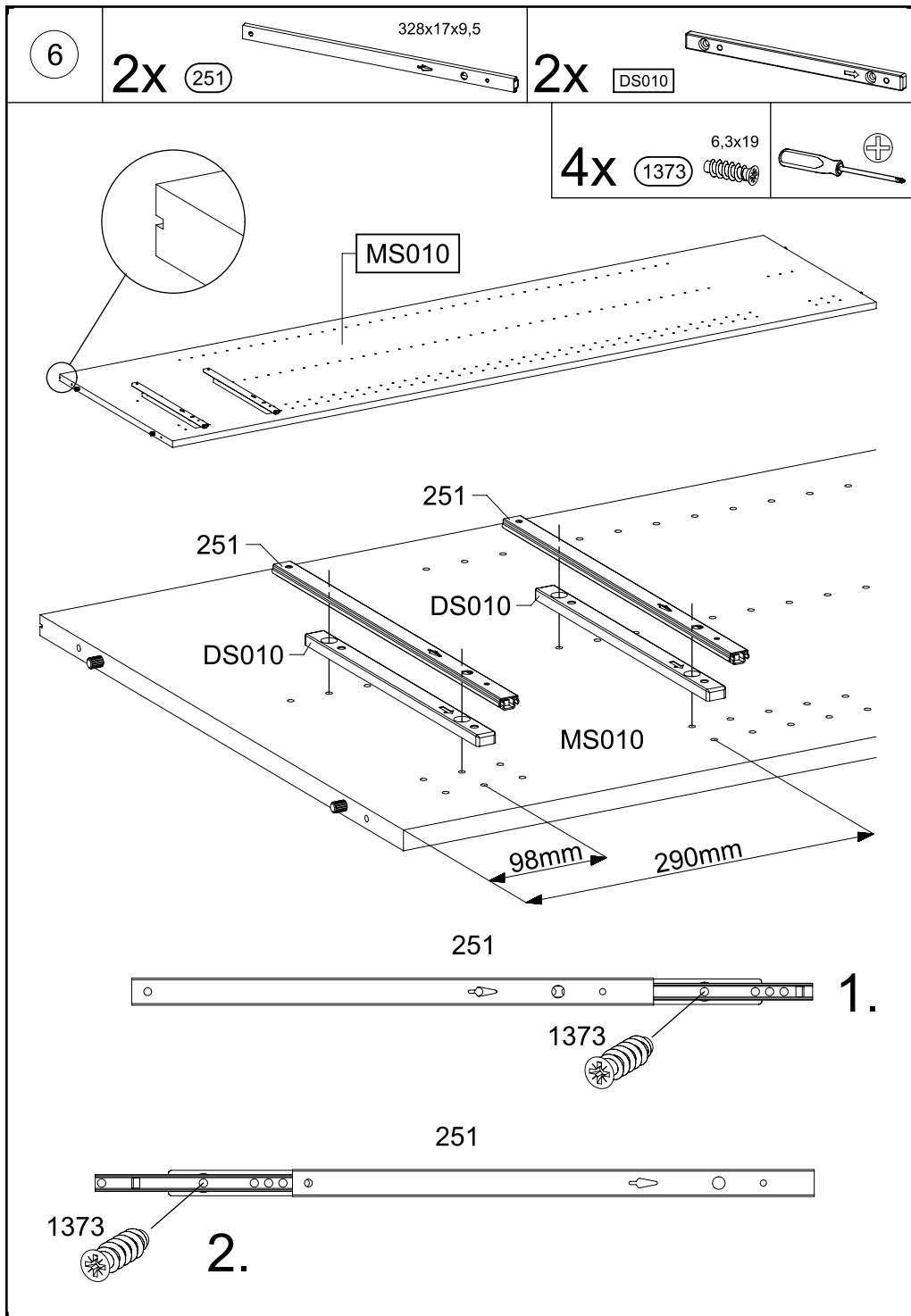
SE010

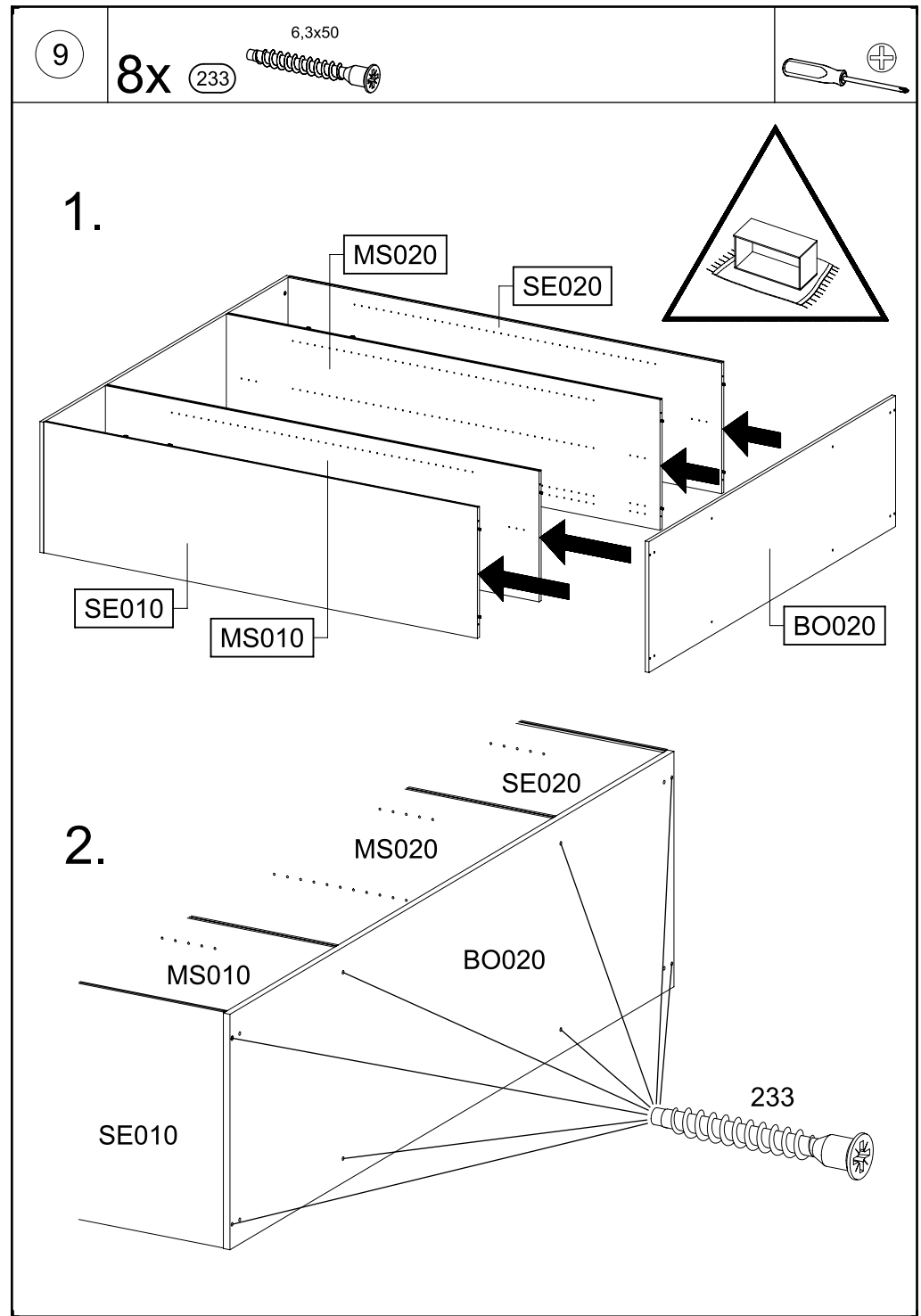
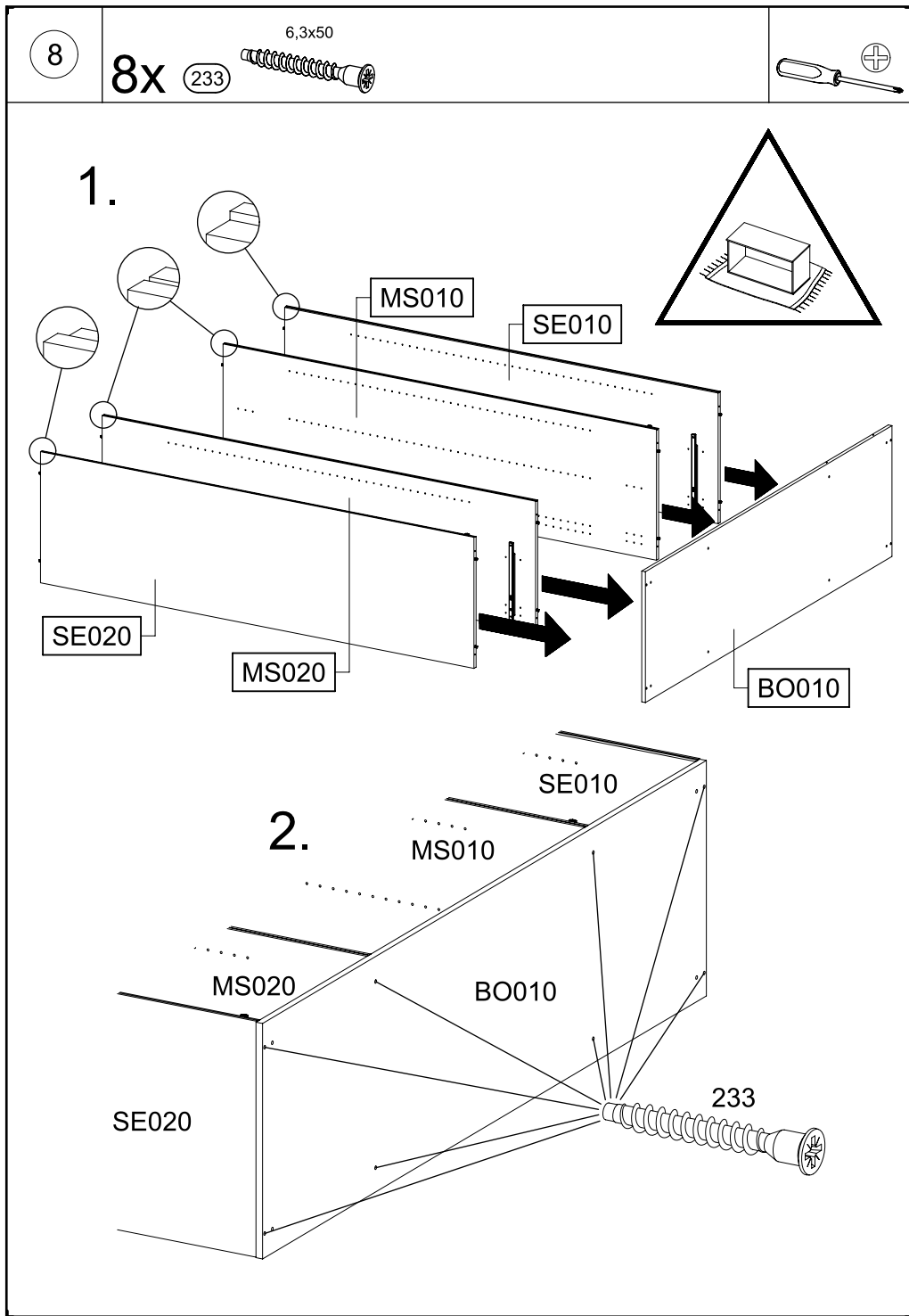
5 2x 251 2x DS010 4x 1373 6,3x19 

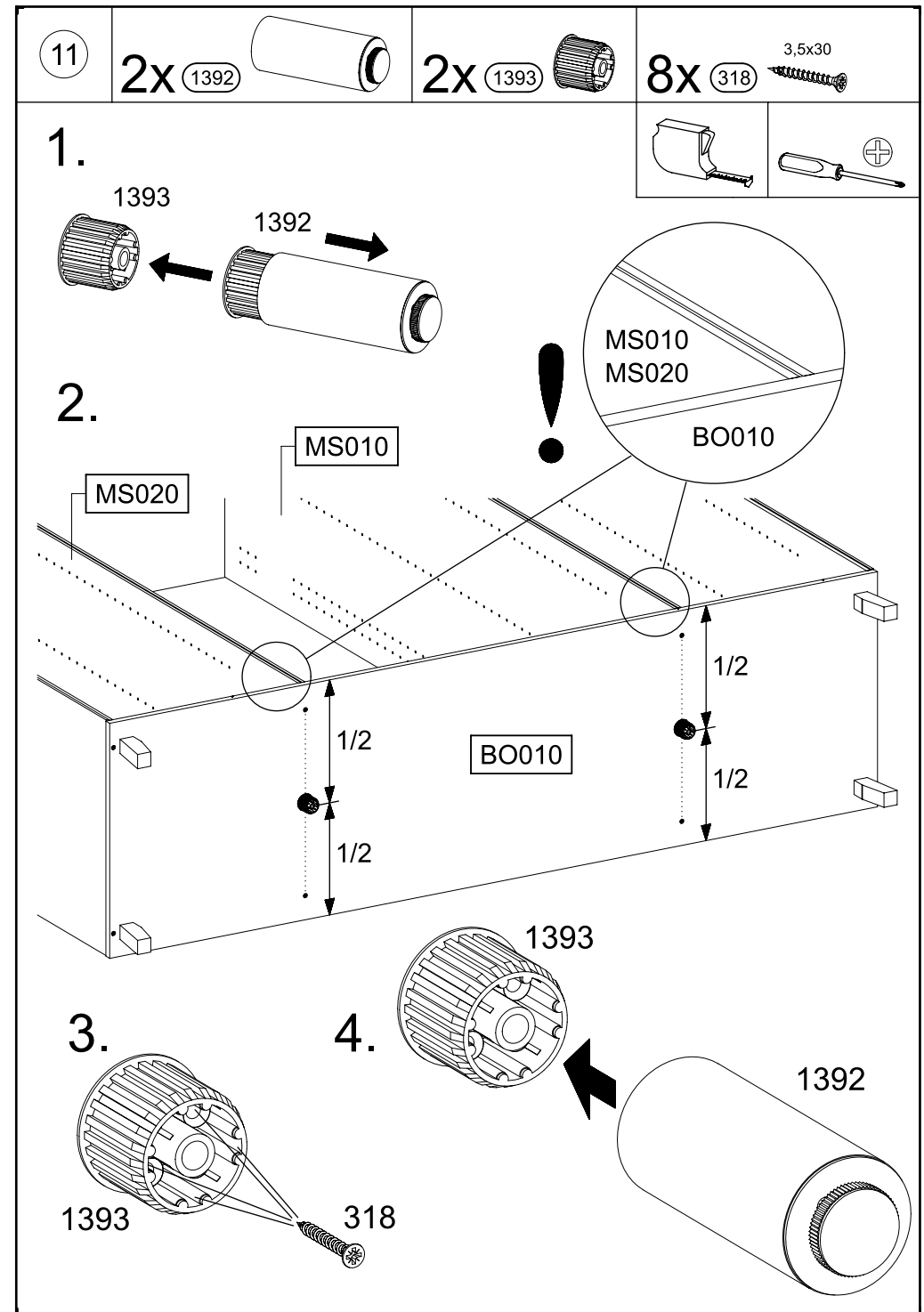
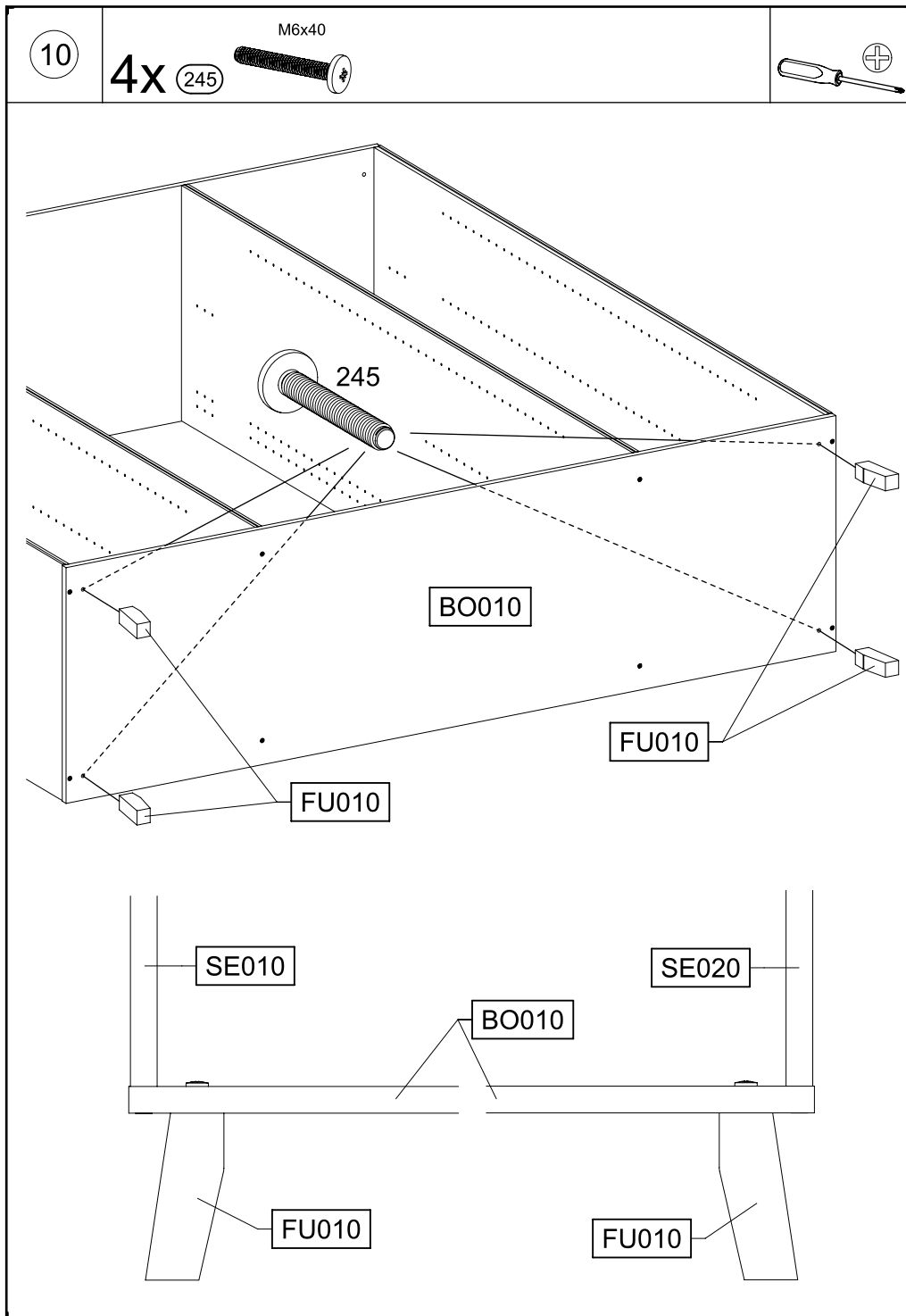
6 2x 251 2x DS010 4x 1373 6,3x19 

7 2x 251 2x DS010 4x 1373 6,3x19 







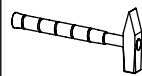
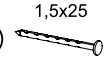


12

10x

768

1,5x25

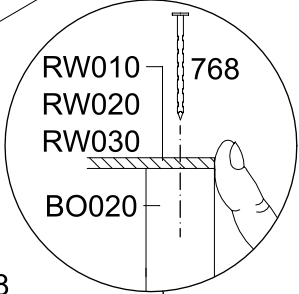
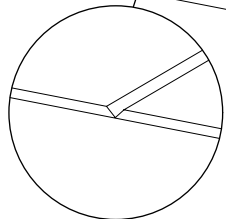
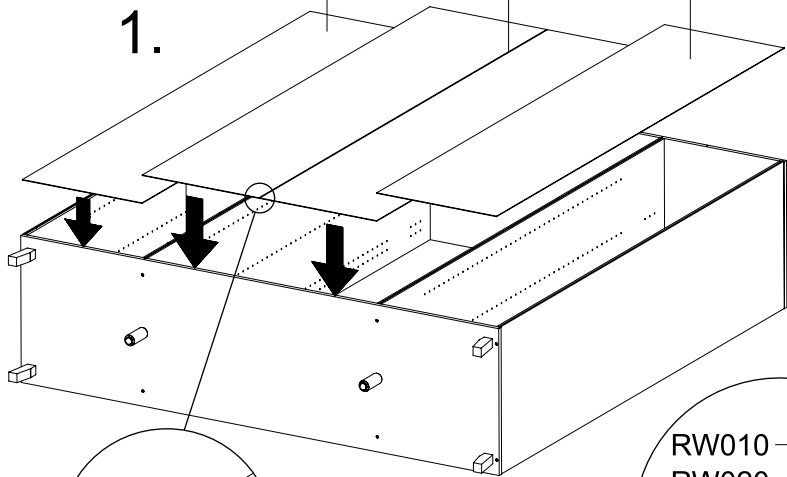


1.

RW030

RW020

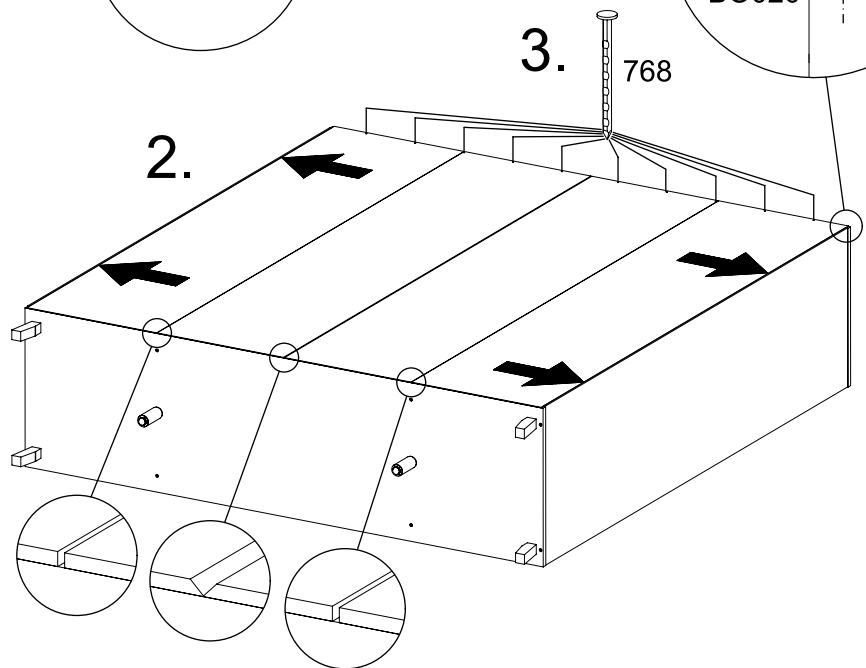
RW010



3.

768

2.

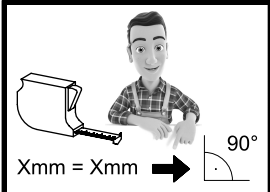
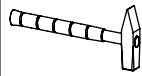
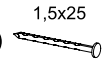


13

10x

768

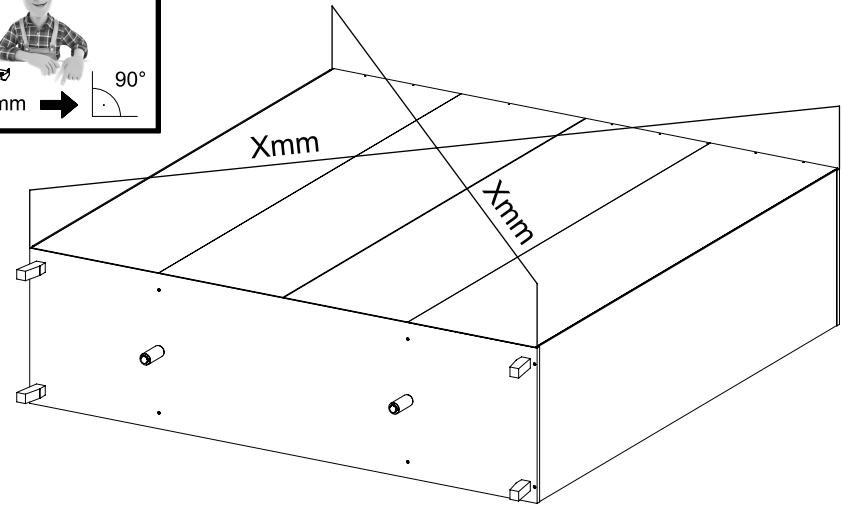
1,5x25



1.

Xmm

Xmm

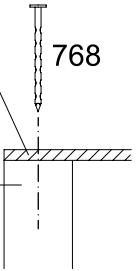


2.

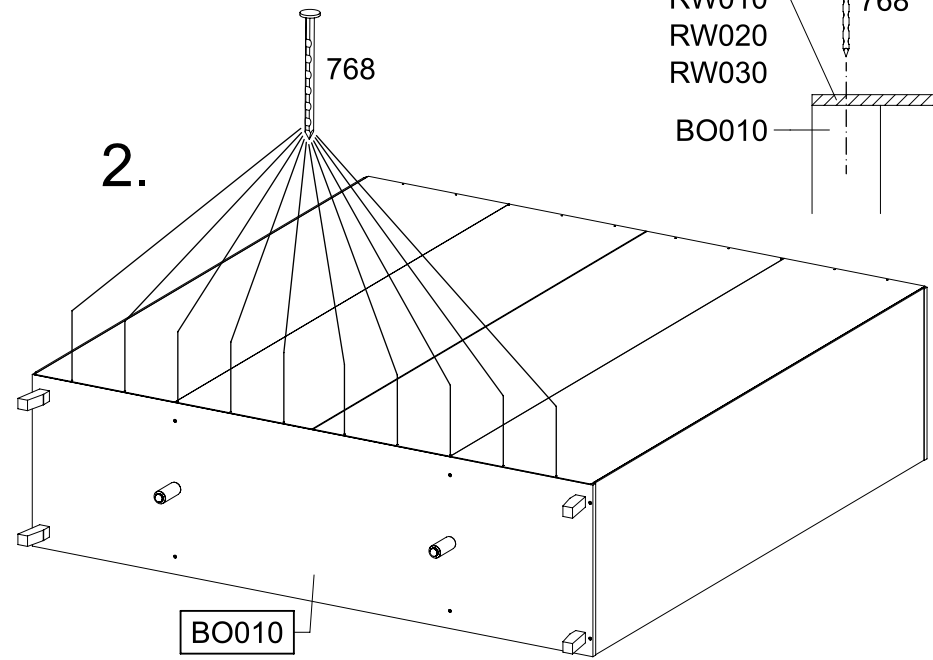
768

RW010
RW020
RW030

BO010

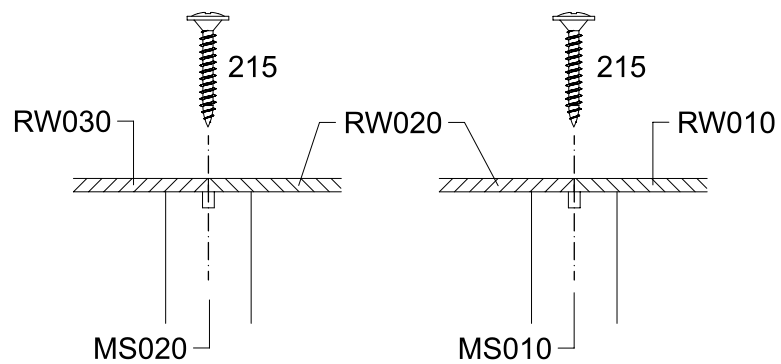
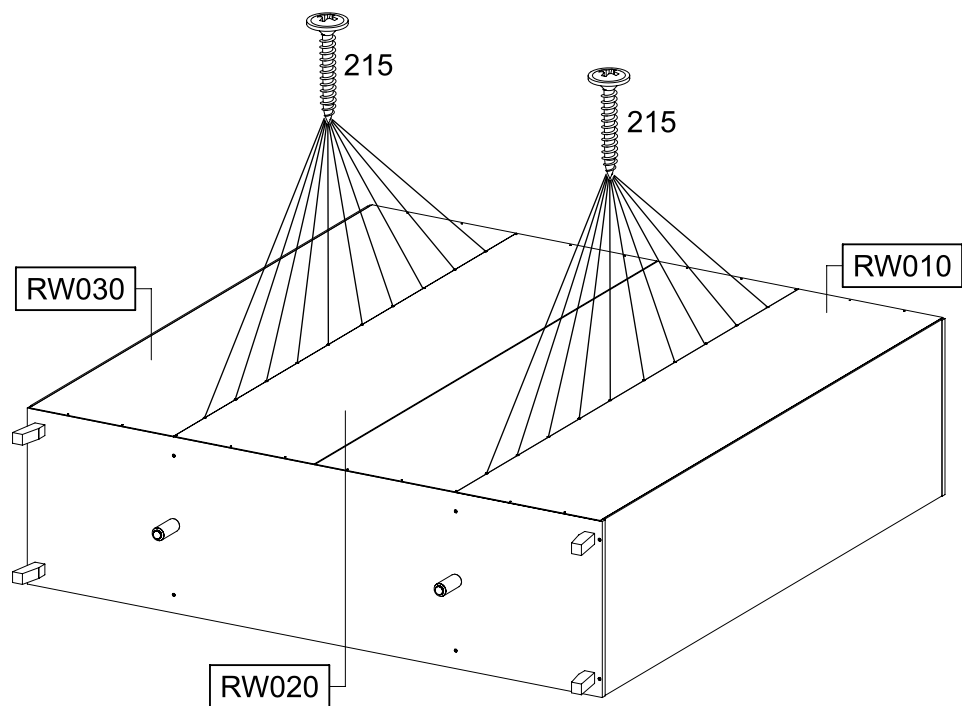
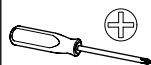


BO010



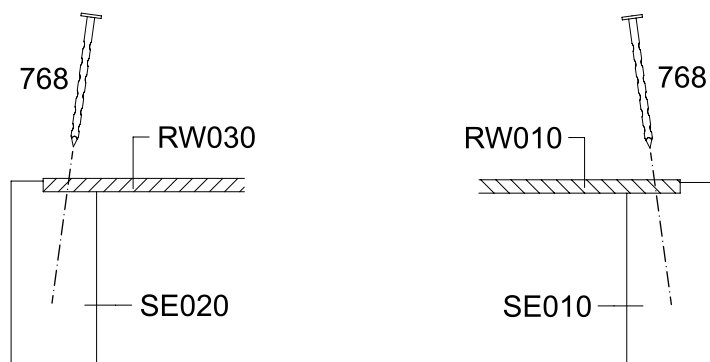
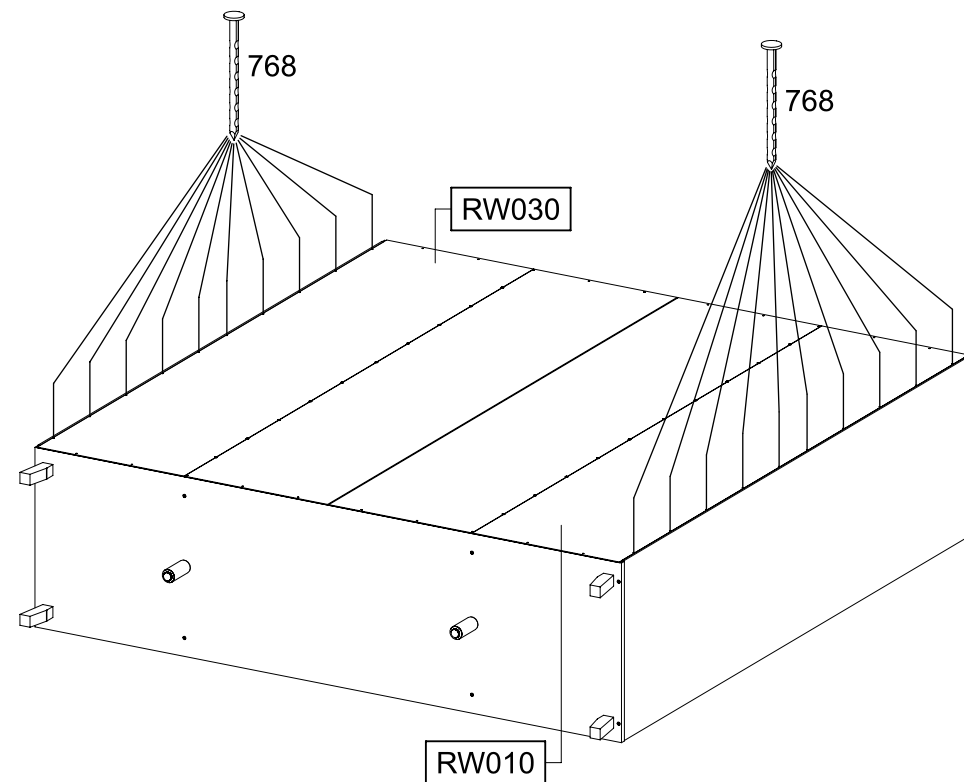
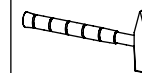
14

20x 215 3x20



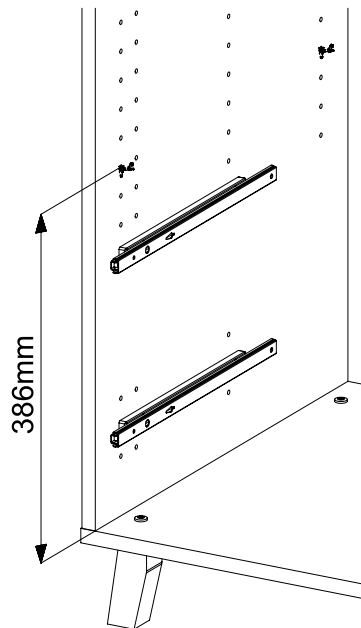
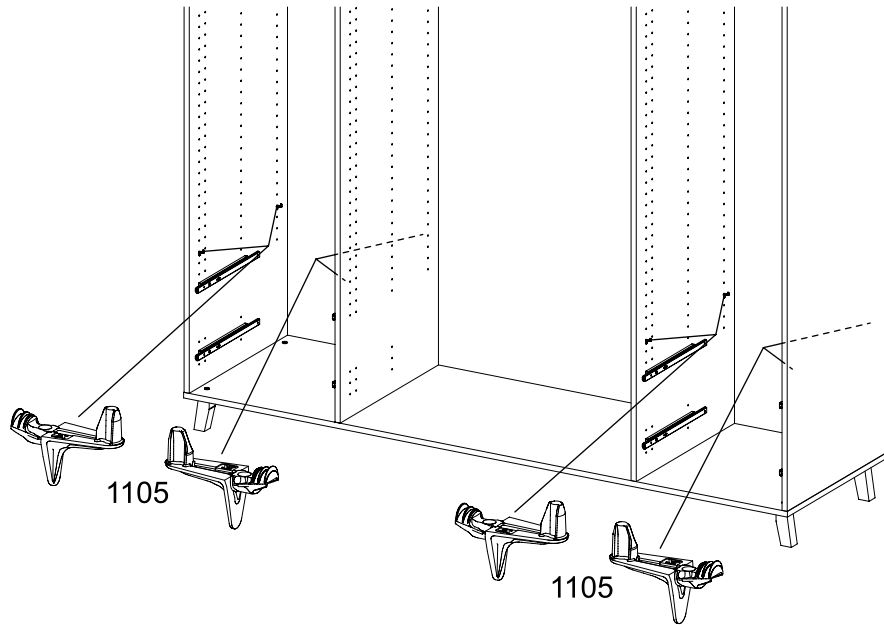
15

20x 768 1,5x25

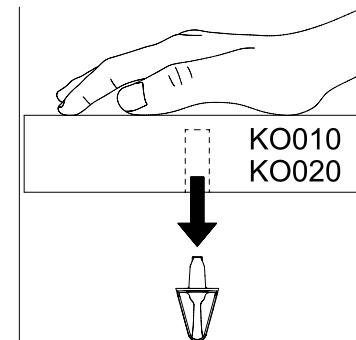
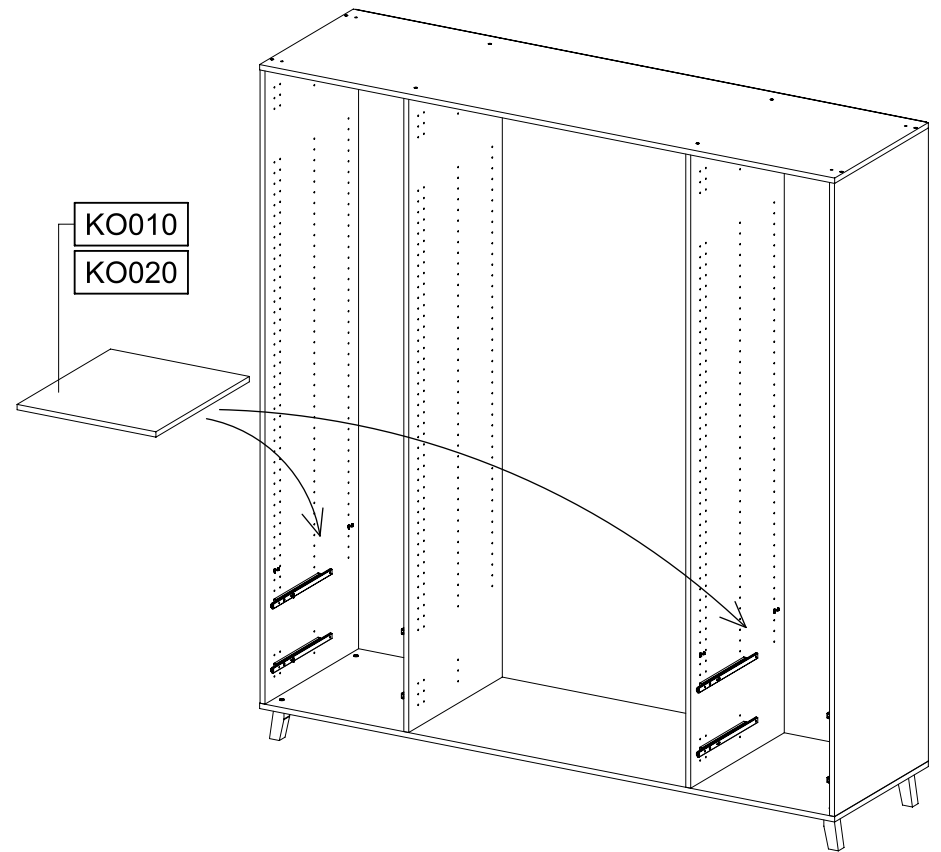


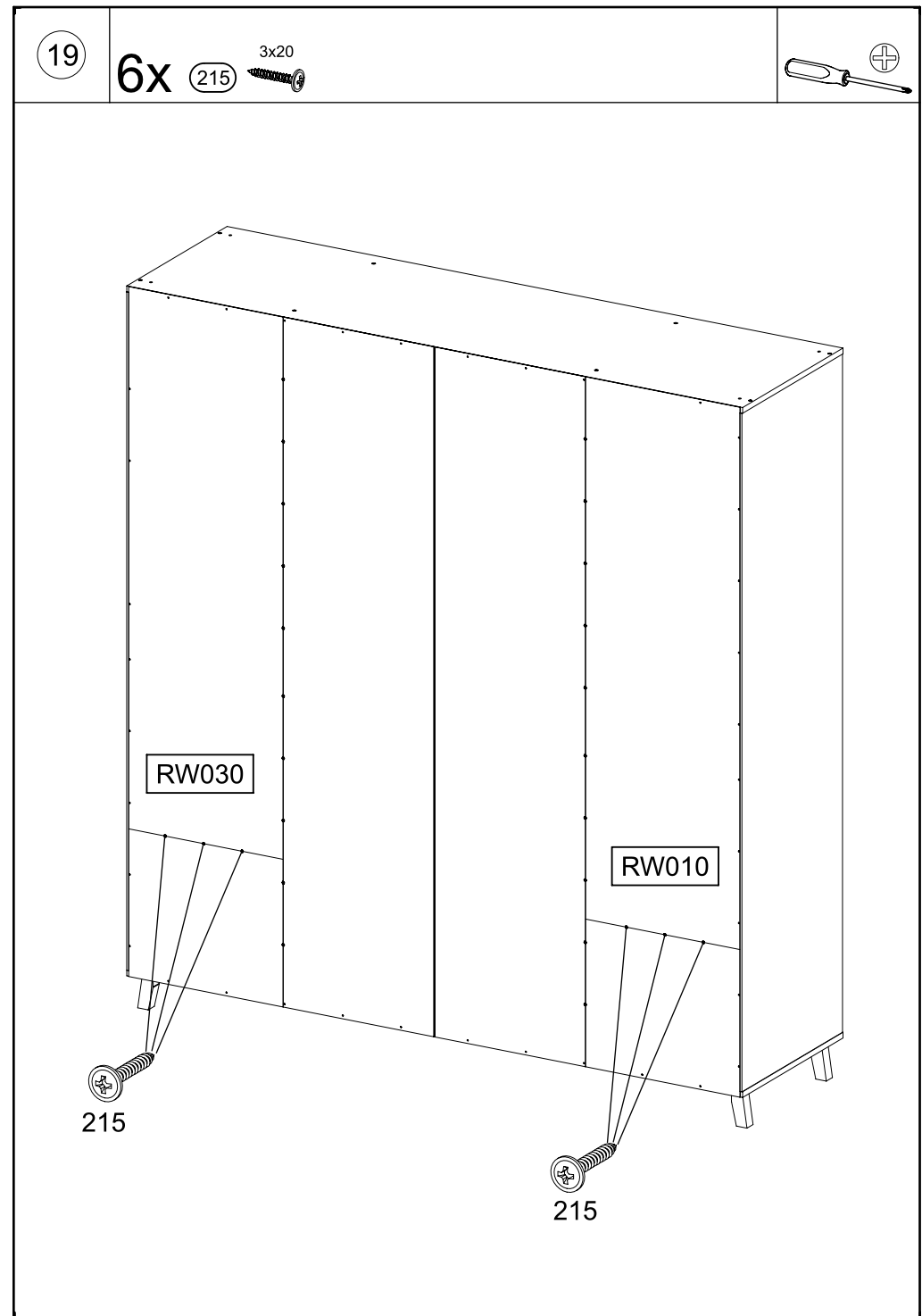
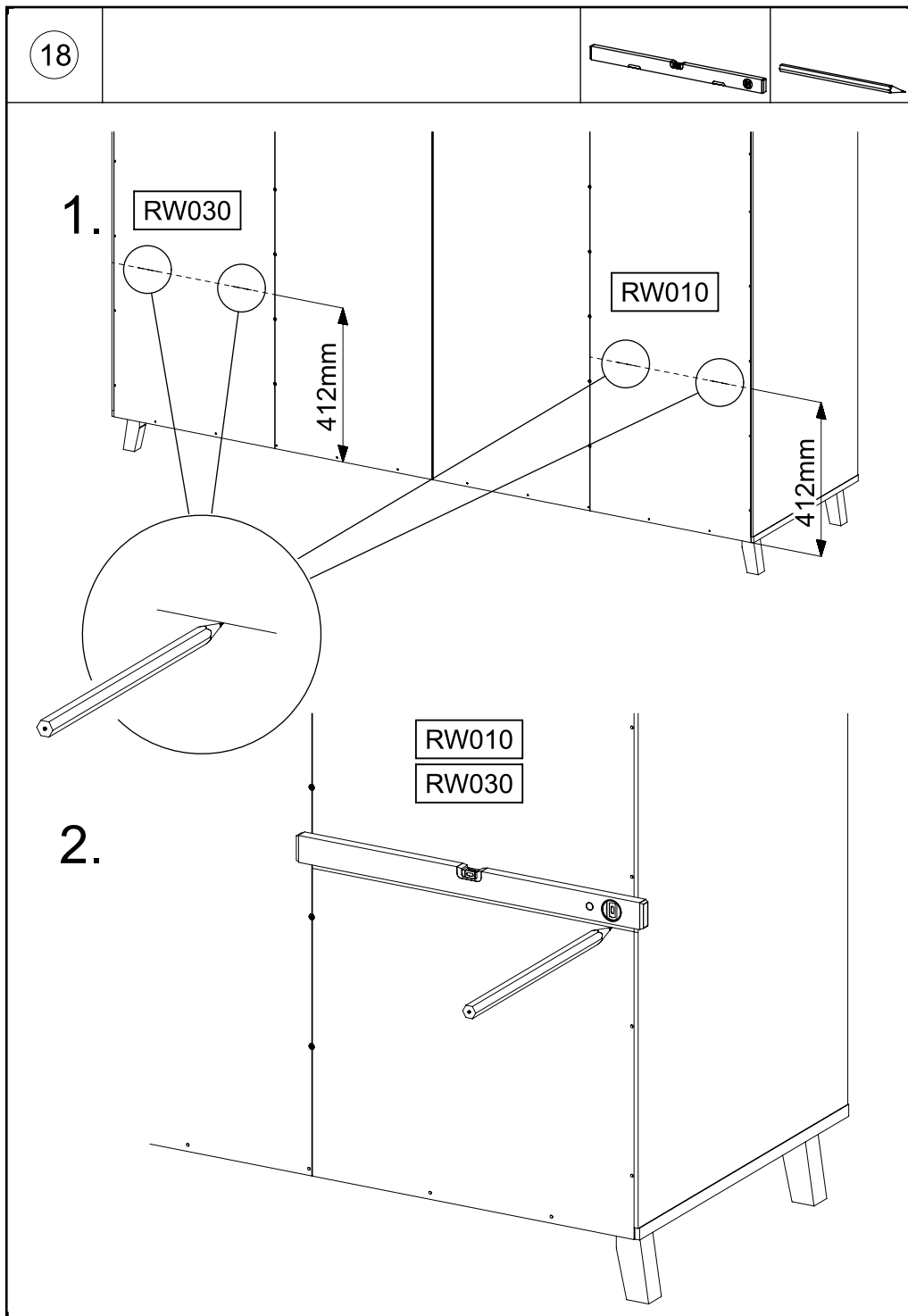
16

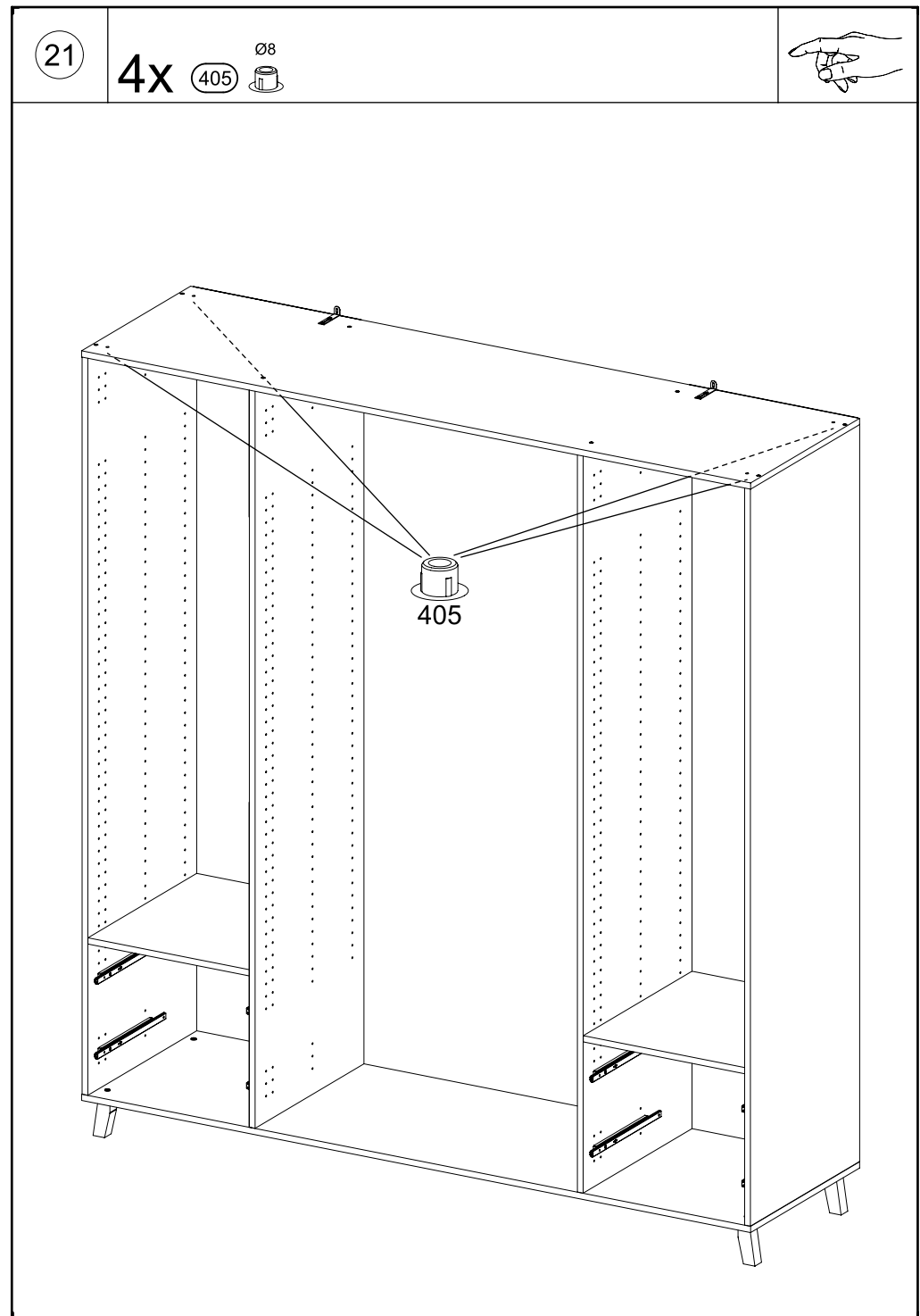
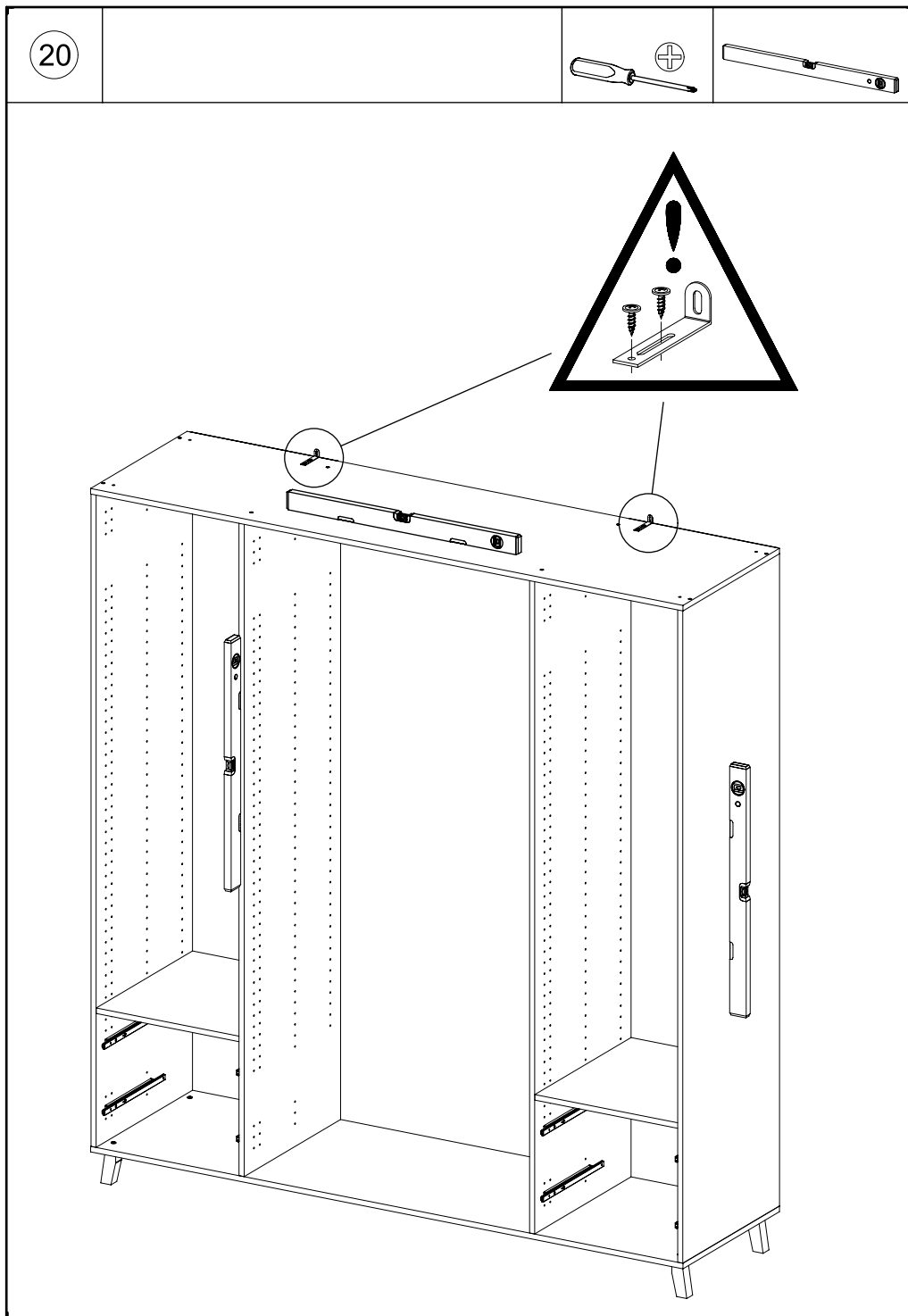
8x 1105

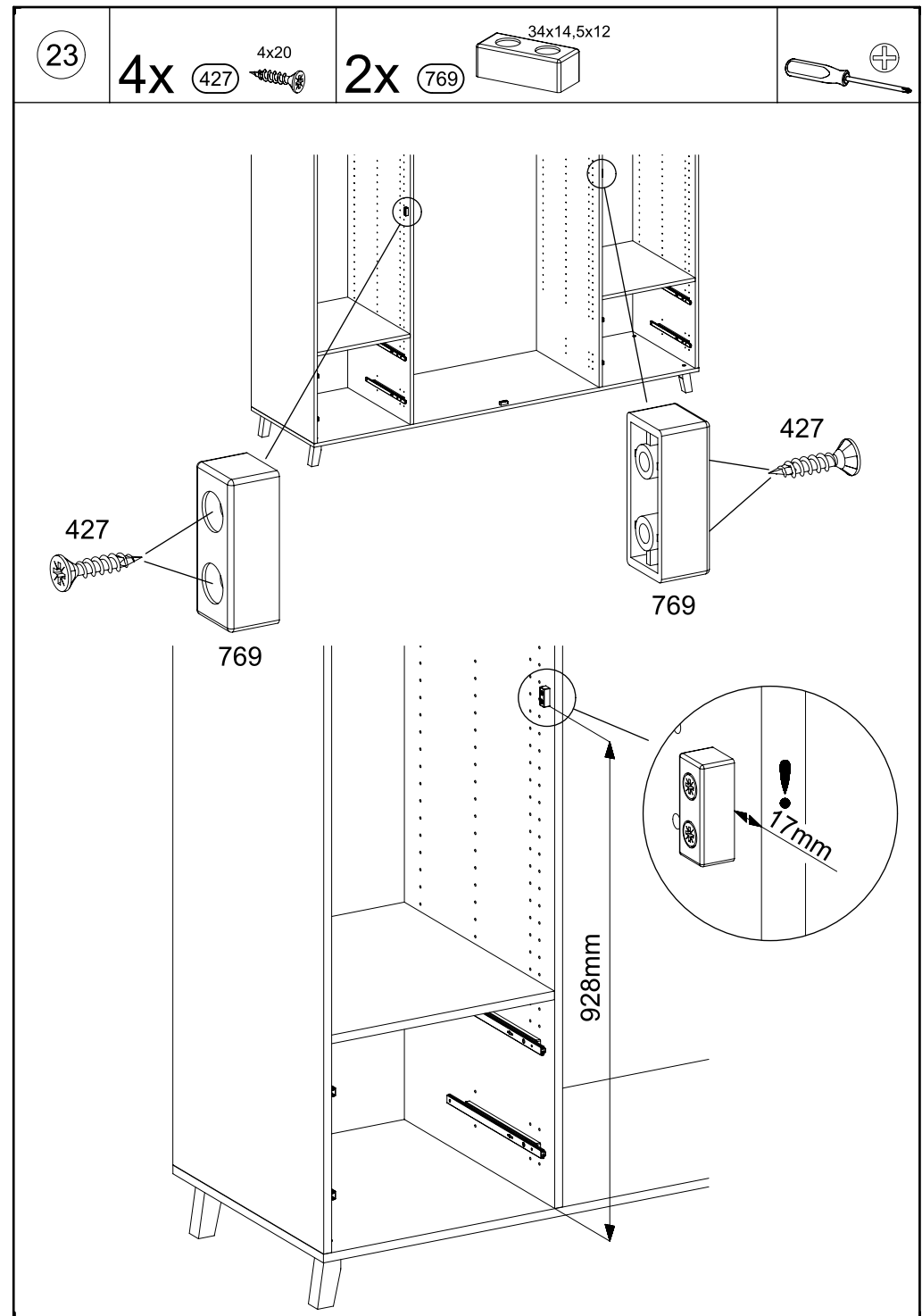
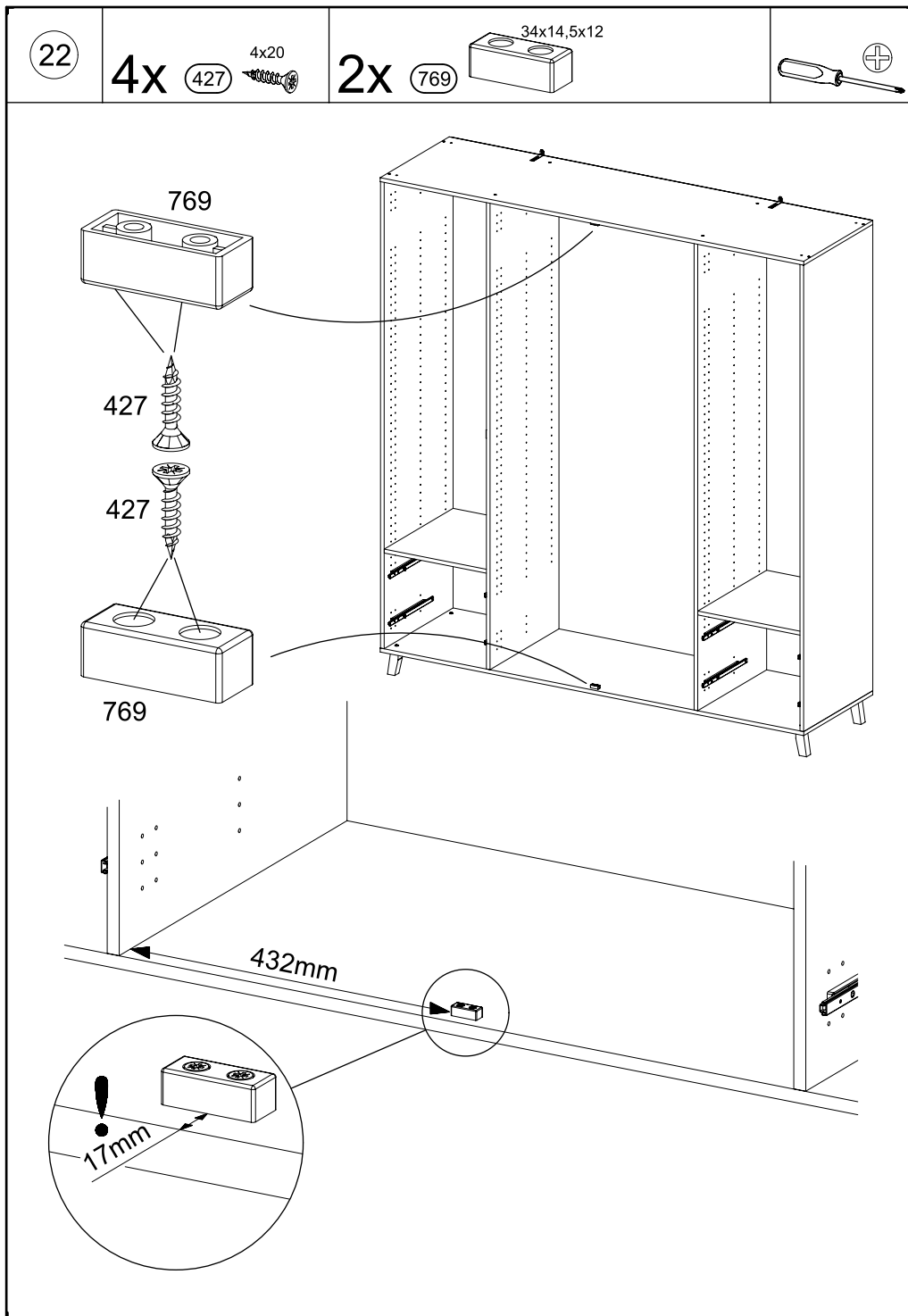


17



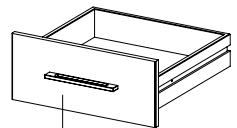
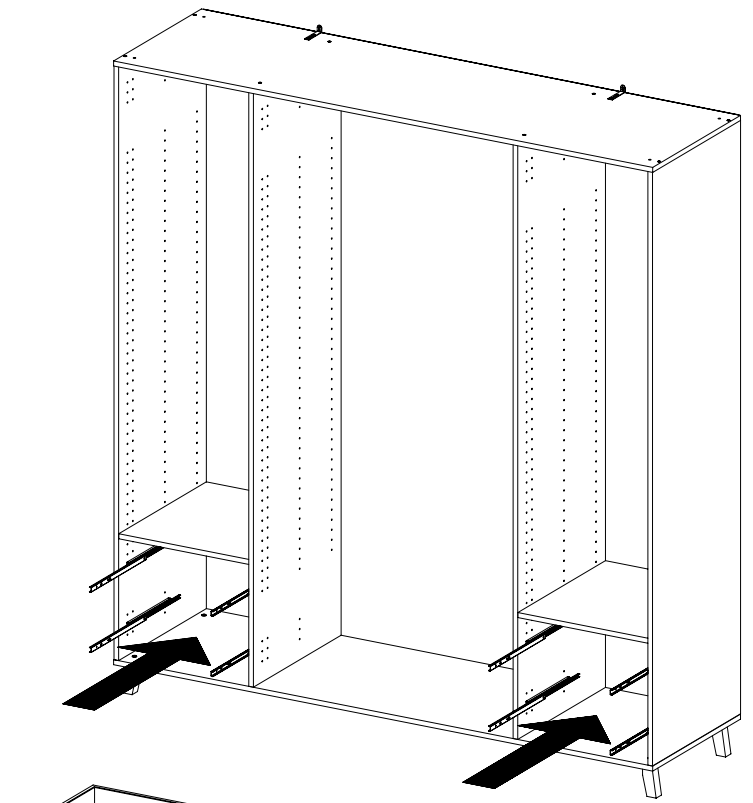
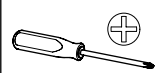




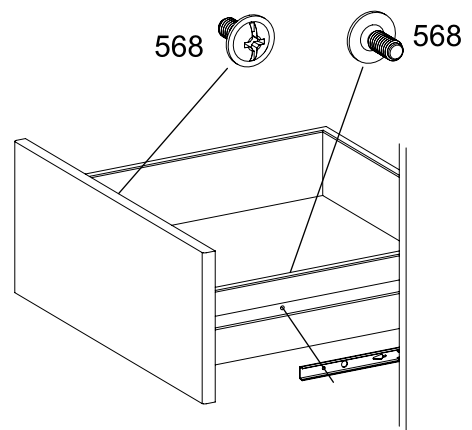


24

8x 568 M4x9

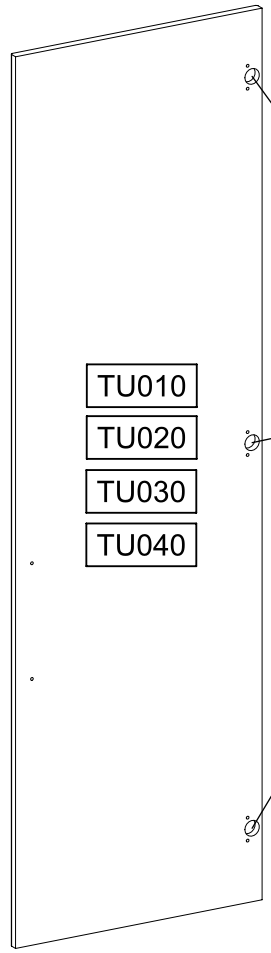
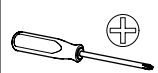
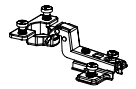


- SK010
- SK020
- SK030
- SK040



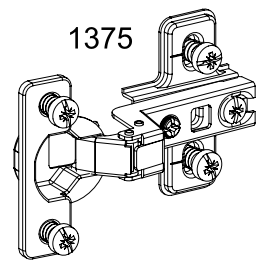
25

12x 1375

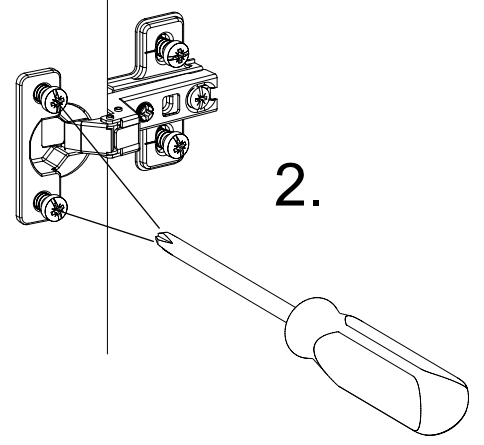


1.

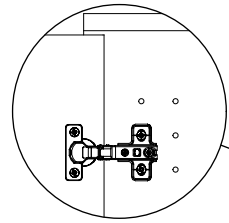
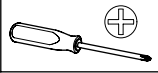
1375



2.

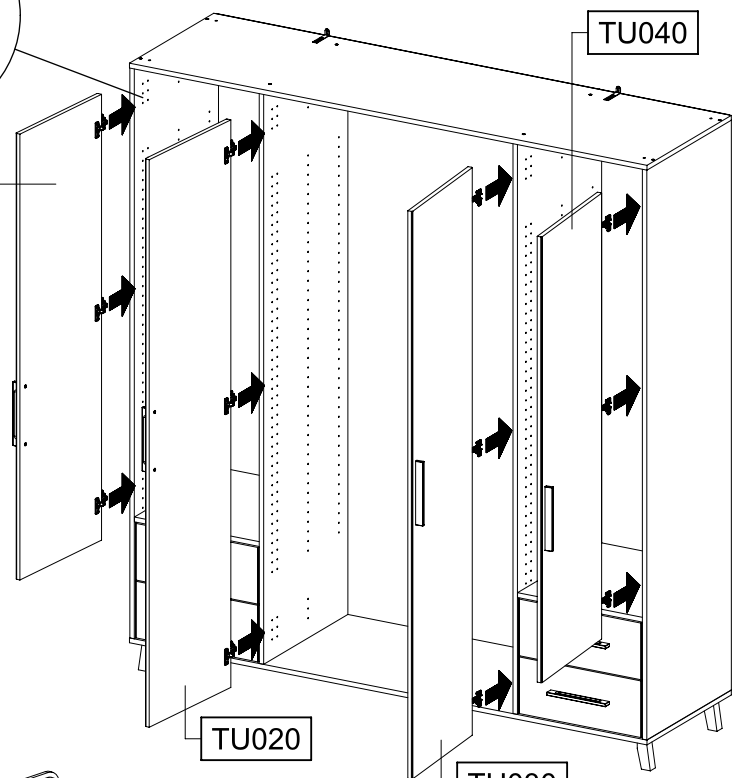


26

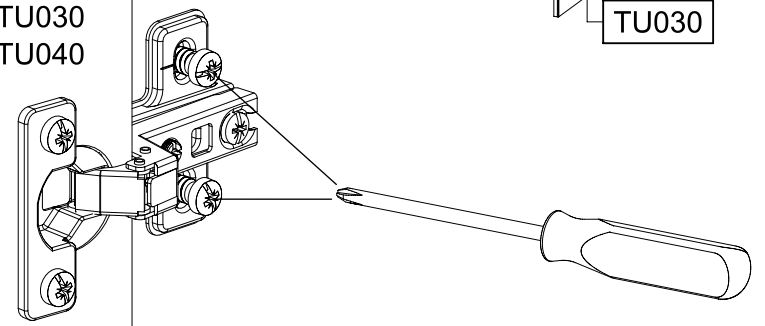


TU010

TU040



TU010
TU020
TU030
TU040



27

