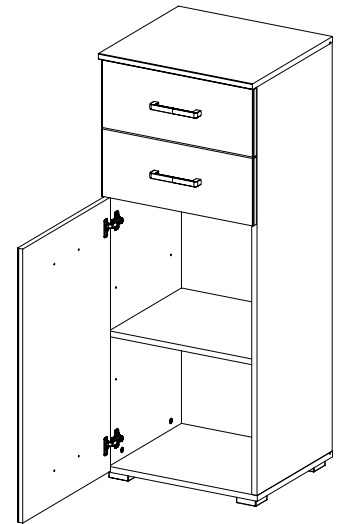
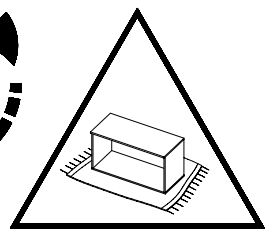
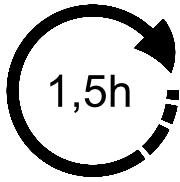
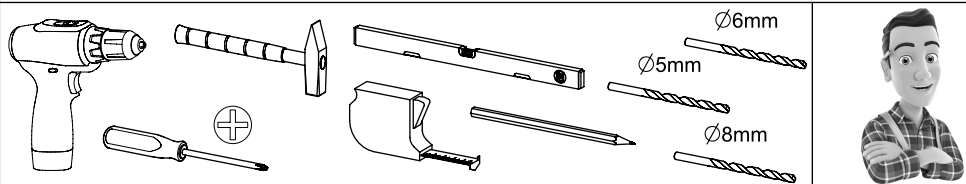
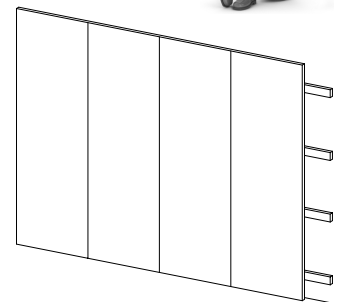
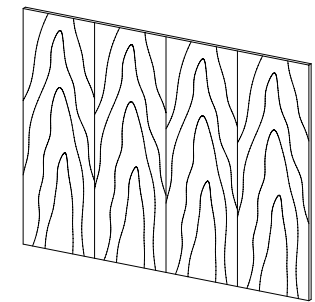
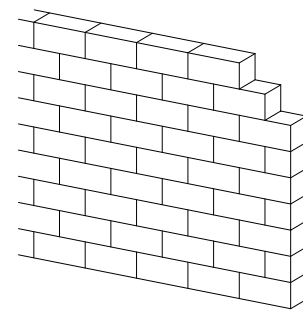
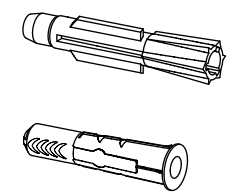
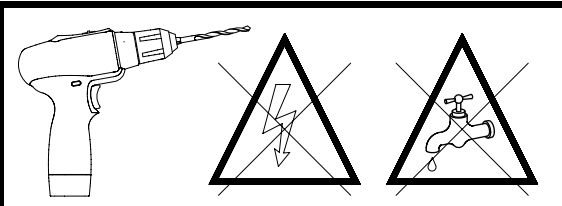
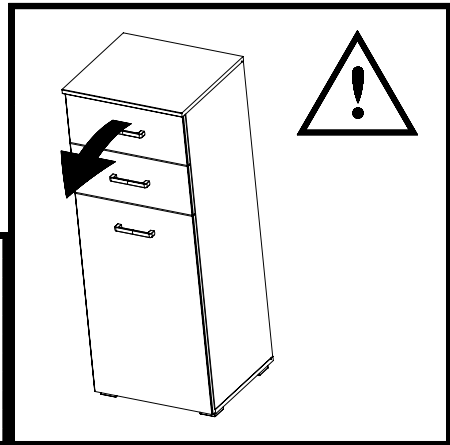
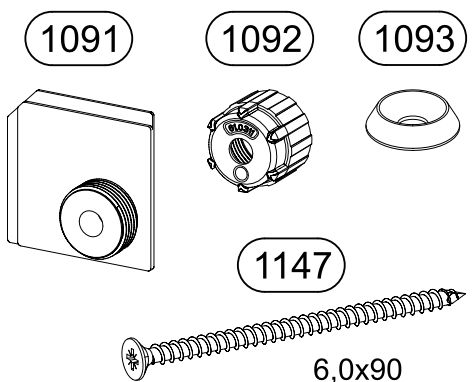
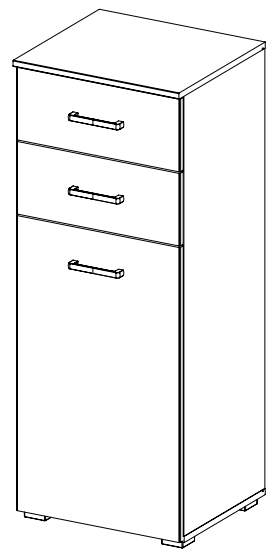
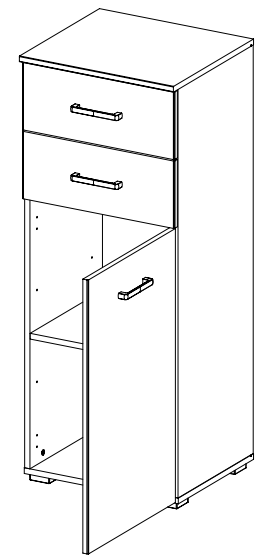
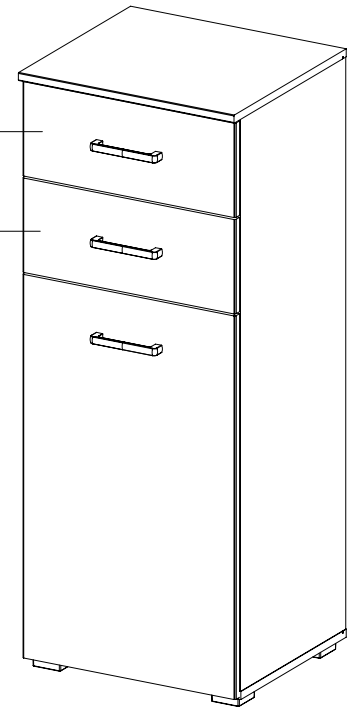


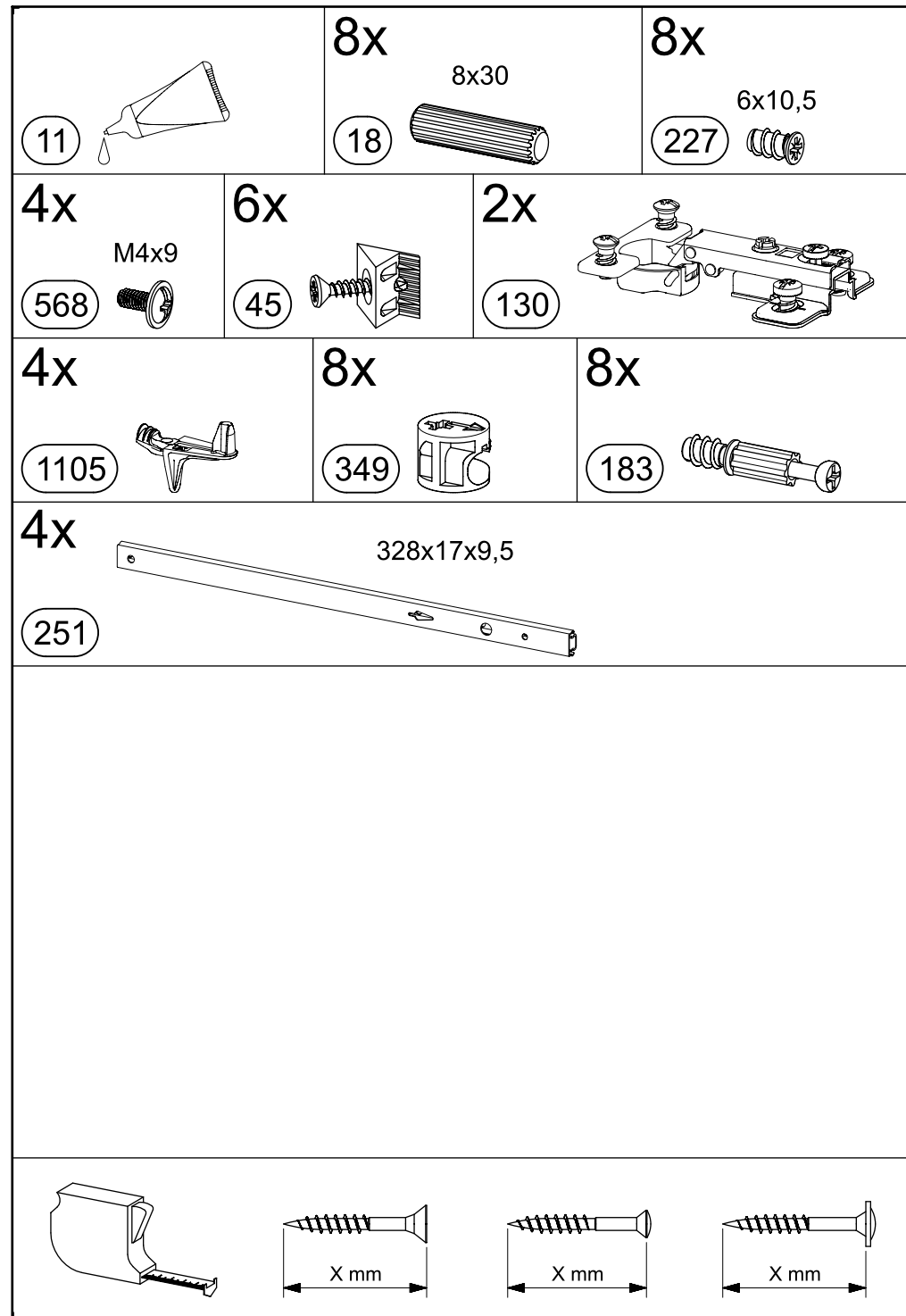
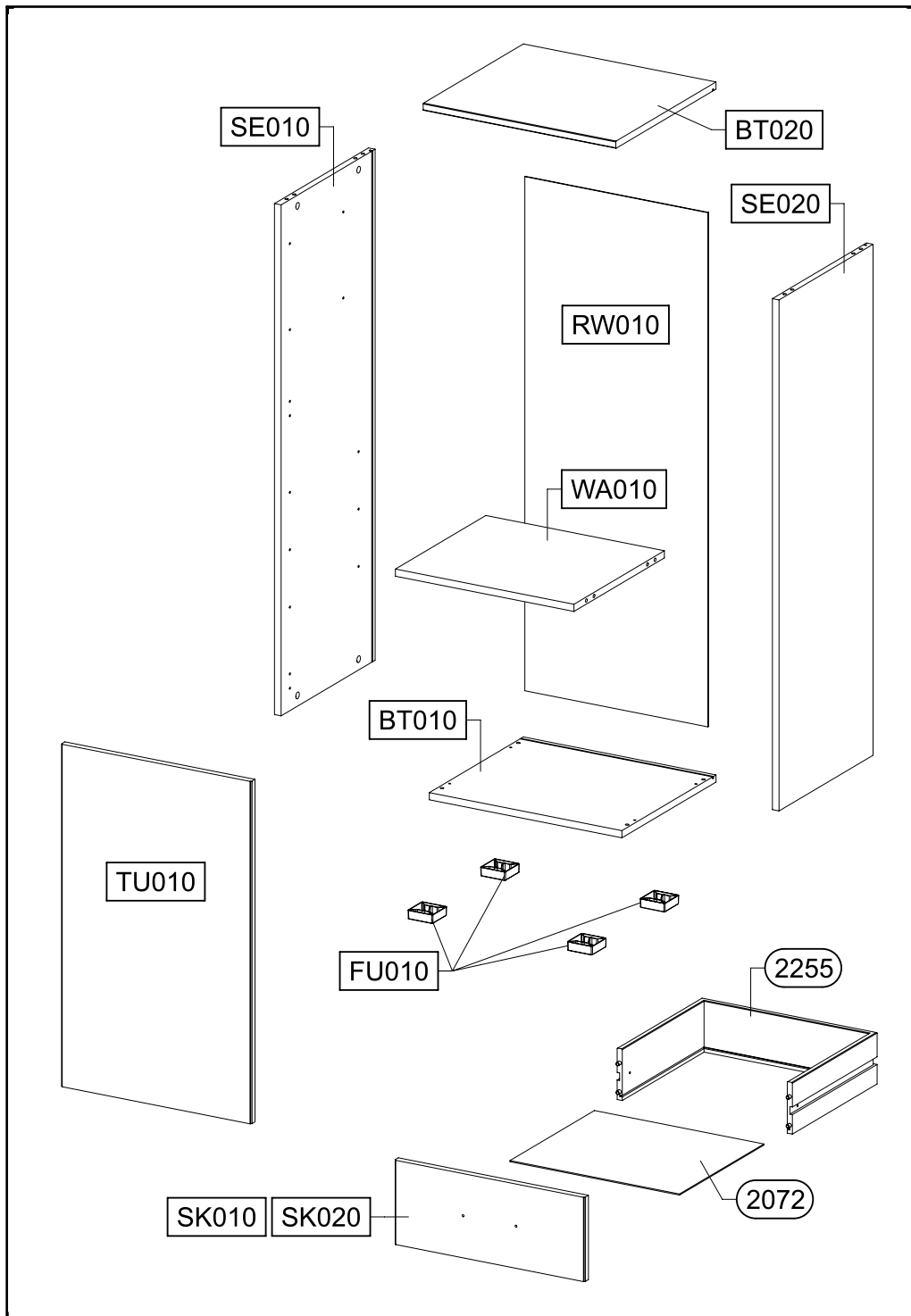
M2957_01

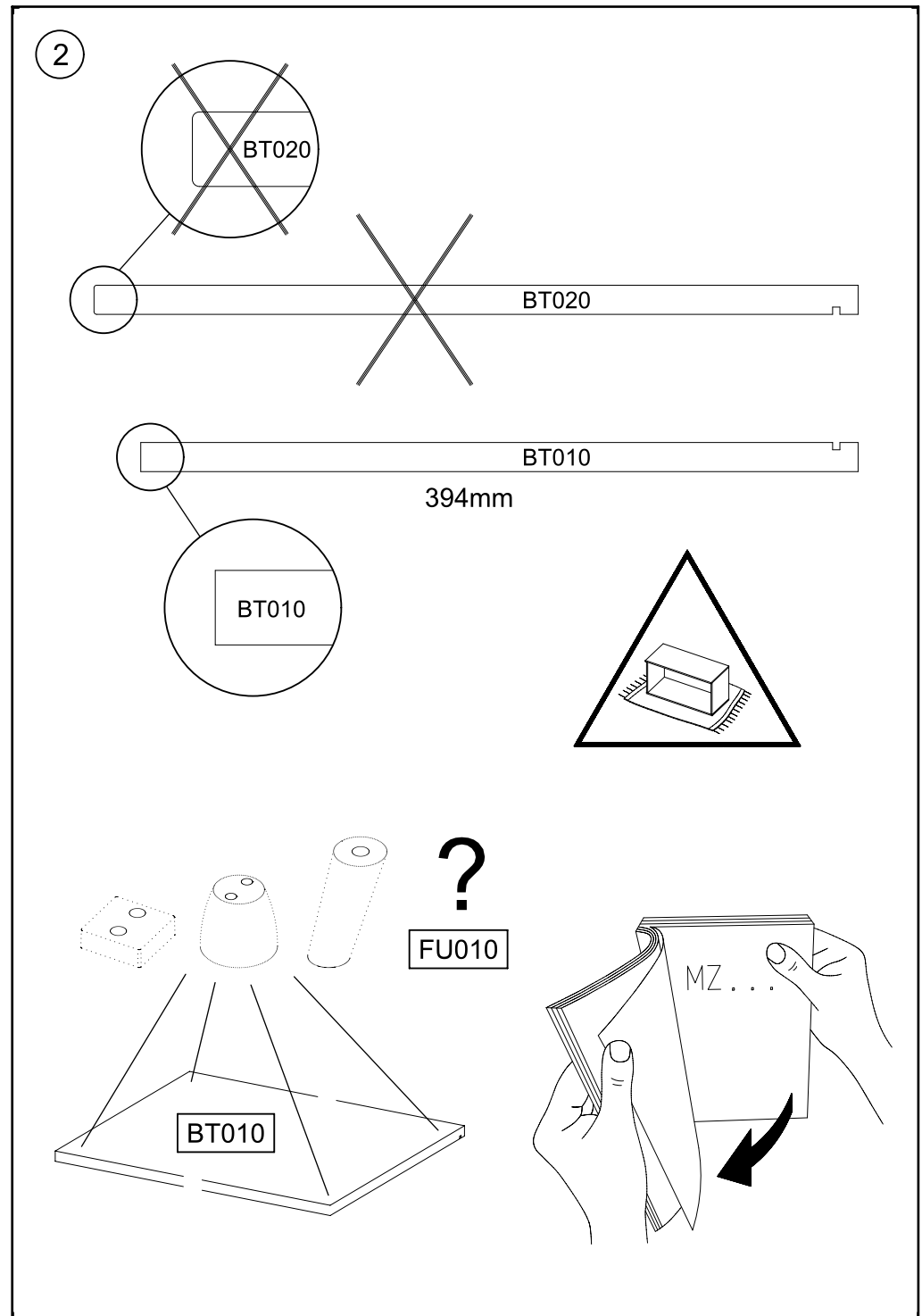
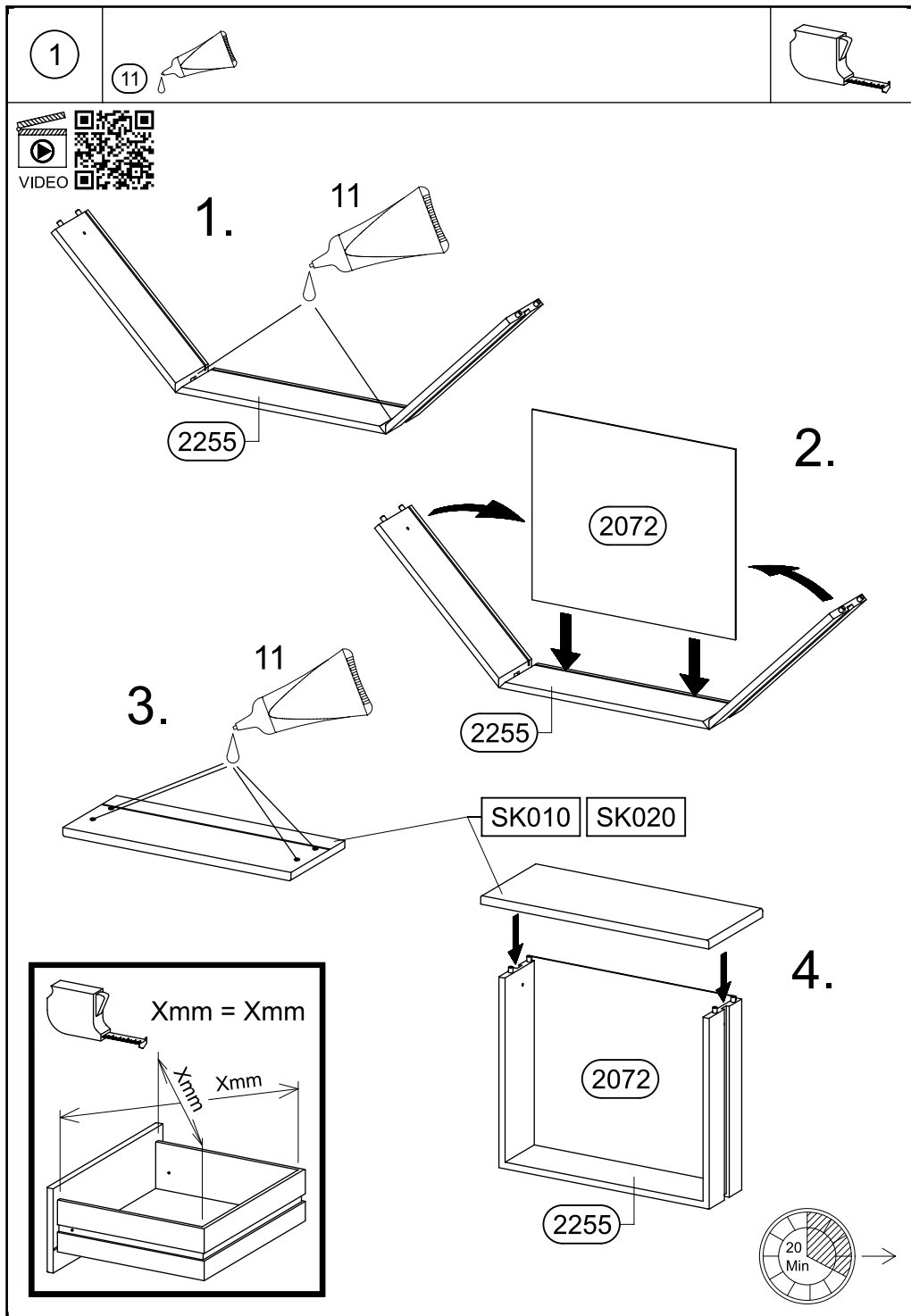


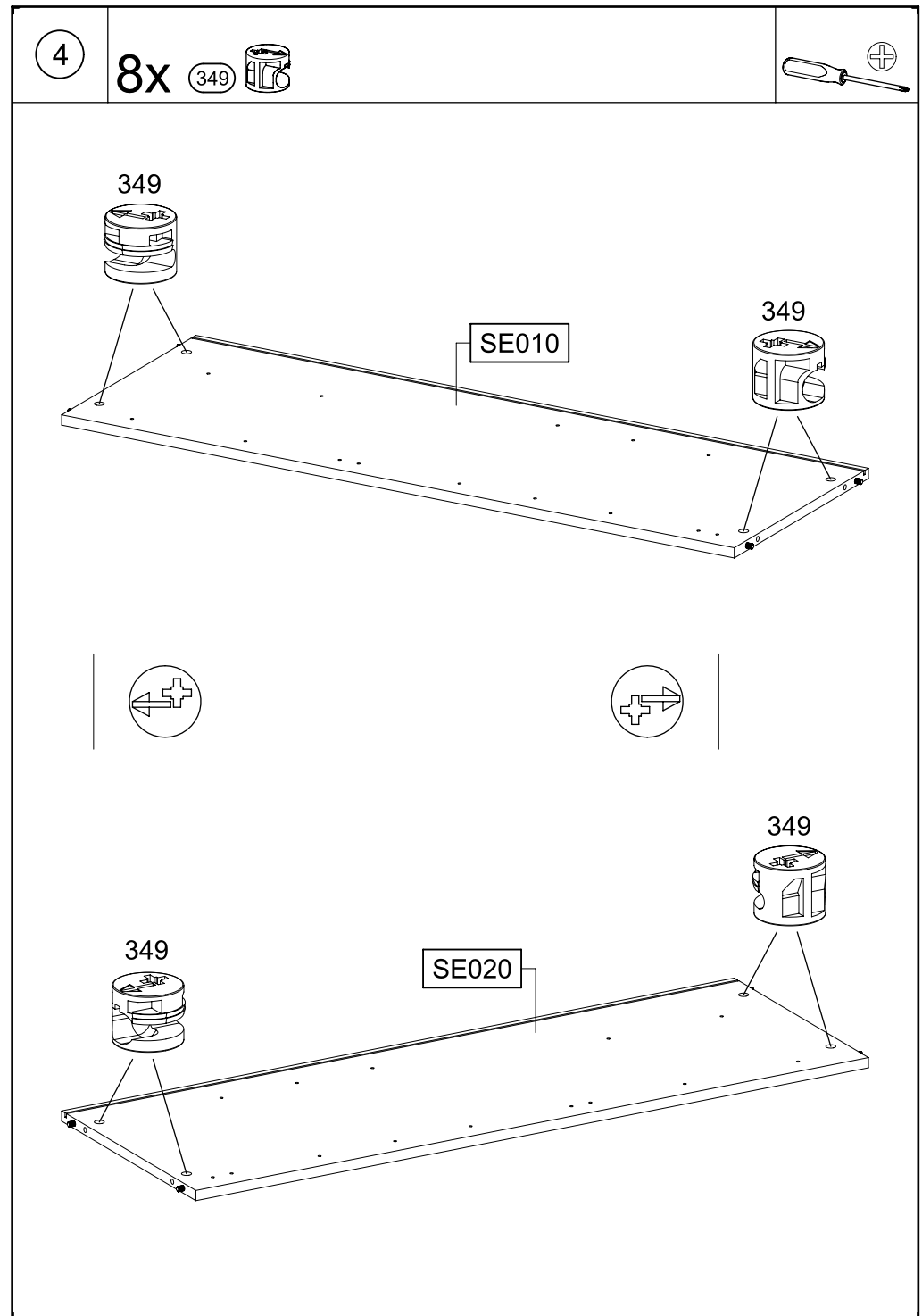
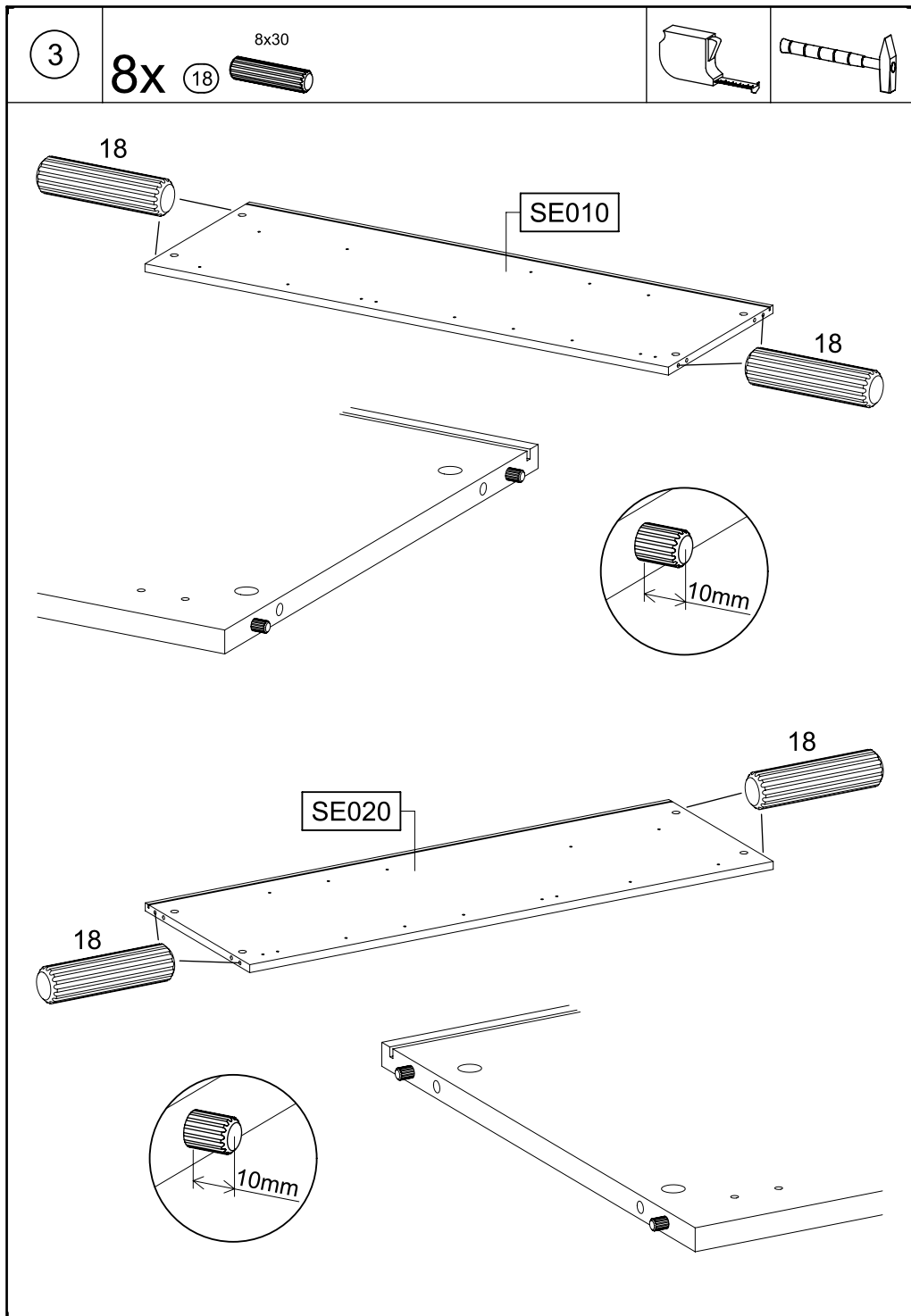
SK020

SK010





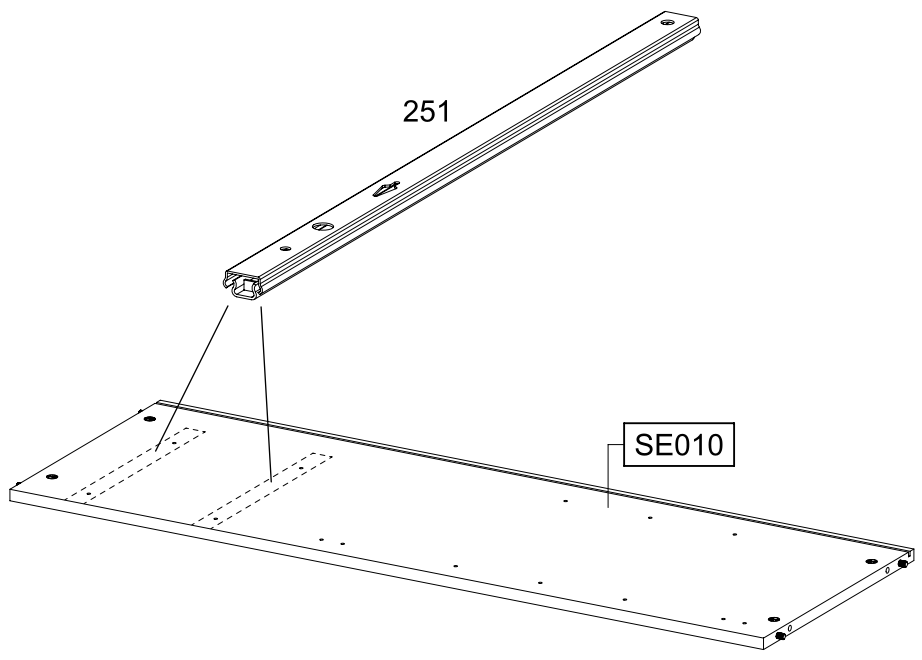
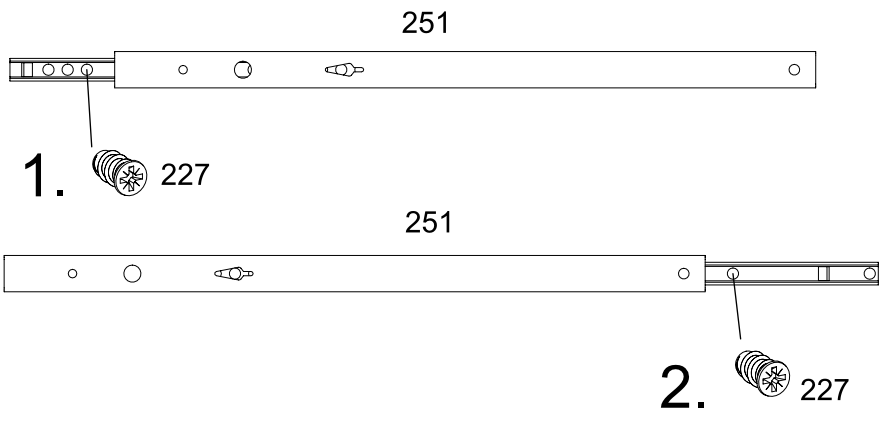
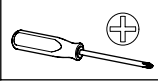
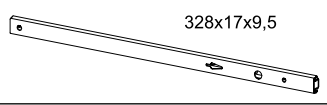




5

4x 227 6x10,5

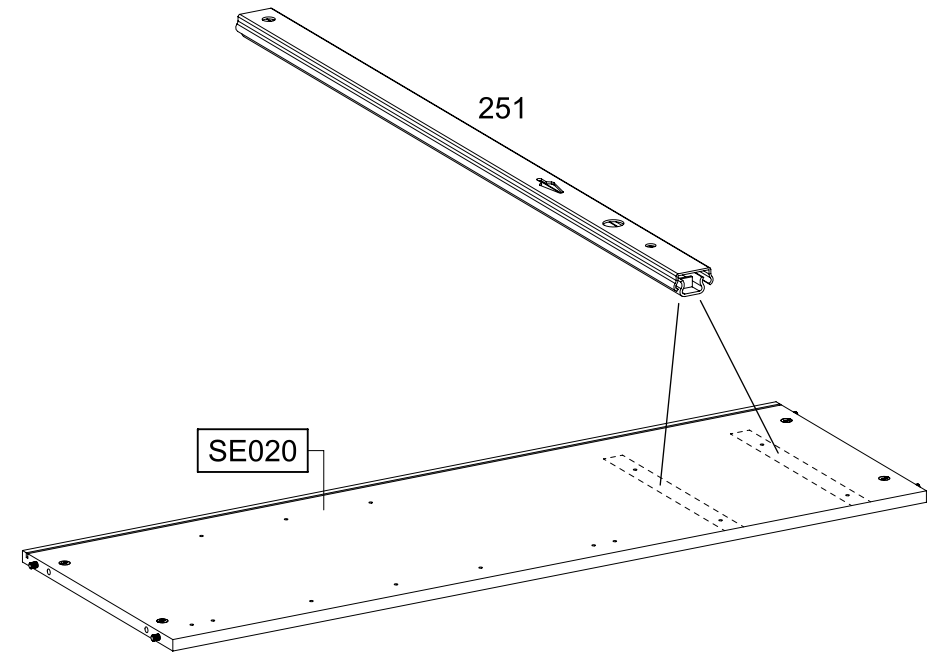
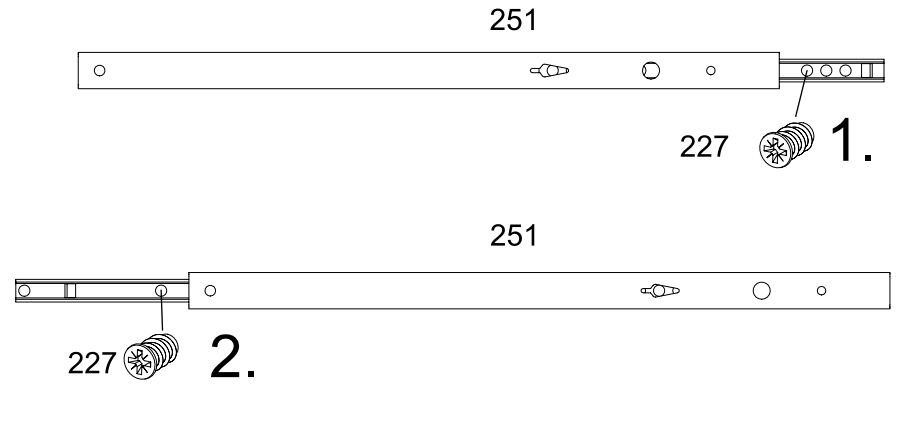
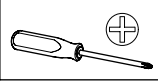
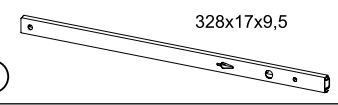
2x 251

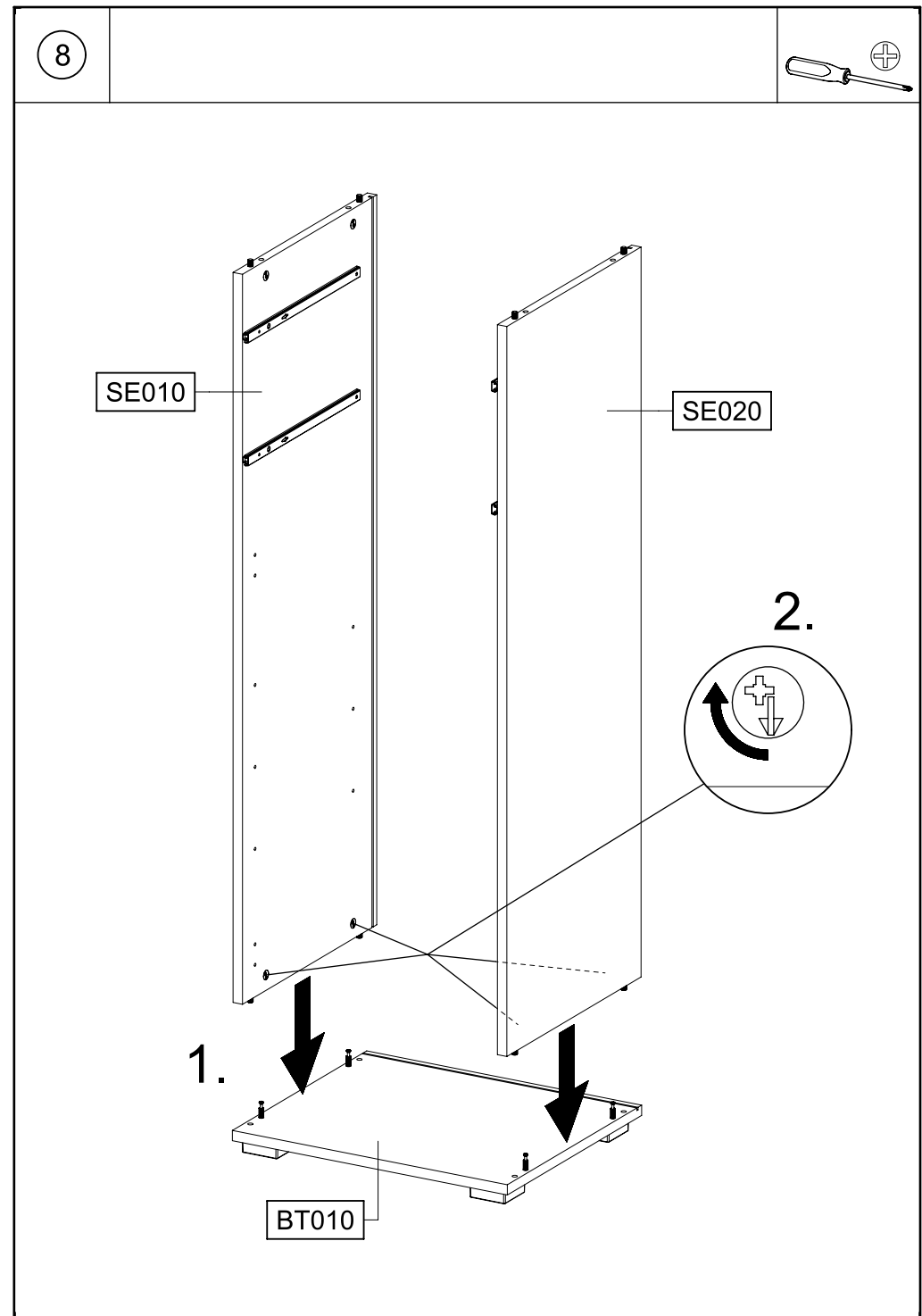
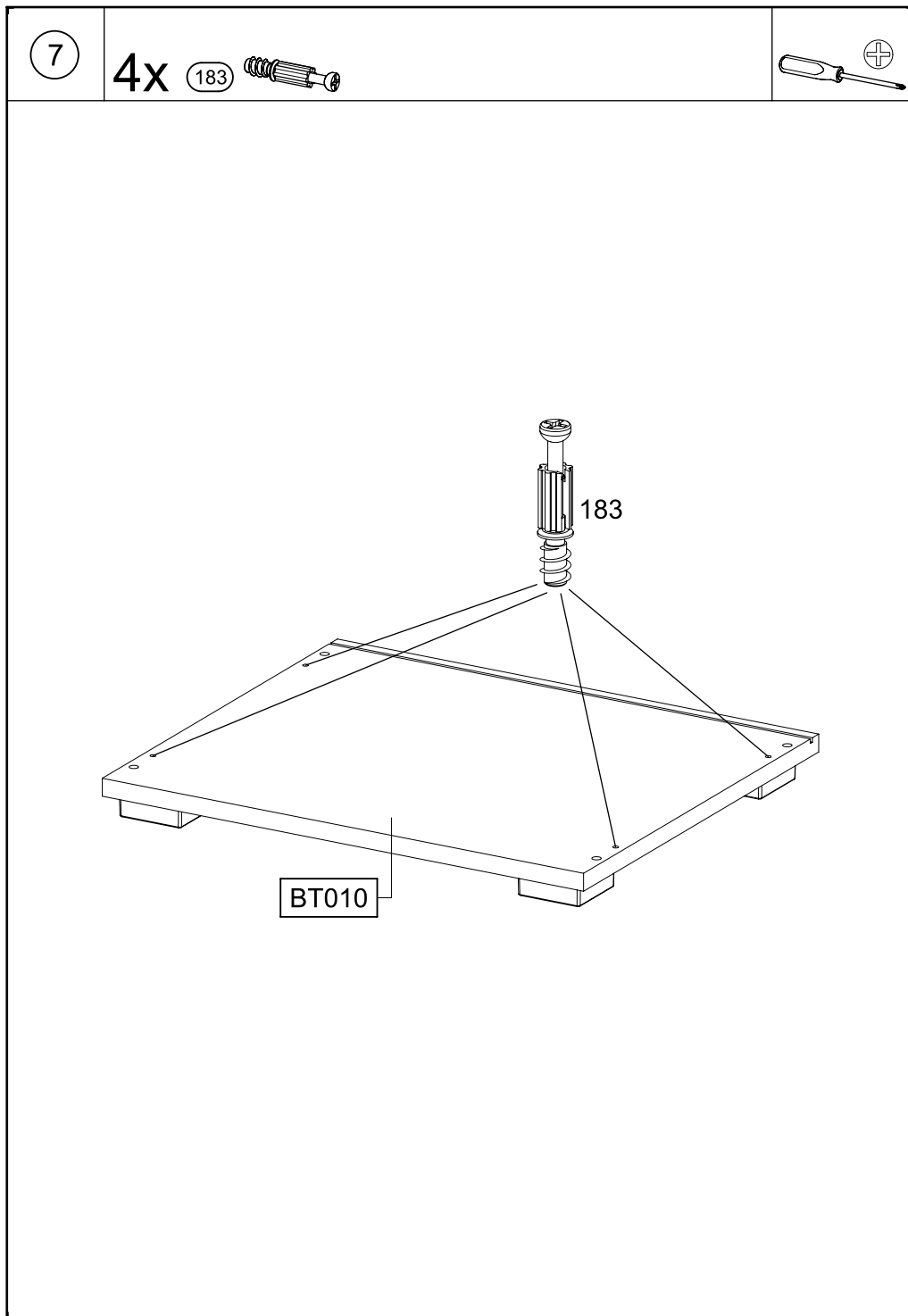


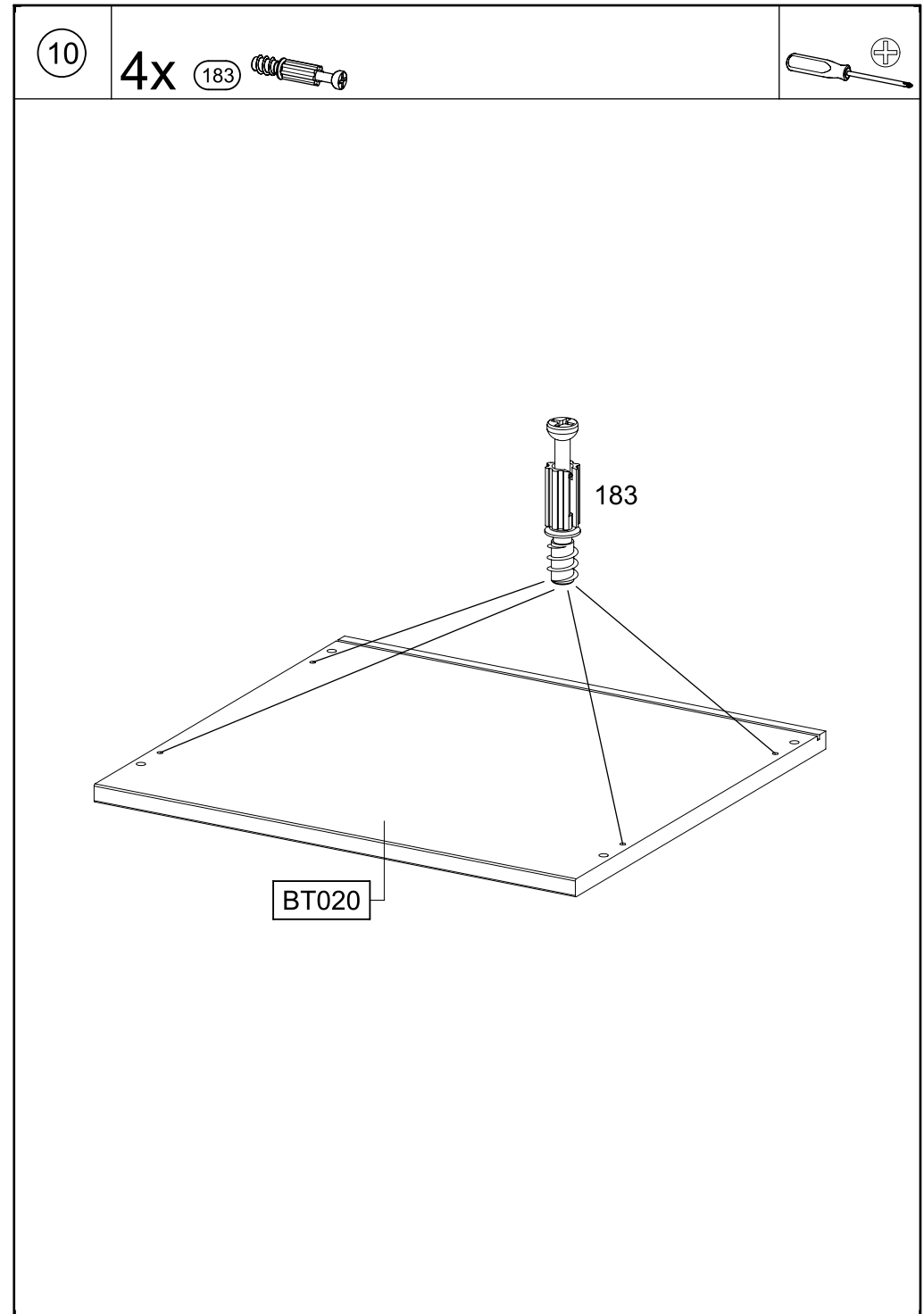
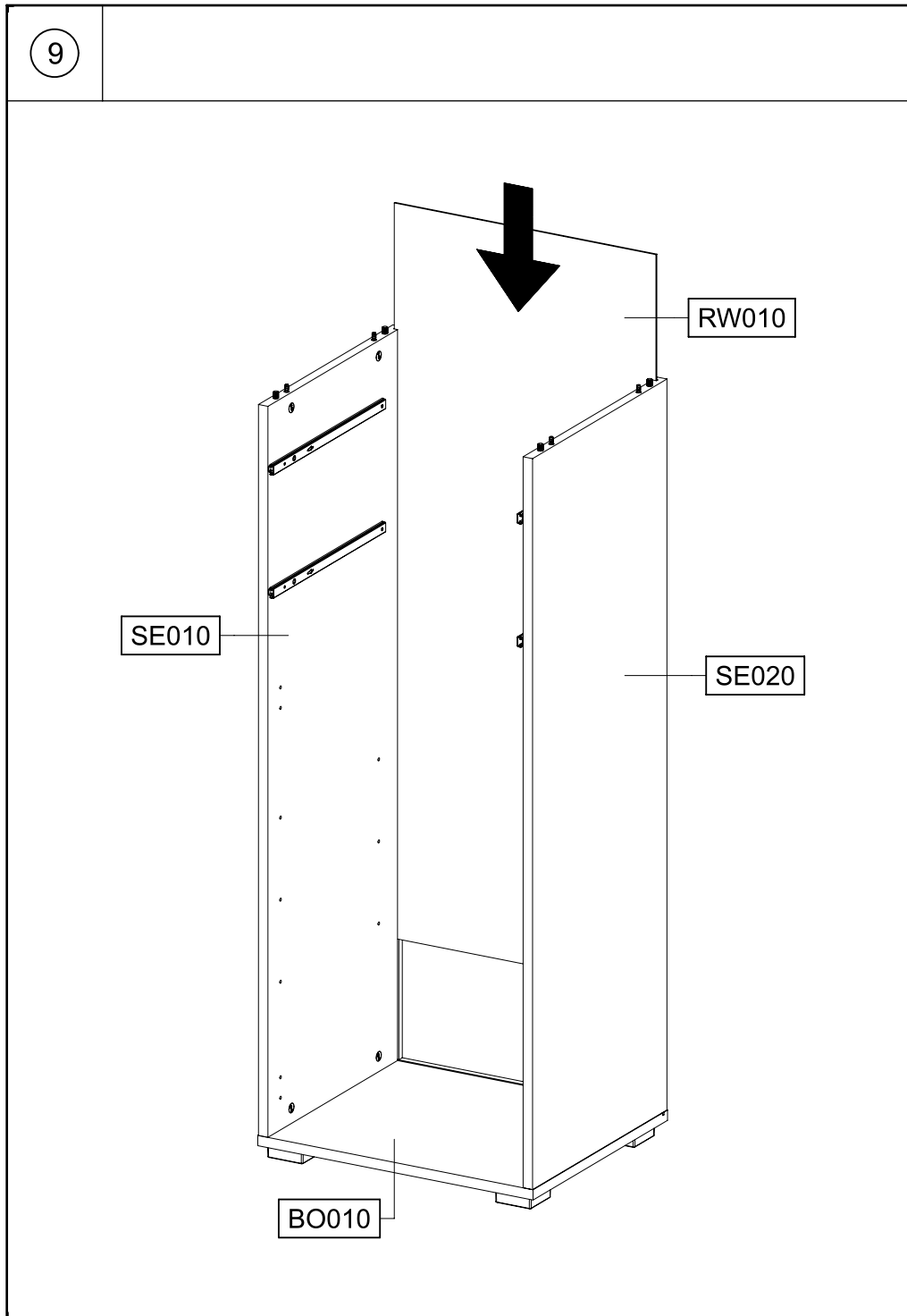
6

4x 227 6x10,5

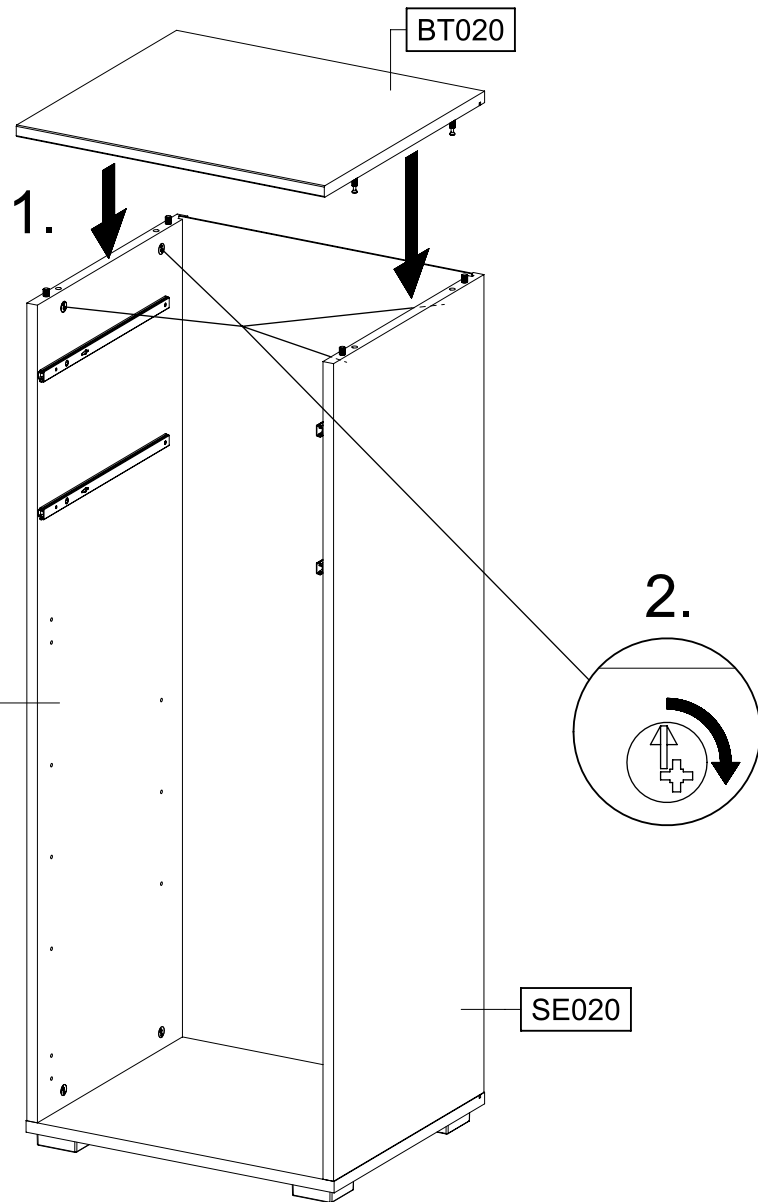
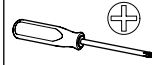
2x 251





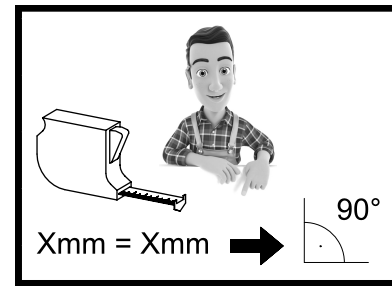
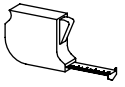
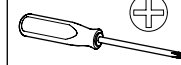


11

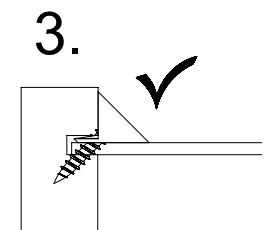
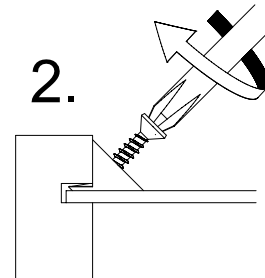
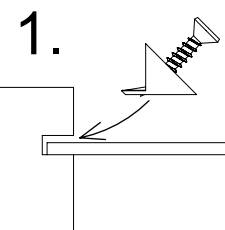
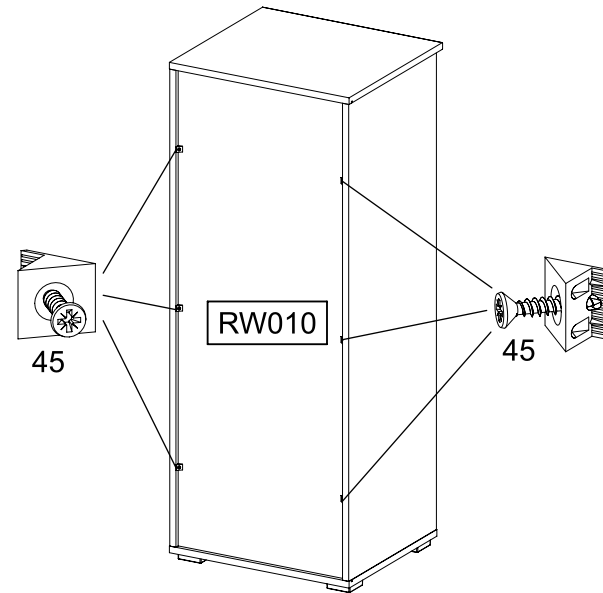


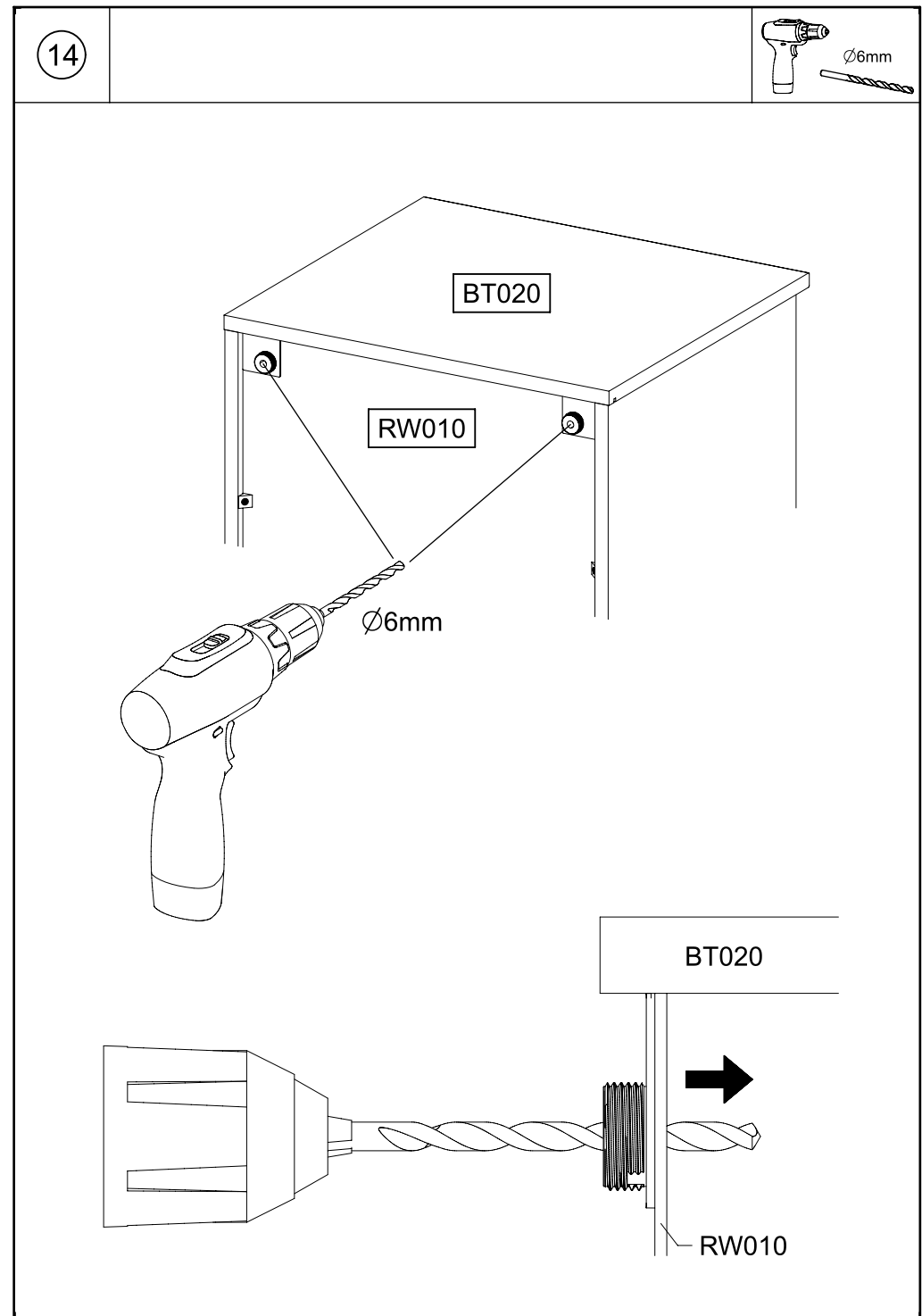
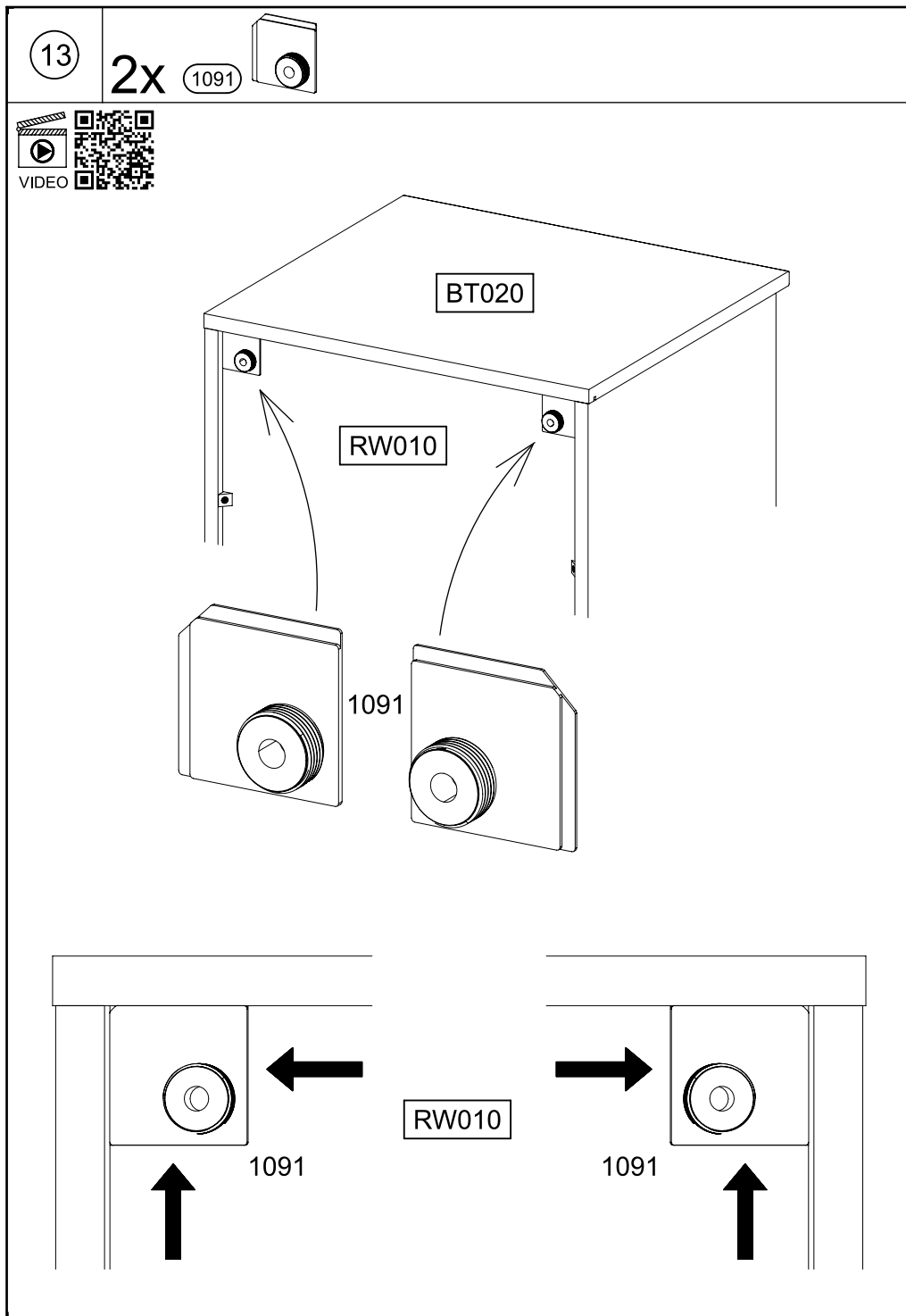
12

6x 45

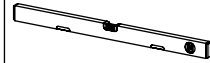


RW010





15



16

2x

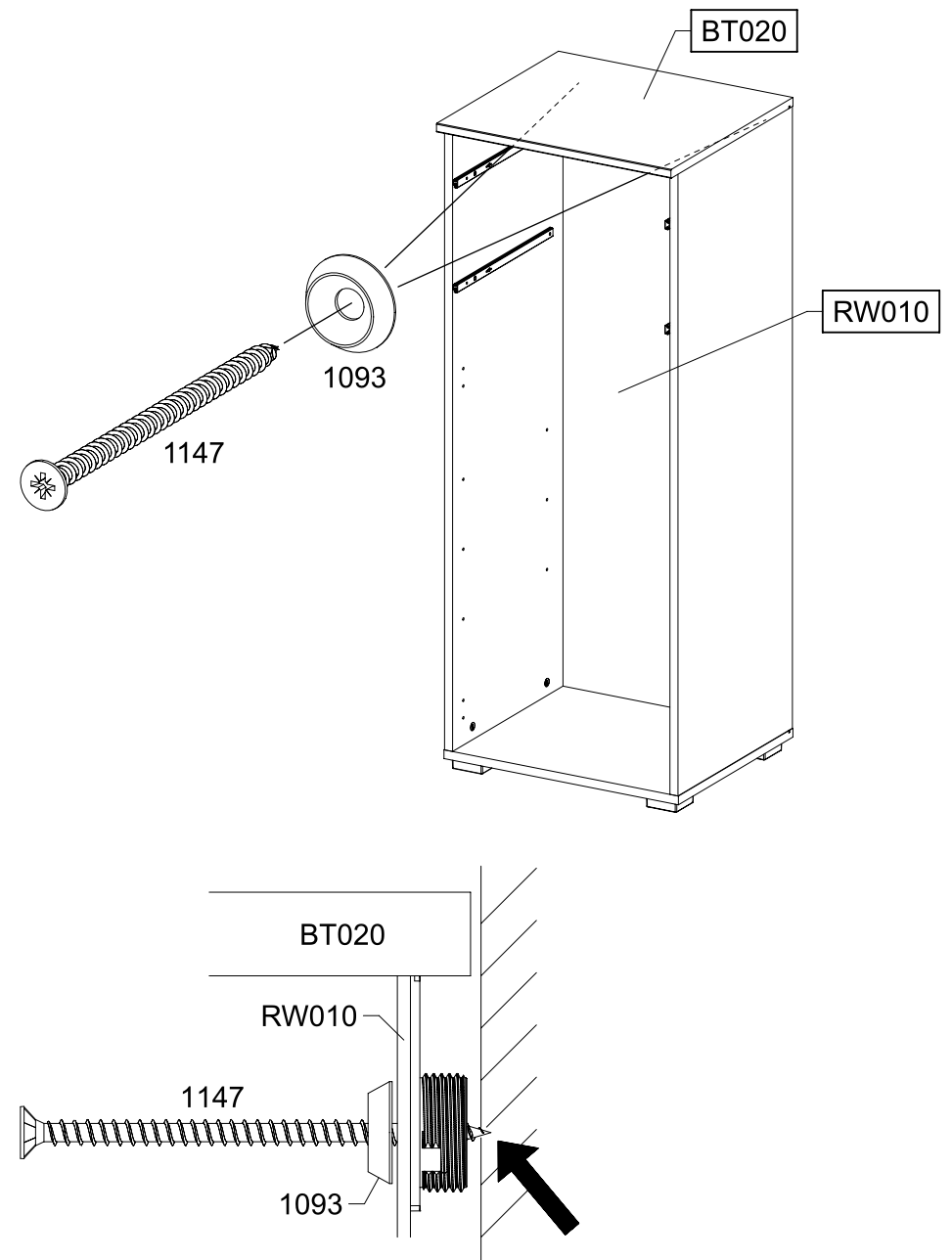
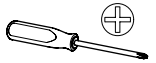
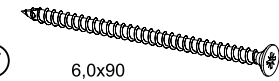
1093



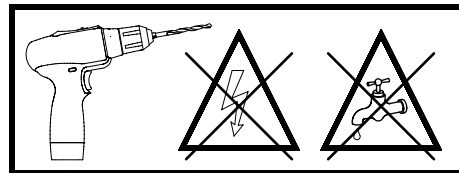
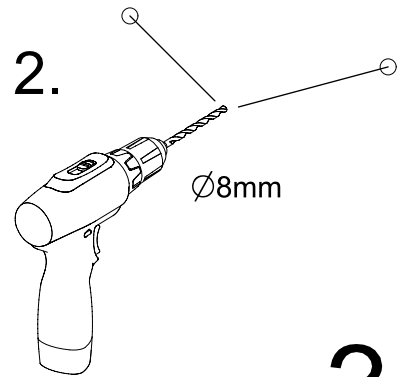
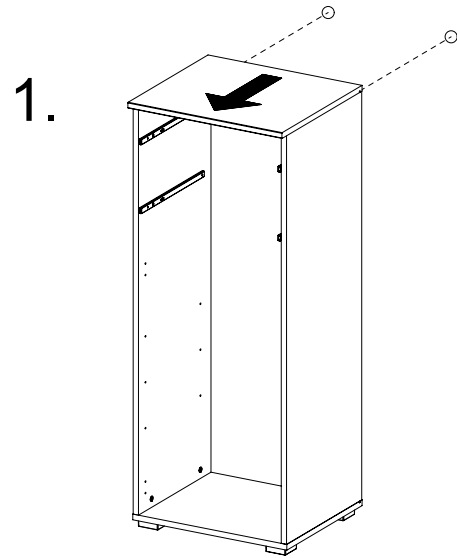
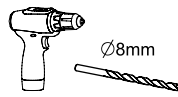
2x

1147

6,0x90

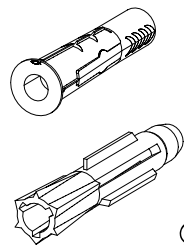
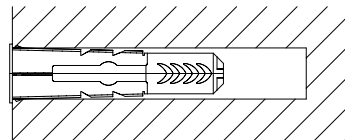


17



?

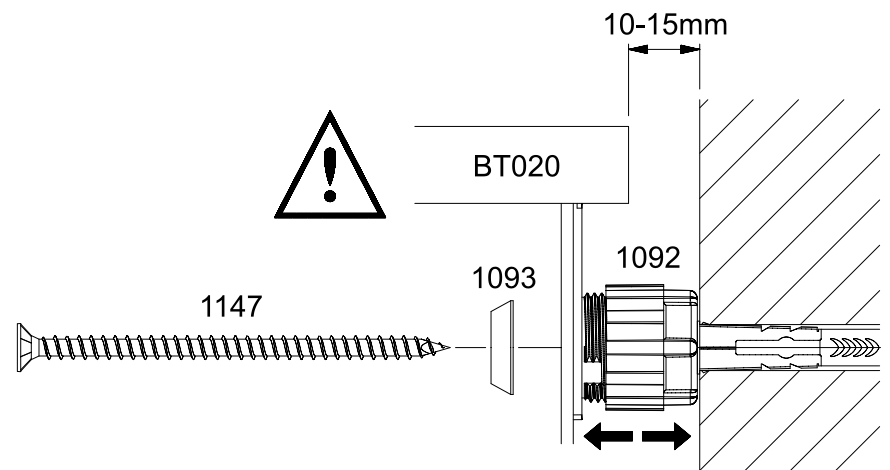
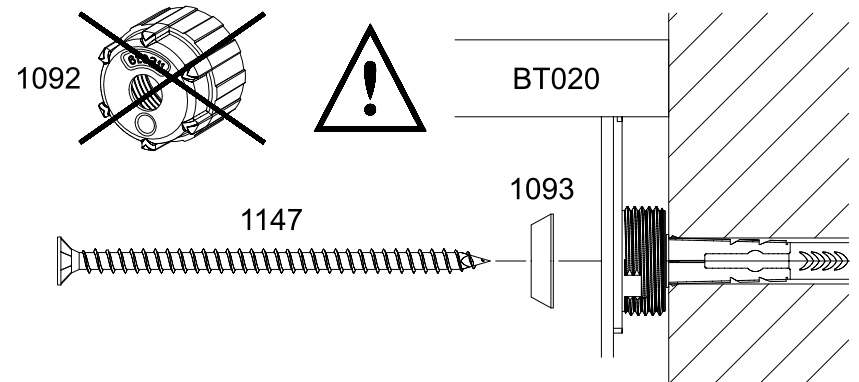
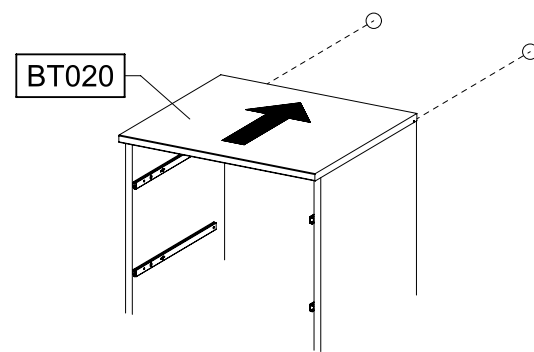
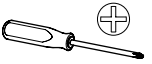
3.



Ø8mm

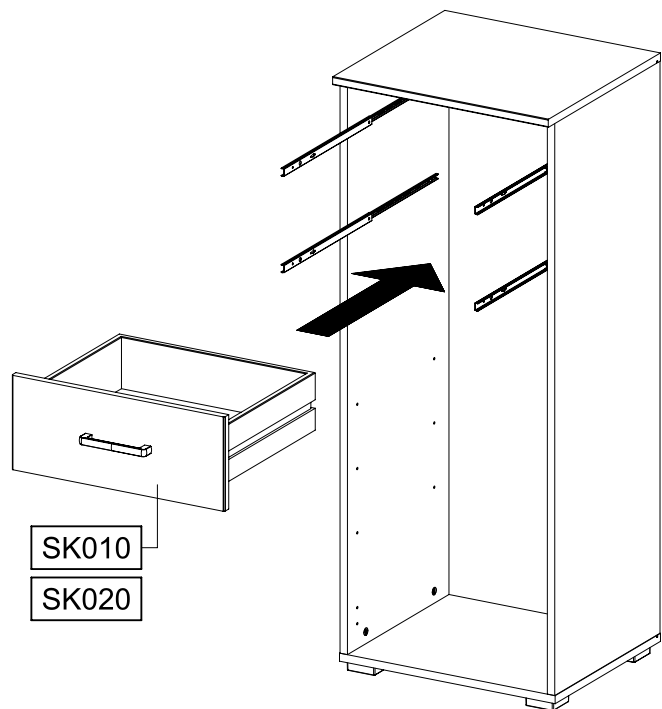
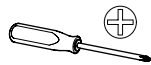
18

2x 1092



19

4x 568 M4x9



SK010

SK020

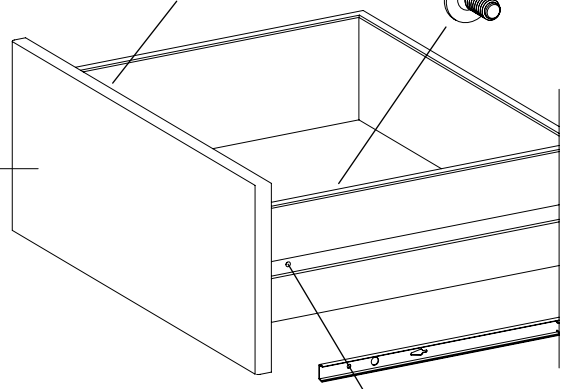


568



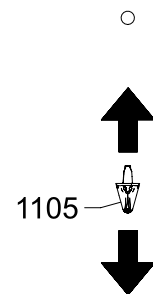
568

SK010 SK020



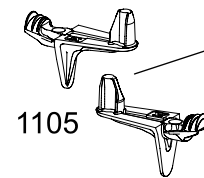
20

4x 1105

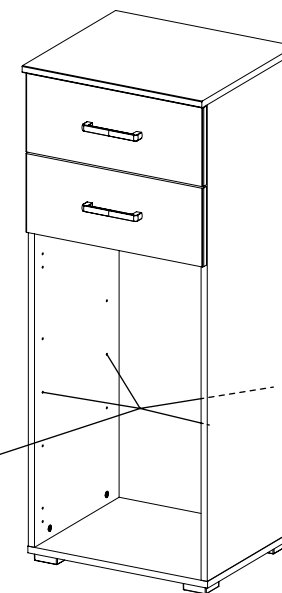


1105

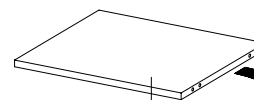
1.



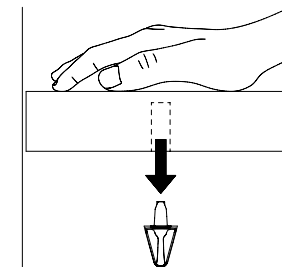
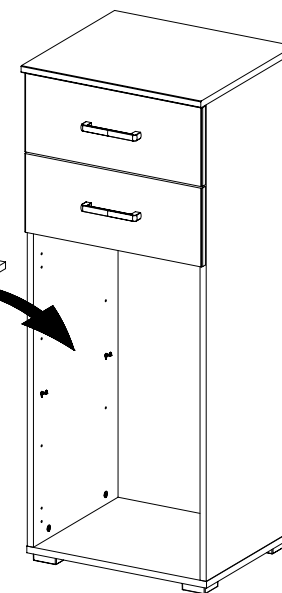
1105



2.

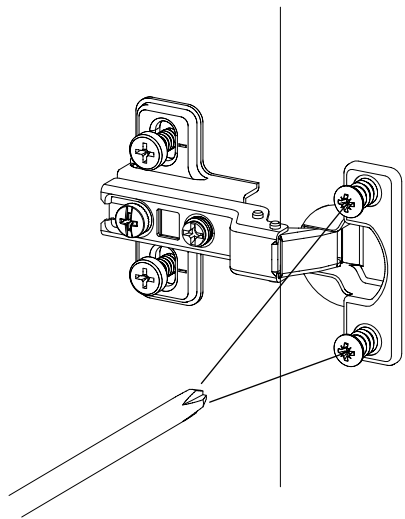
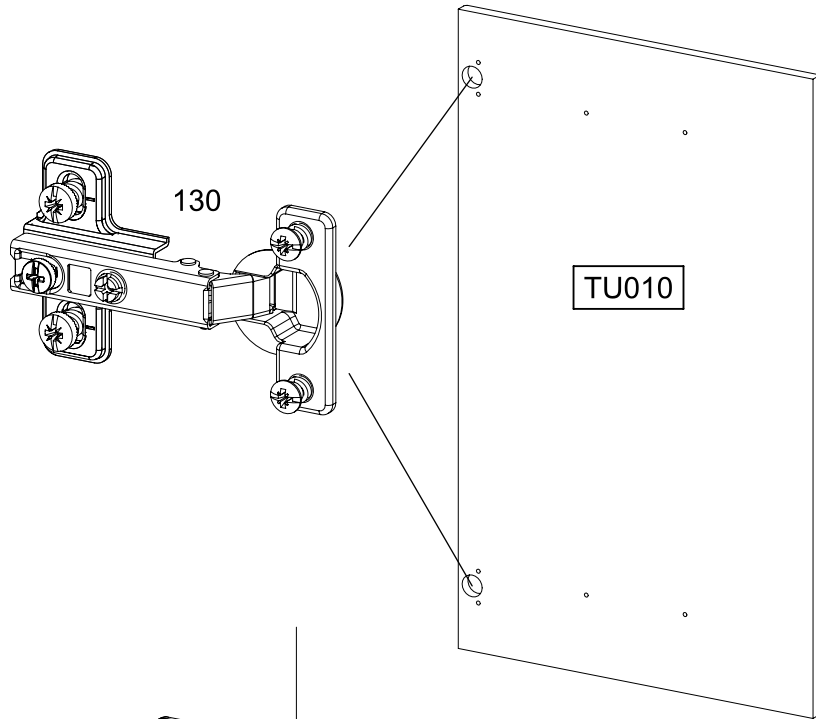
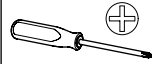
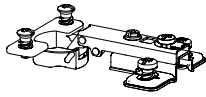


WA010

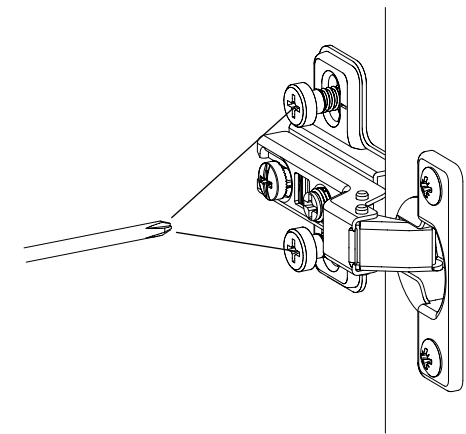
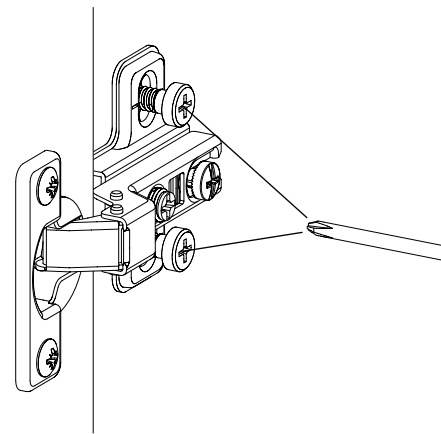
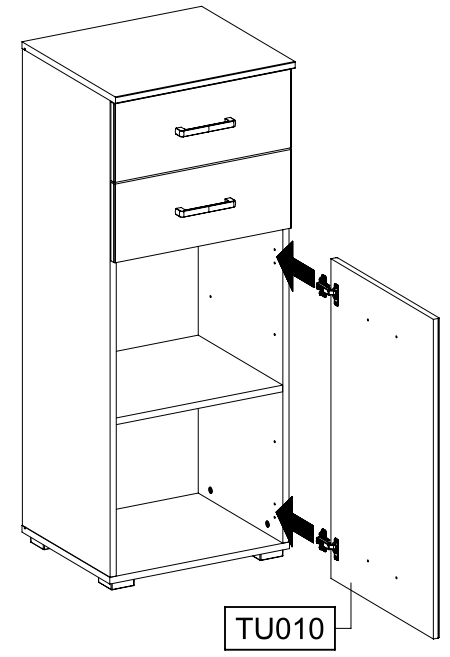
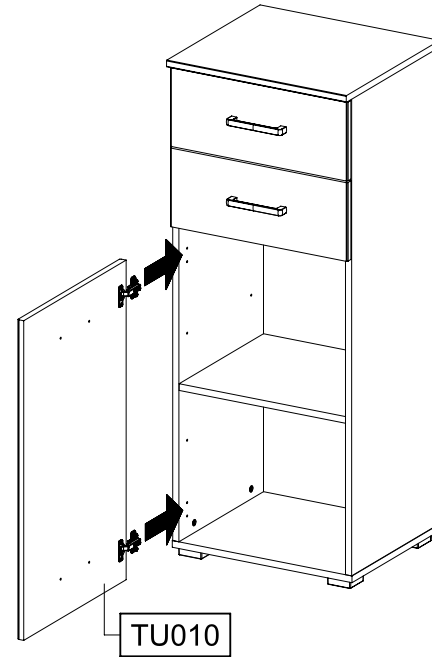
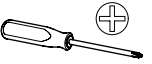


21

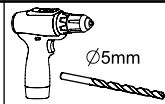
2x 130



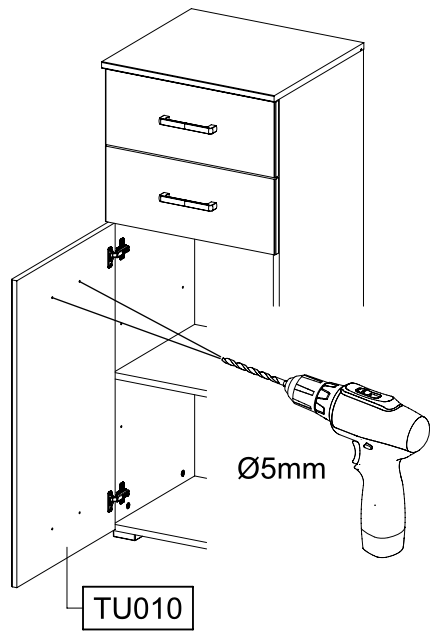
22



23

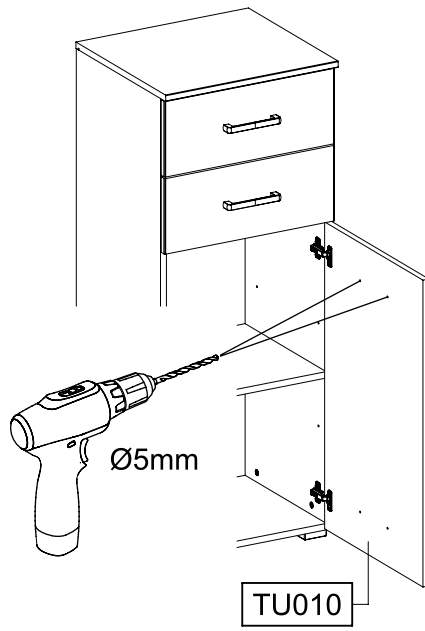


Ø5mm



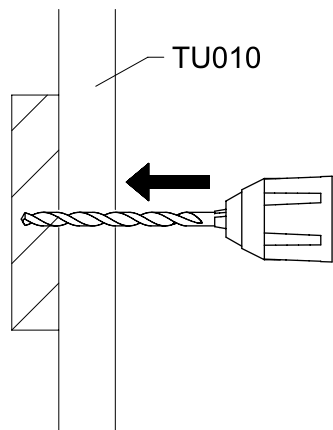
Ø5mm

TU010



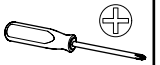
Ø5mm

TU010

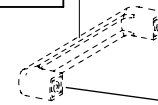


TU010

24



GR010



TU010

