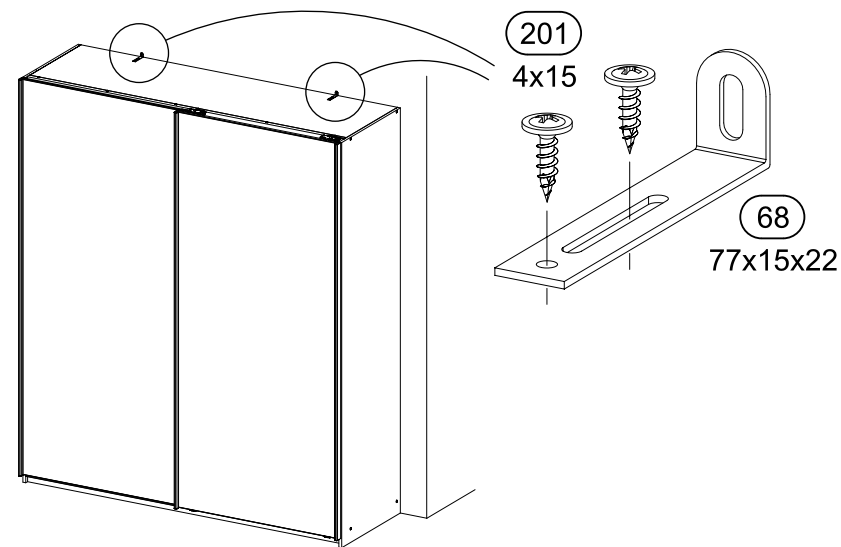
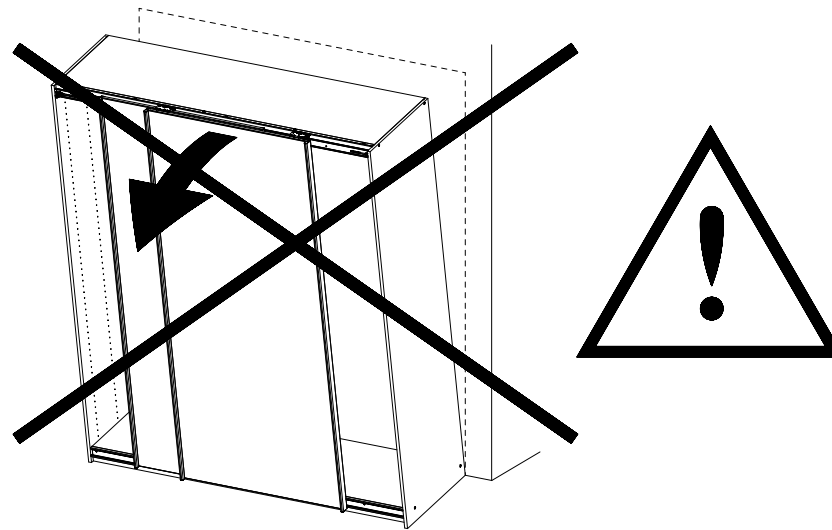
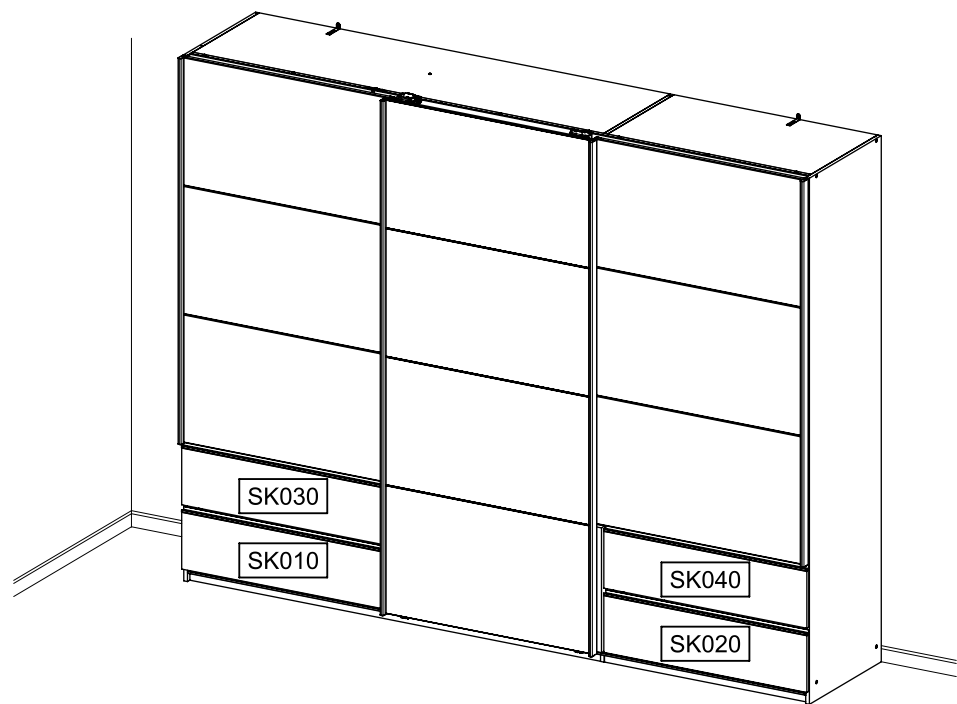
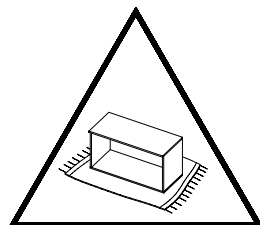
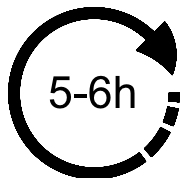
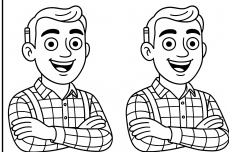
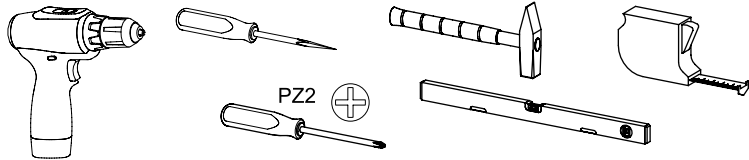


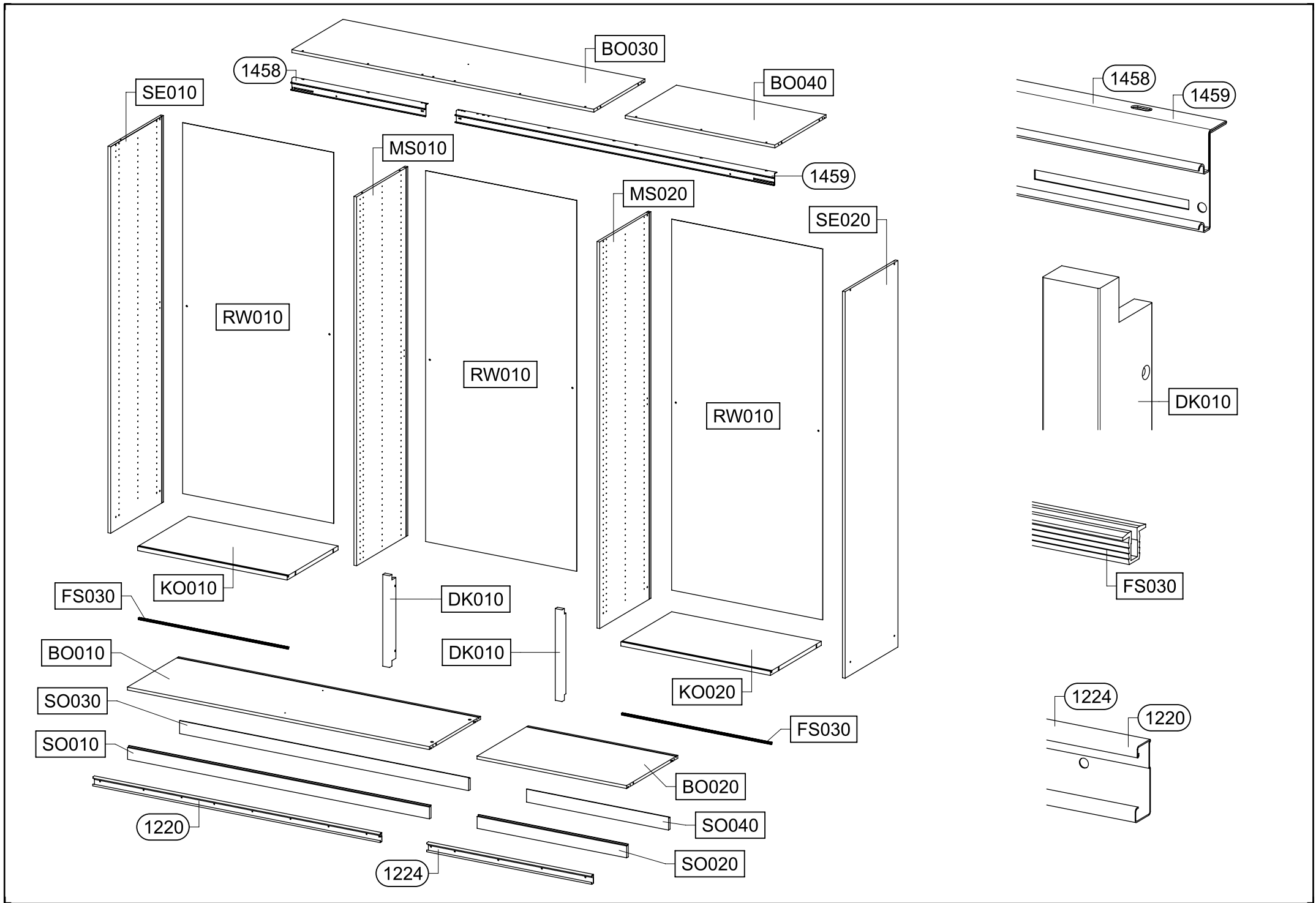
# M2935\_04

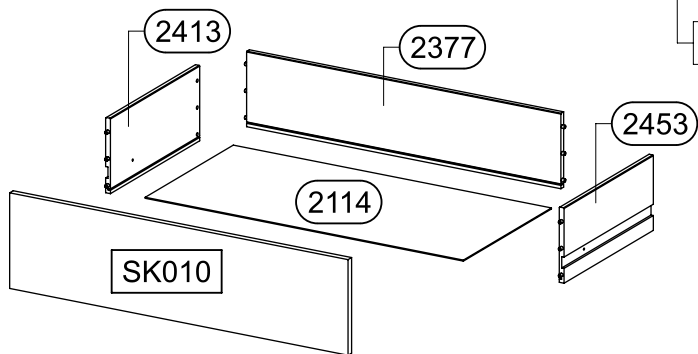
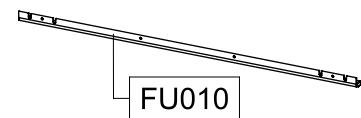
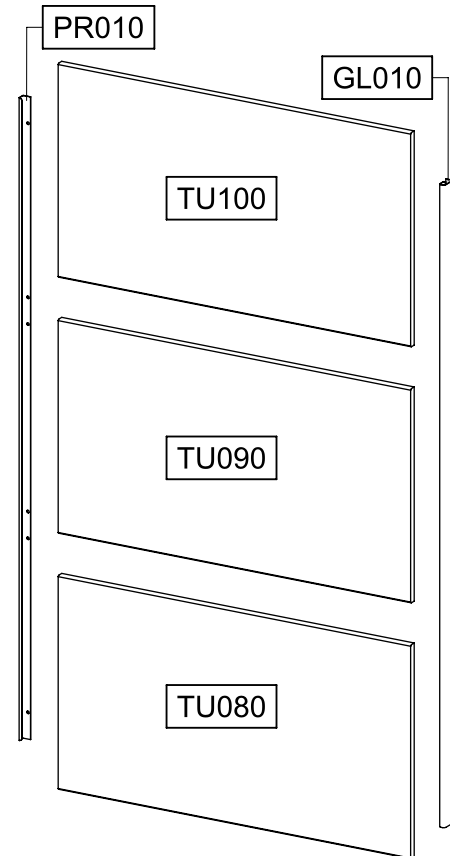
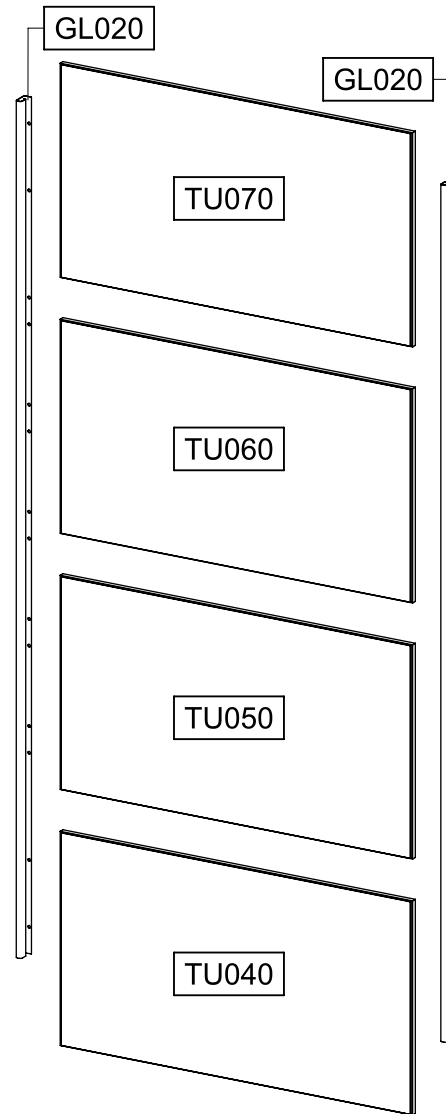
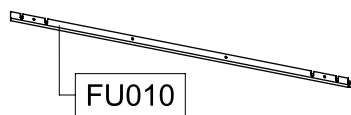
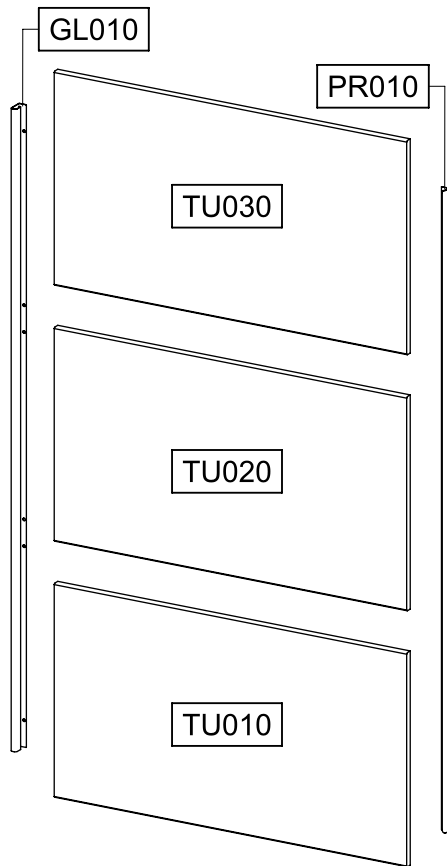
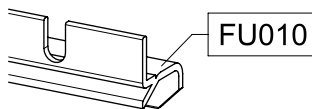
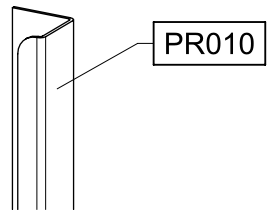
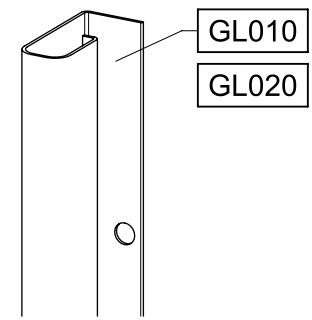


VIDEO

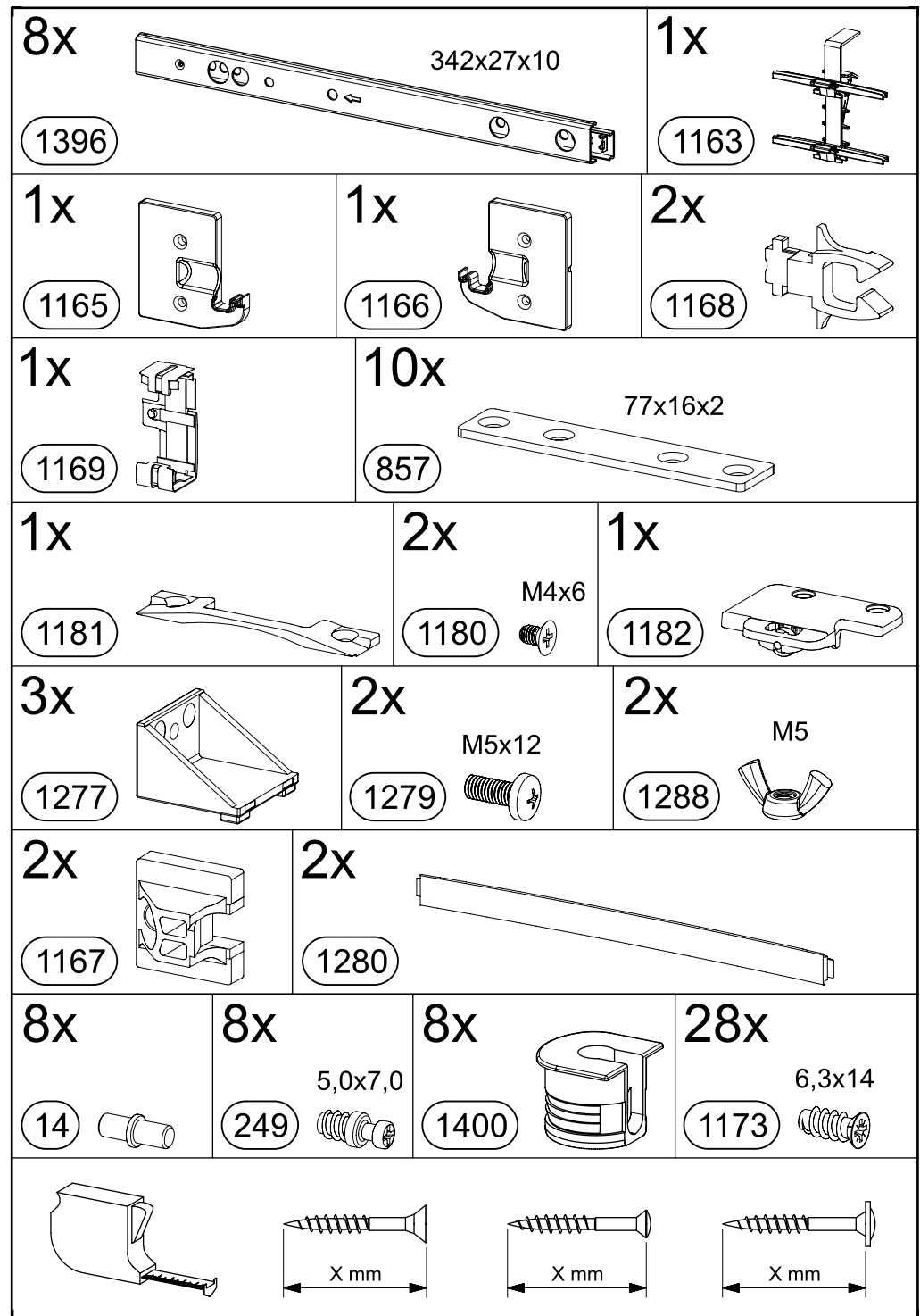
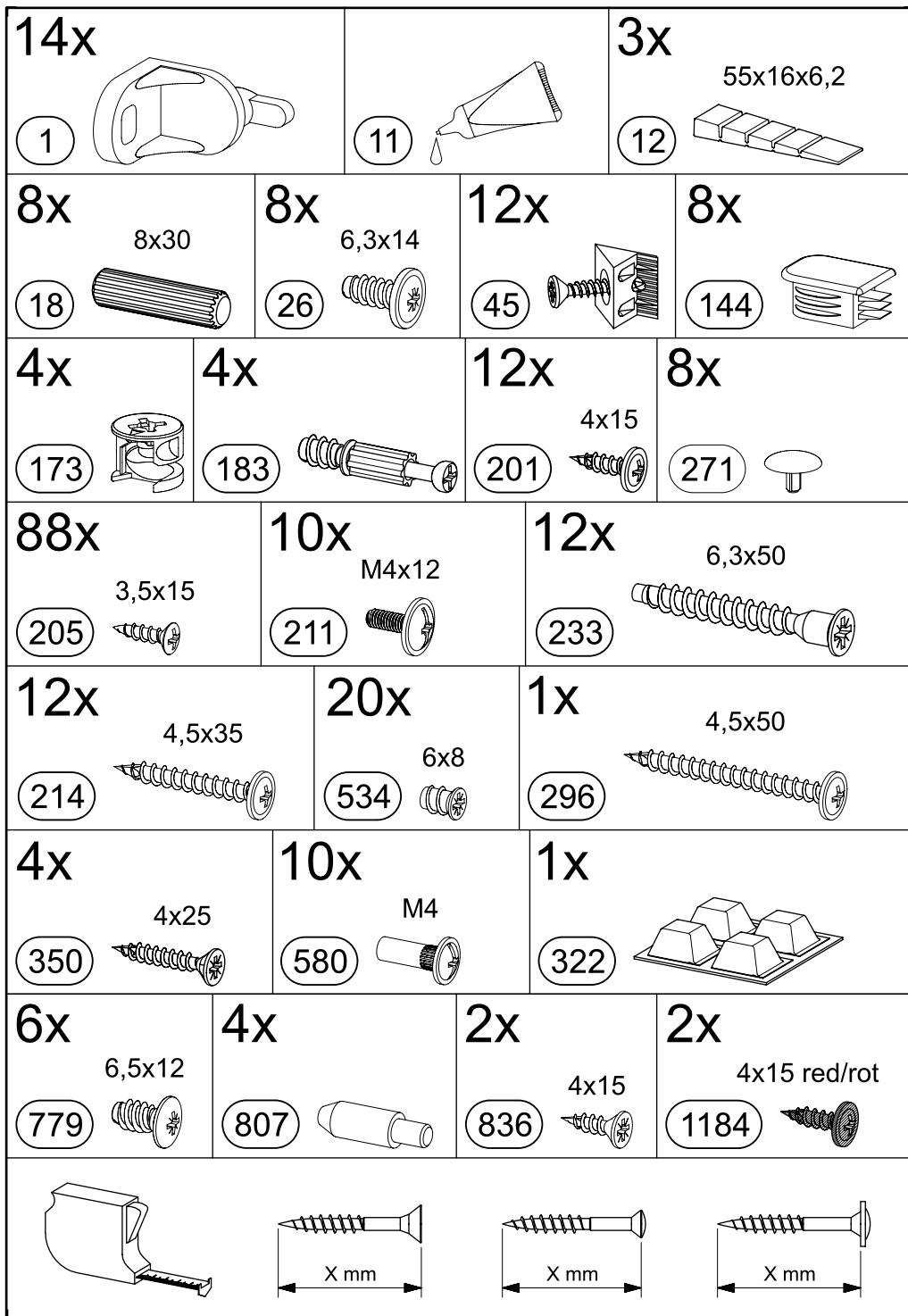


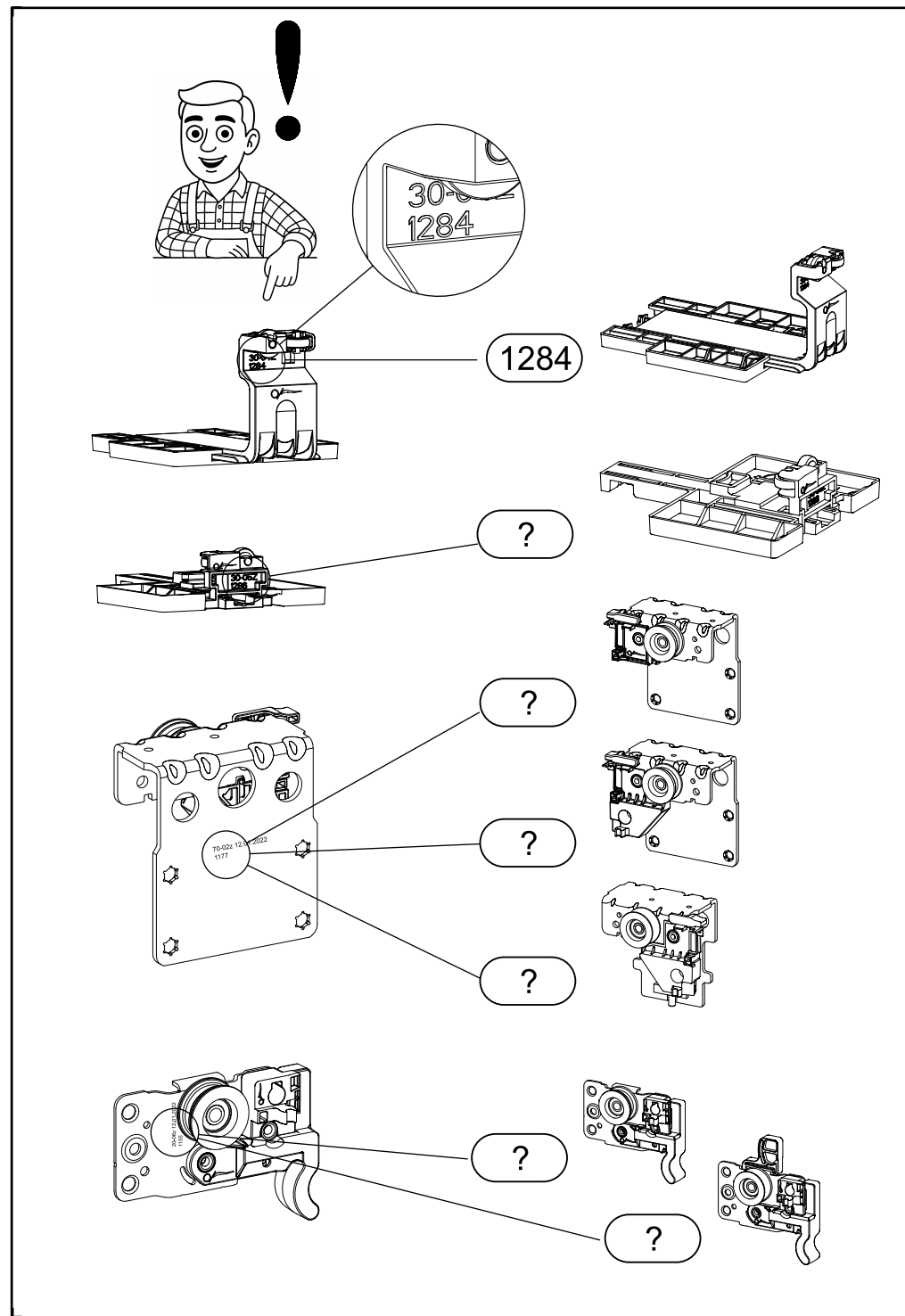
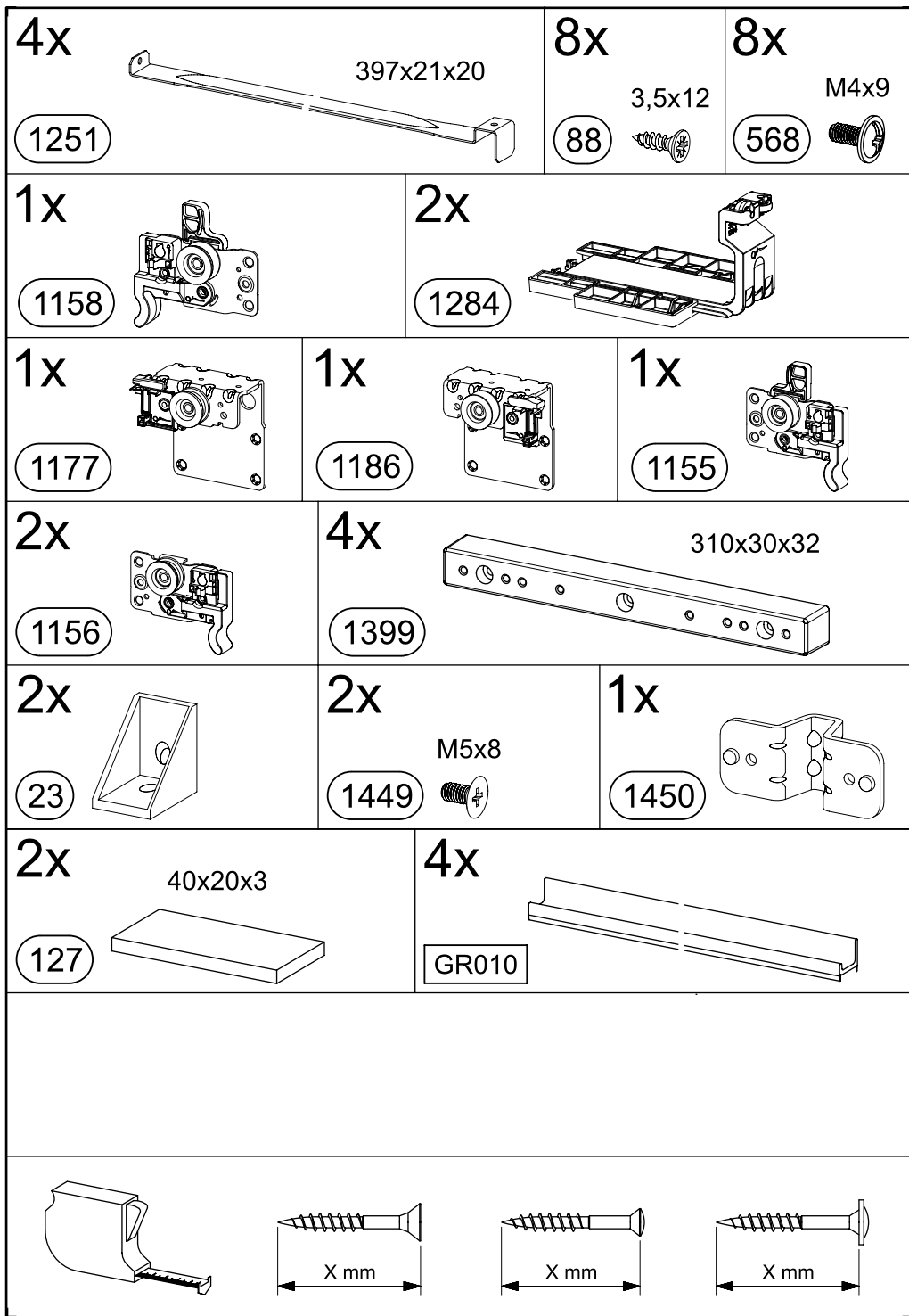
SCAN ME

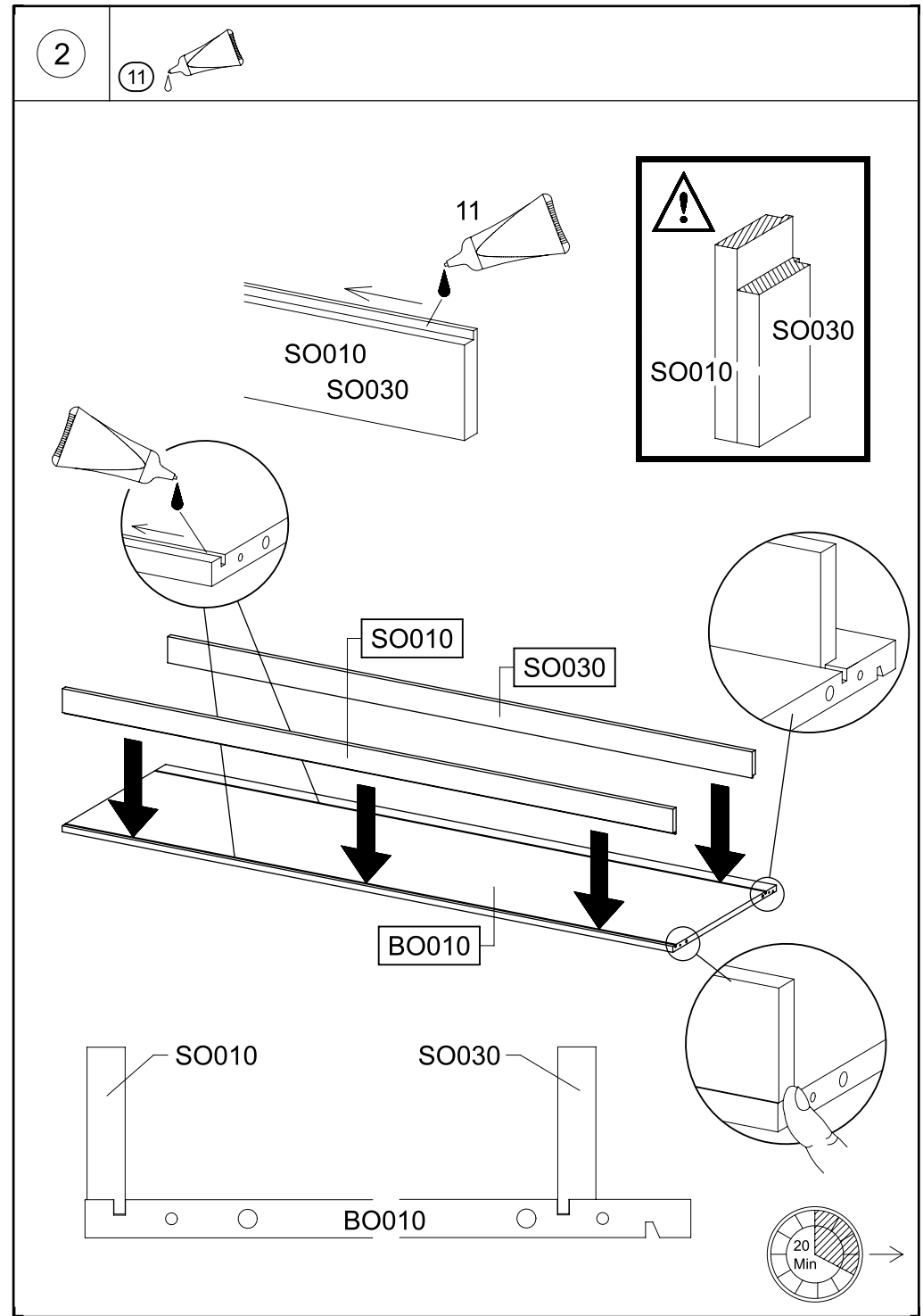
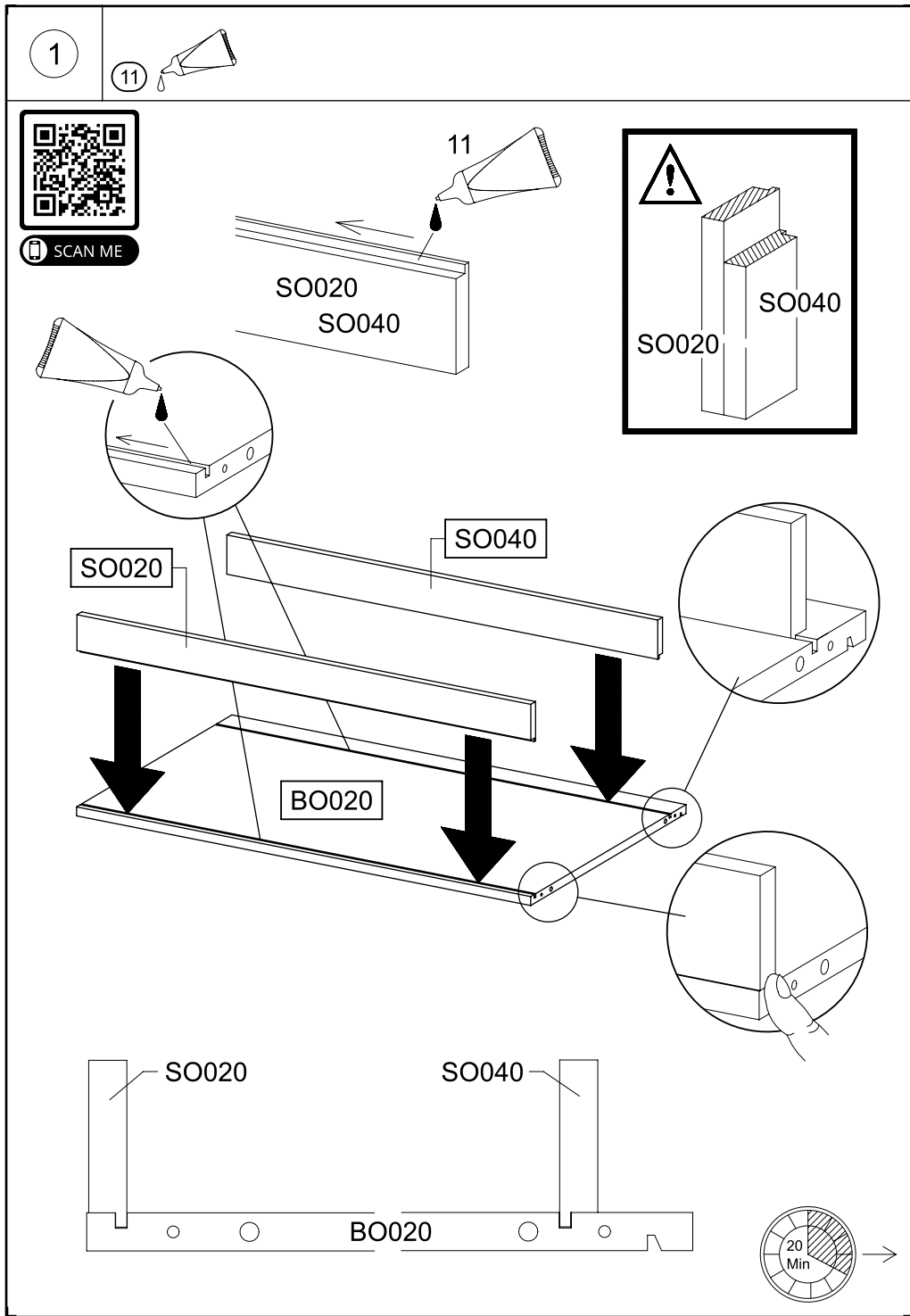


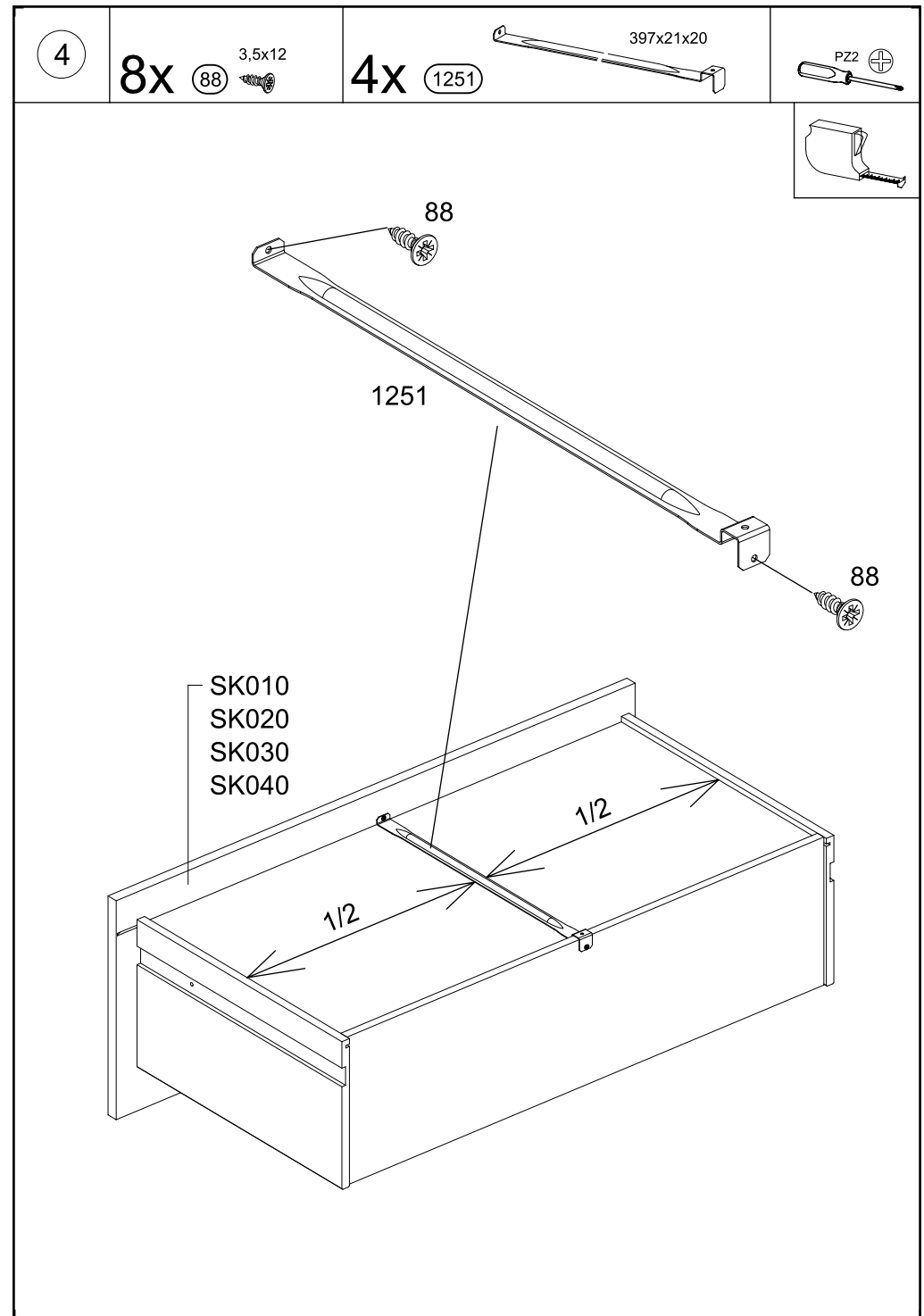
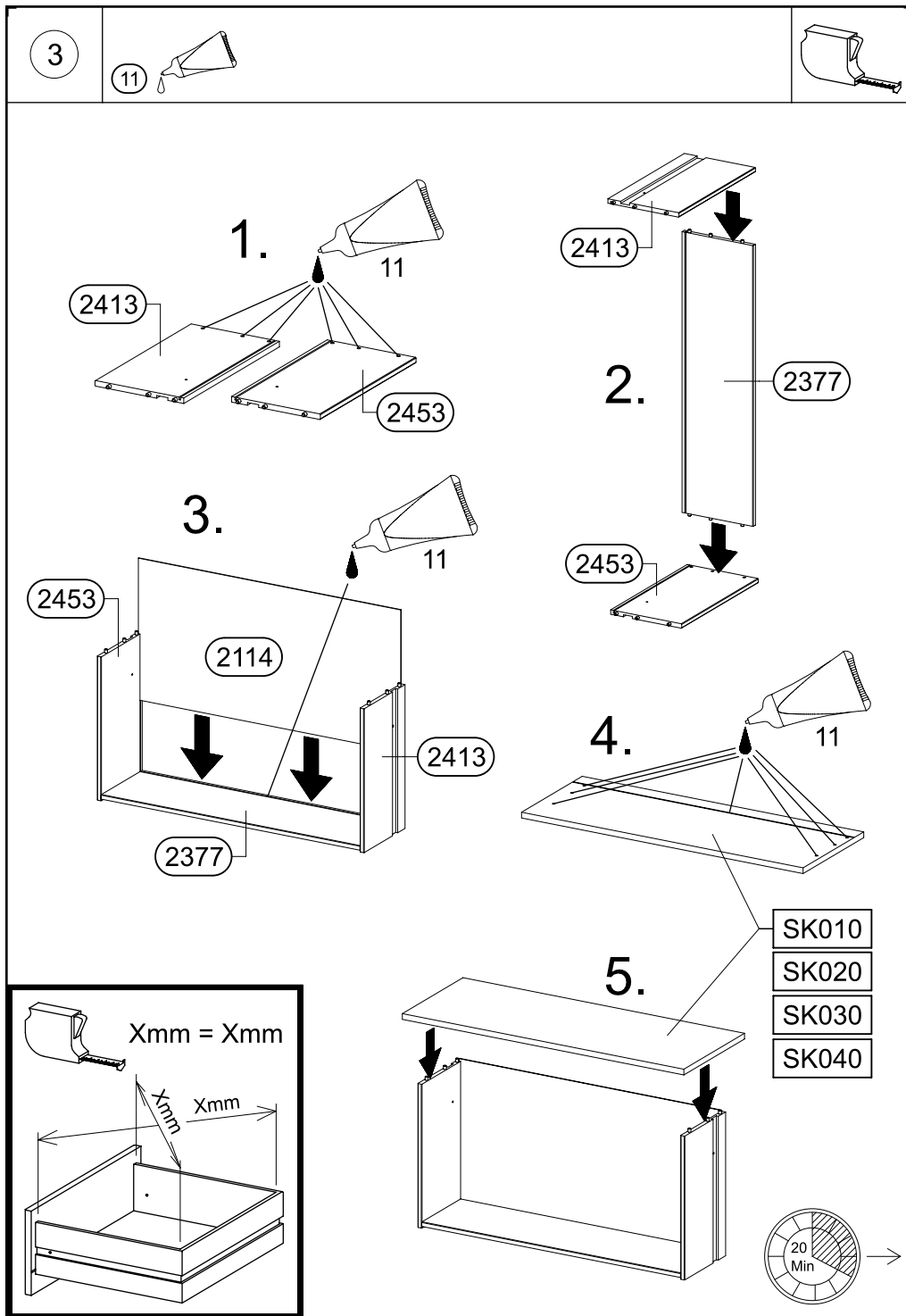


SK010 = SK020 = SK030 = SK040





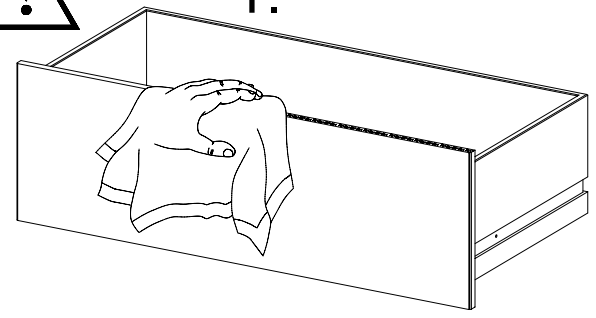




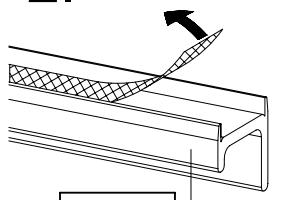
5



1.

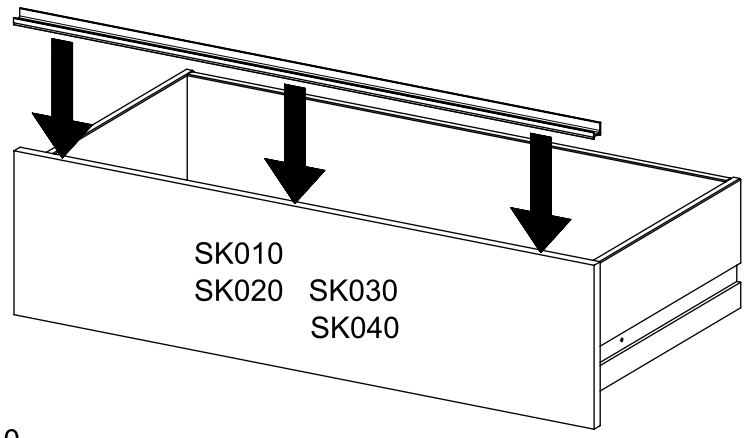


2.

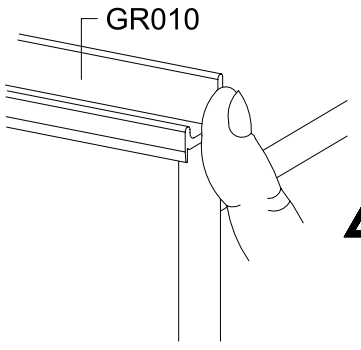


GR010

3.



SK010  
SK020 SK030  
SK040



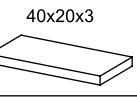
GR010



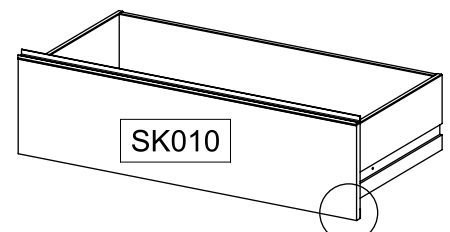
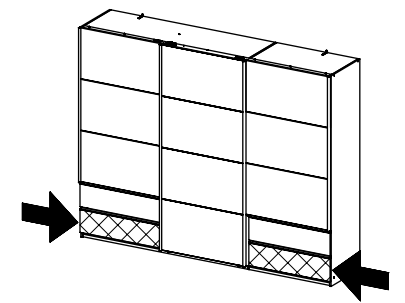
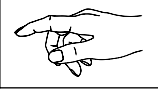
6

2x

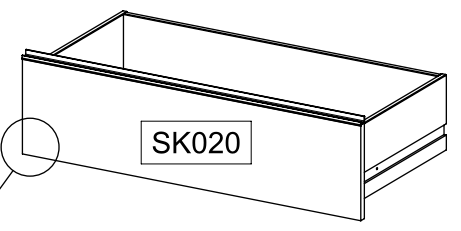
127



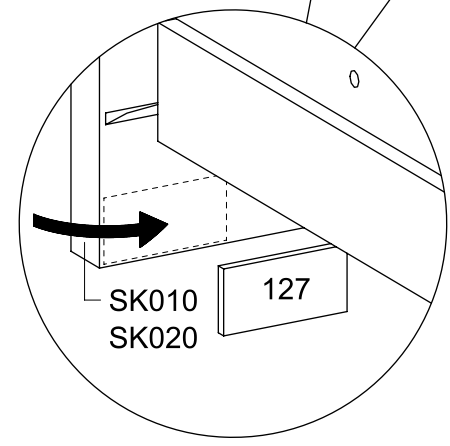
40x20x3



SK010

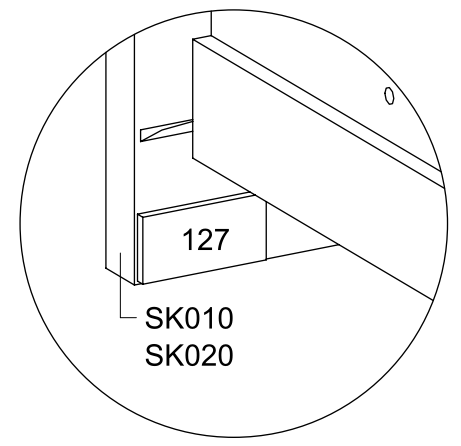


SK020



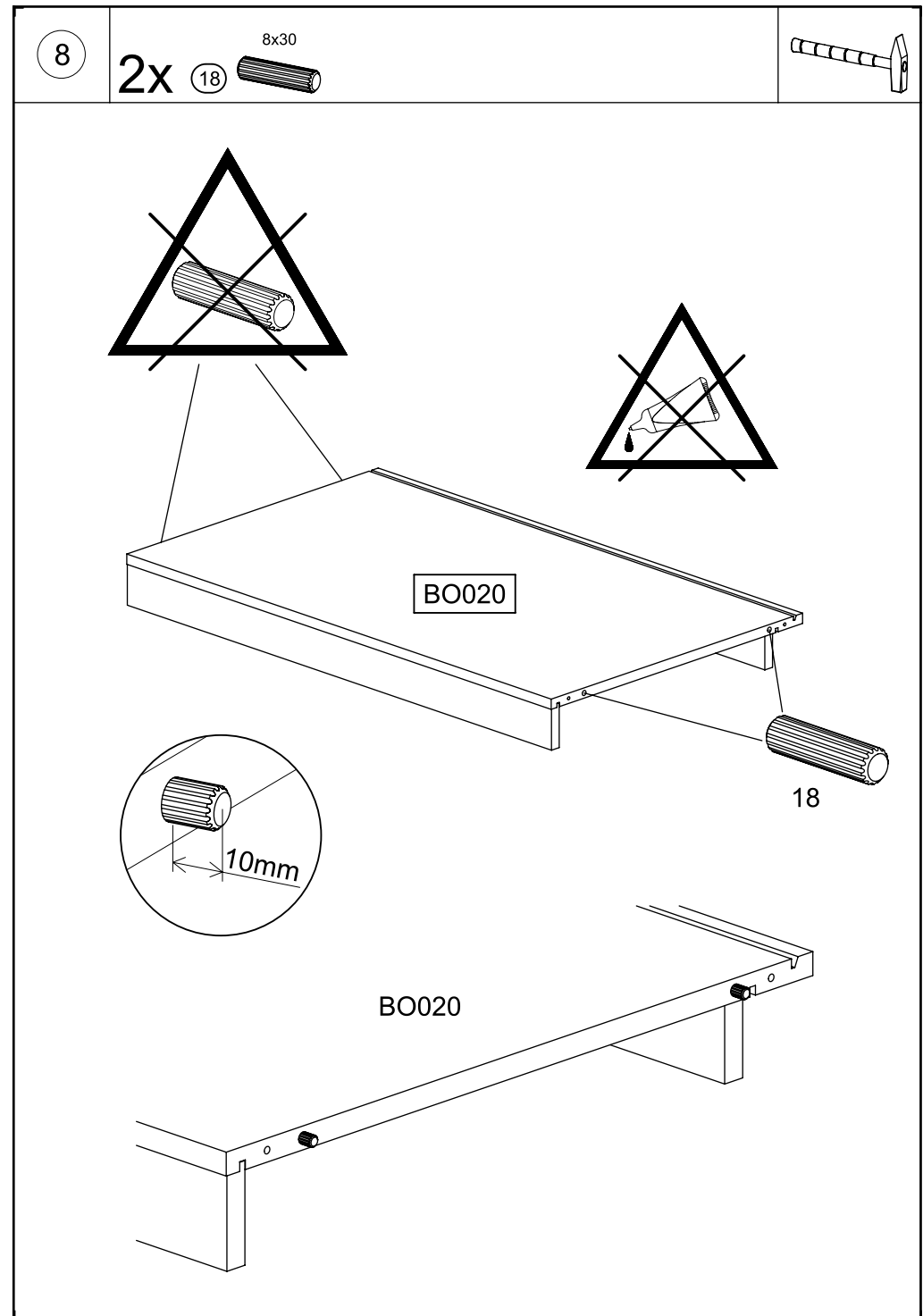
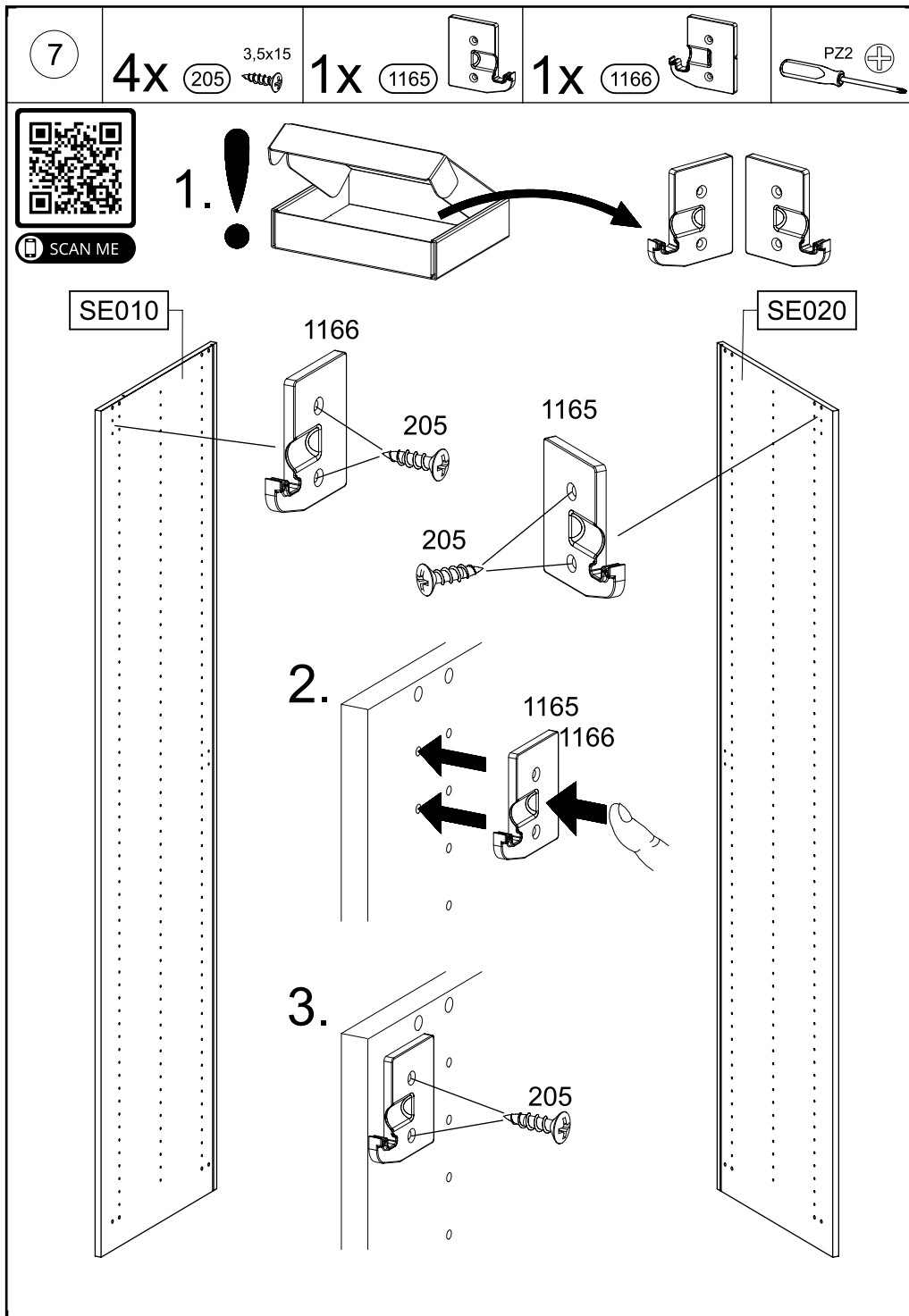
SK010  
SK020

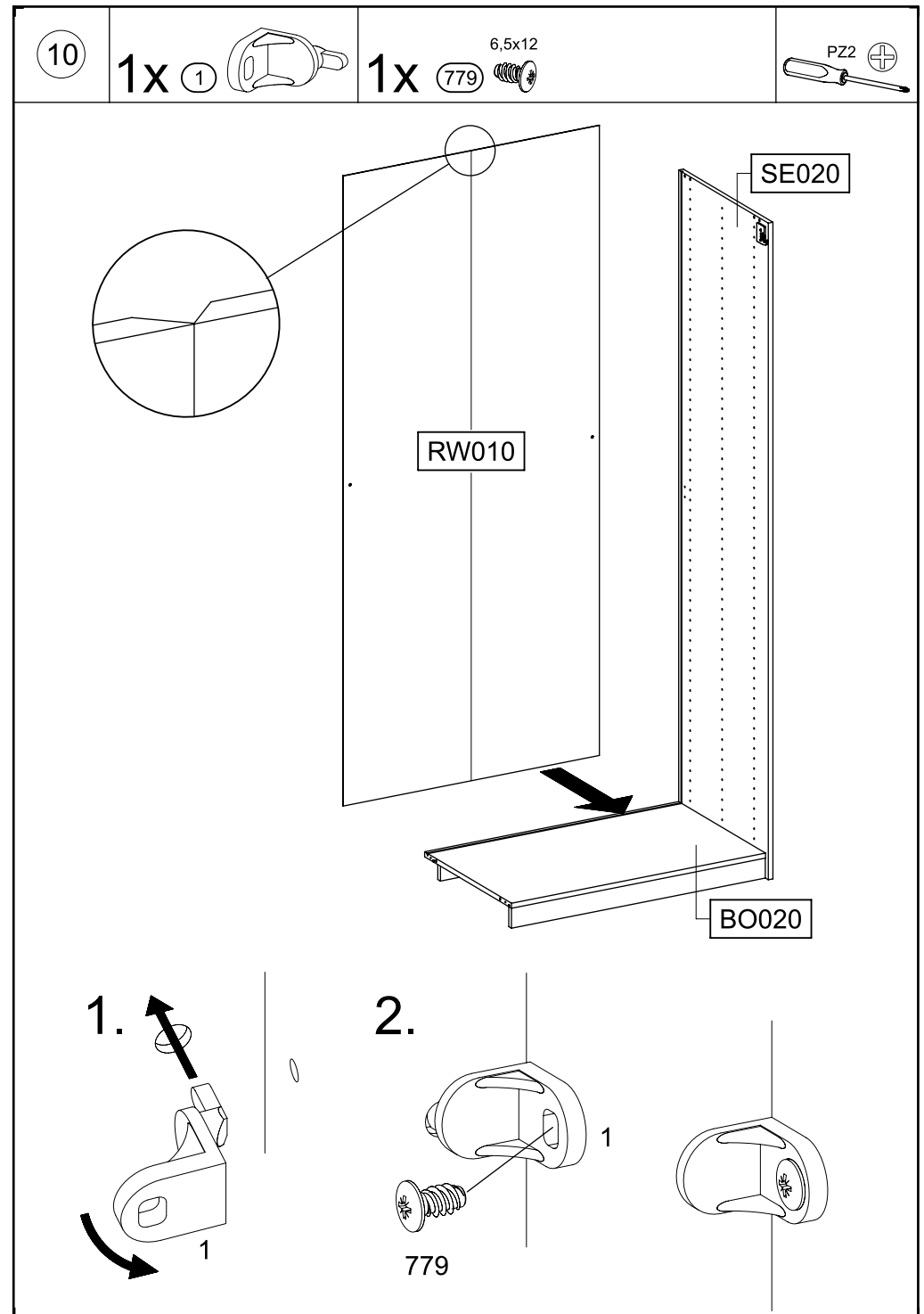
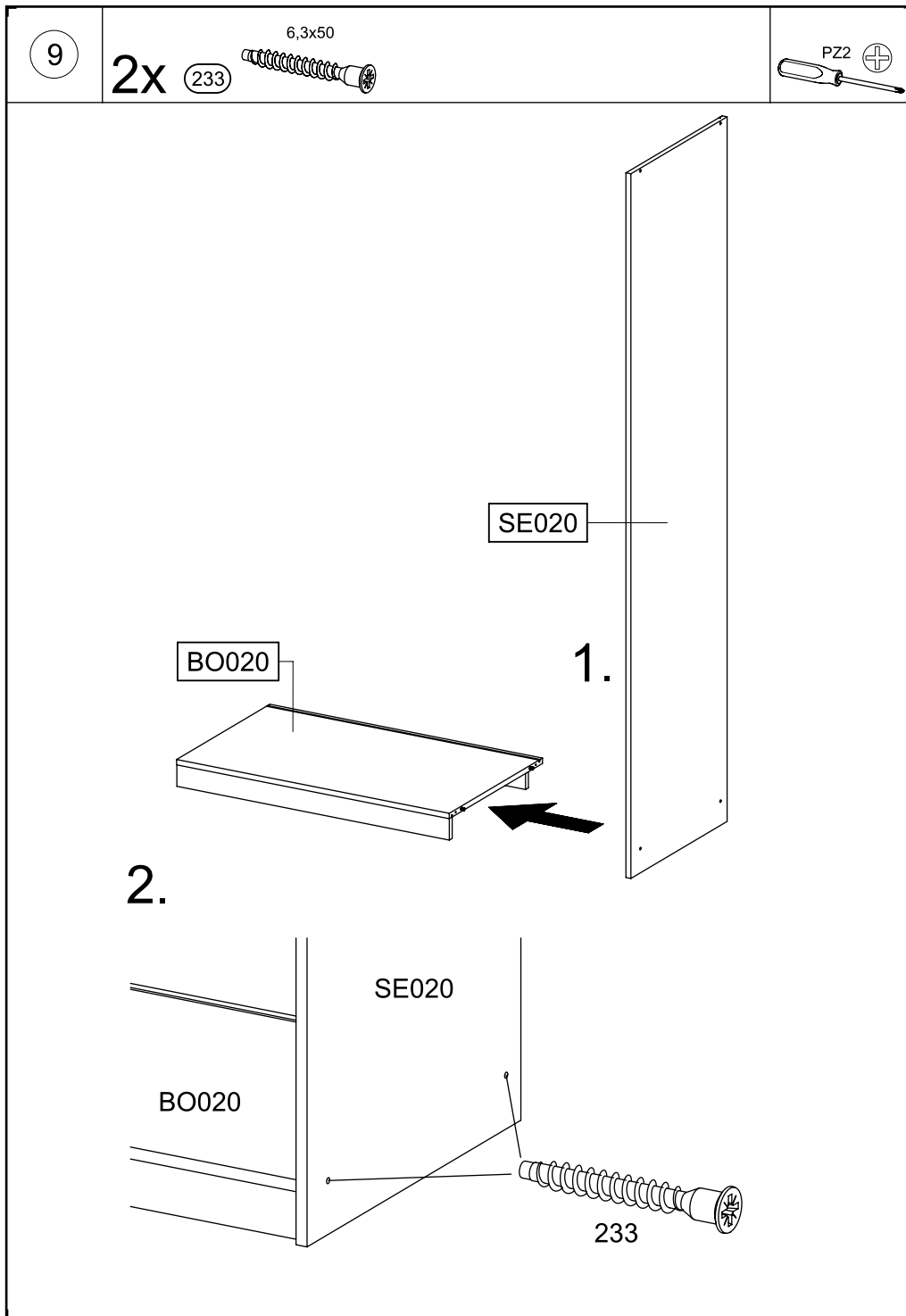
127

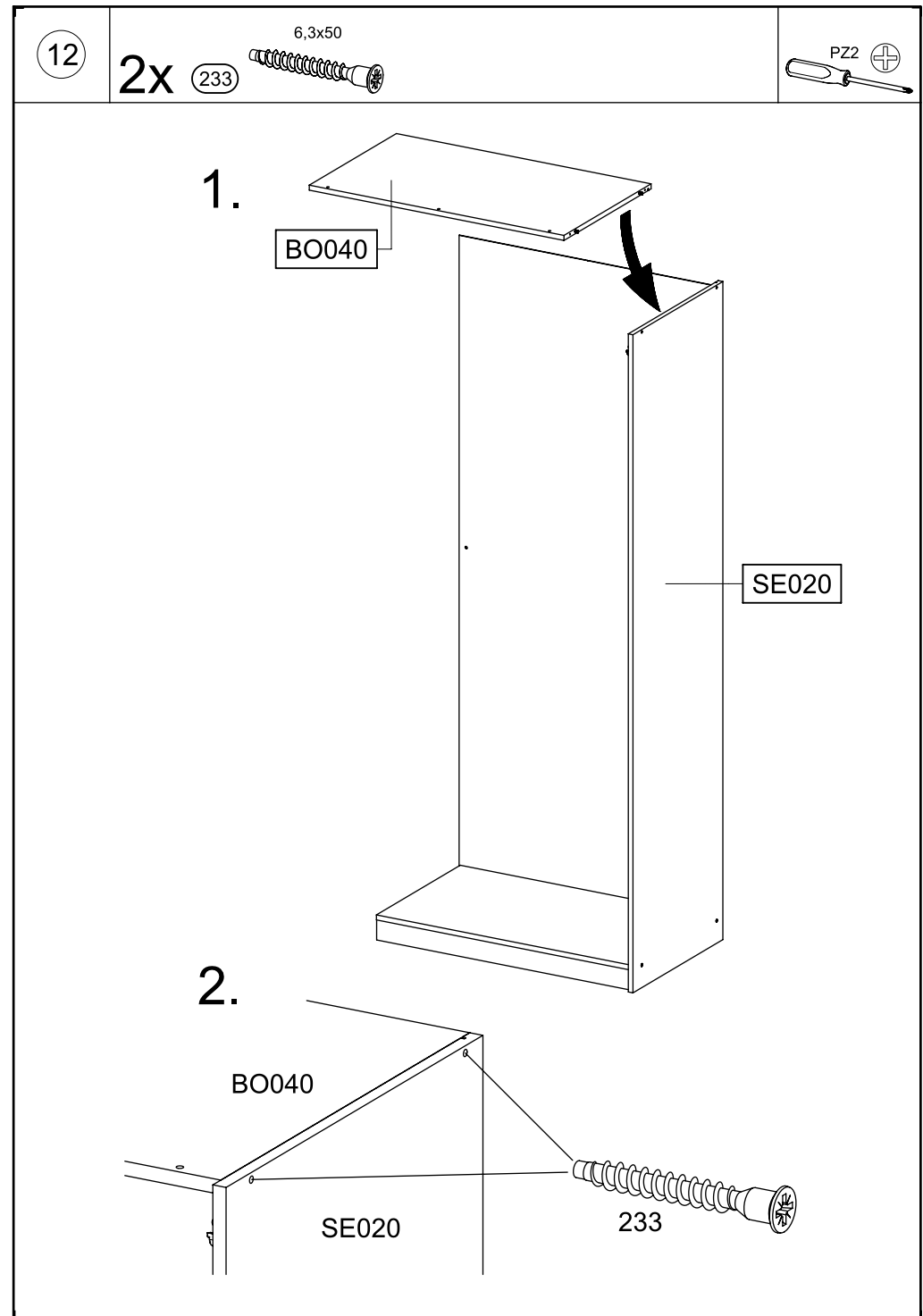
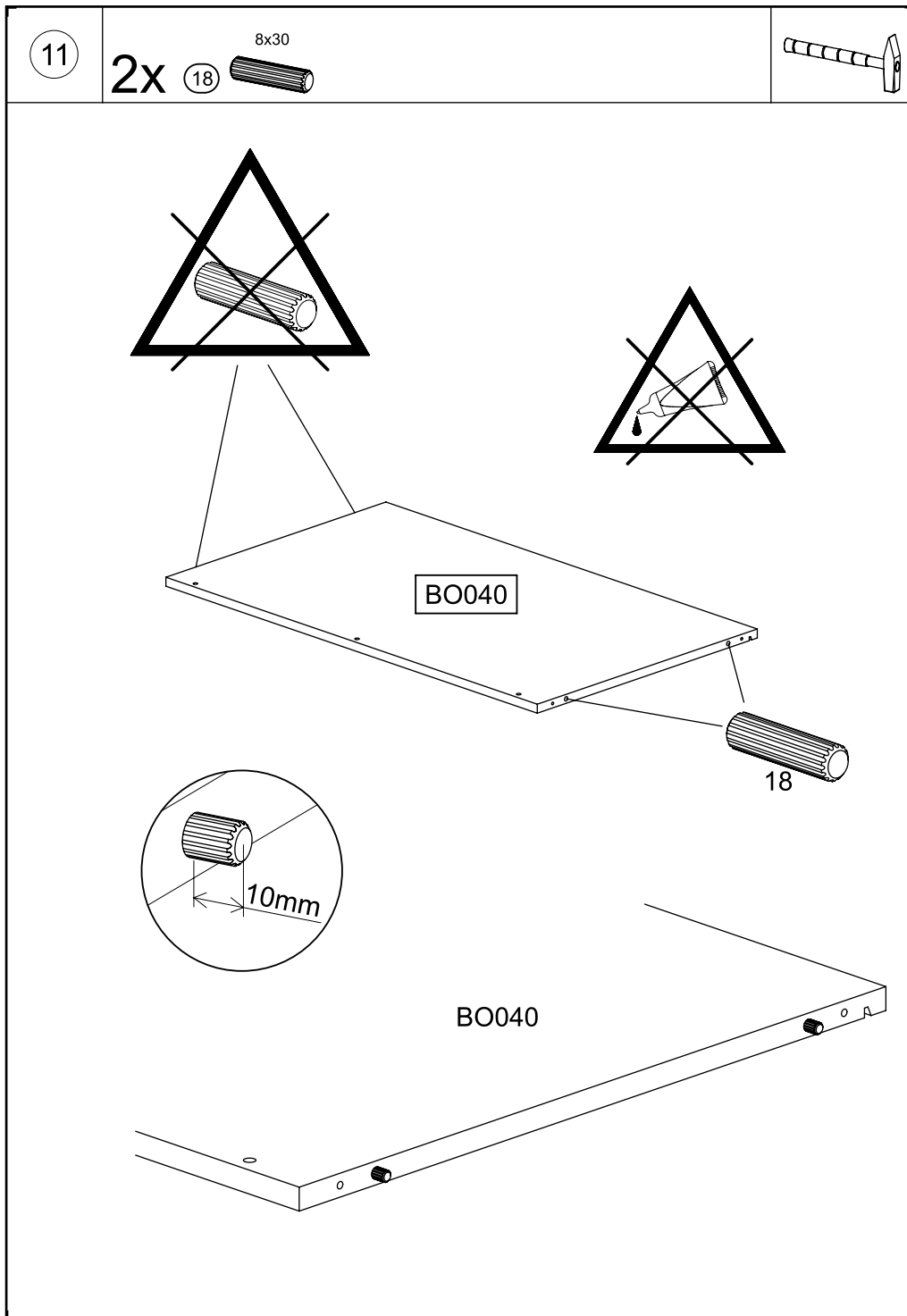


SK010  
SK020

127

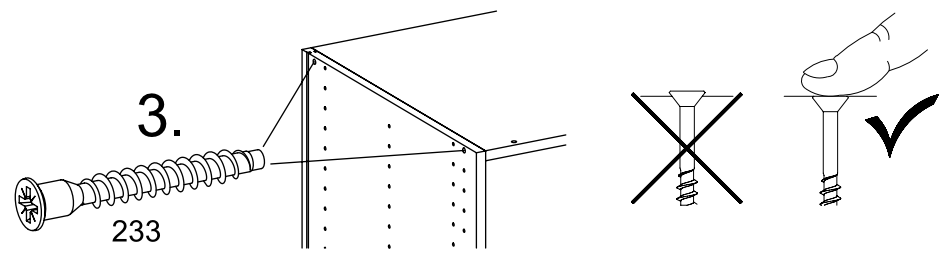
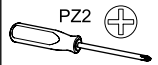
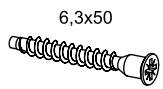






13

4x 233

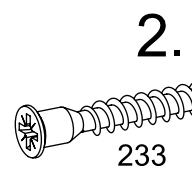


1.

MS020

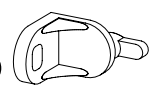
BO040

BO020

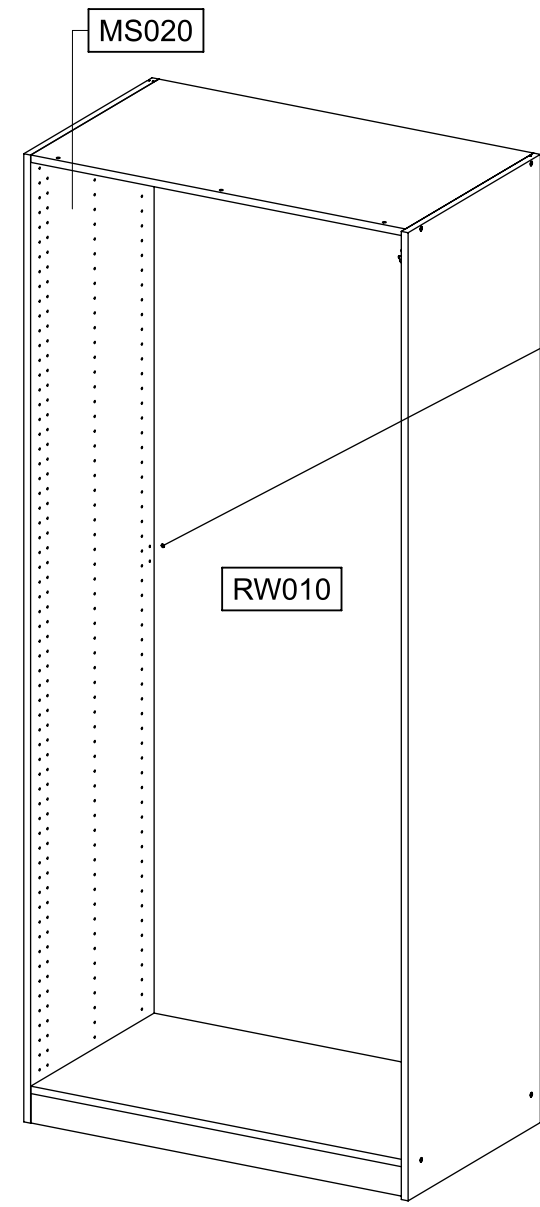
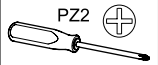


14

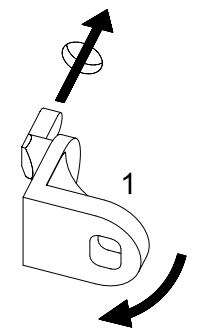
1x 1



1x 779

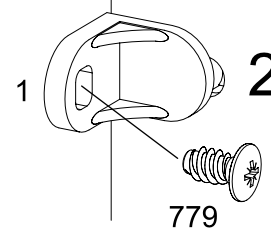


1.

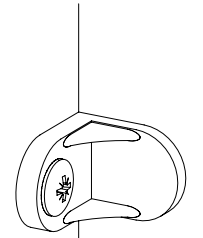


1

2.

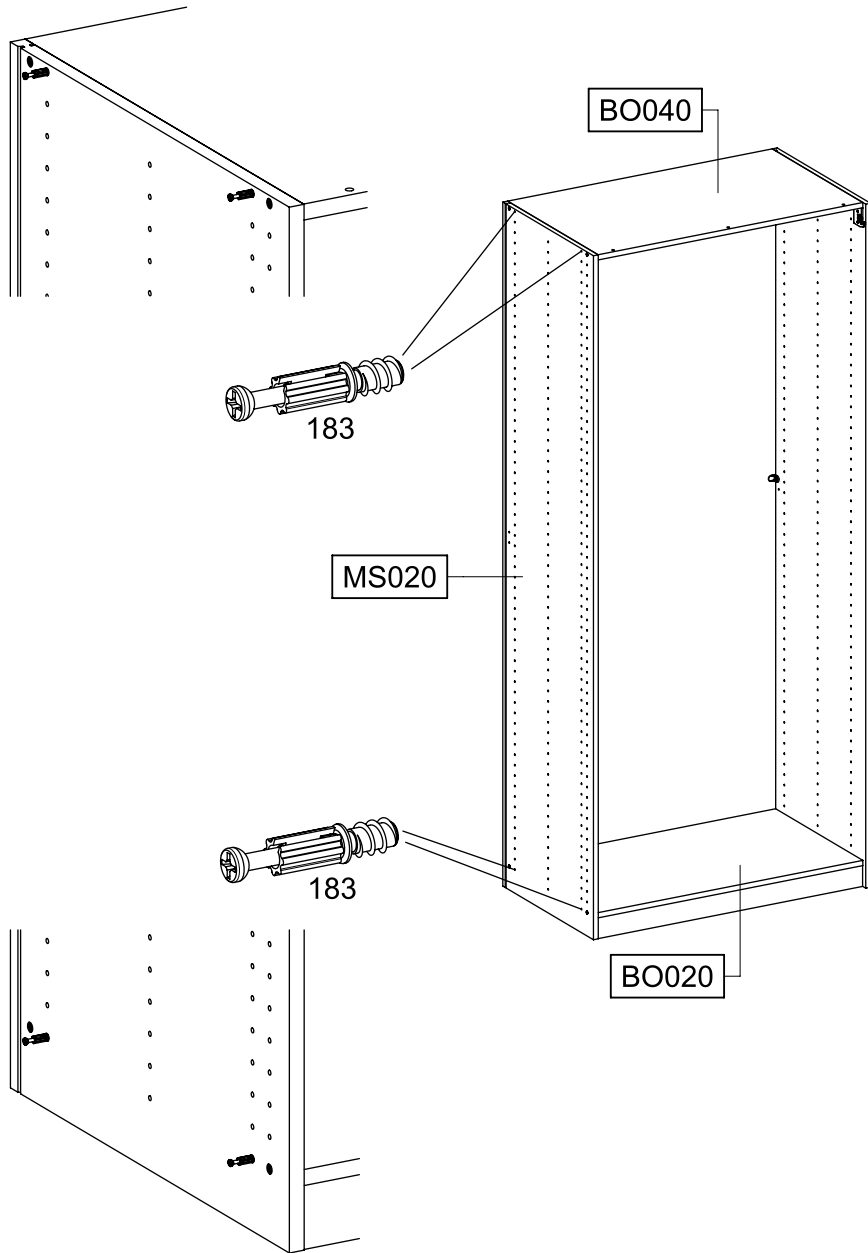
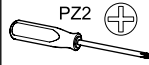


779



15

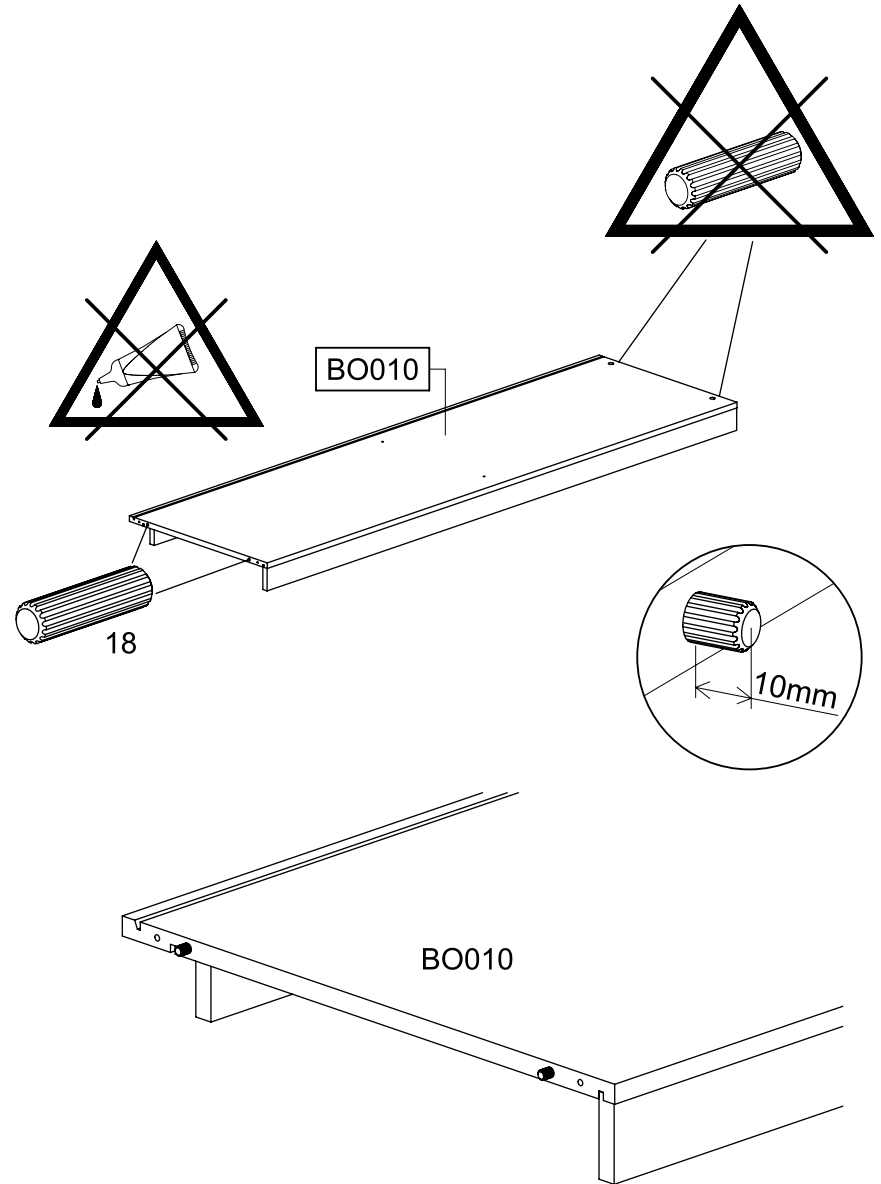
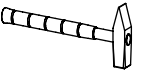
4x 183



16

2x 18

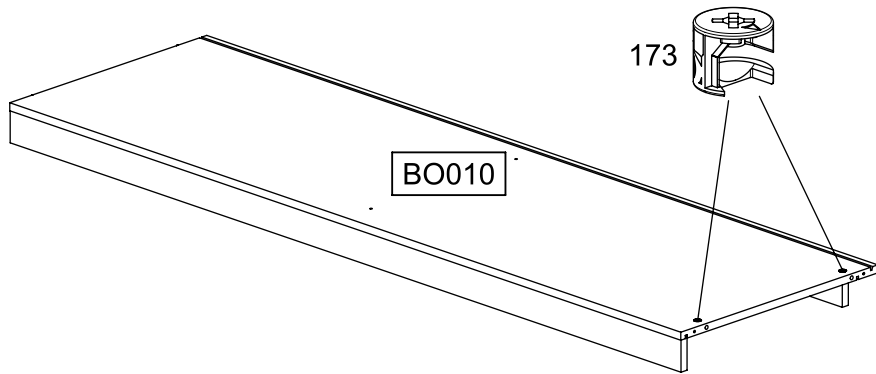
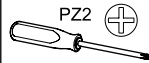
8x30



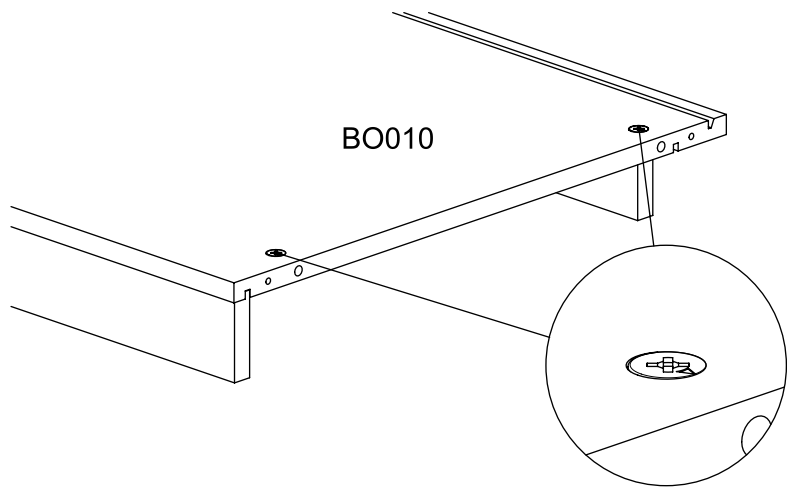
17

2x

173

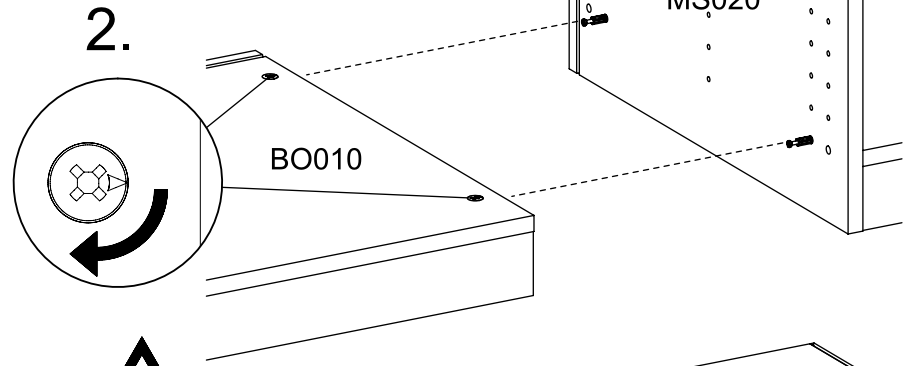
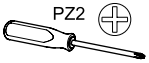


BO010



BO010

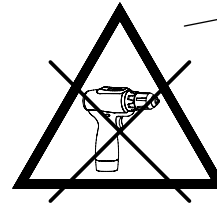
18



2.

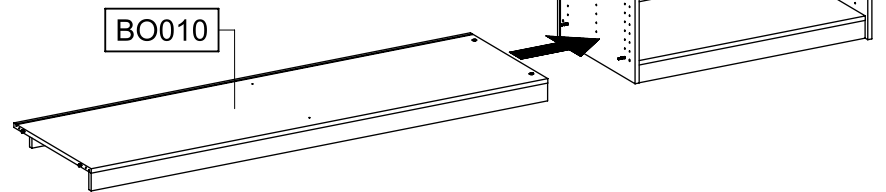
BO010

MS020

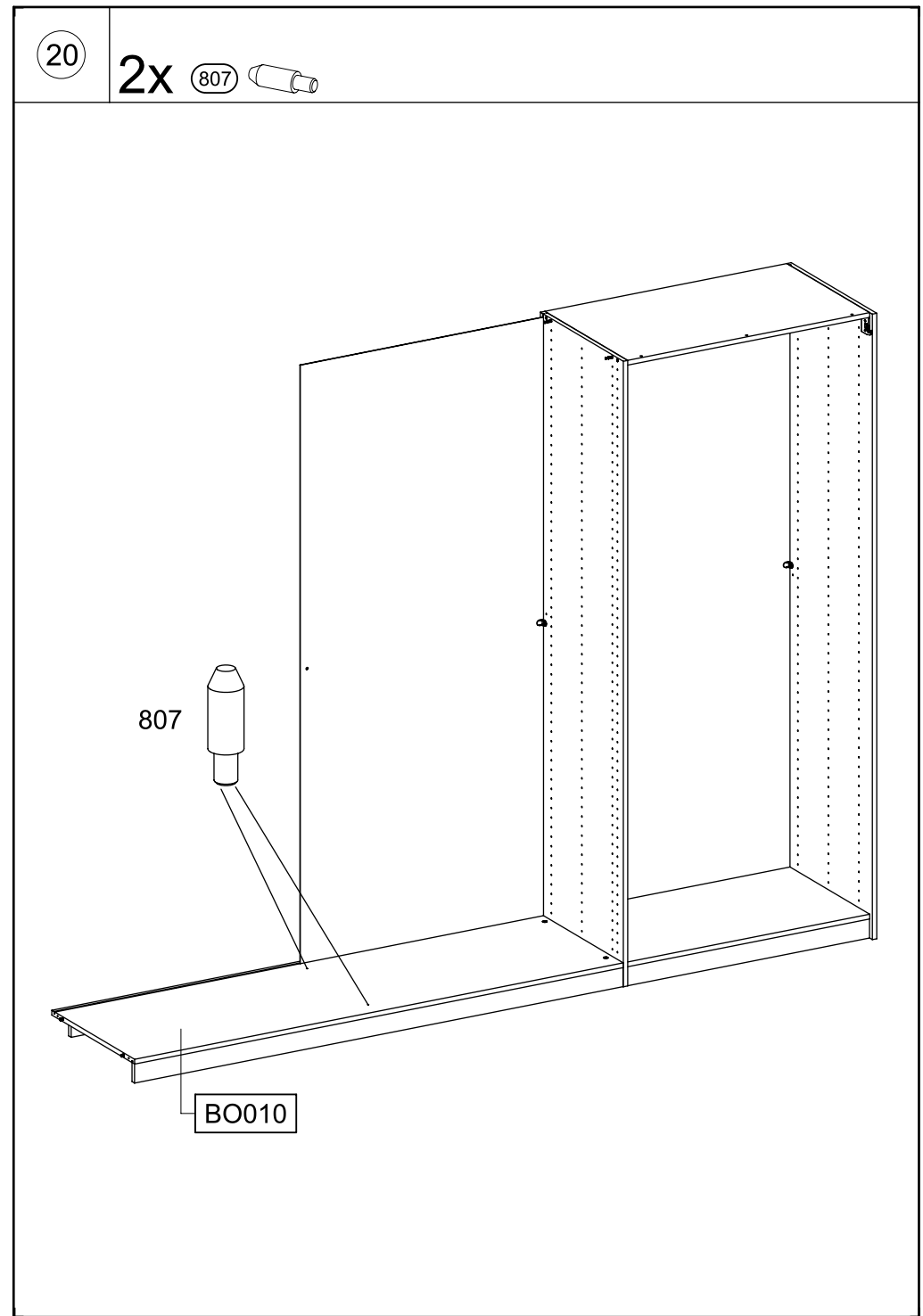
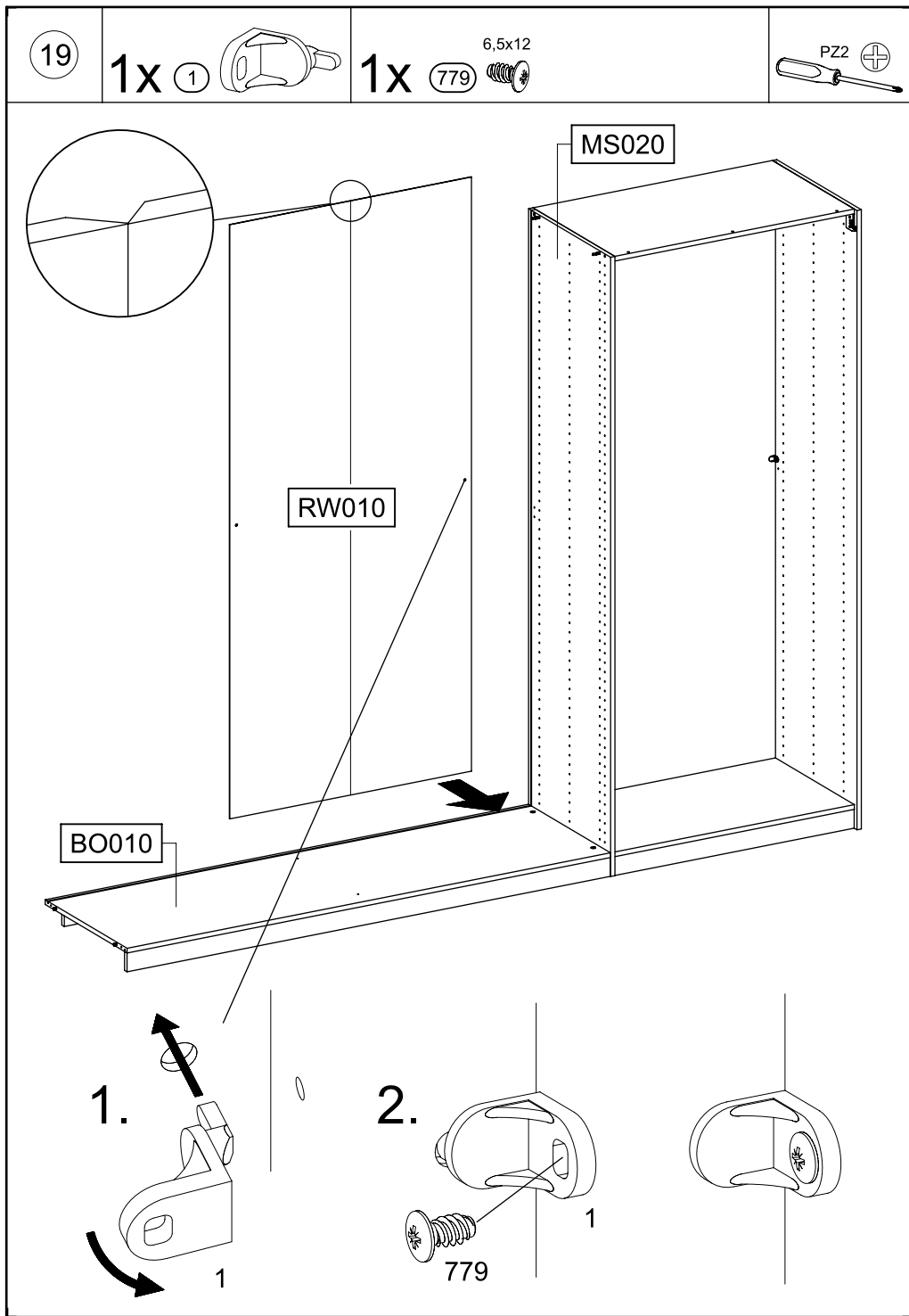


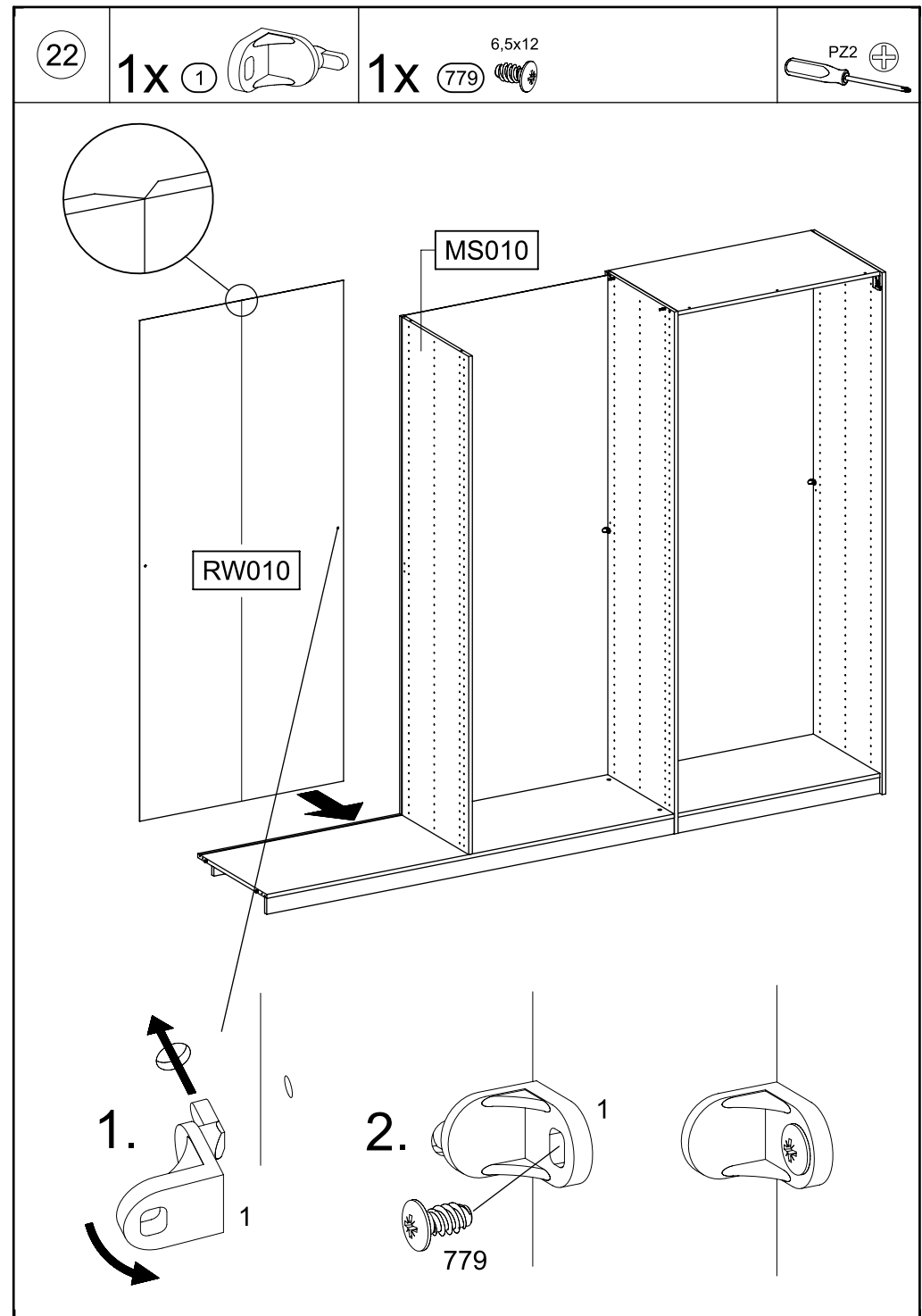
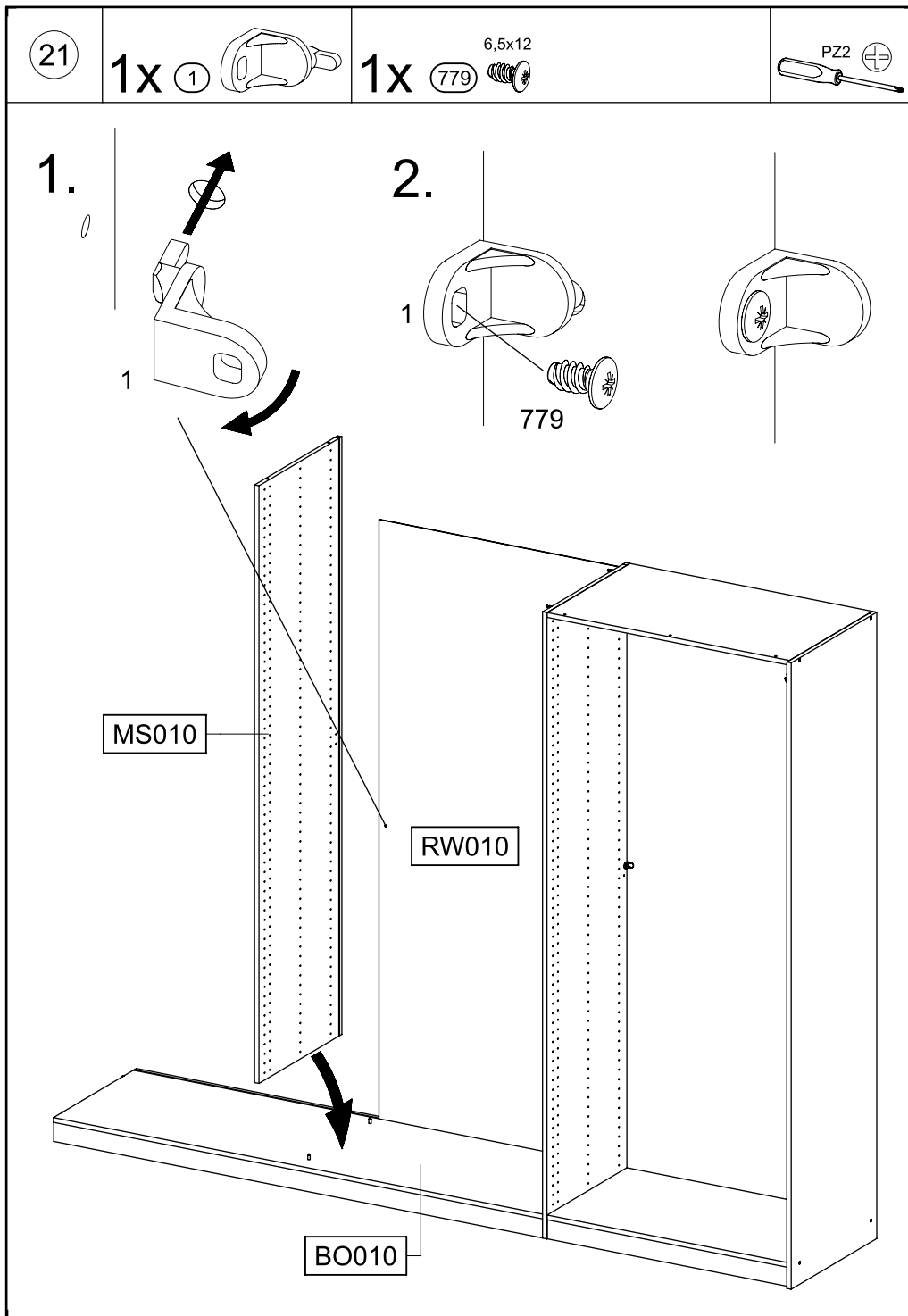
MS020

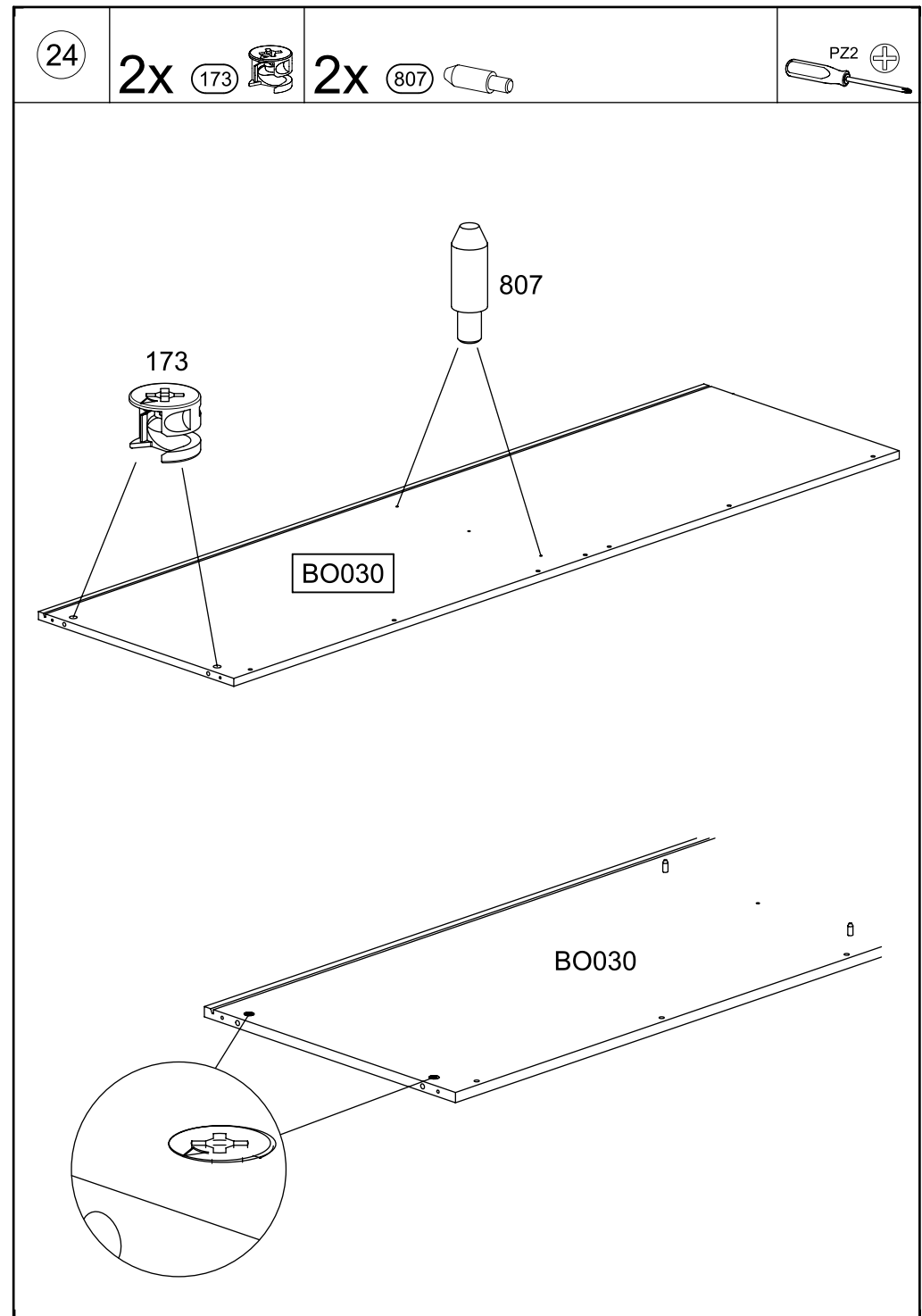
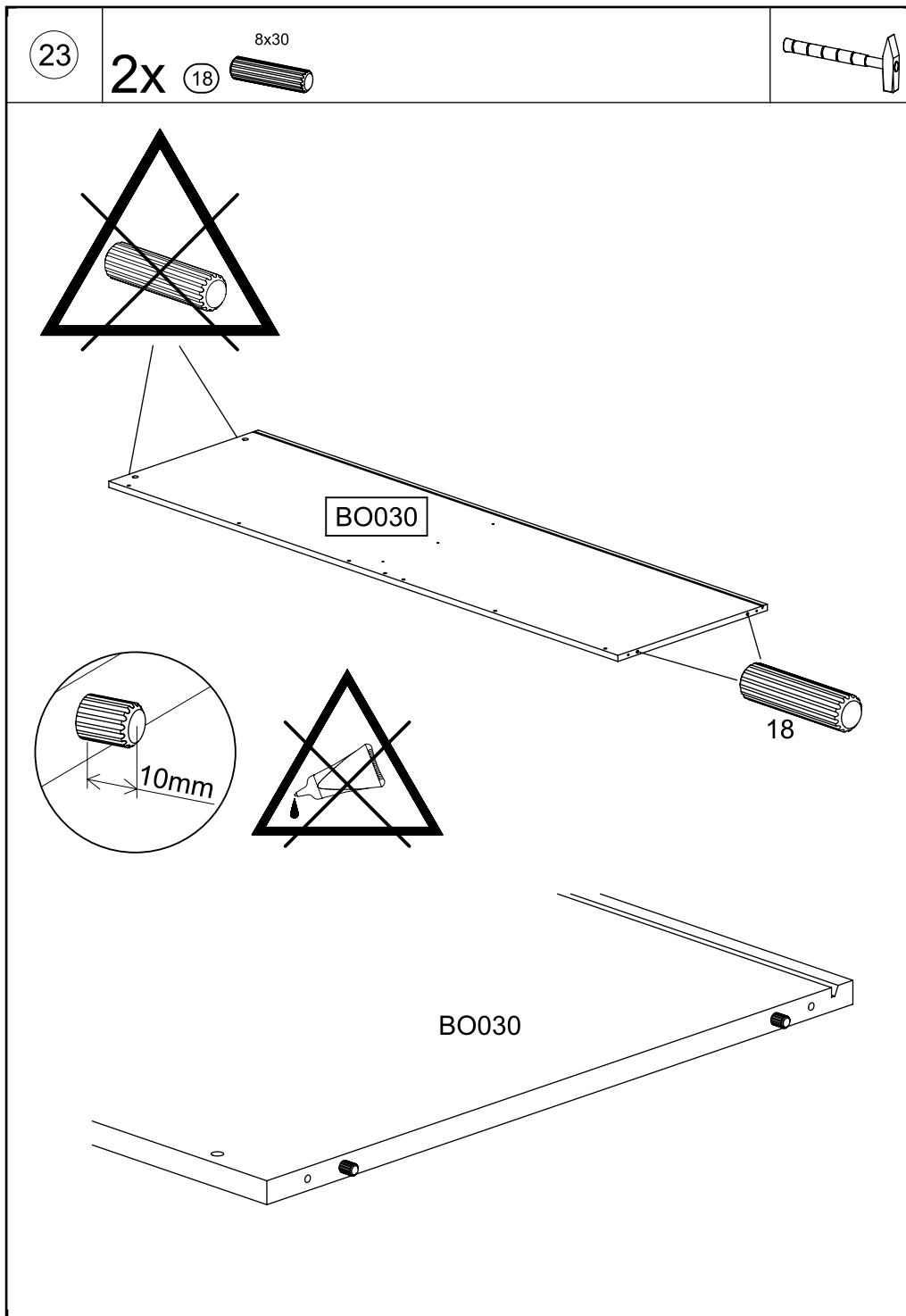
1.



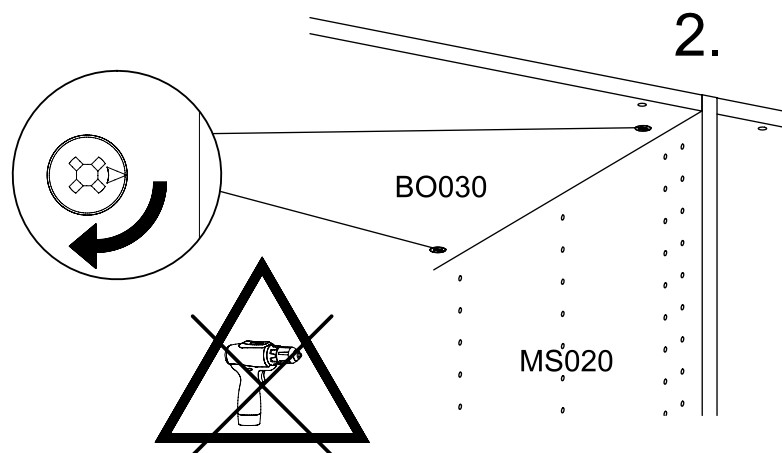
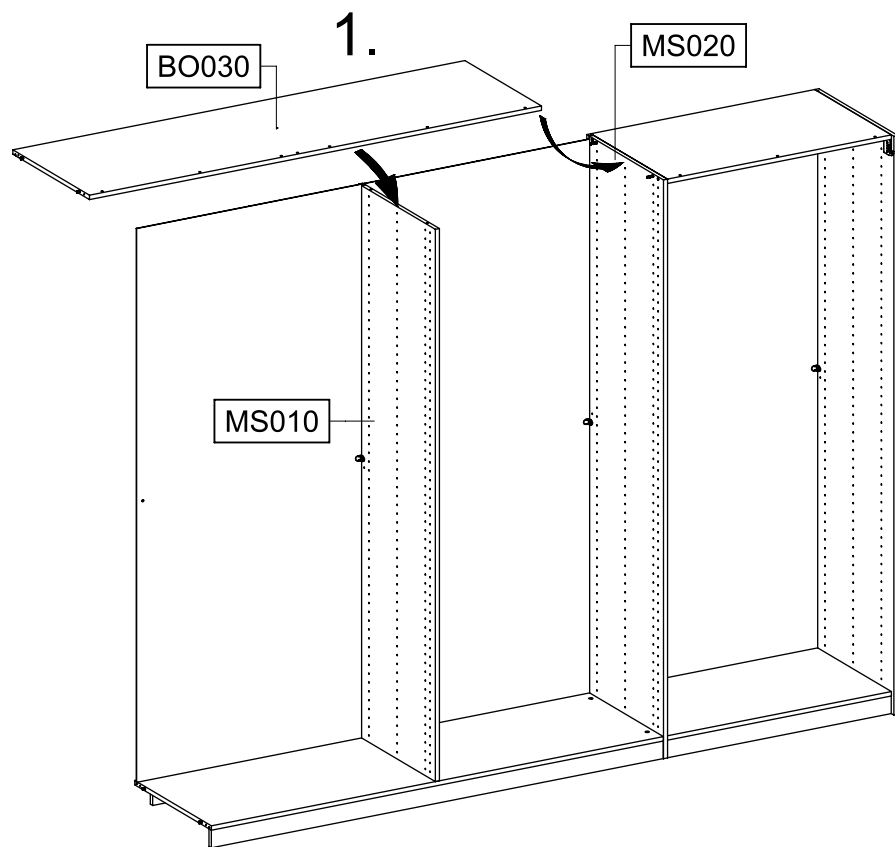
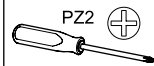
BO010







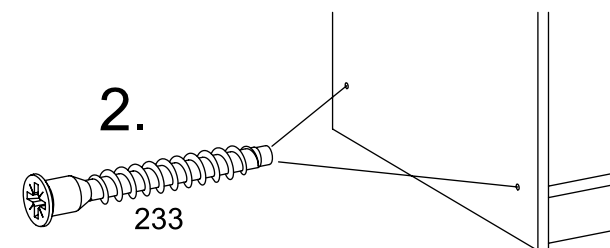
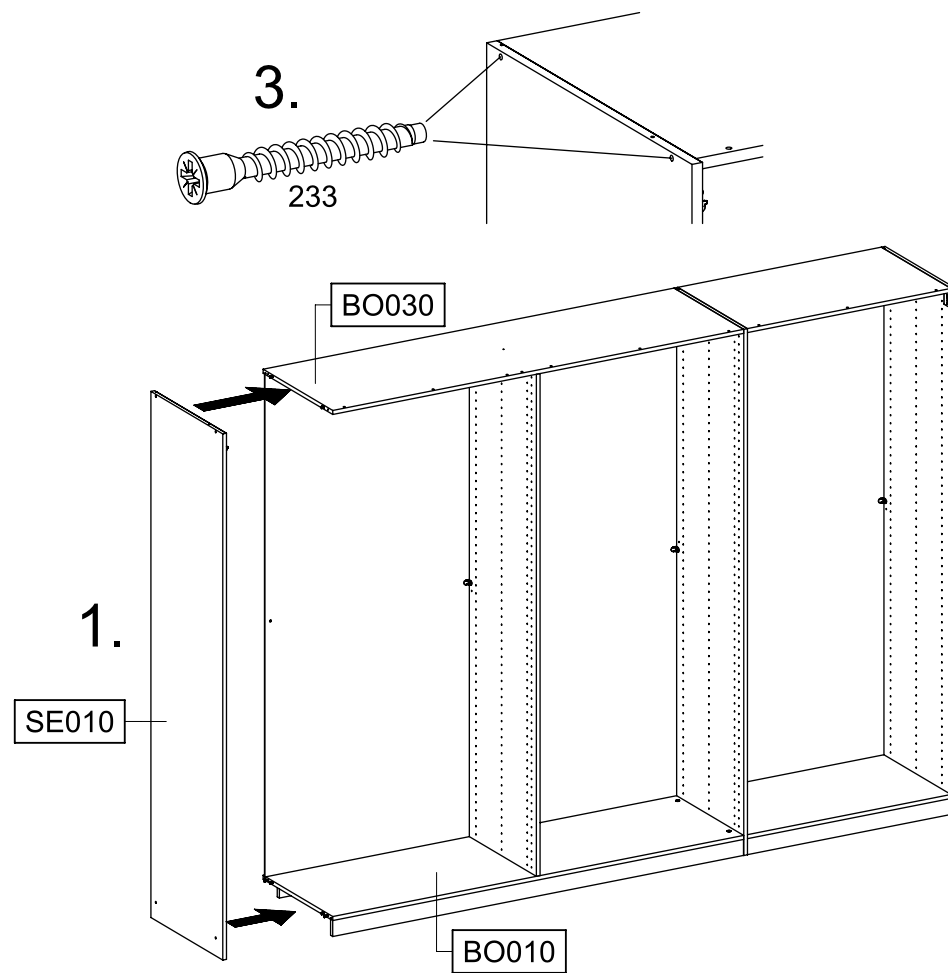
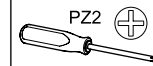
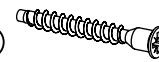
25



26

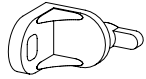
4x 233

6,3x50



27

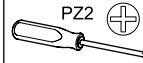
1x ①



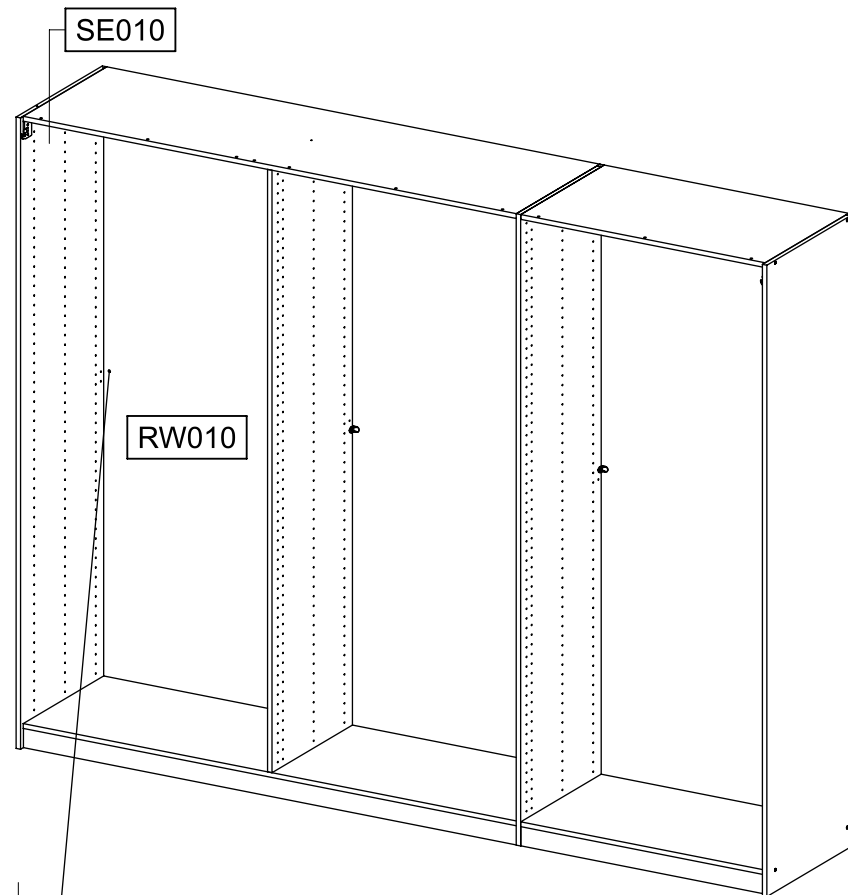
1x ②

779

6,5x12

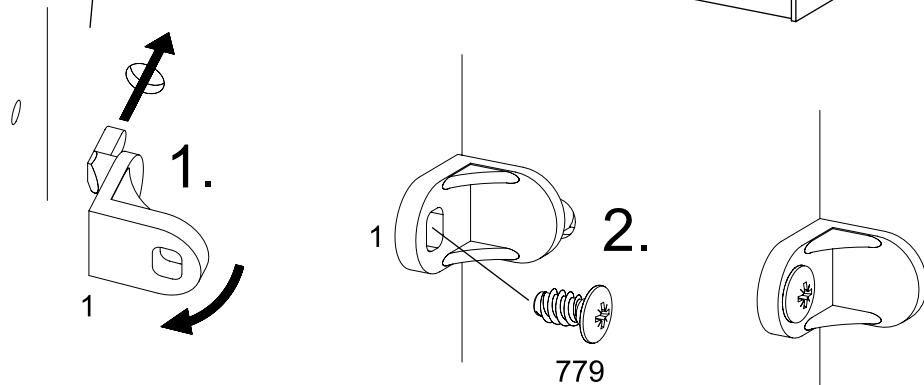


PZ2



SE010

RW010



1.

1

2.

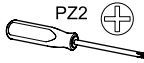
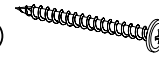
779

28

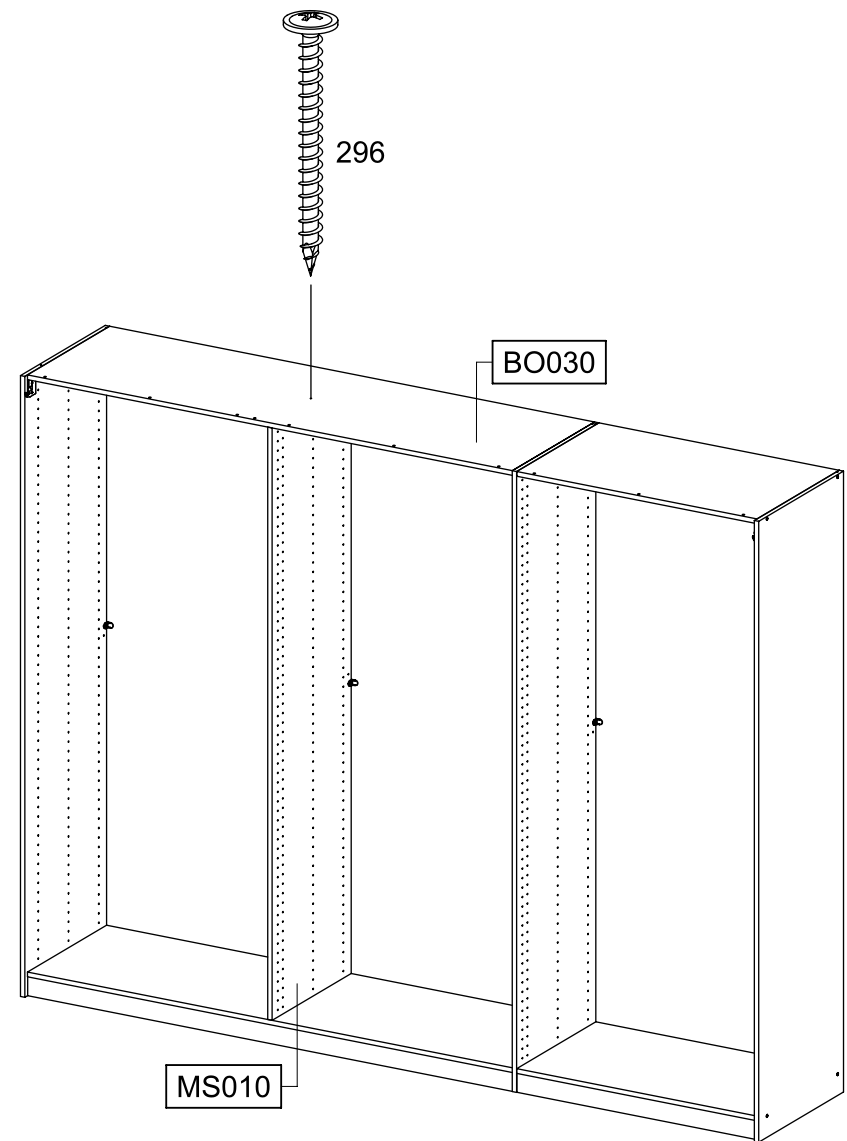
1x ③

296

4,5x50



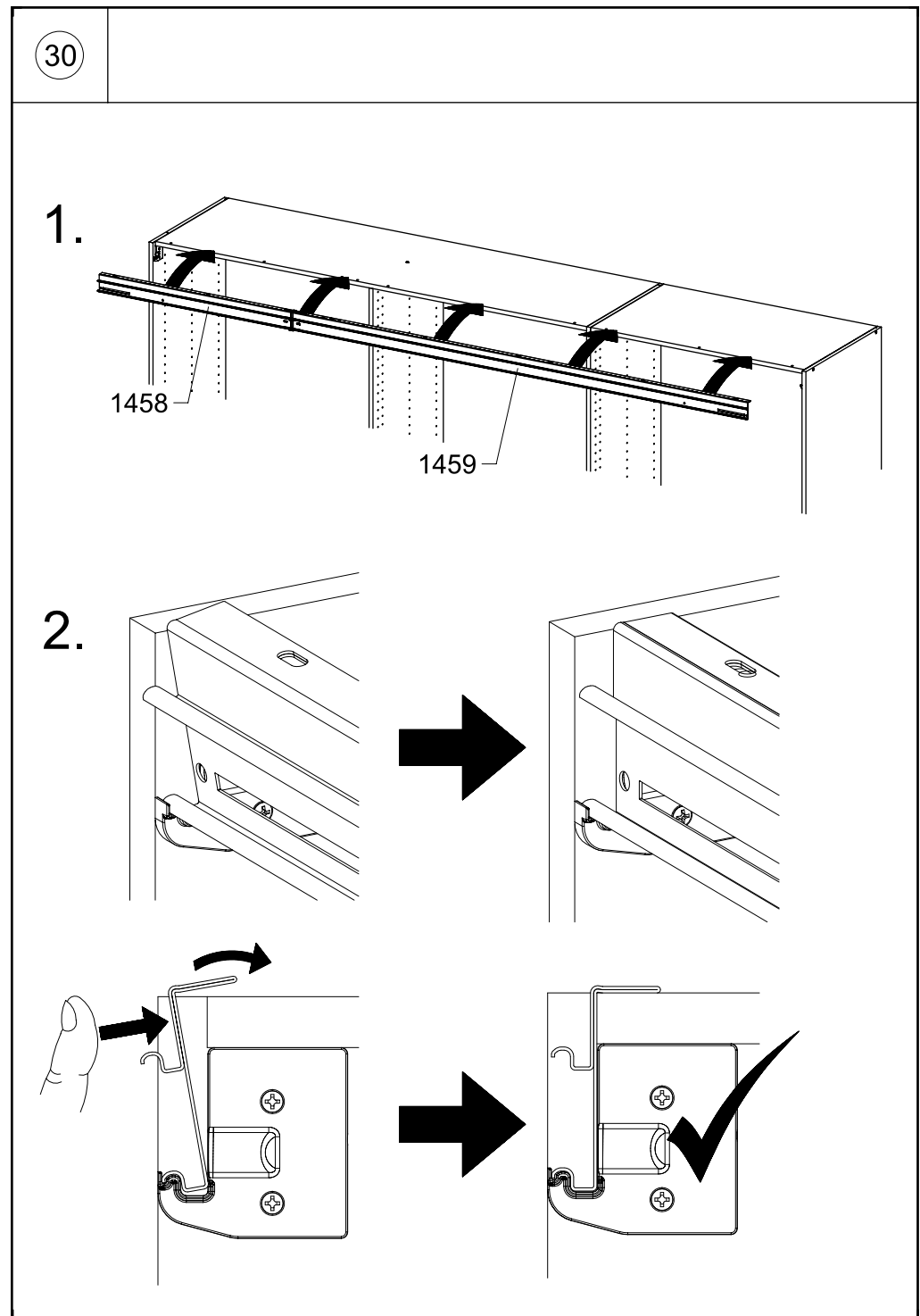
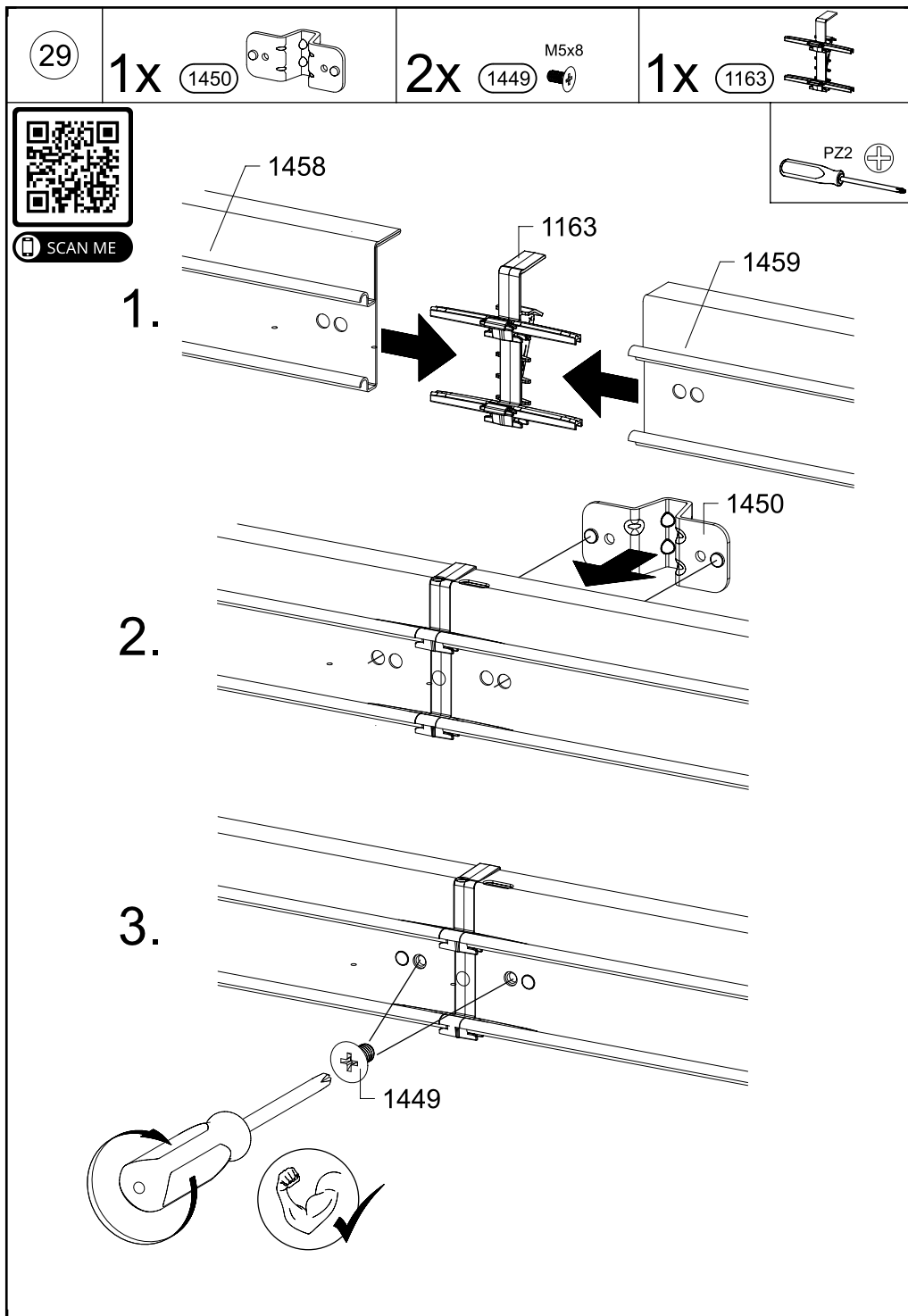
PZ2

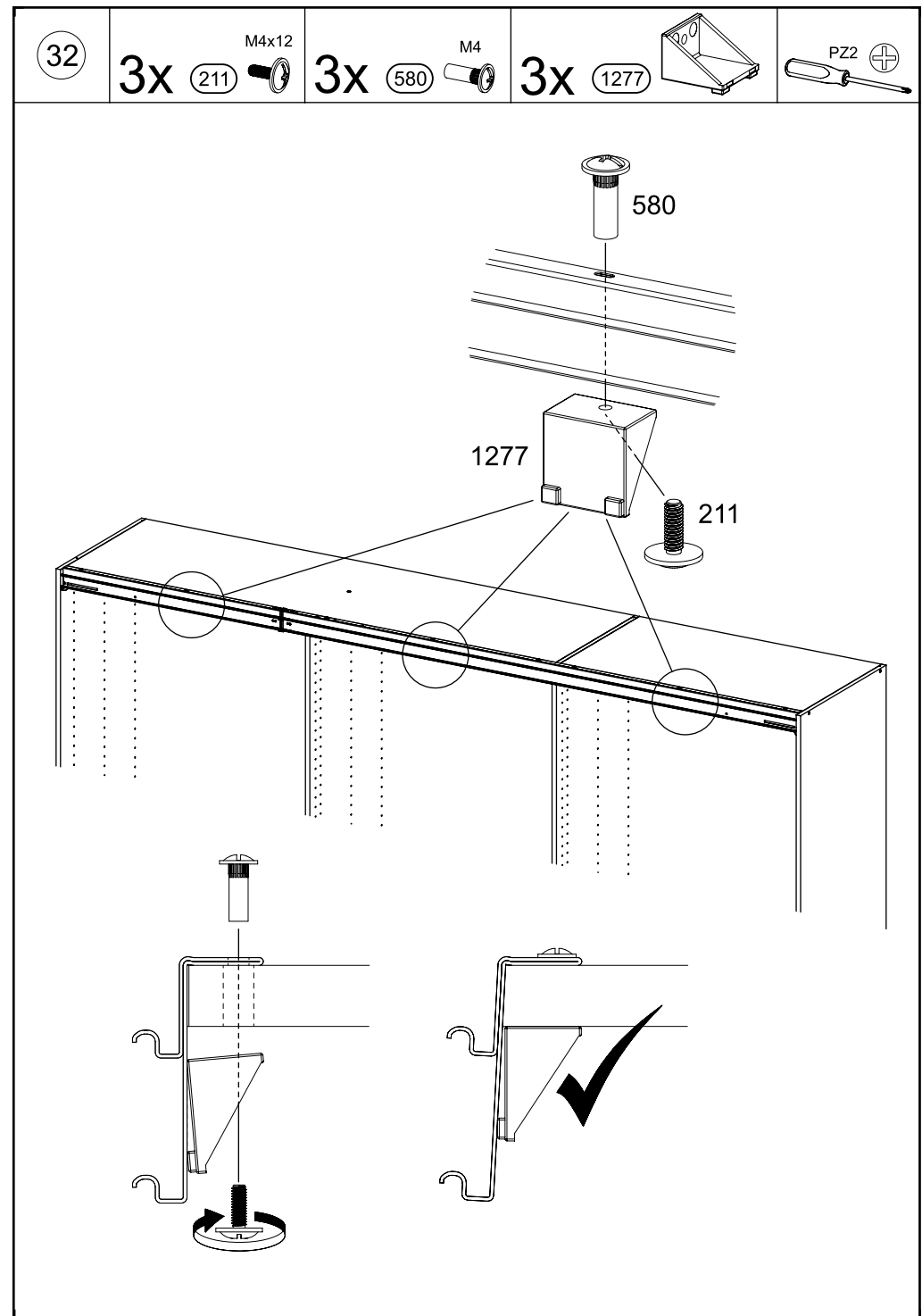
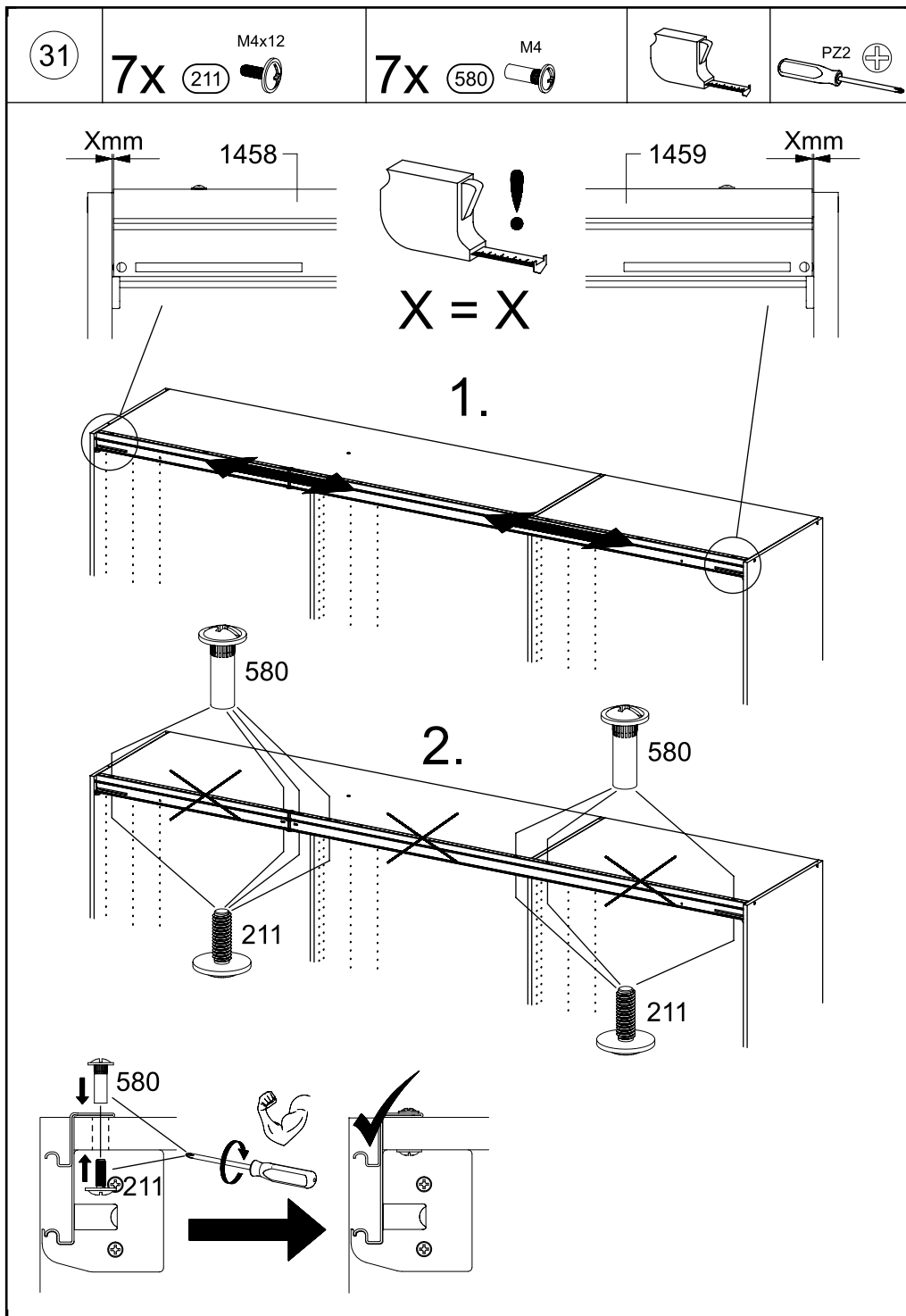


296

BO030

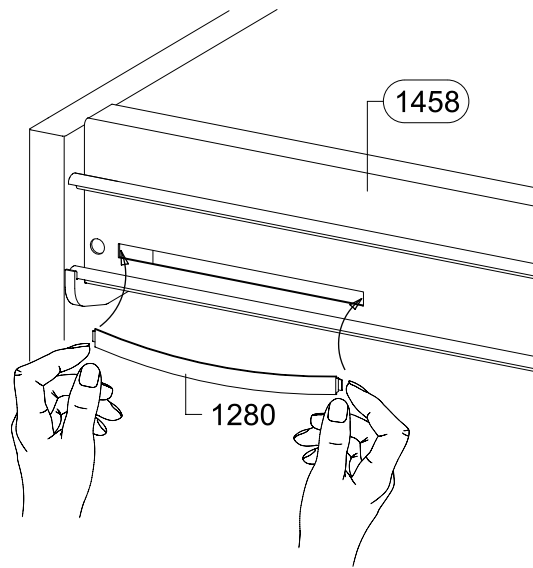
MS010



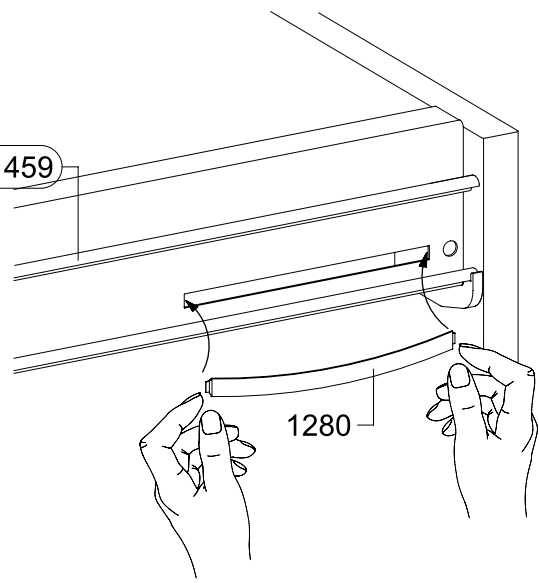


33

2x 1280



1459



34

2x 1167



2x 1168



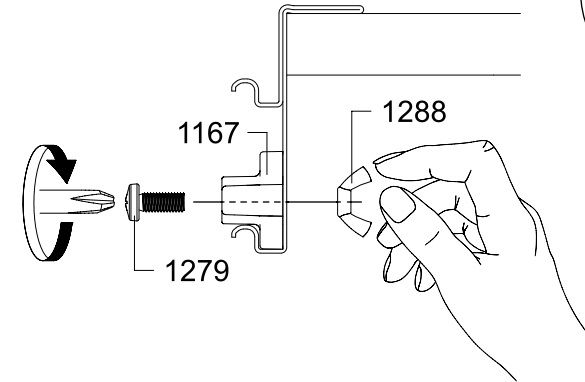
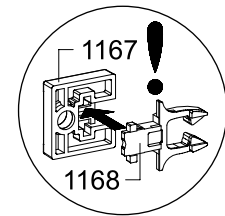
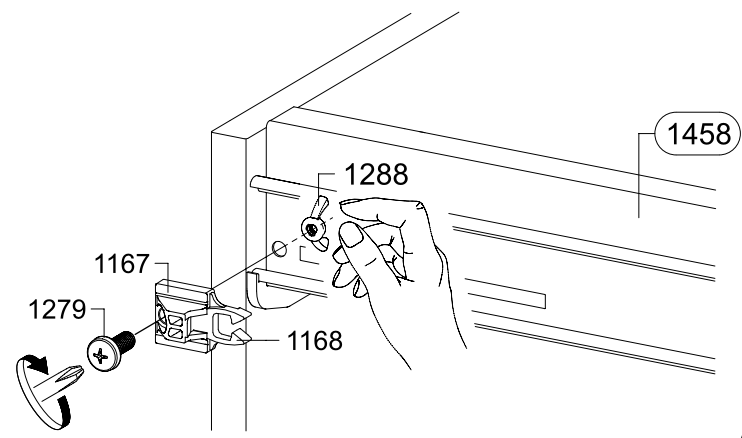
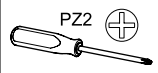
2x 1279

M5x12

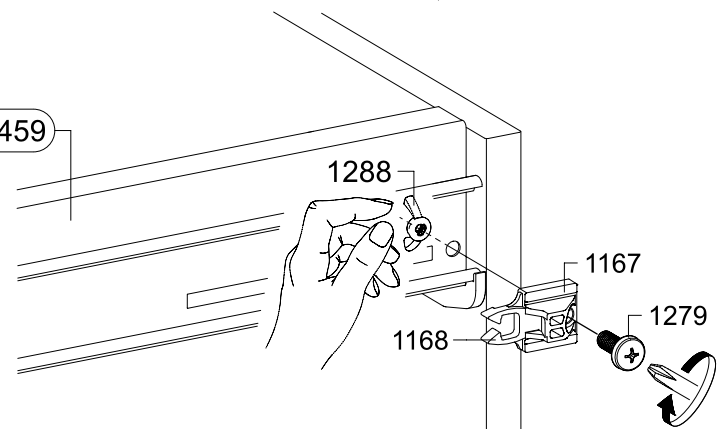


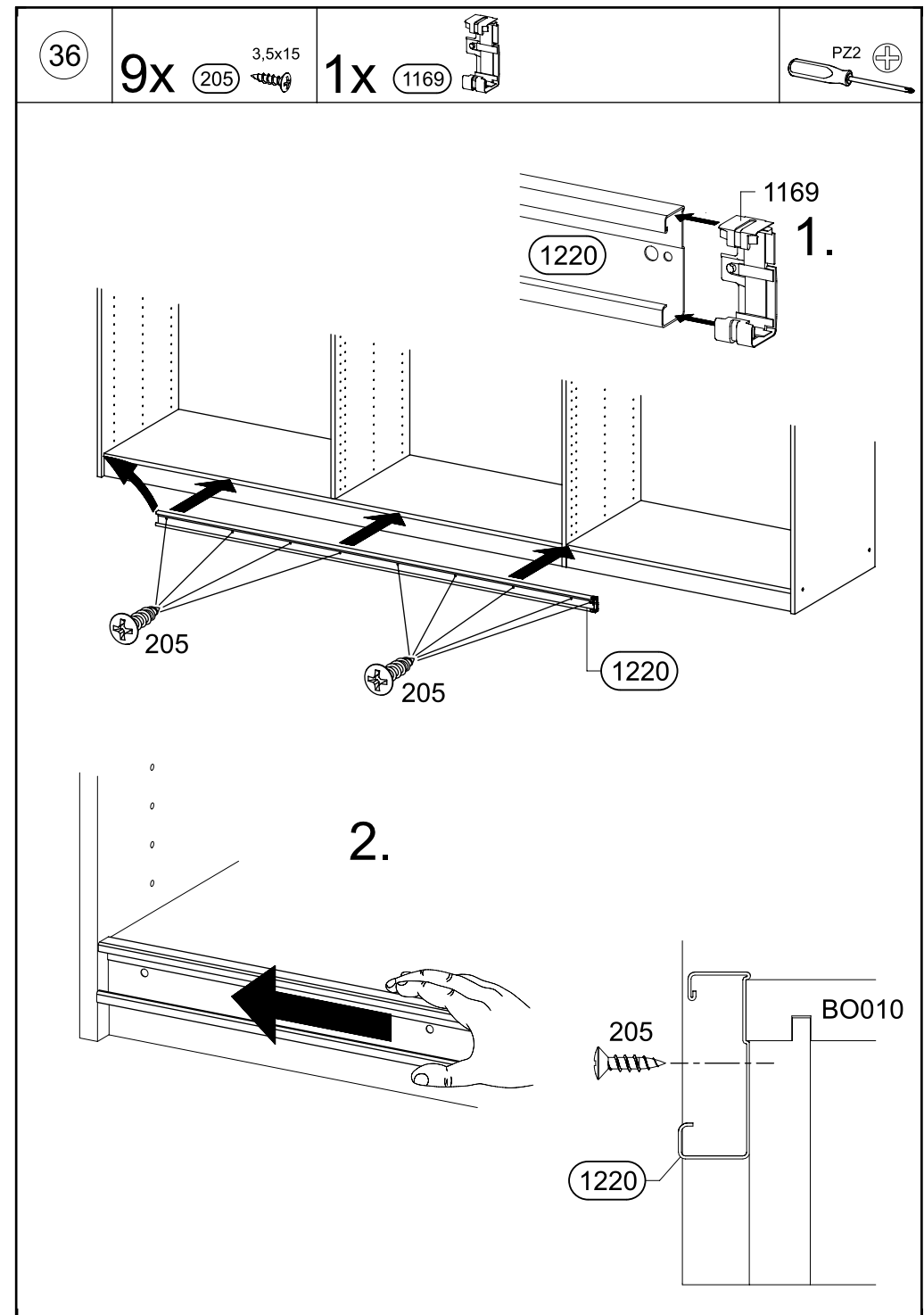
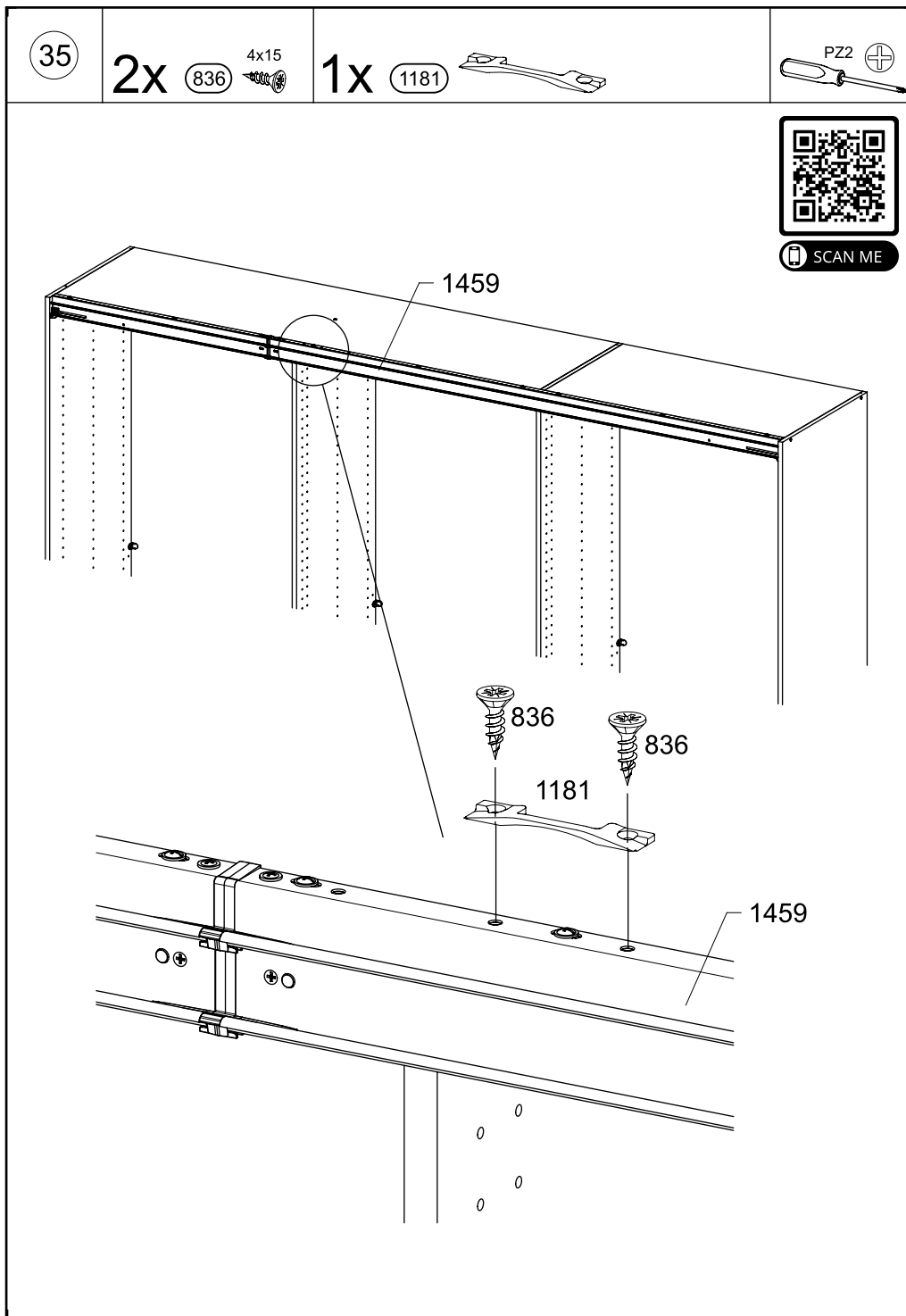
2x 1288

M5



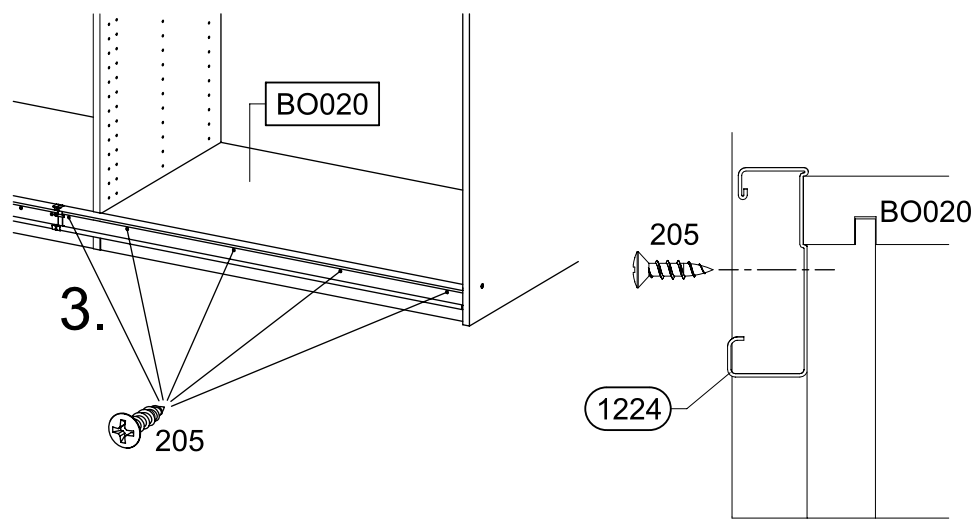
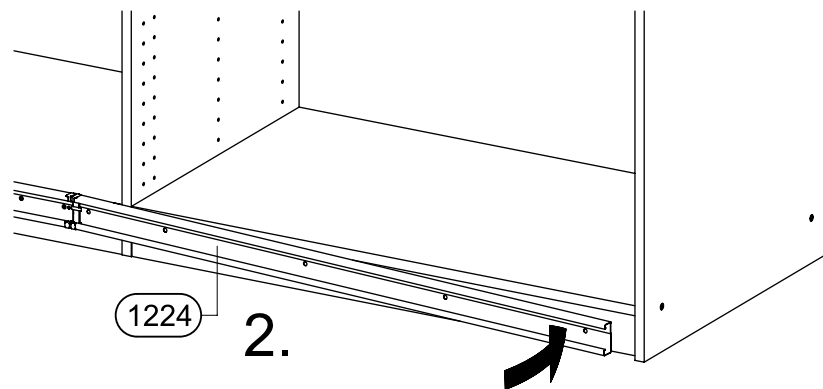
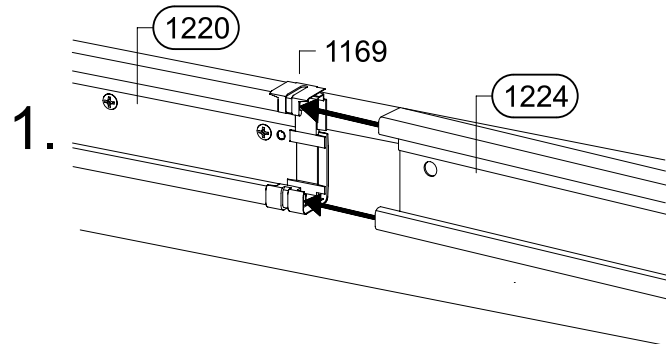
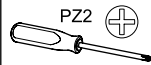
1459





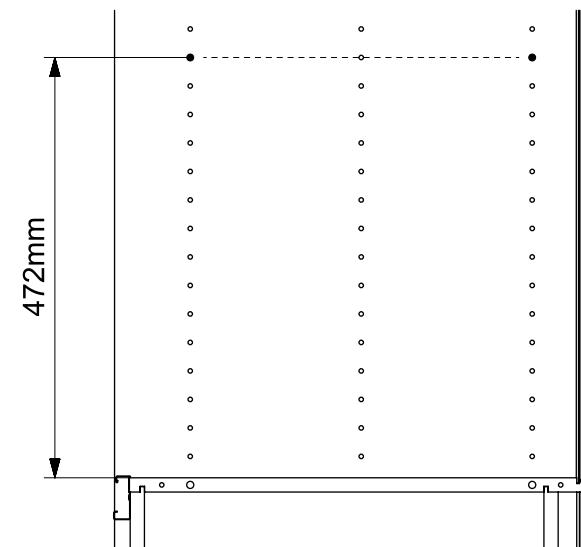
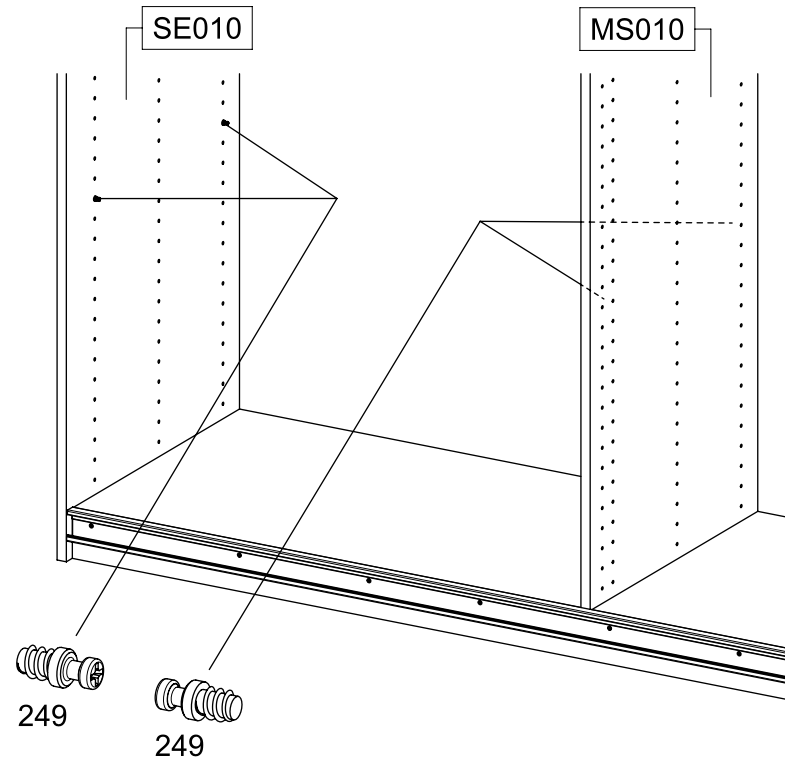
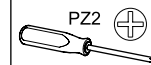
37

5x 3,5x15  
205



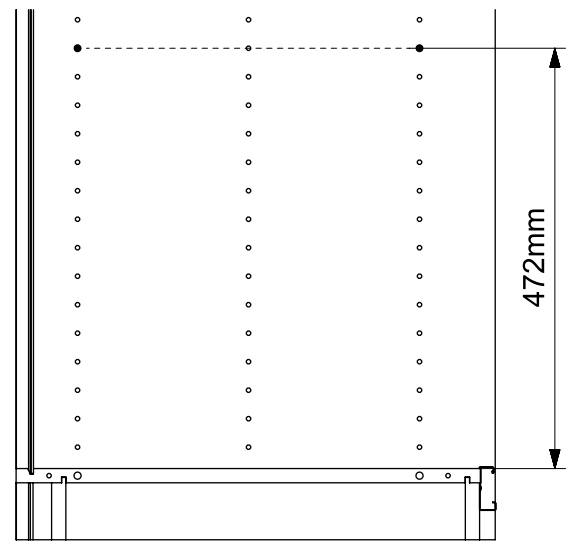
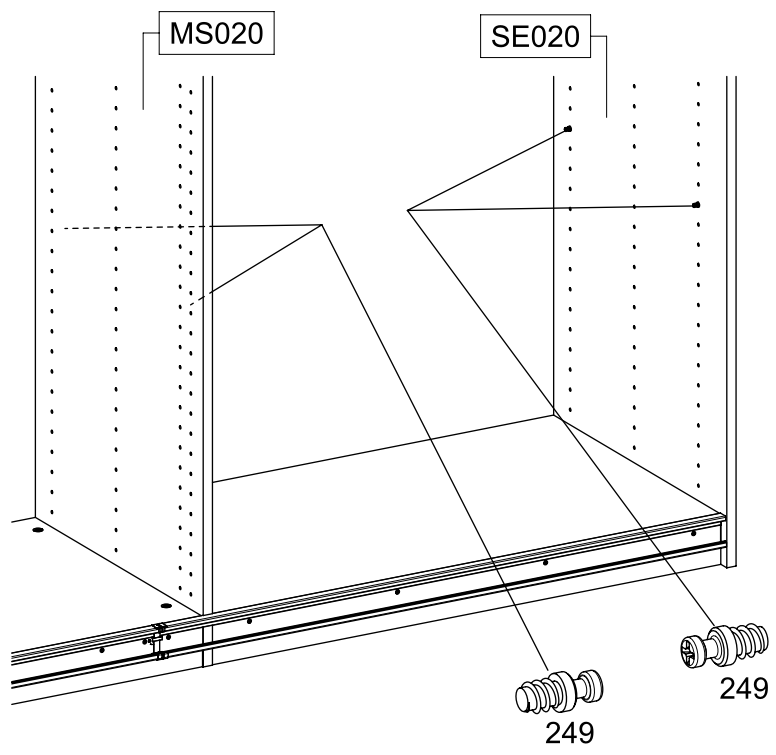
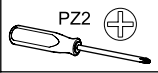
38

4x 5,0x7,0  
249



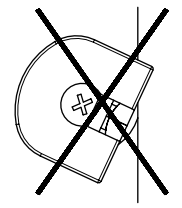
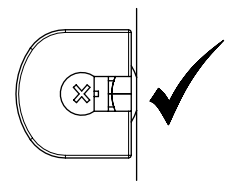
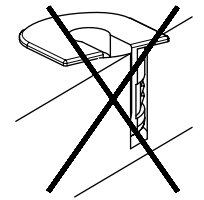
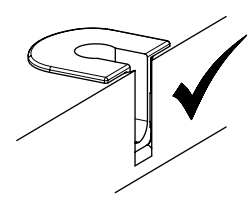
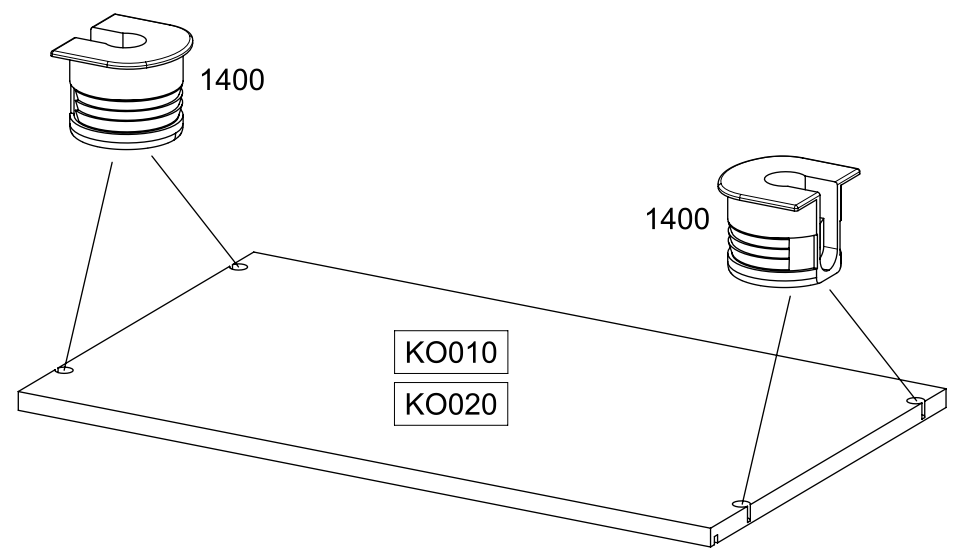
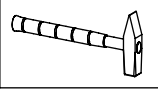
39

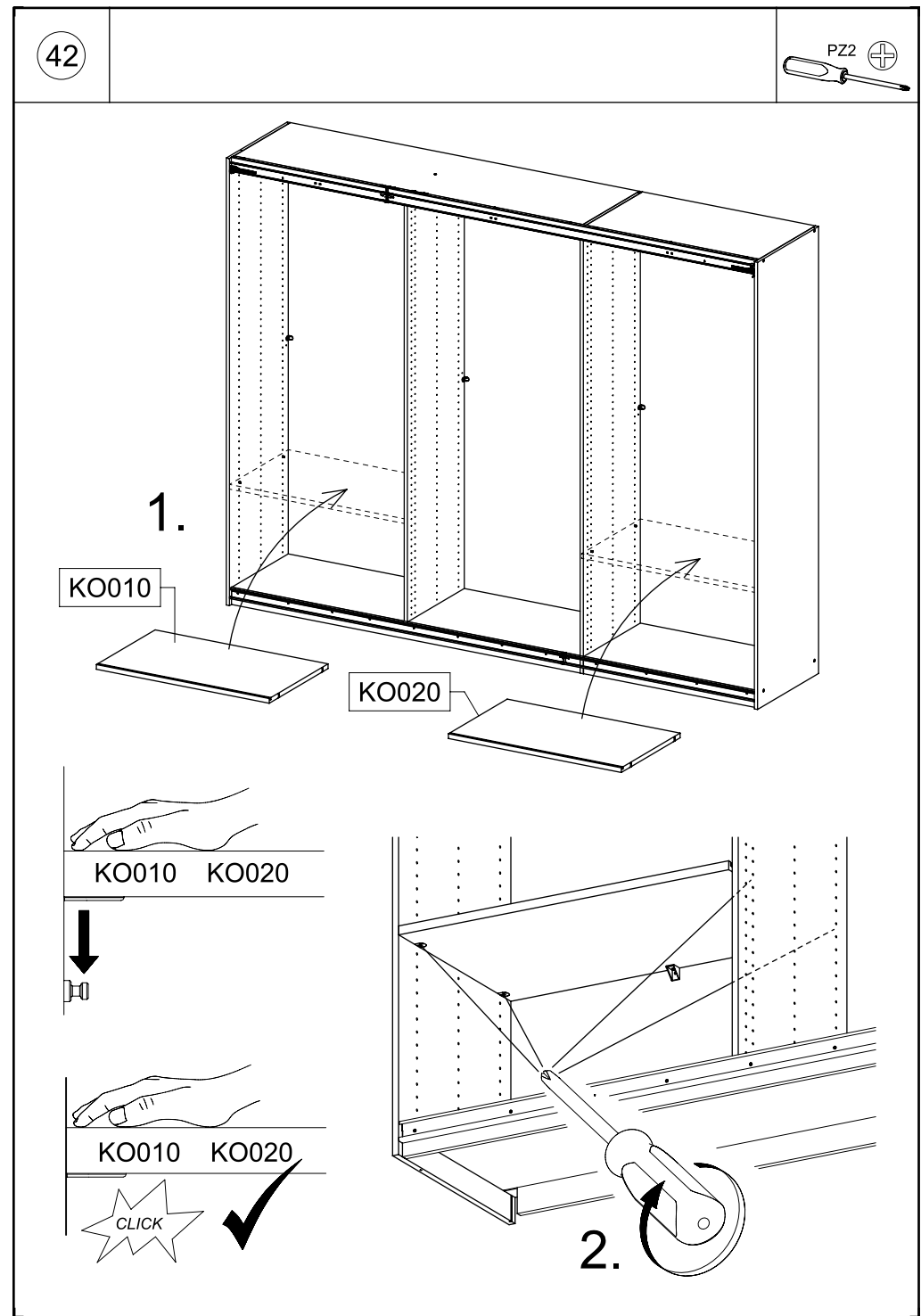
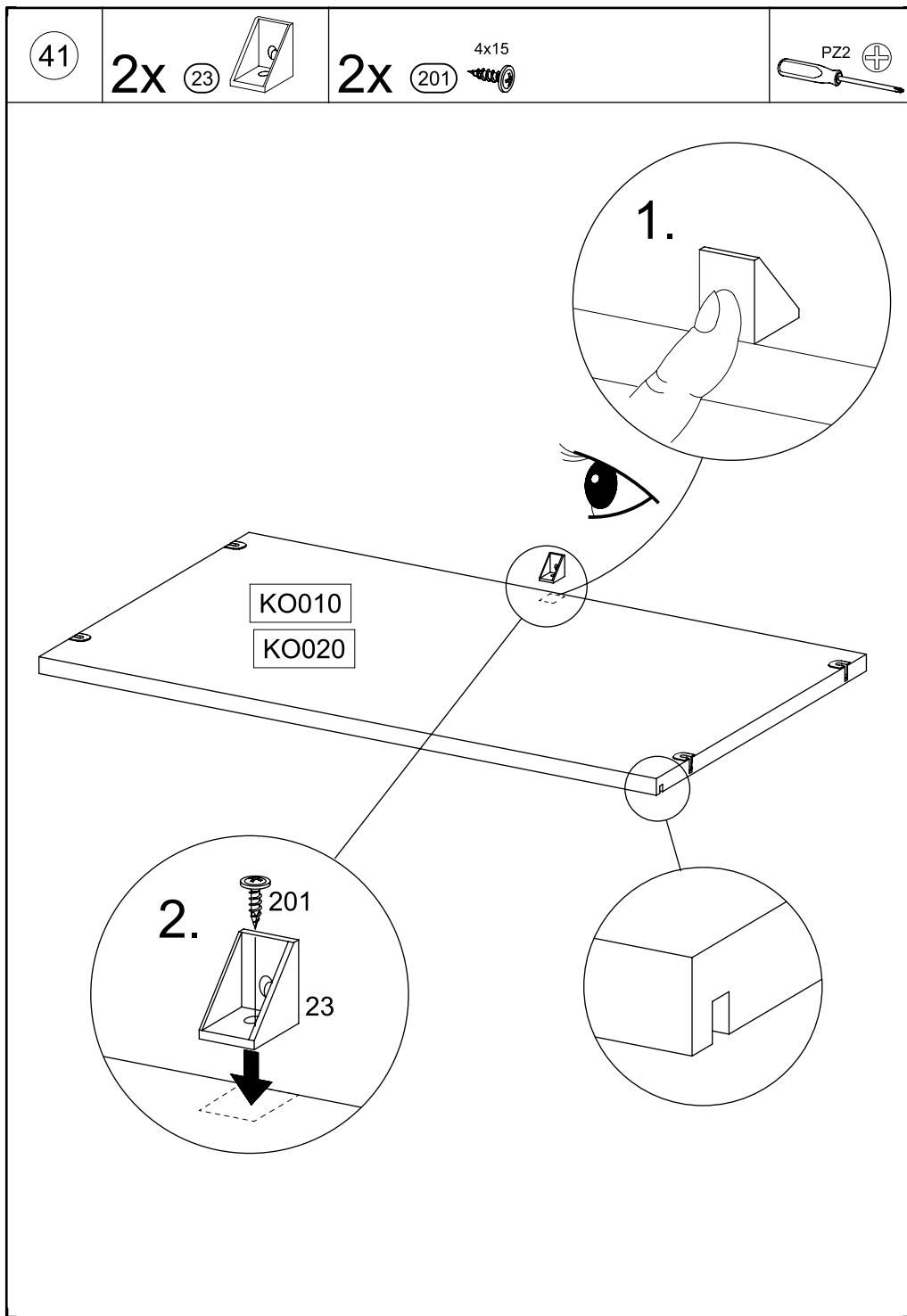
4x 249 5,0x7,0



40

8x 1400





43

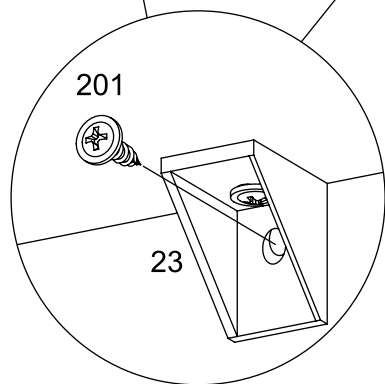
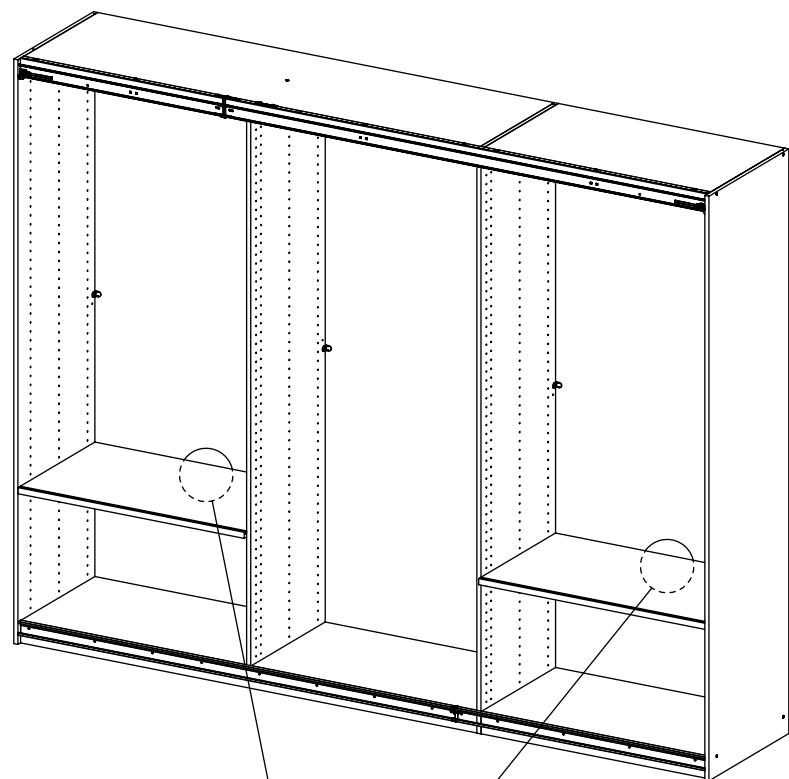
2x

201

4x15



PZ2



44

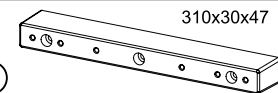
4x

14



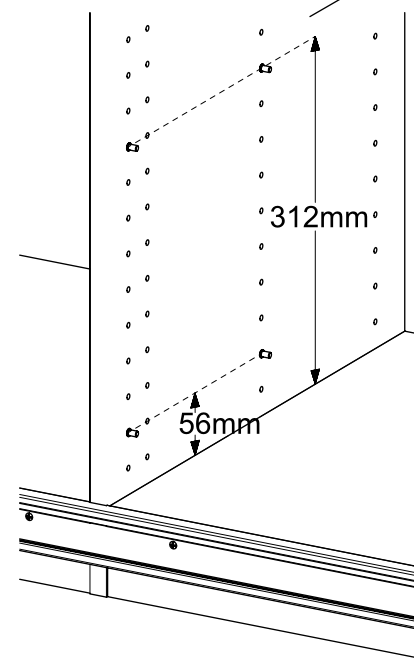
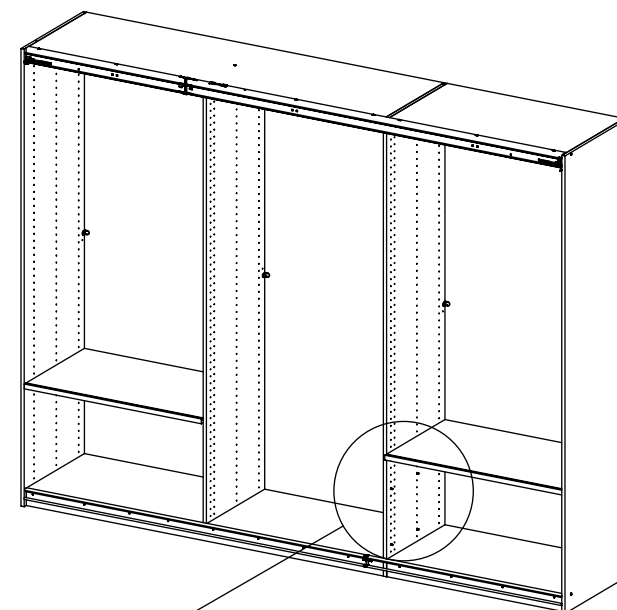
2x

1369



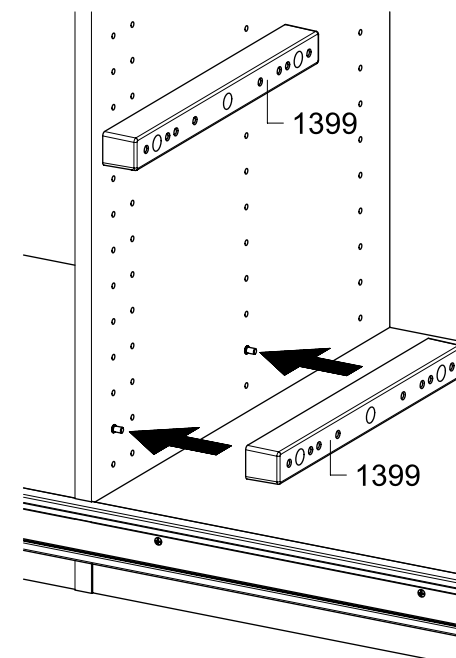
310x30x47

PZ2



312mm

56mm



1399

1399

45

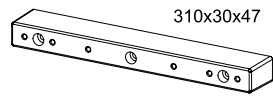
4x

14

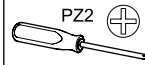


2x

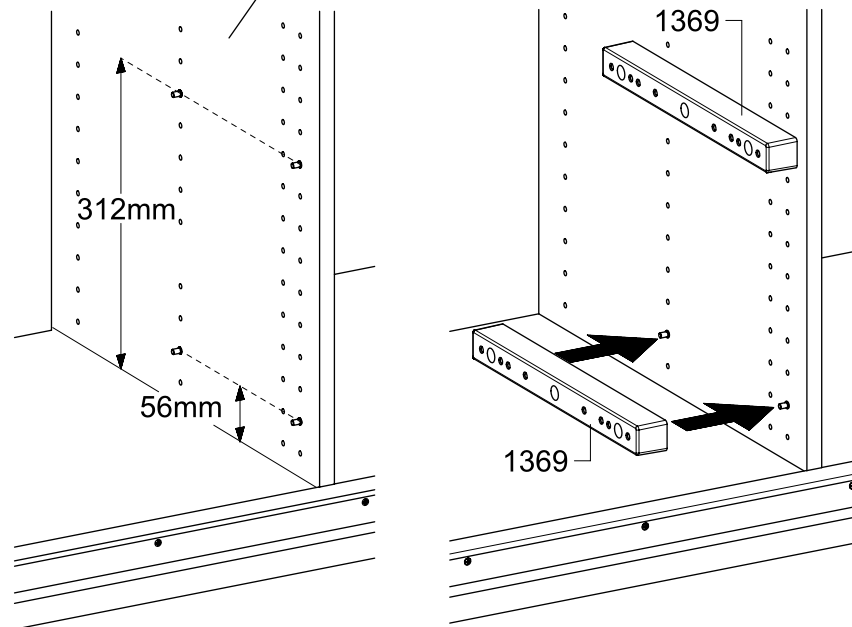
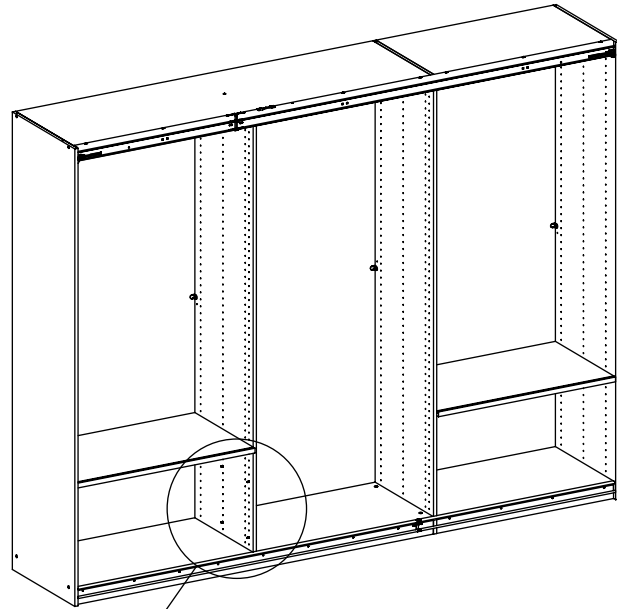
1369



310x30x47



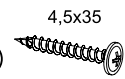
PZ2



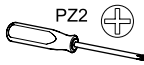
46

12x

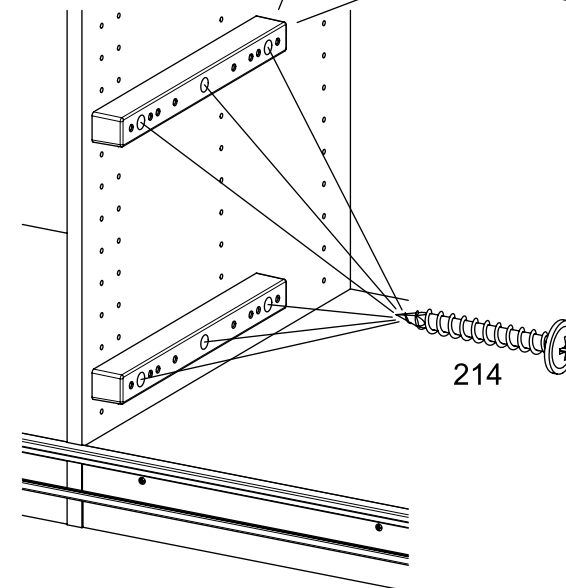
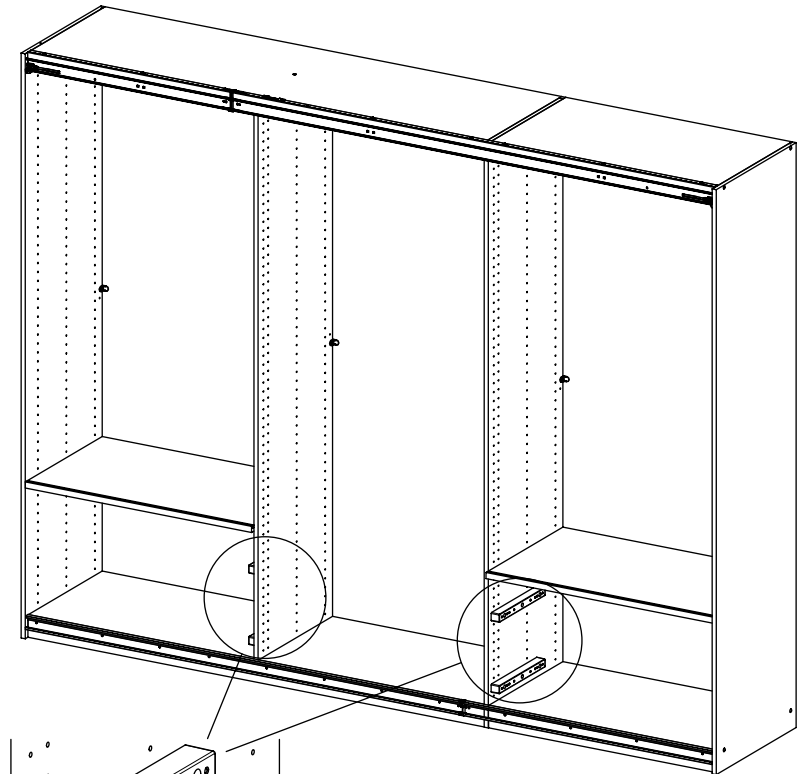
214

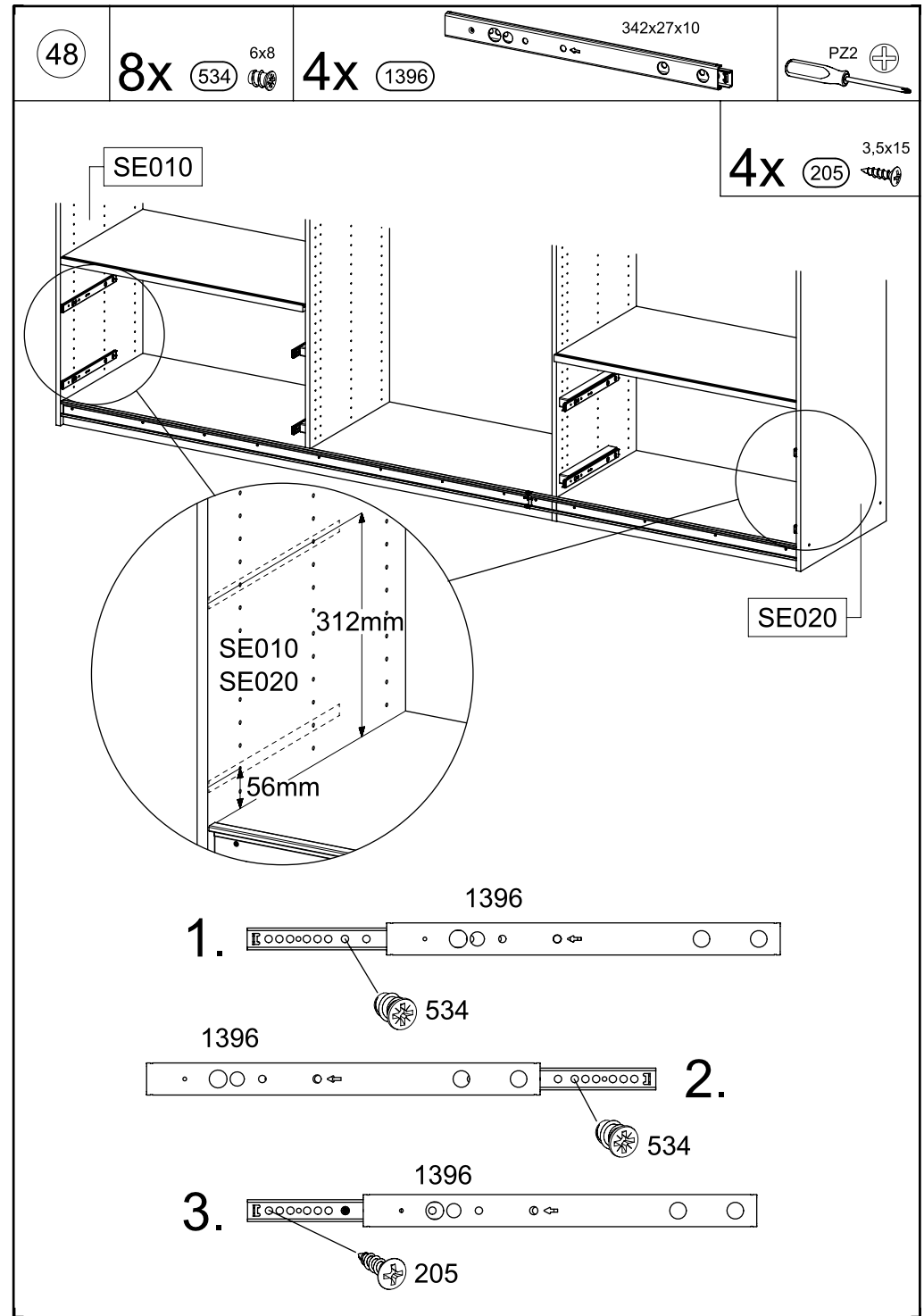
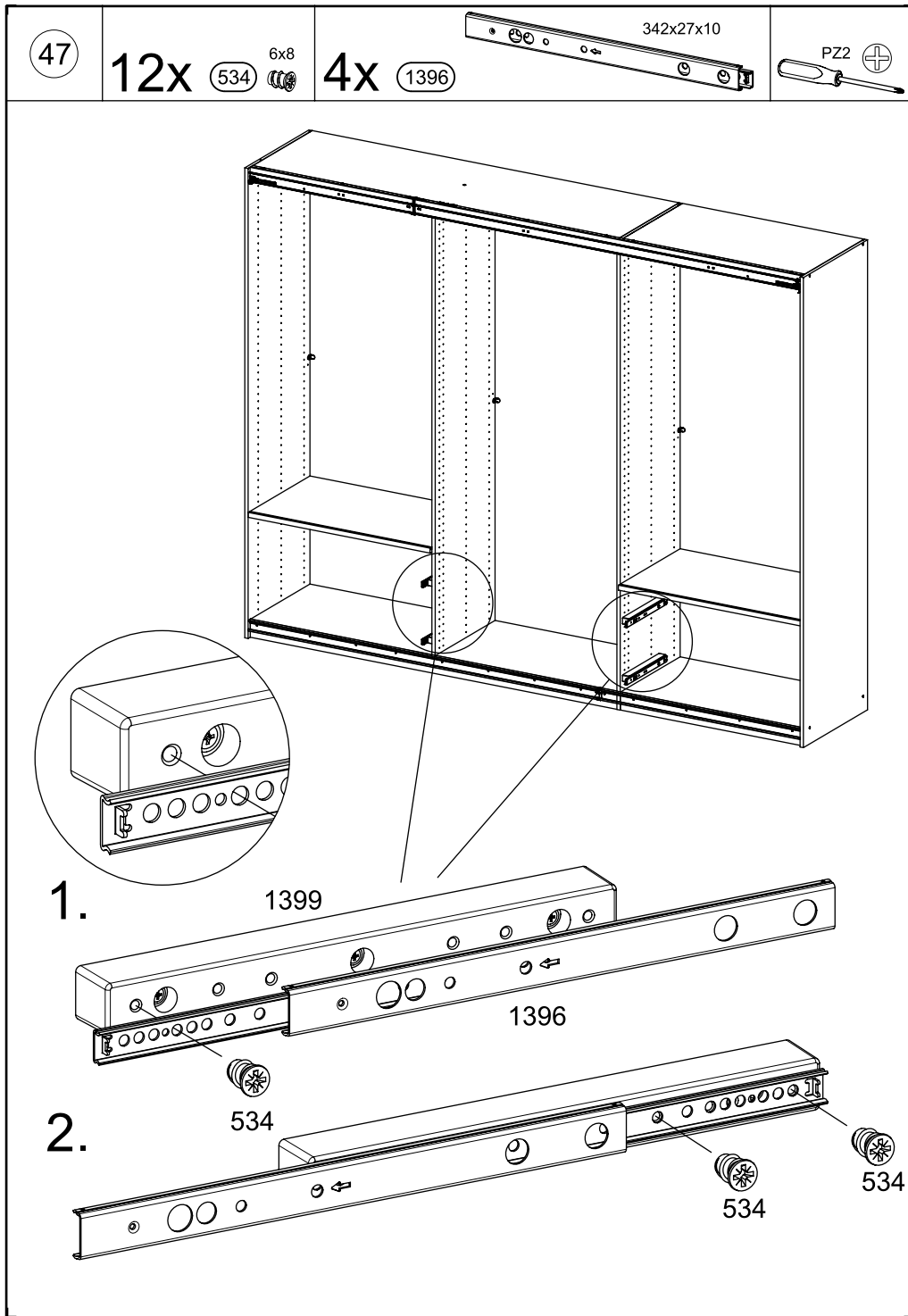


4,5x35



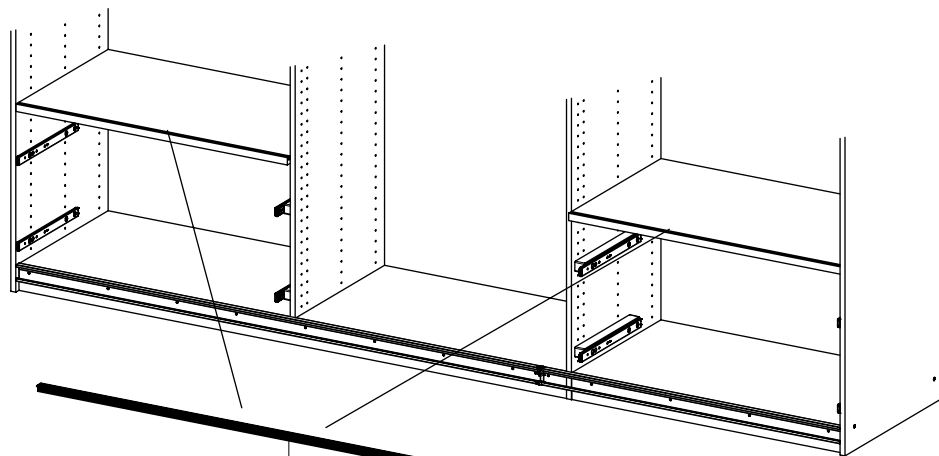
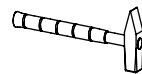
PZ2



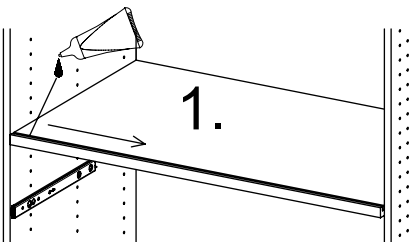
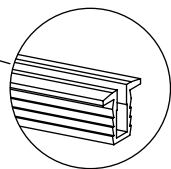


49

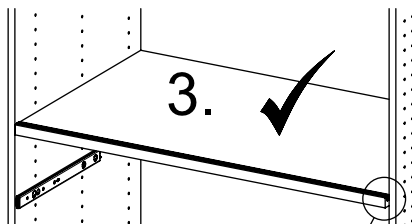
11



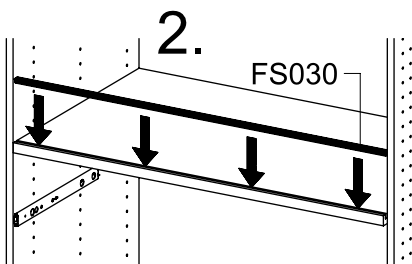
FS030



1.

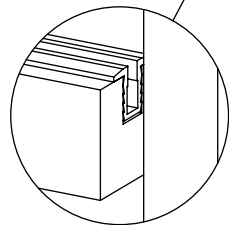


3. ✓



2.

FS030



50

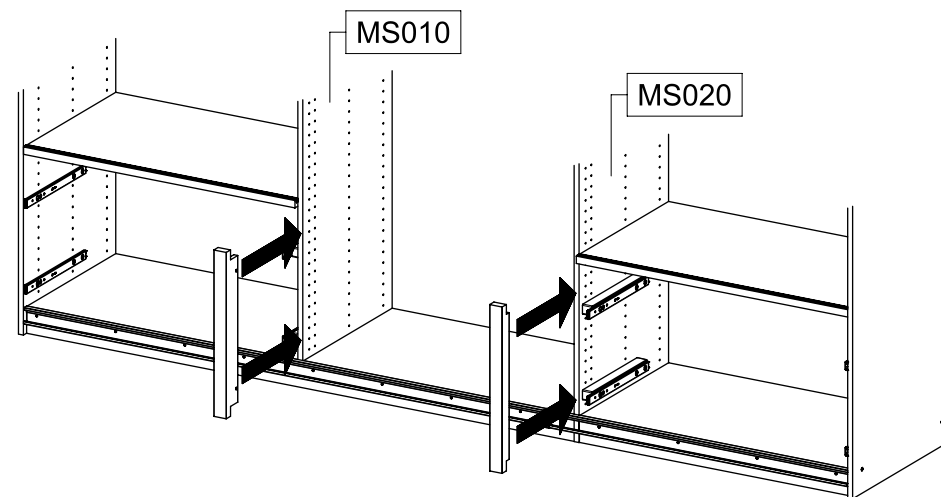
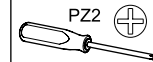
4x

350

4x25

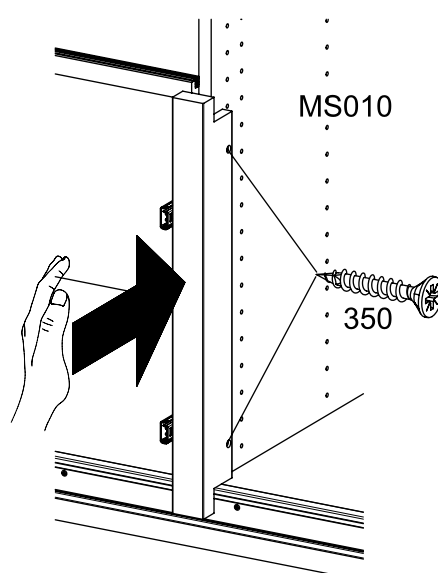


PZ2



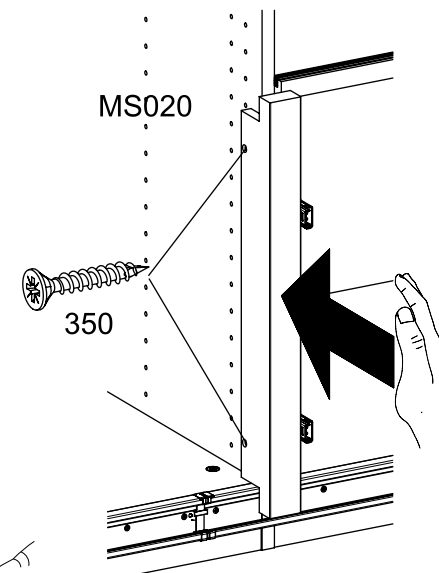
MS010

MS020



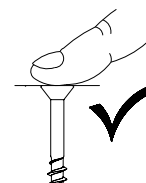
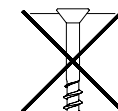
MS010

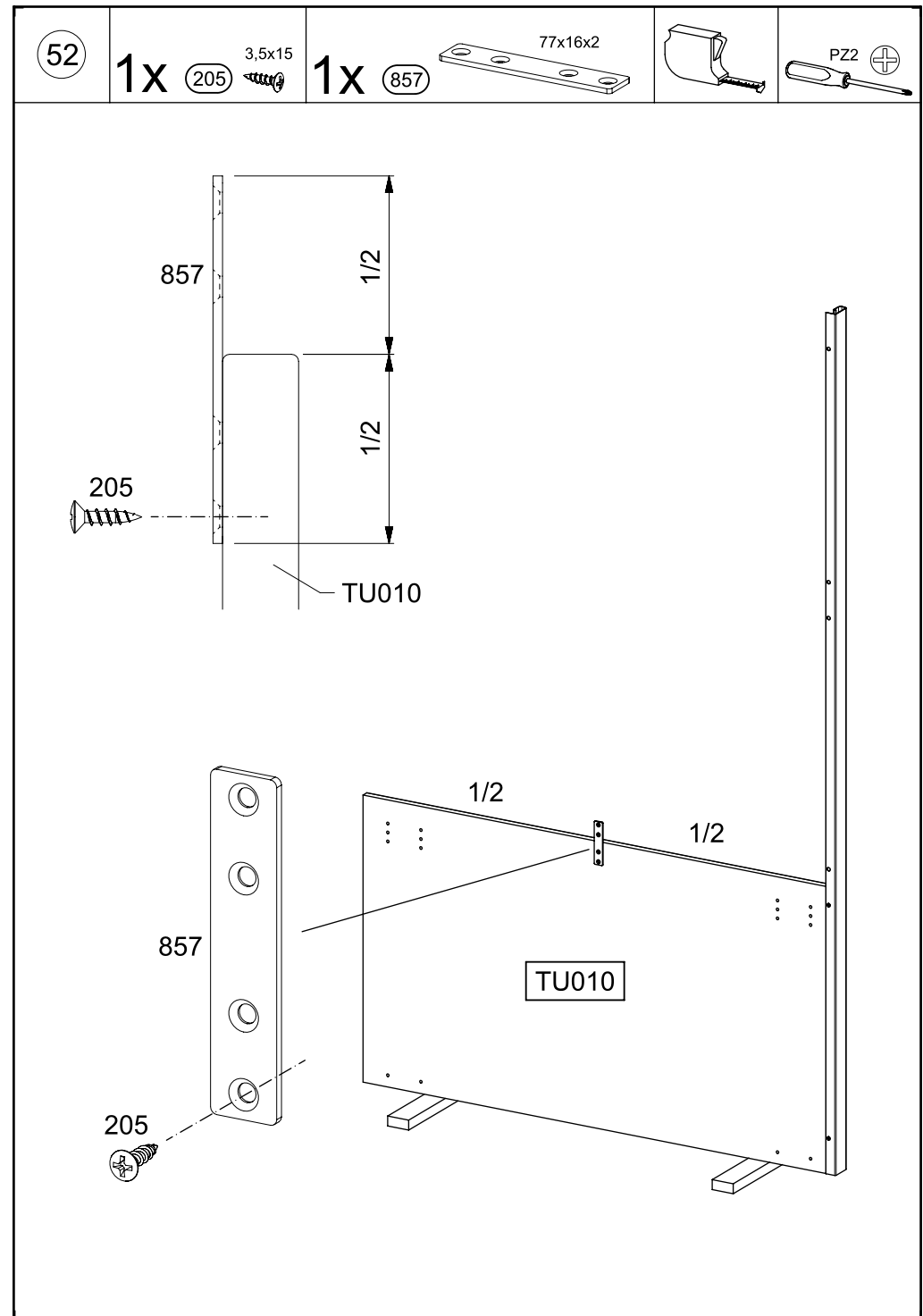
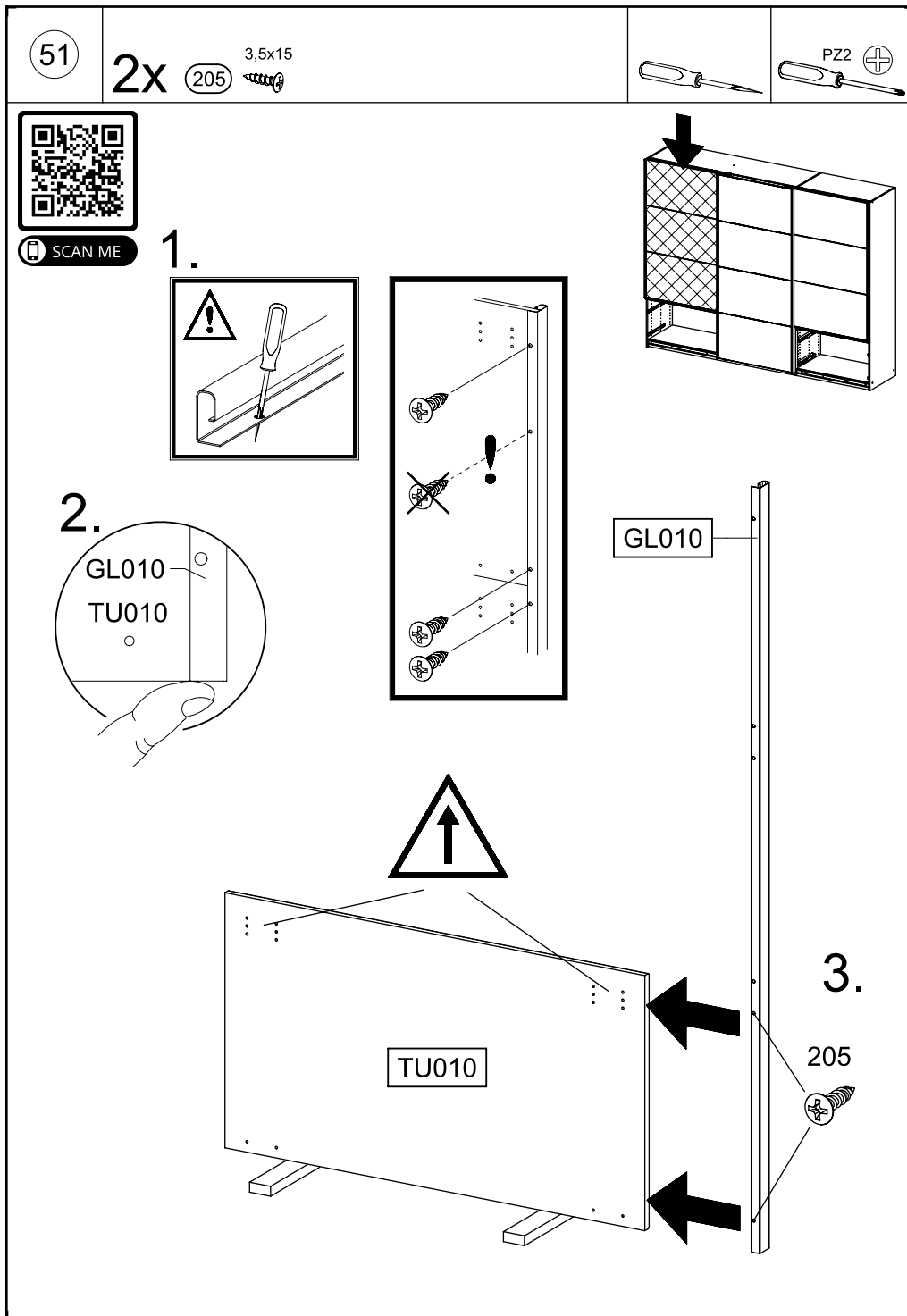
350

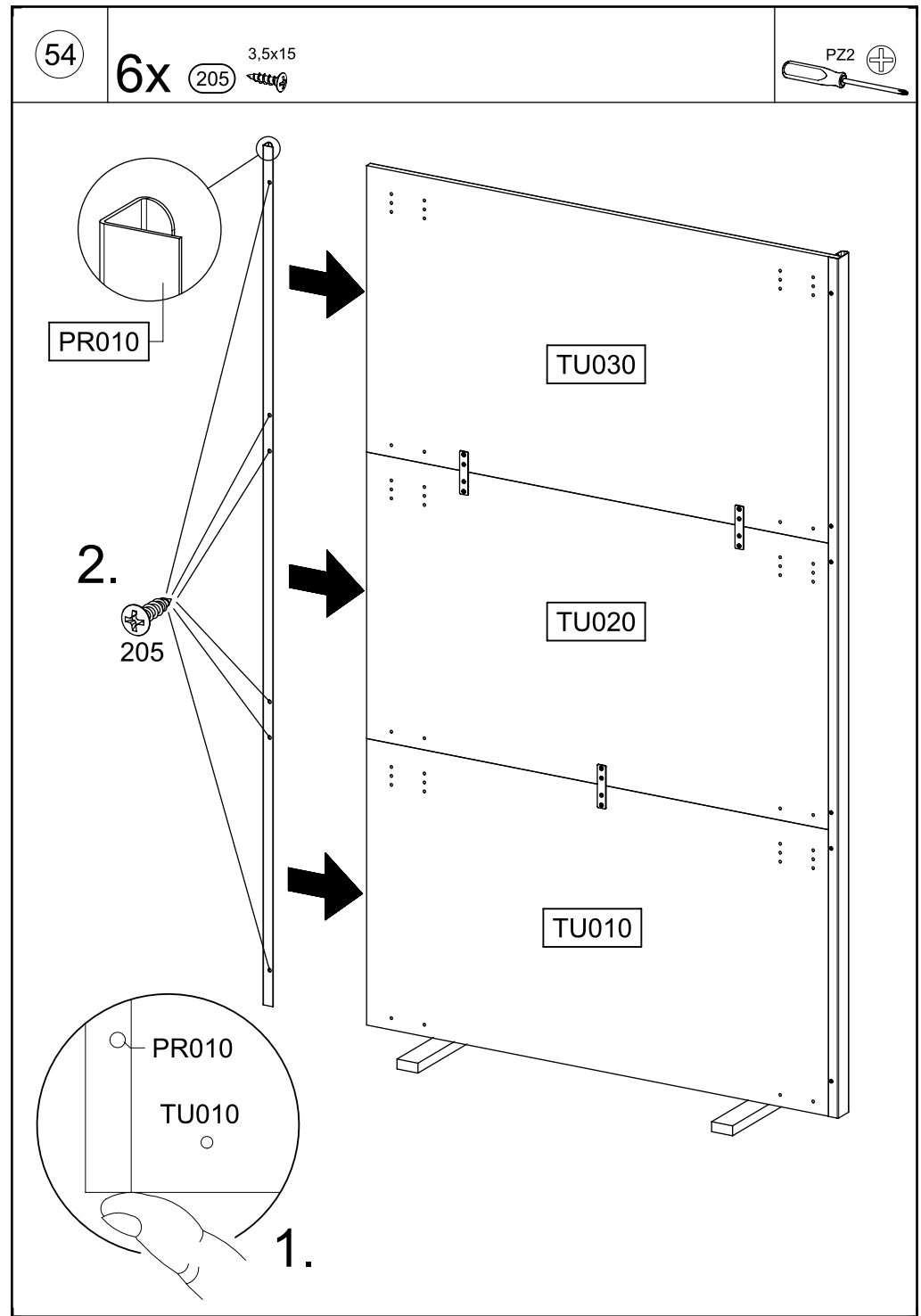
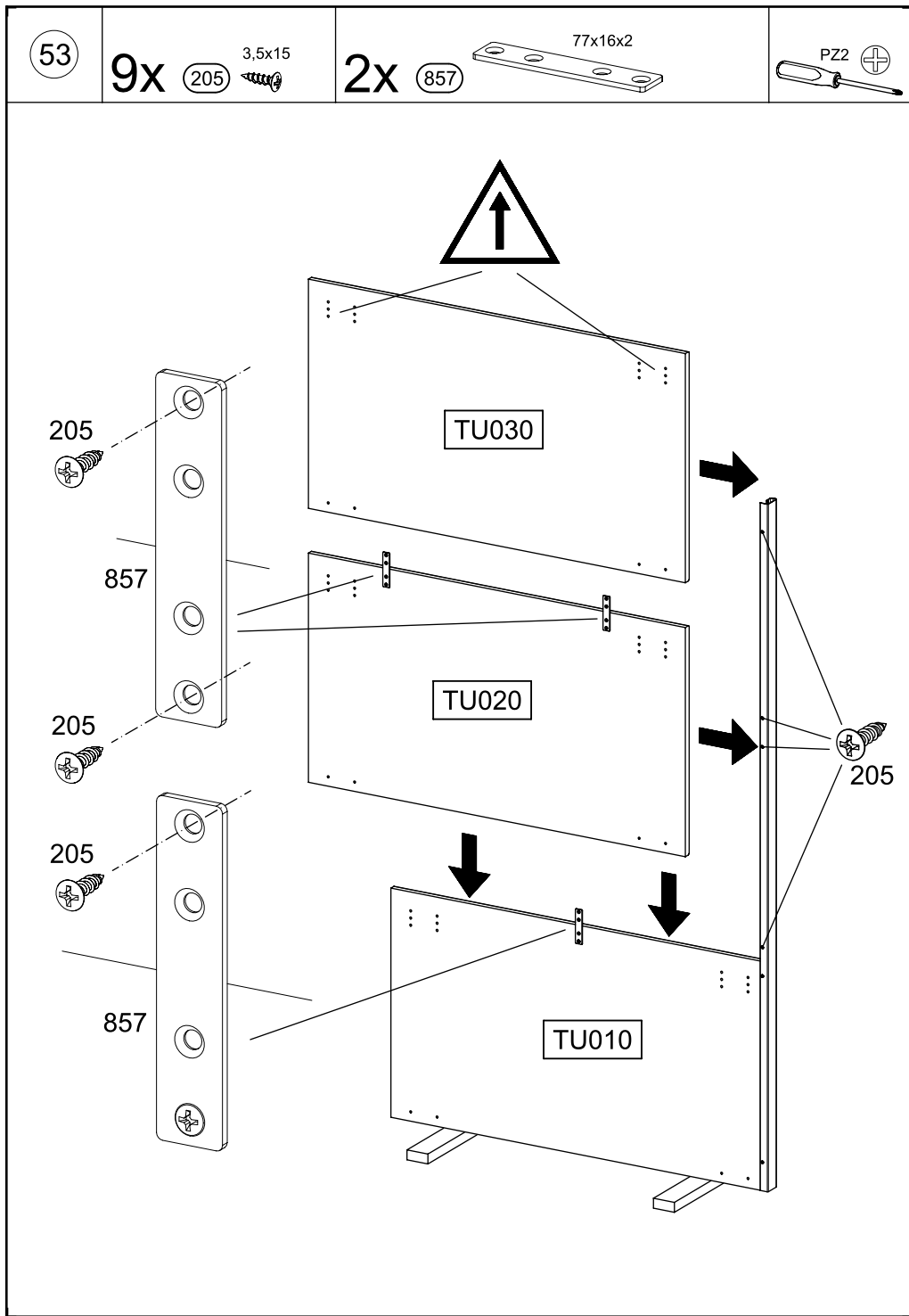


MS020

350







55

1x

1155



1x

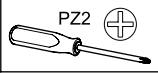
1156



8x

1173

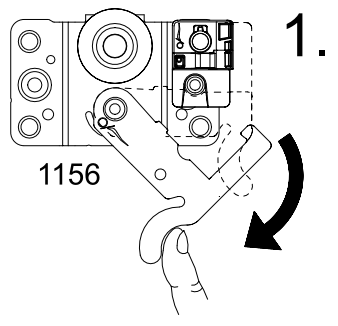
6,3x14



PZ2

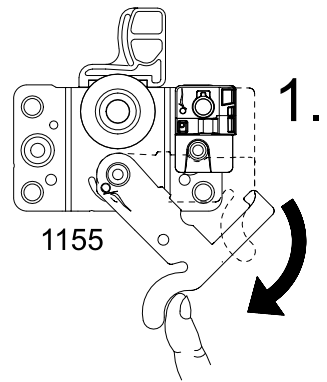


SCAN ME



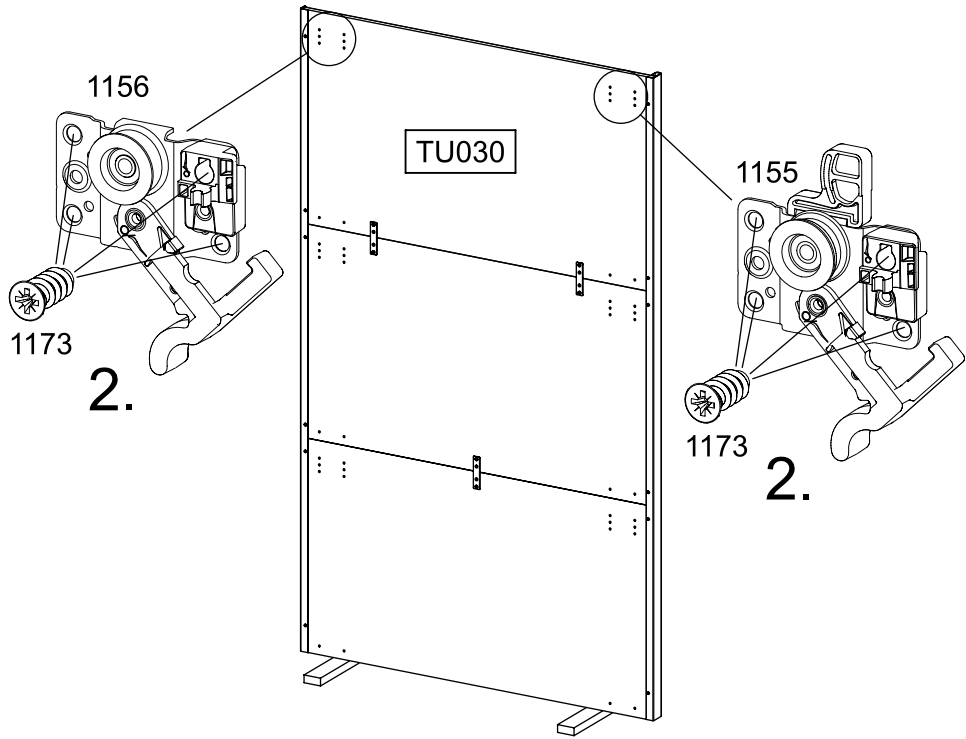
1156

1.



1155

1.



1156

TU030

1155

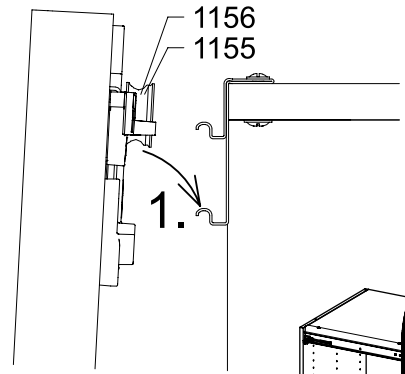
1173

2.

1173

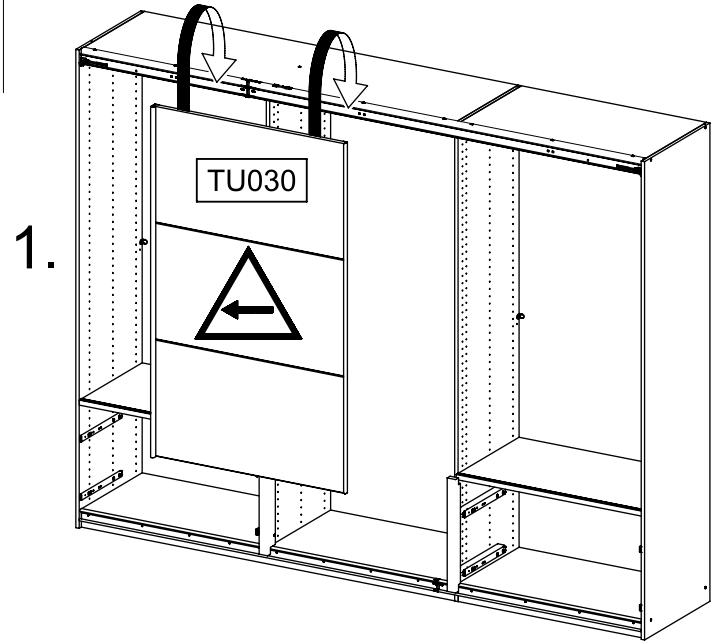
2.

56



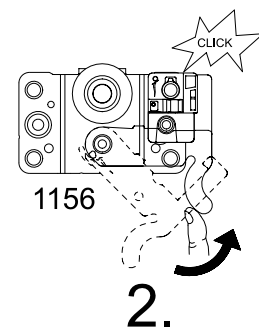
1156  
1155

1.



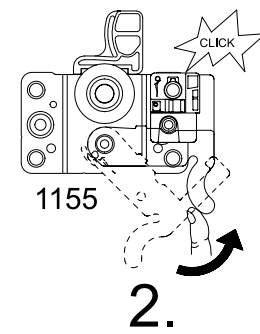
1.

TU030



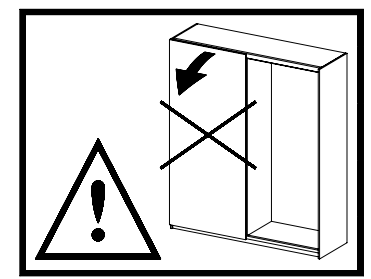
1156

2.



1155

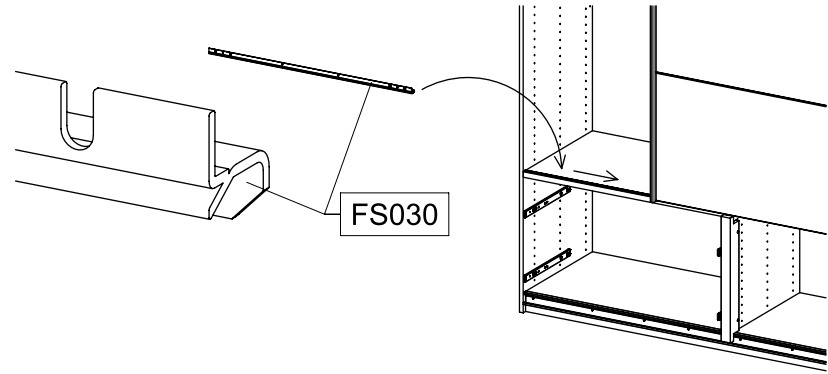
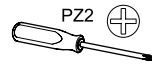
2.



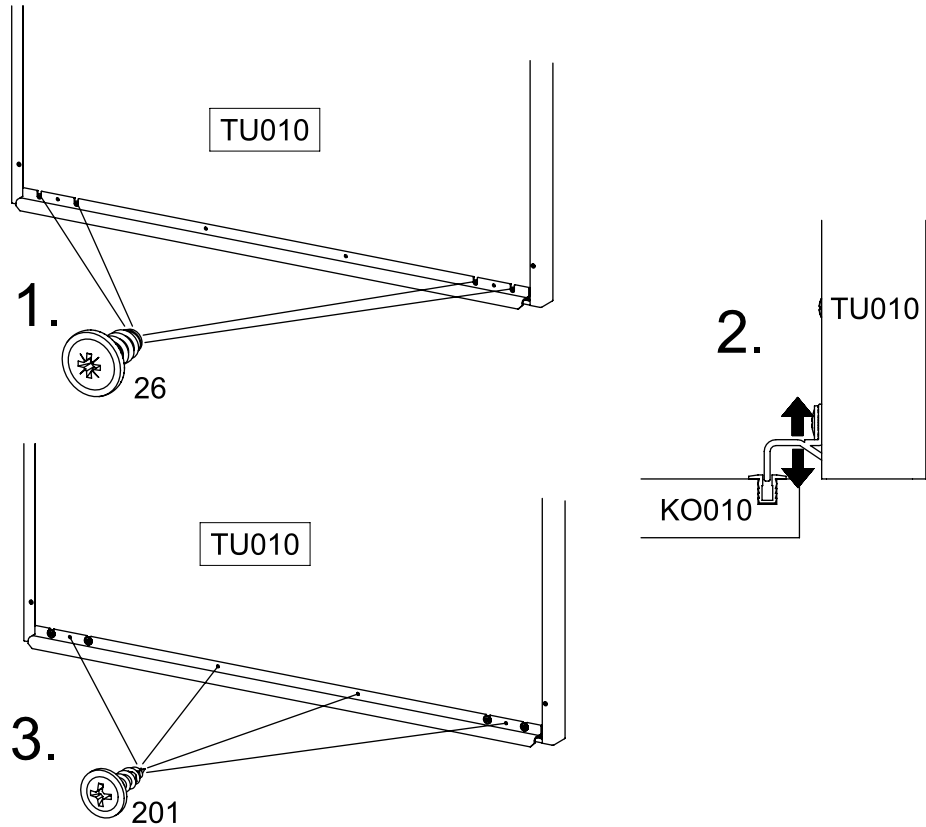
57

4x 26 6,3x14

4x 201 4x15



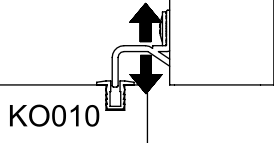
FS030



TU010

1. 26

2. TU010

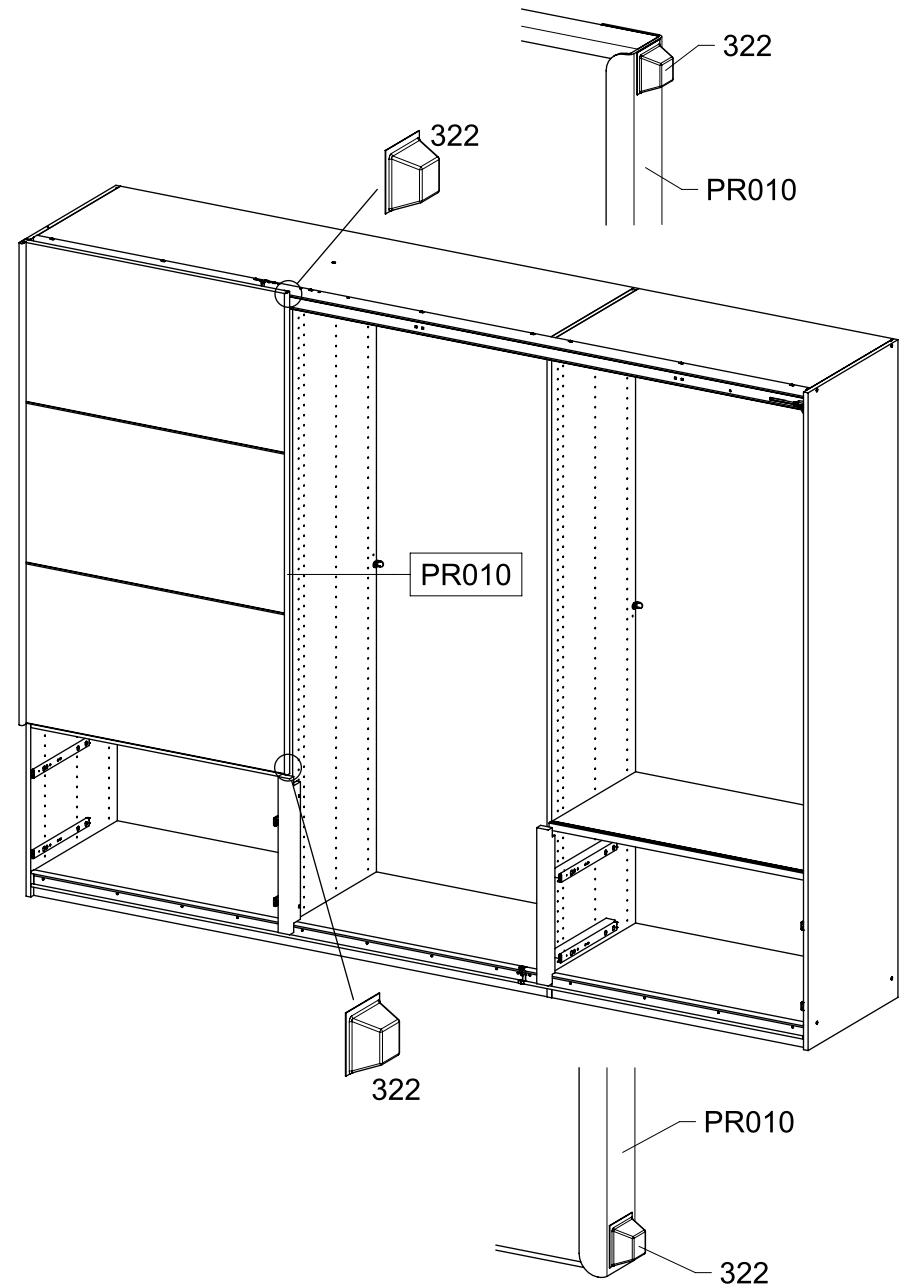


KO010

3. TU010 201

58

1x 322



322

PR010

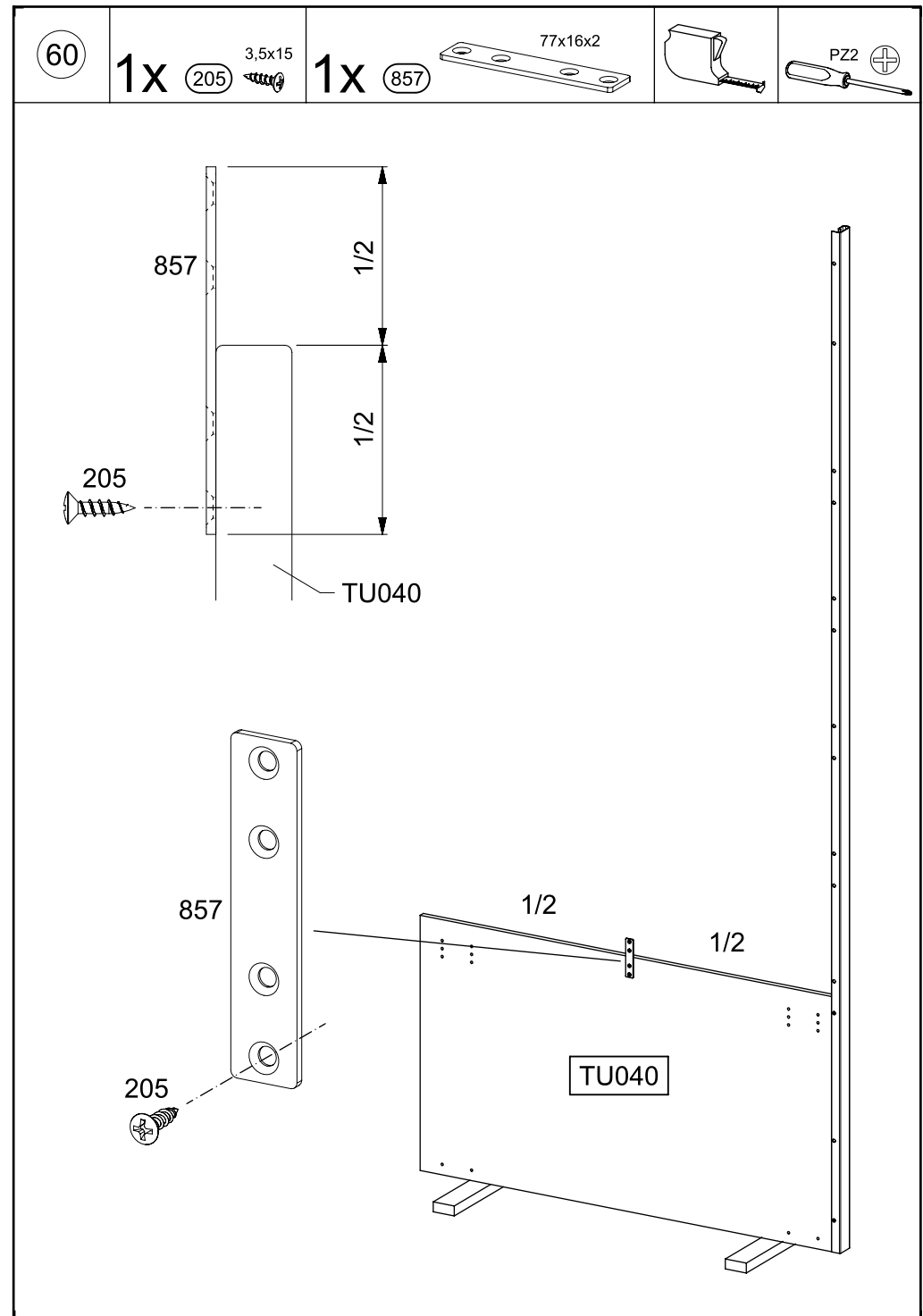
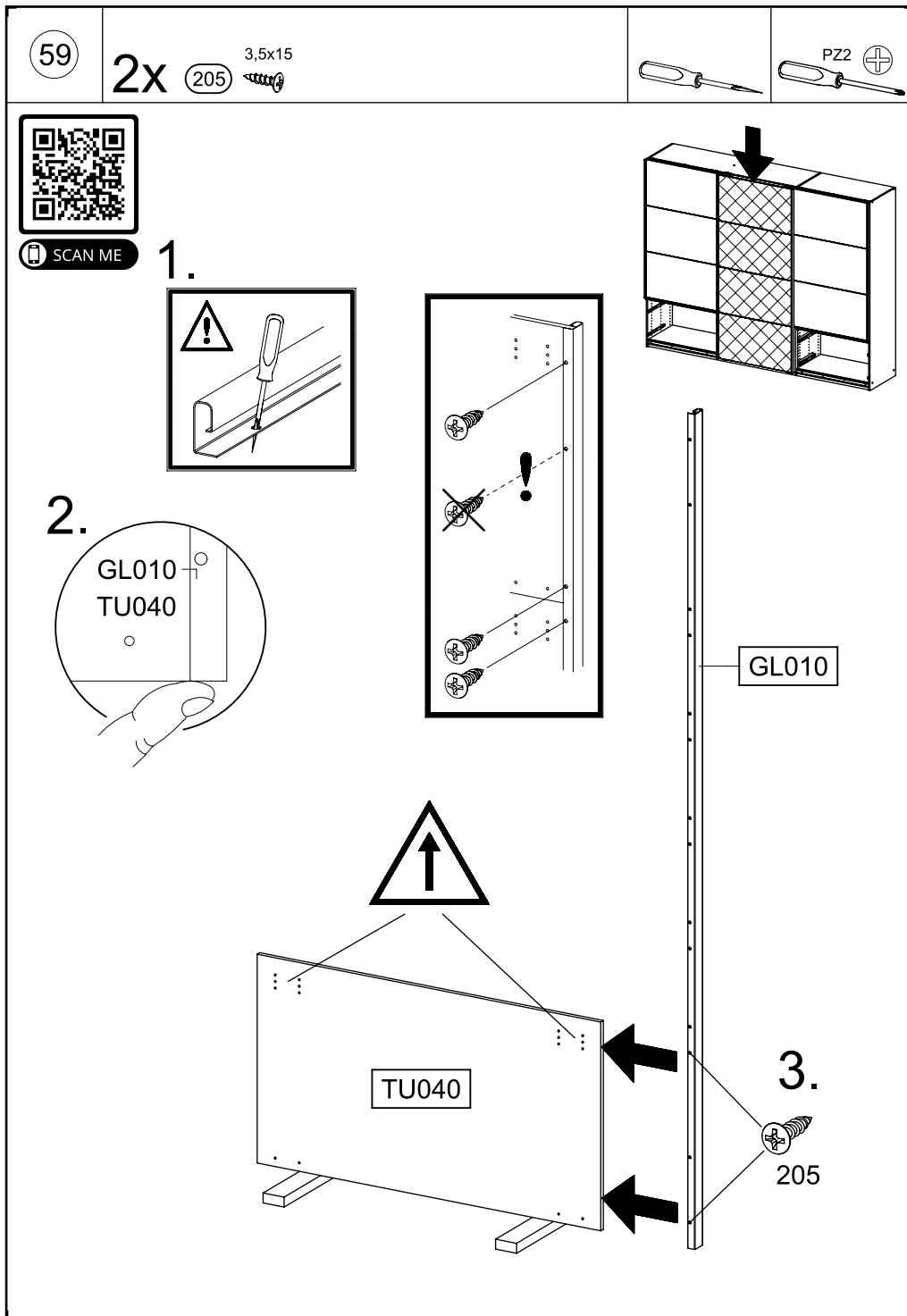
322

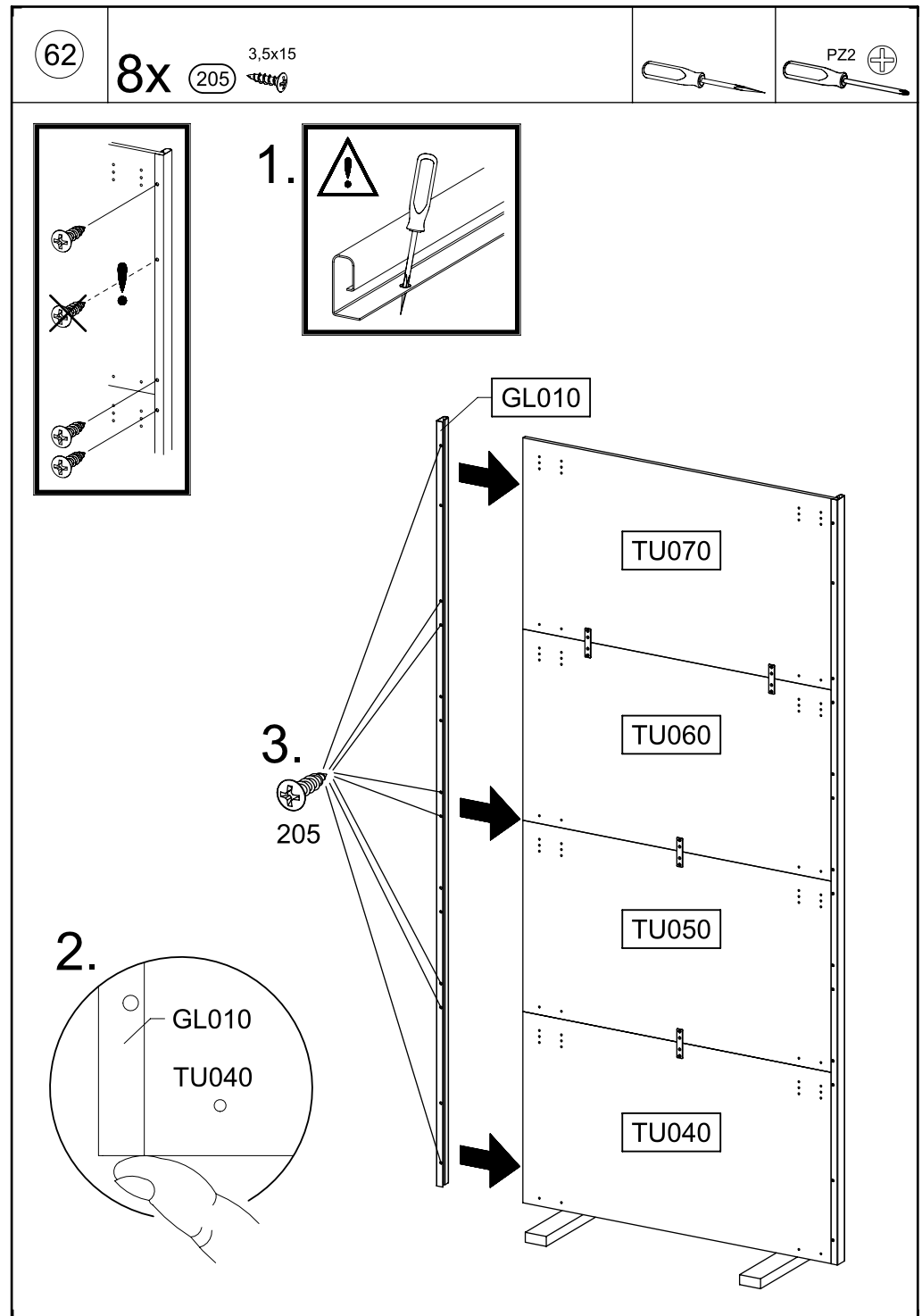
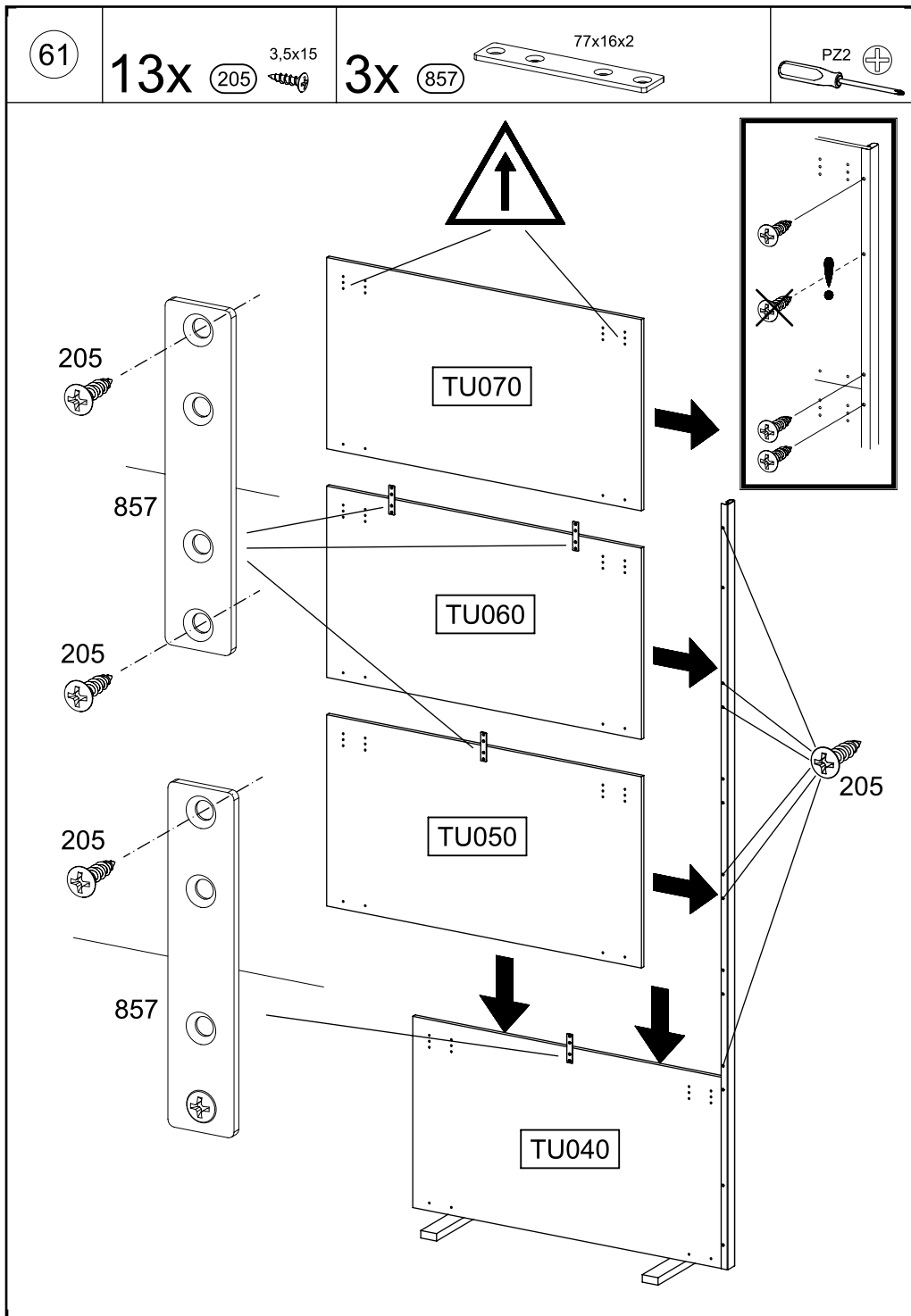
PR010

322

PR010

322

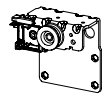




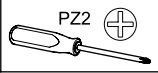
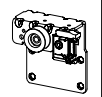
63

8x 1173 6,3x14

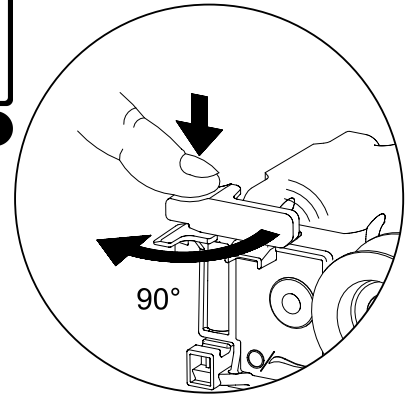
1x 1177



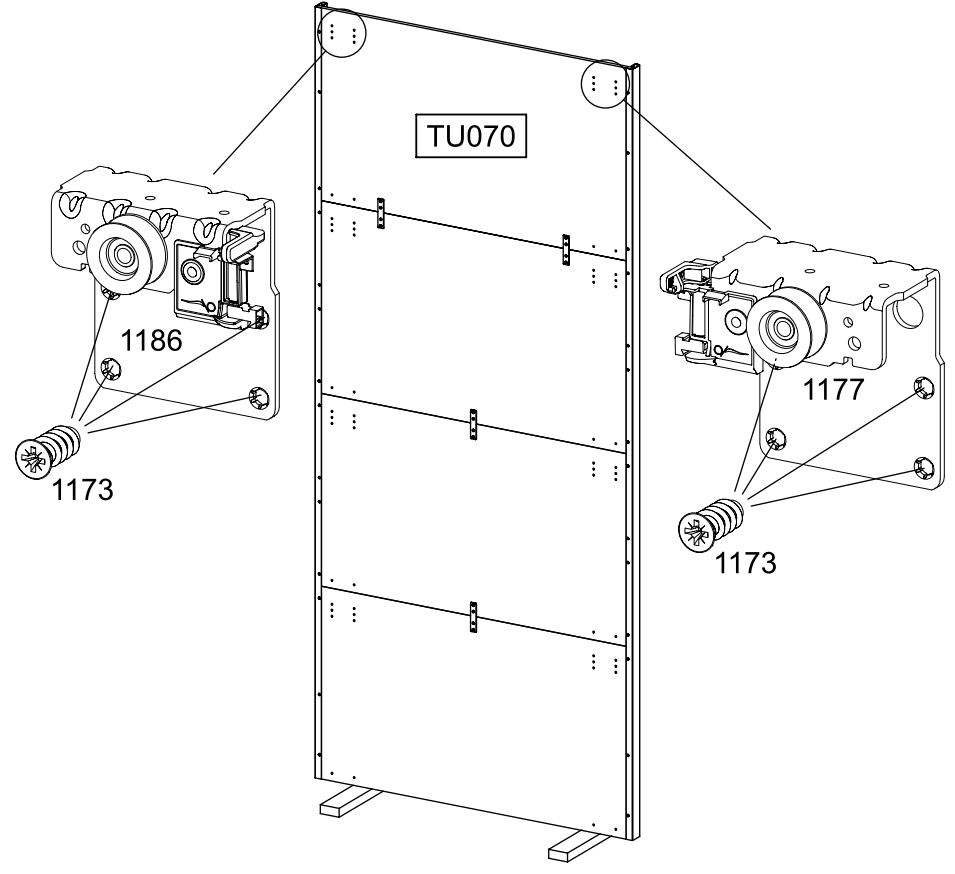
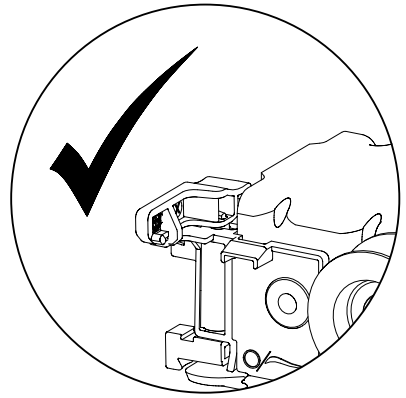
1x 1186



SCAN ME



1.



TU070

1186

1173

1177

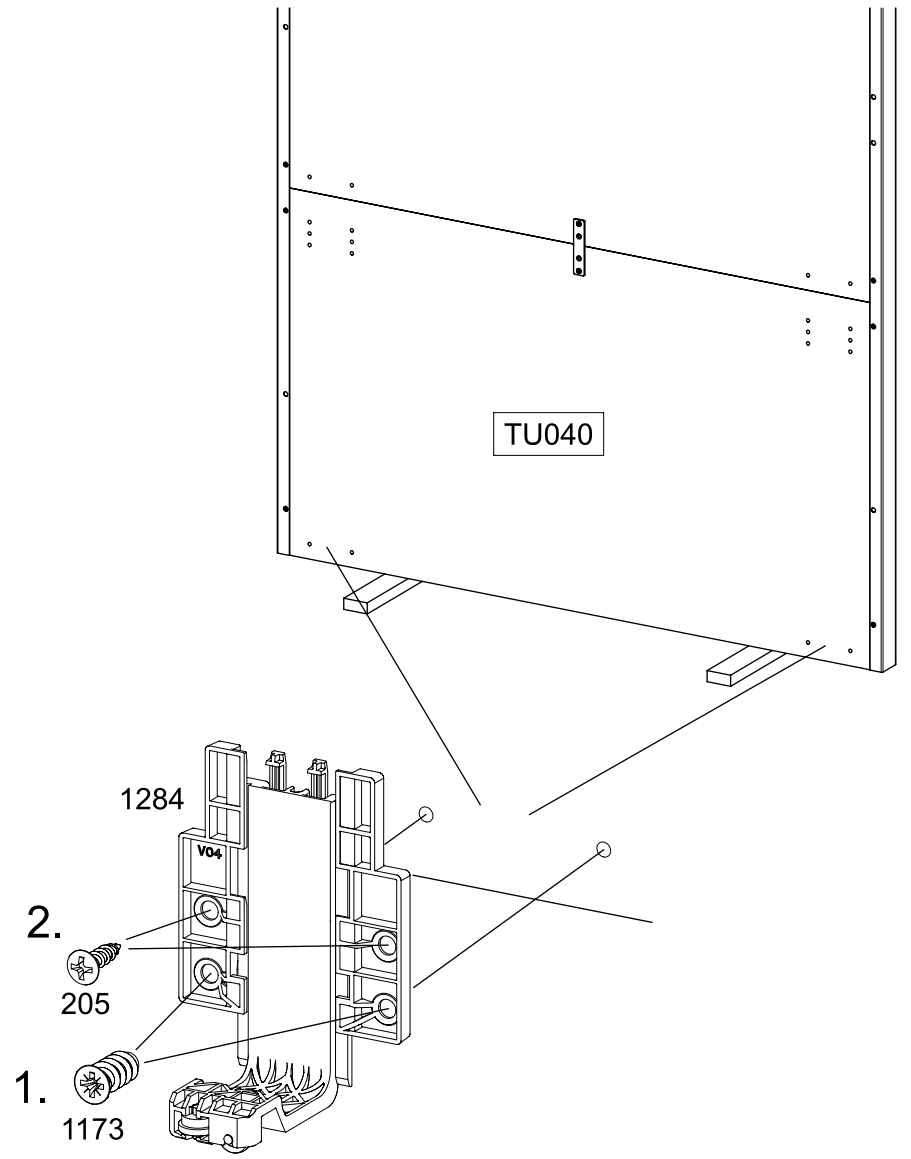
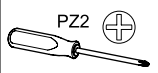
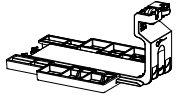
1173

64

4x 205 3,5x15

4x 1173 6,3x14

2x 1284



TU040

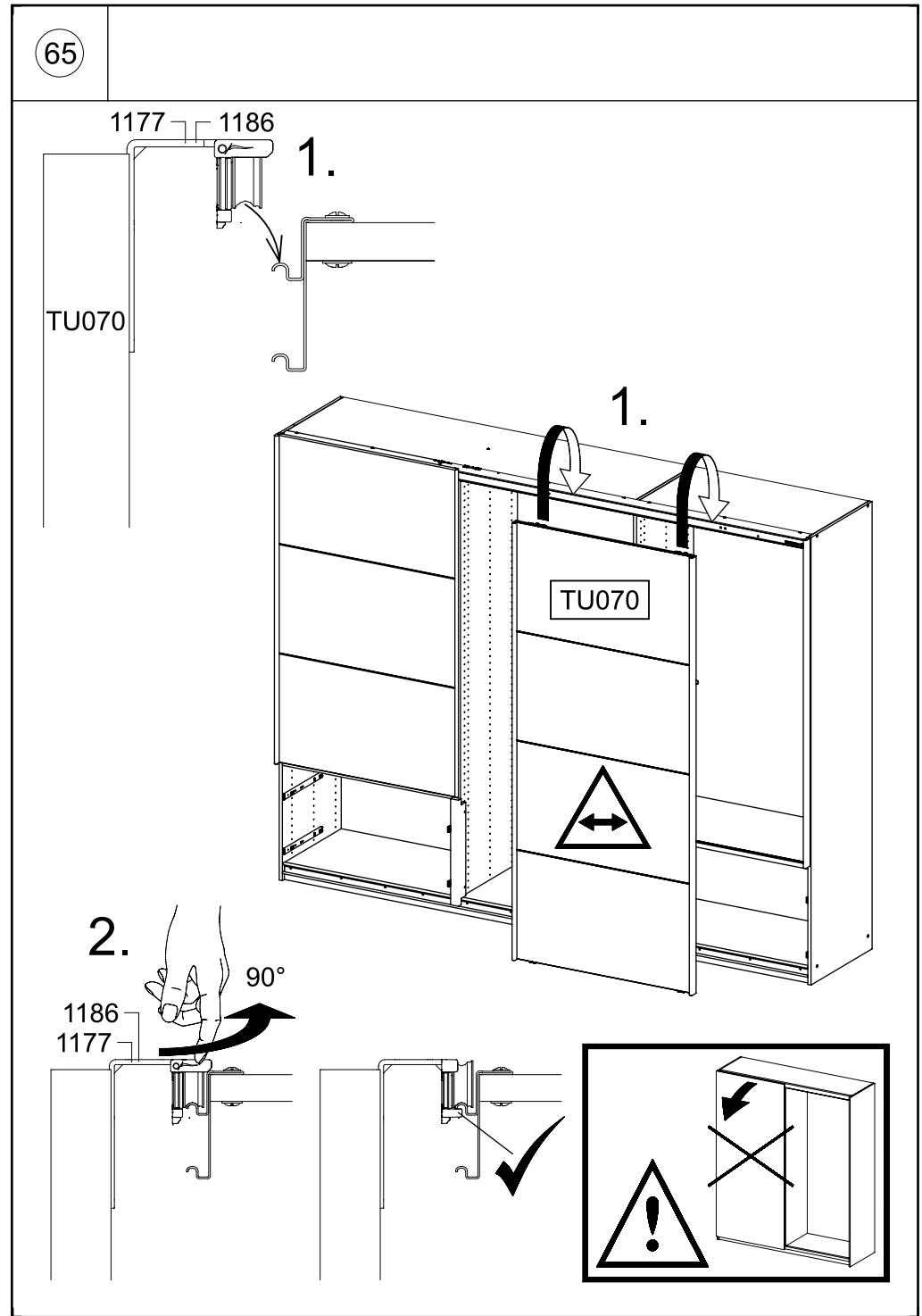
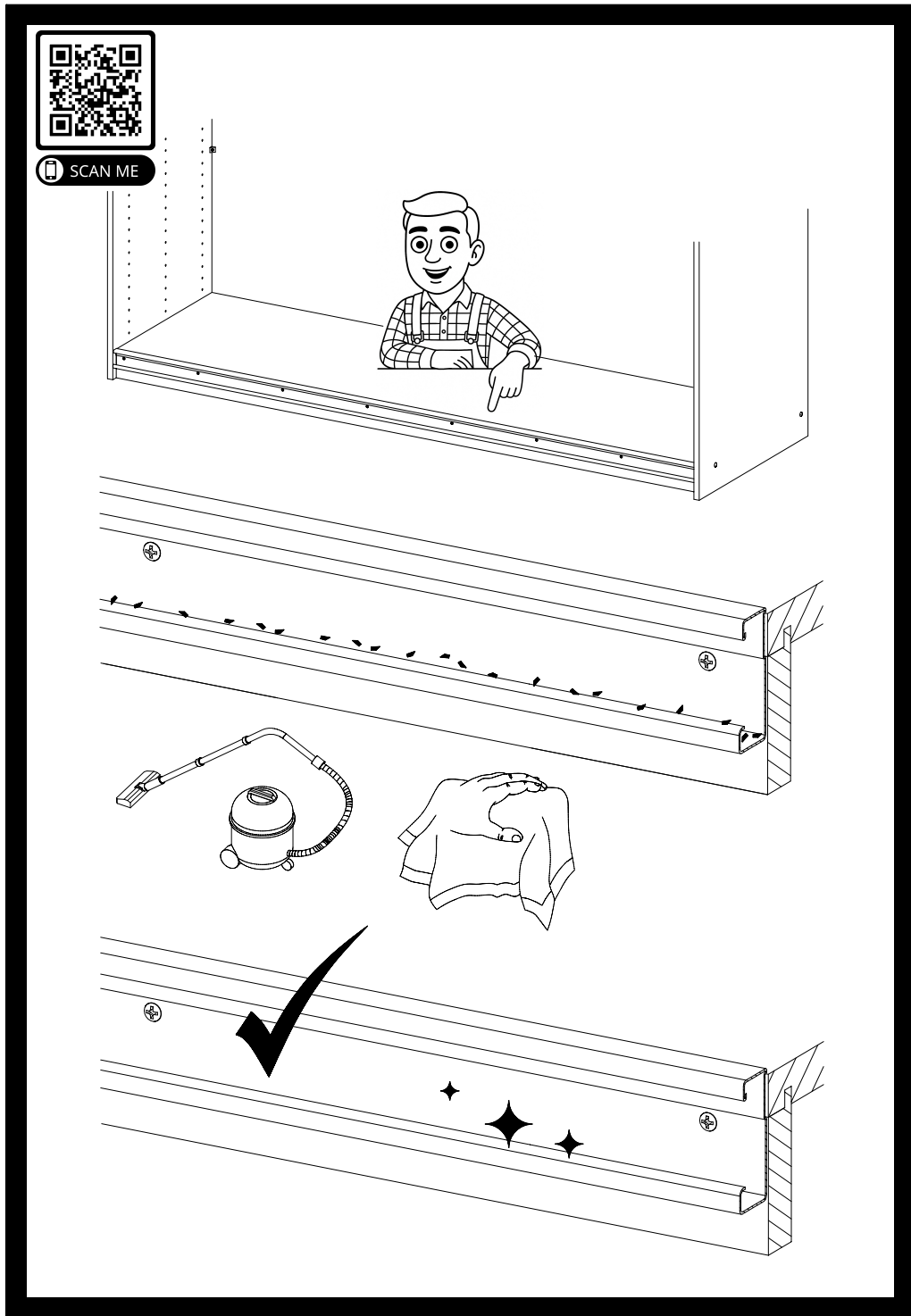
1284

2.

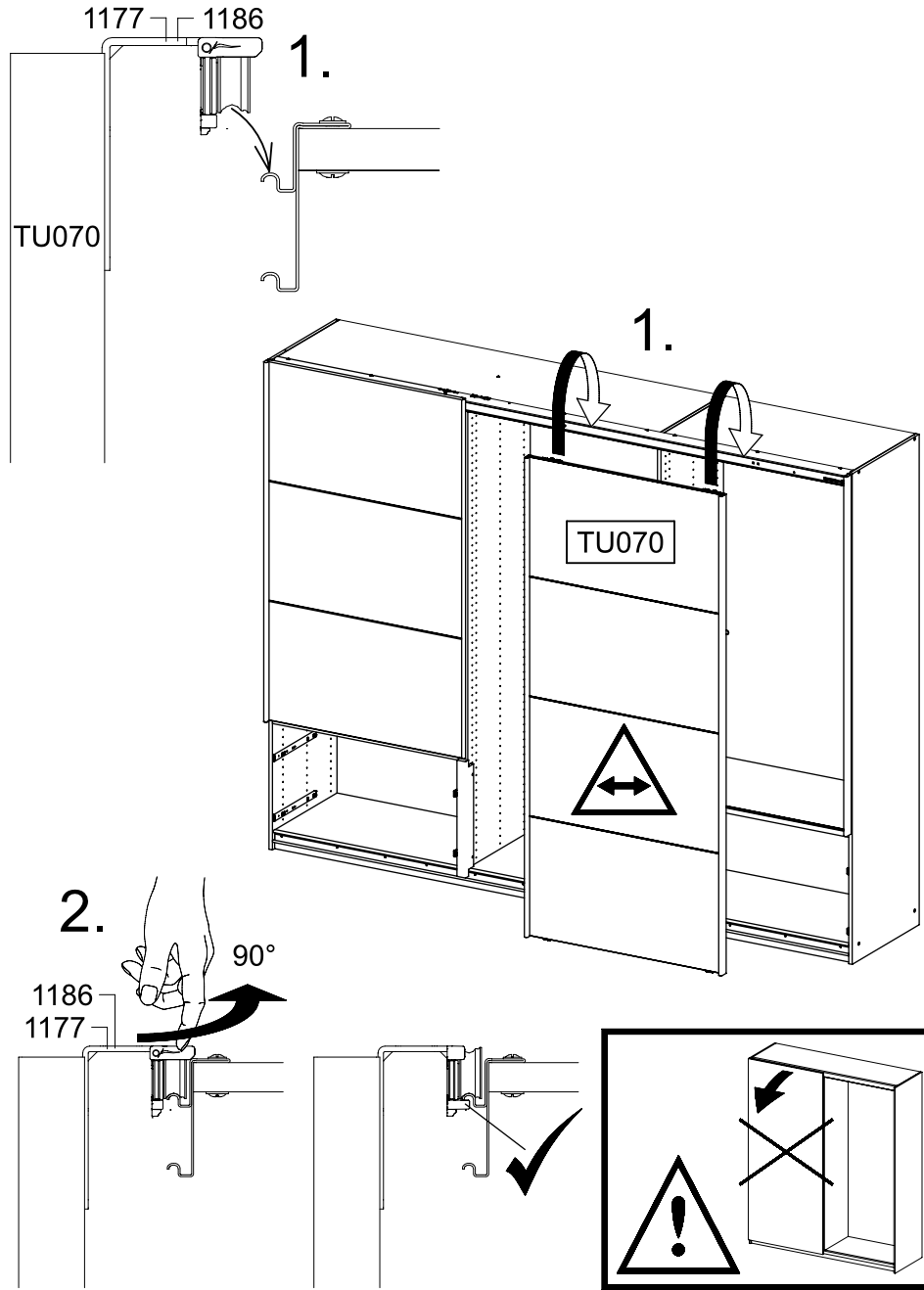
205

1.

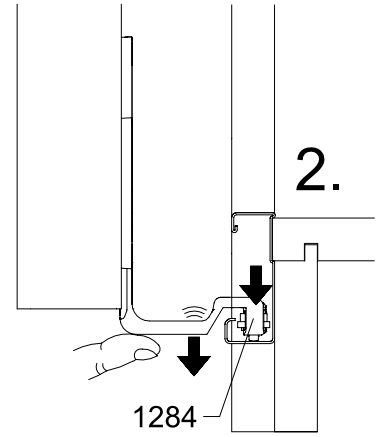
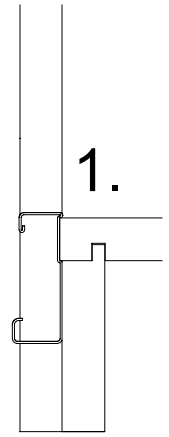
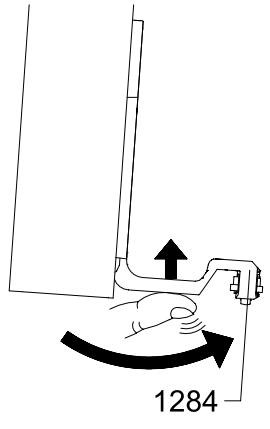
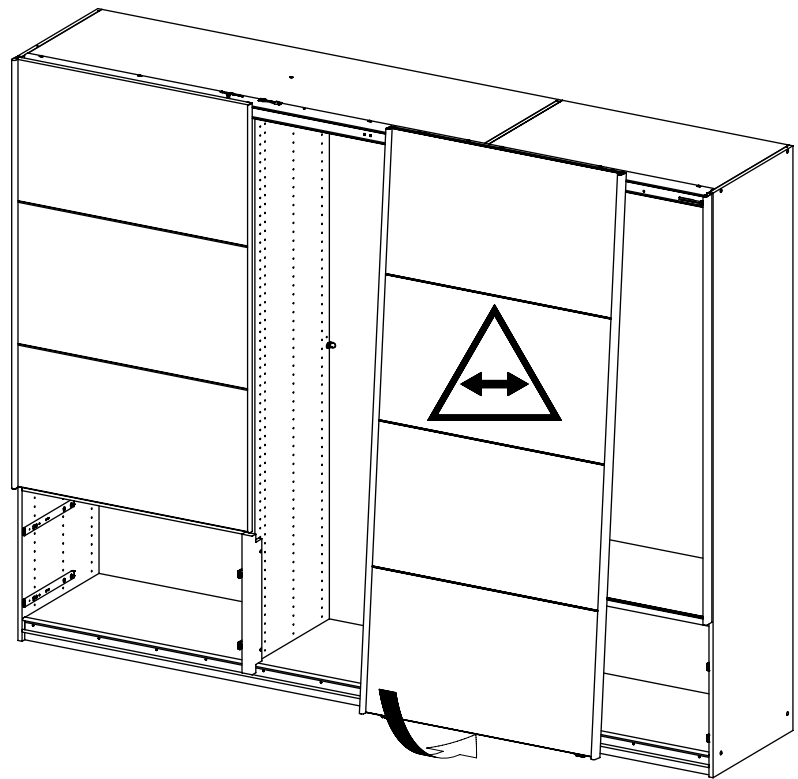
1173



65



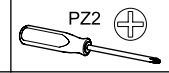
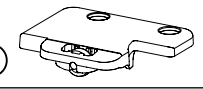
66



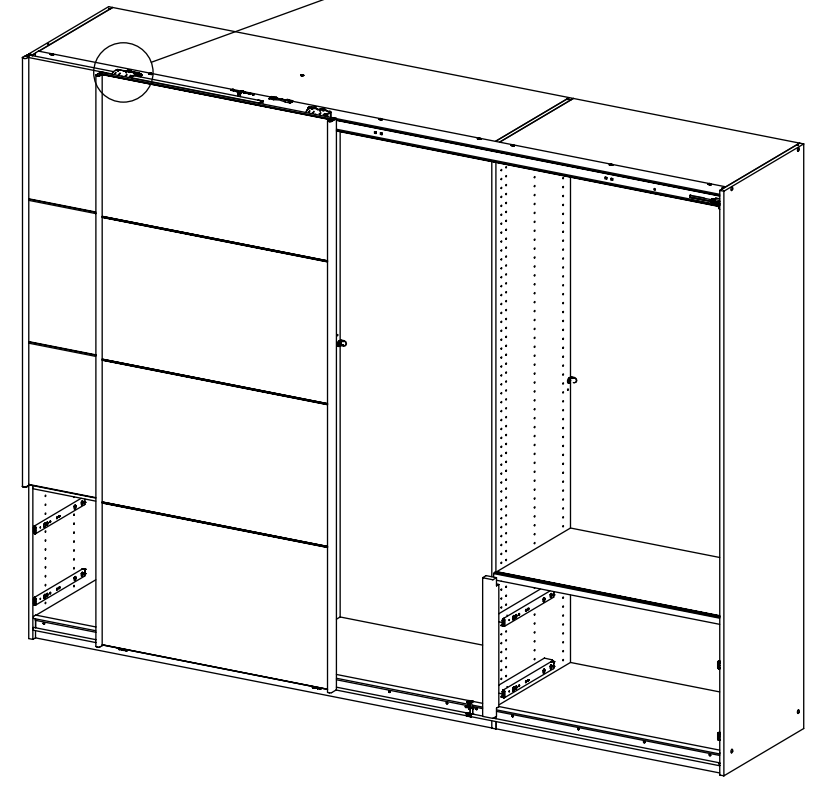
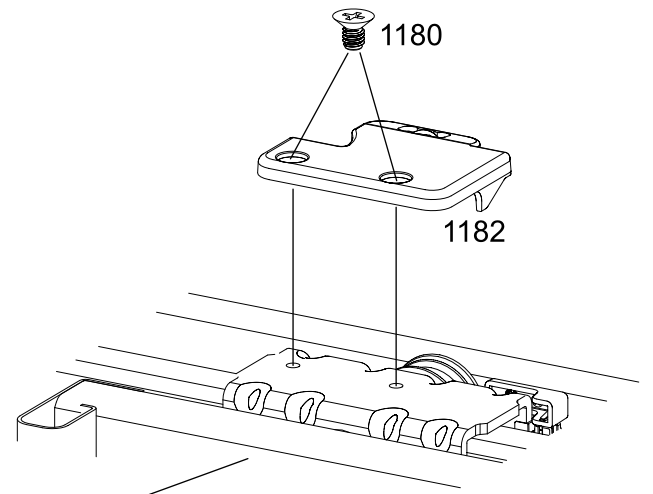
67

2x 1180 M4x6

1x 1182

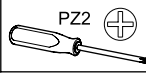


SCAN ME

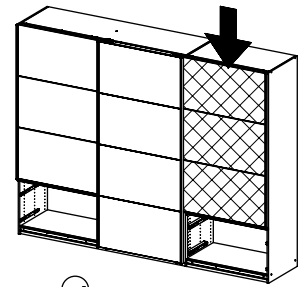


68

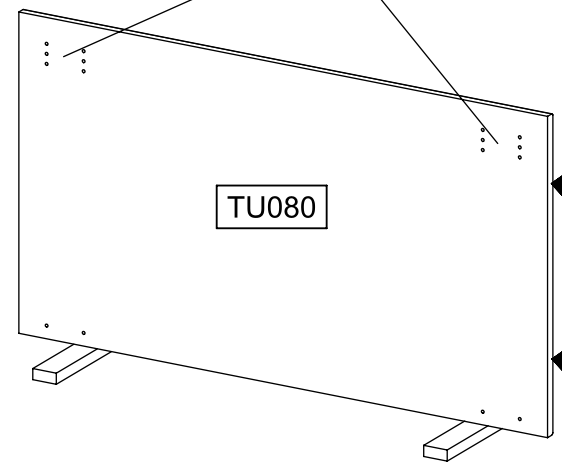
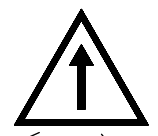
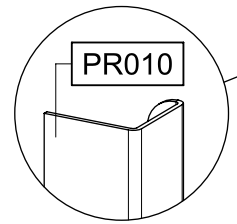
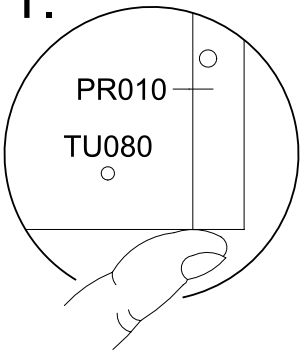
2x 205 3,5x15



SCAN ME



1.



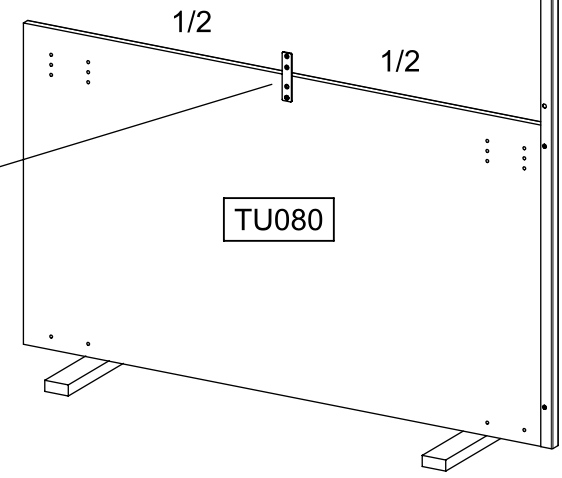
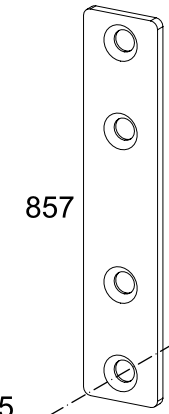
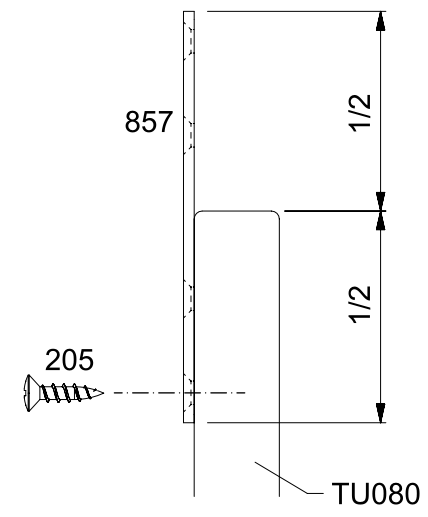
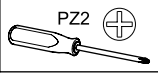
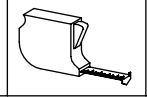
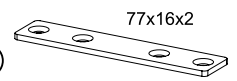
2.

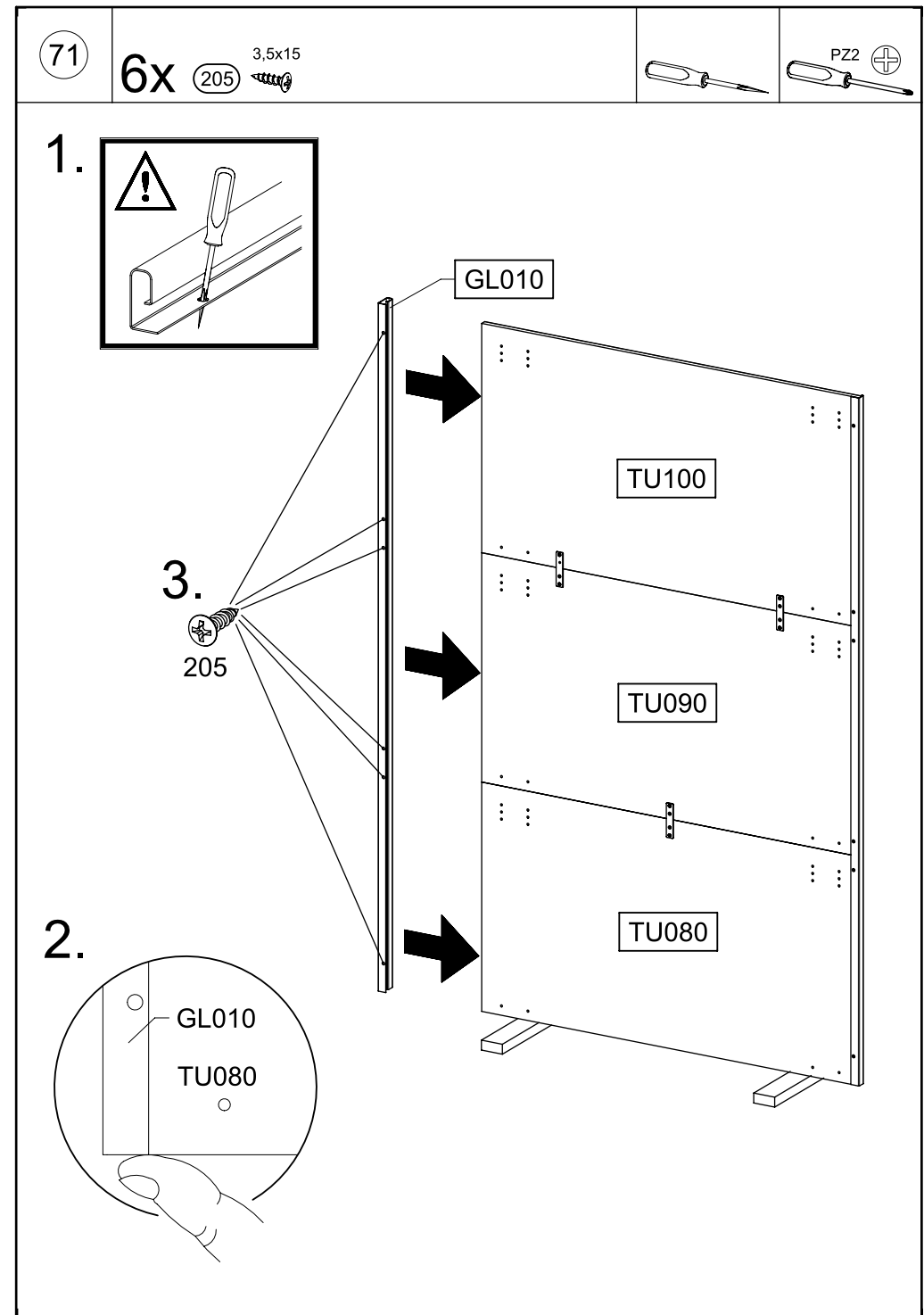
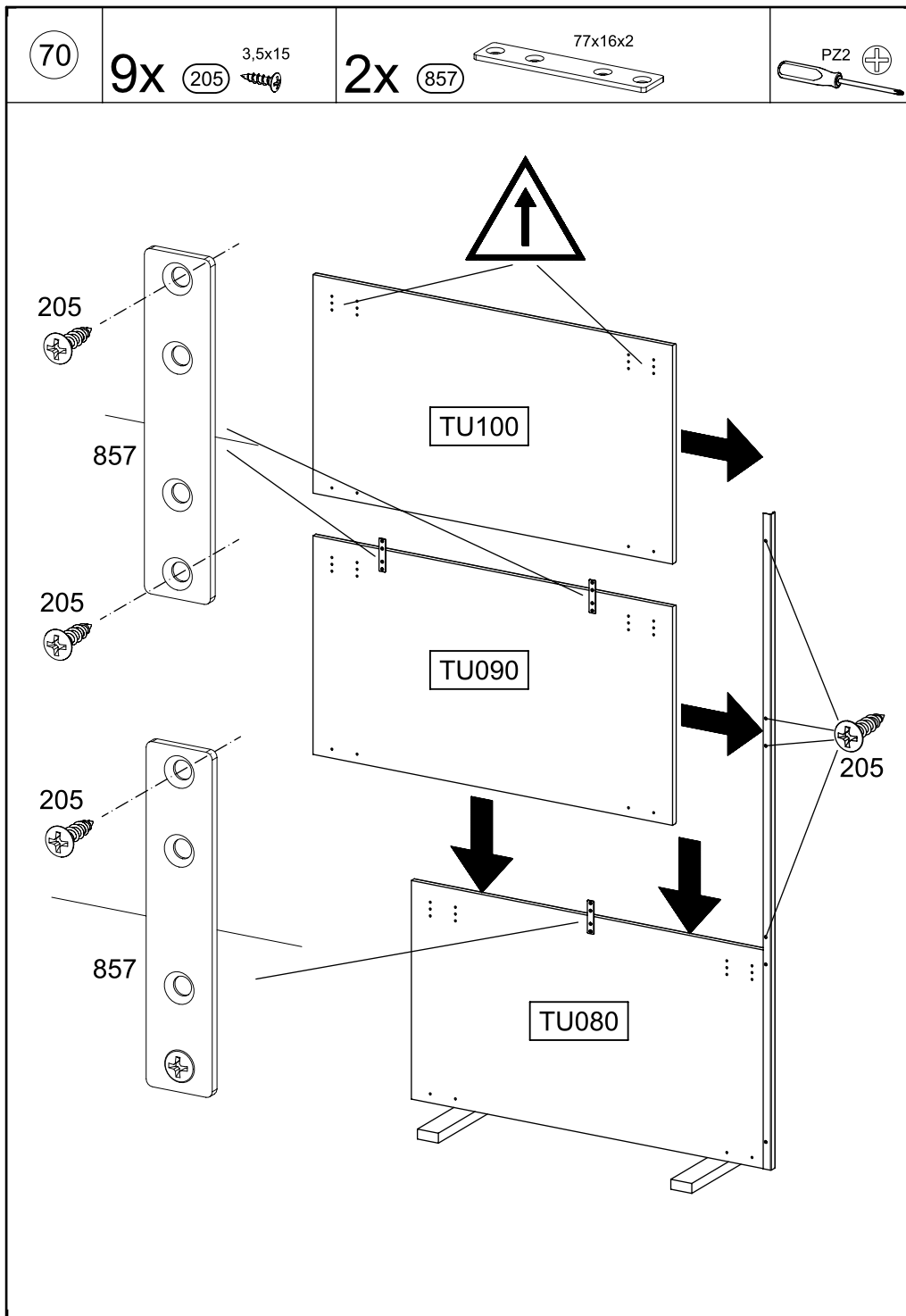


69

1x 205 3,5x15

1x 857





72

1x

1156



1x

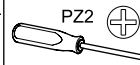
1158



8x

1173

6,3x14

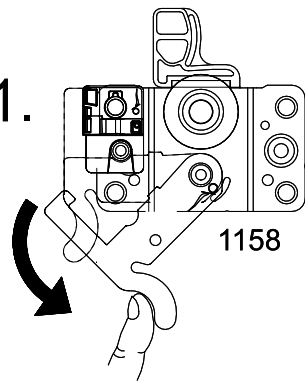


PZ2



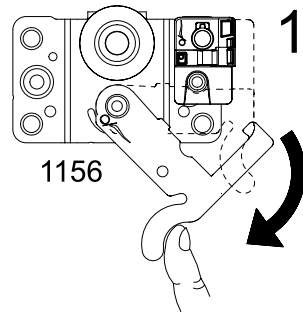
SCAN ME

1.



1158

1.



1156

1158

TU100

1156

2.

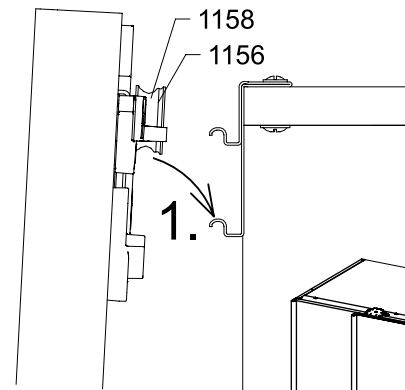
2.

1173

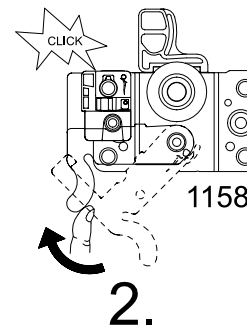
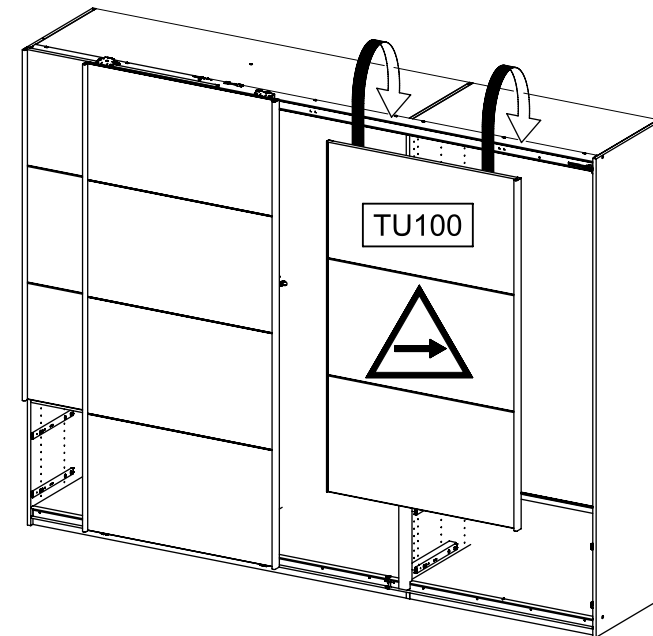
1173

73

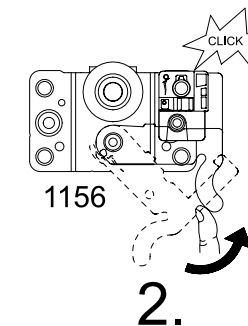
1.



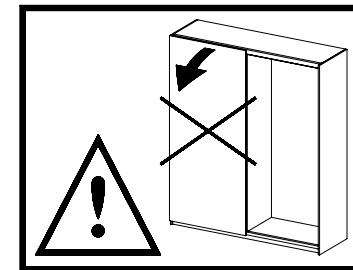
1.

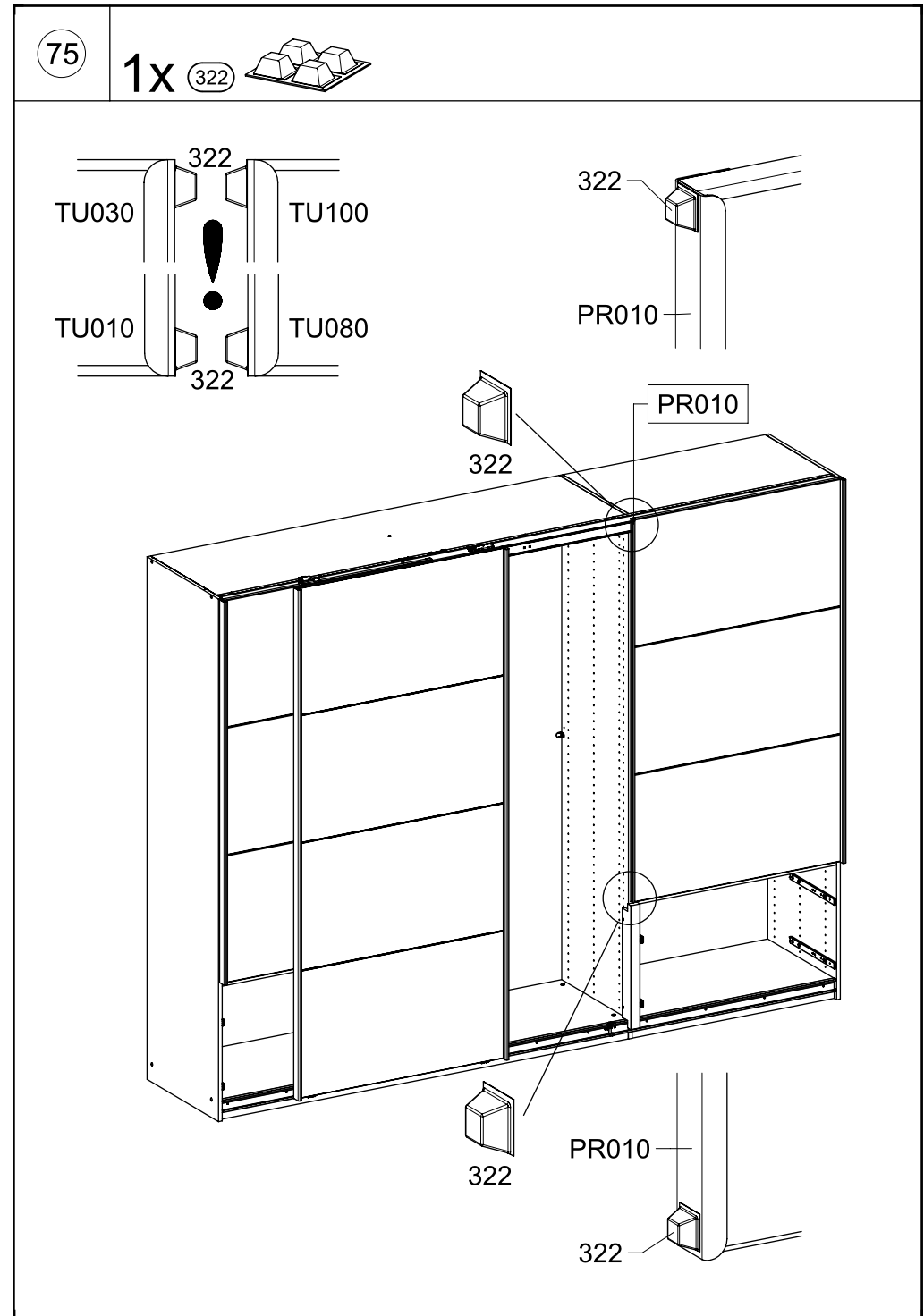
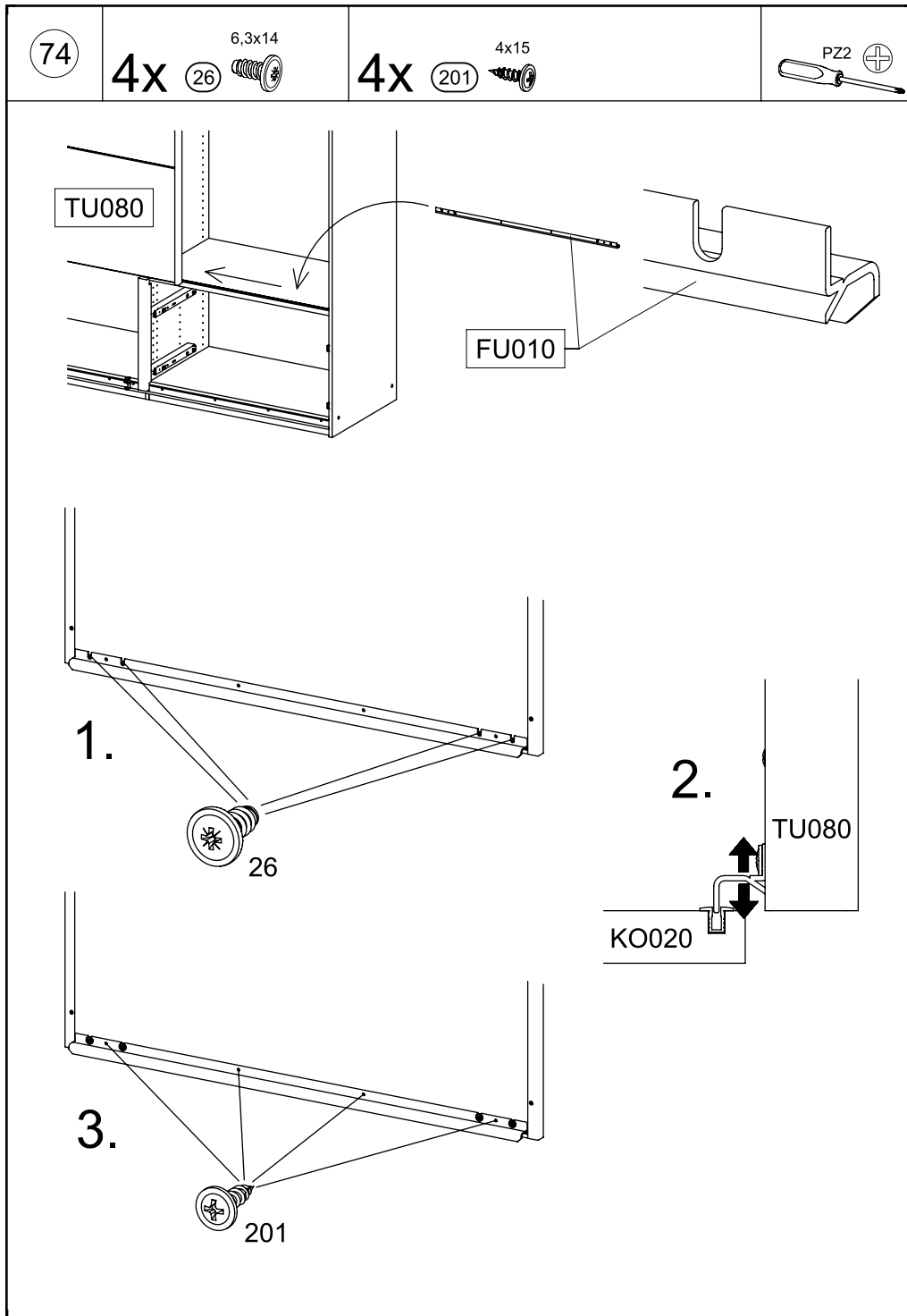


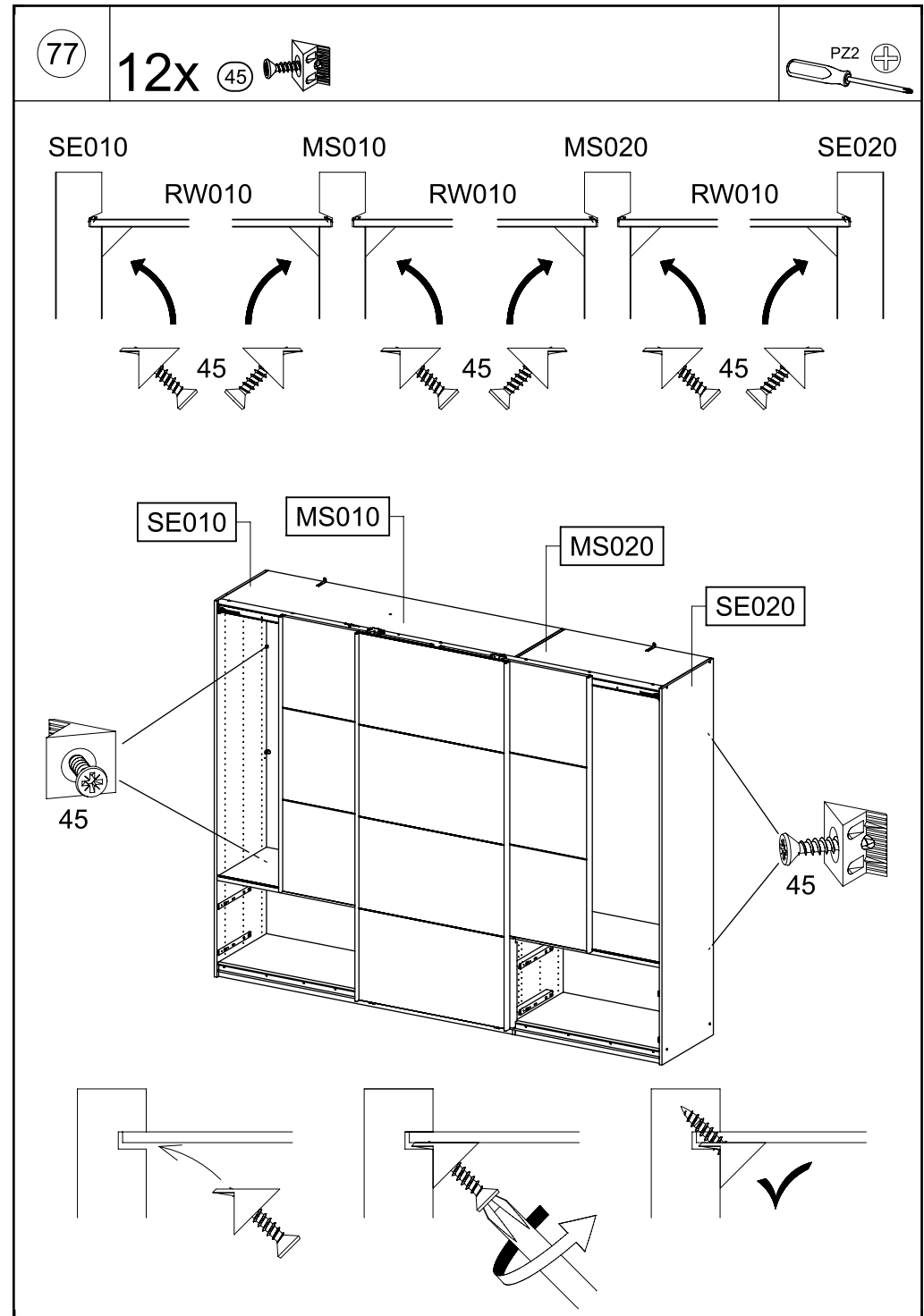
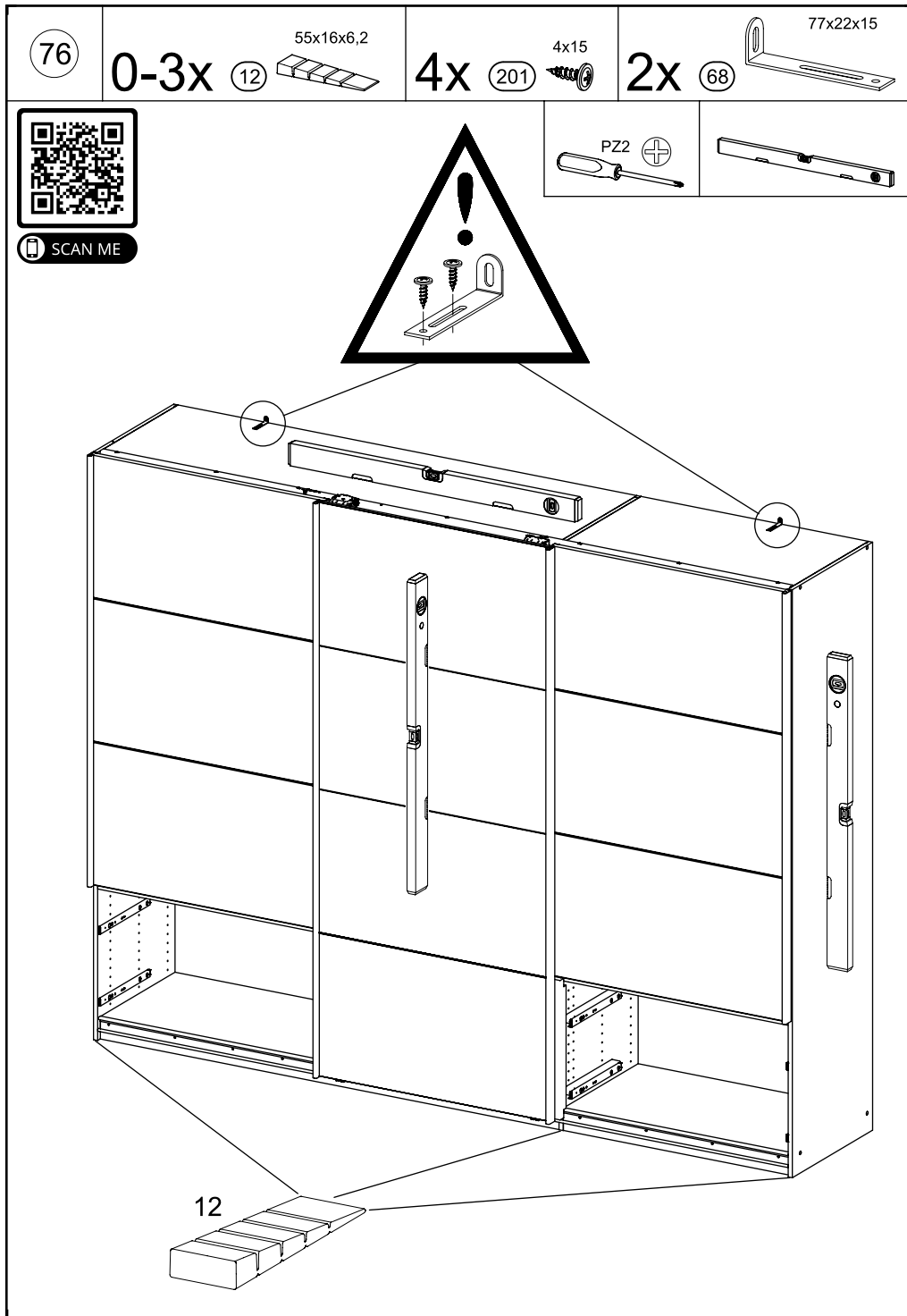
2.



2.

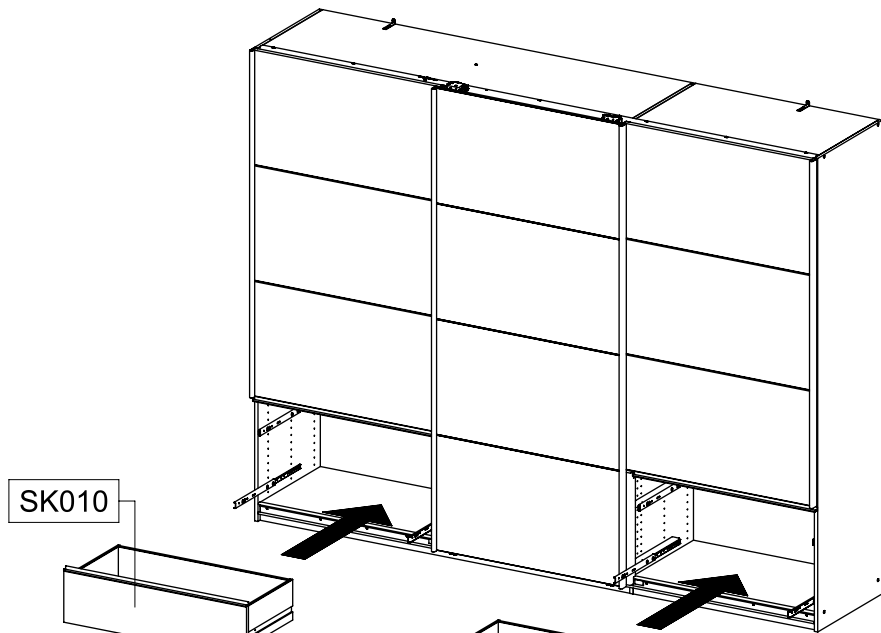
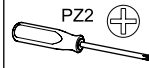






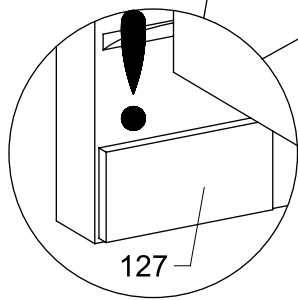
78

4x 568 M4x9



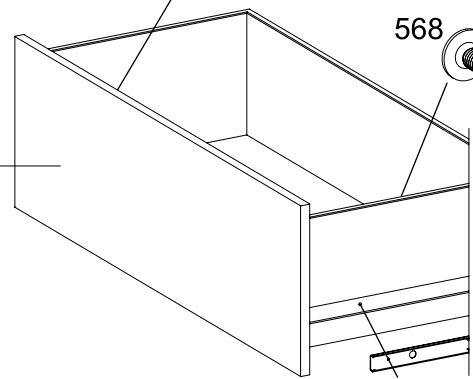
SK010

SK020



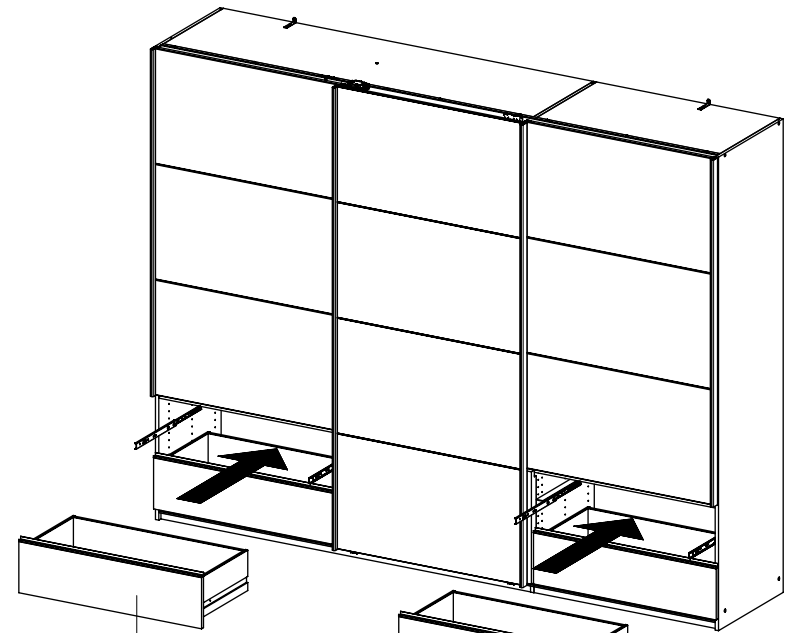
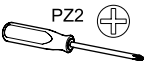
127

SK010  
SK020



79

4x 568 M4x9

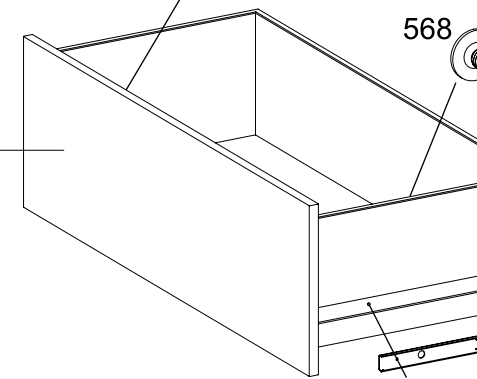


SK030

SK040



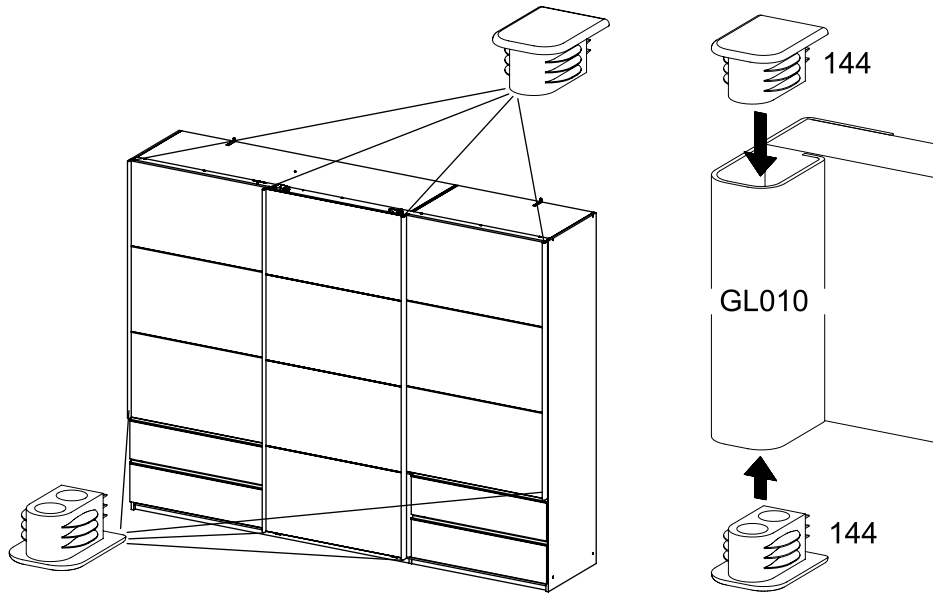
SK030  
SK040



80

8x

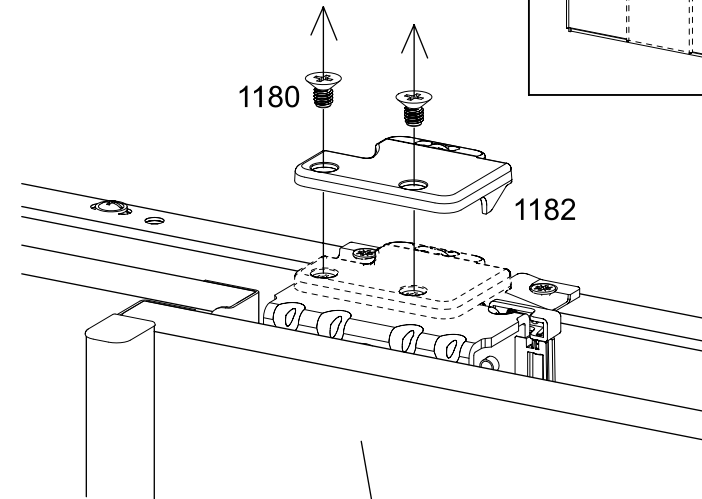
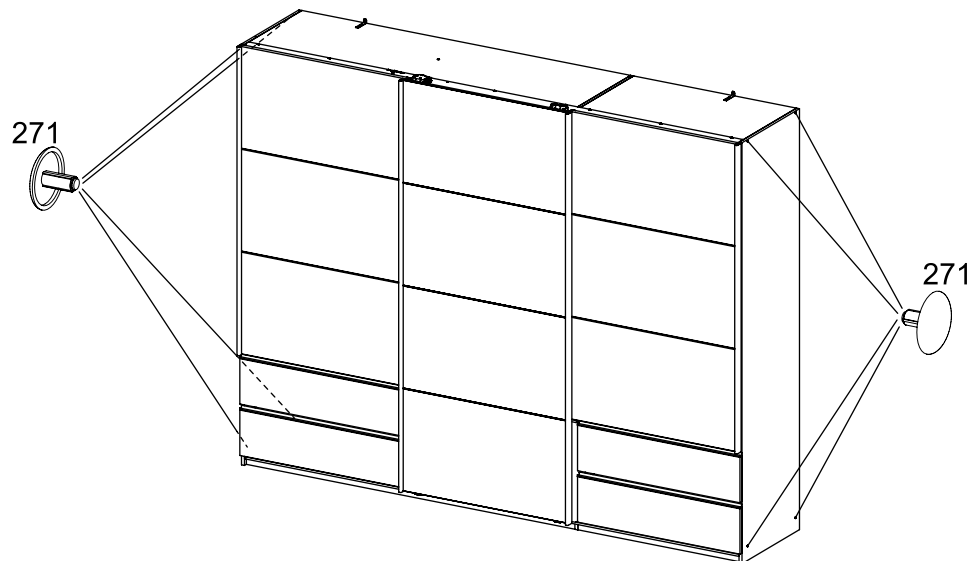
144



81

8x

271



1180

1182

