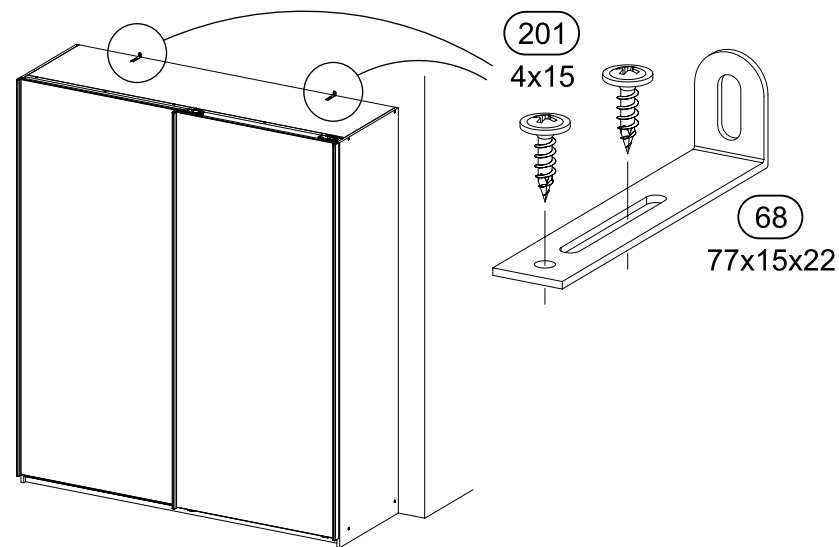
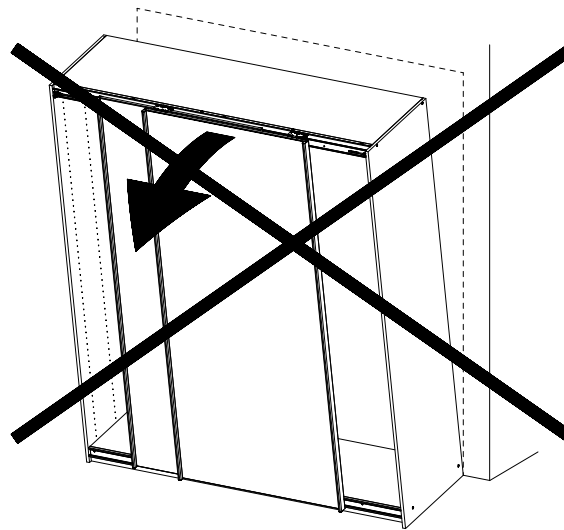
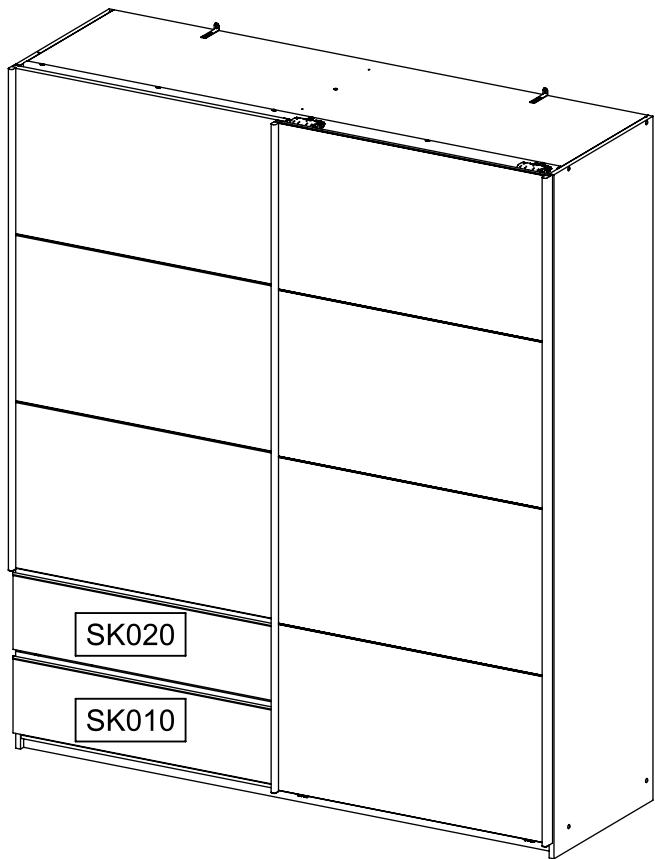
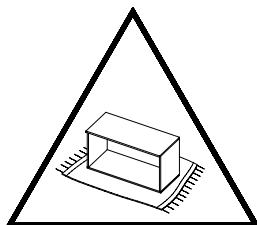
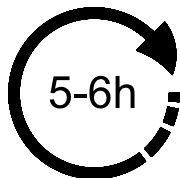
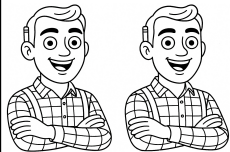
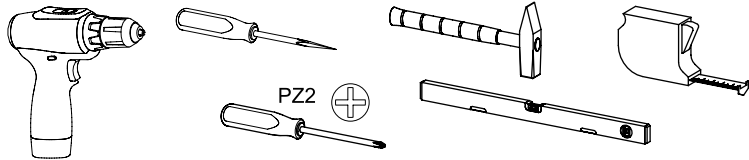


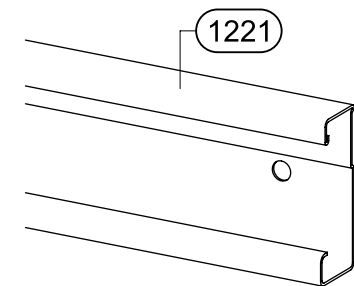
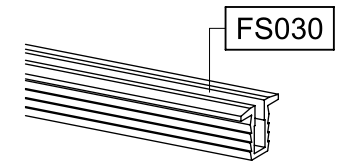
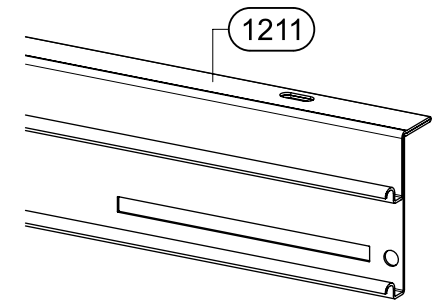
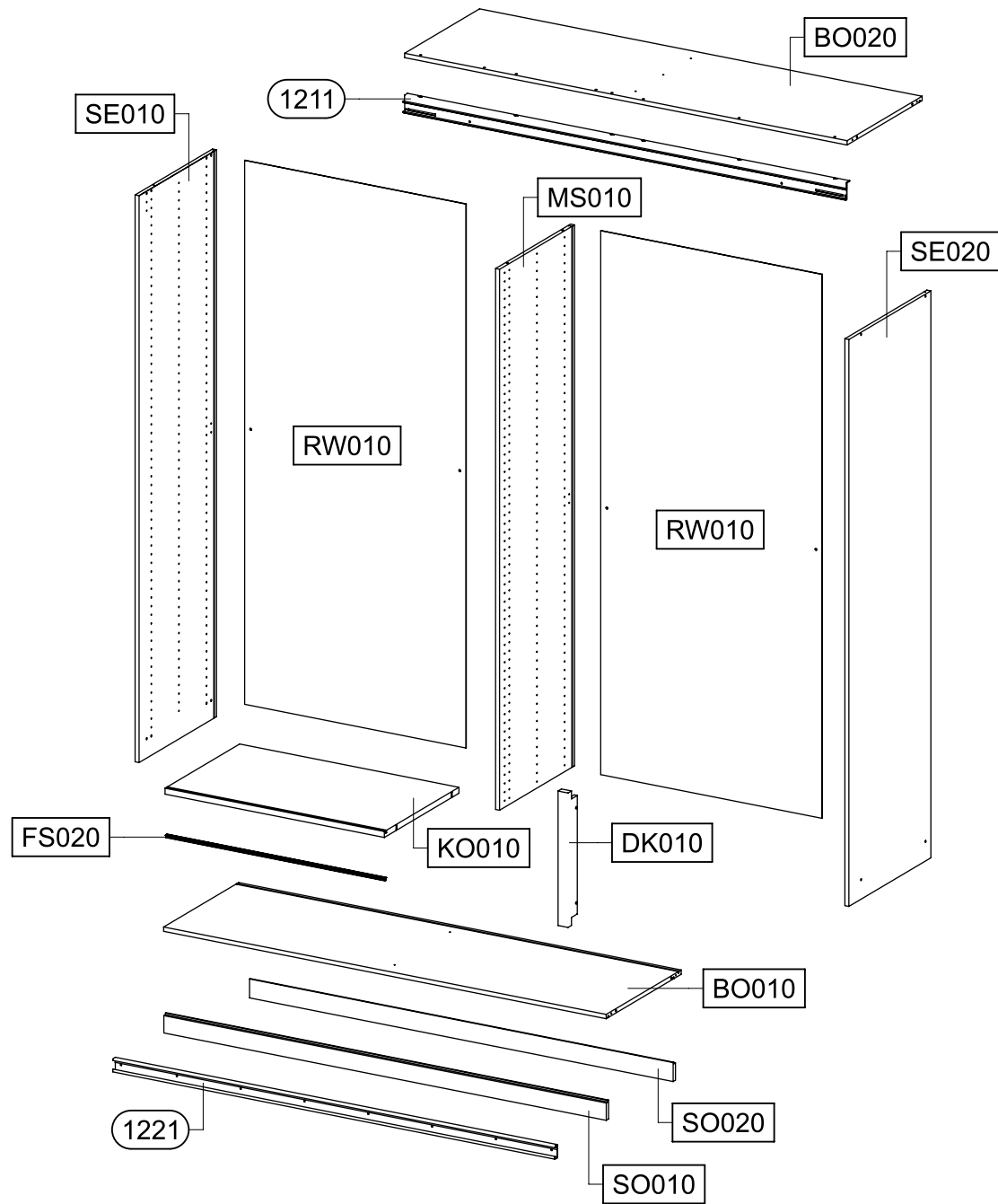
M2934_03

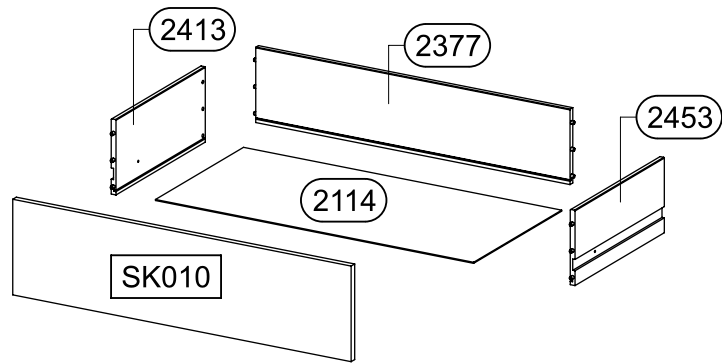
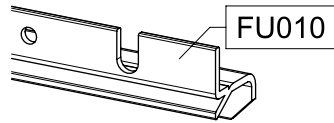
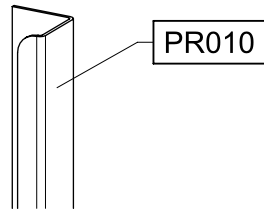
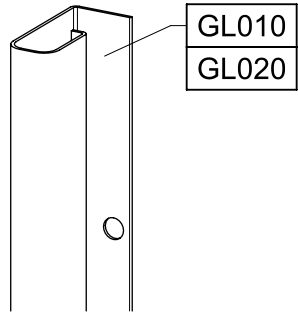


VIDEO

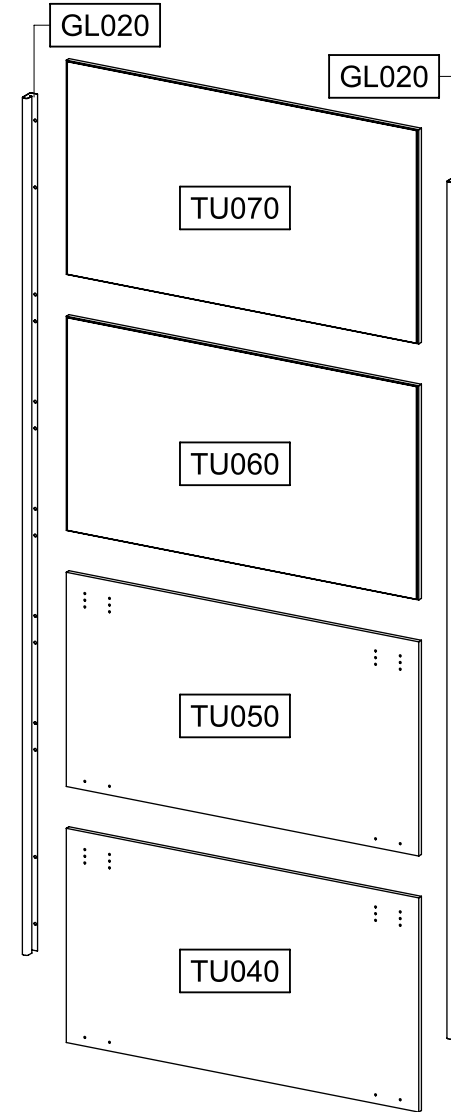
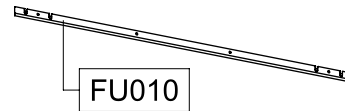
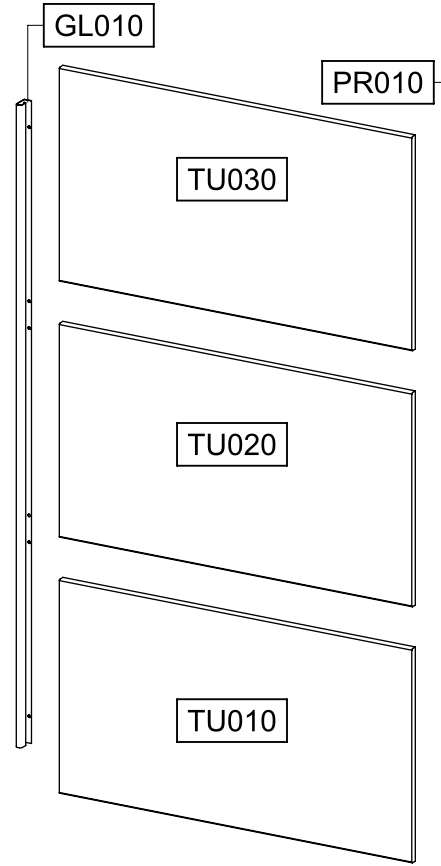


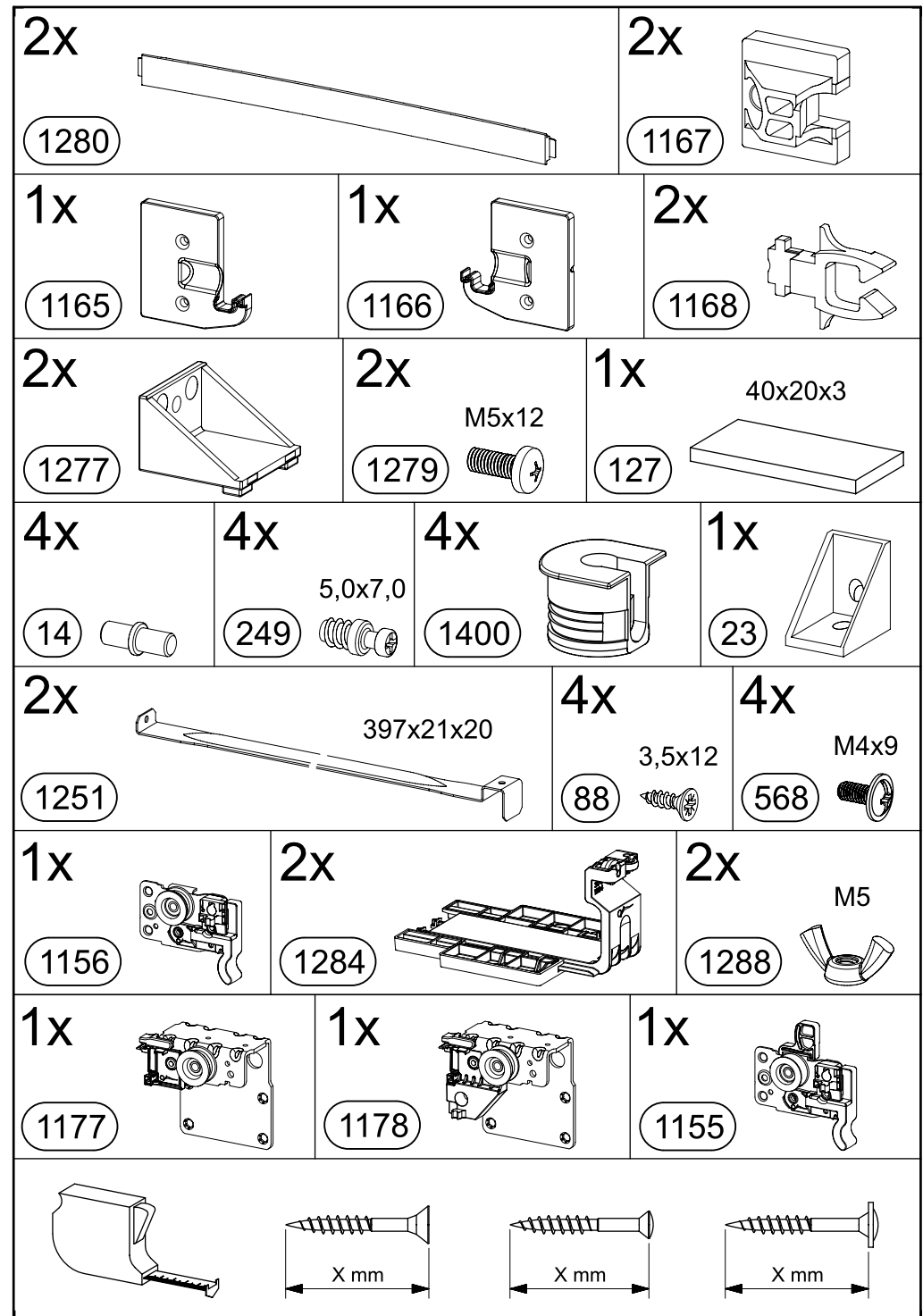
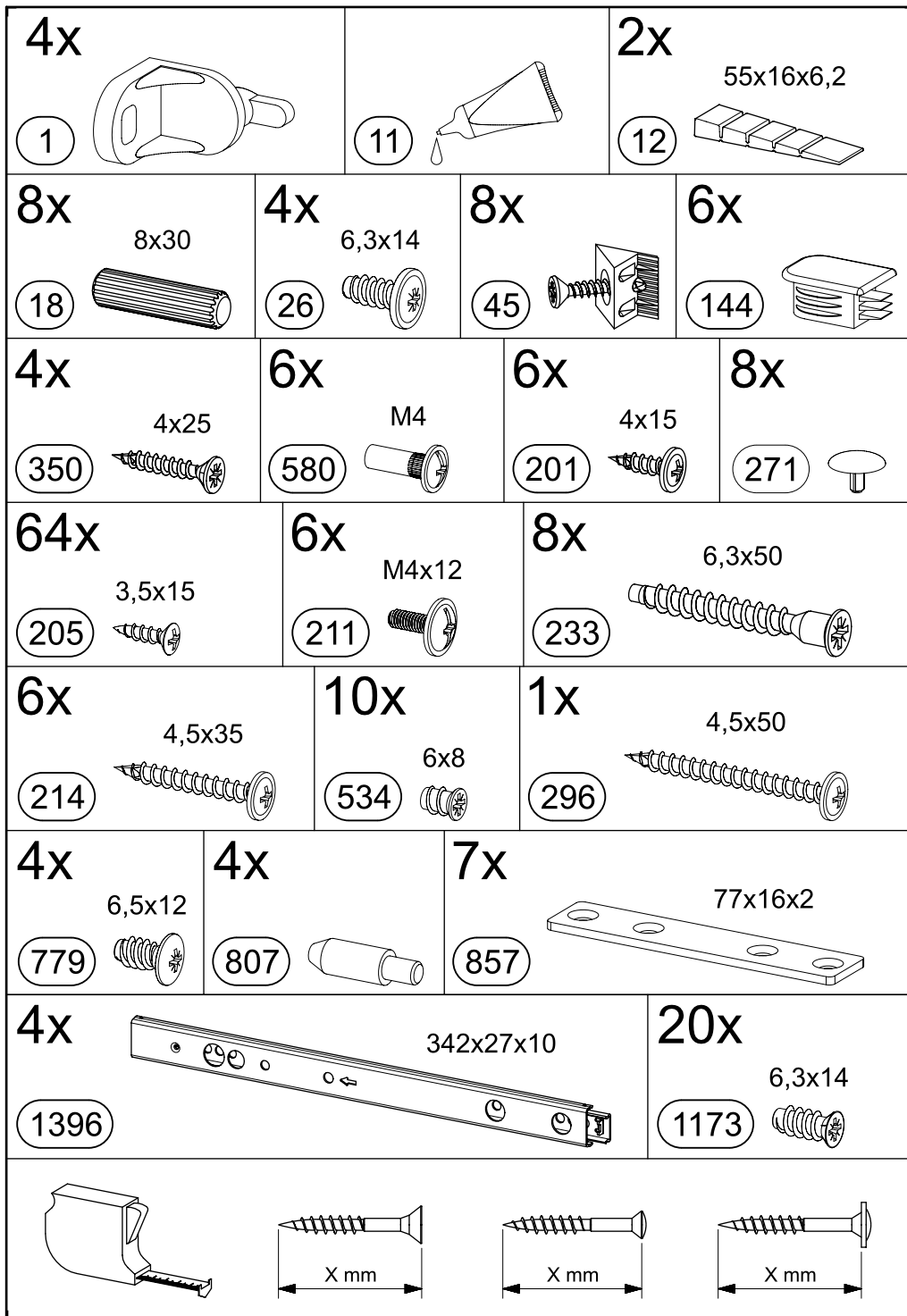
SCAN ME





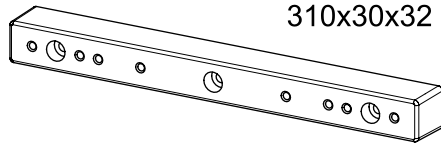
SK010 = SK020





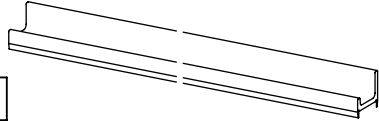
2x

310x30x32

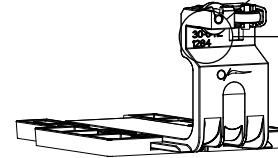
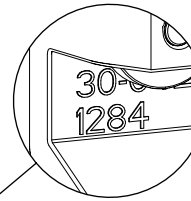
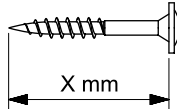
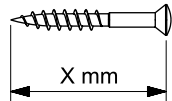
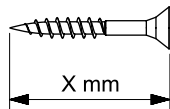
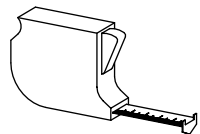


1399

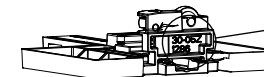
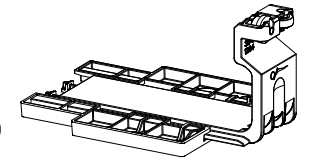
2x



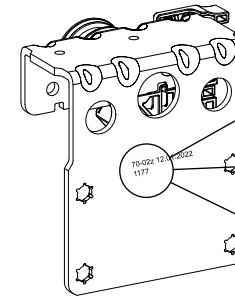
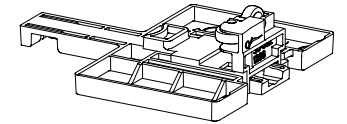
GR010



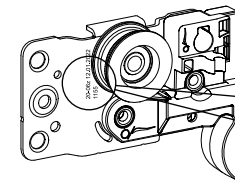
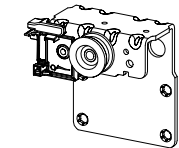
1284



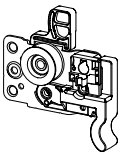
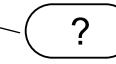
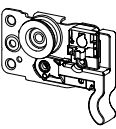
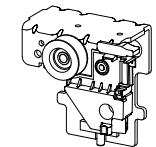
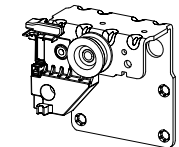
?

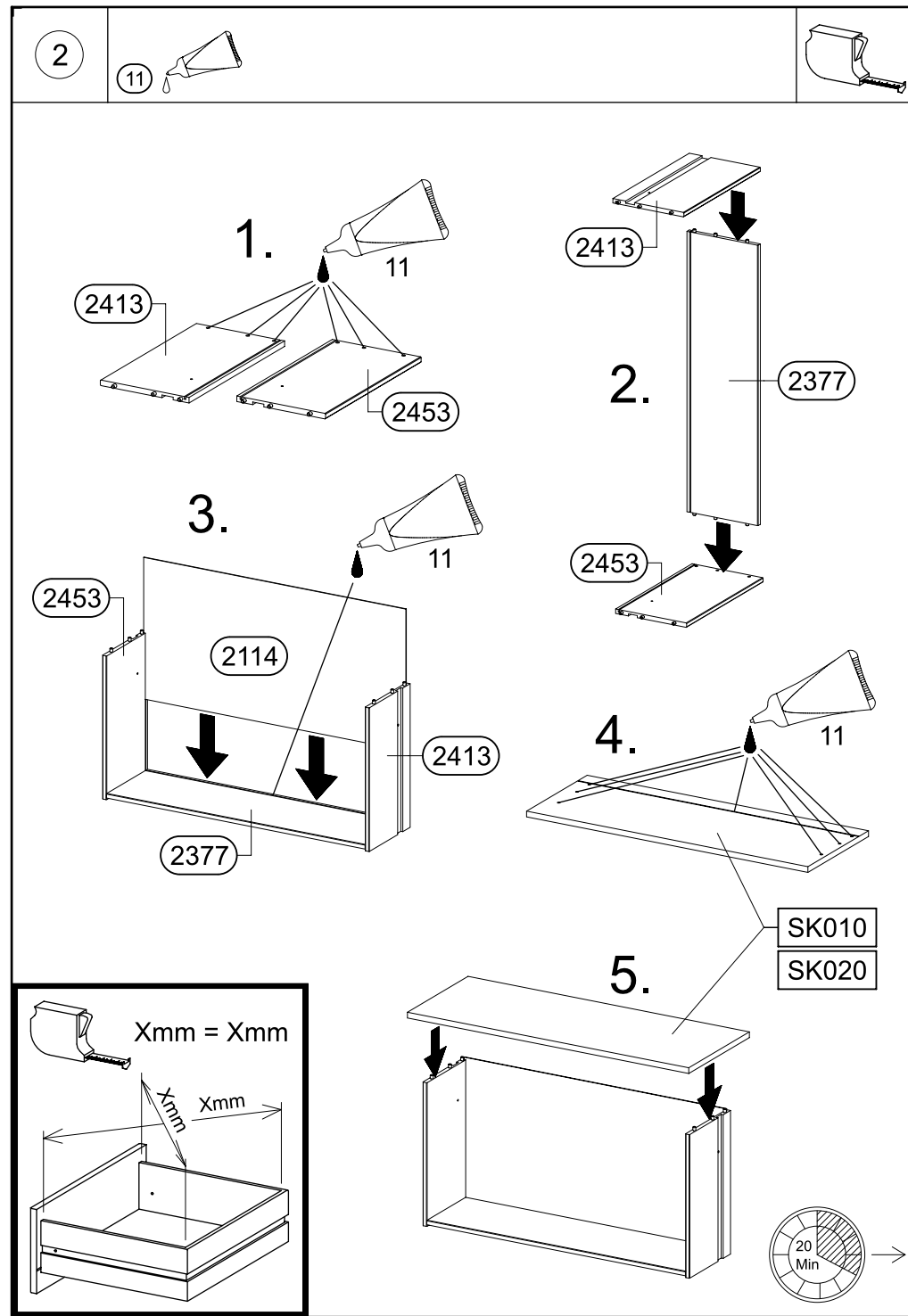
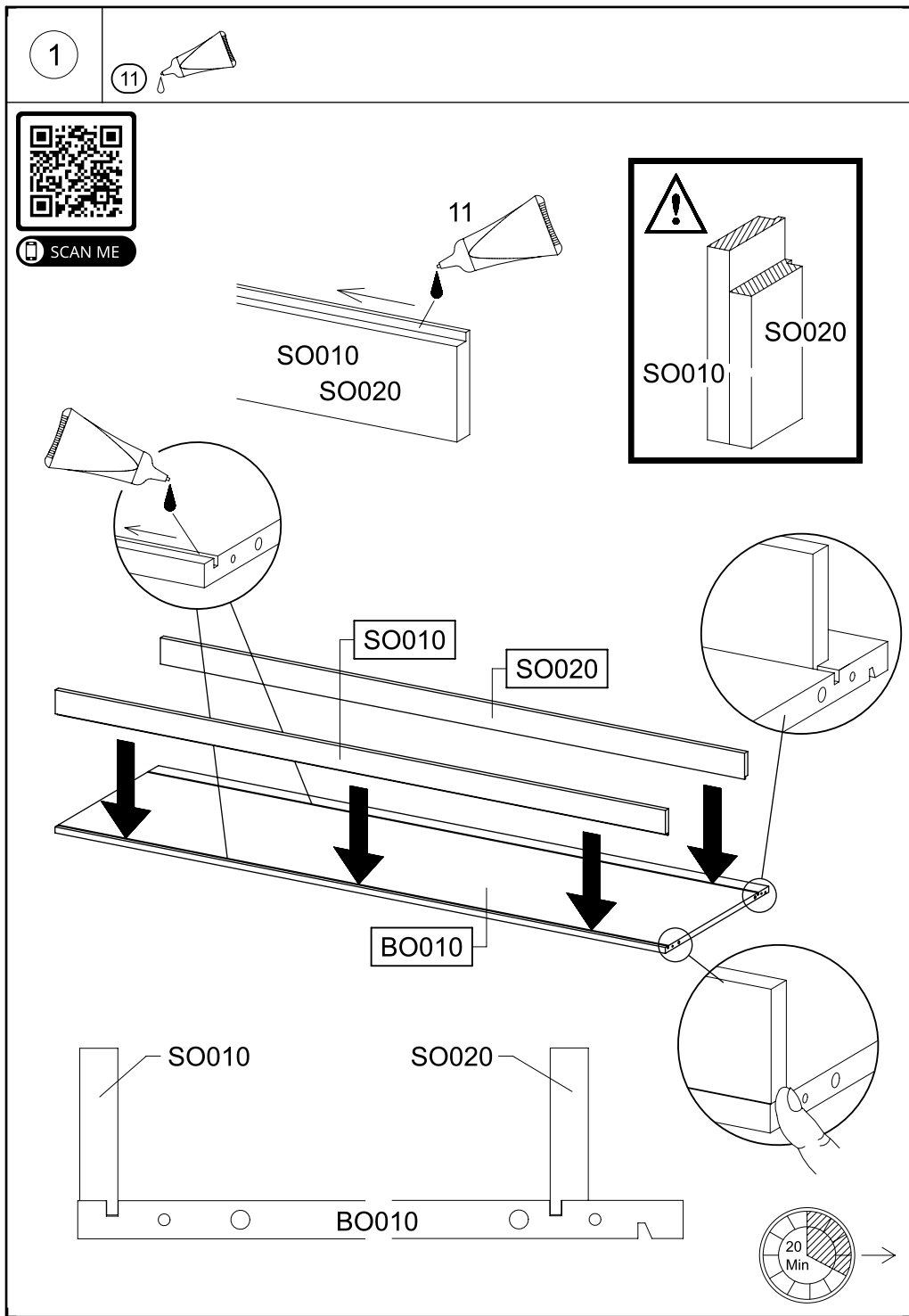


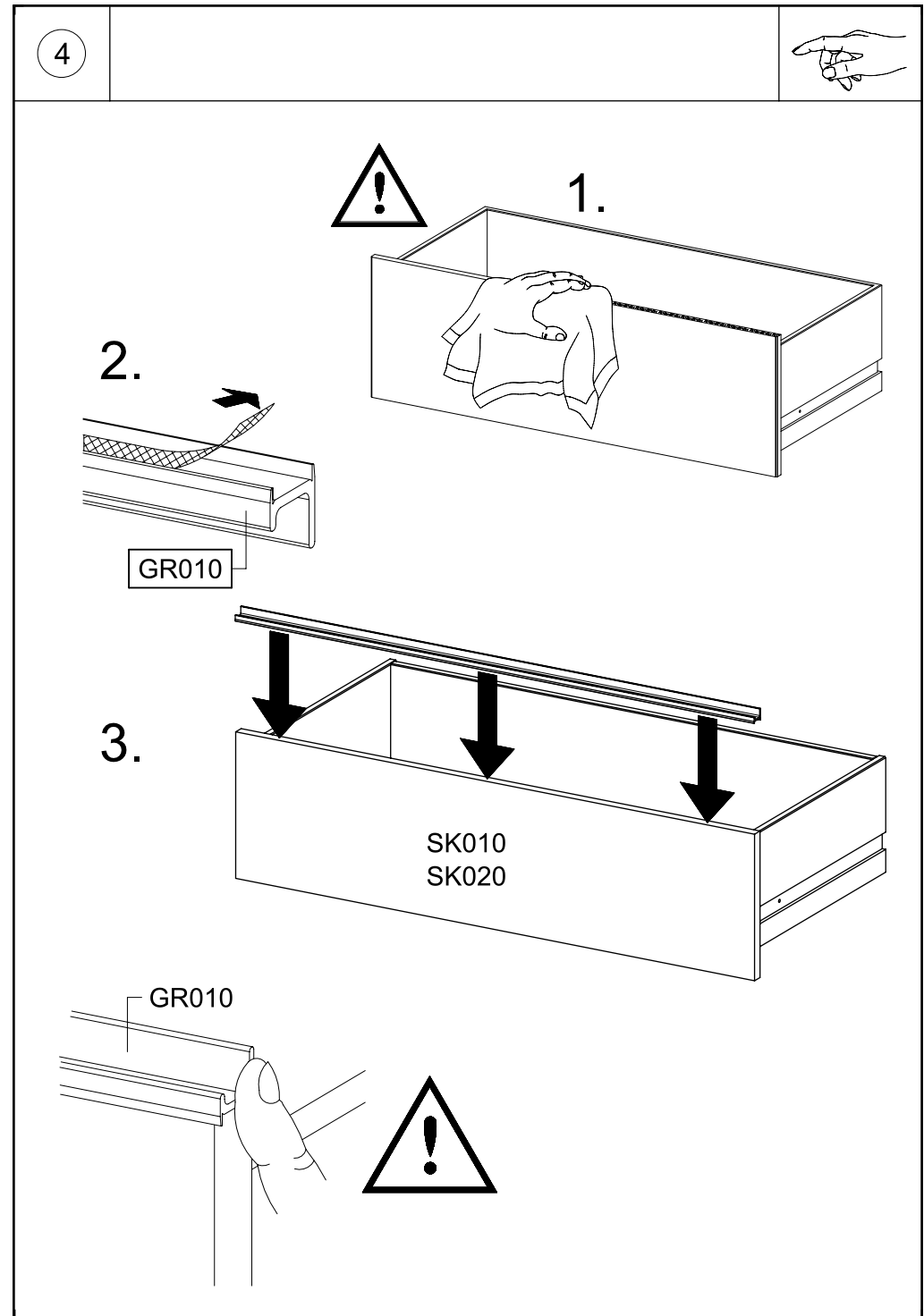
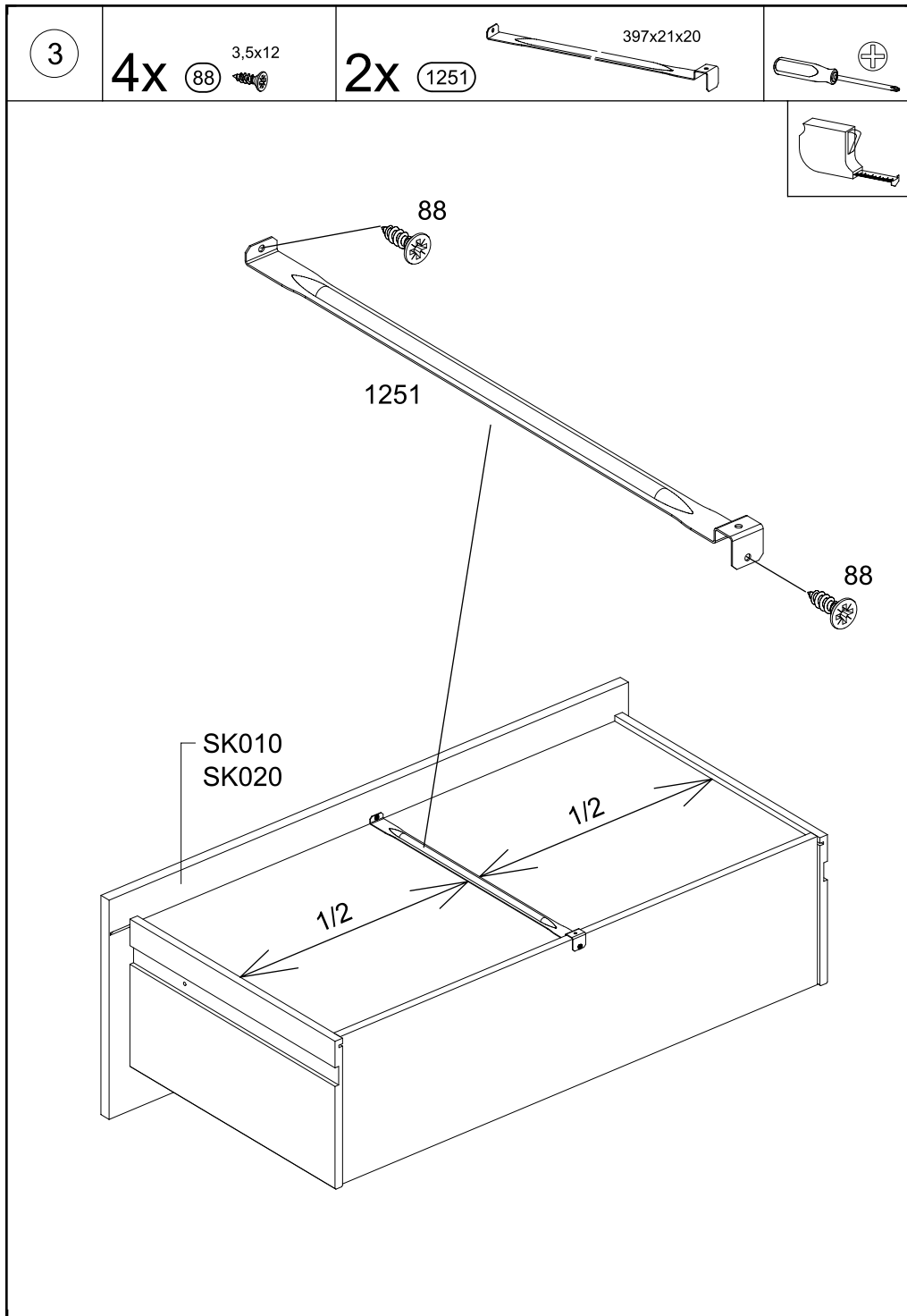
?

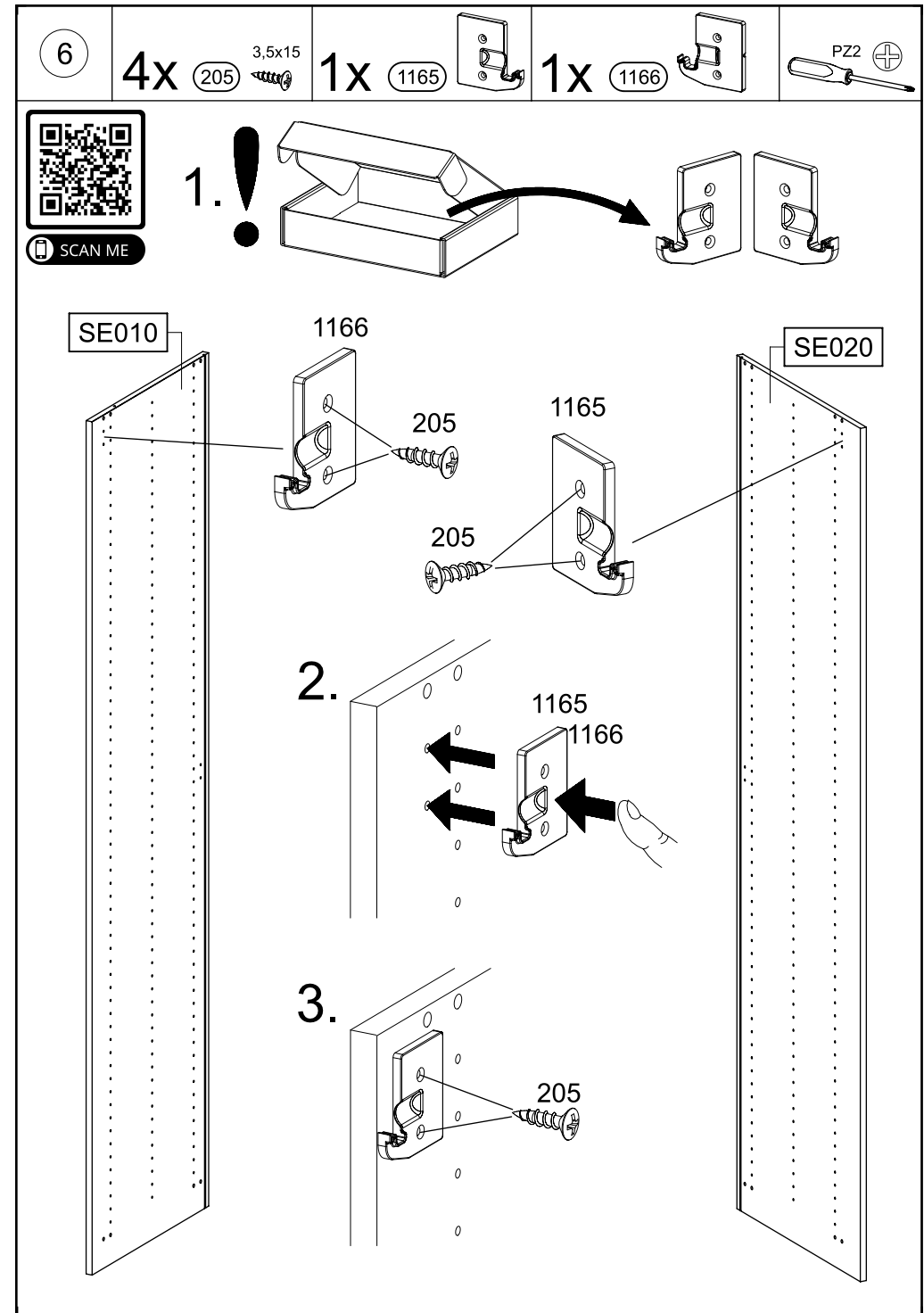
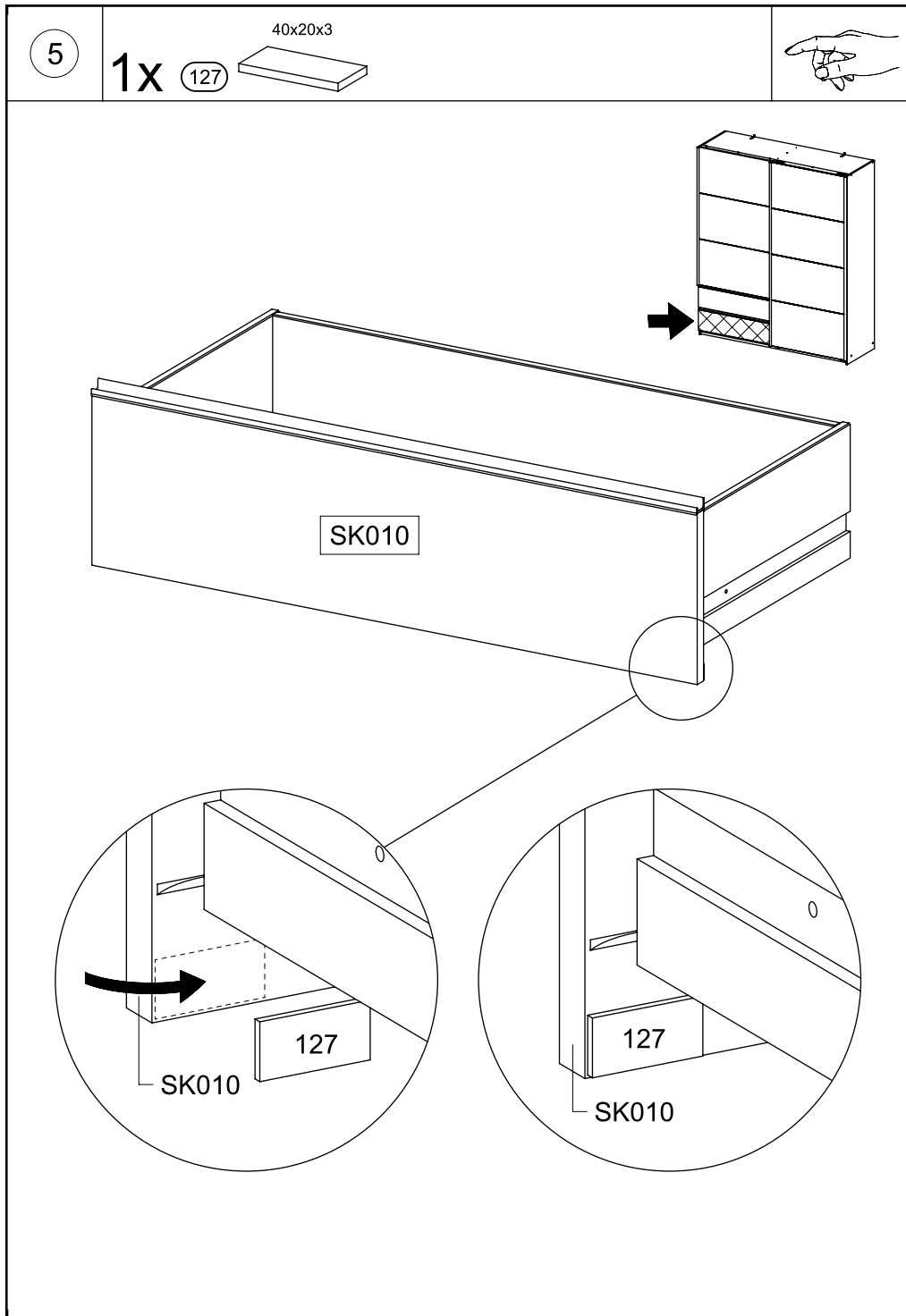


?









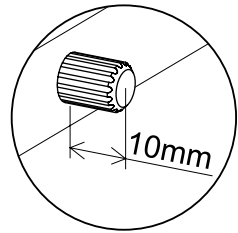
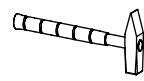
7

4x

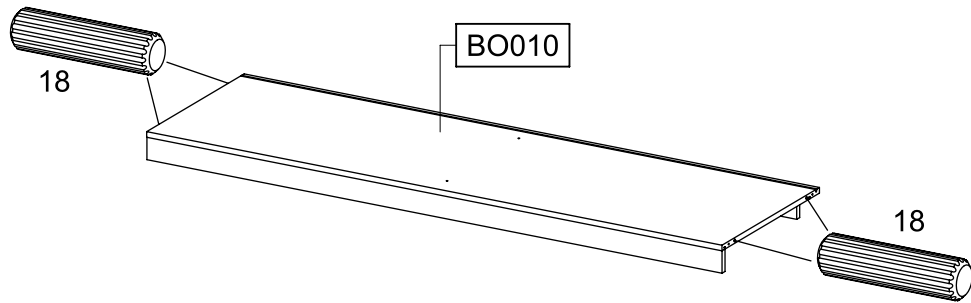
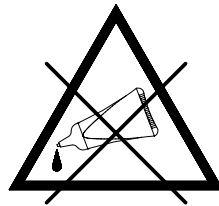


8x30

18



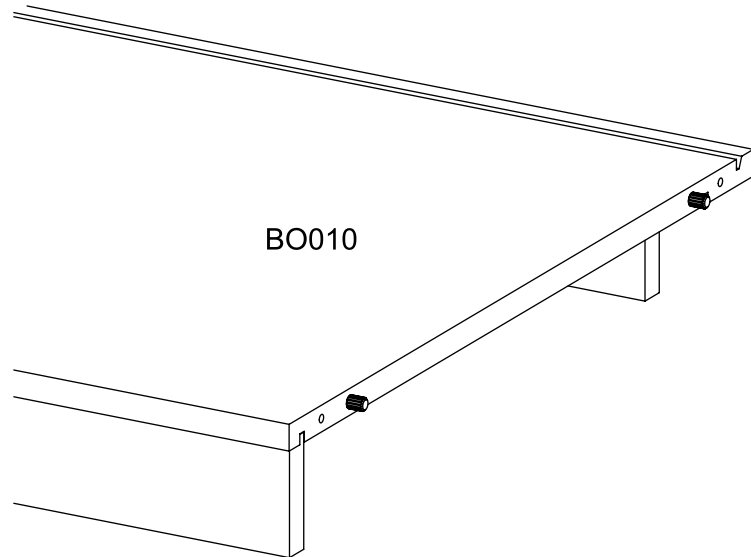
10mm



BO010

18

18

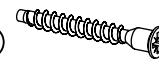


BO010

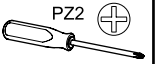
8

4x

6,3x50

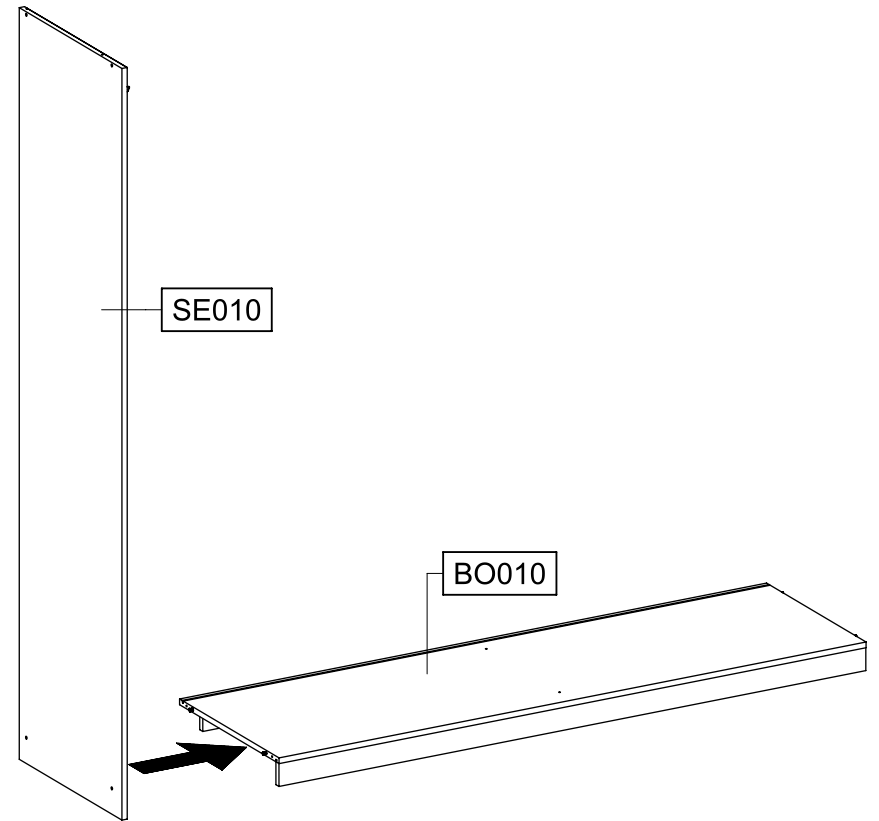


233



PZ2

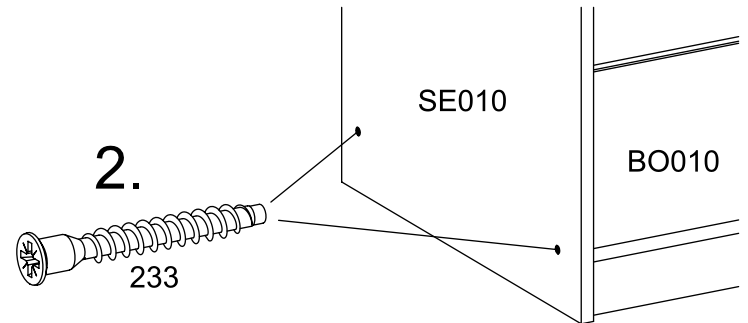
1.



SE010

BO010

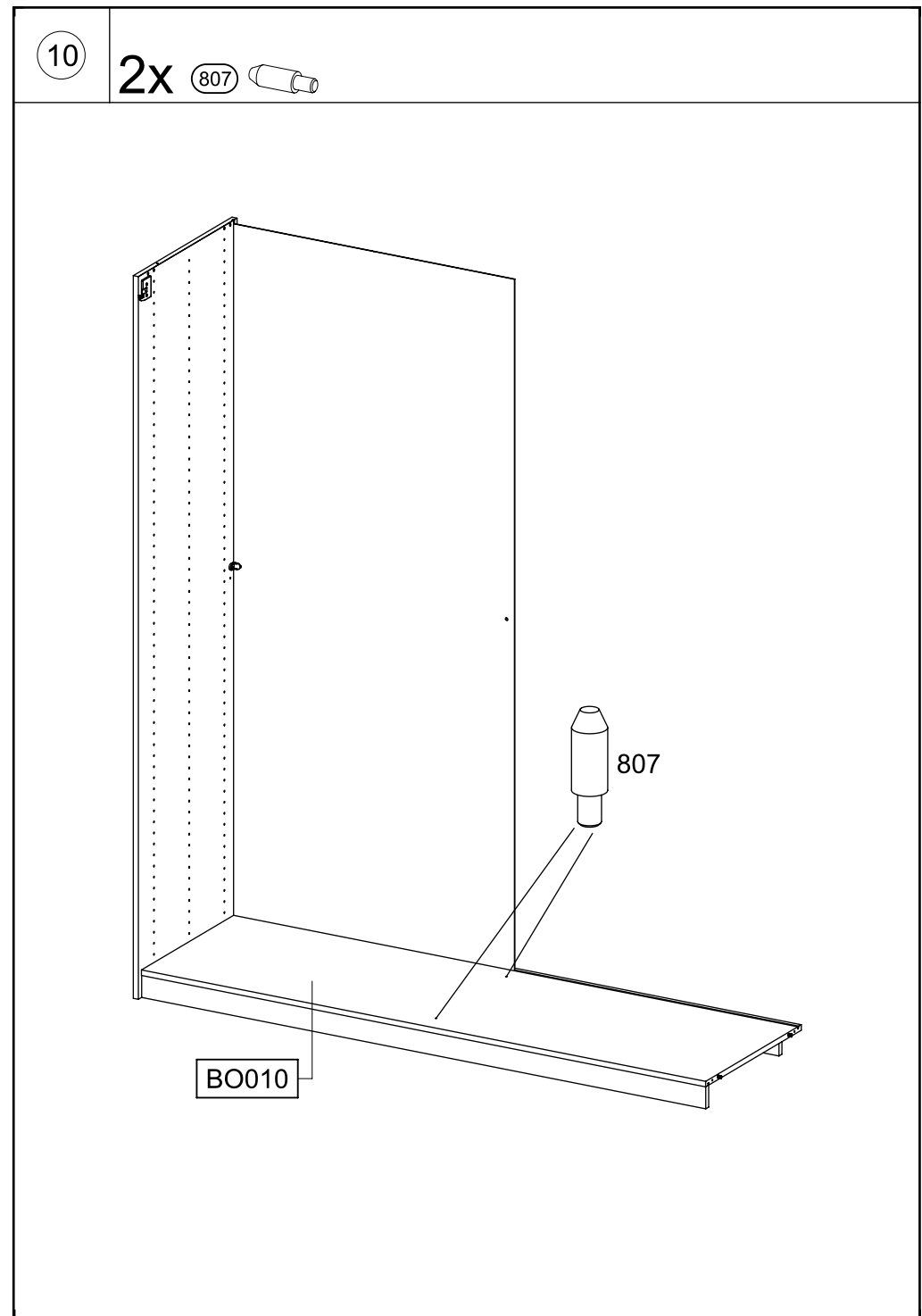
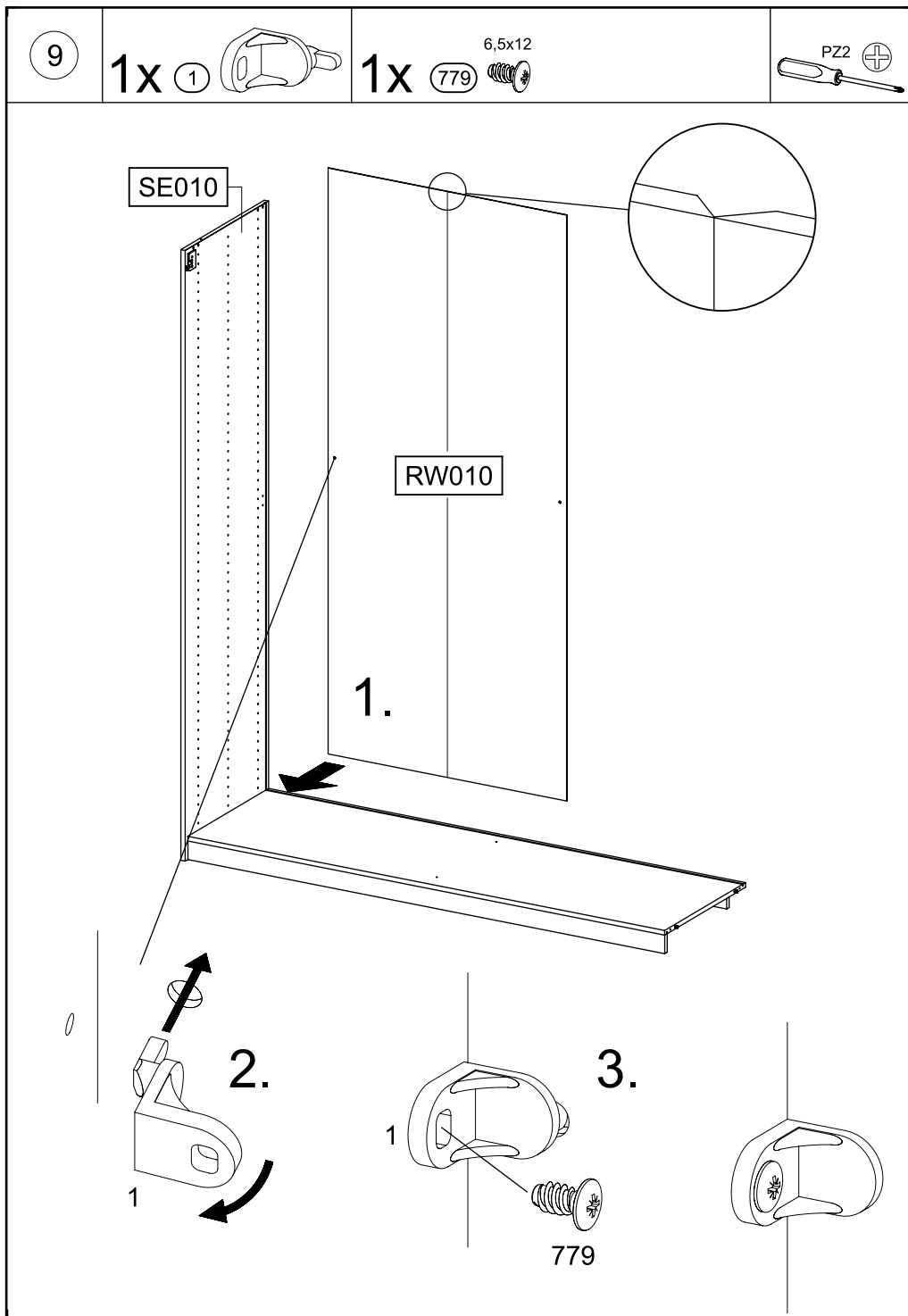
2.

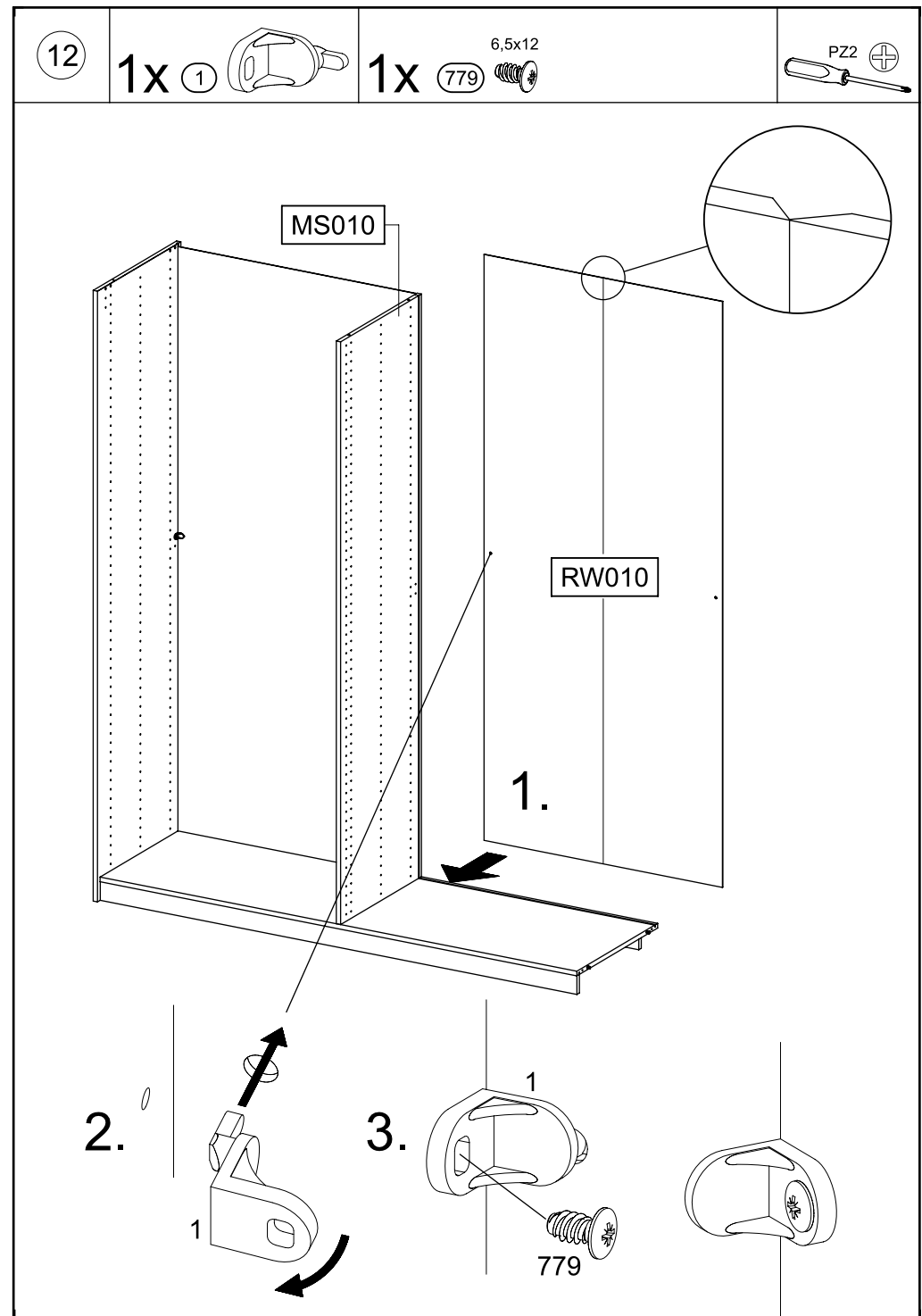
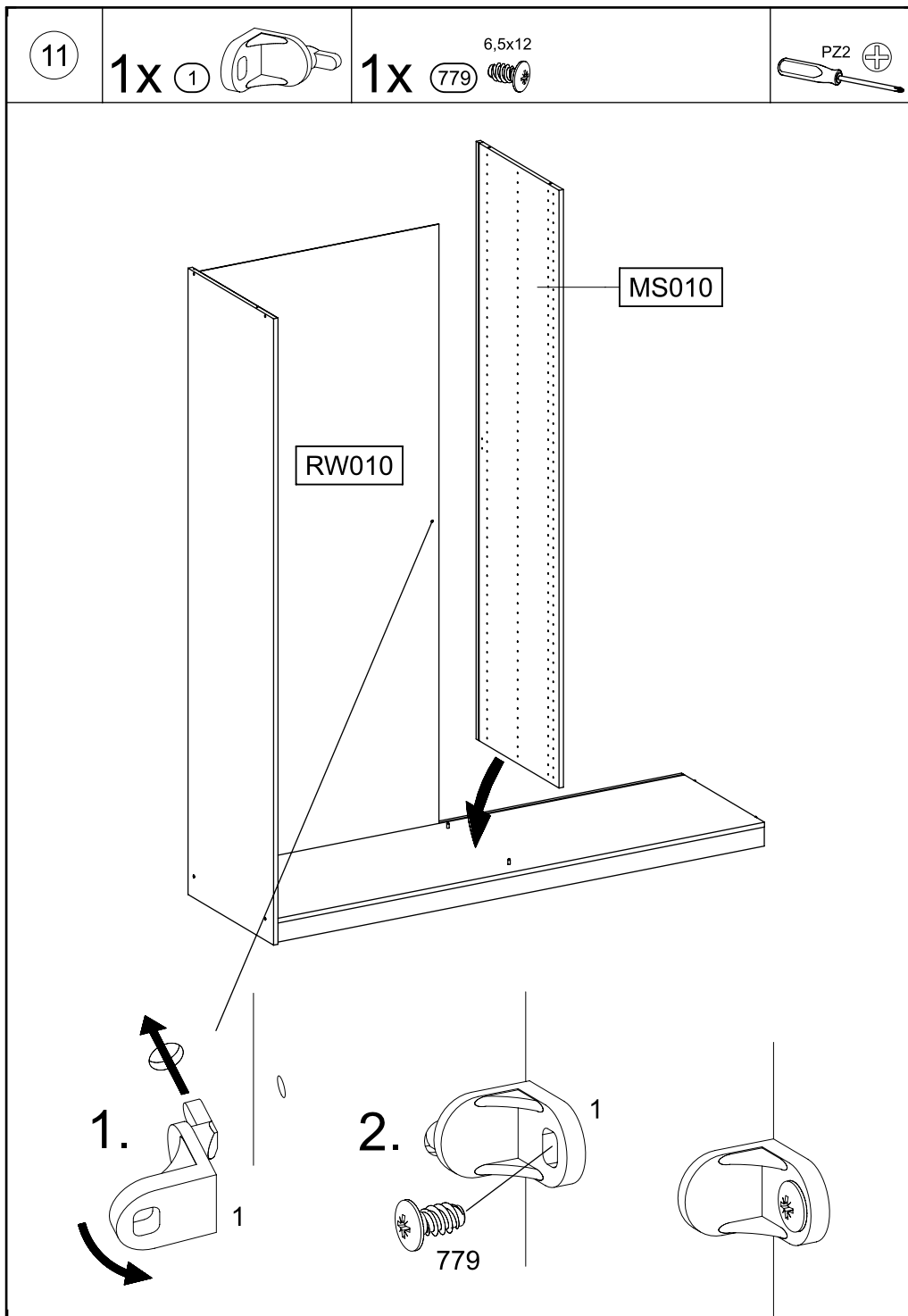


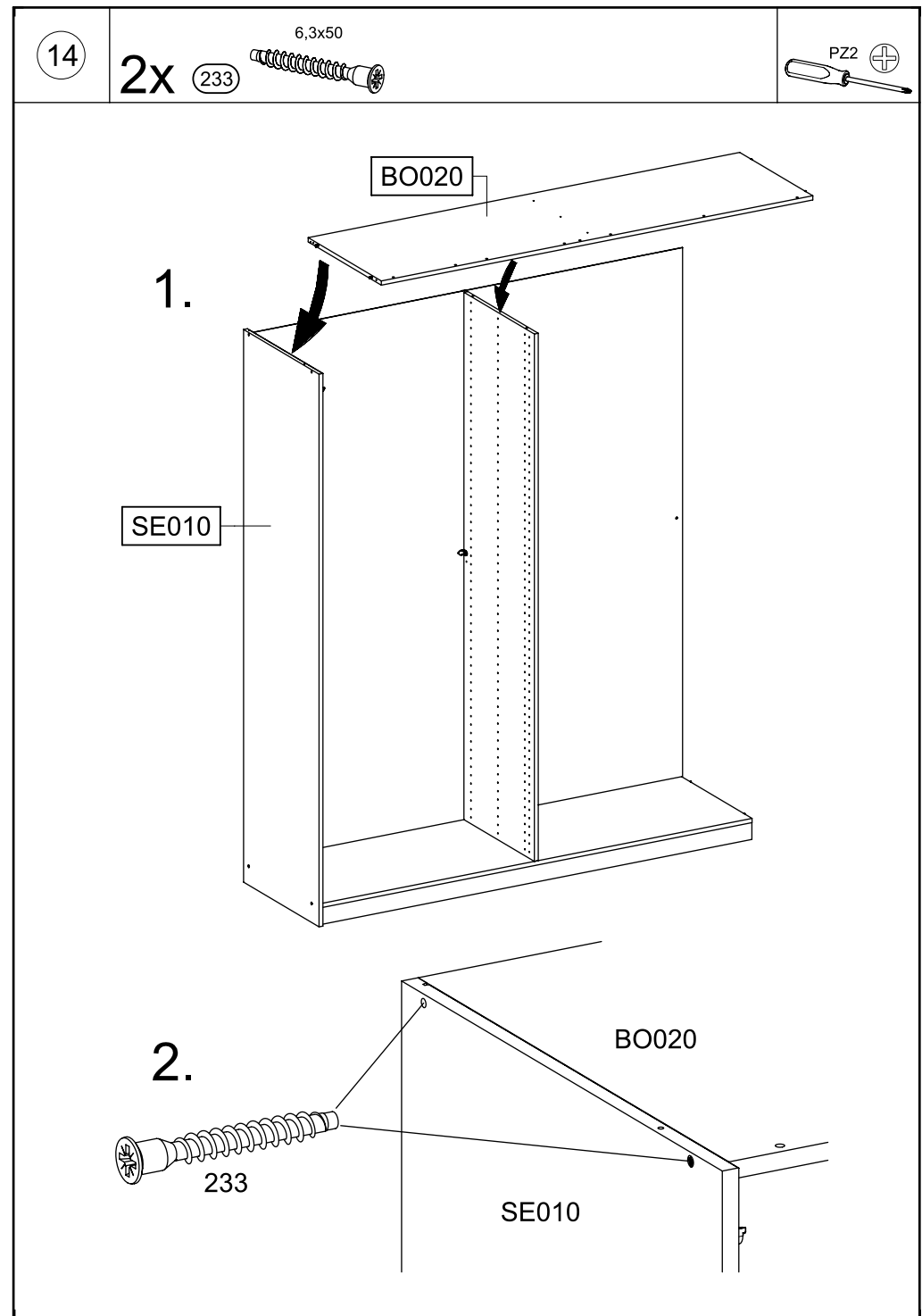
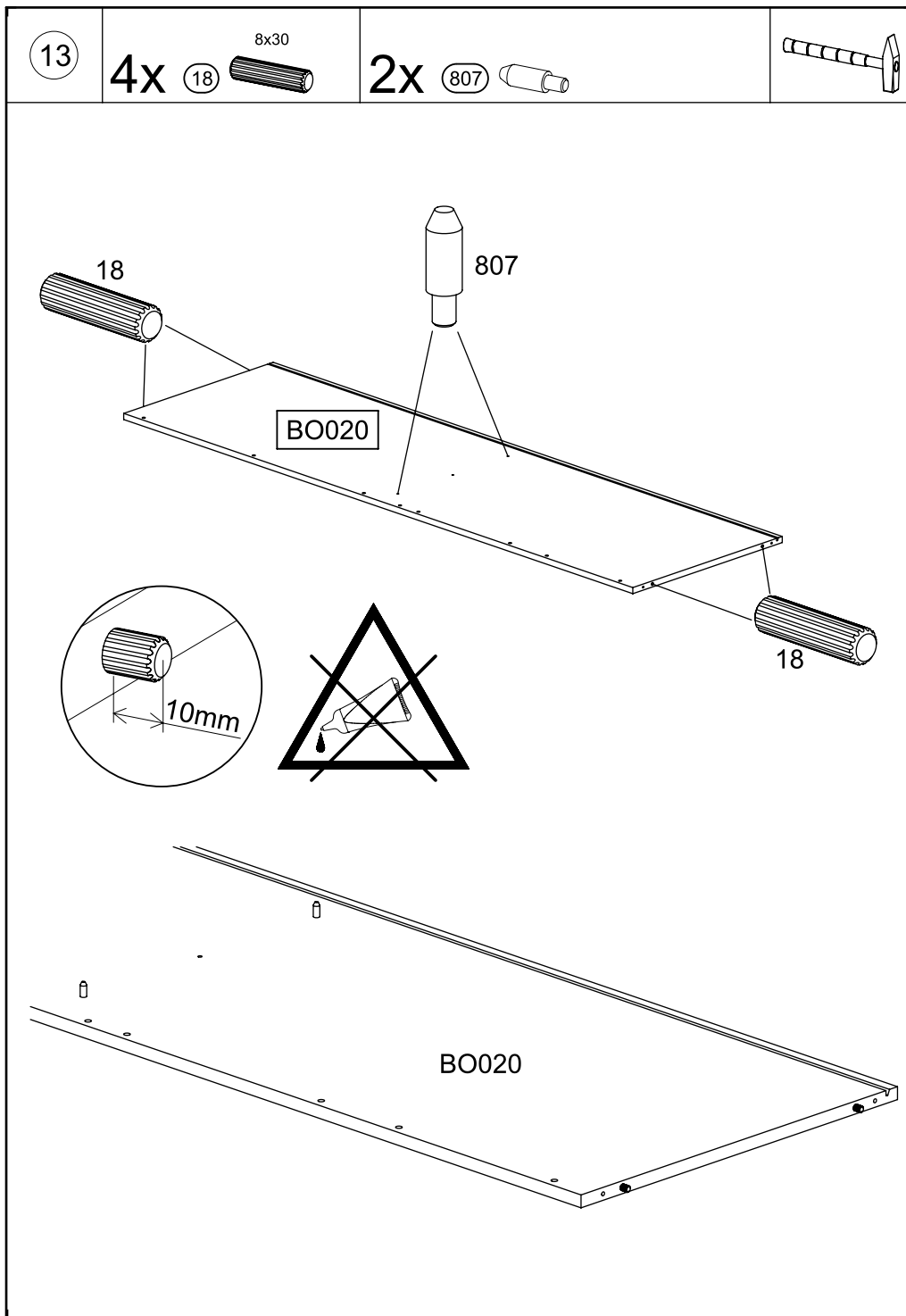
SE010

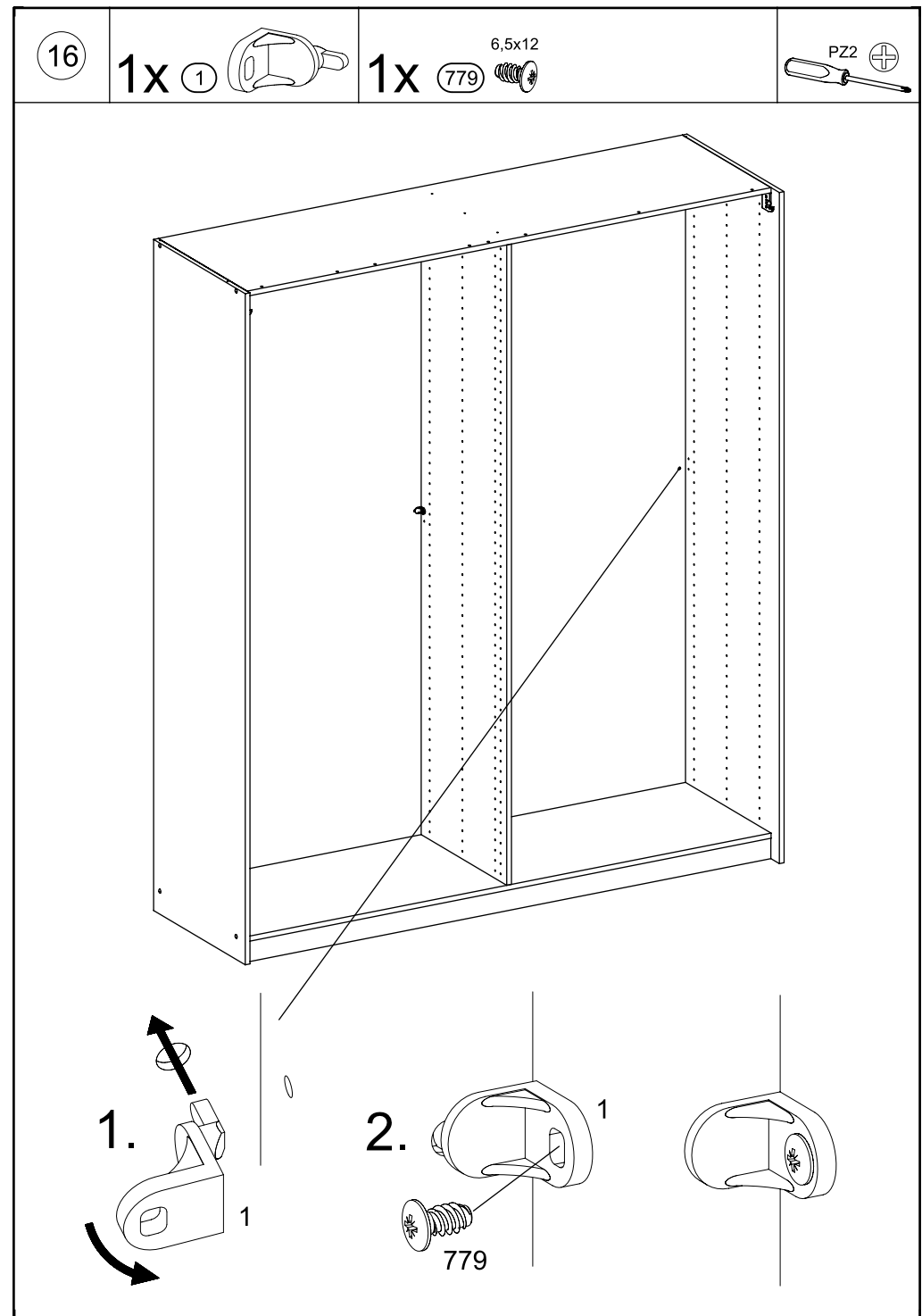
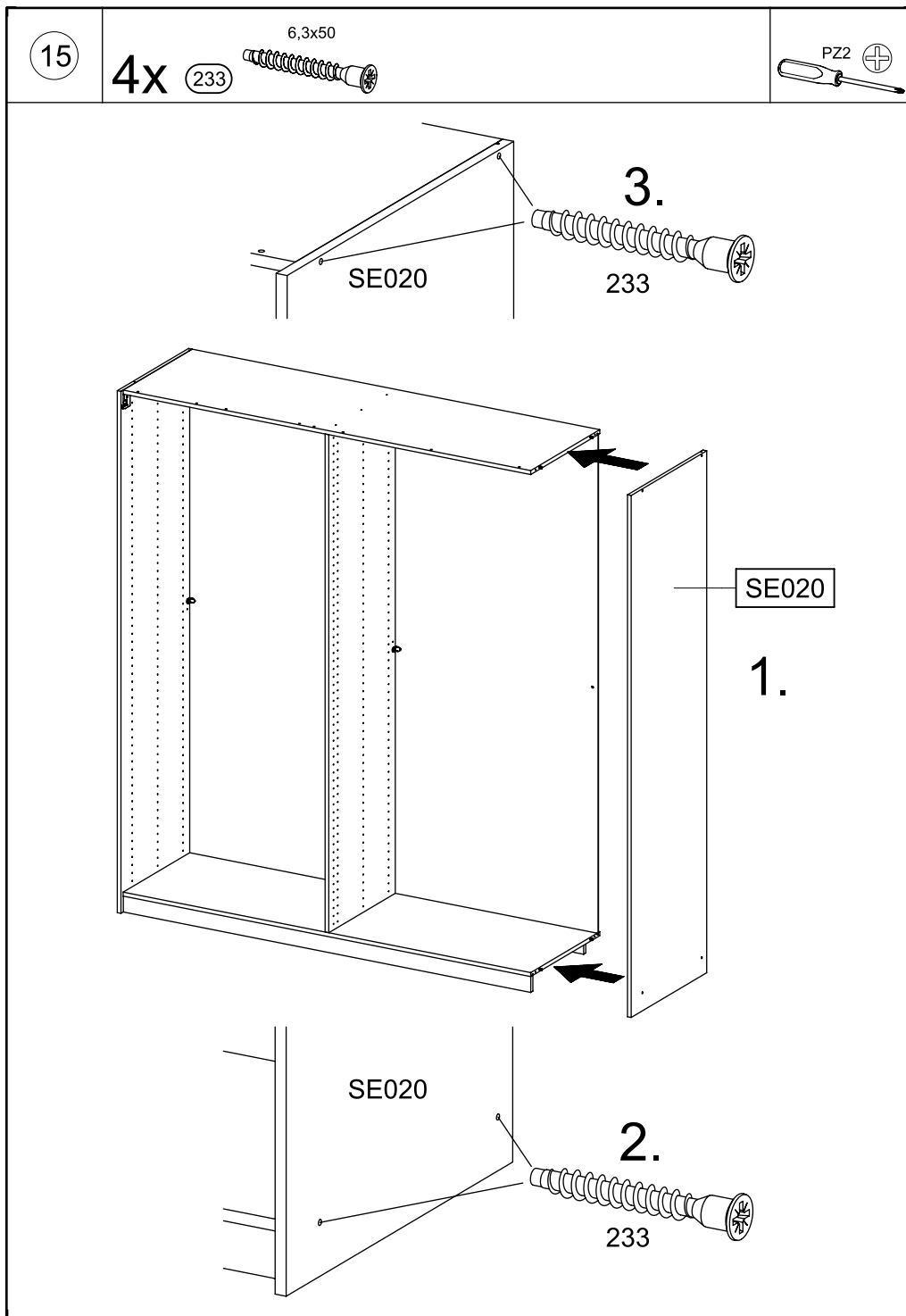
BO010

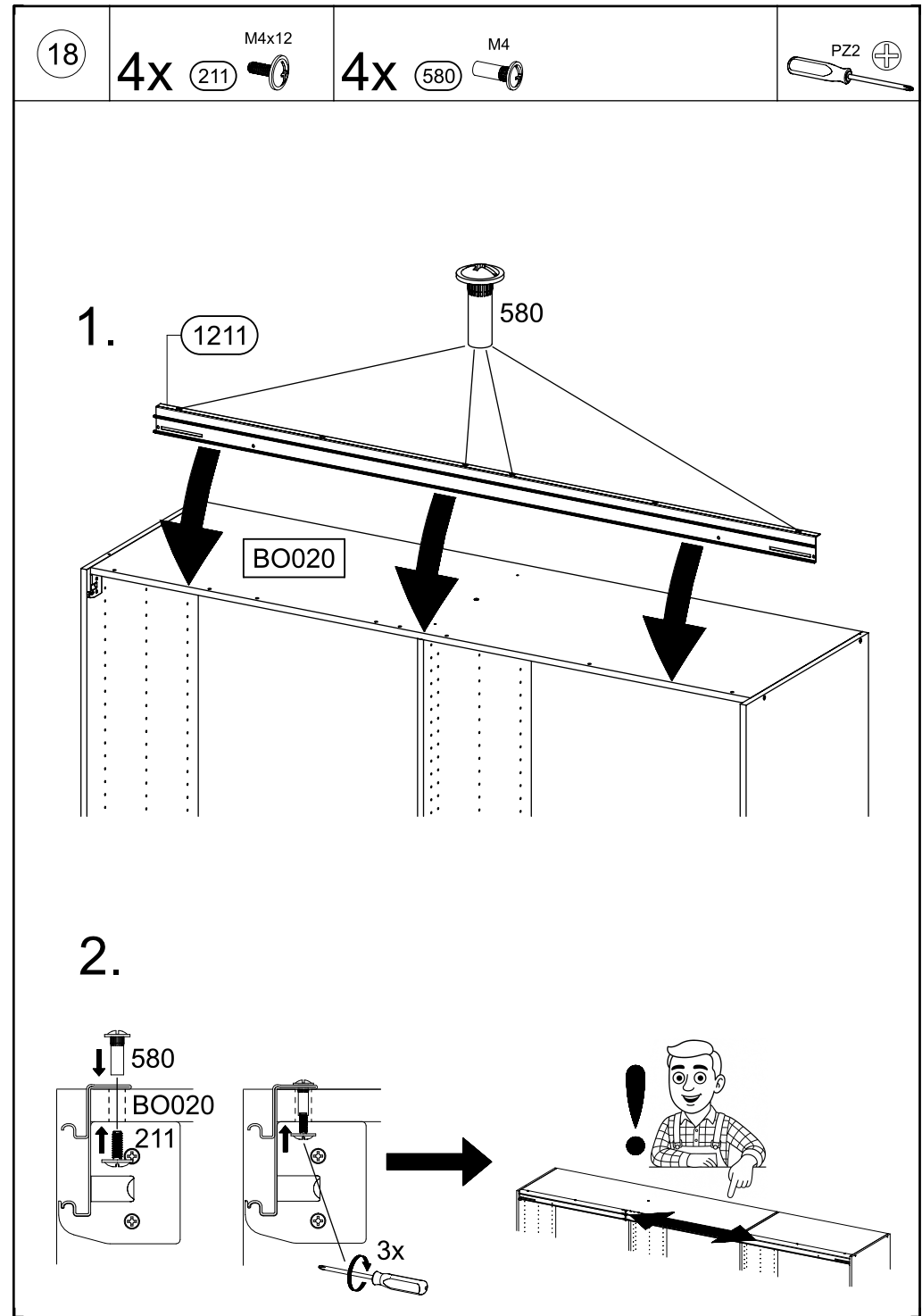
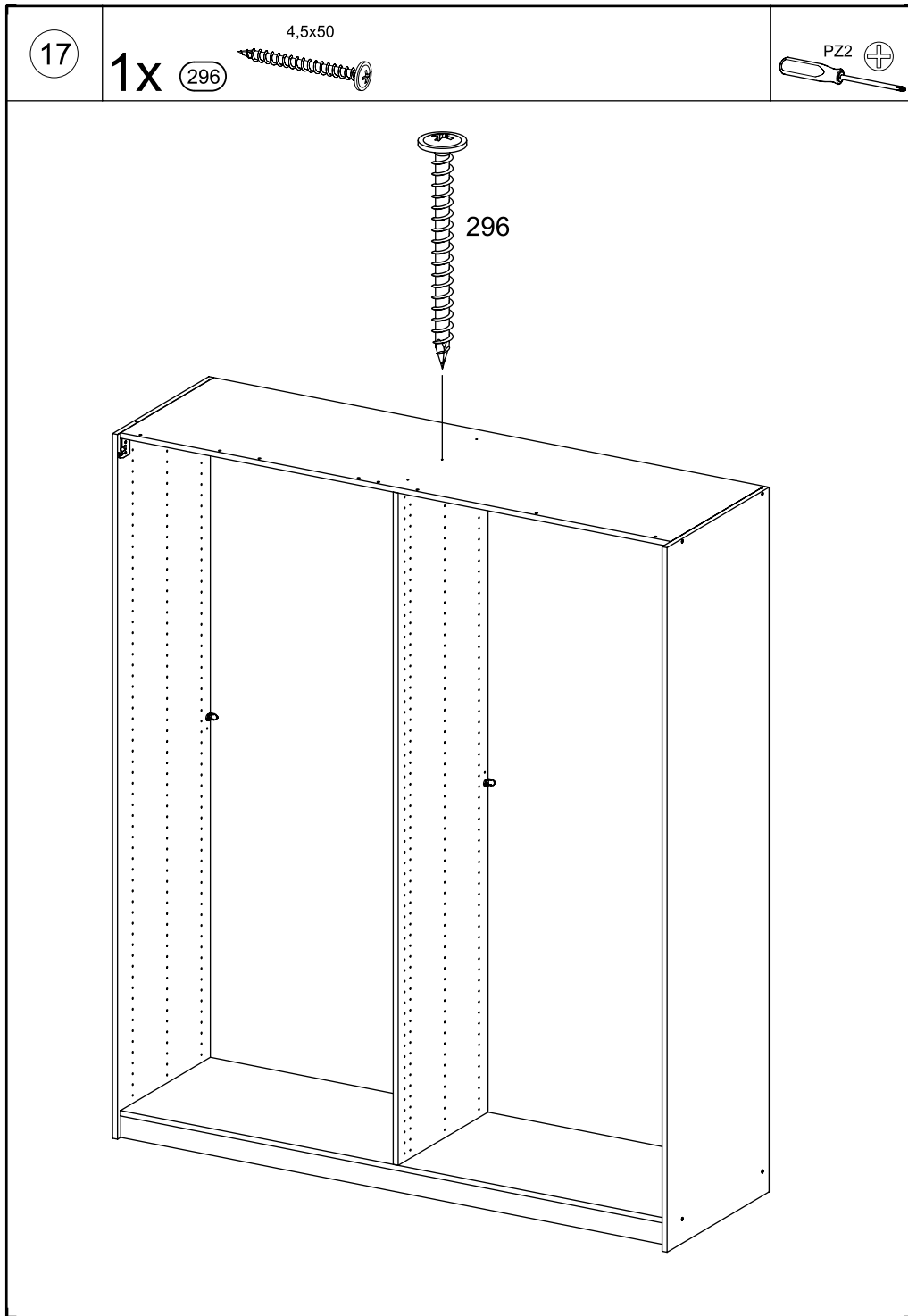
233



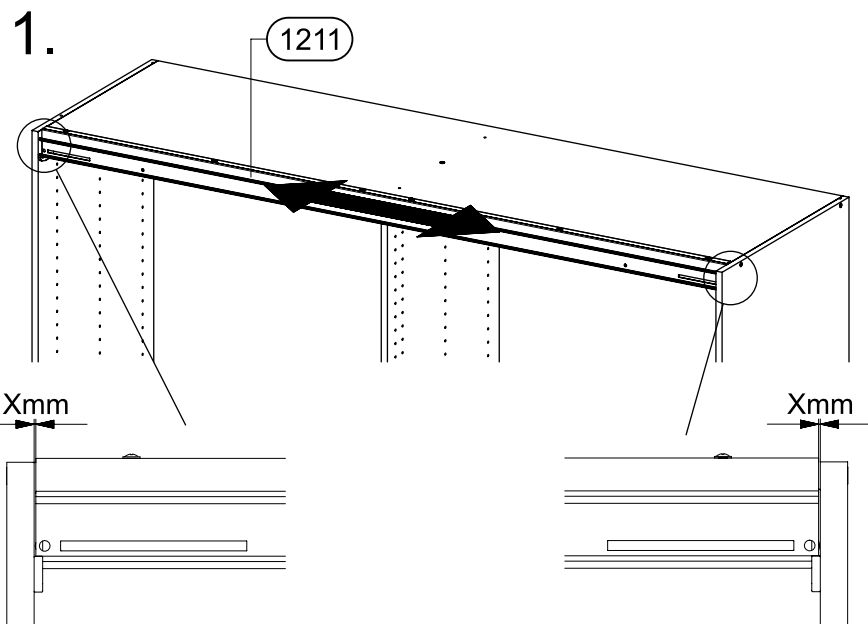
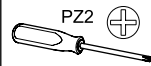




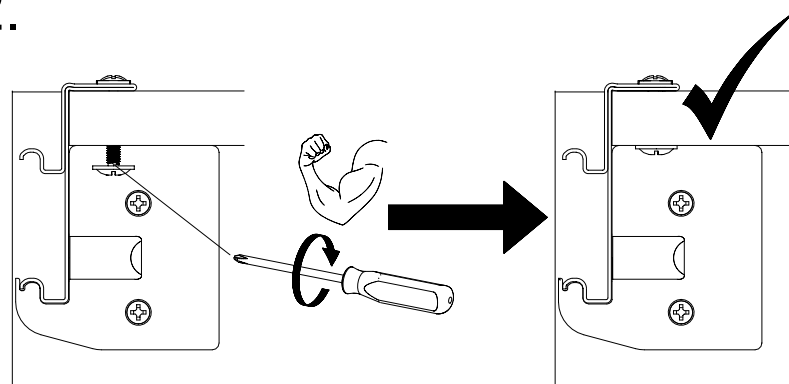




19



2.

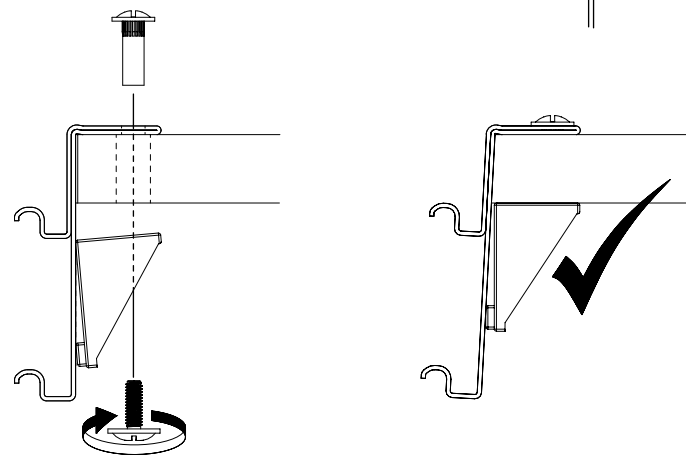
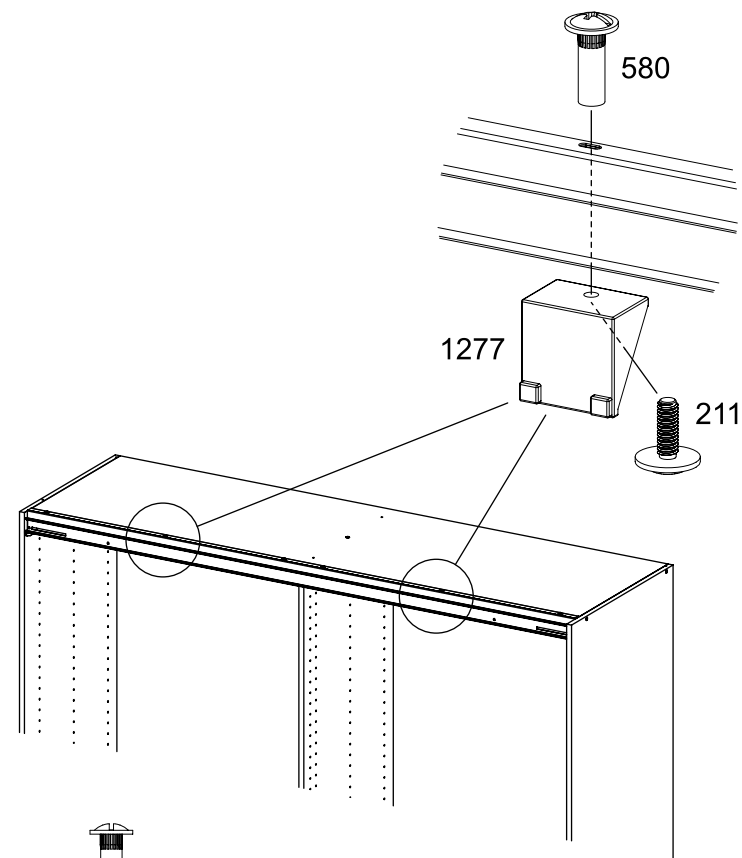
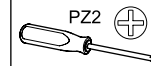
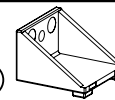


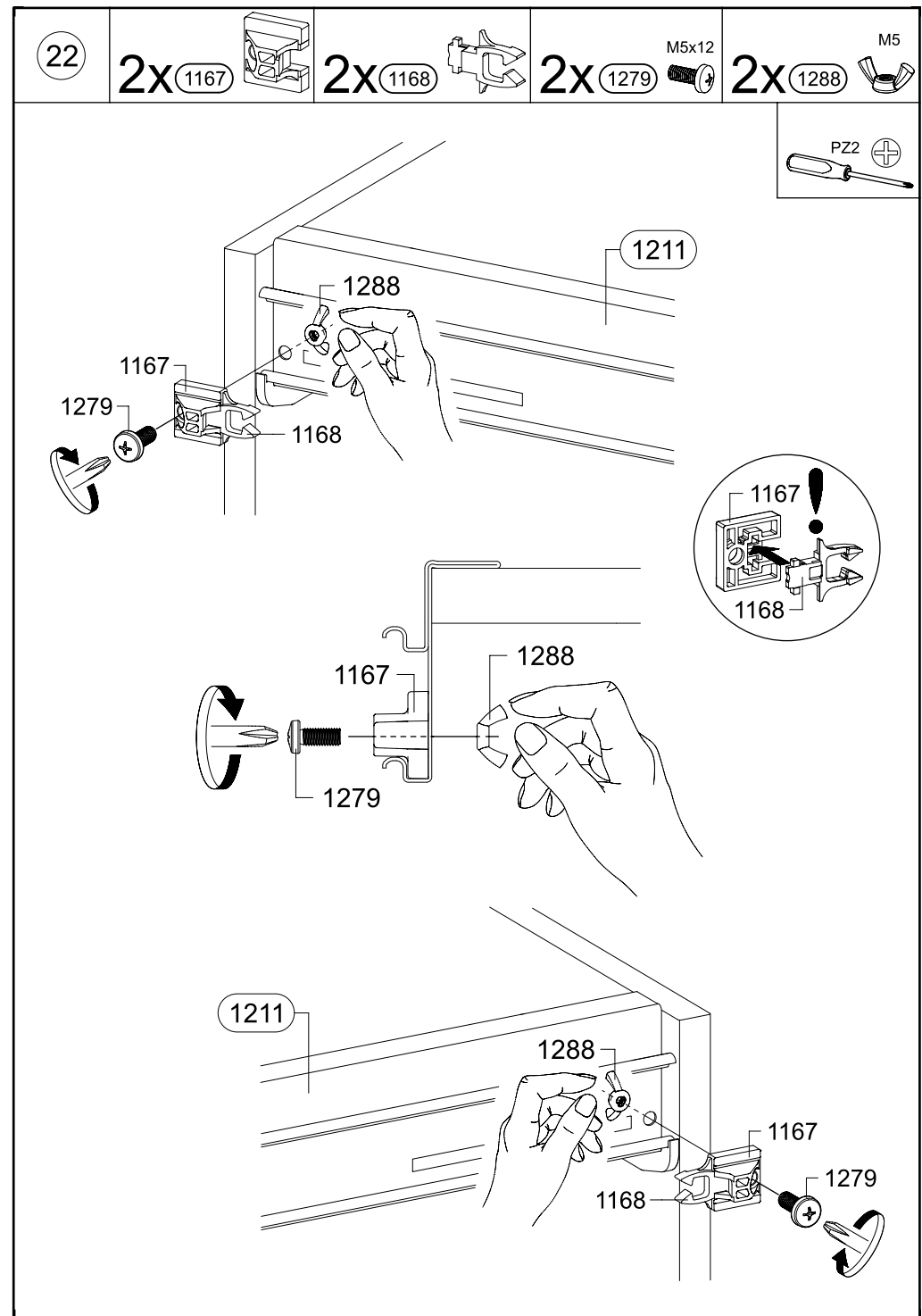
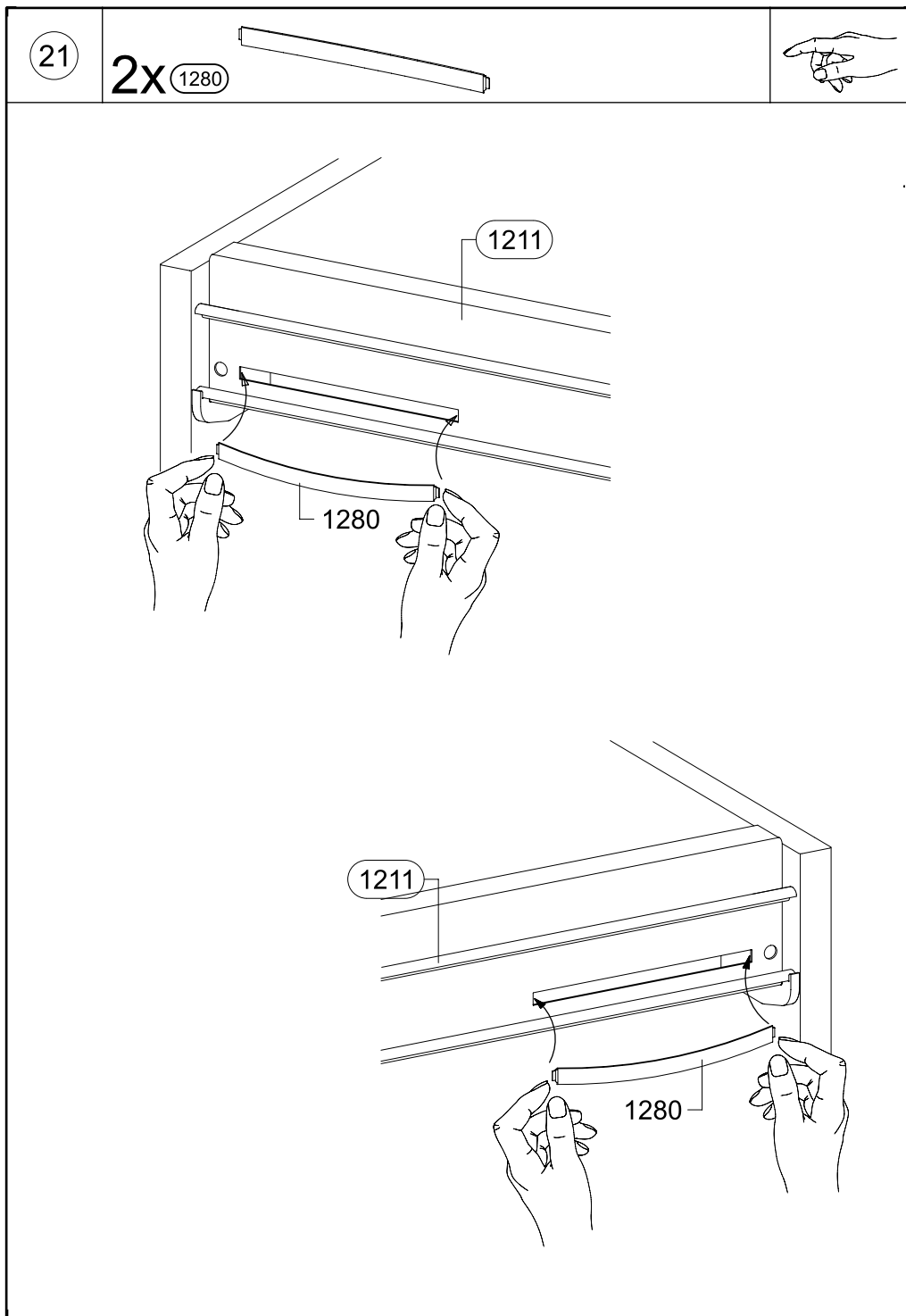
20

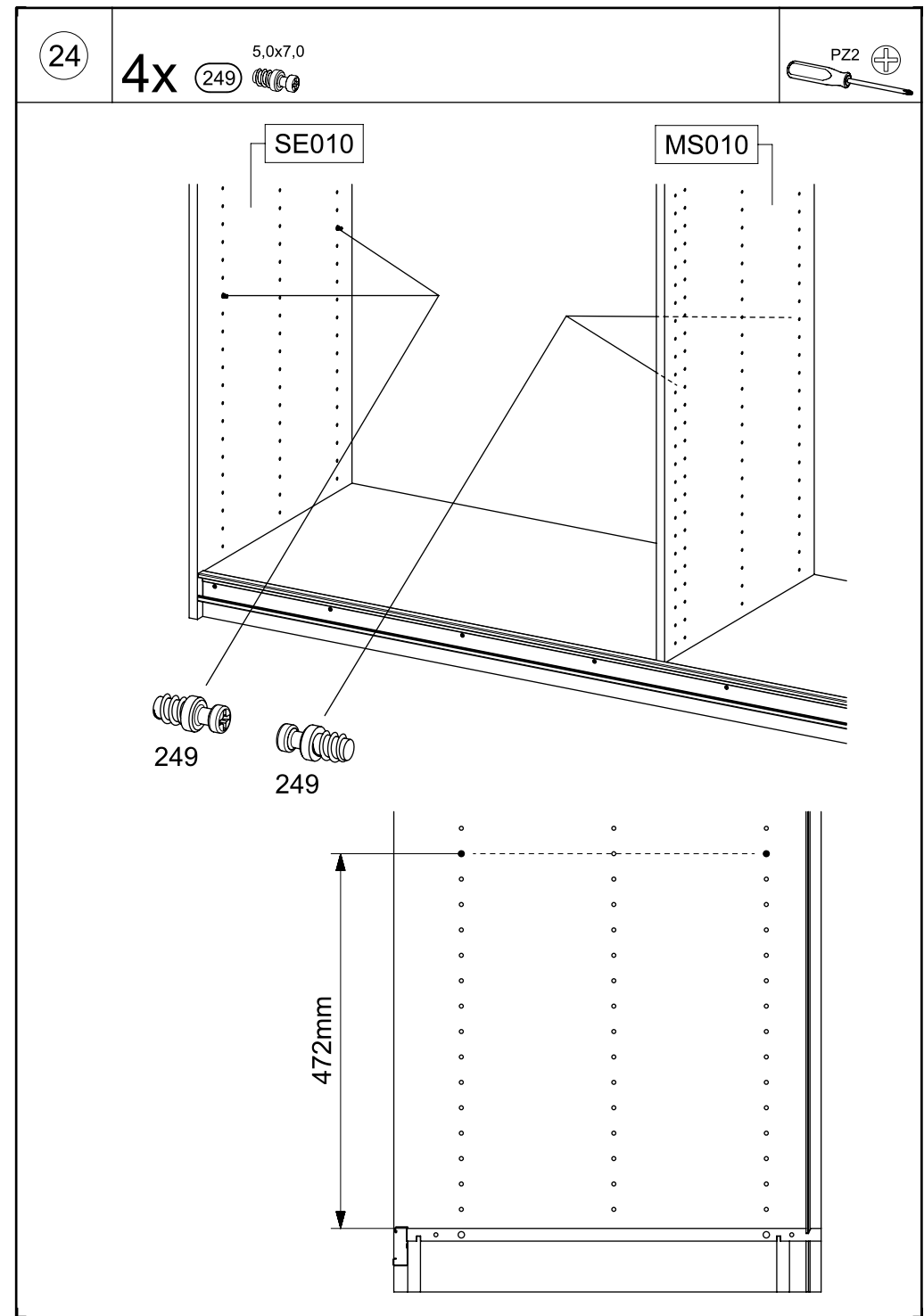
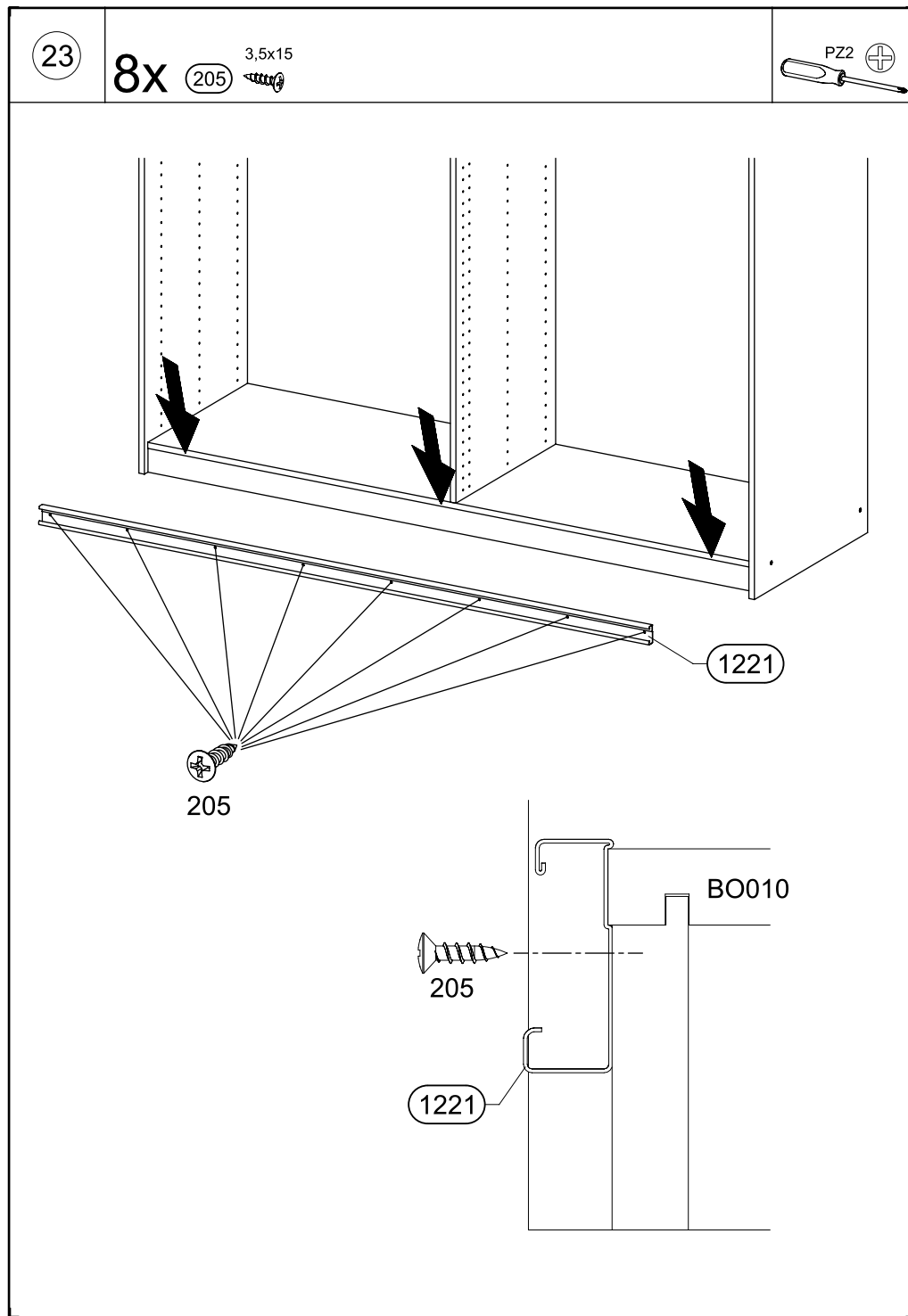
2x (211) M4x12

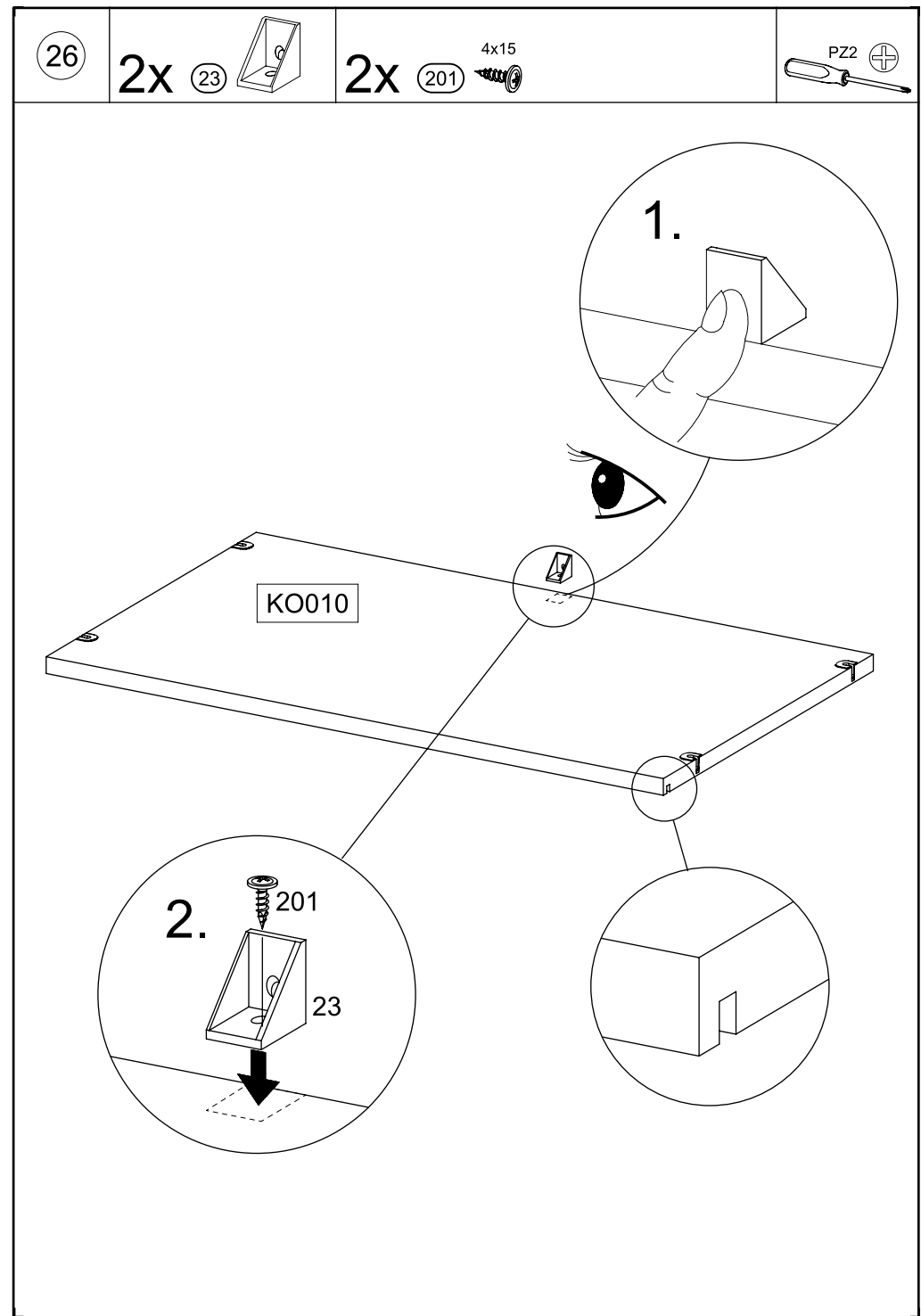
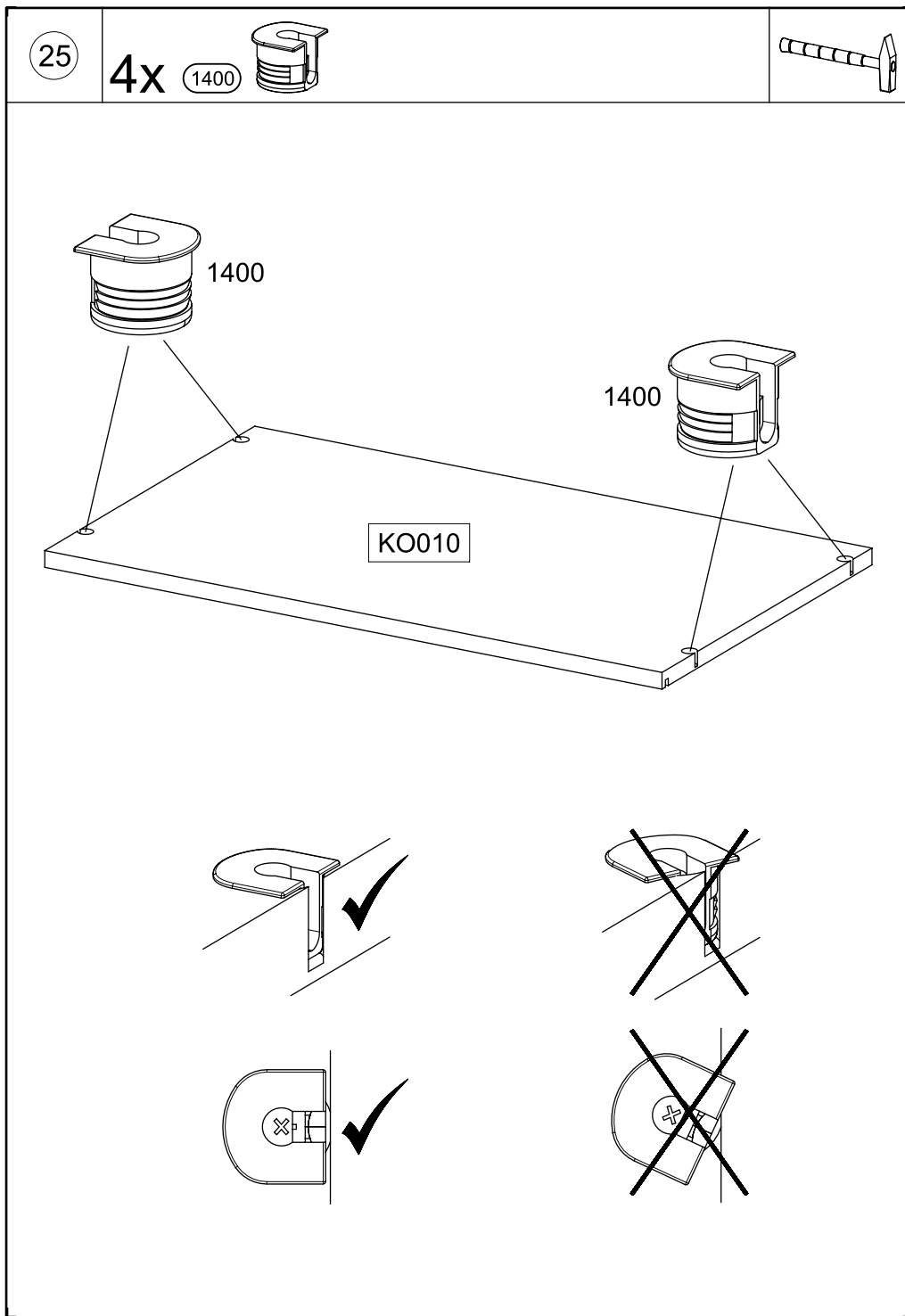
2x (580) M4

2x (1277)

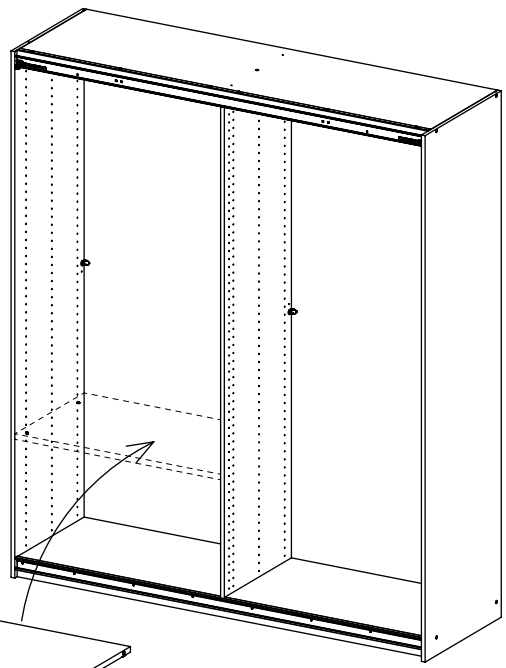
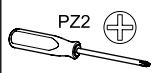






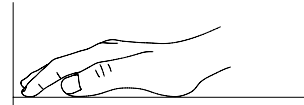


27



1.

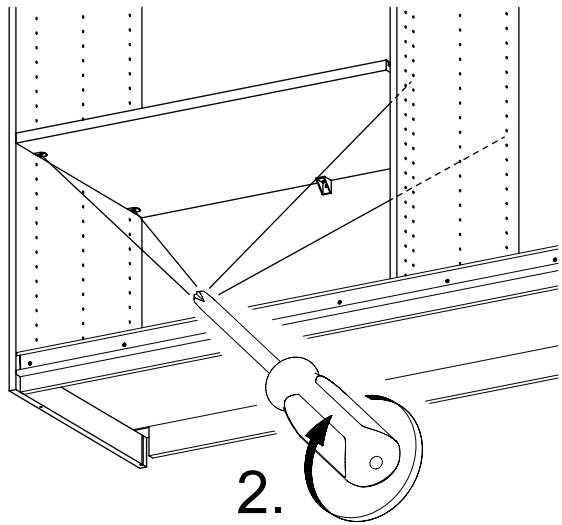
KO010



KO010



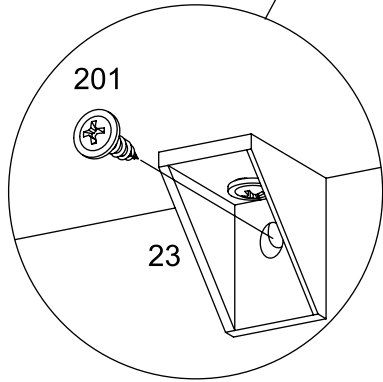
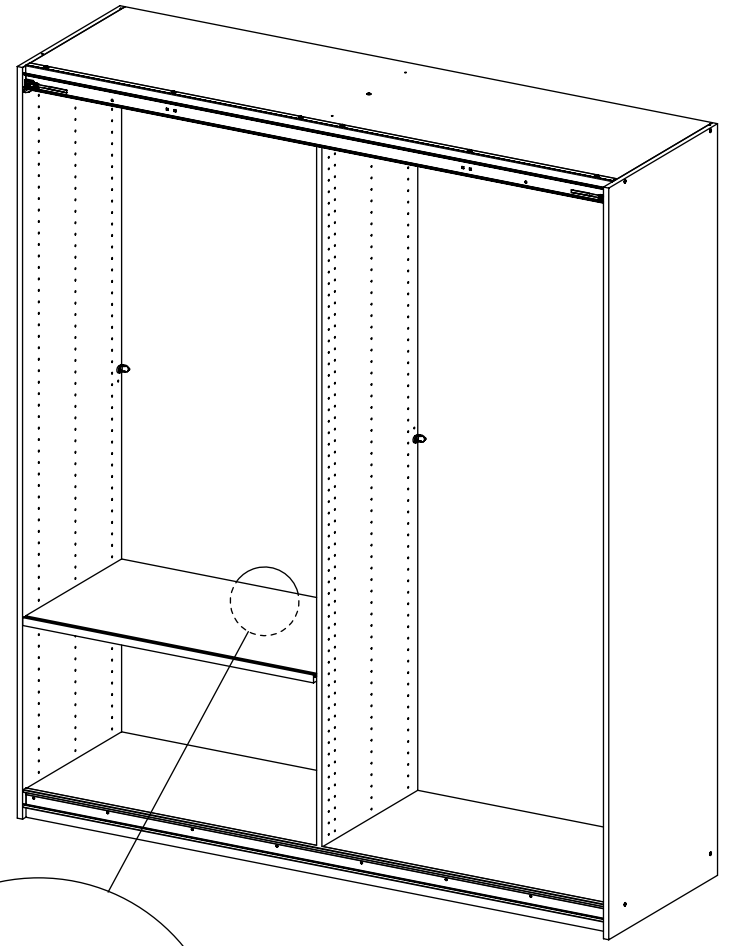
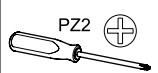
KO010



2.

28

1x 201 4x15



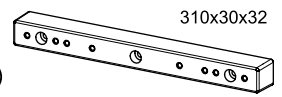
201

23

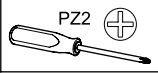
29

4x 14

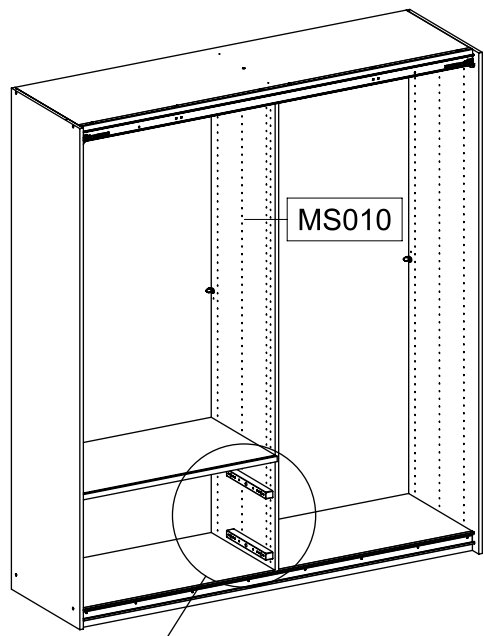
2x 1399



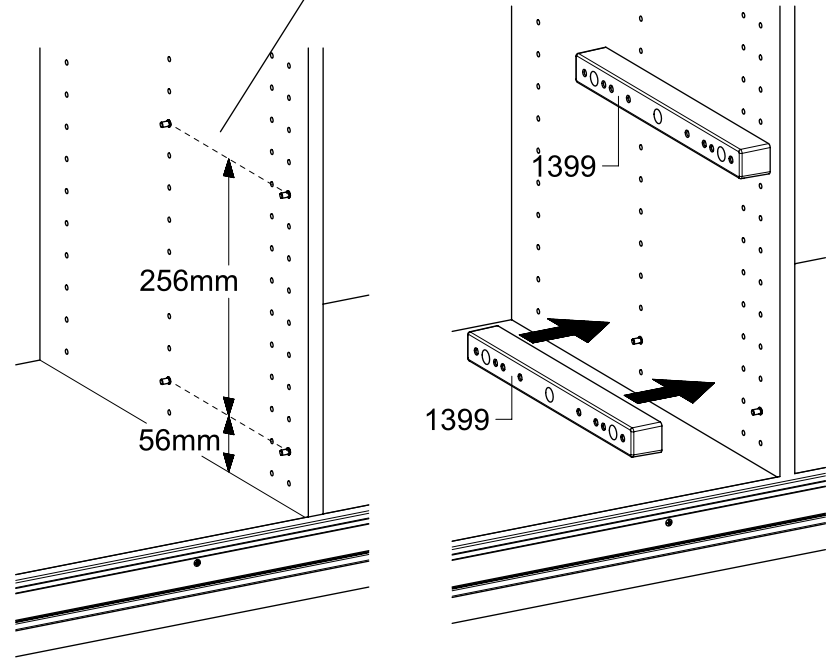
310x30x32



PZ2



MS010



256mm

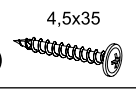
56mm

1399

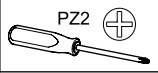
1399

30

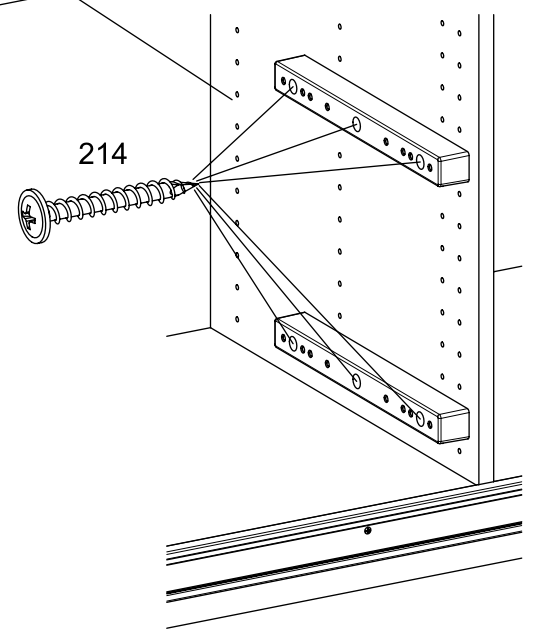
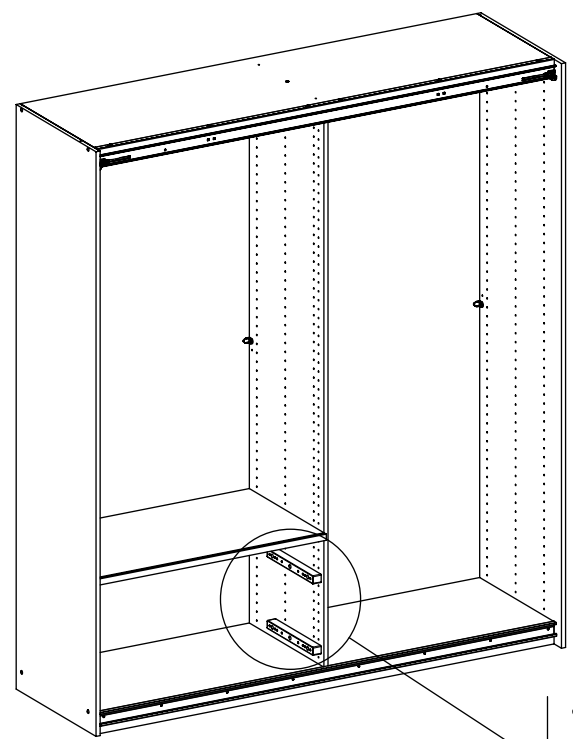
6x 214



4,5x35



PZ2



214

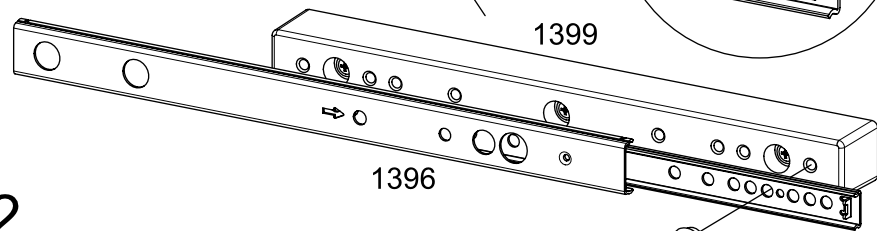
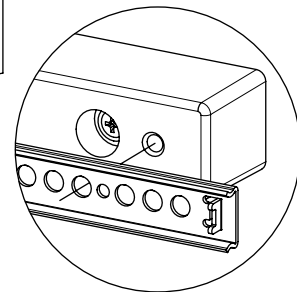
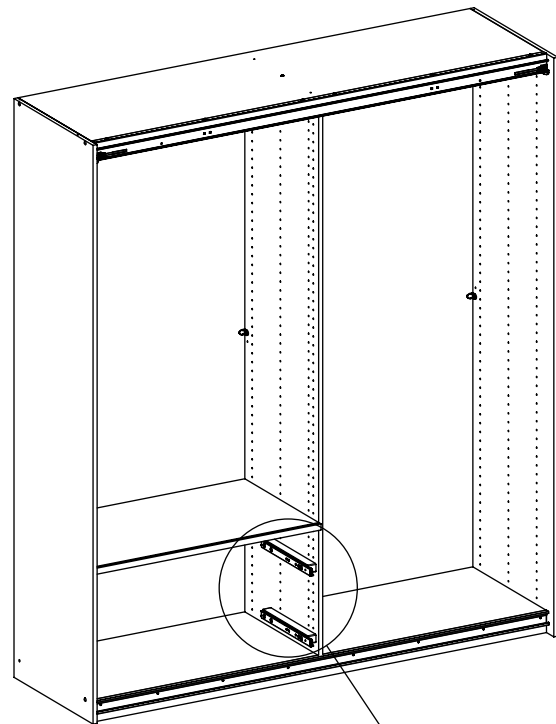
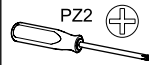
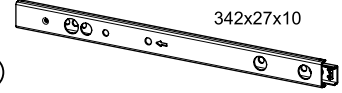
31

6x

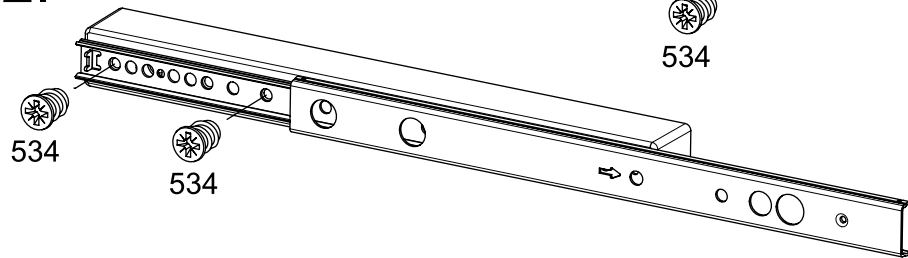
534 6x8

2x

1396



2.



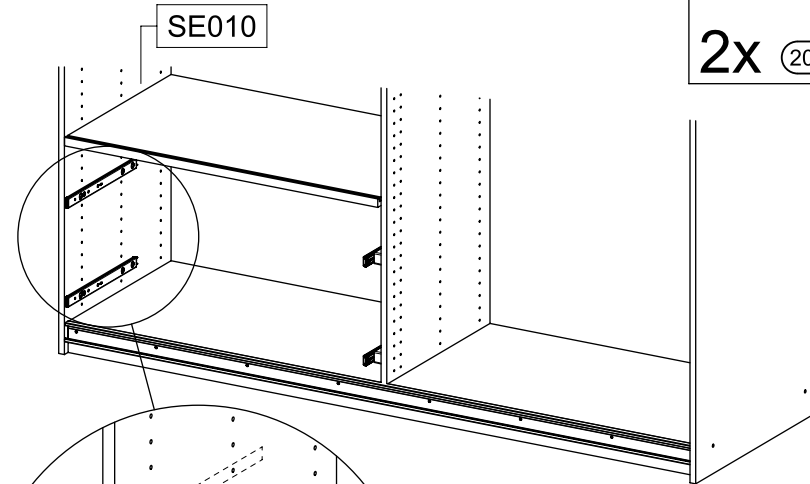
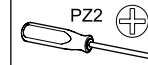
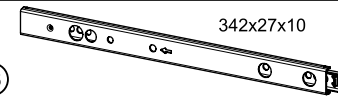
32

4x

534 6x8

2x

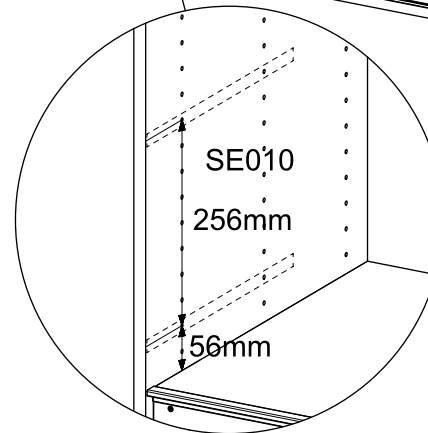
1396



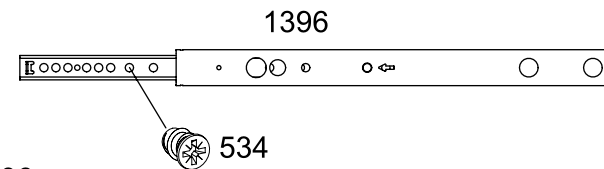
2x

205

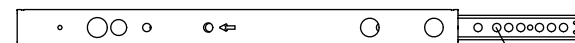
3,5x15



1.

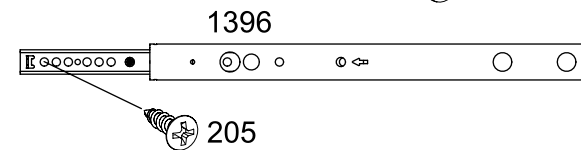


1396



2.

3.

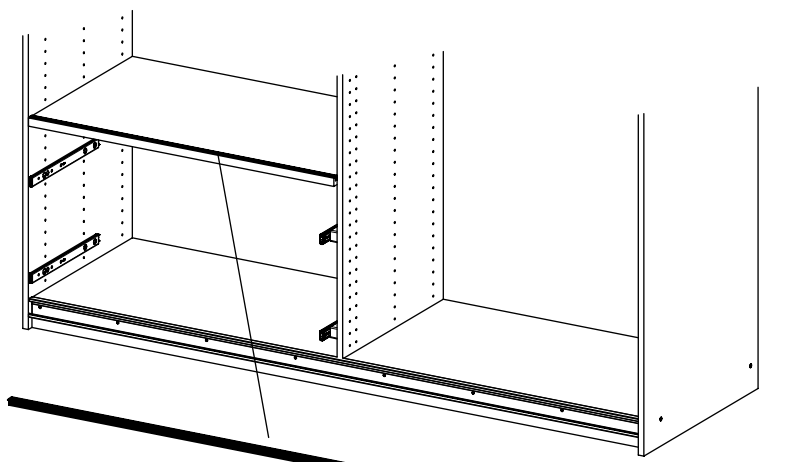
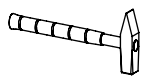


1396

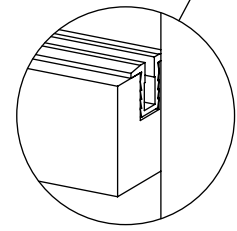
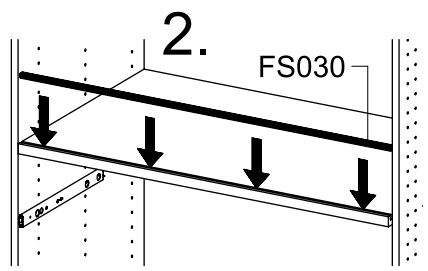
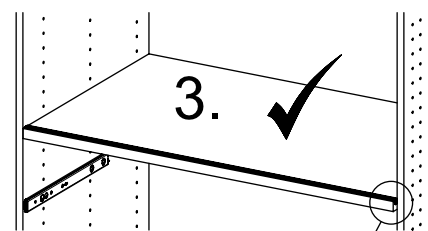
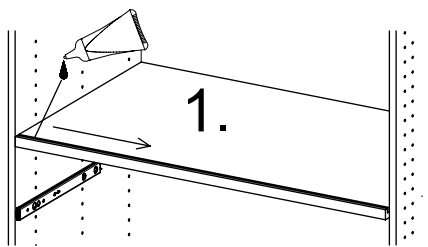
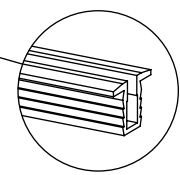
205

33

11



FS030

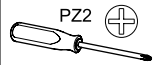


34

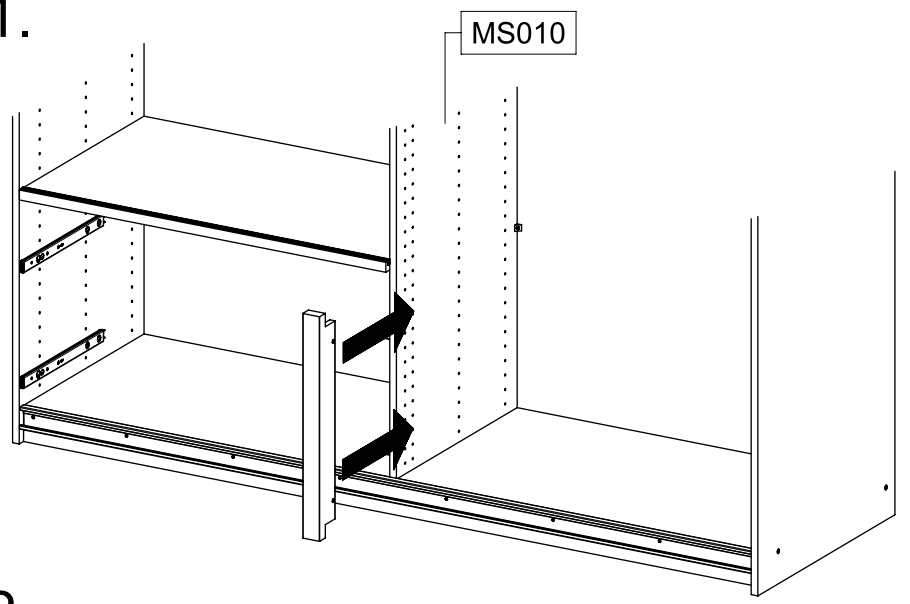
2x

350

4x25

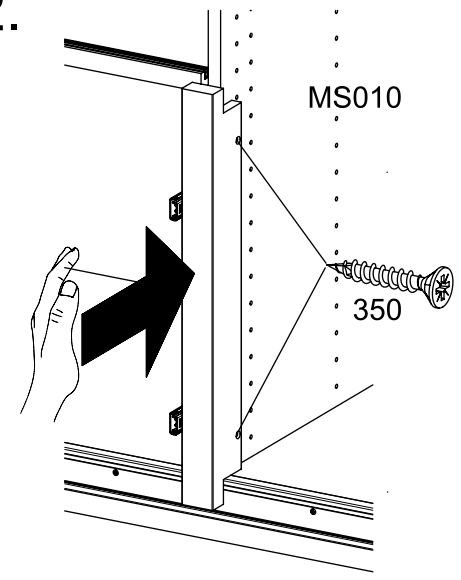


1.



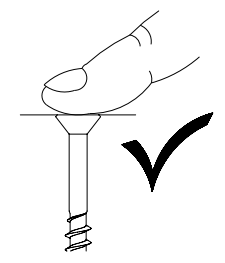
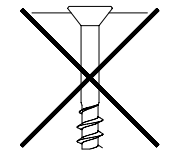
MS010

2.



MS010

350

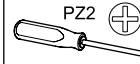
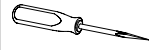


35

2x

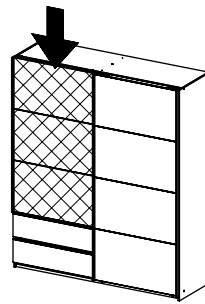
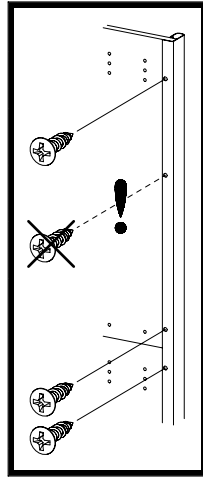
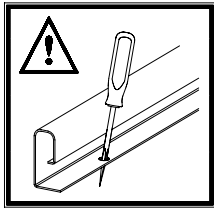
205

3,5x15



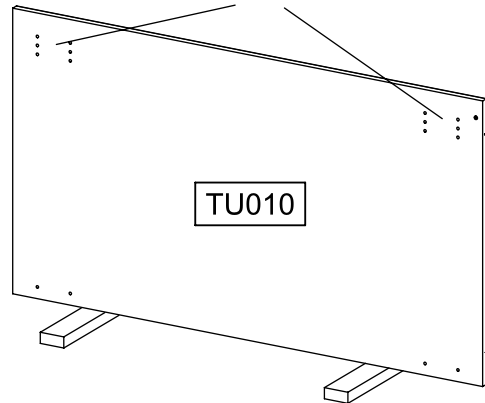
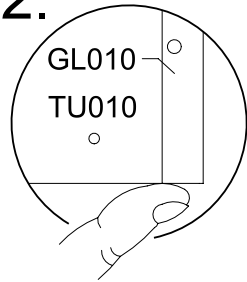
SCAN ME

1.



GL010

2.



3.

205



36

1x

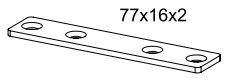
205

3,5x15

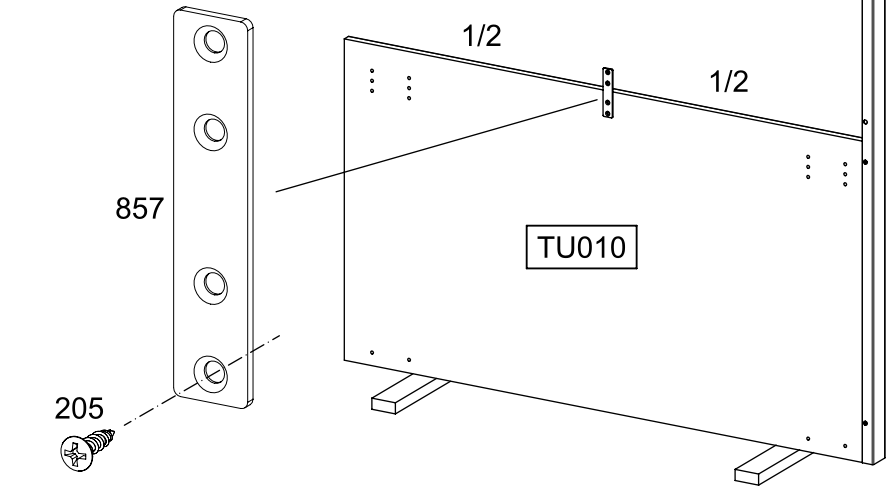
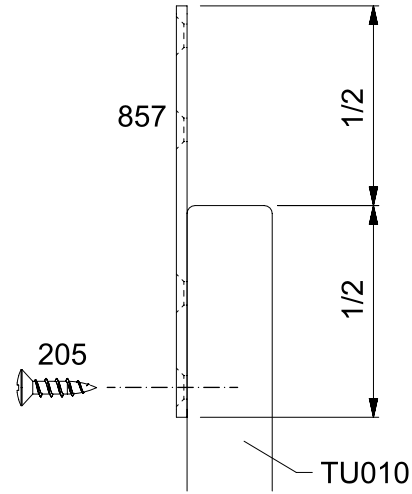
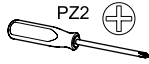
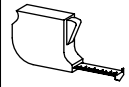


1x

857



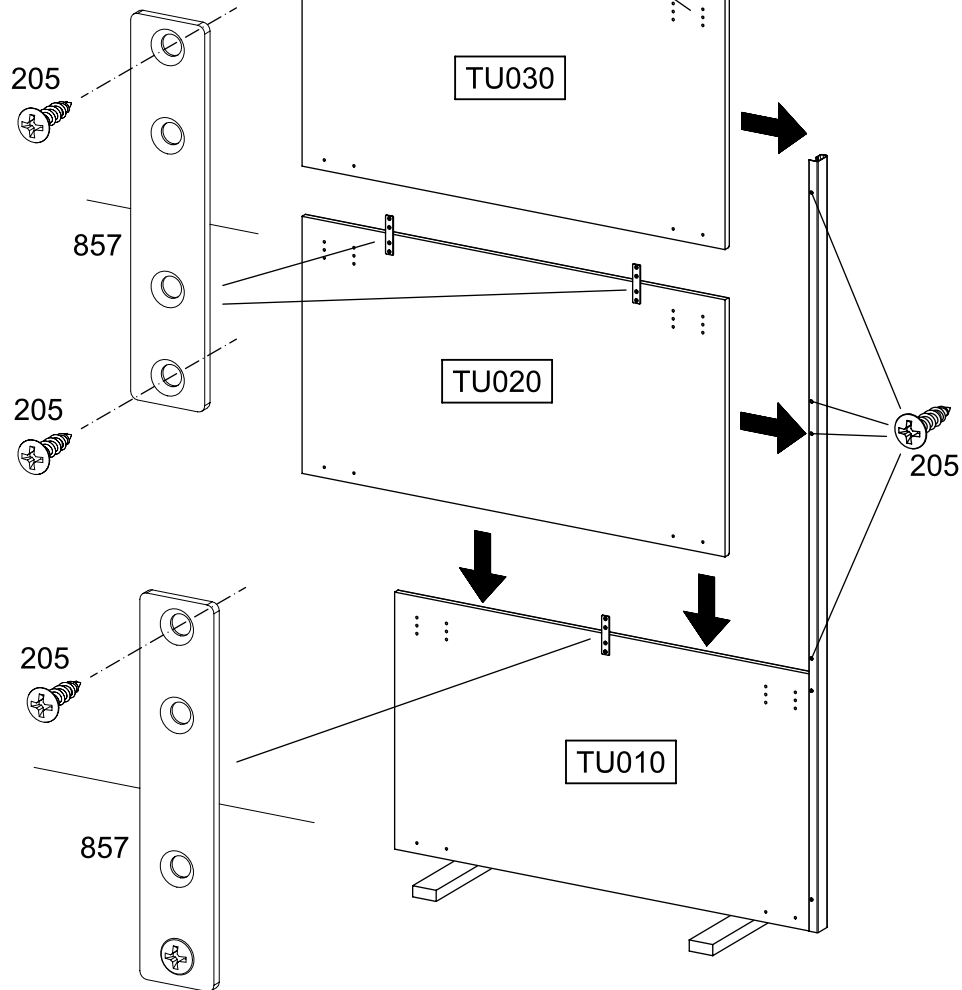
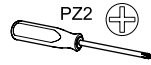
77x16x2



37

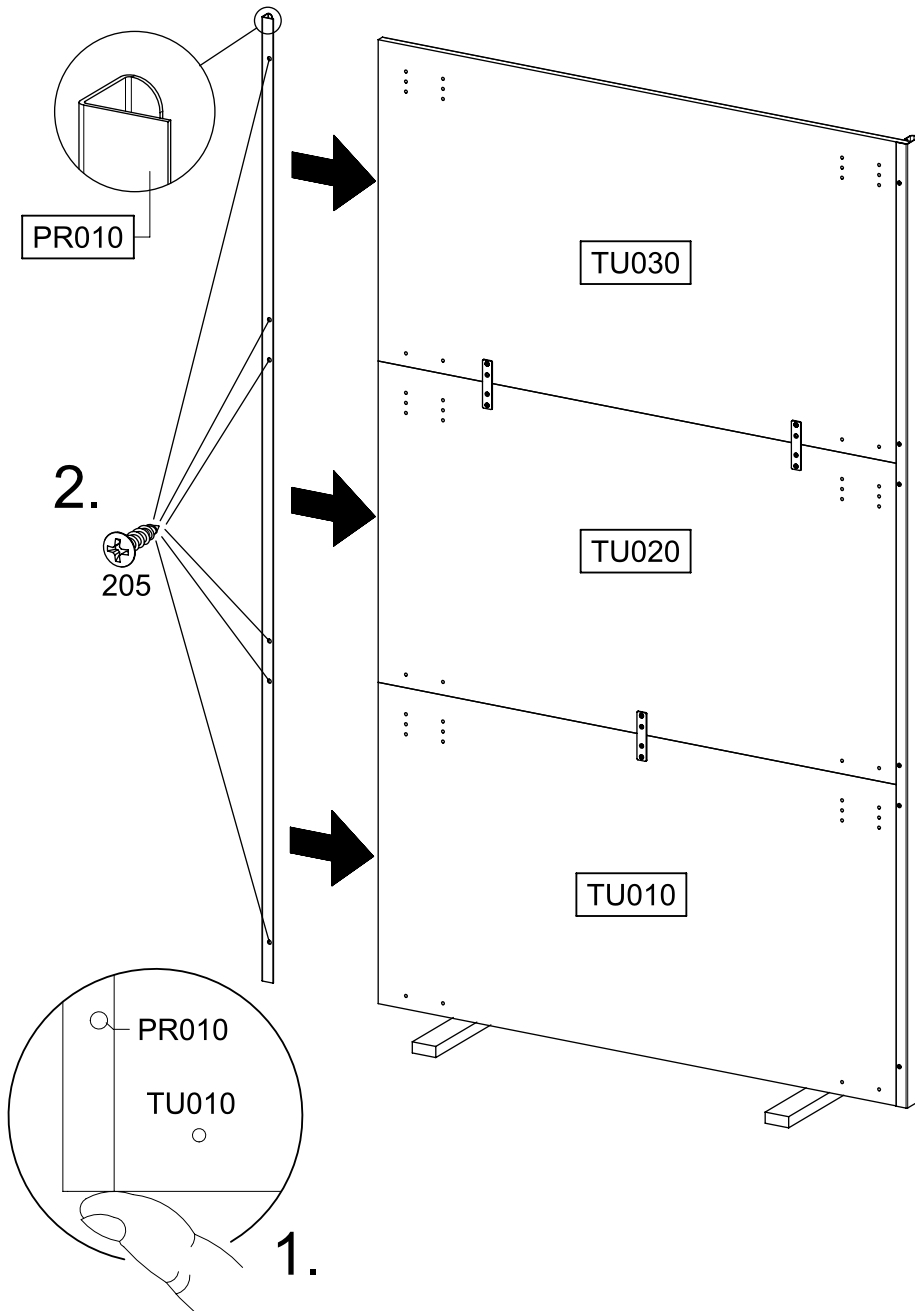
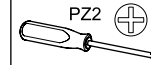
9x 205 3,5x15

2x 857 77x16x2



38

6x 205 3,5x15



39

1x

1155



1x

1156



8x

1173

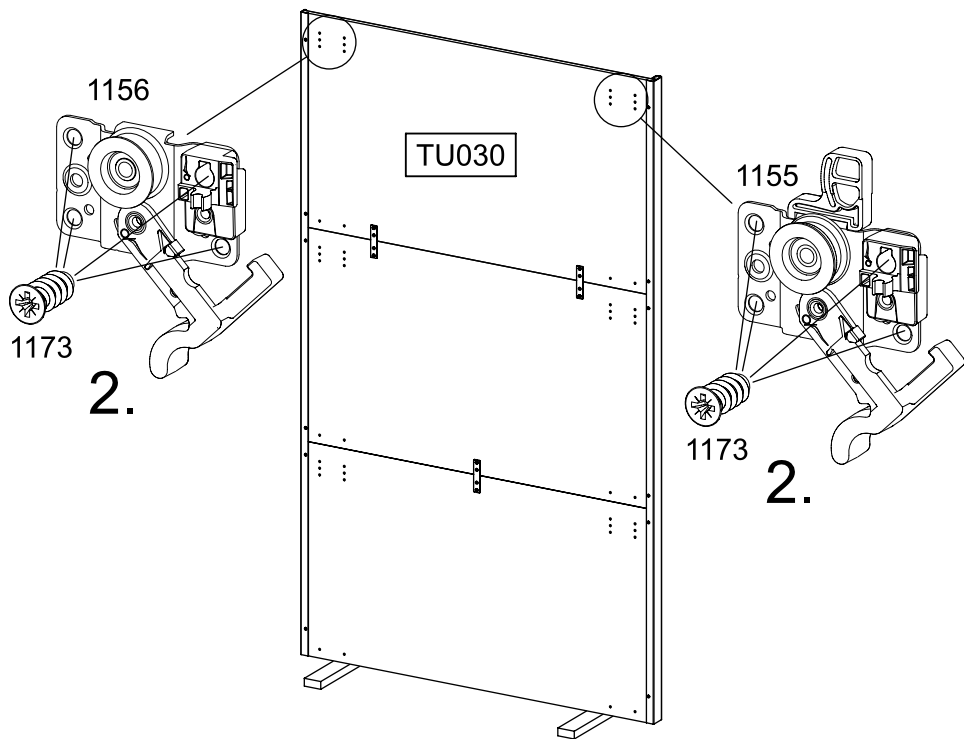
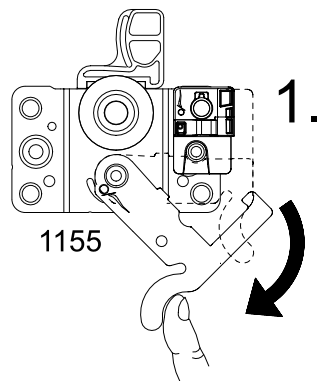
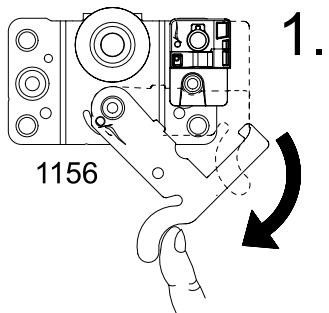
6,3x14



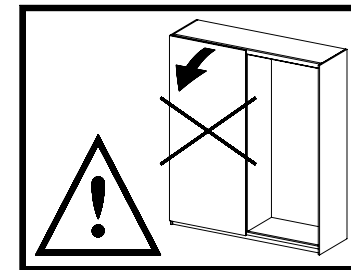
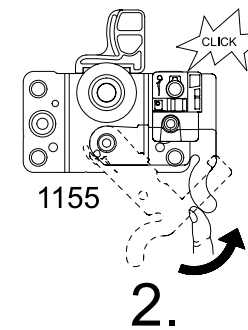
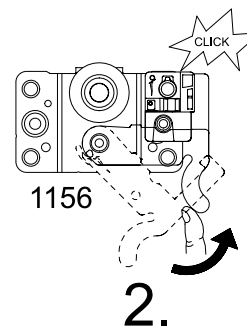
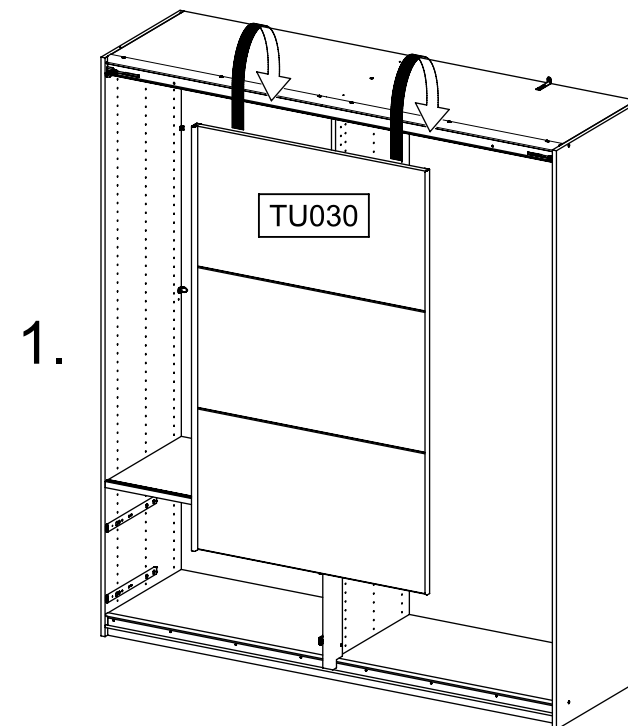
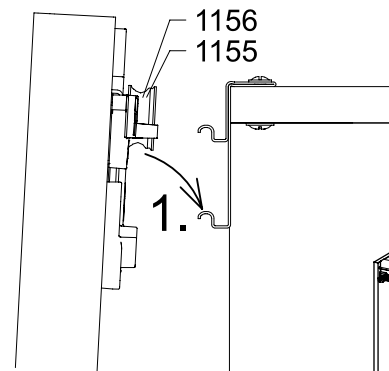
PZ2



SCAN ME



40

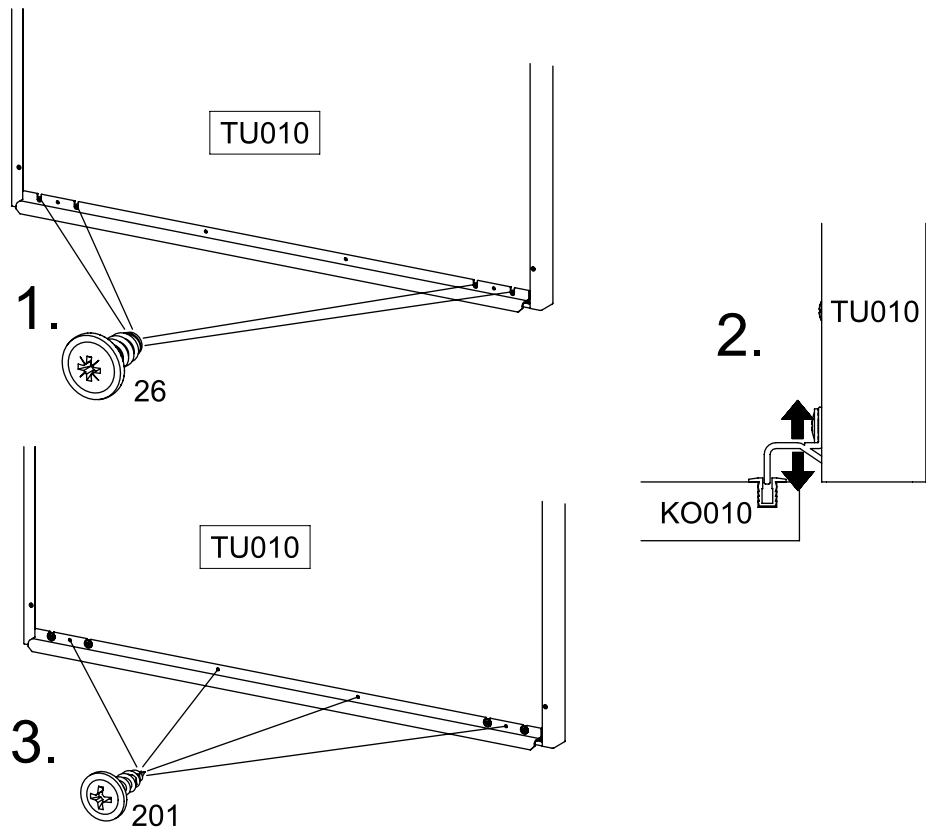
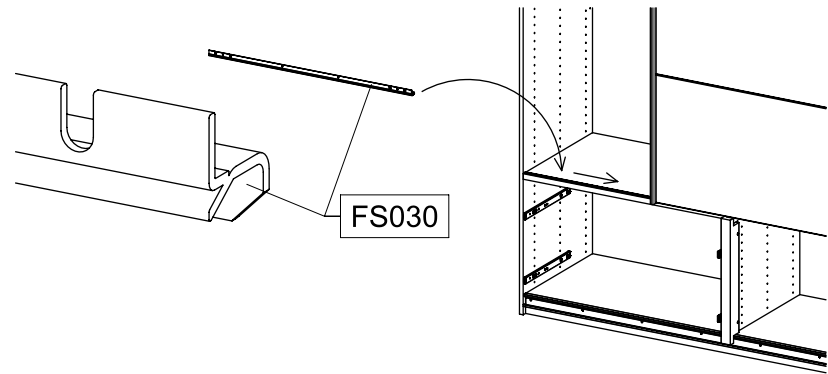


41

4x 26 6,3x14

4x 201 4x15

PZ2



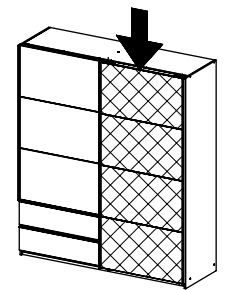
42

2x 205 3,5x15

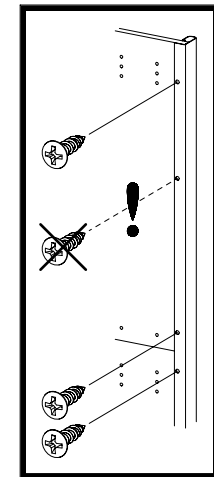
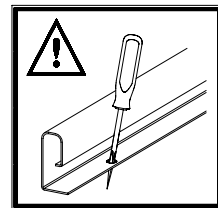
PZ2



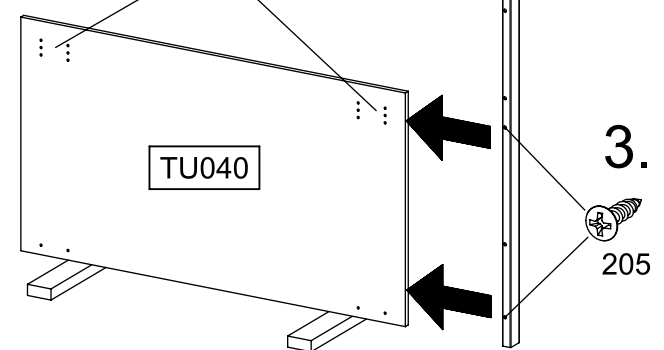
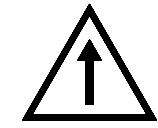
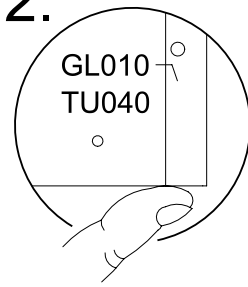
SCAN ME



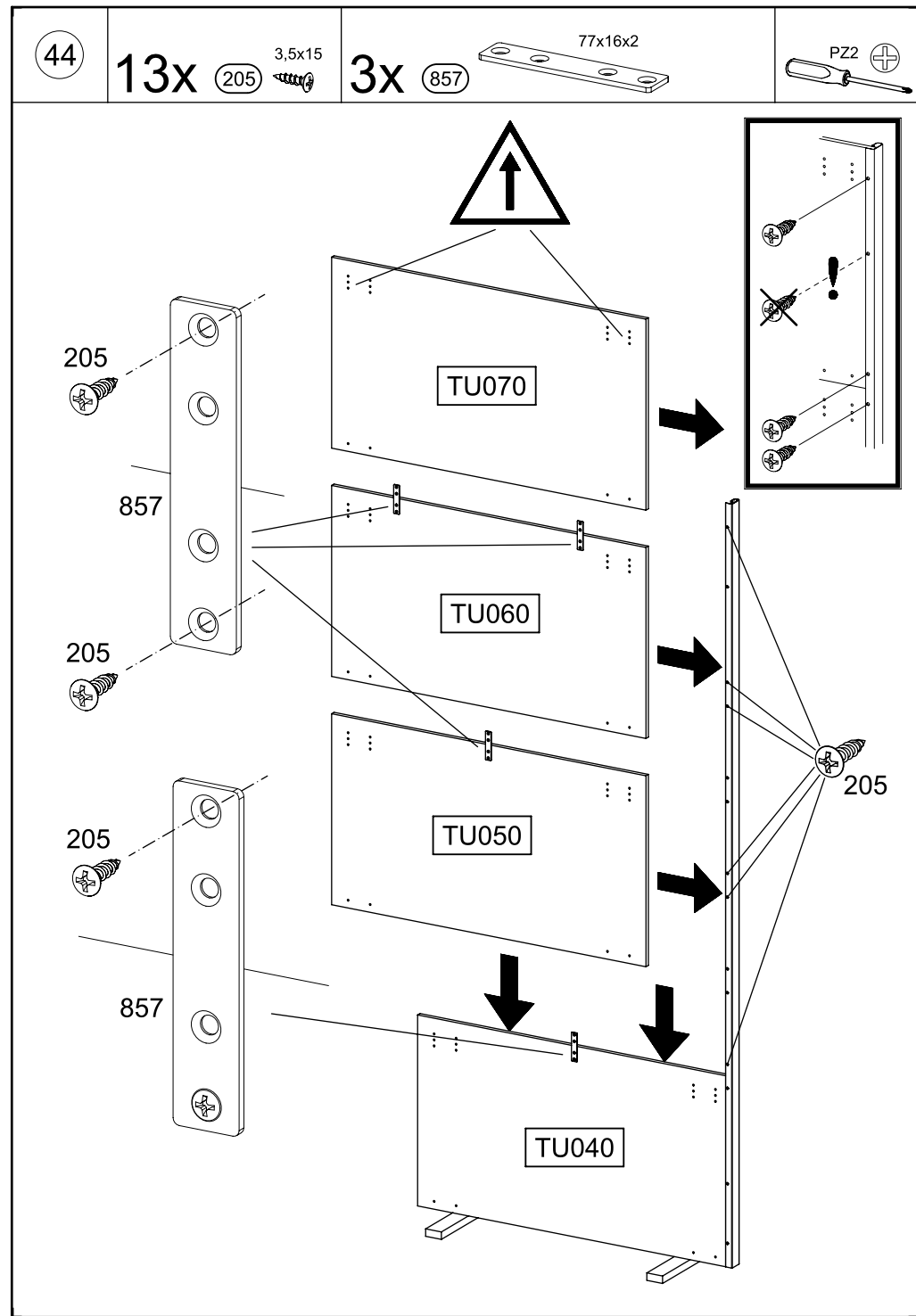
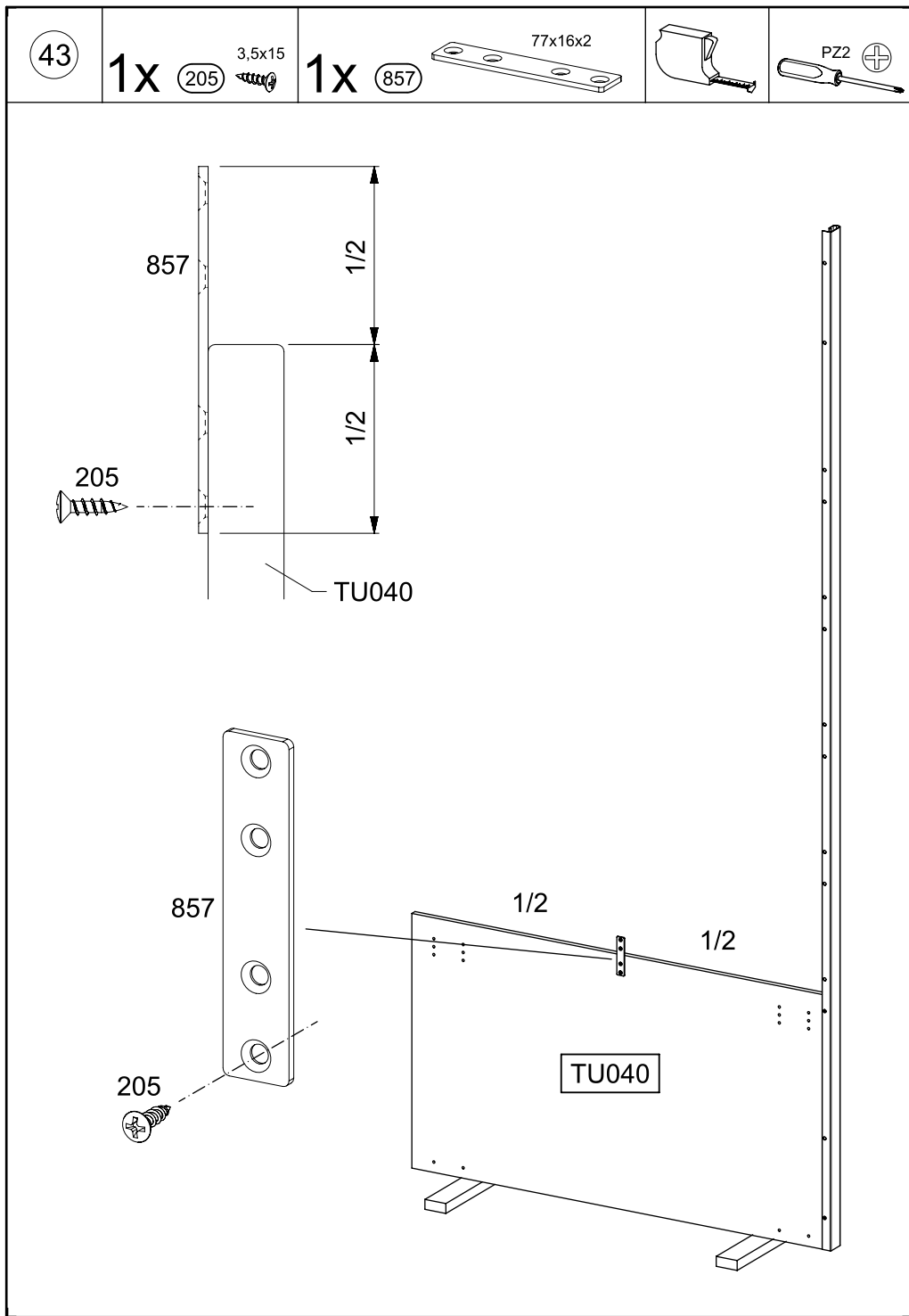
1.



2.



3.

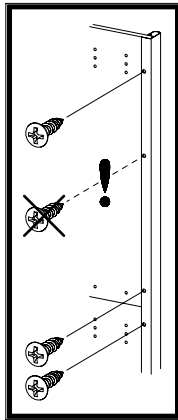
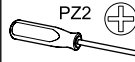
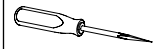


45

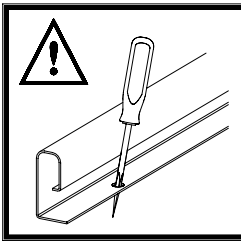
8x

205

3,5x15



1.



GL010

TU070

TU060

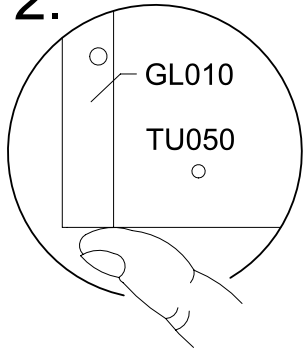
TU050

TU040

3.

205

2.



GL010

TU050

46

8x

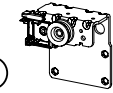
1173

6,3x14



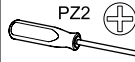
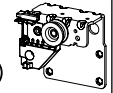
1x

1177



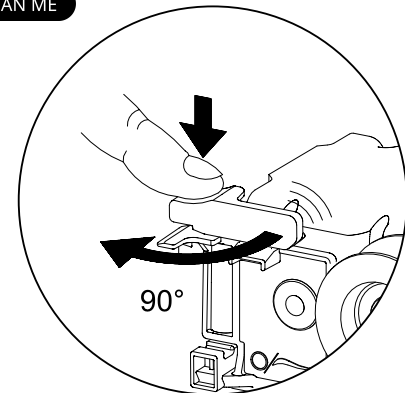
1x

1178

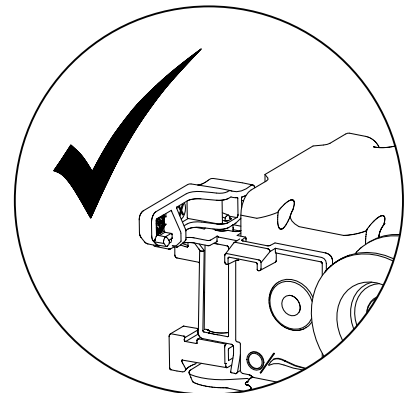


SCAN ME

1.



90°



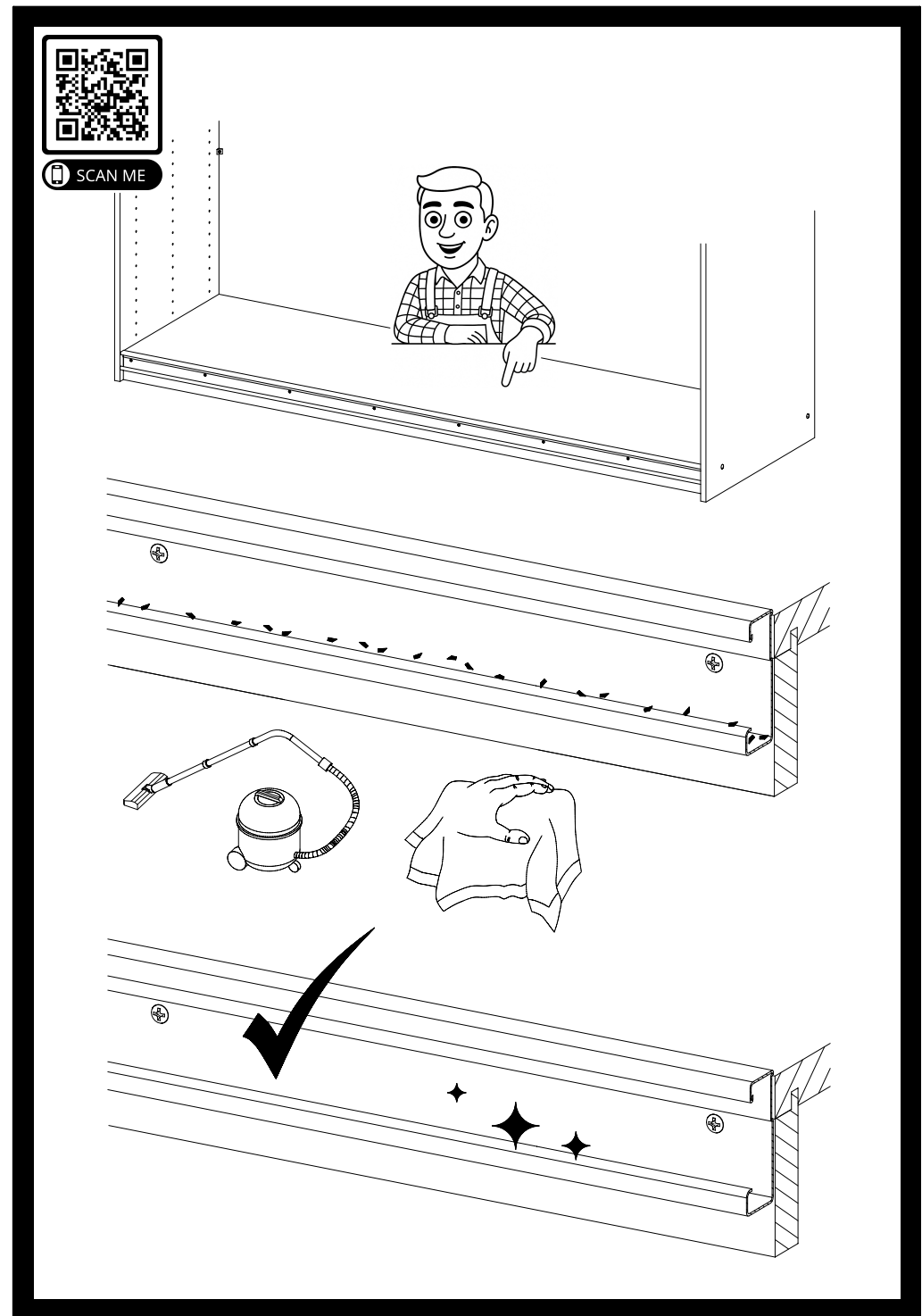
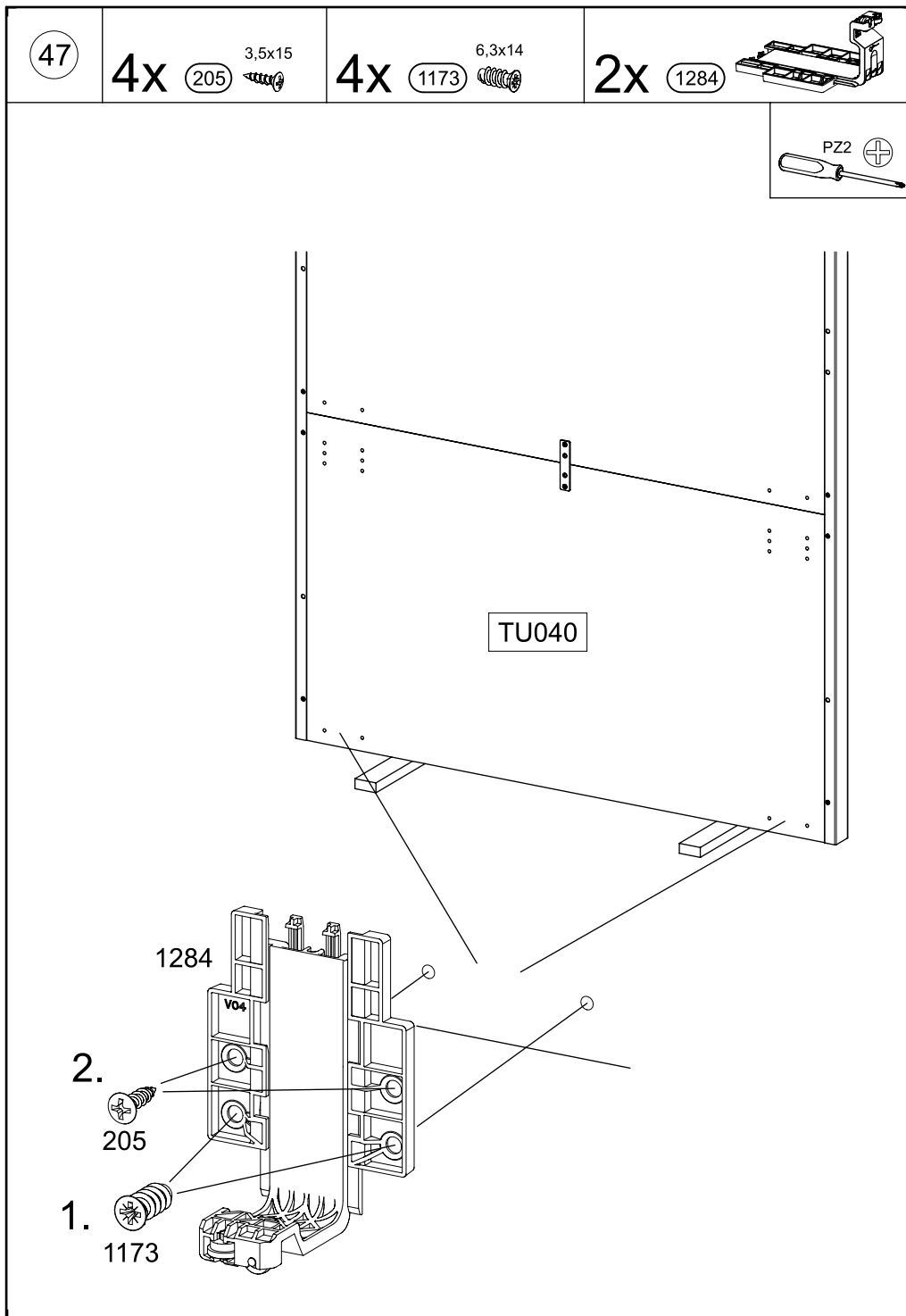
TU070

1178

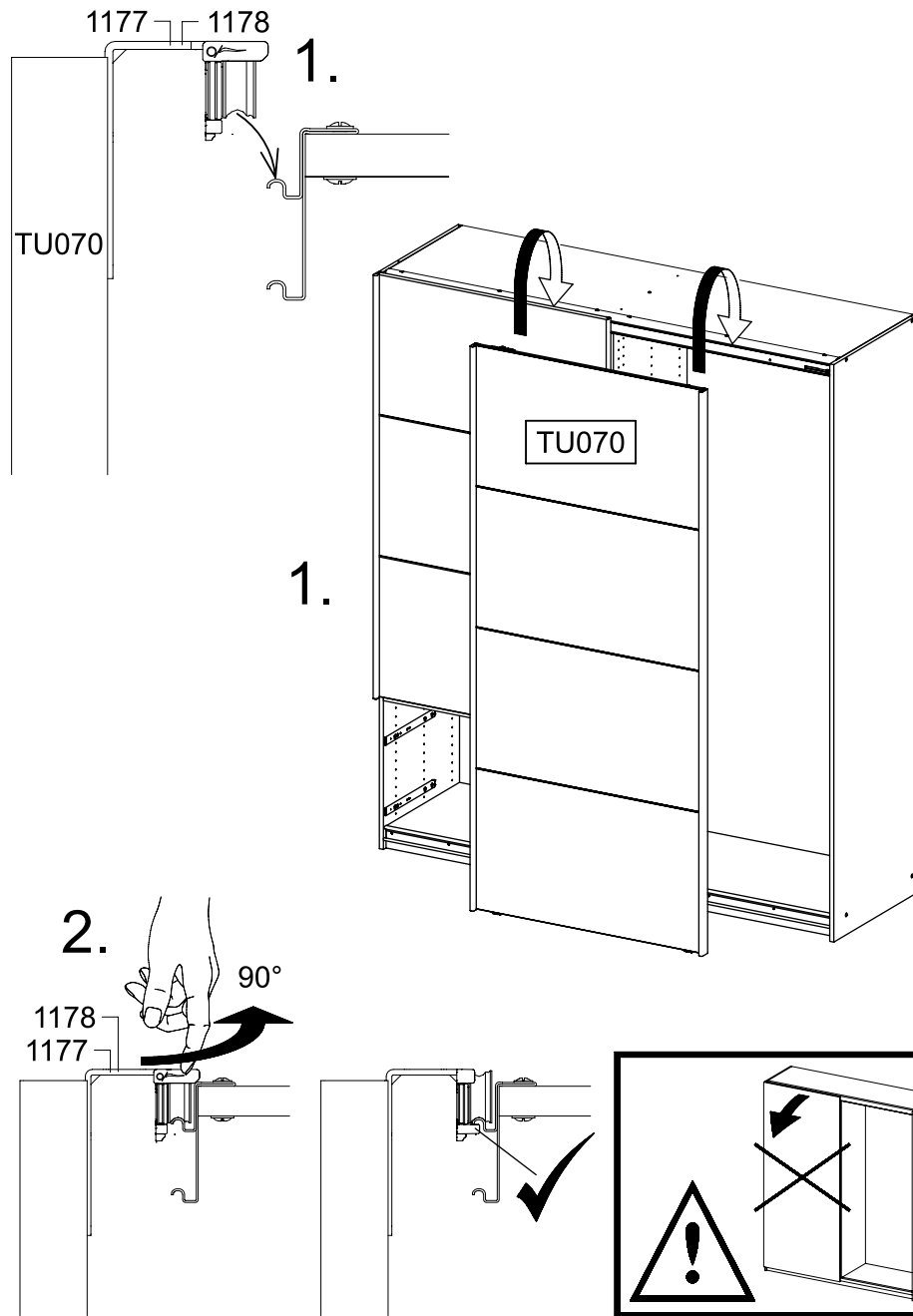
1177

1173

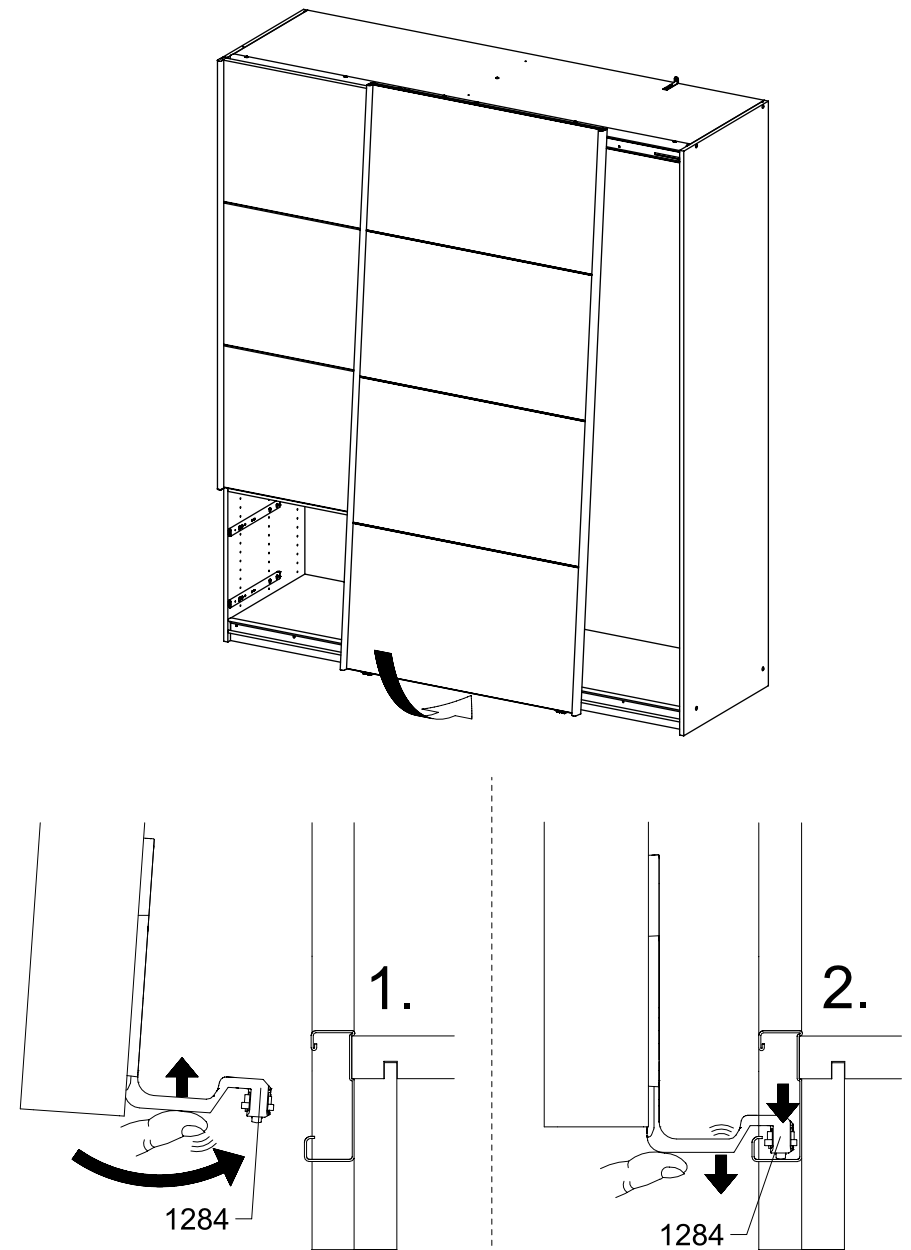
1173



48



49



50

0-3x

12

55x16x6,2



4x

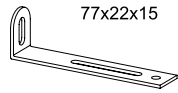
201

4x15



2x

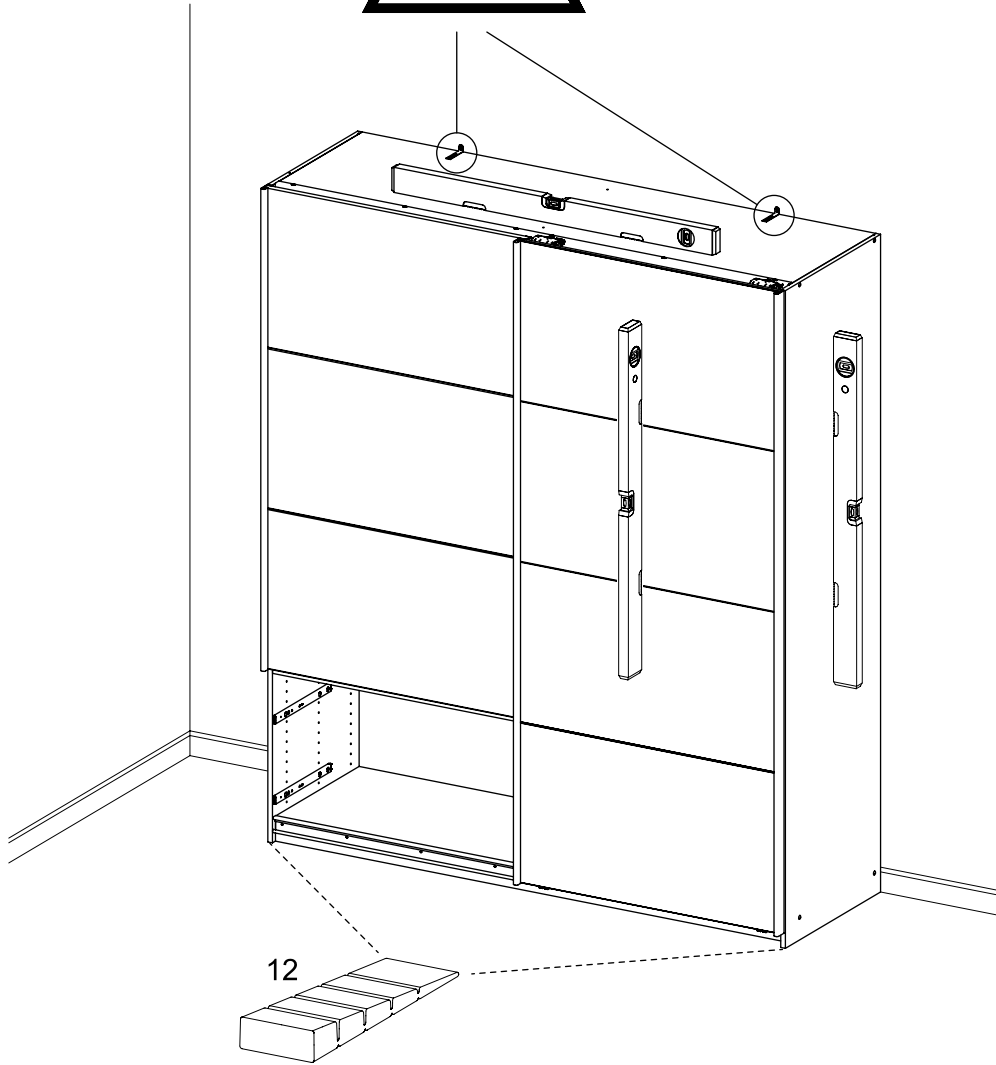
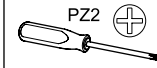
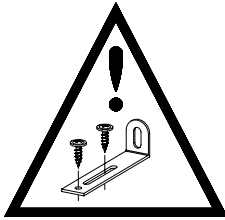
68



77x22x15



SCAN ME

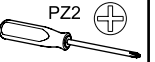


12

51

8x

45



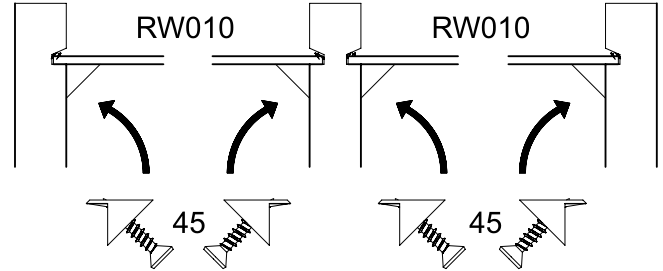
SE010

MS010

SE020

RW010

RW010



45

45

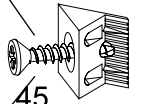
SE010

MS010

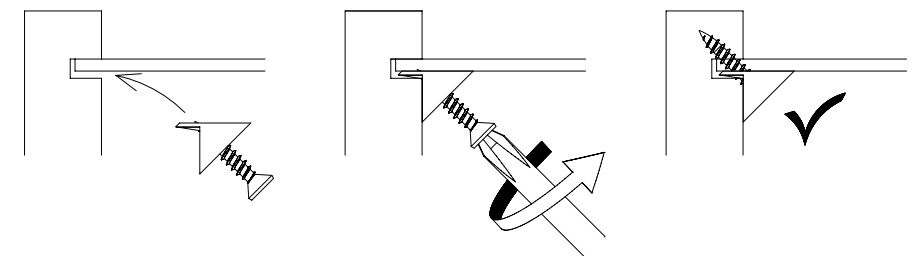
SE020



45

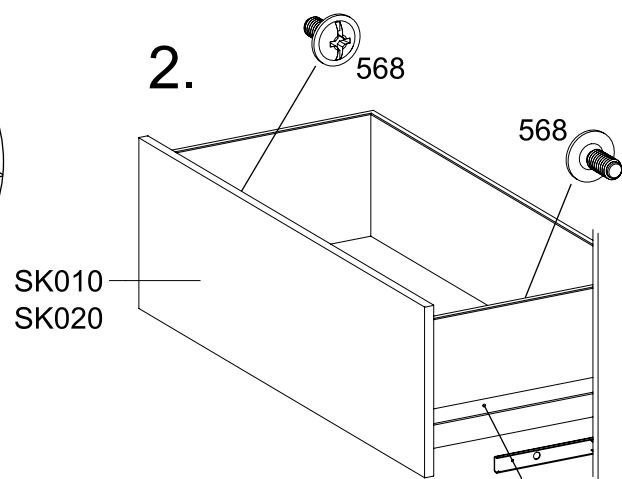
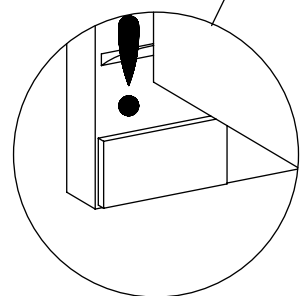
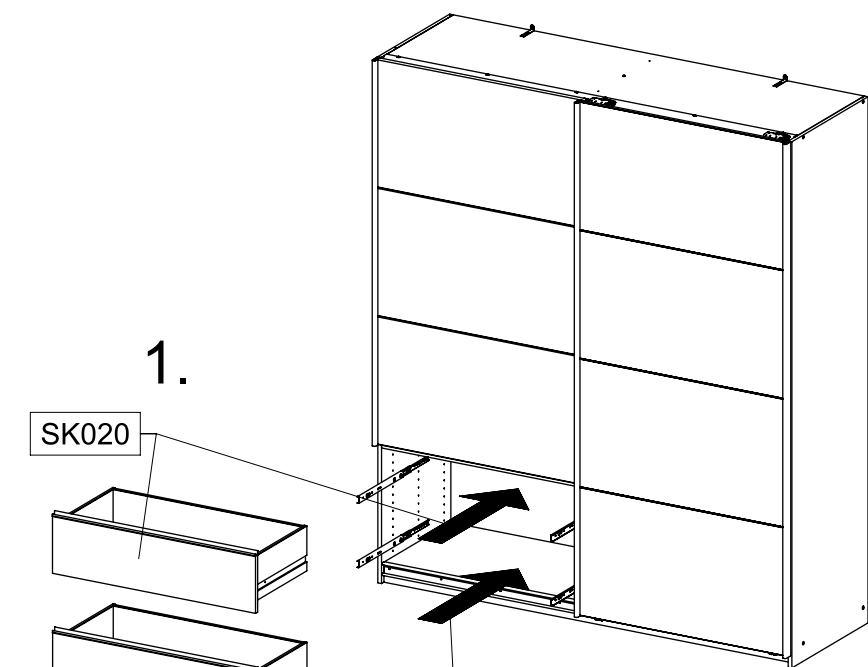
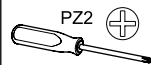


45



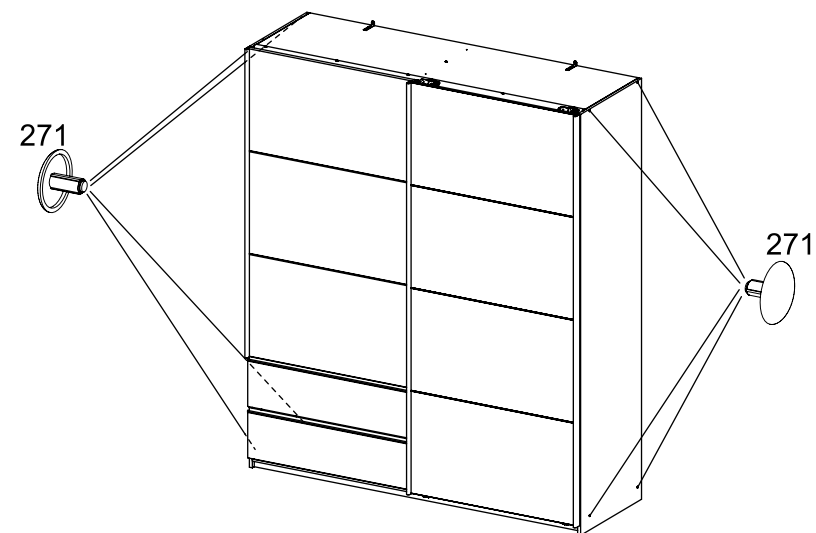
52

4x 568 M4x9



53

8x 271



54

6x 144

