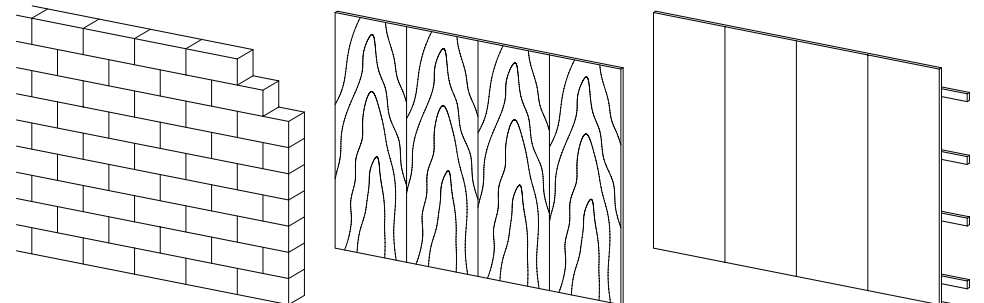
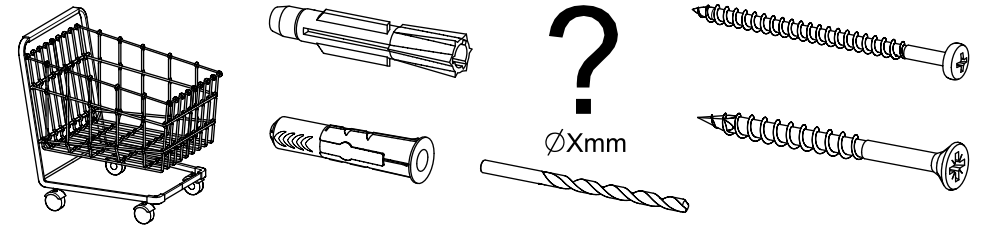
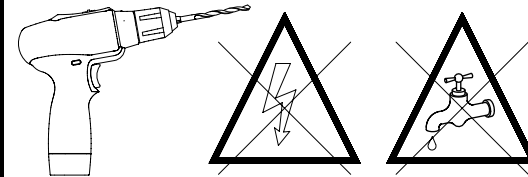
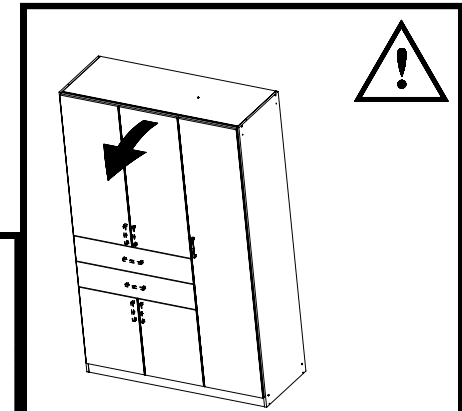
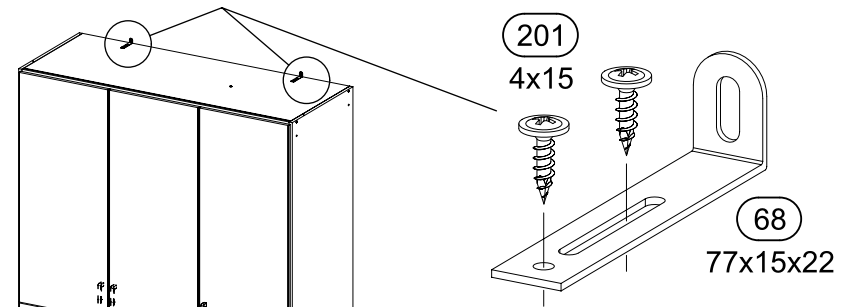
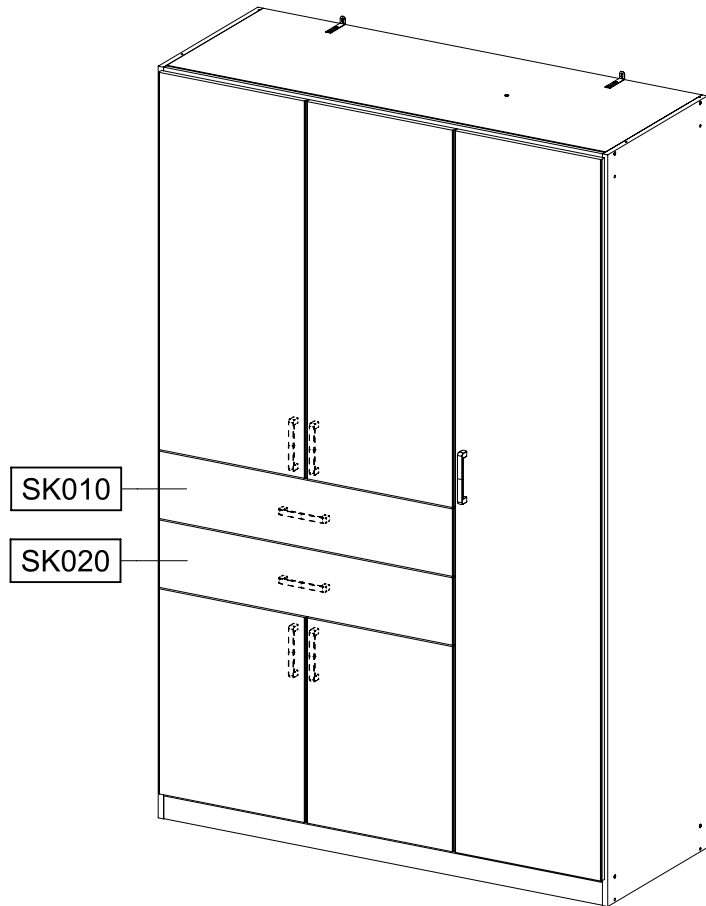
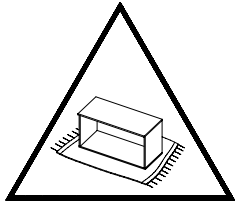
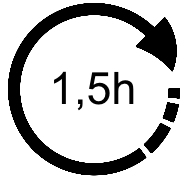
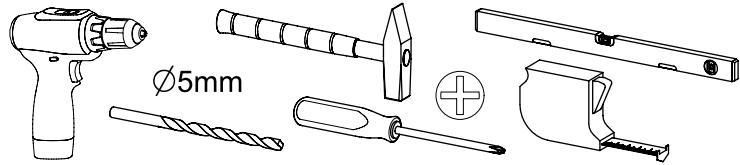
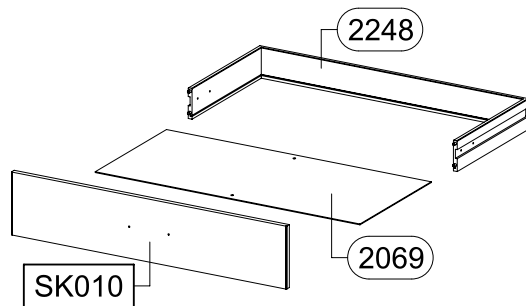
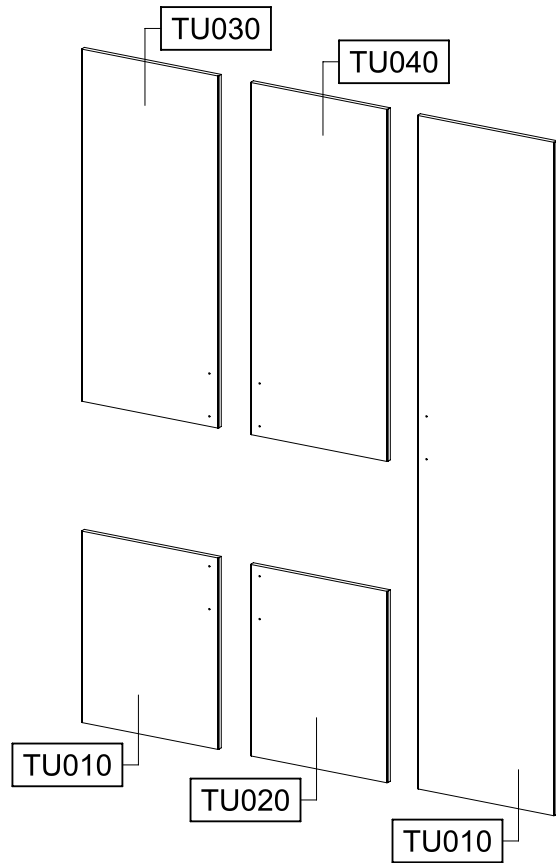
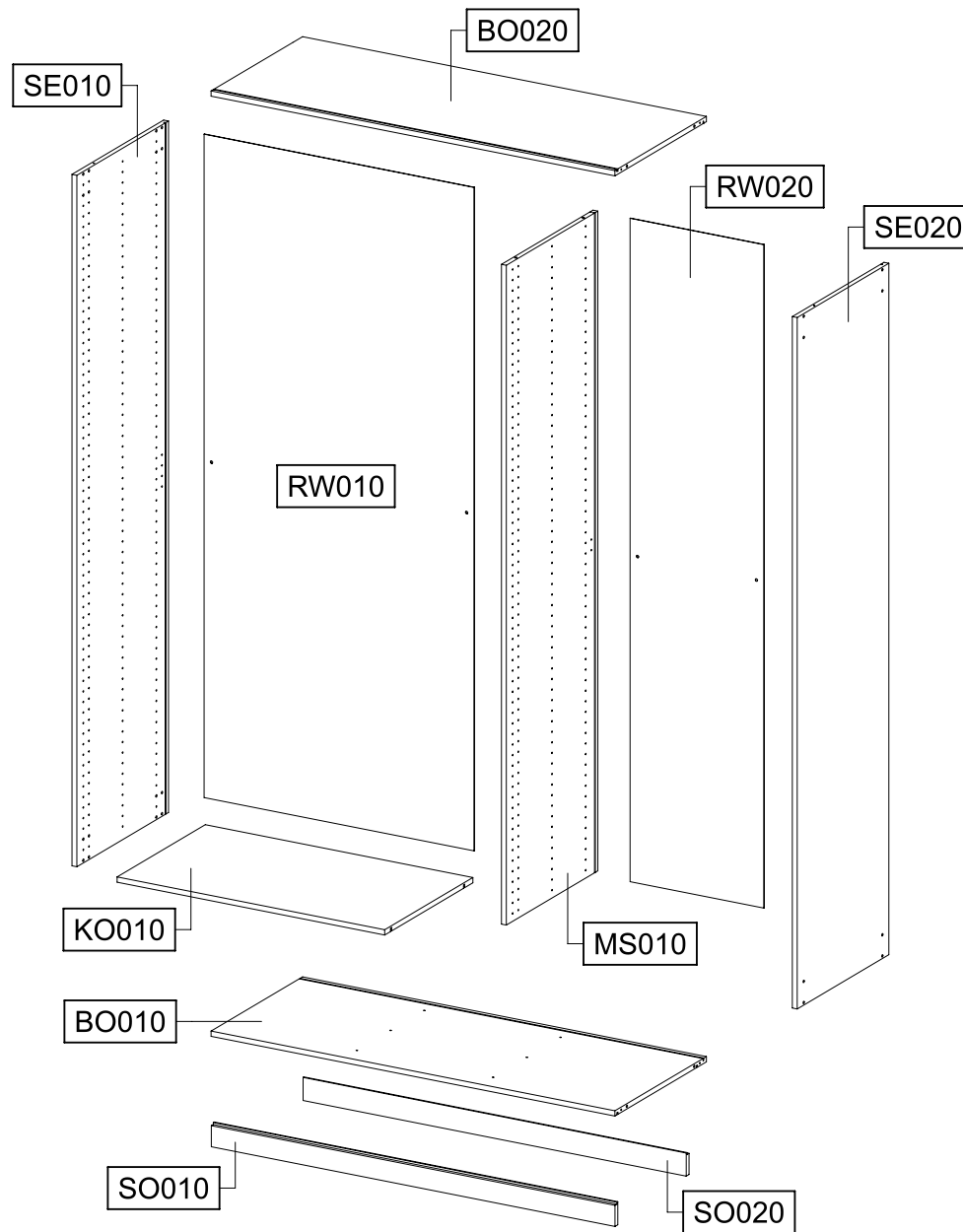


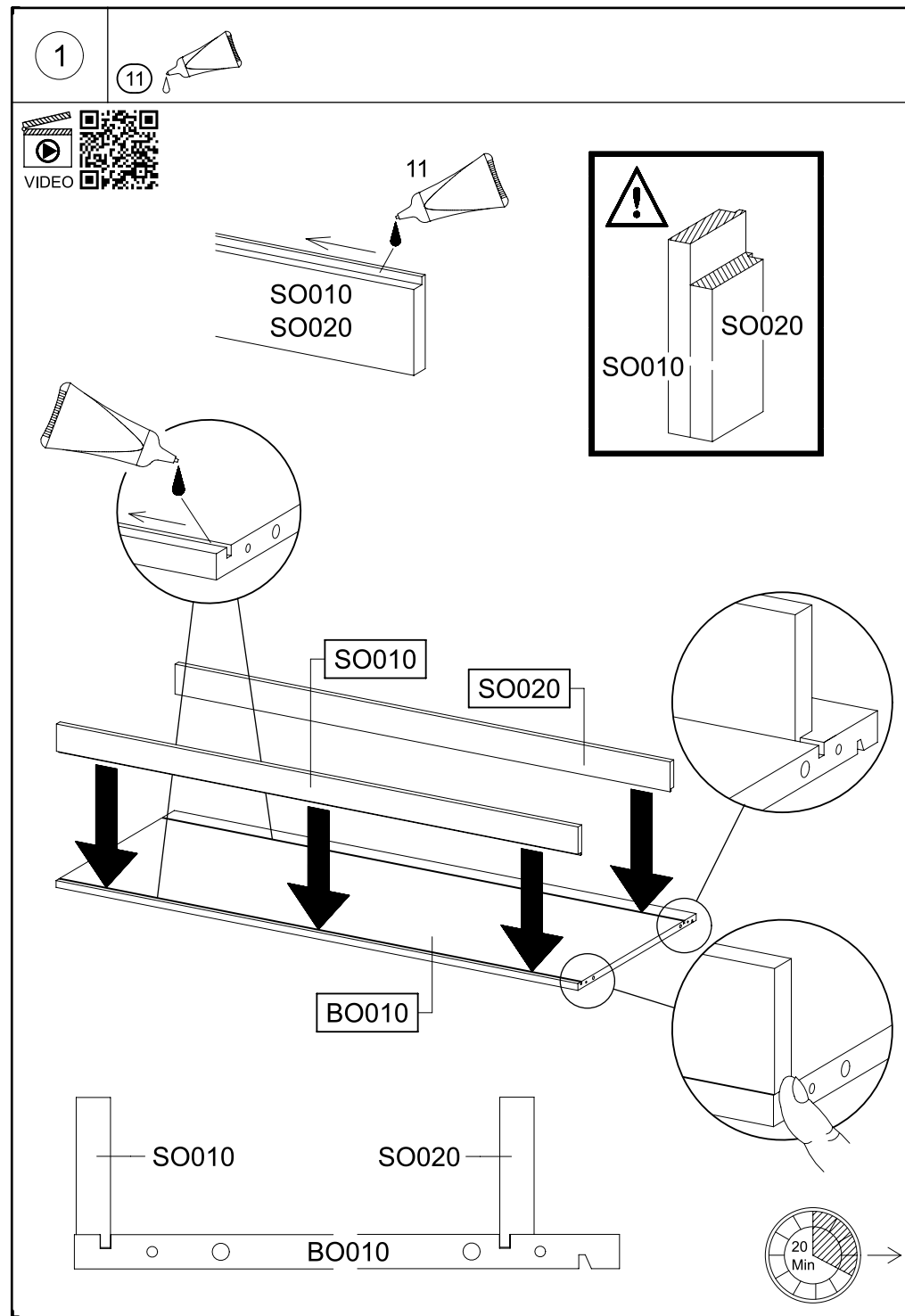
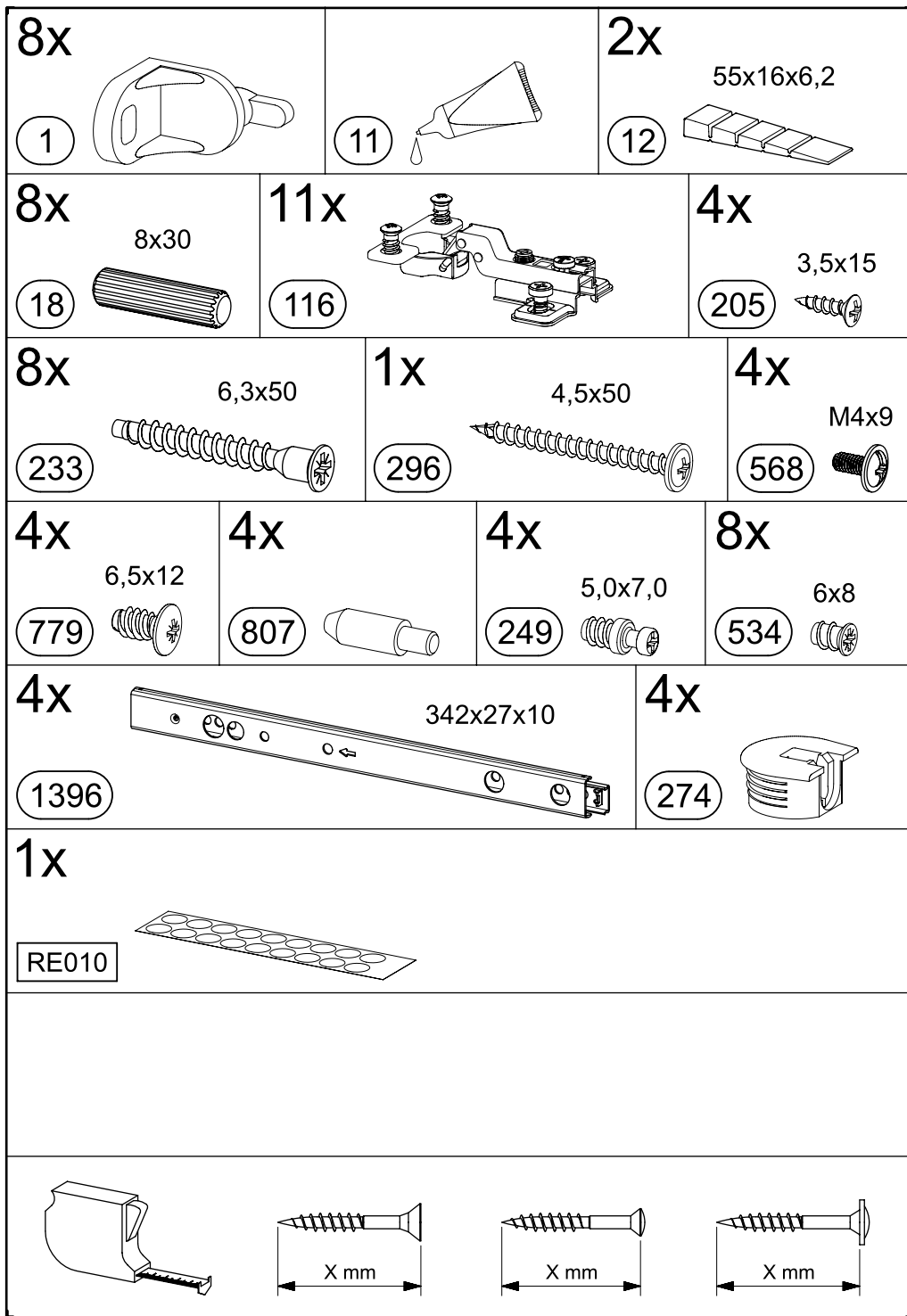
## M2920\_02

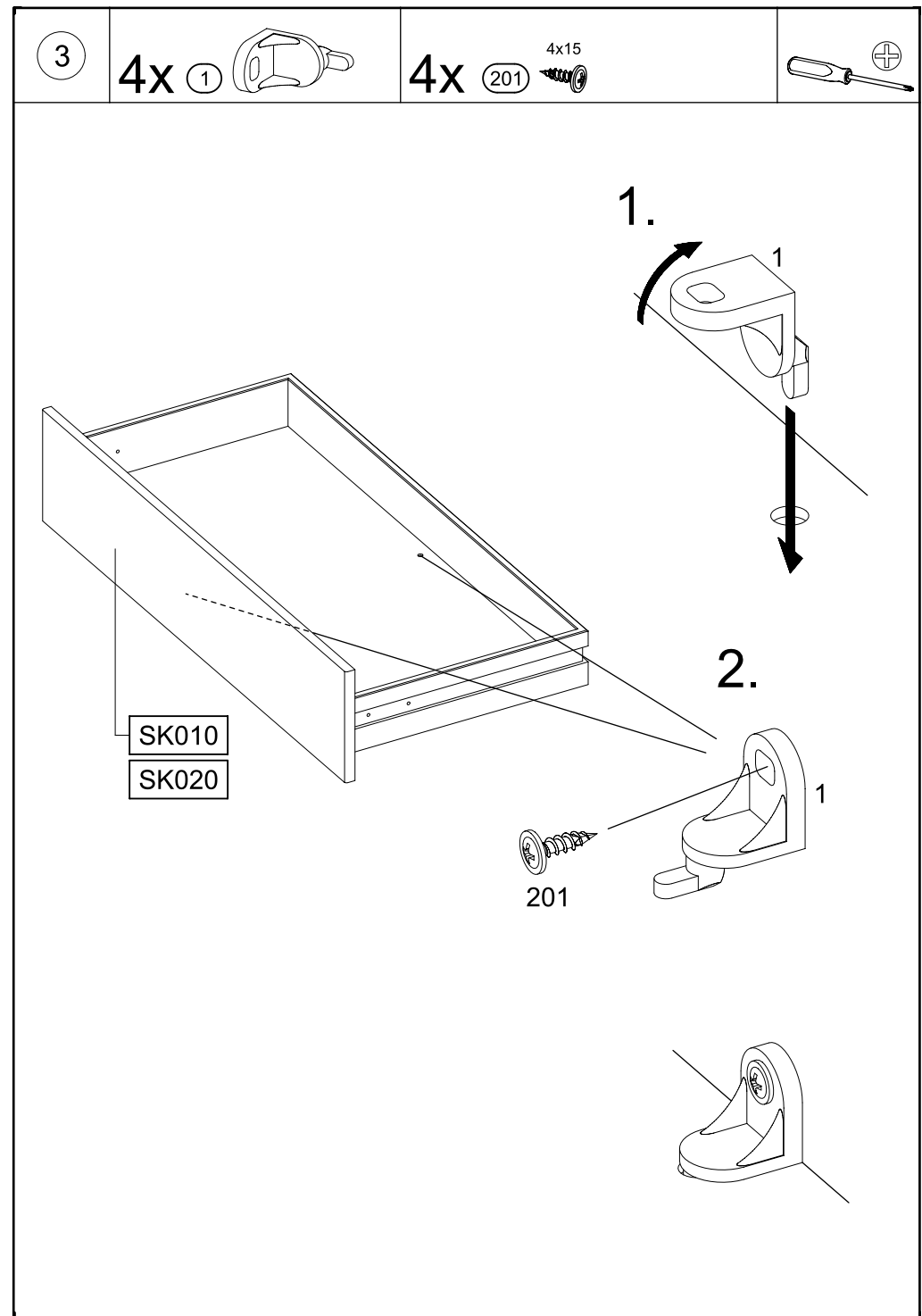
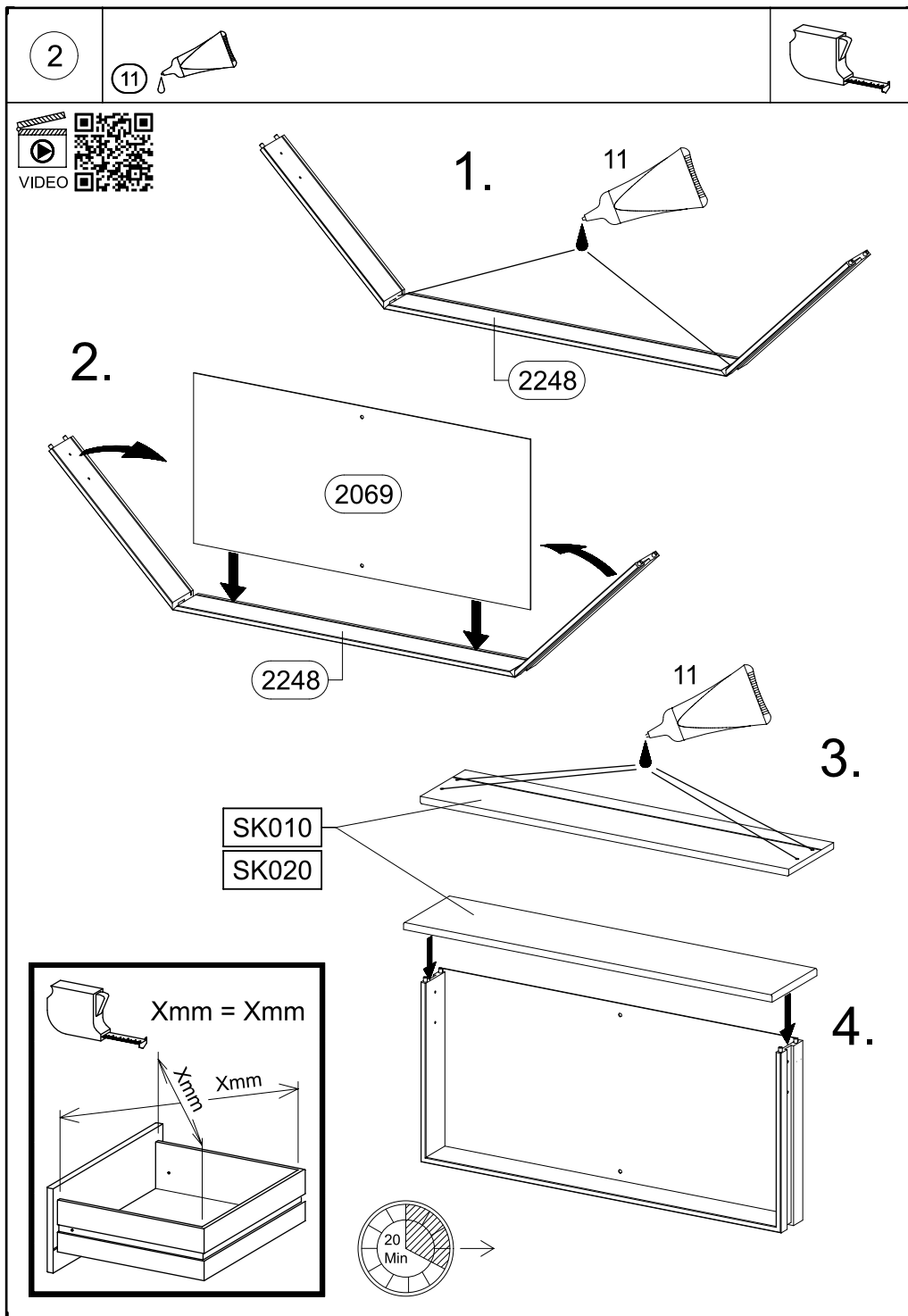


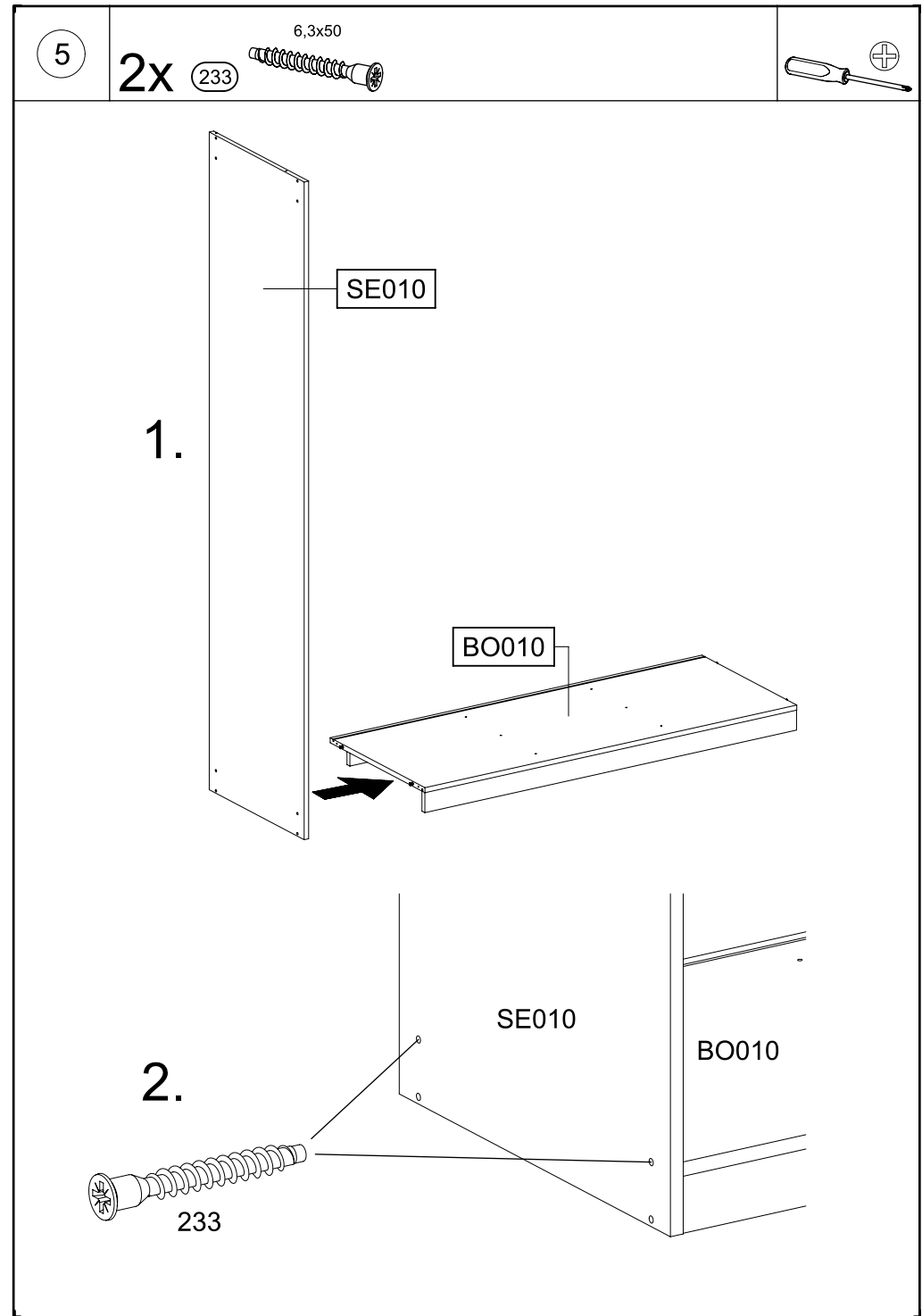
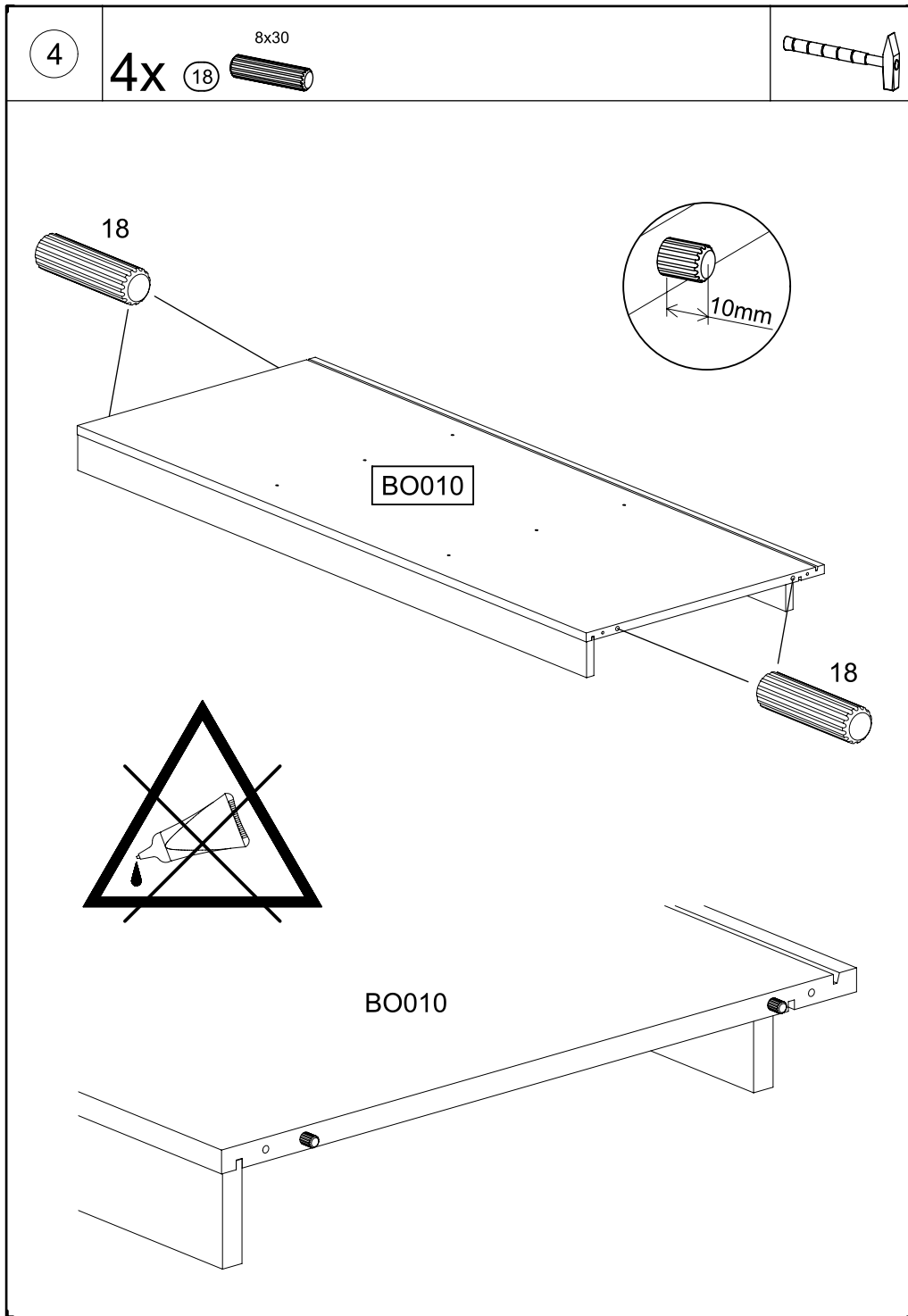


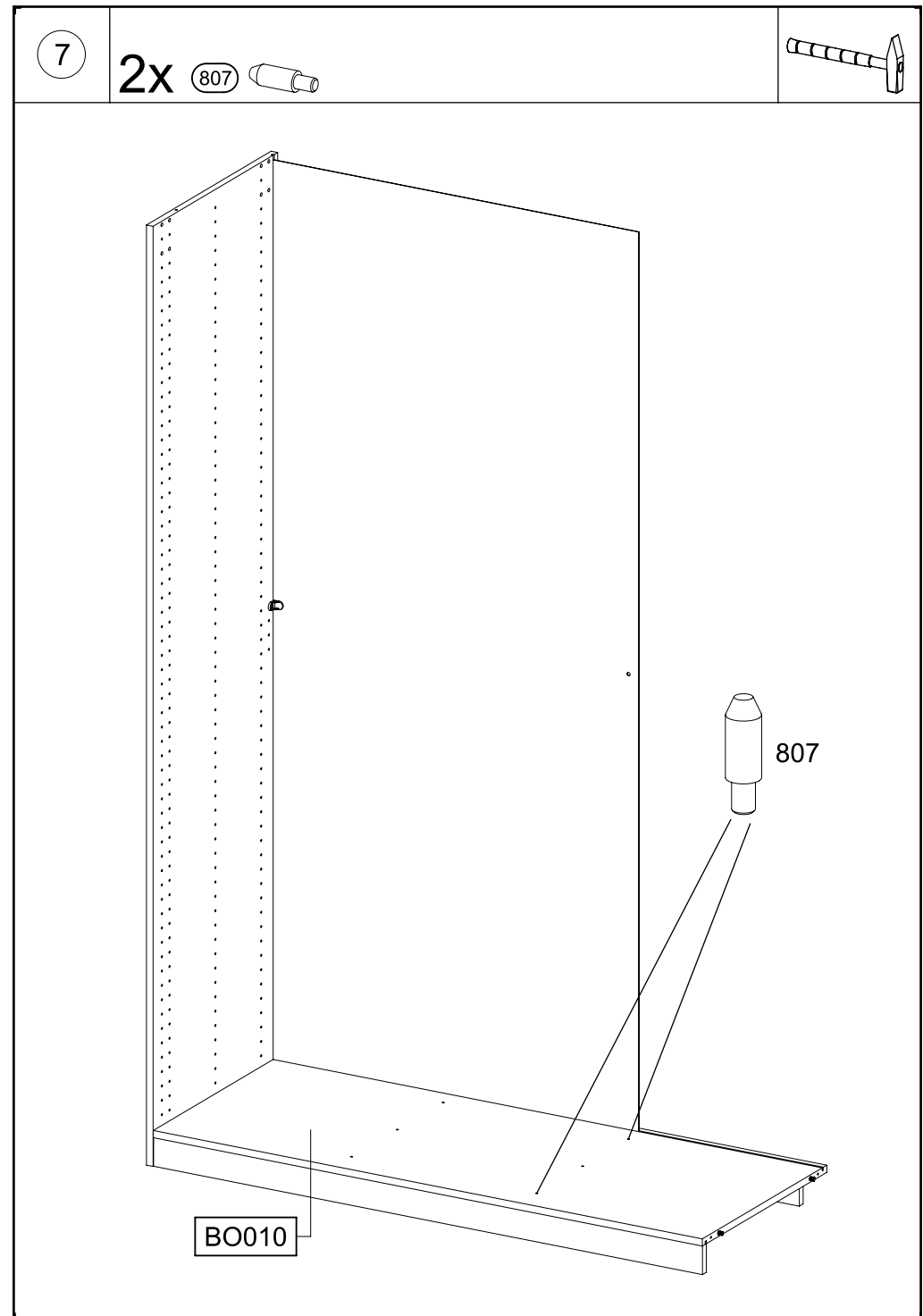
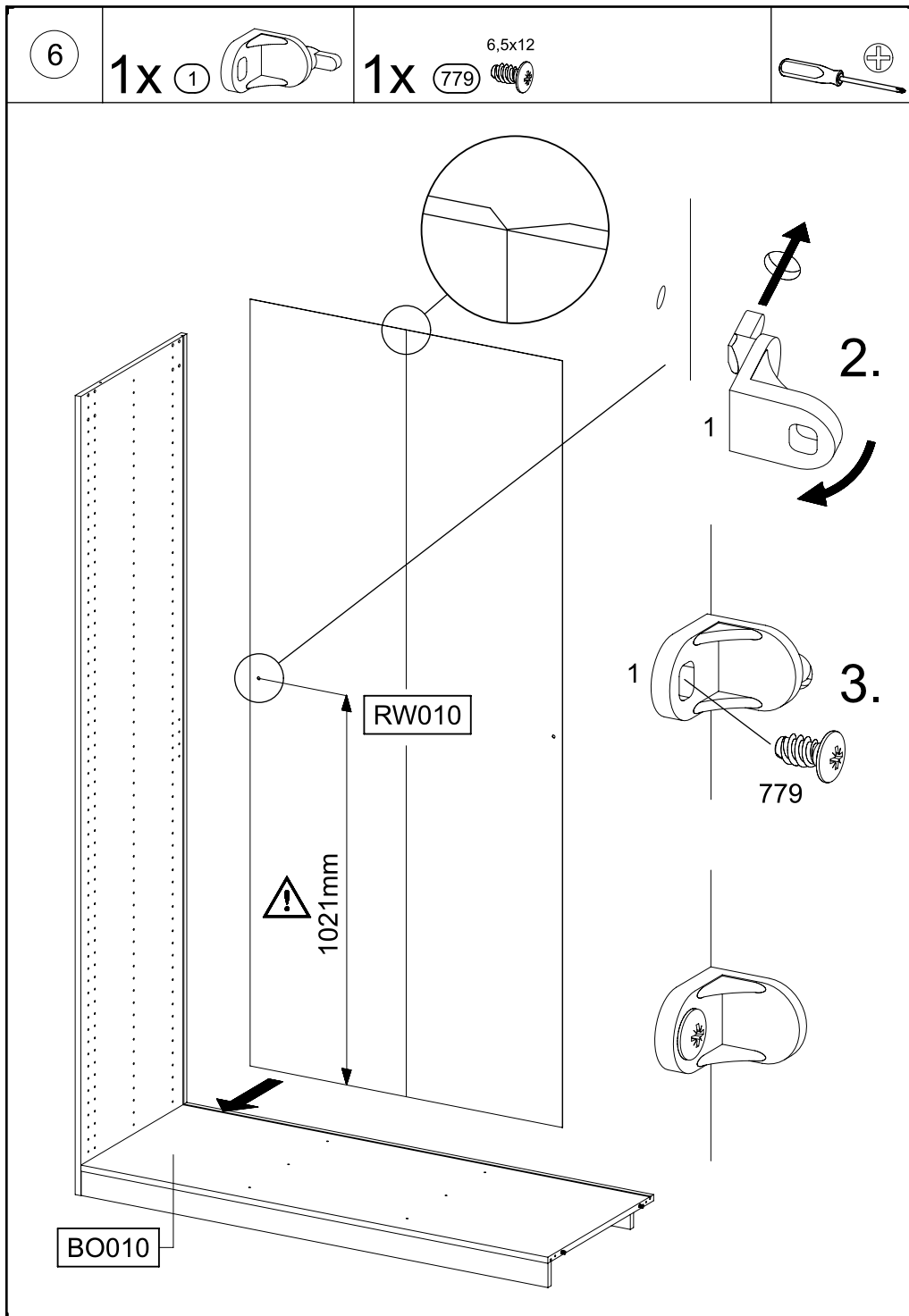
SK010 = SK020

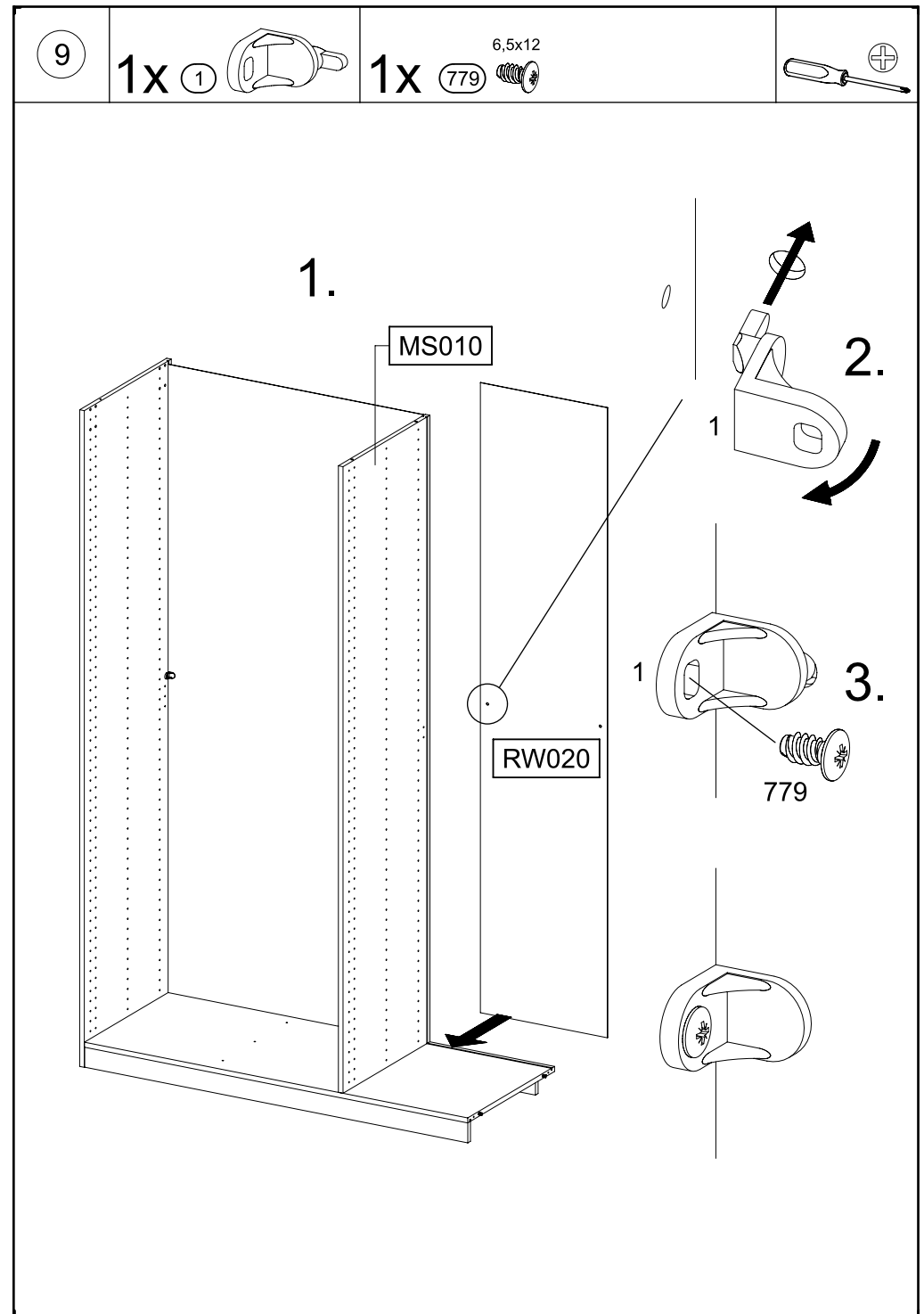
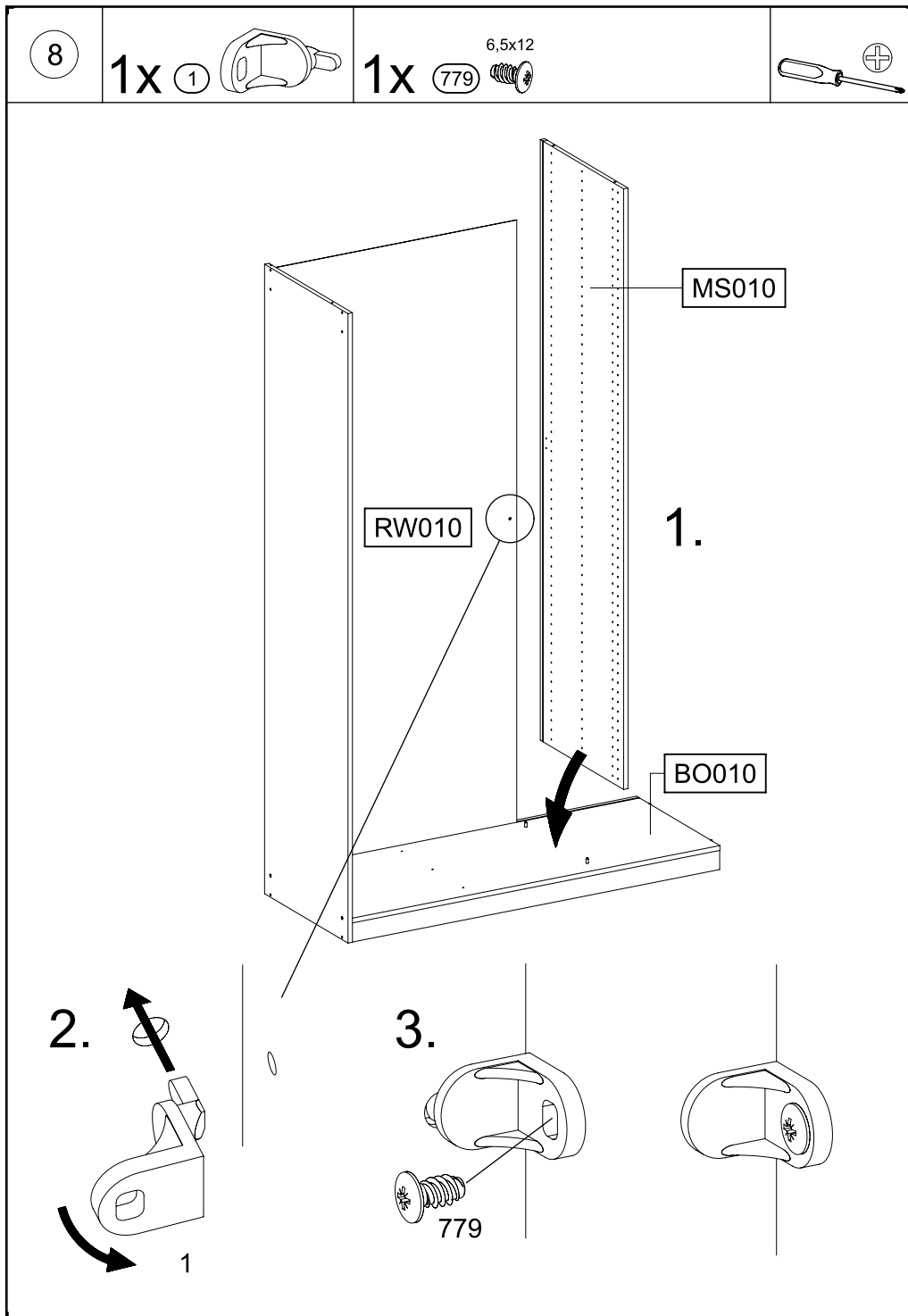












10

4x

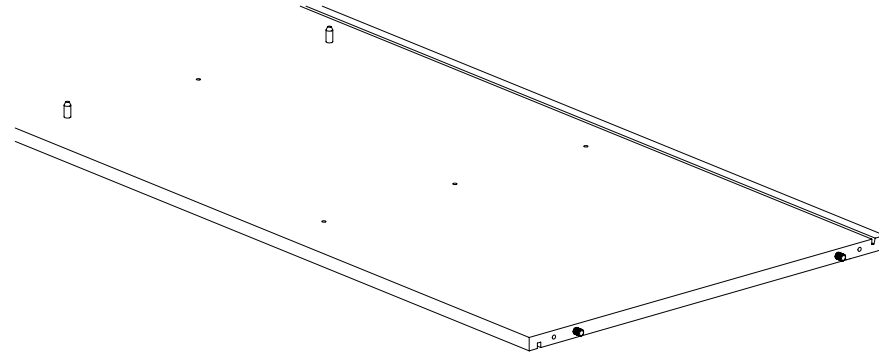
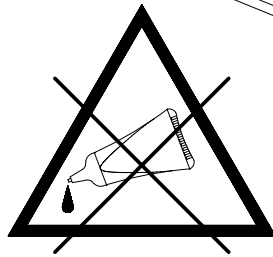
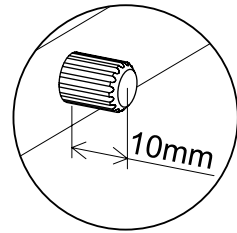
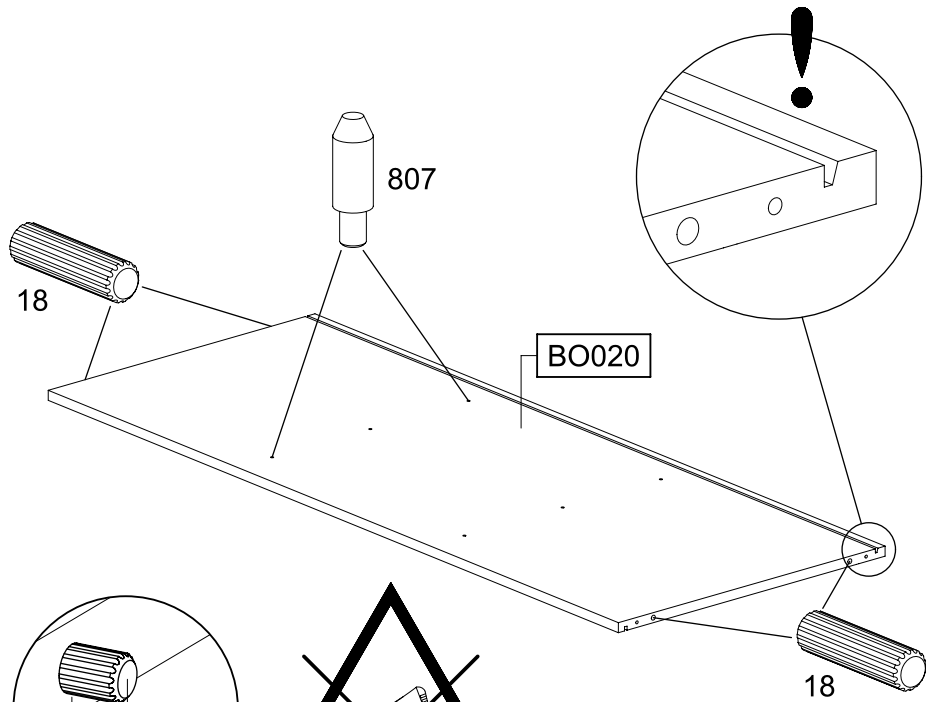
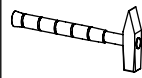
18

8x30



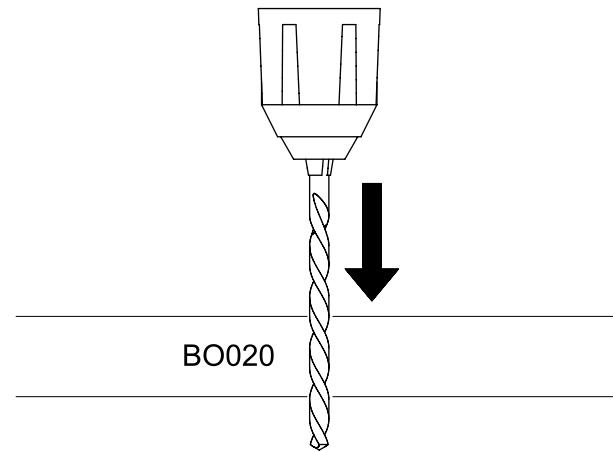
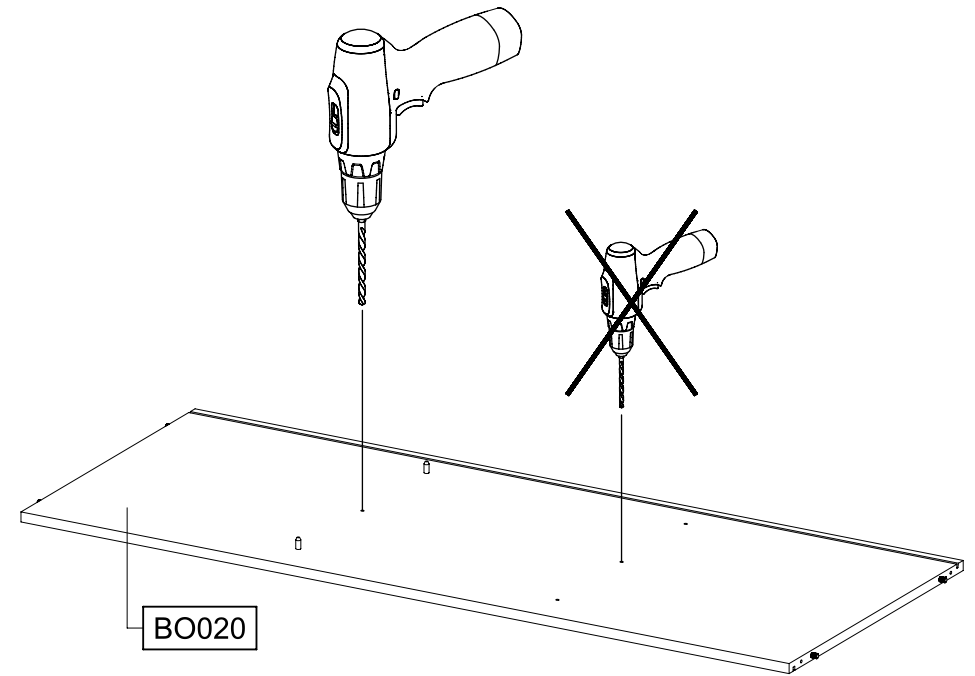
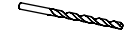
2x

807



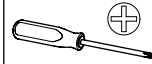
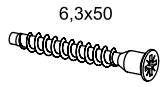
11

Ø5mm

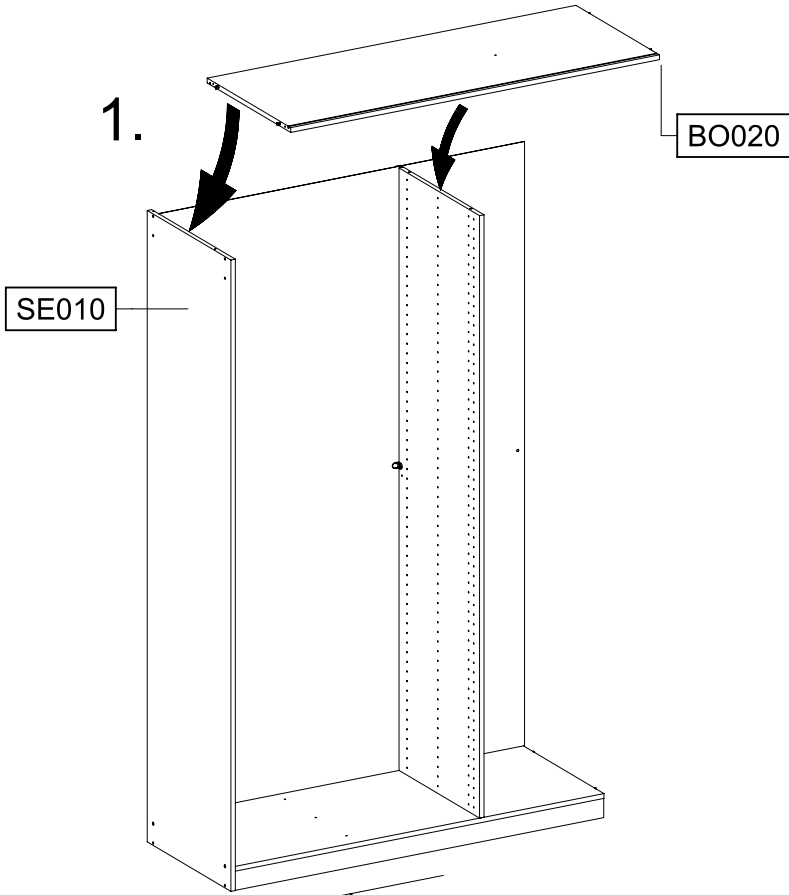


12

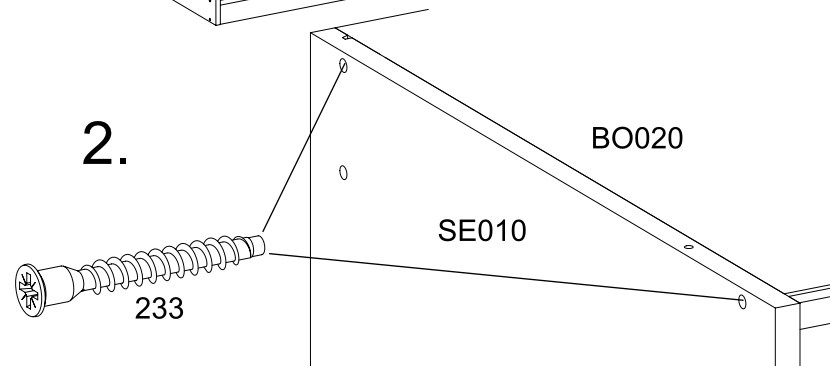
2x 233



1.

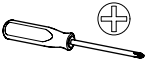
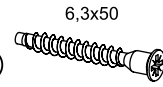


2.



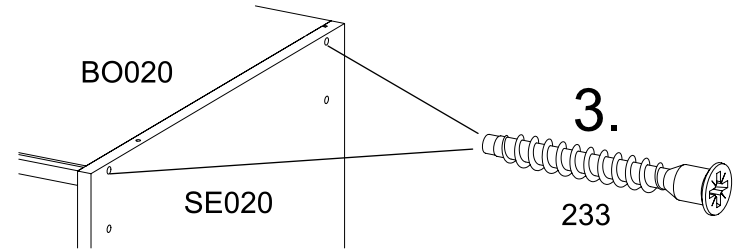
13

4x 233



BO020

3.



SE020

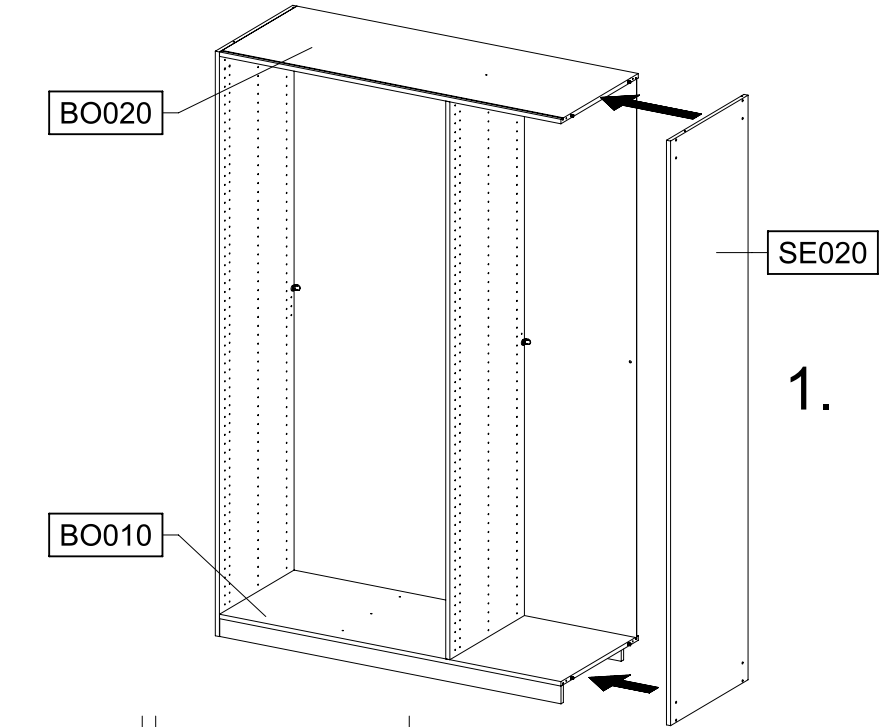
233

BO020

SE020

1.

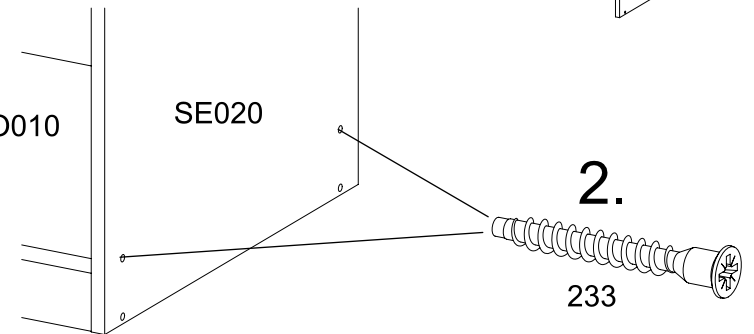
BO010



BO010

SE020

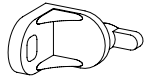
2.



233

14

1x ①

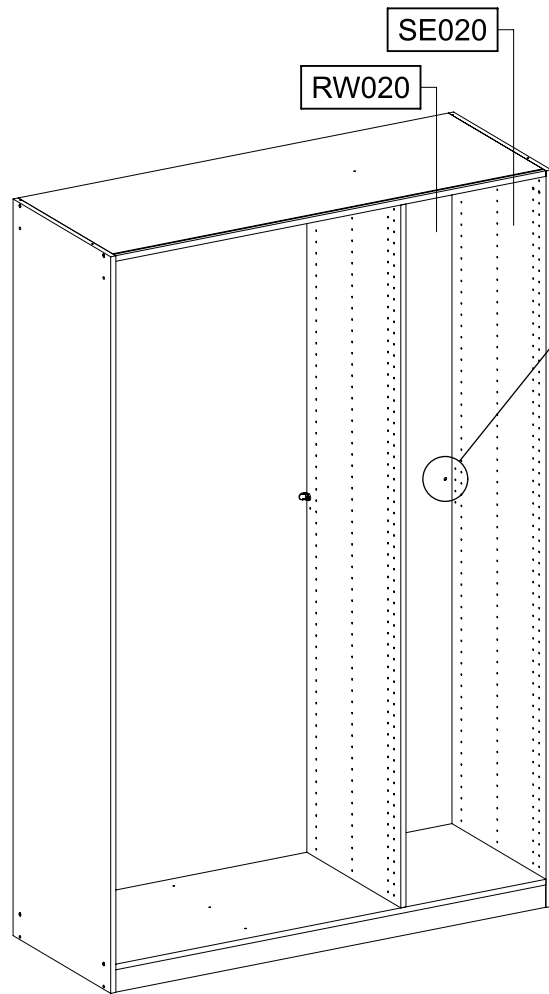
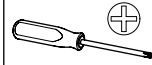


1x ②

779



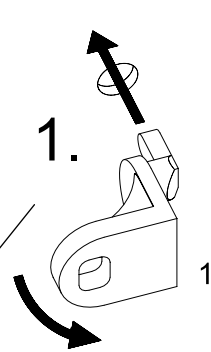
6,5x12



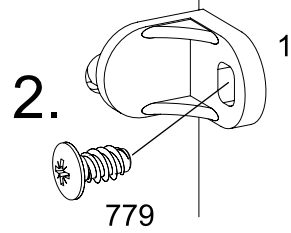
SE020

RW020

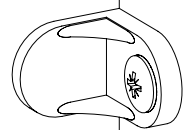
1.



2.



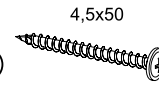
779



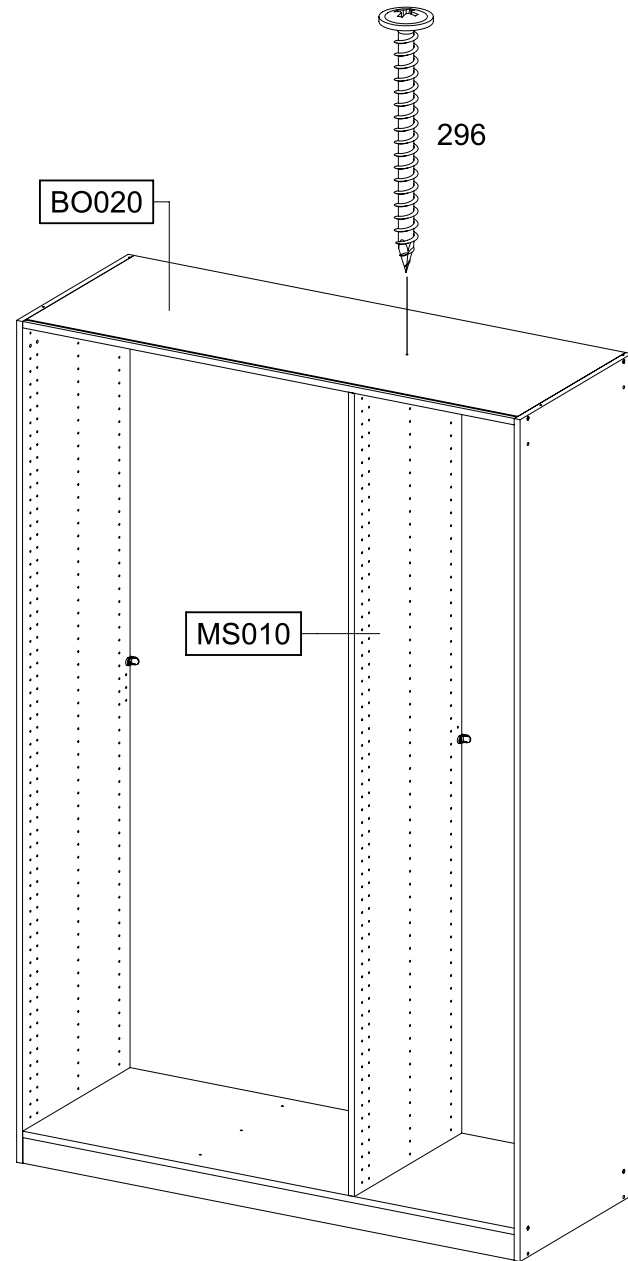
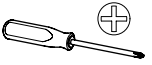
15

1x ③

296



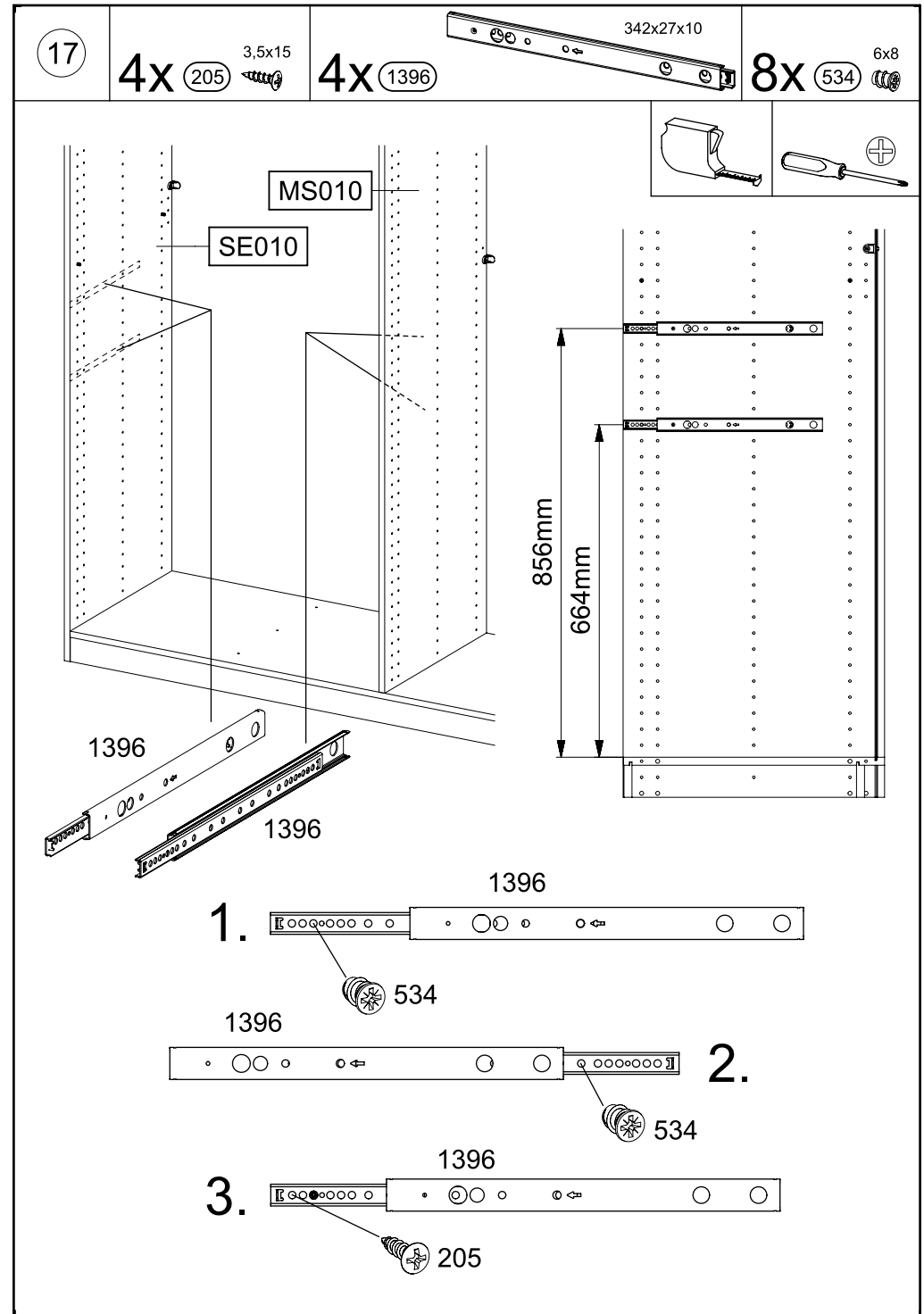
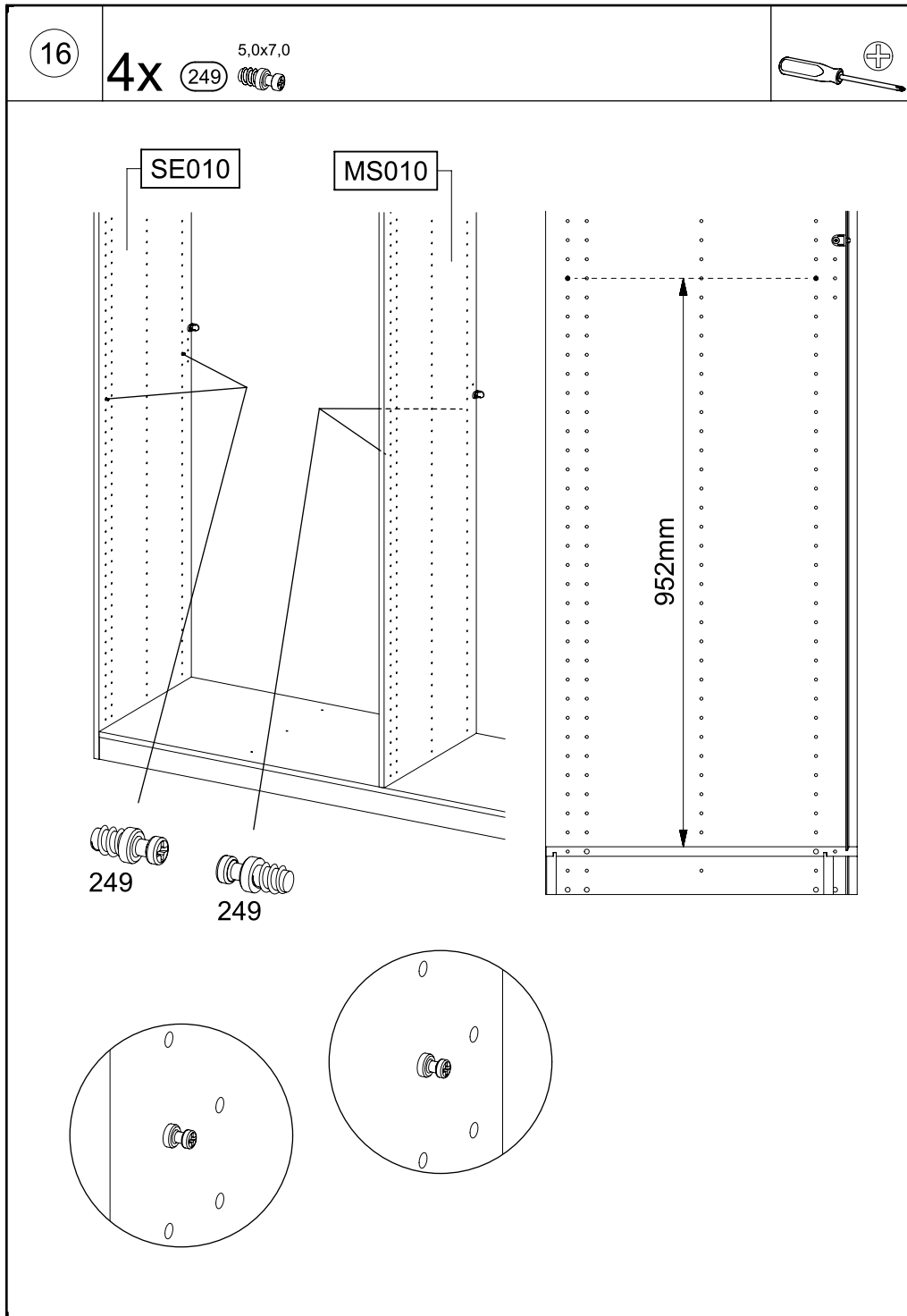
4,5x50



BO020

MS010

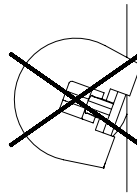
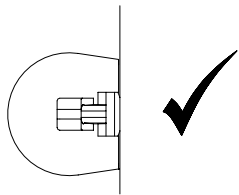
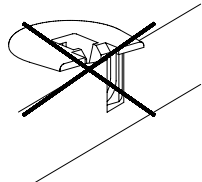
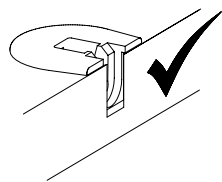
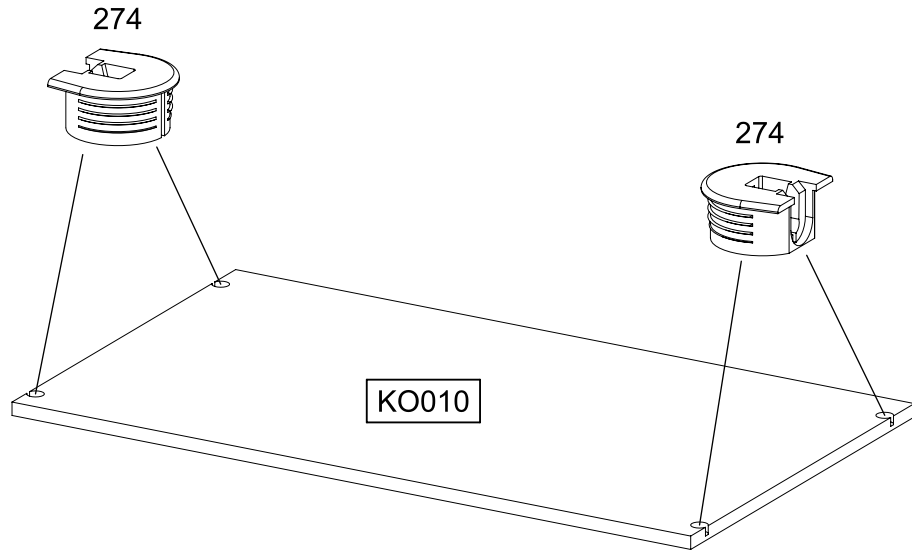
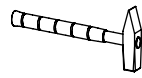
296



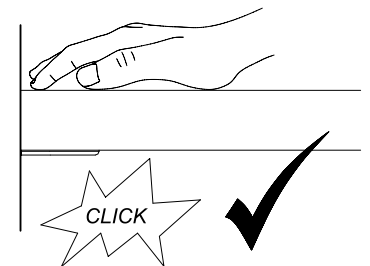
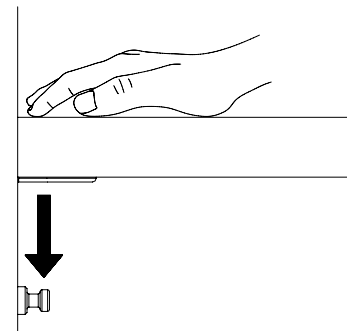
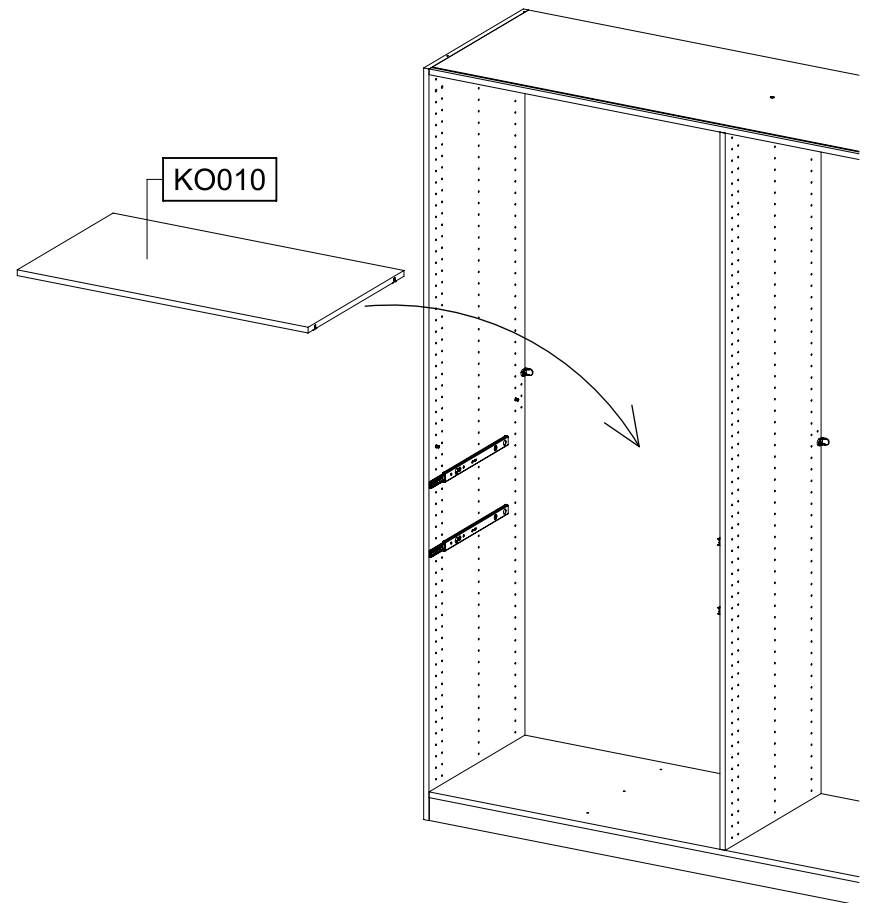
18

4x

274



19

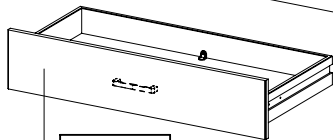
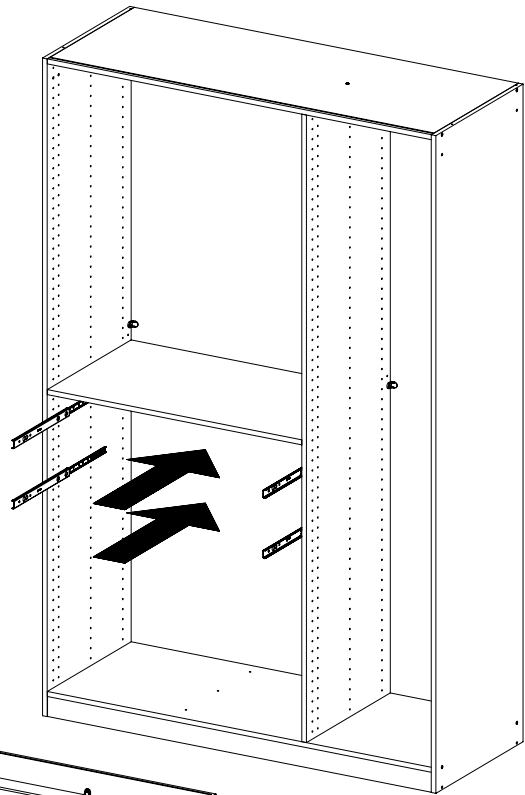
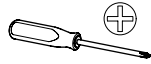


20

4x

568

M4x9



SK010

SK020

568



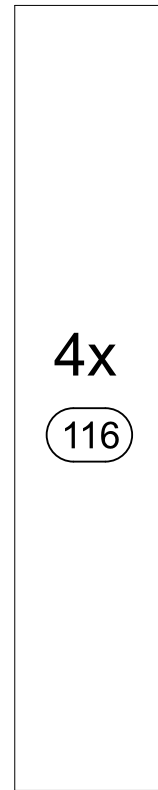
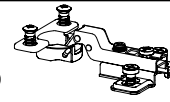
568



SK010  
SK020

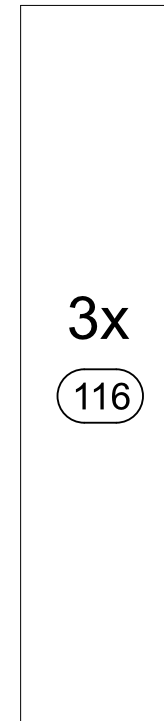
21

116



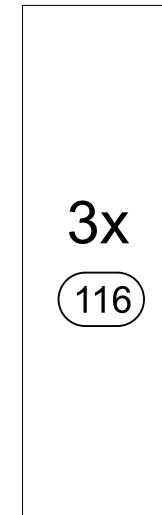
4x

116



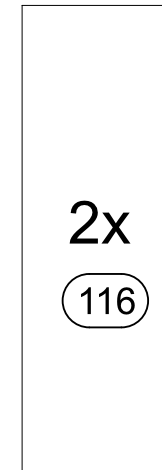
3x

116



3x

116

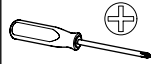
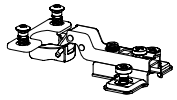


2x

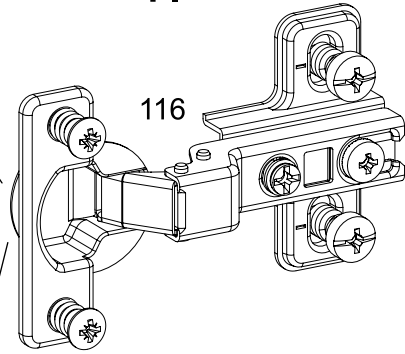
116

22

3x 116

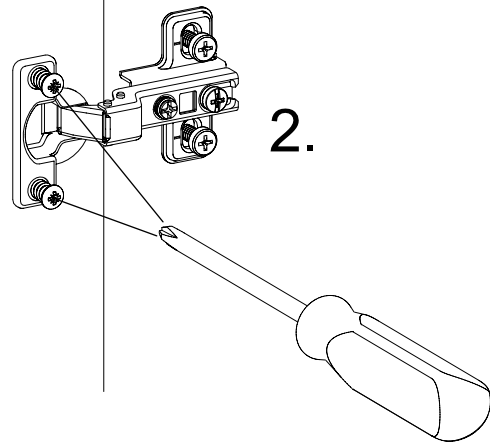


1.



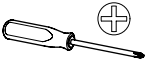
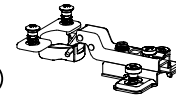
TU010

2.

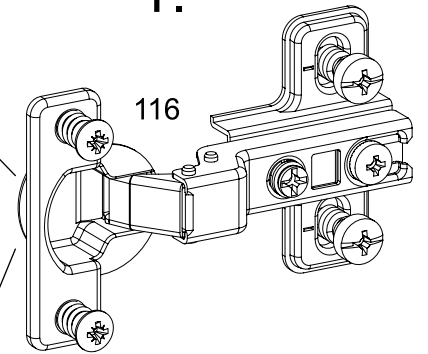


23

8x 116

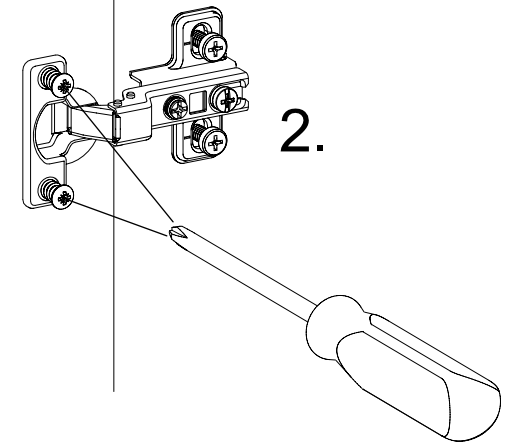


1.

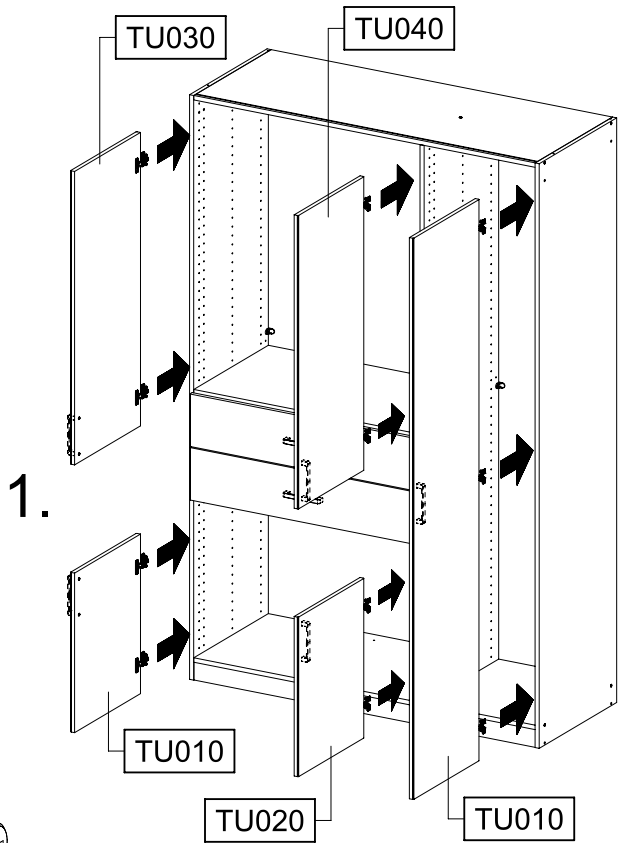
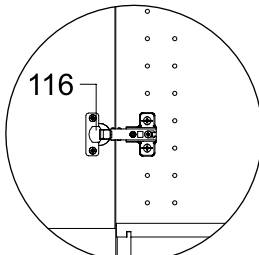
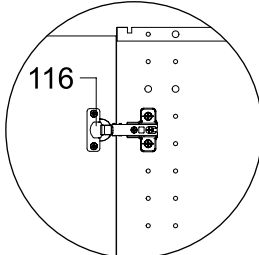
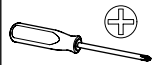


TU010  
TU020  
TU030  
TU040

2.



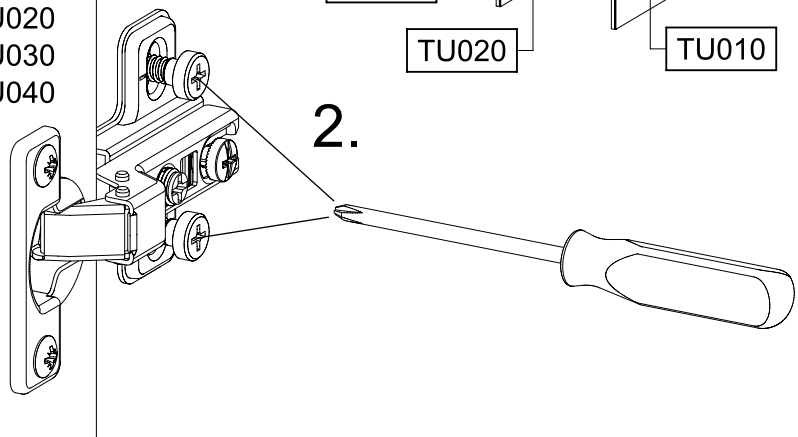
24



1.

TU010  
TU020  
TU030  
TU040

2.

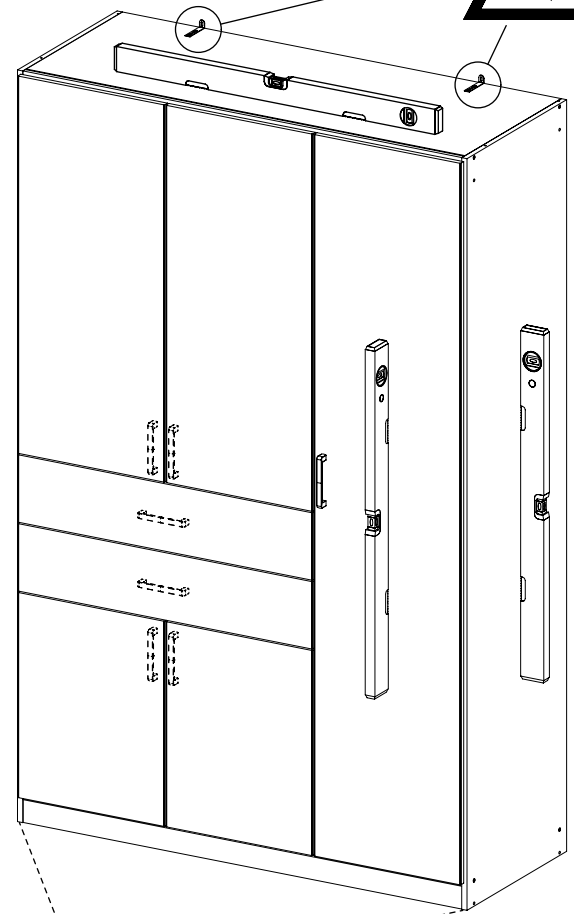
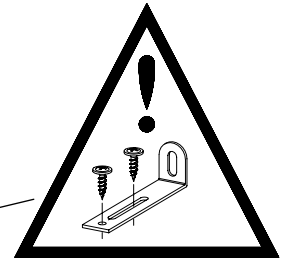
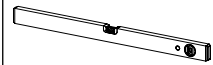
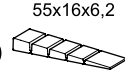


25

2x

12

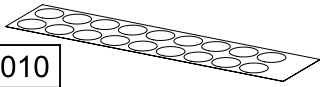
55x16x6,2



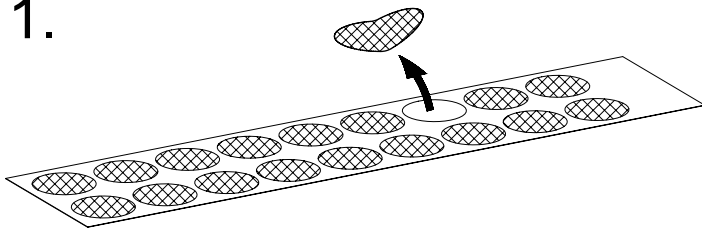
12

26

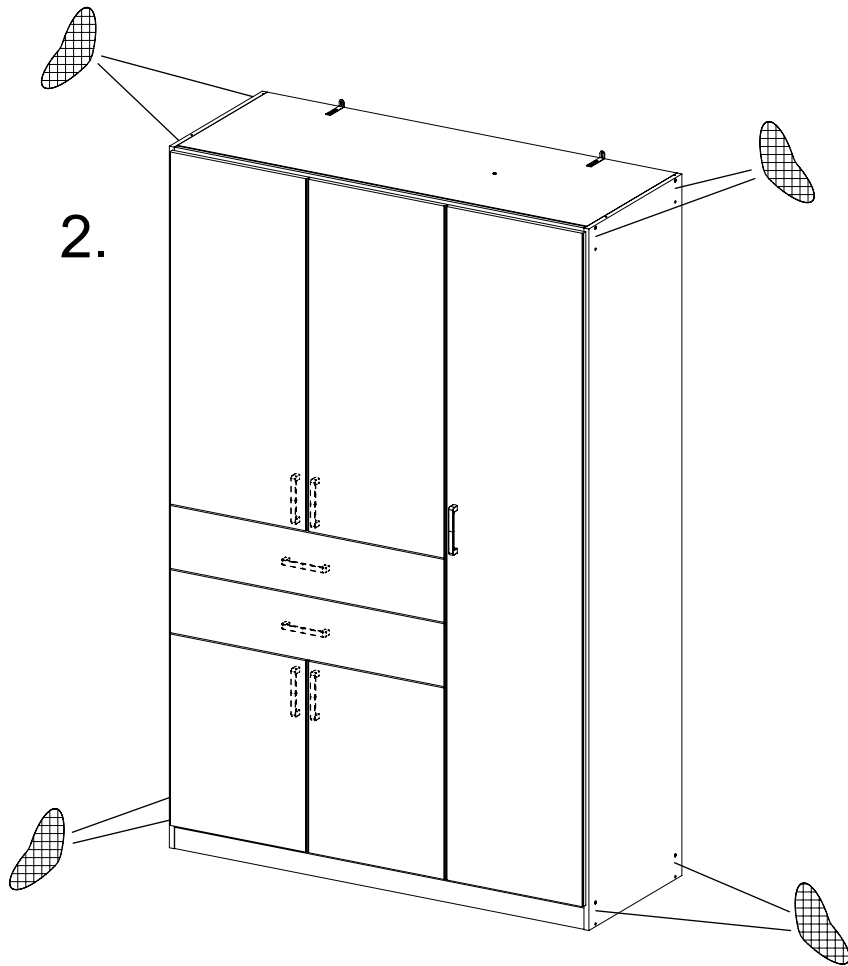
1x RE010



1.



2.



27

