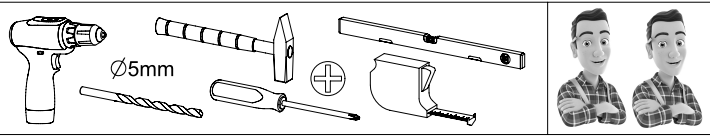
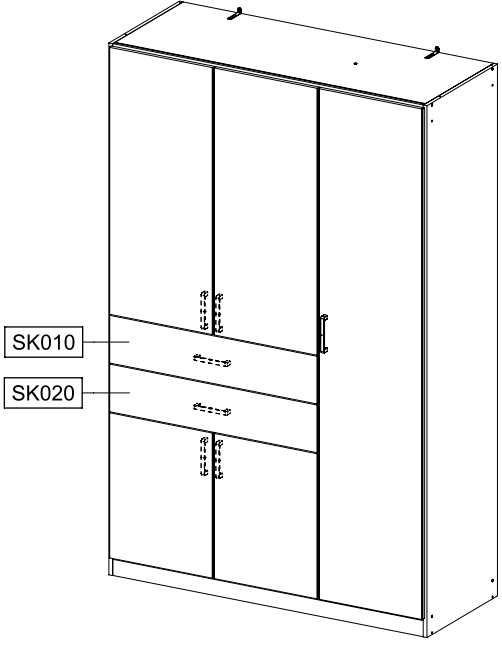
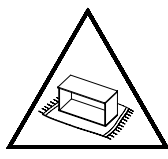


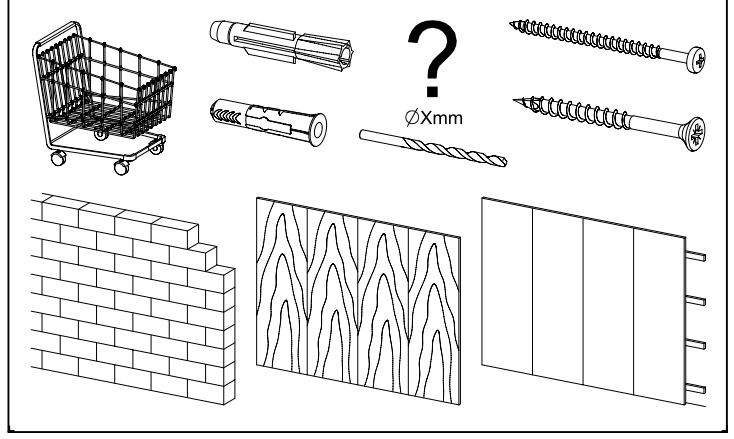
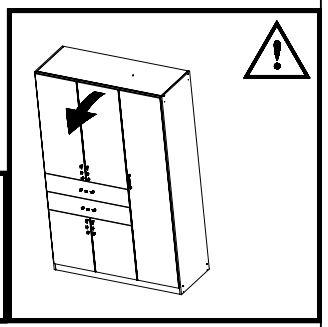
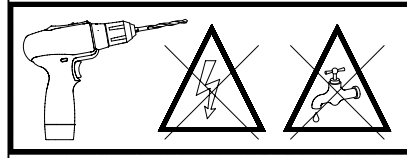
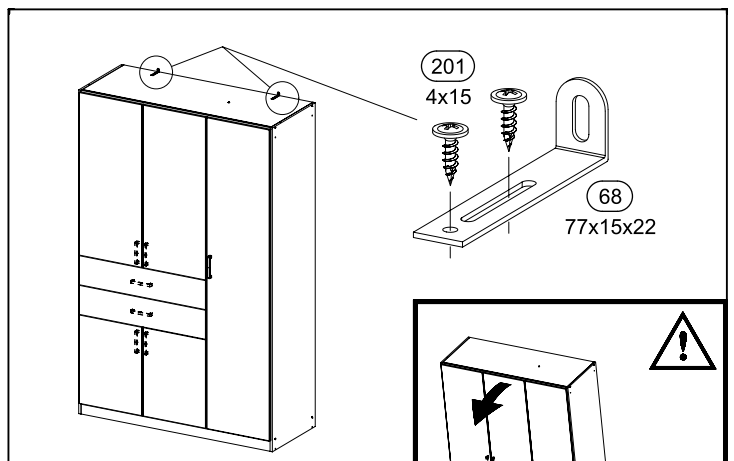
# M2920\_01



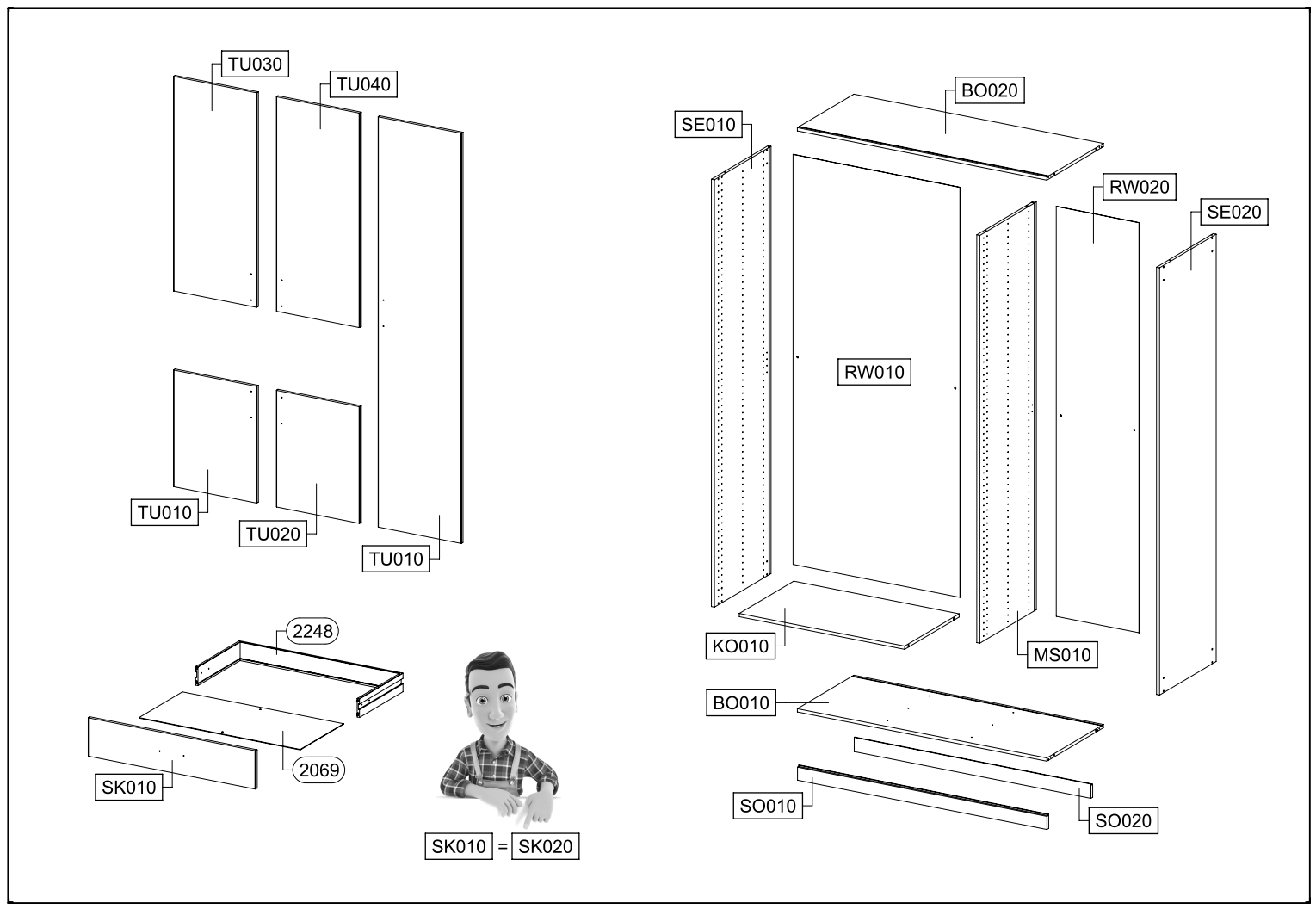
1,5h



M2920



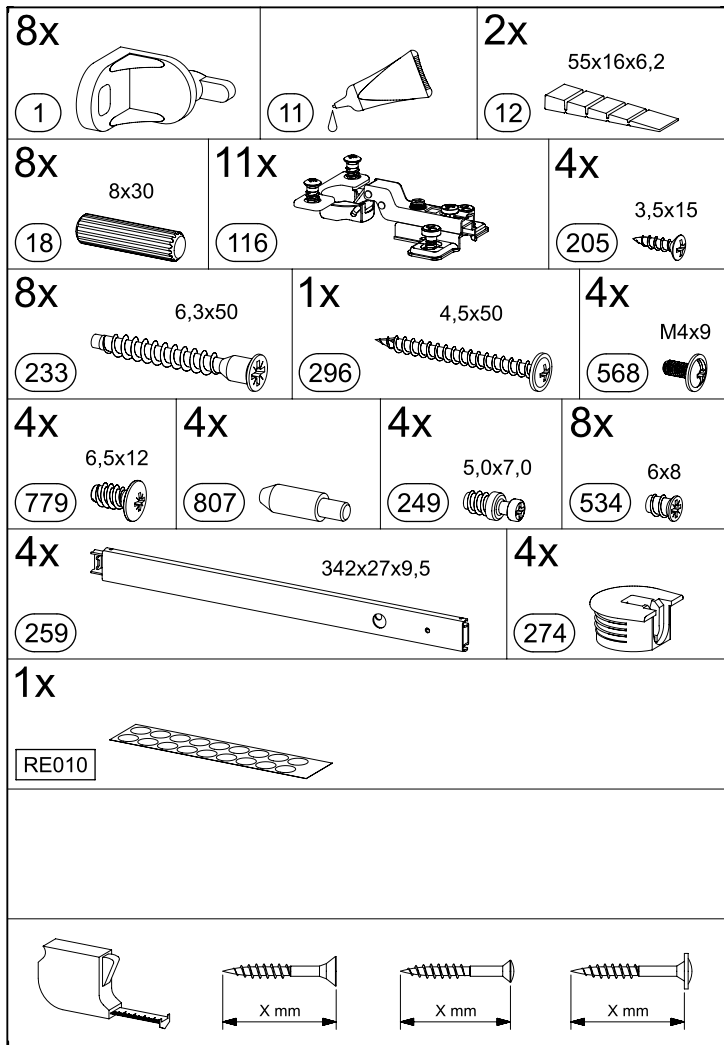
M2920



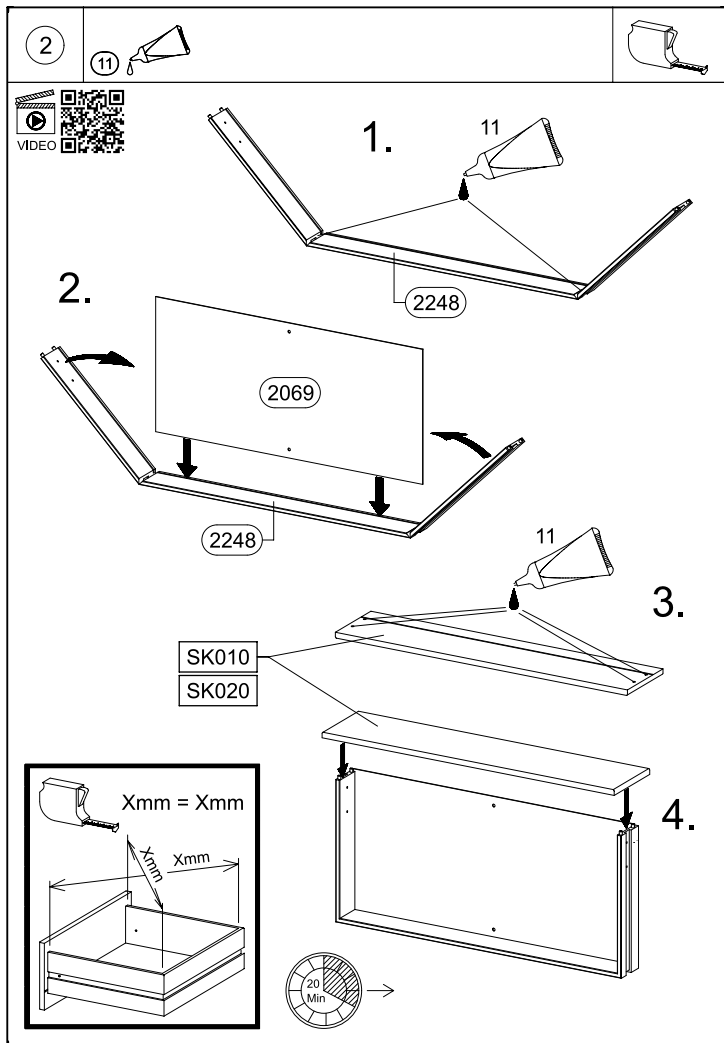
SK010 = SK020

M2920

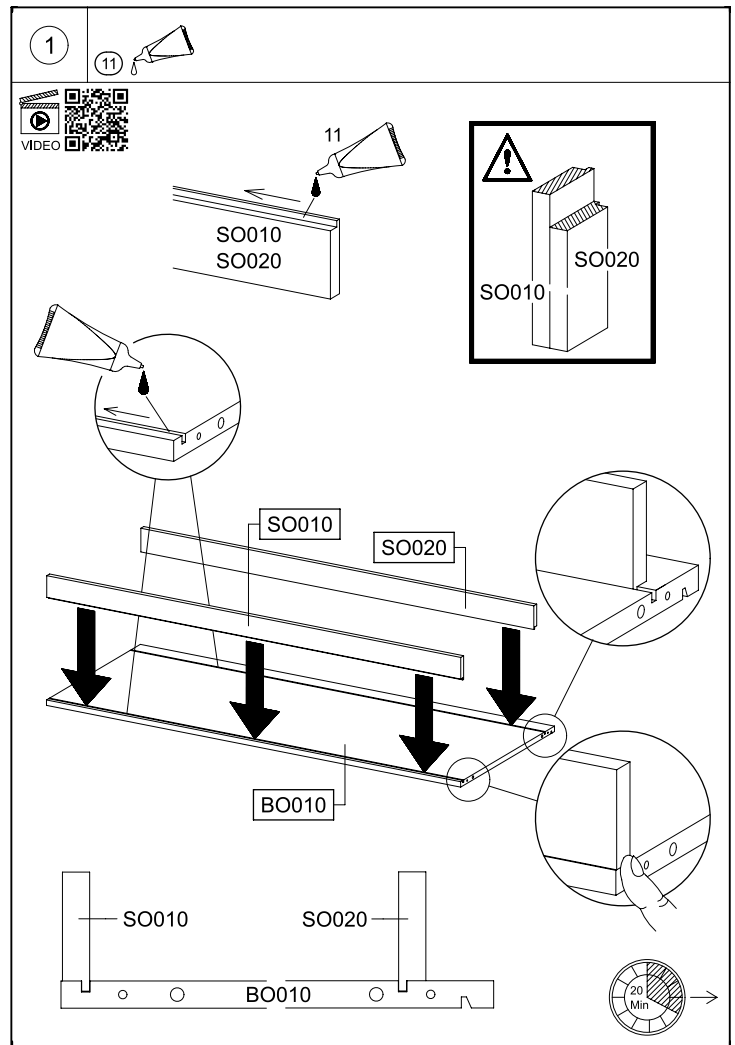
M2920



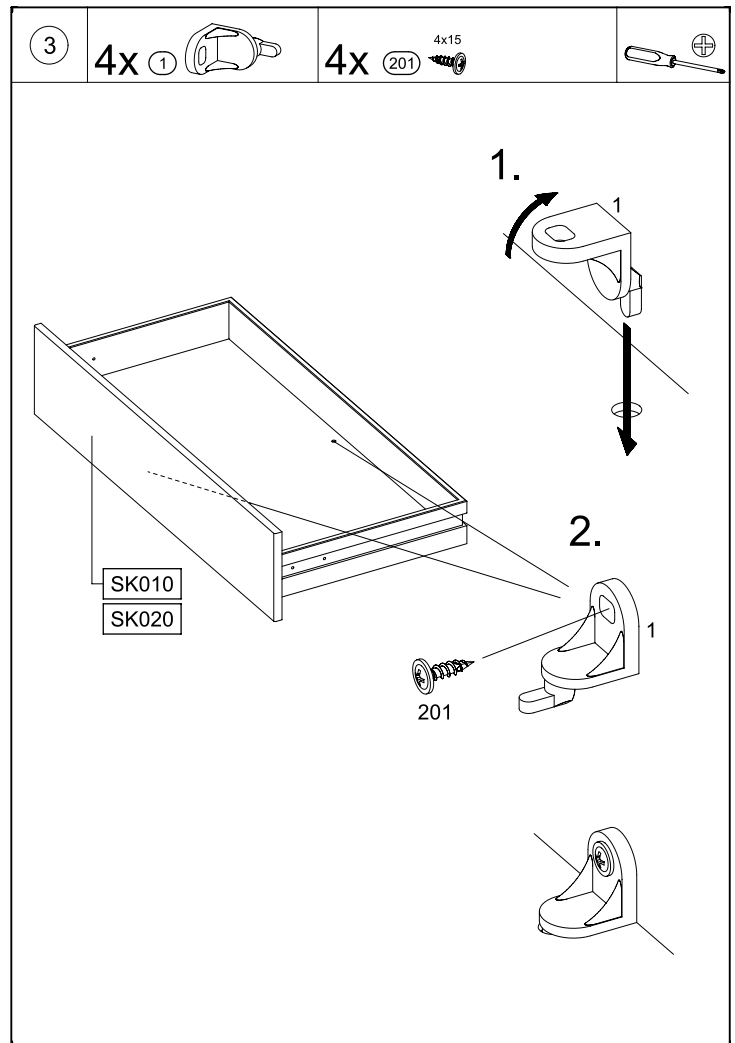
M2920



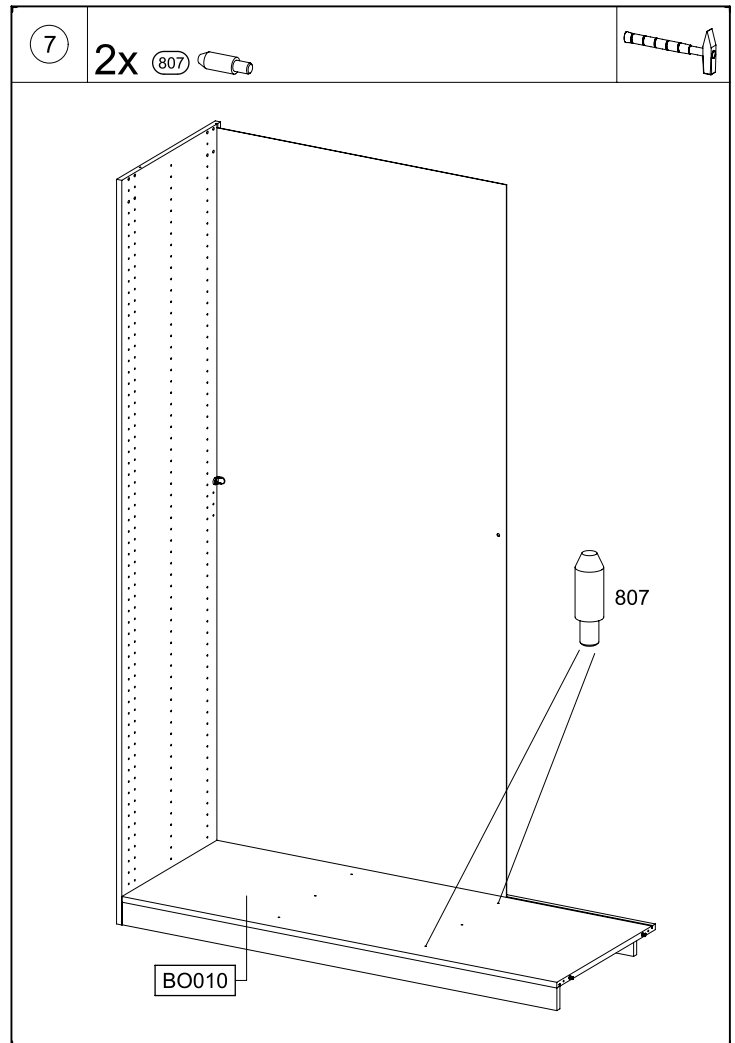
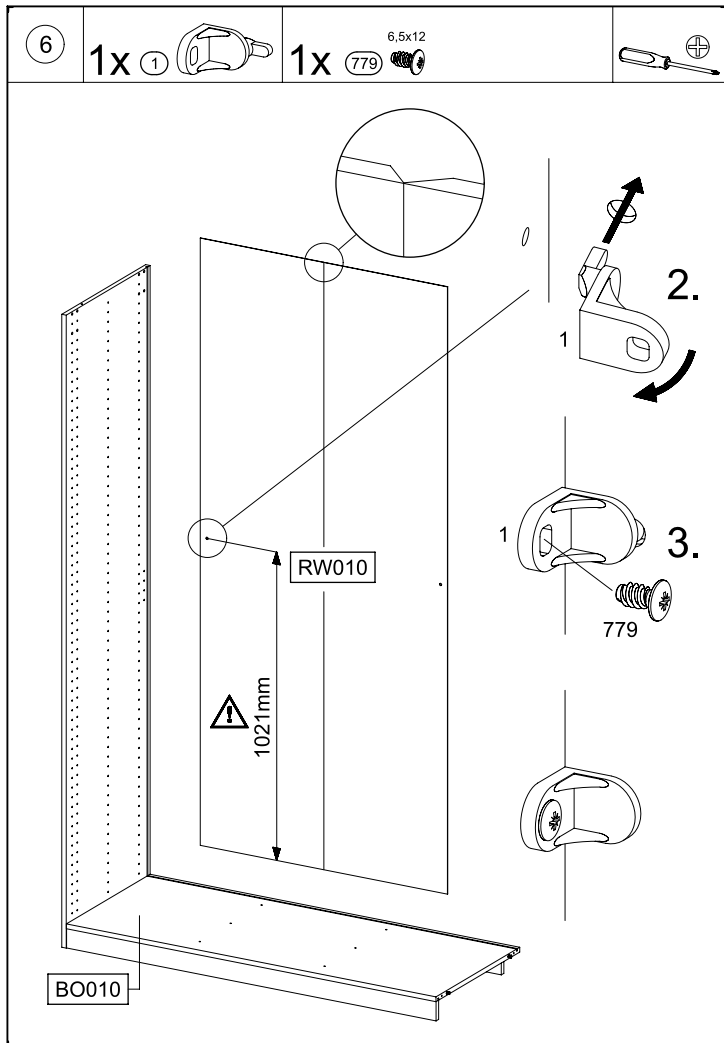
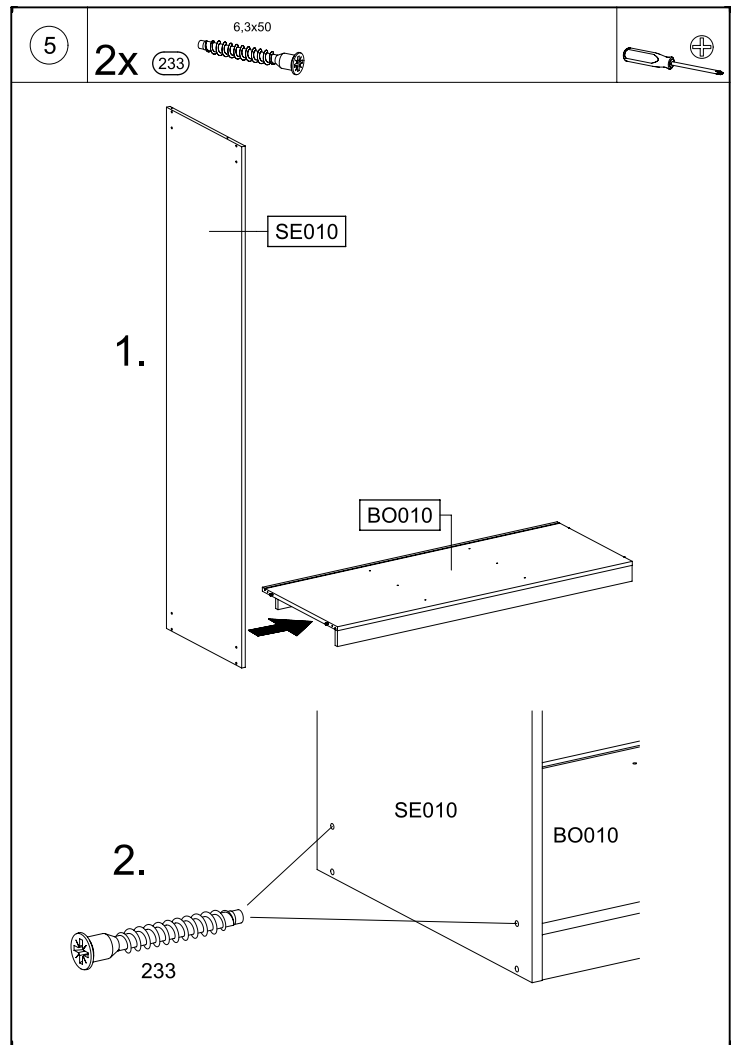
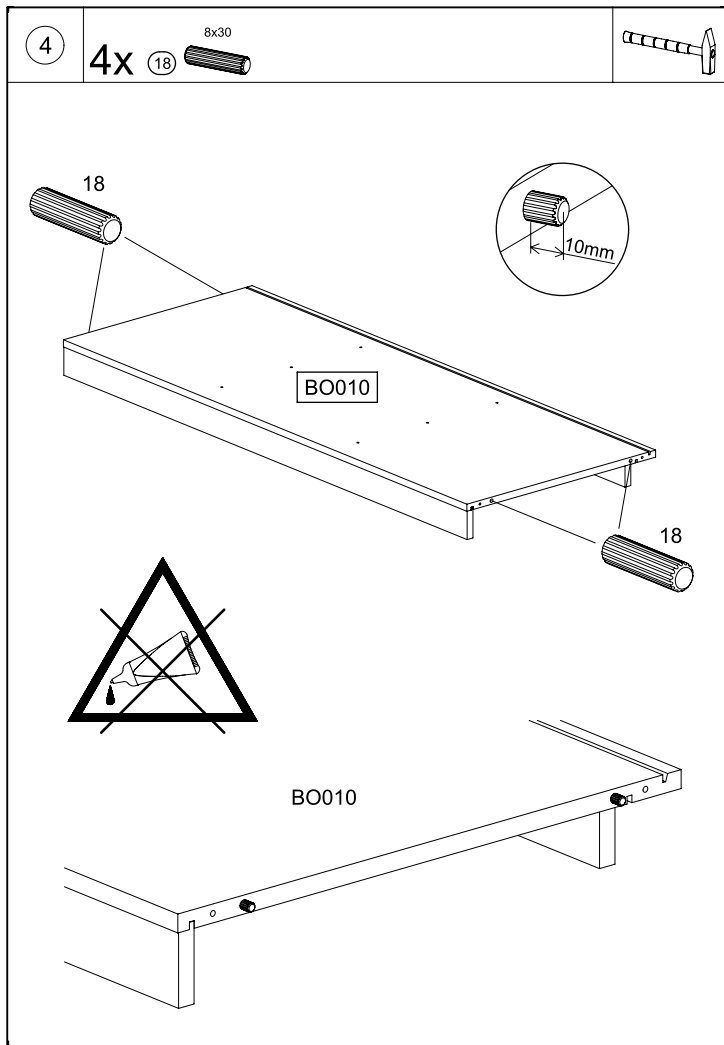
M2920

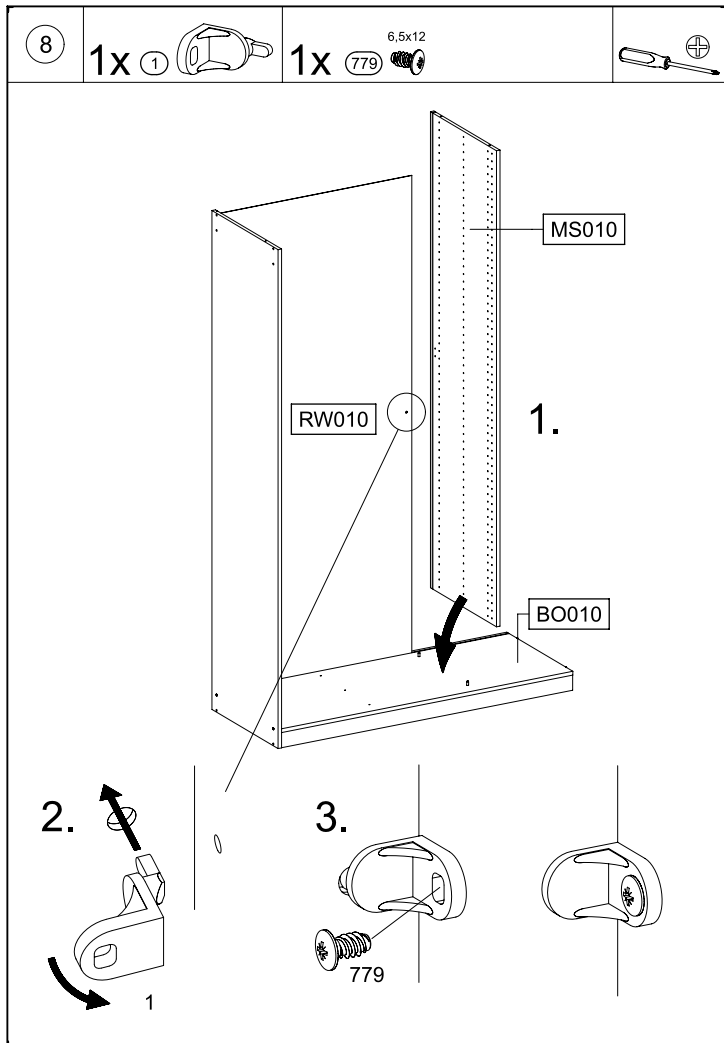


M2920

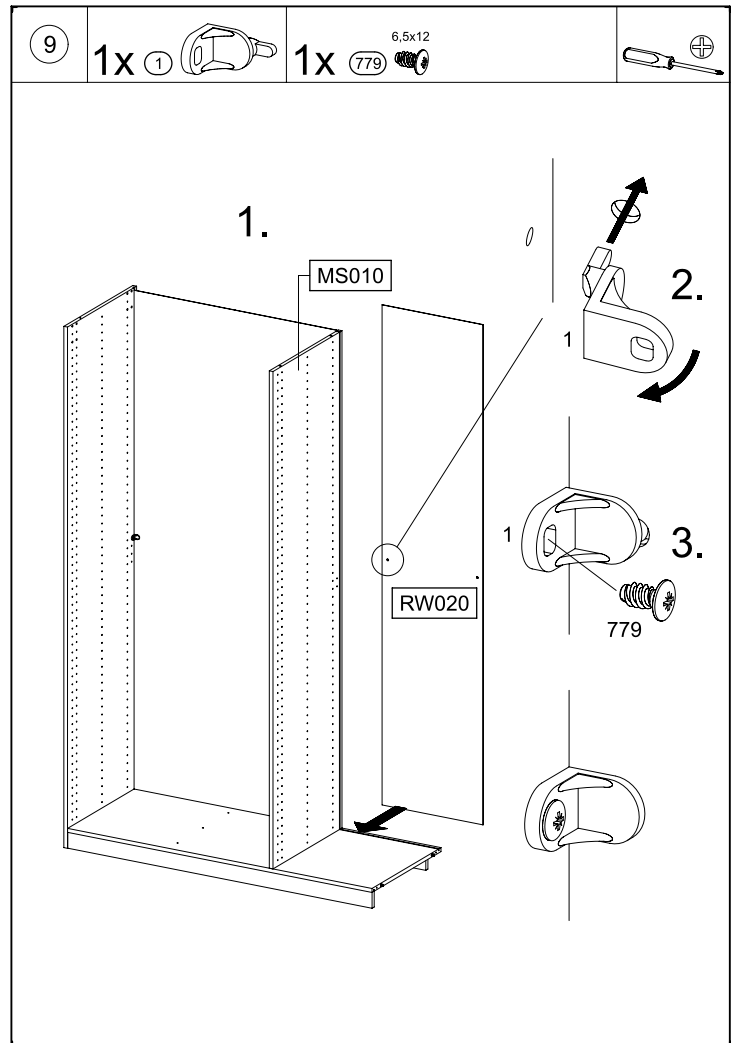


M2920

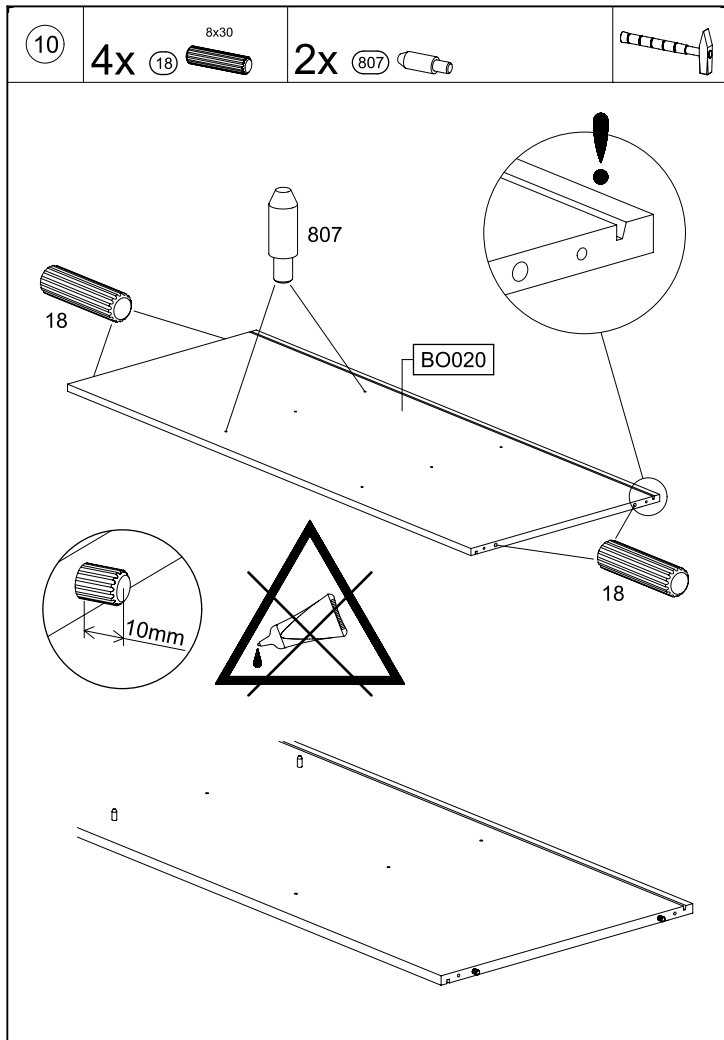




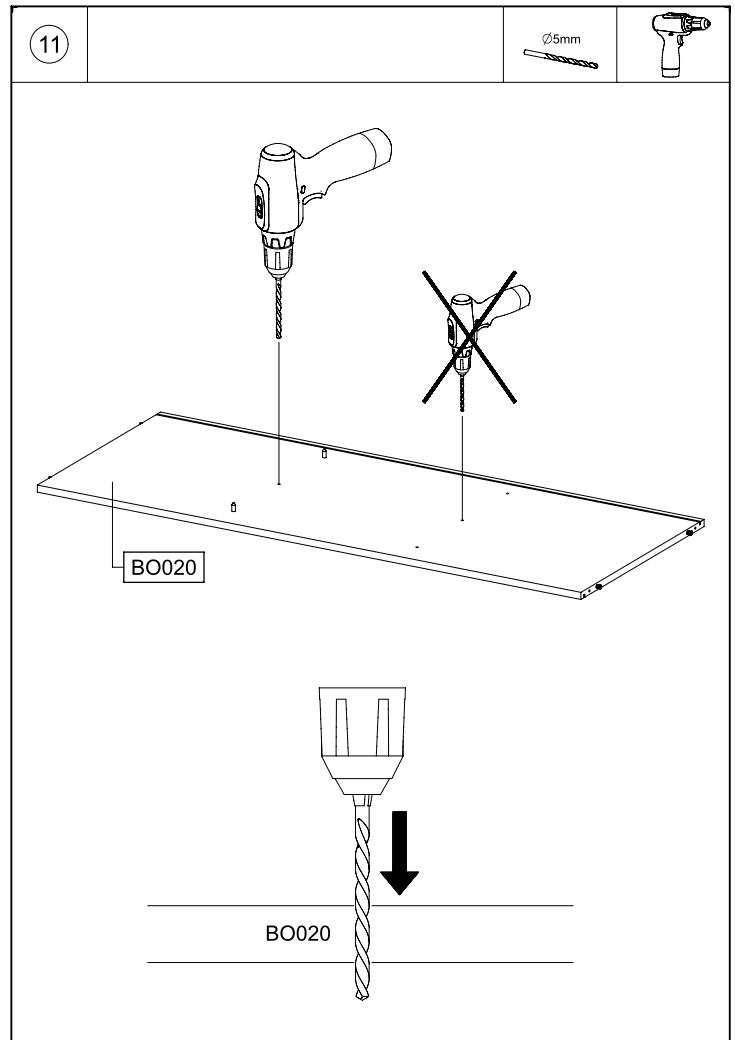
M2920



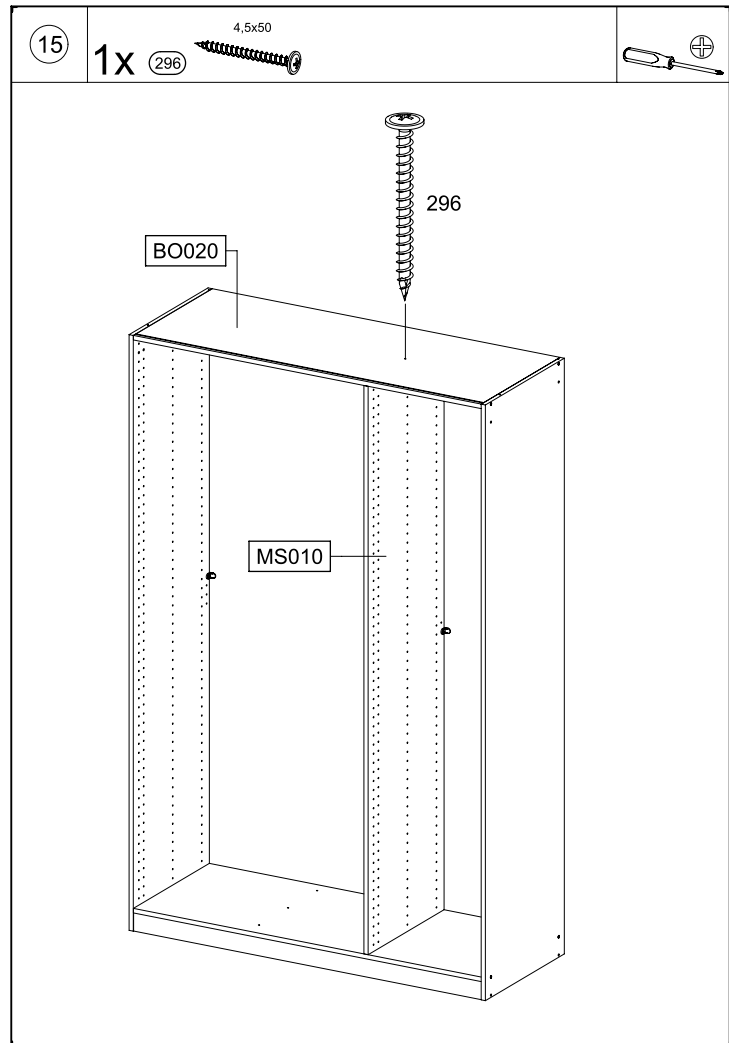
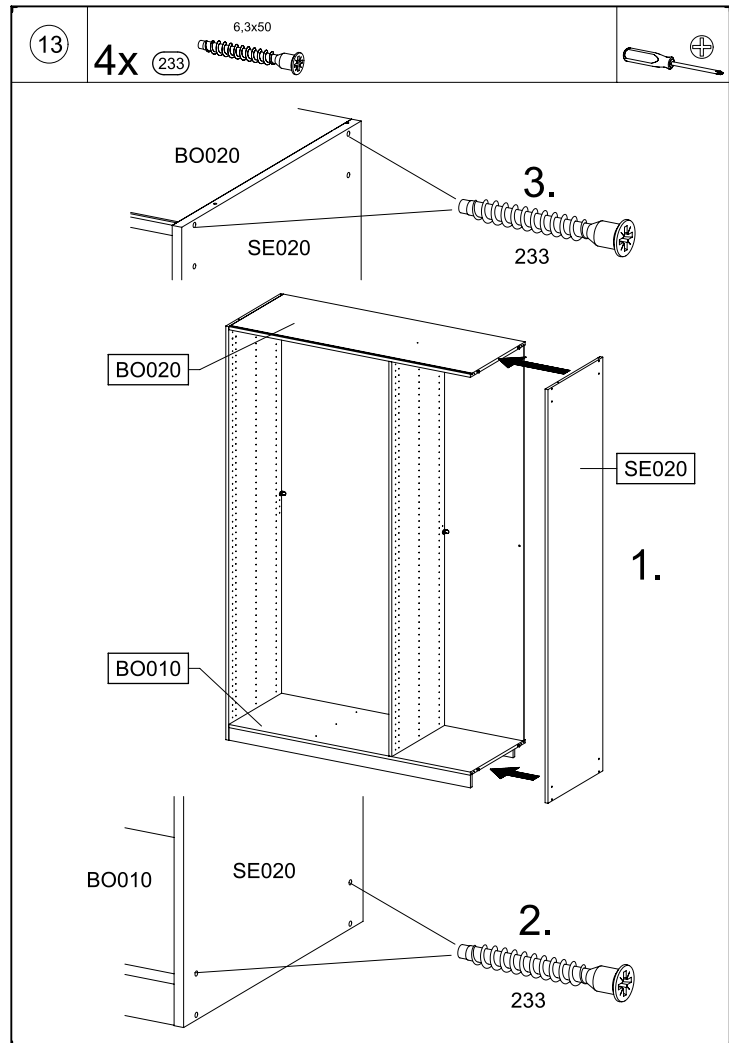
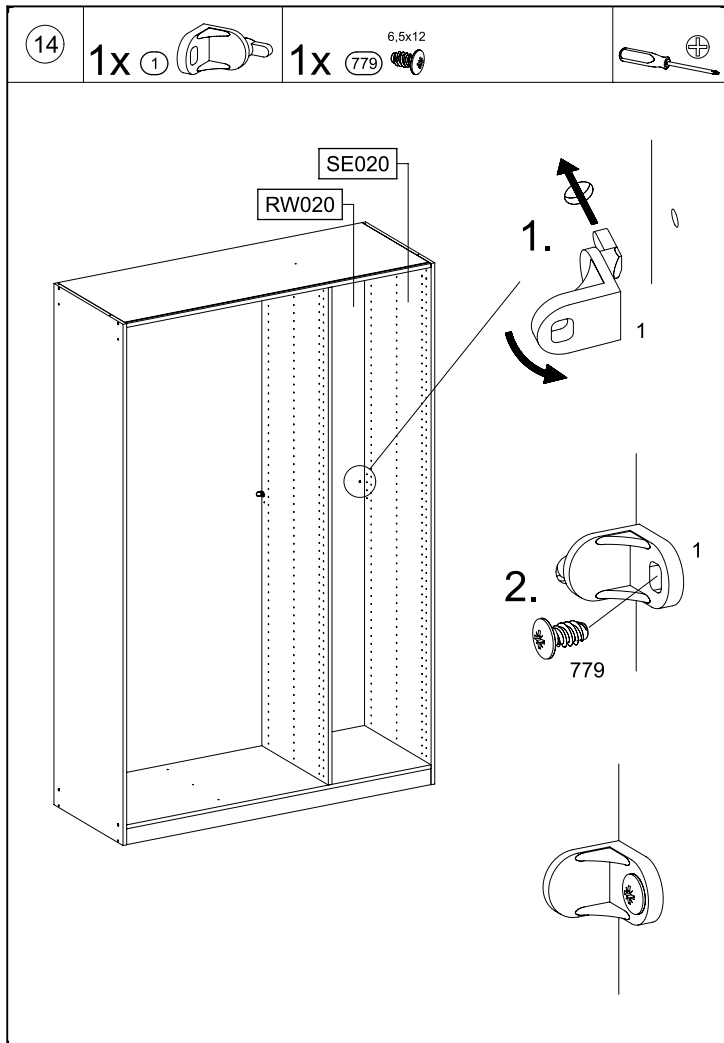
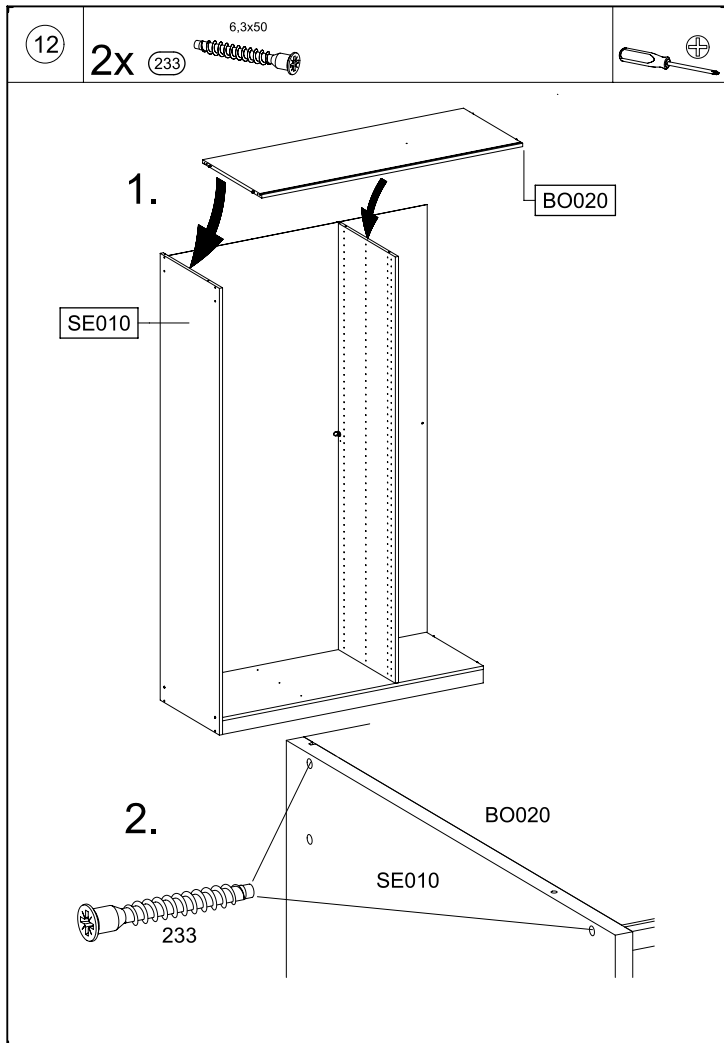
M2920

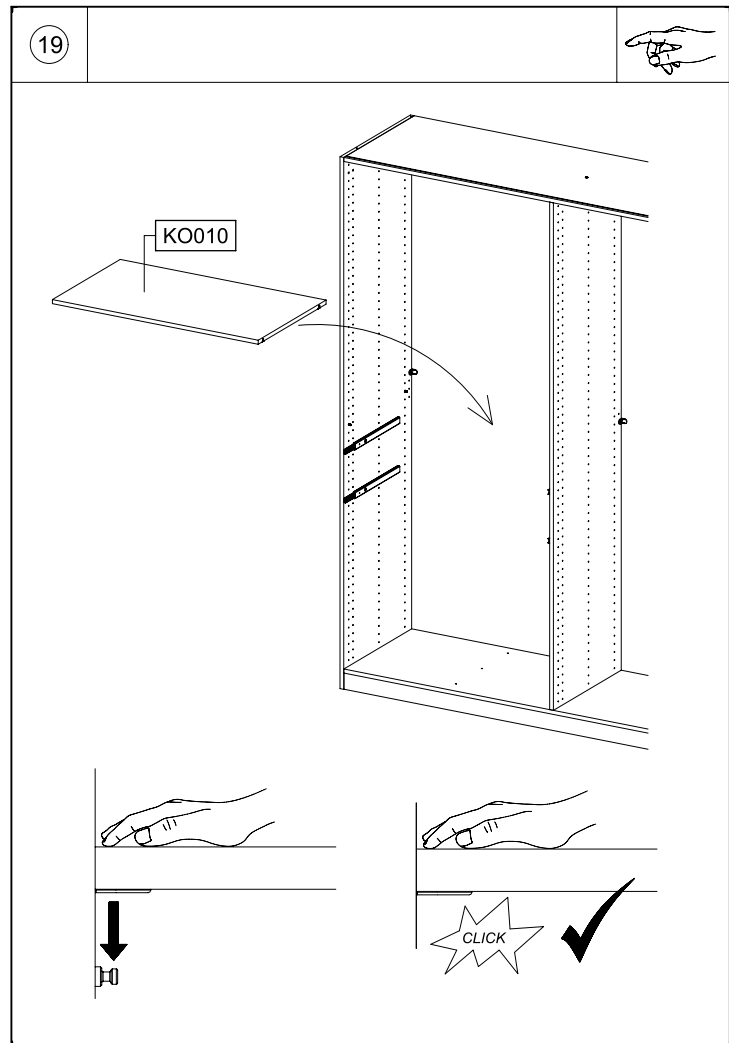
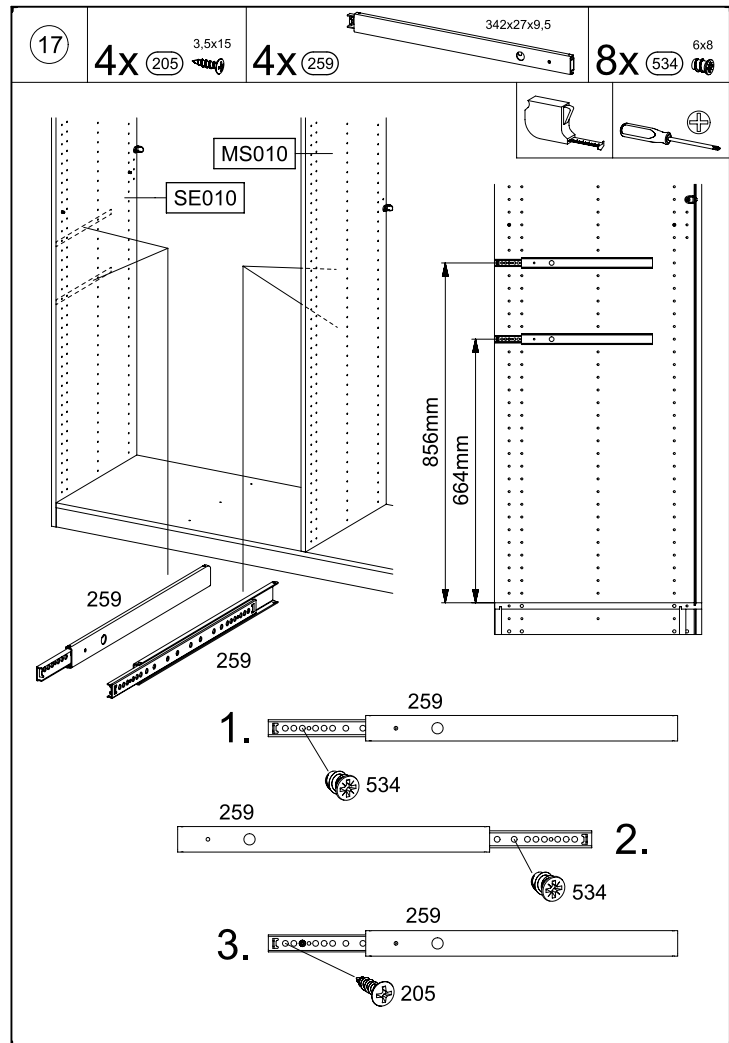
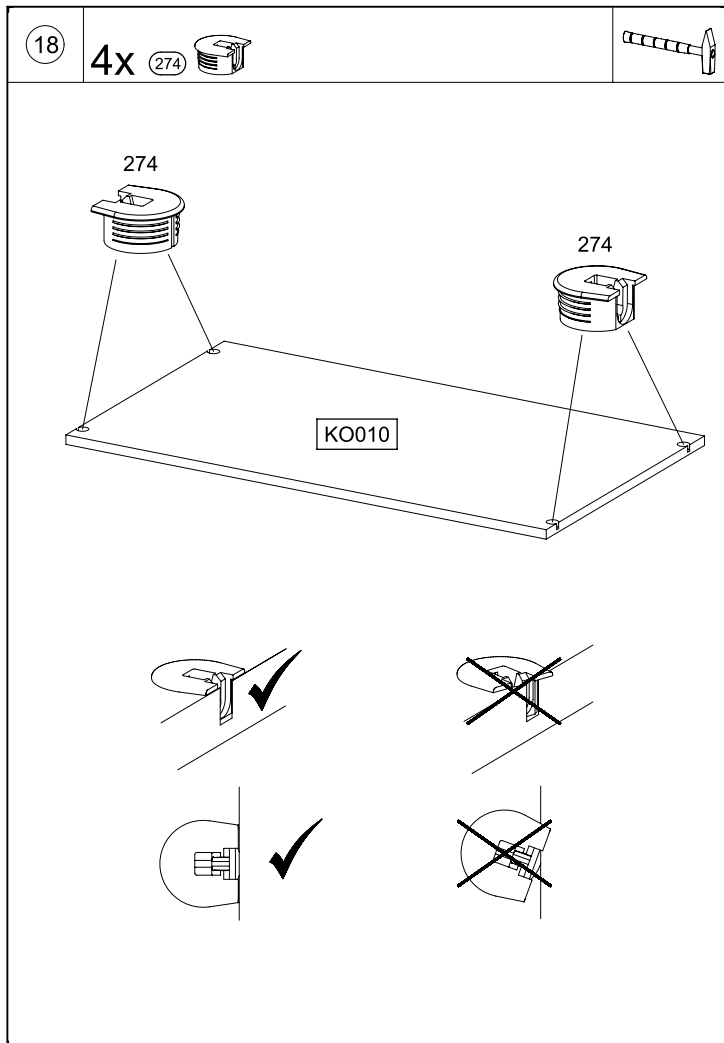
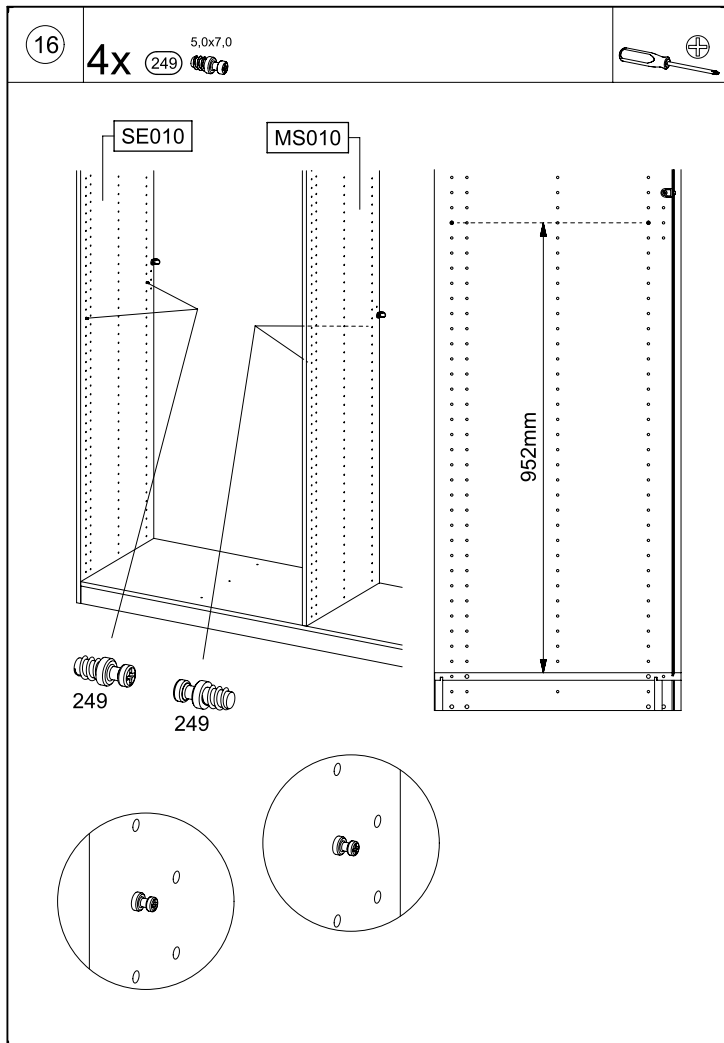


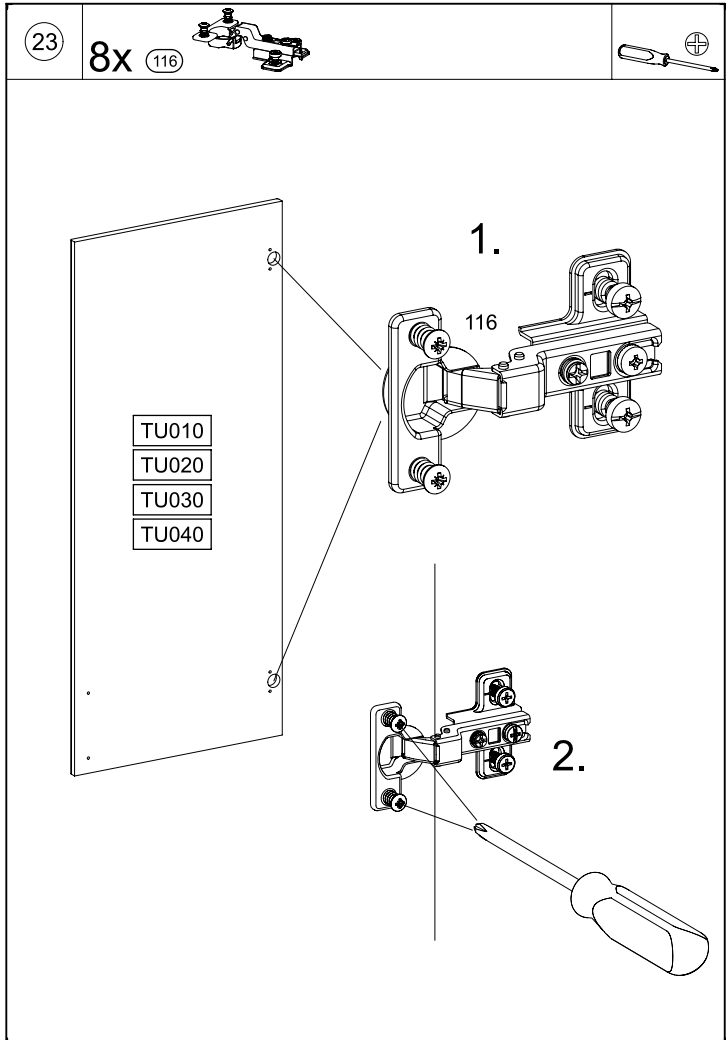
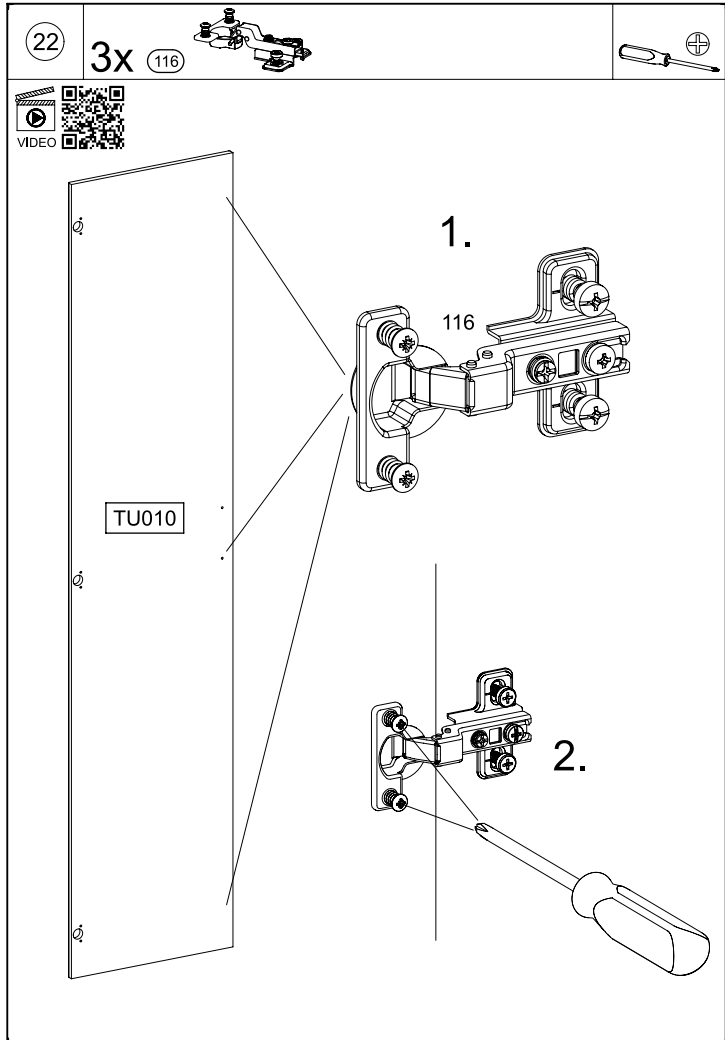
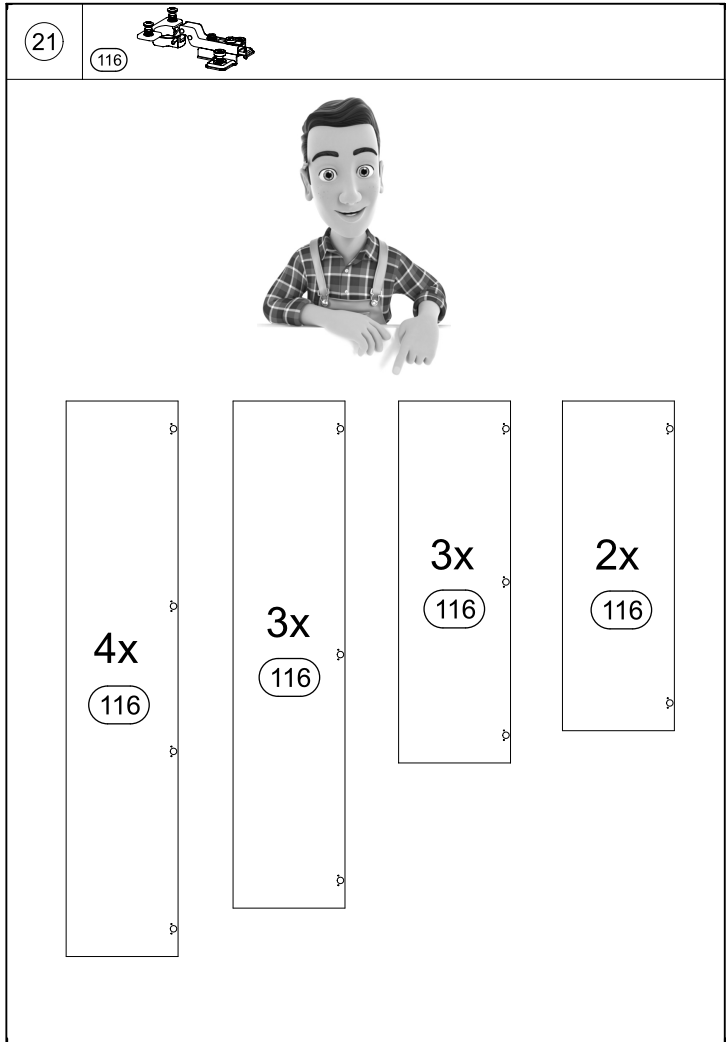
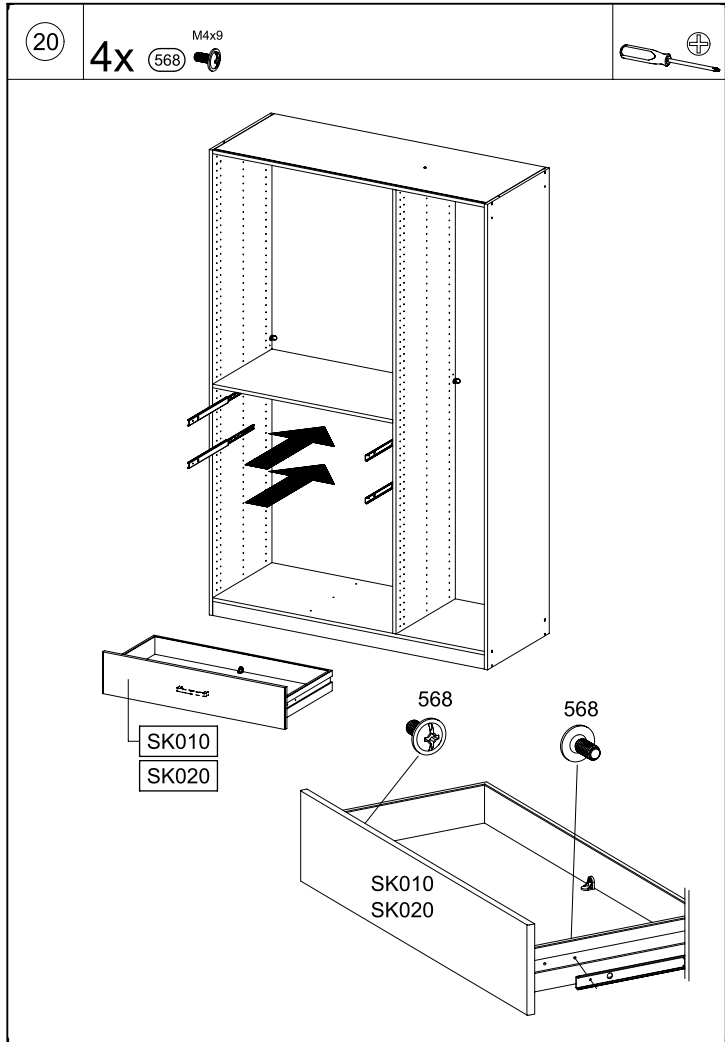
M2920

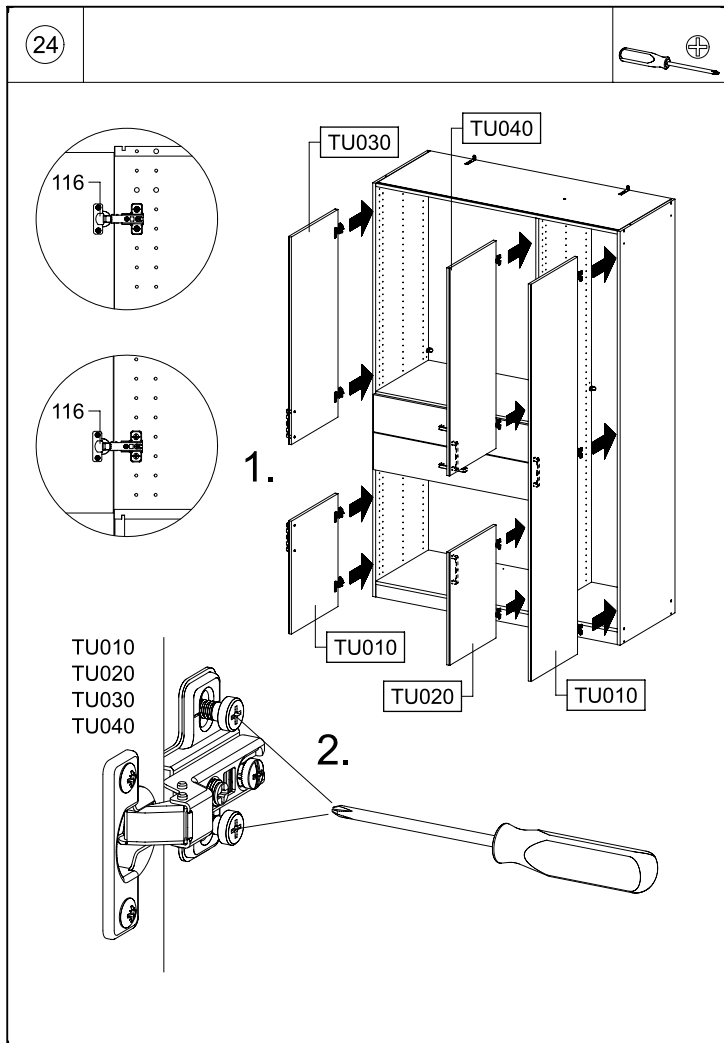


M2920



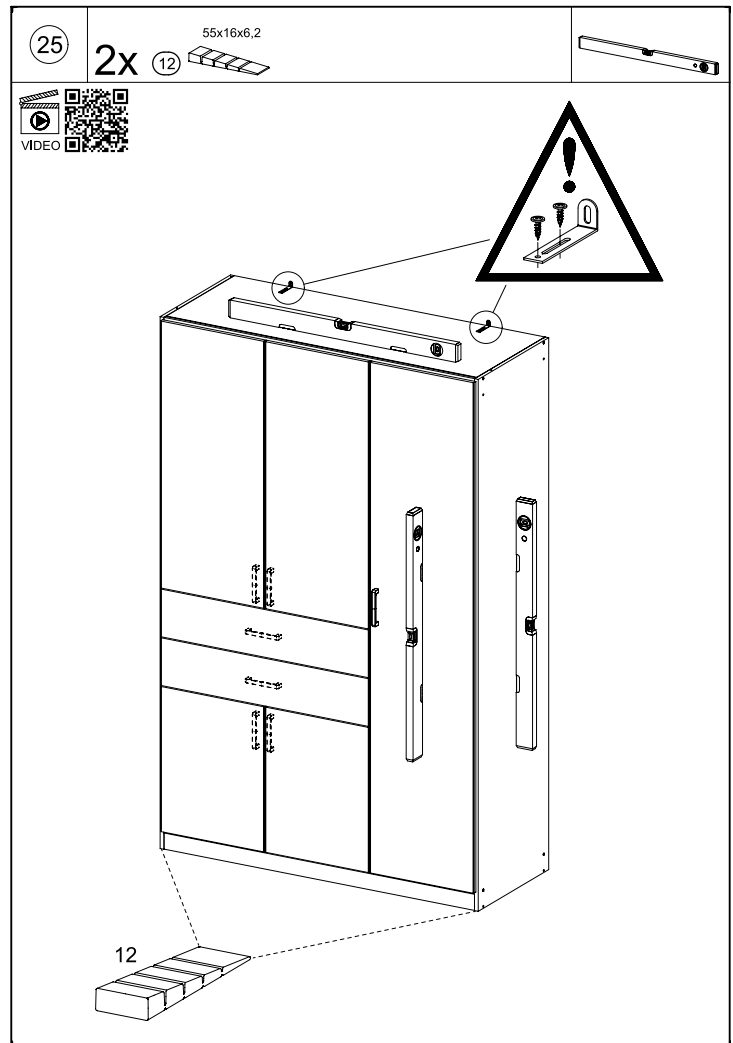






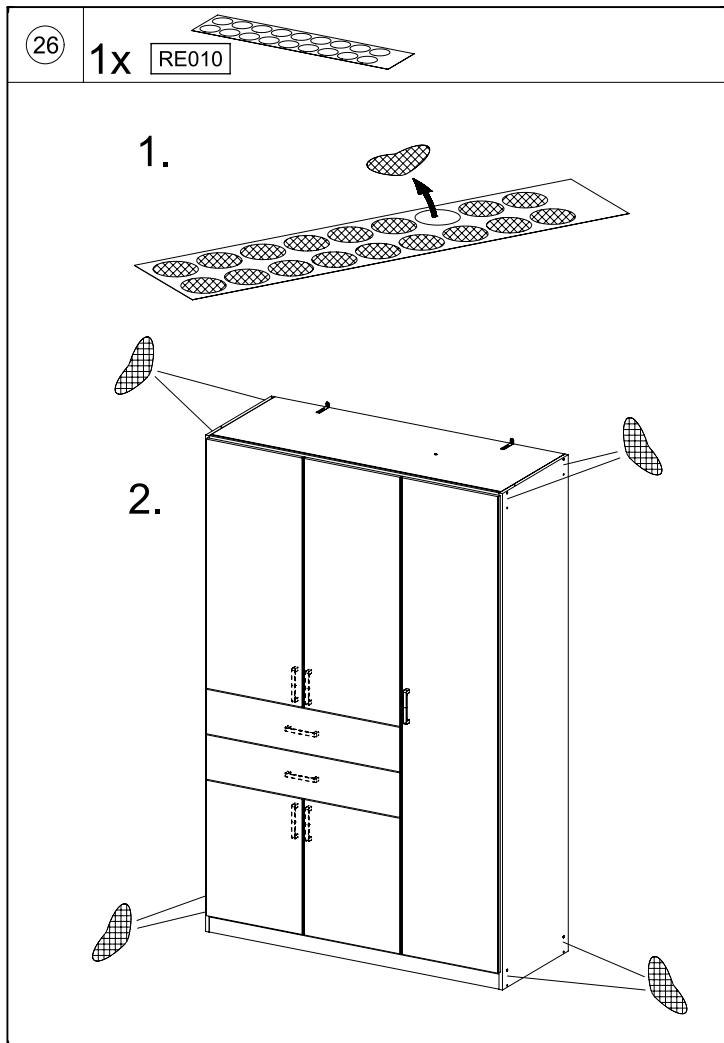
M2920

31.

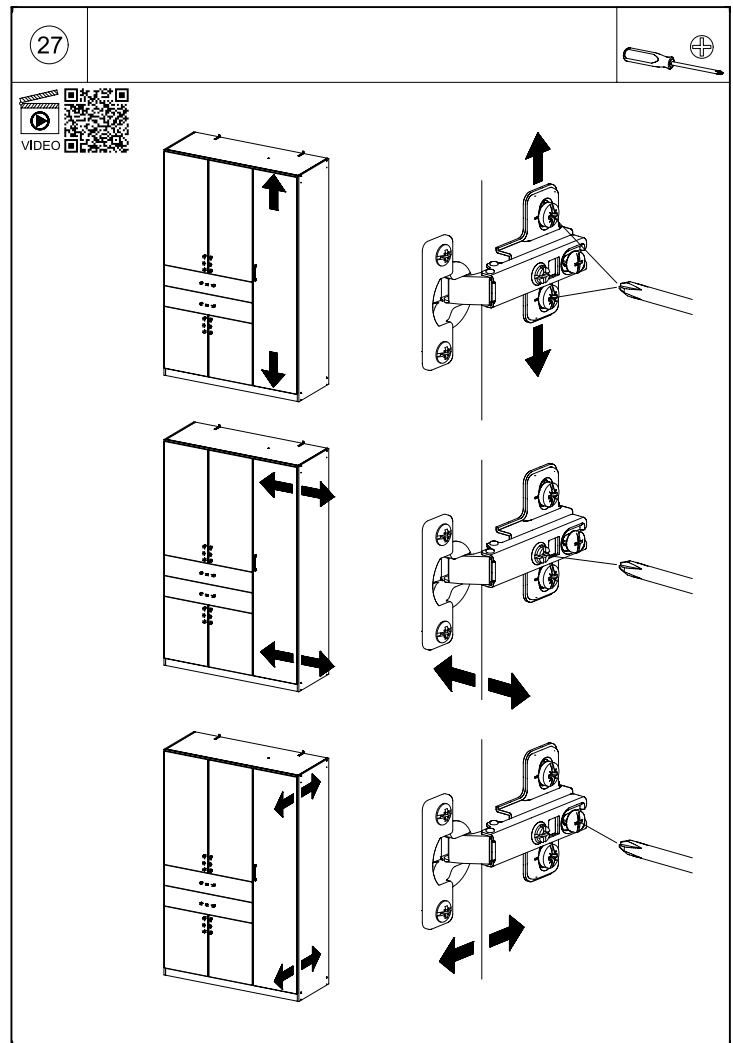


M2920

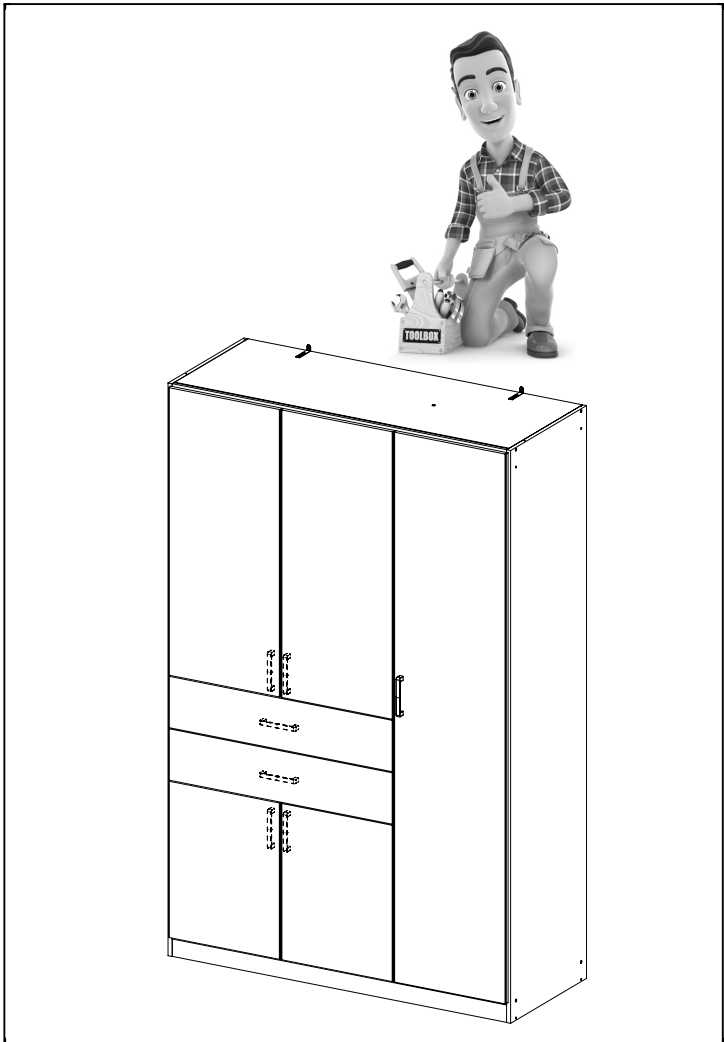
32.



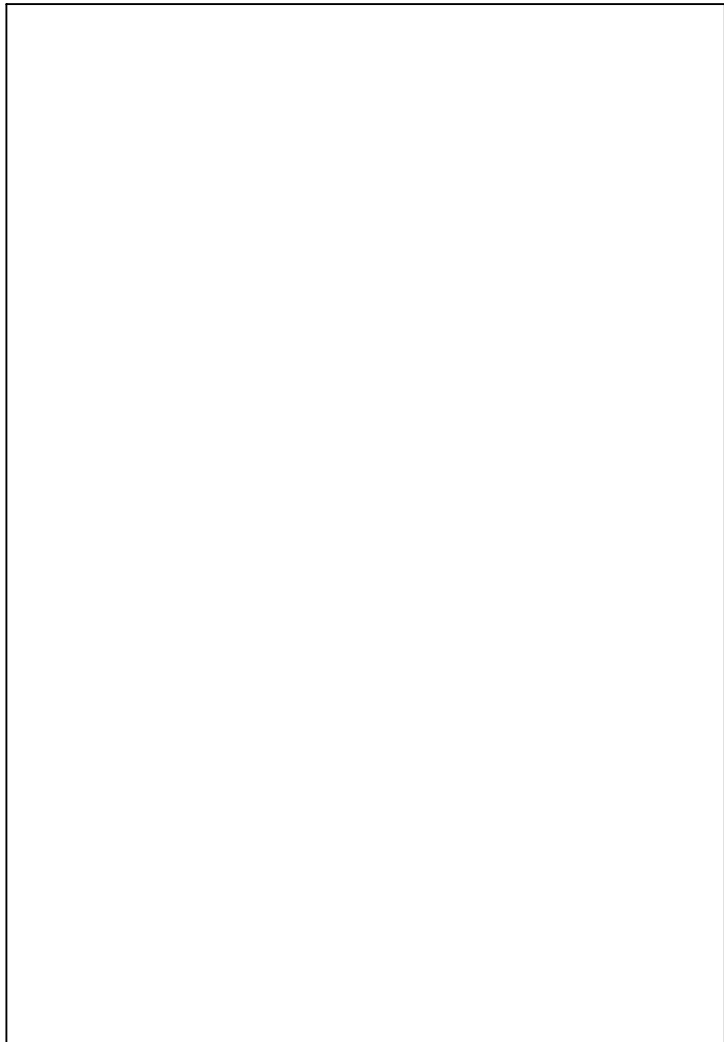
M2920



M2920



M2820



M2820