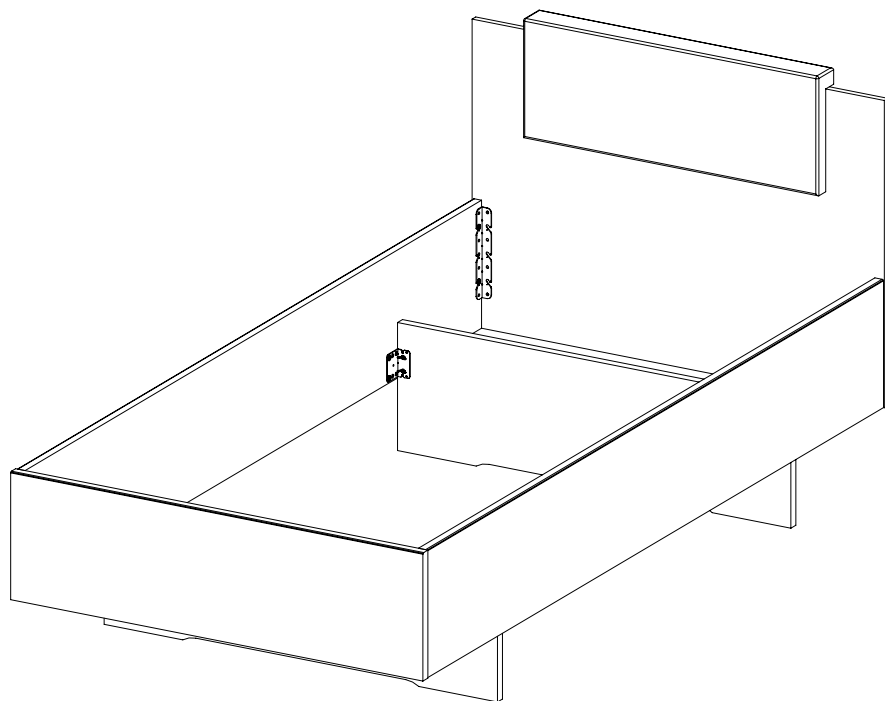
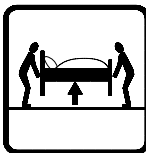
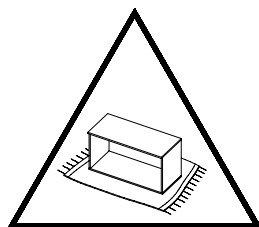
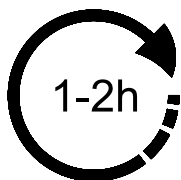
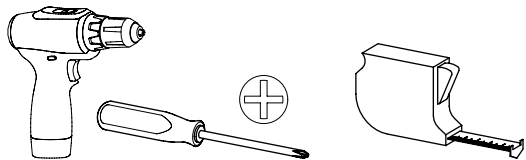
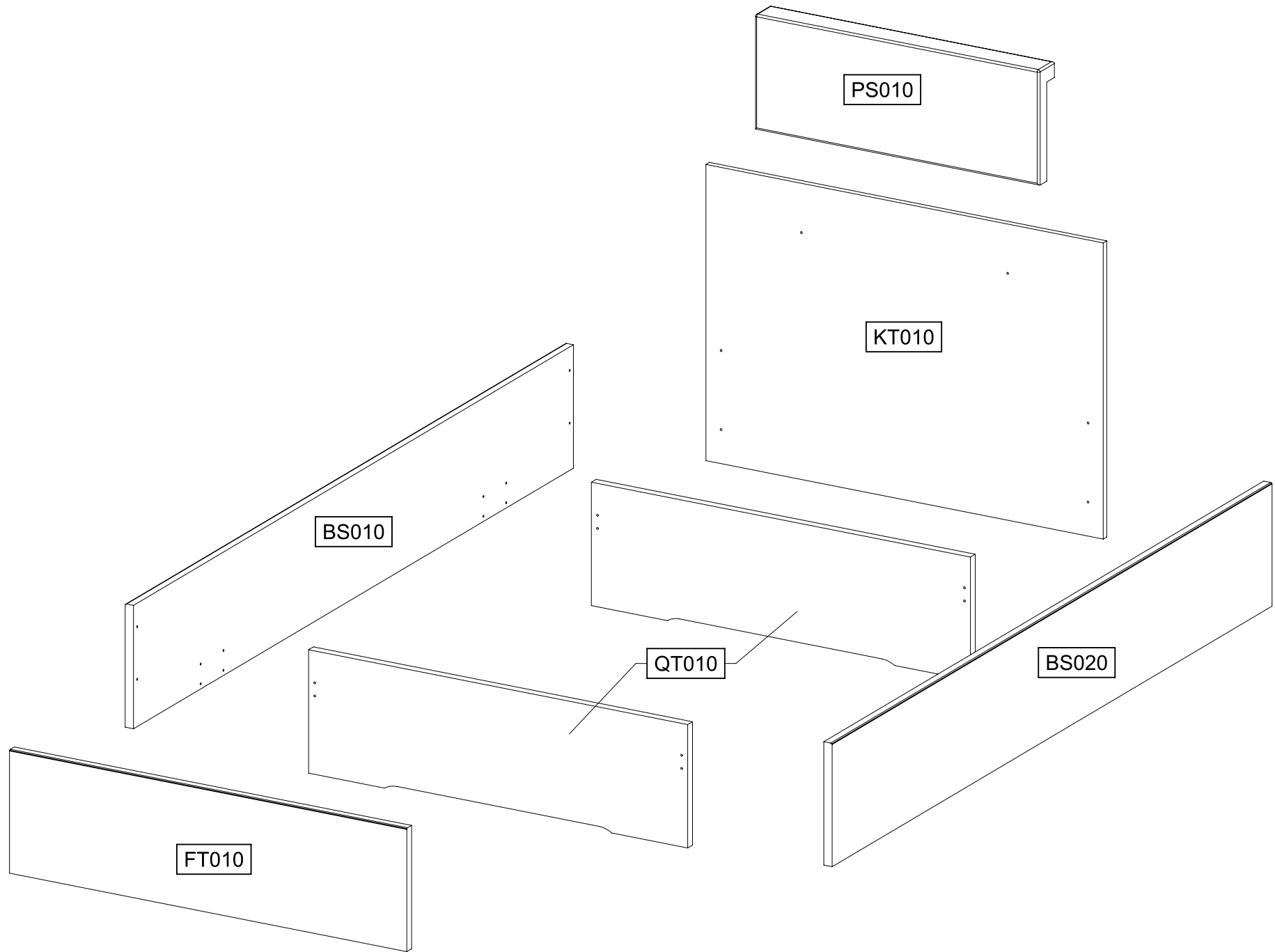
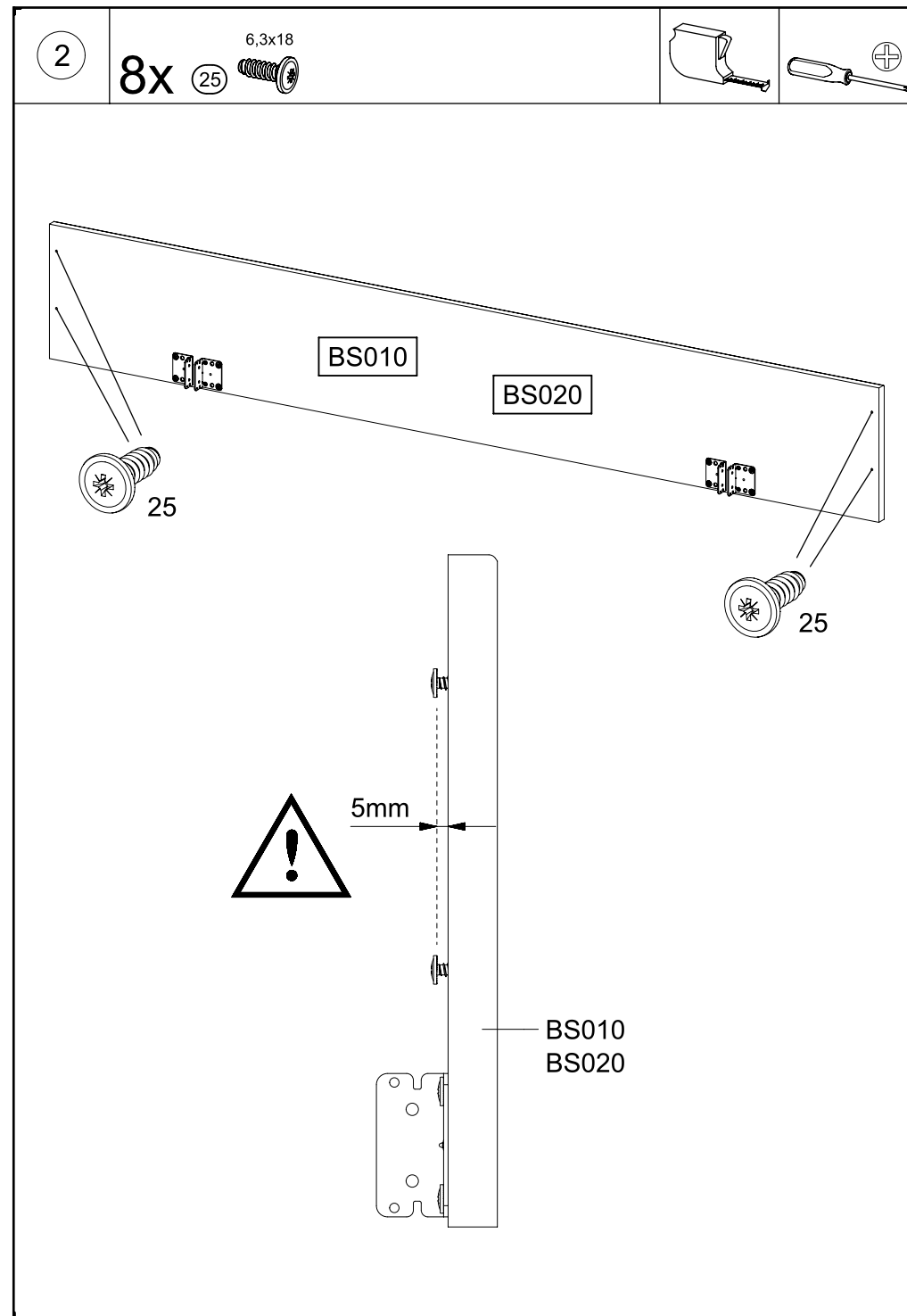
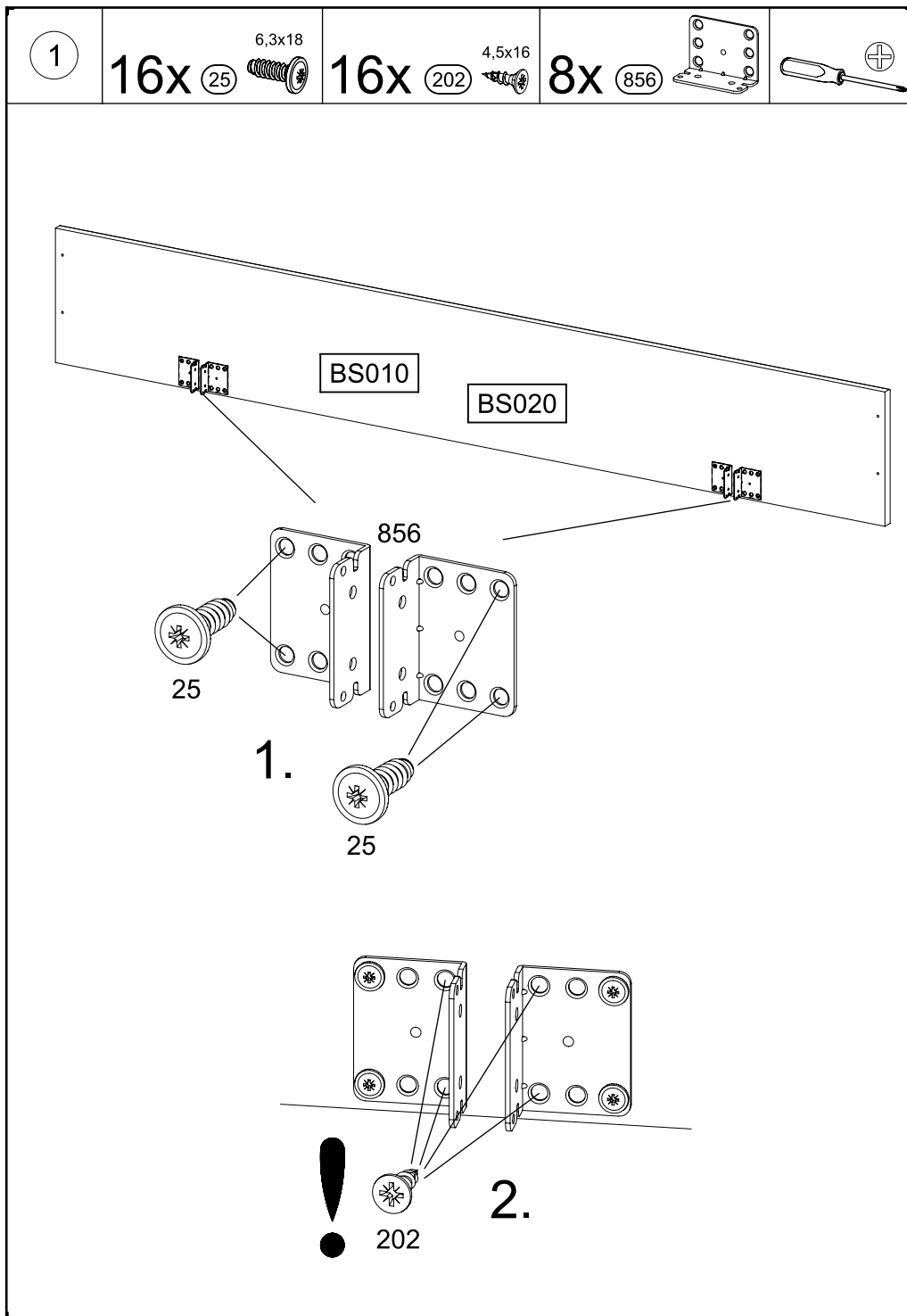


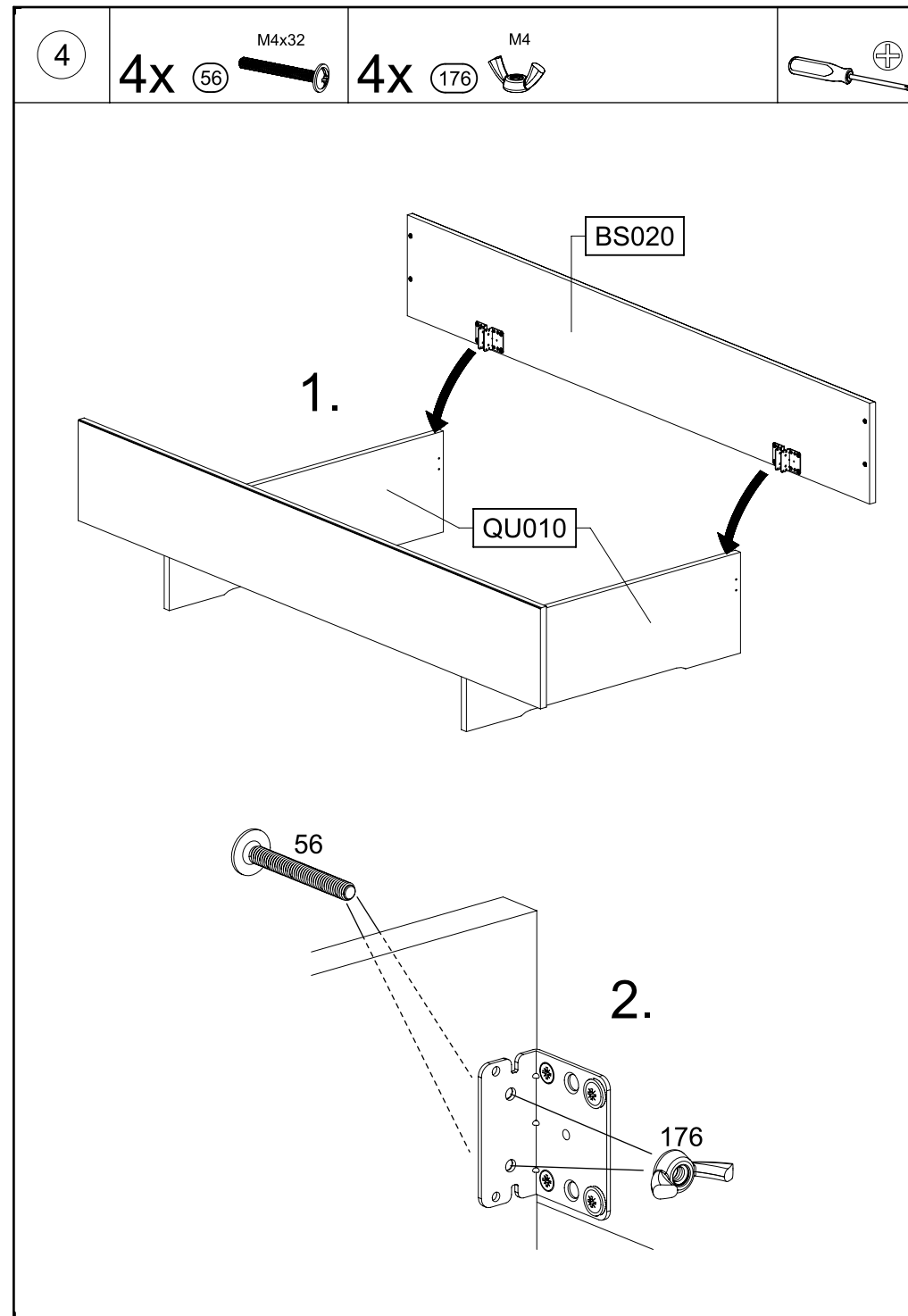
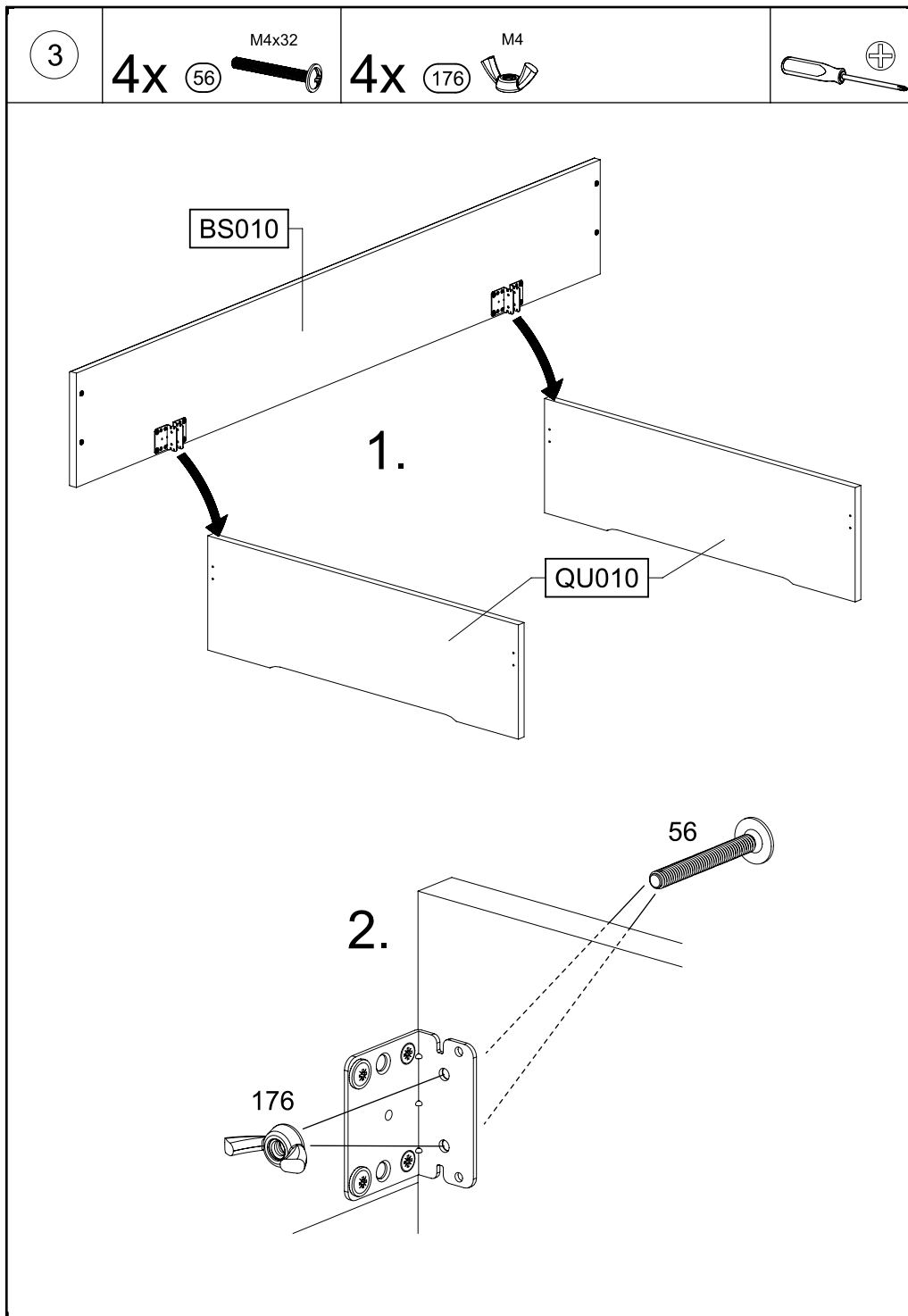
M2912_02

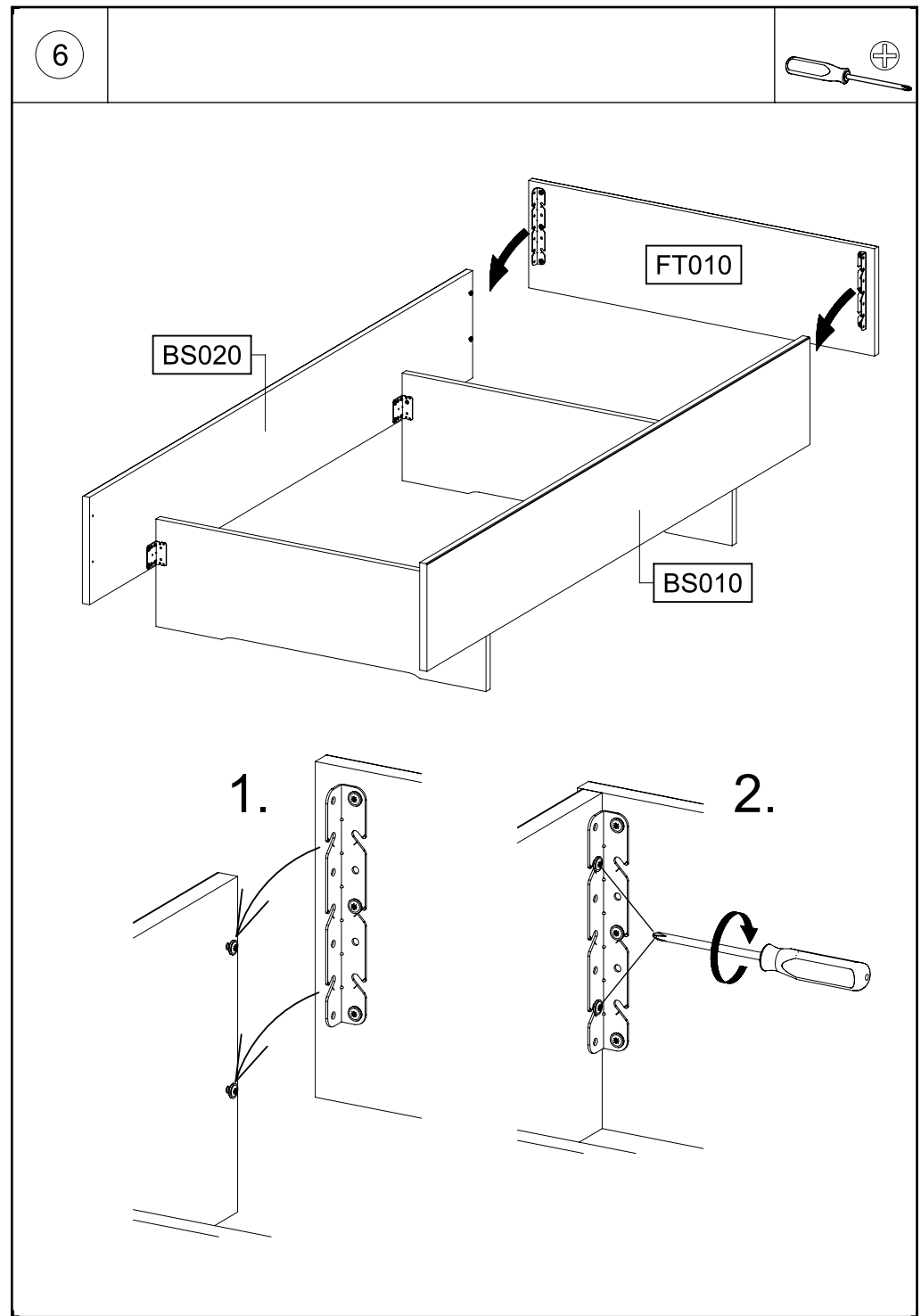
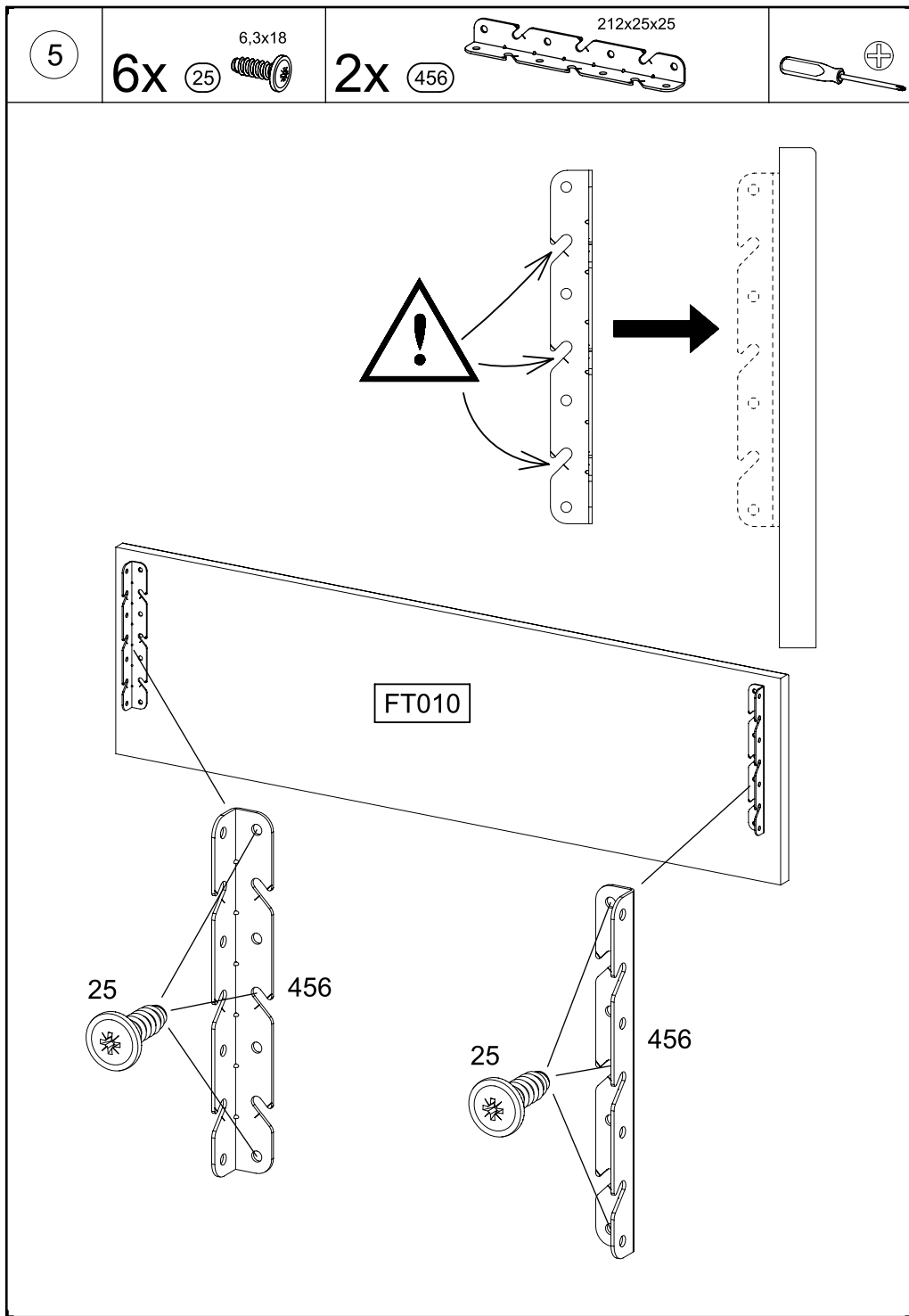


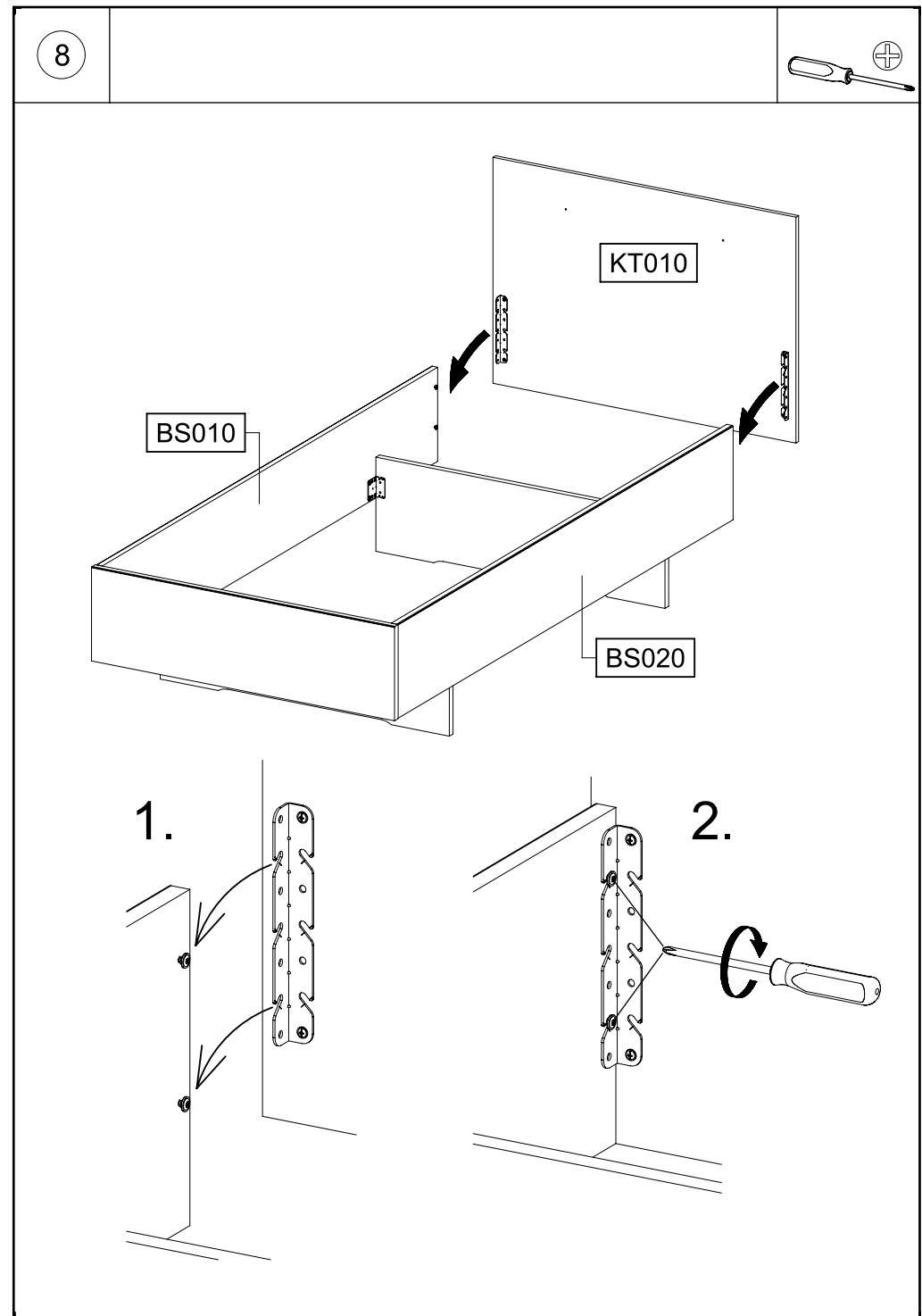
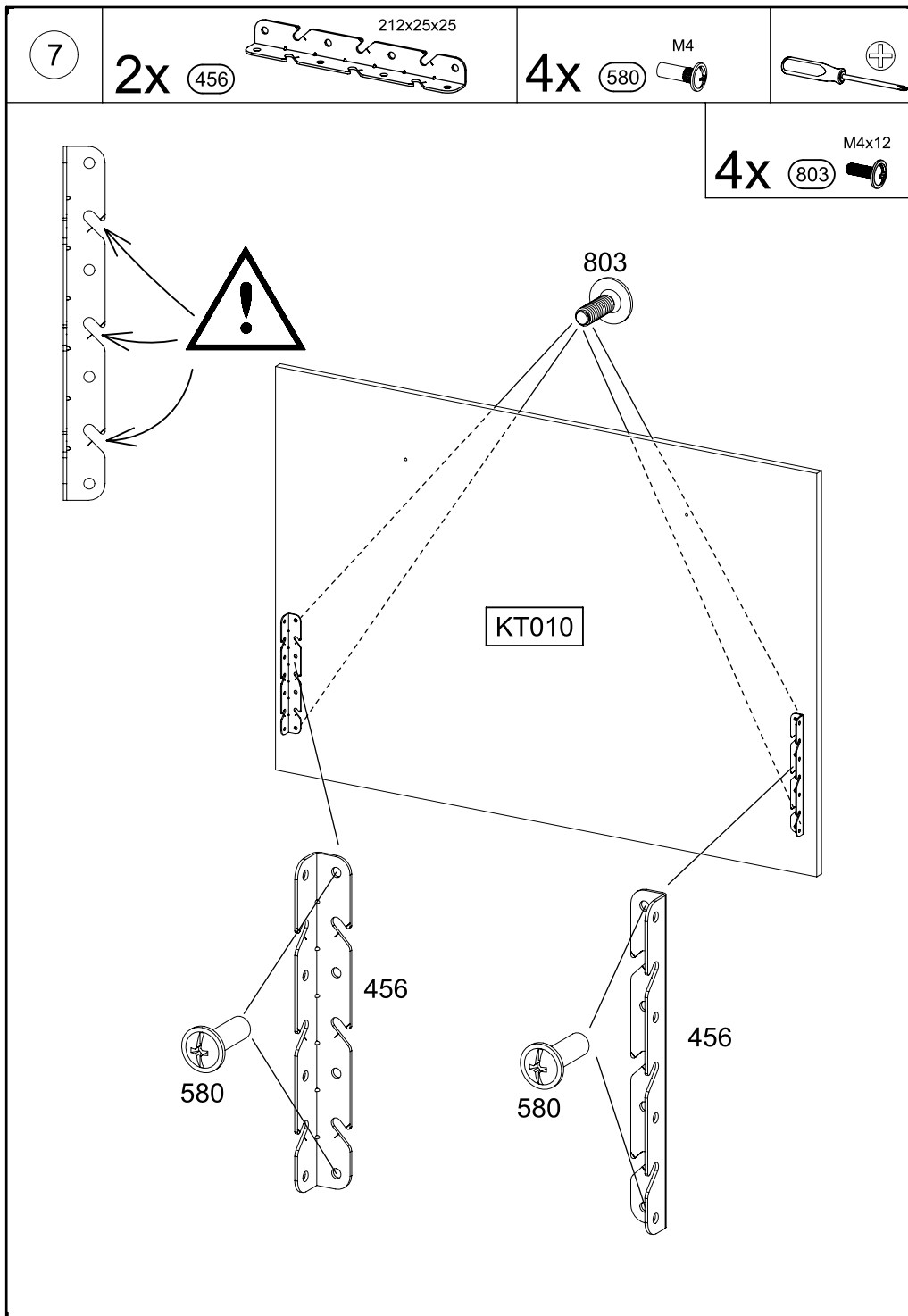
<p>30x 6,3x18 (25) </p>	<p>28x 4,5x16 (202) </p>	<p>4x M4 (580) </p>
<p>4x M4x12 (803) </p>	<p>8x M4 (176) </p>	<p>8x M4x32 (56) </p>
<p>2x 4,5x35 (214) </p>	<p>8x (856) </p>	
<p>4x (456) </p>		









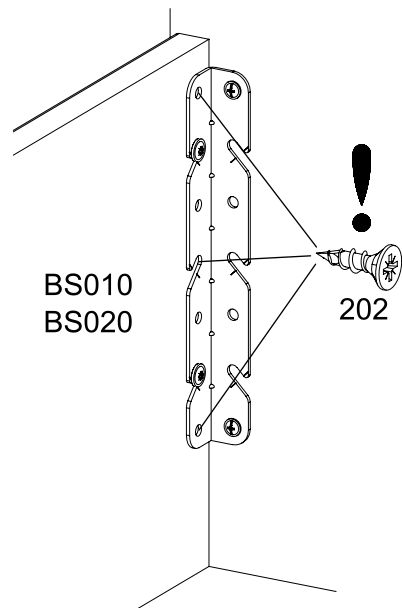
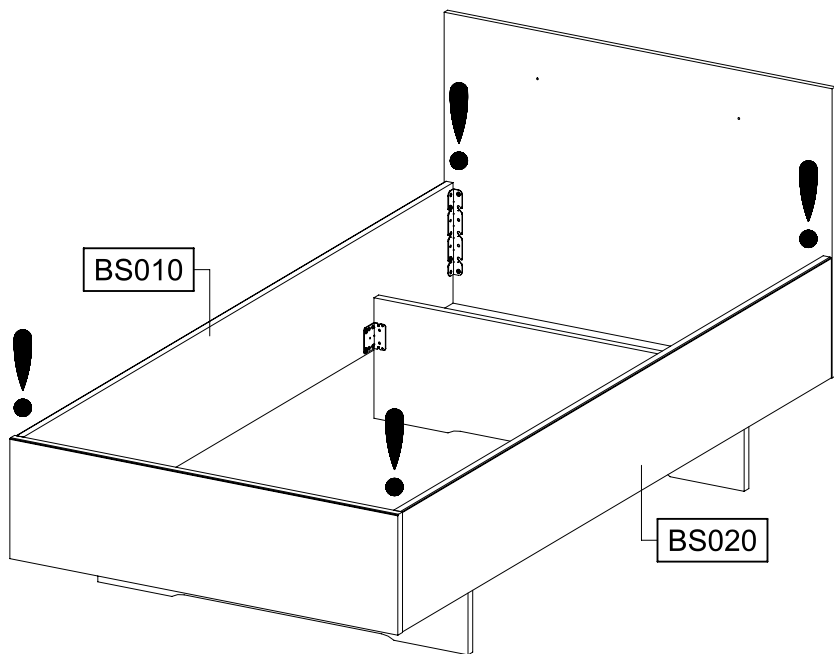
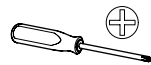


9

12x

202

4,5x16

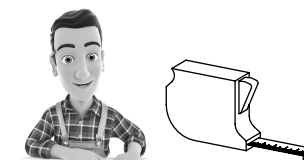
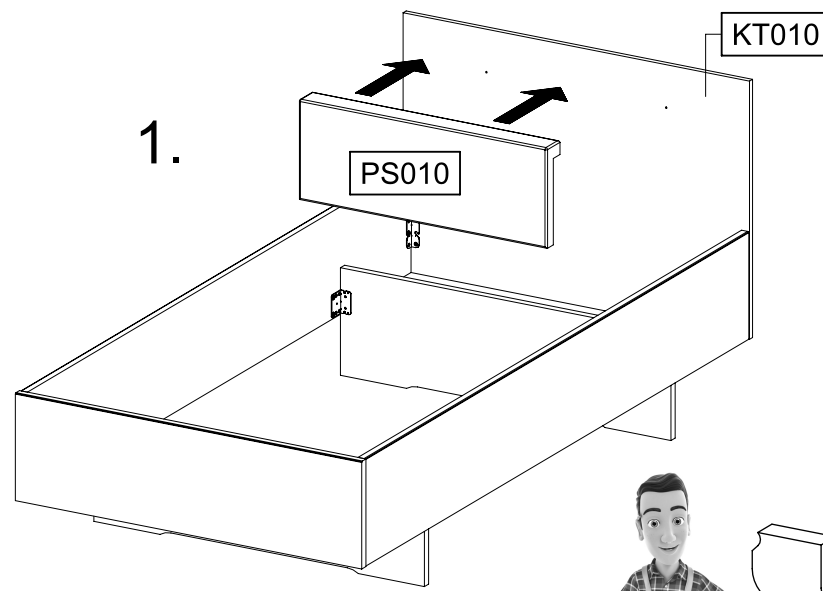
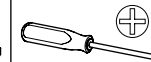
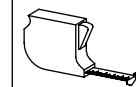
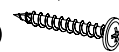


10

2x

214

4,5x35



Xmm = Xmm

