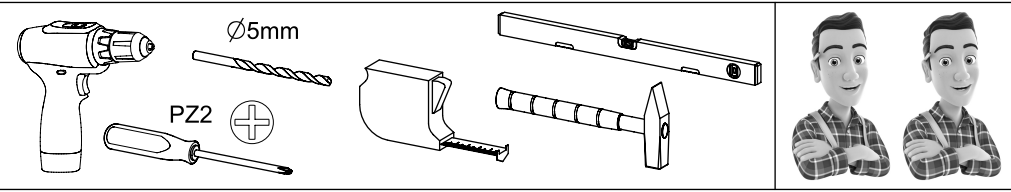
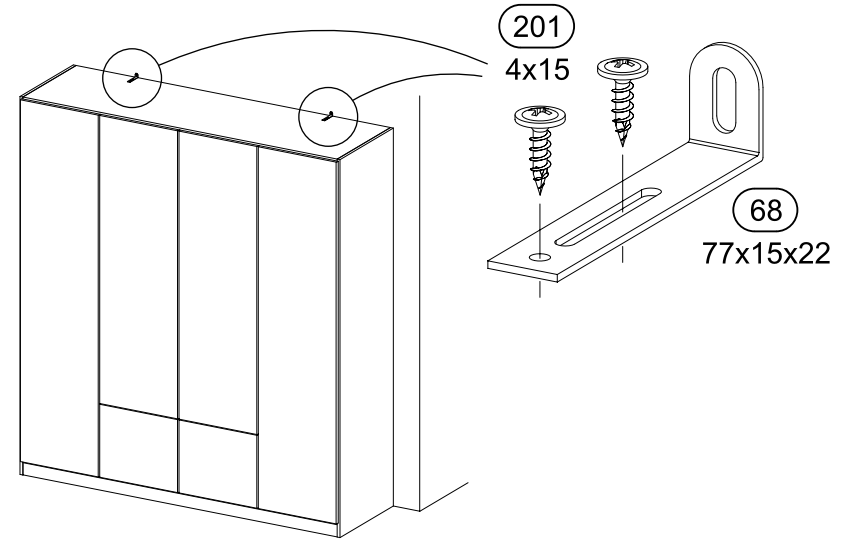
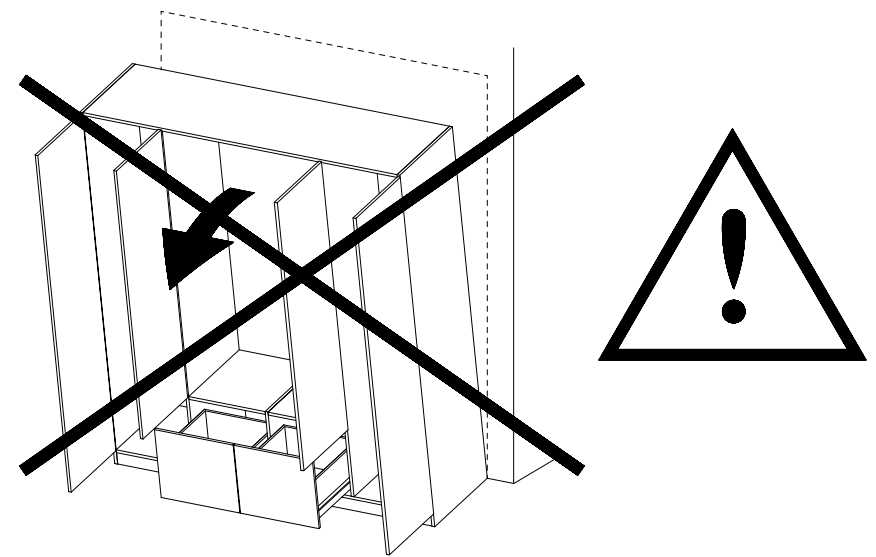
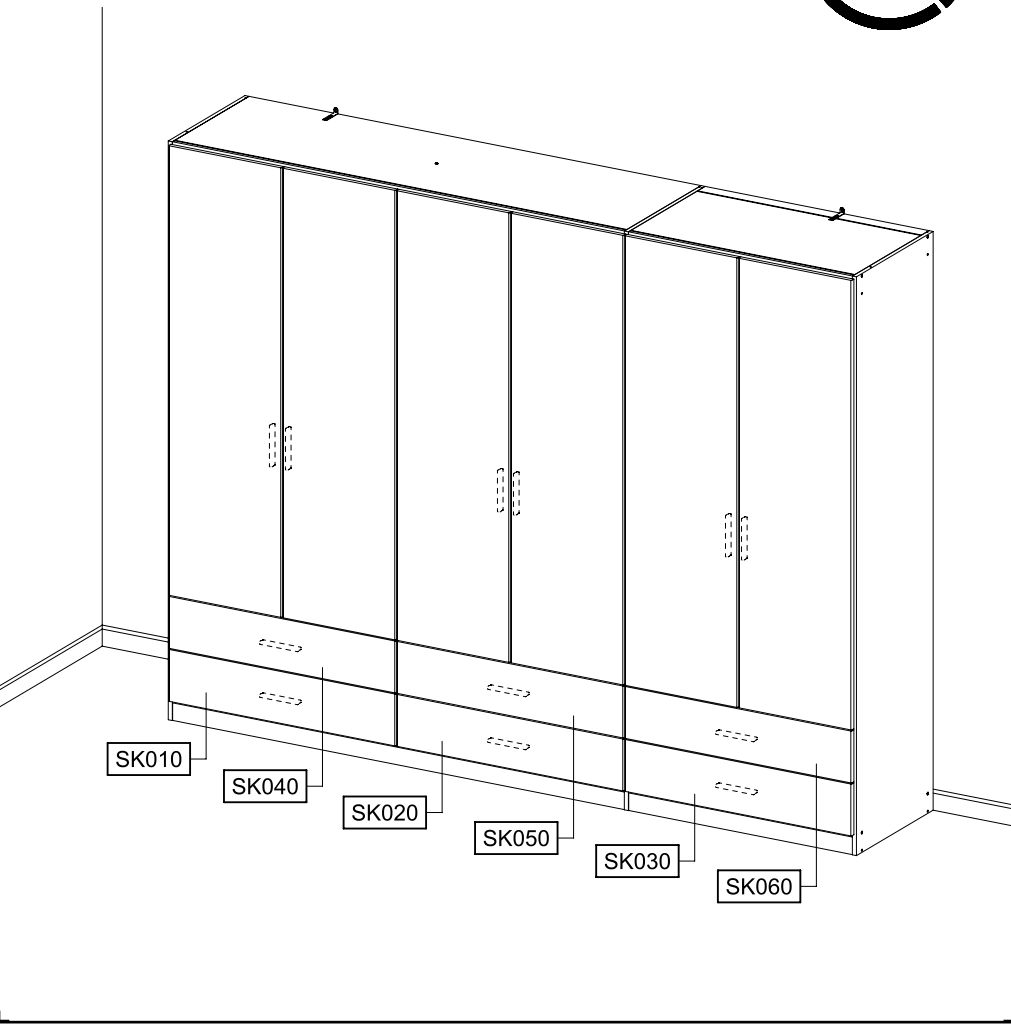


M2876_01



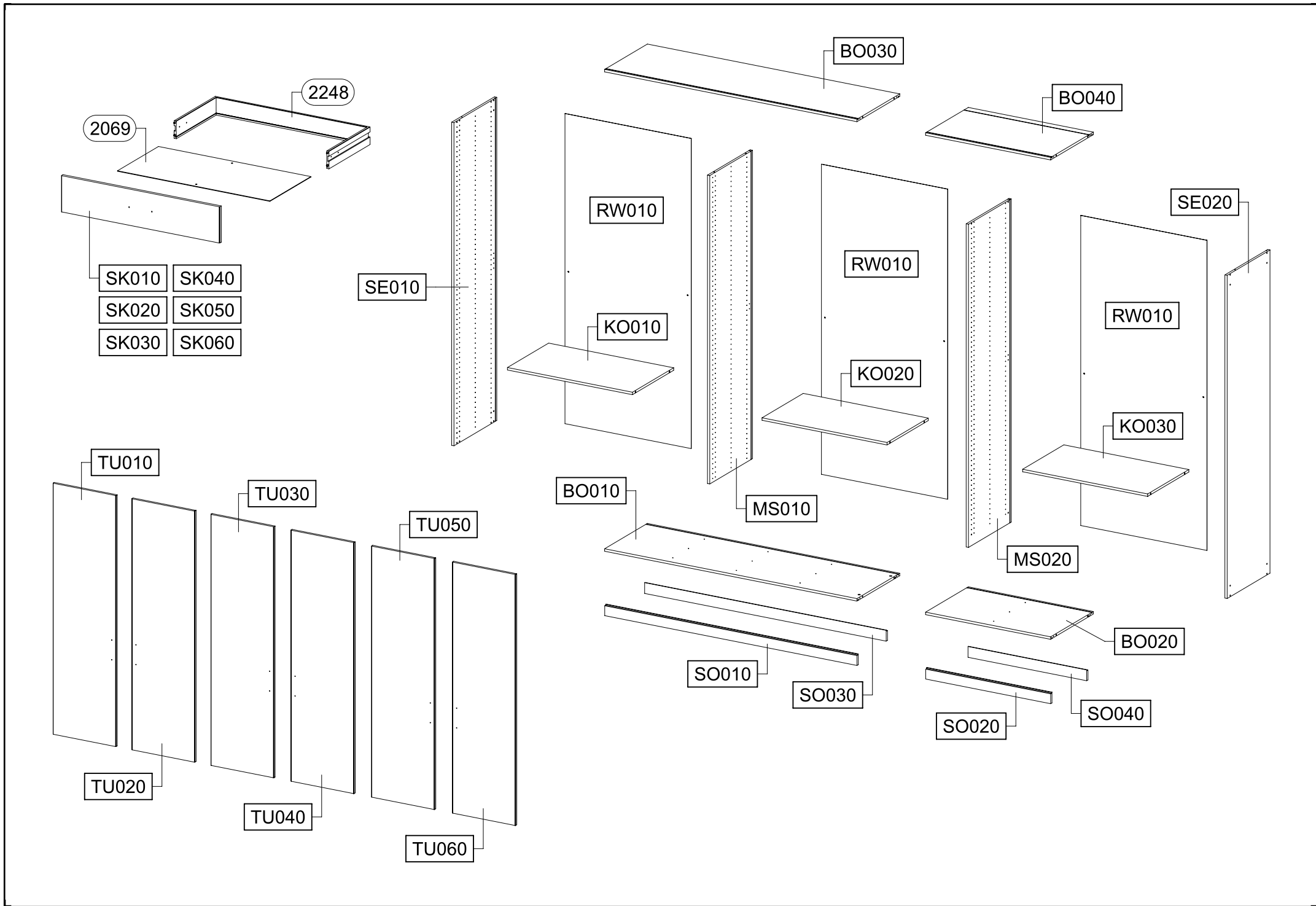
4-5h

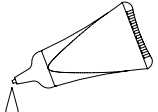
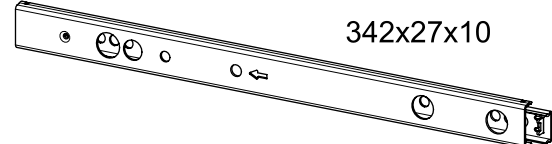
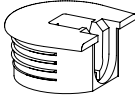
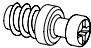
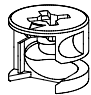

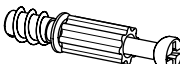
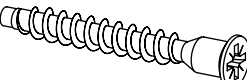





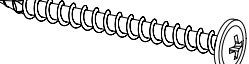

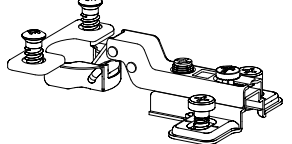
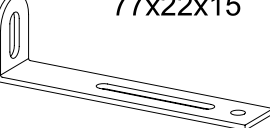

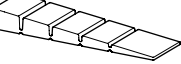
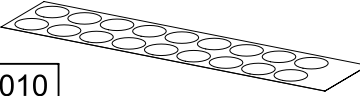
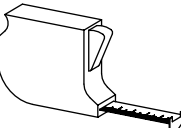
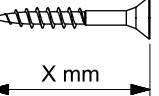
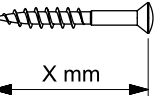
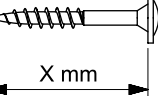


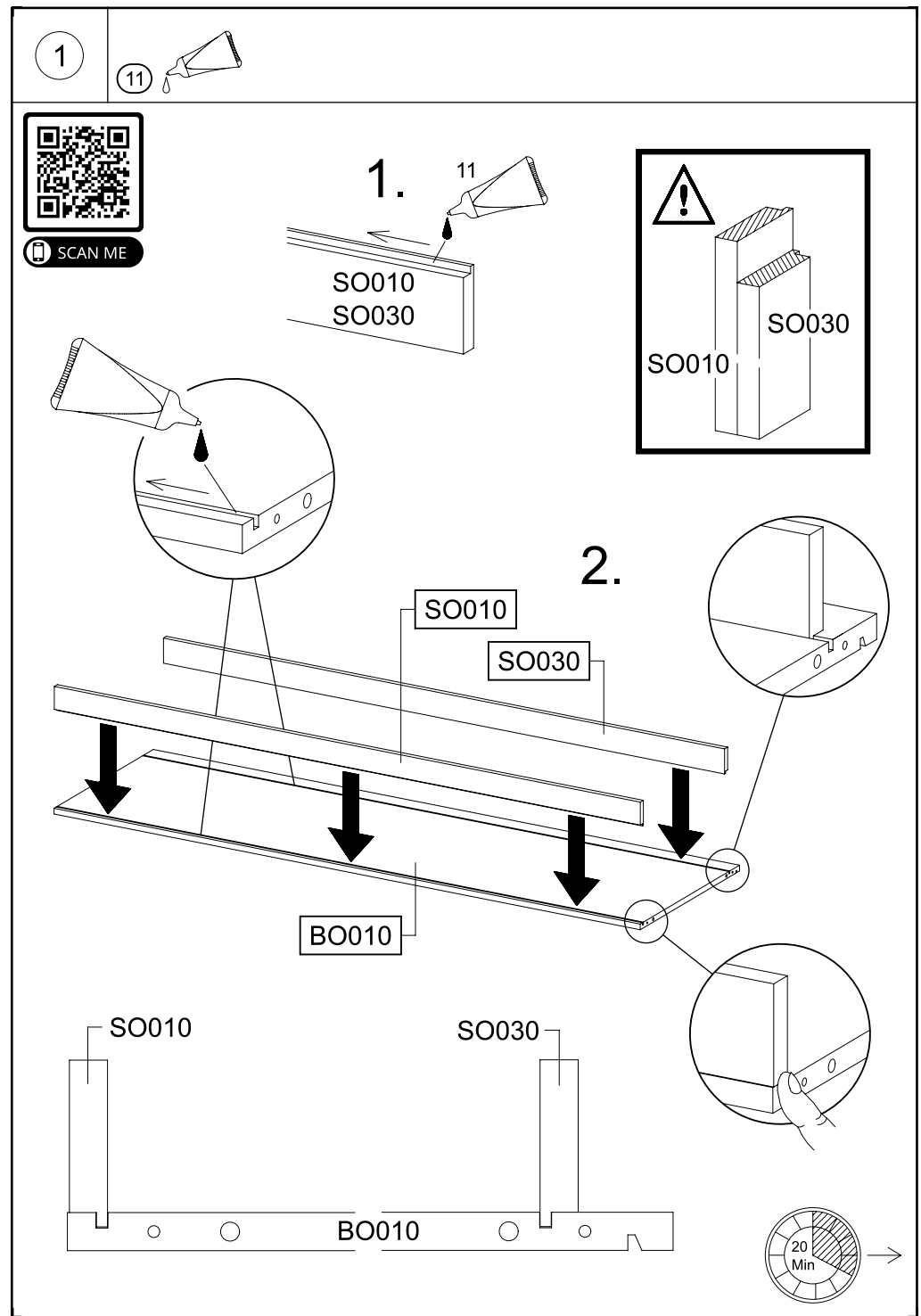
VIDEO



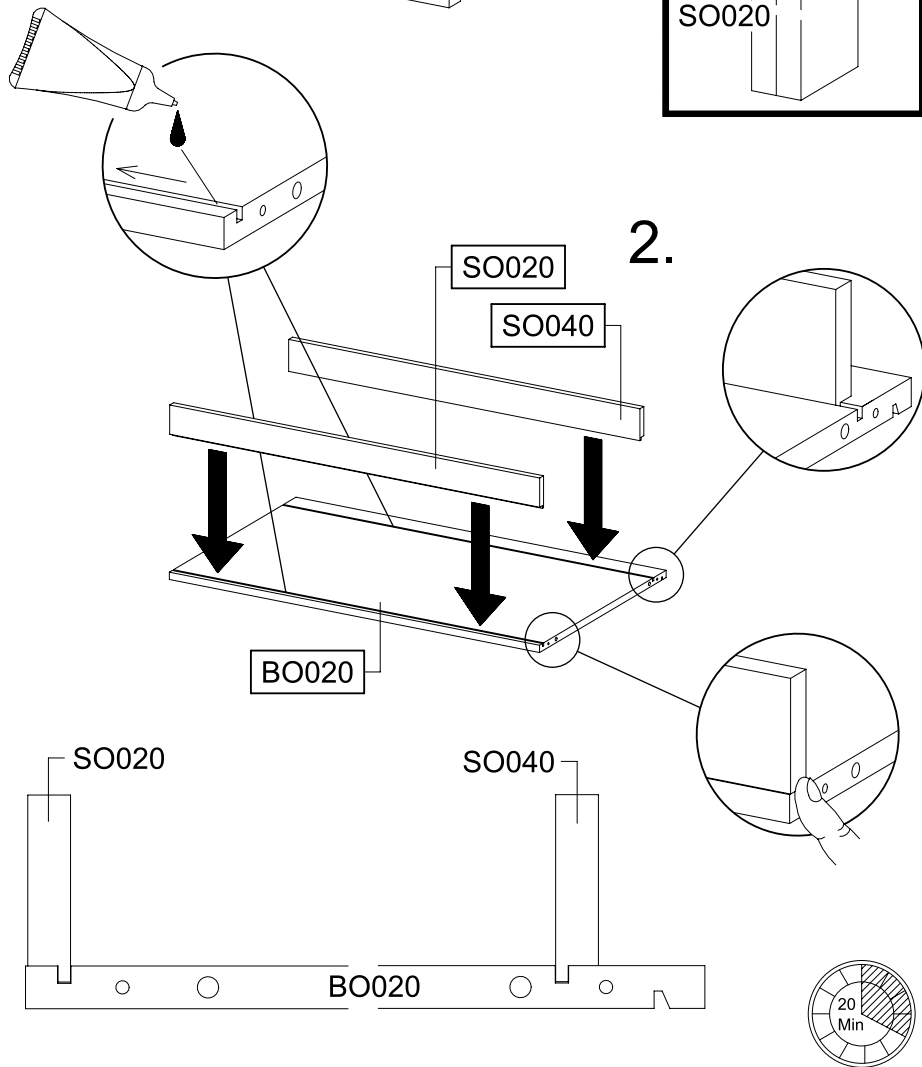
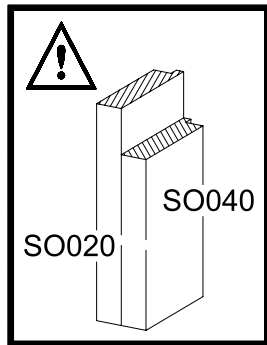
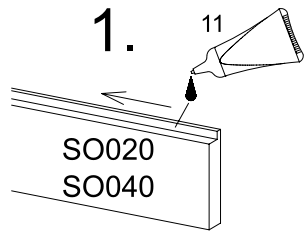
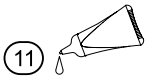
SCAN ME



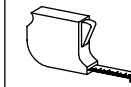
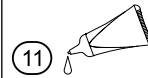
 <p>11</p>	<p>12x</p>  <p>342x27x10</p> <p>1396</p>		
<p>12x</p>  <p>274</p>	<p>12x</p> <p>5,0x7,0</p>  <p>249</p>	<p>4x</p>  <p>173</p>	<p>16x</p> <p>4x15</p>  <p>201</p>
<p>4x</p>  <p>183</p>	<p>12x</p> <p>6,3x50</p>  <p>233</p>		<p>24x</p> <p>6x8</p>  <p>534</p>
<p>8x</p> <p>8x30</p>  <p>18</p>	<p>12x</p> <p>3,5x15</p>  <p>205</p>	<p>18x</p>  <p>1</p>	
<p>12x</p> <p>M4x9</p>  <p>568</p>	<p>1x</p> <p>4,5x50</p>  <p>296</p>	<p>4x</p>  <p>807</p>	
<p>18x</p>  <p>116</p>		<p>2x</p> <p>77x22x15</p>  <p>68</p>	
<p>6x</p> <p>6,5x12</p>  <p>779</p>	<p>3x</p> <p>55x16x6,2</p>  <p>12</p>	<p>1x</p>  <p>RE010</p>	
	 <p>X mm</p>	 <p>X mm</p>	 <p>X mm</p>



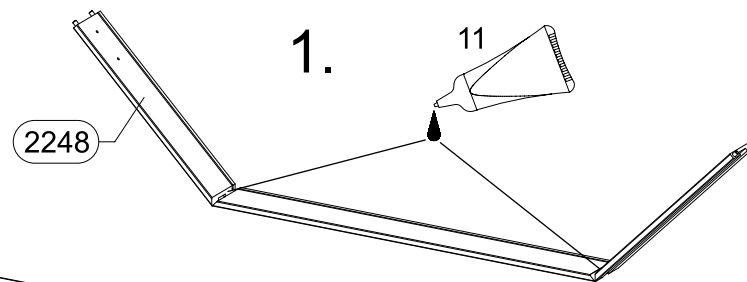
2



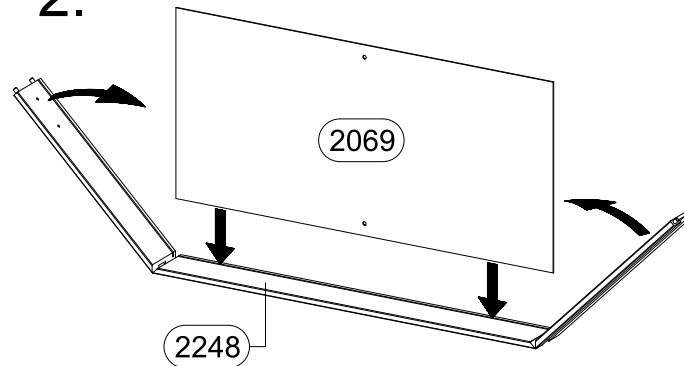
3



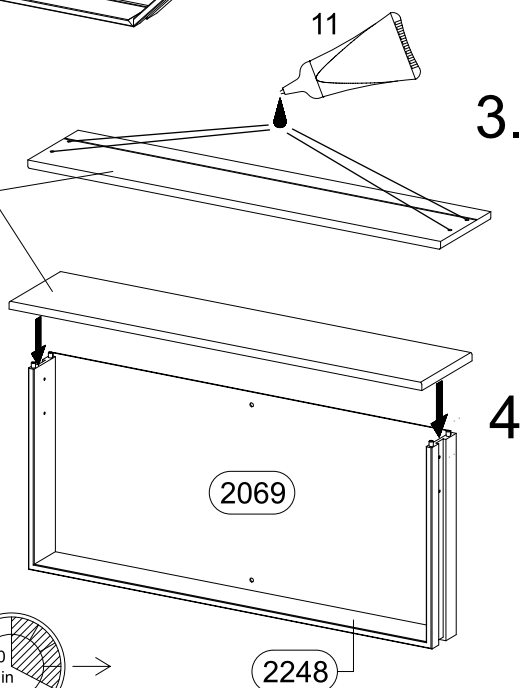
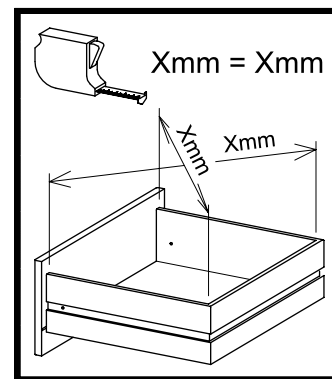
SCAN ME

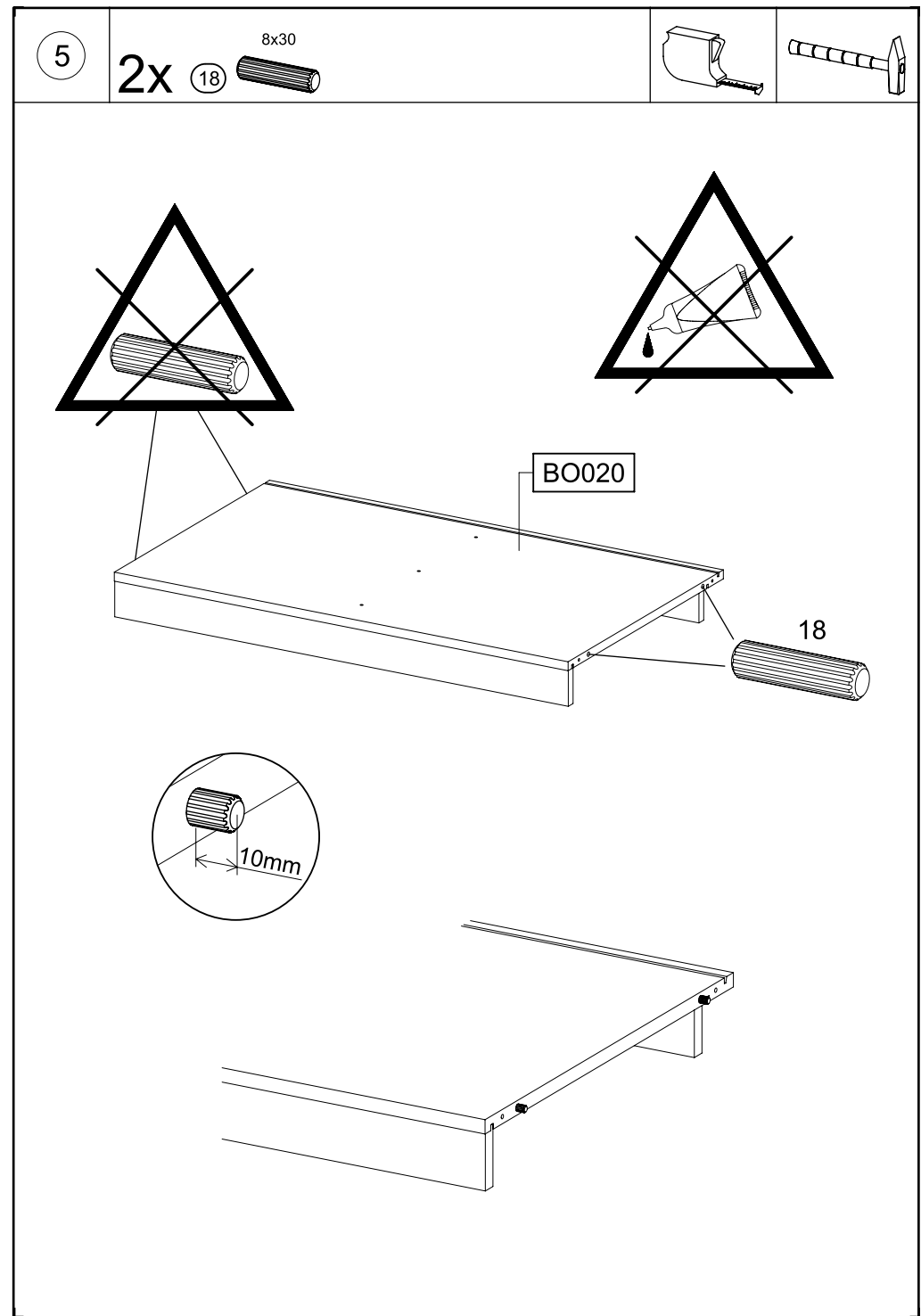
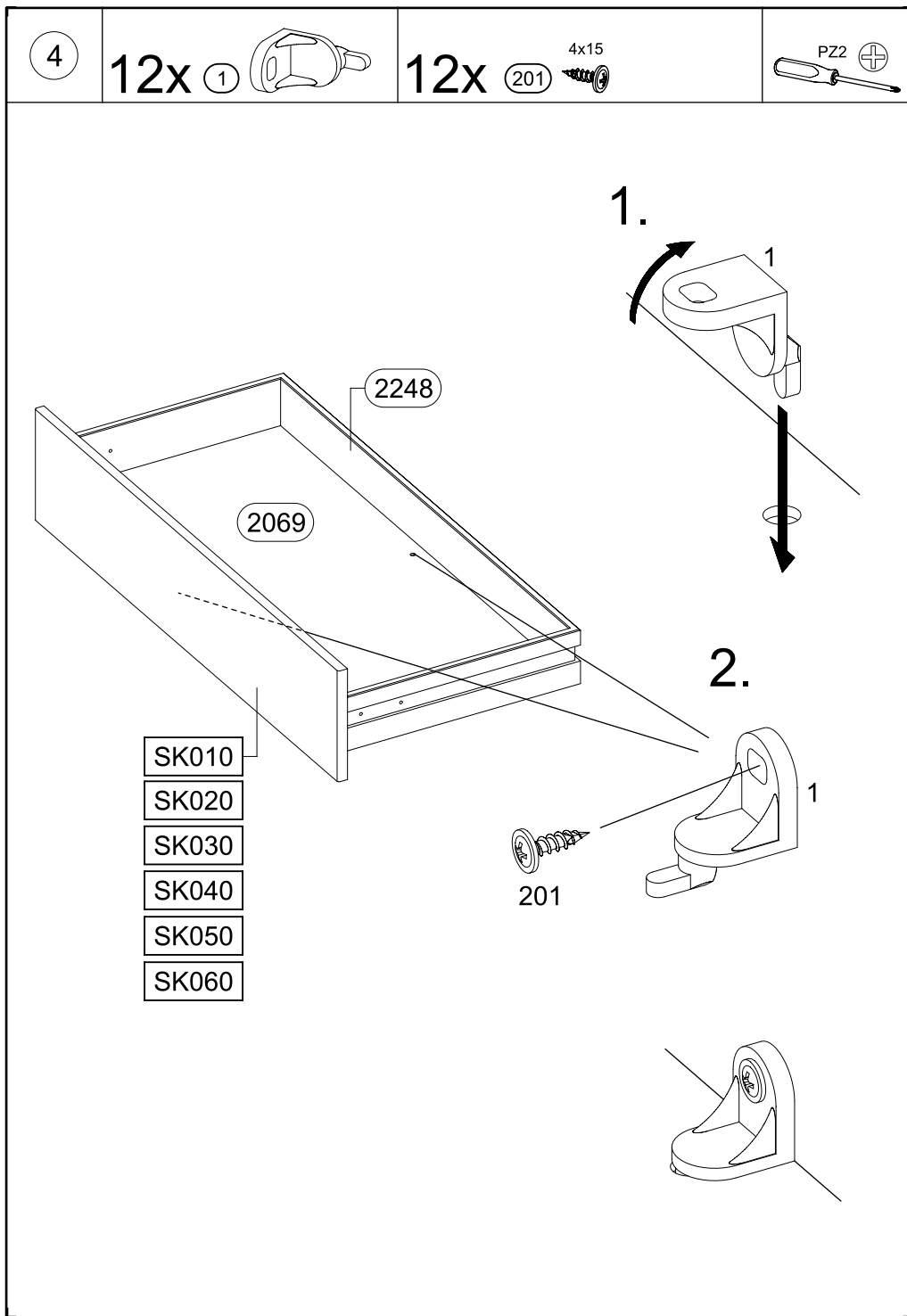


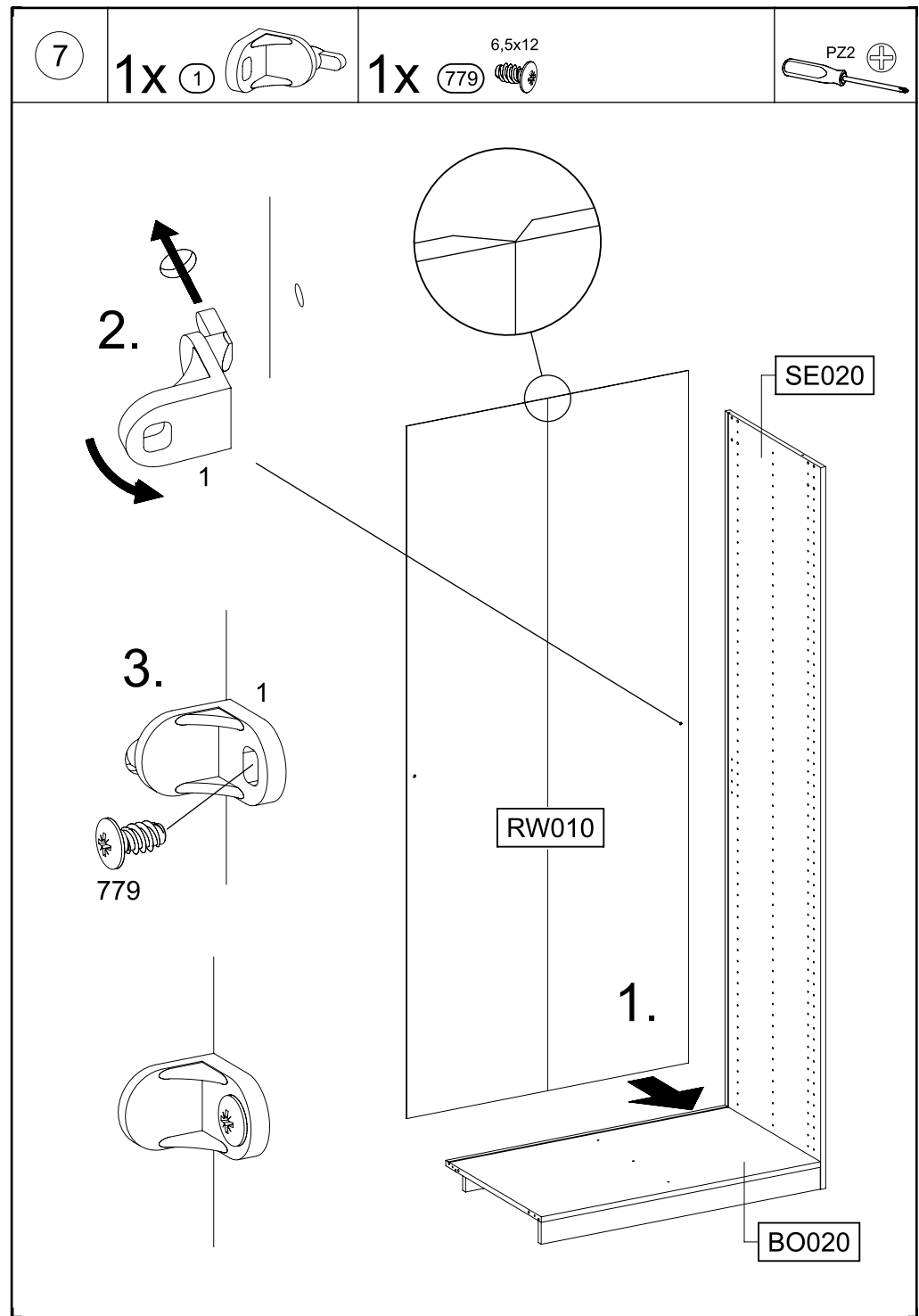
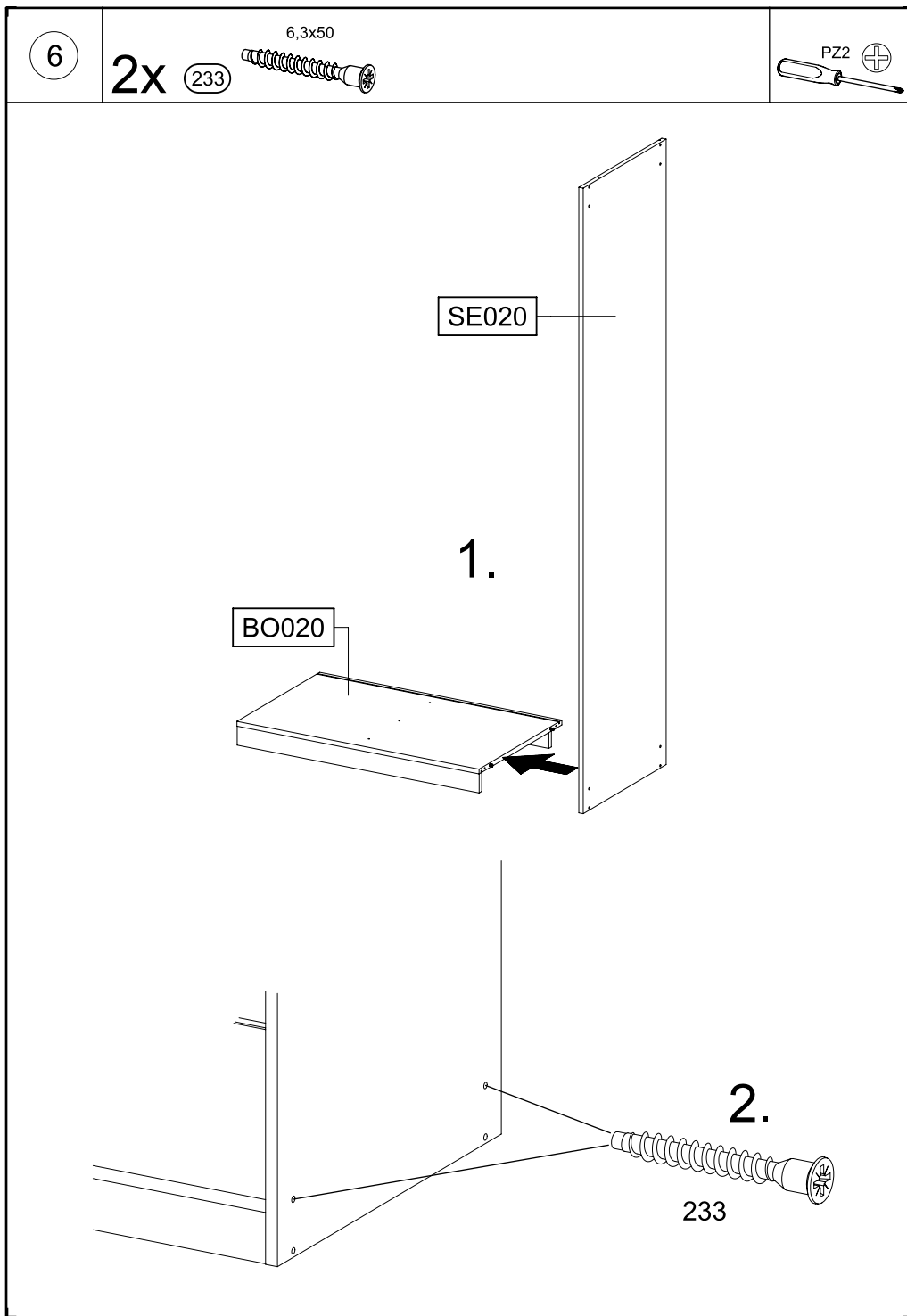
2.

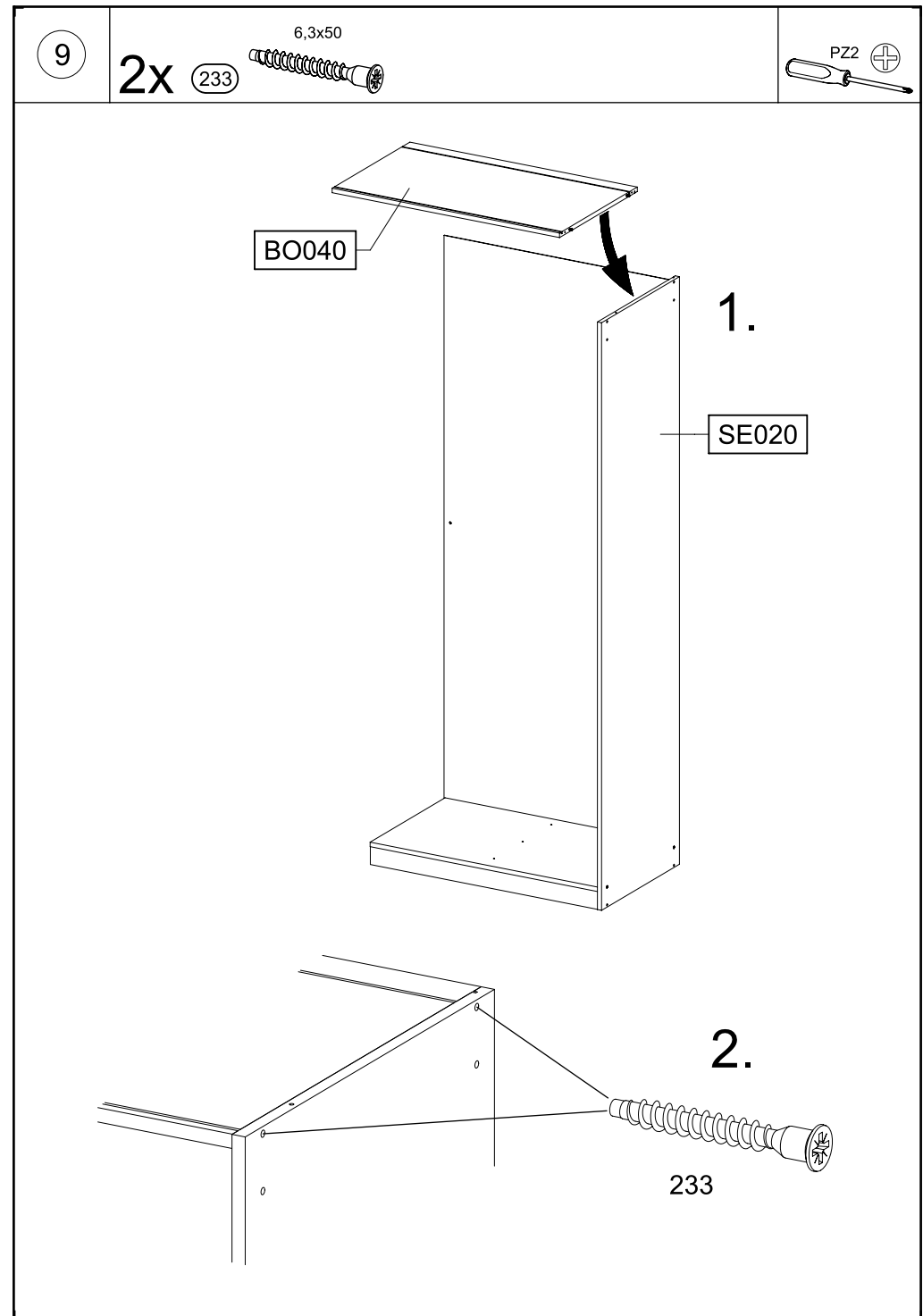
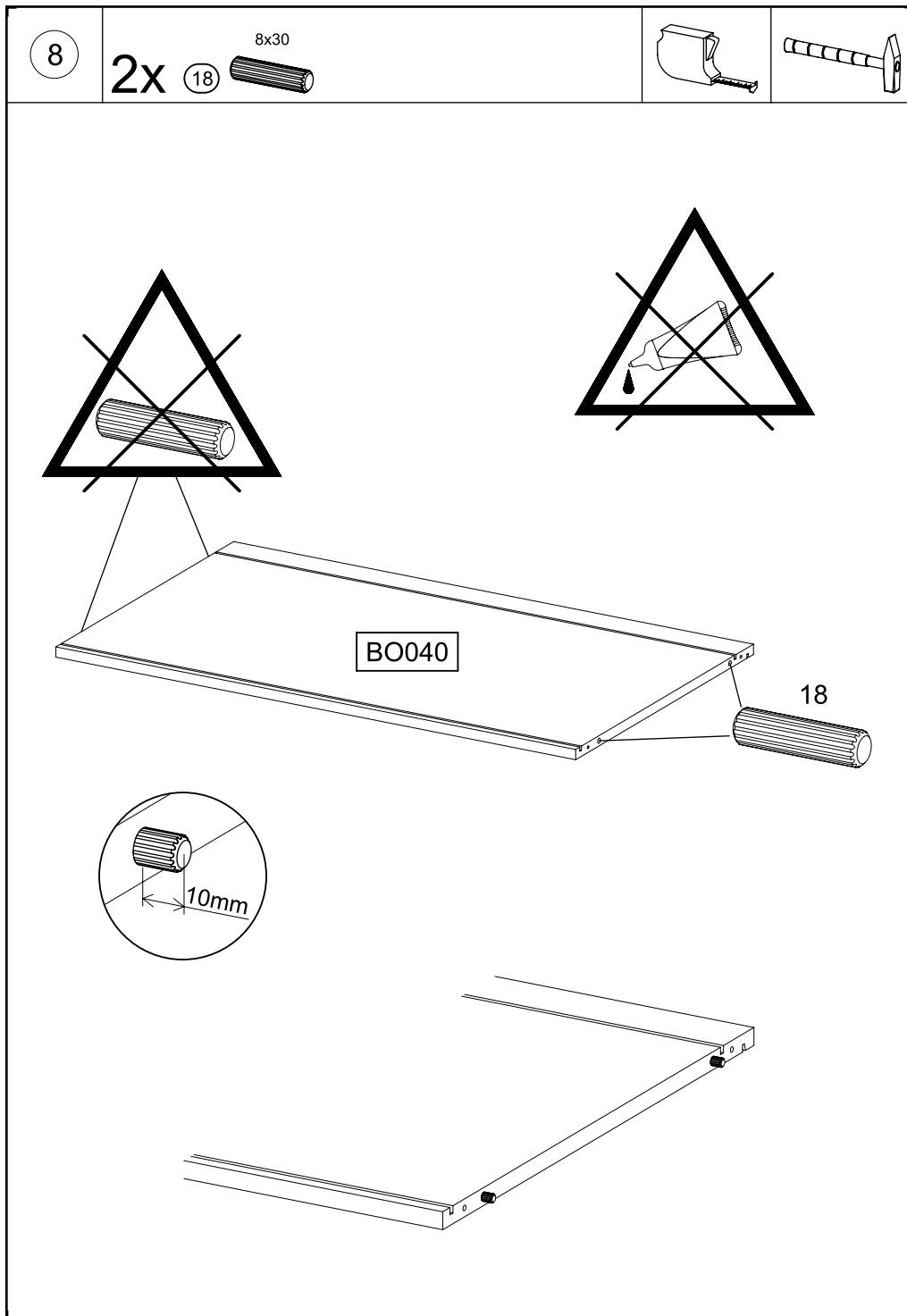


- | | | |
|-------|-------|-------|
| SK010 | SK020 | SK030 |
| SK040 | SK050 | SK060 |



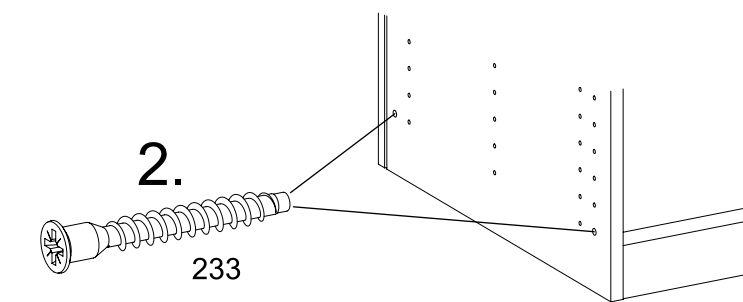
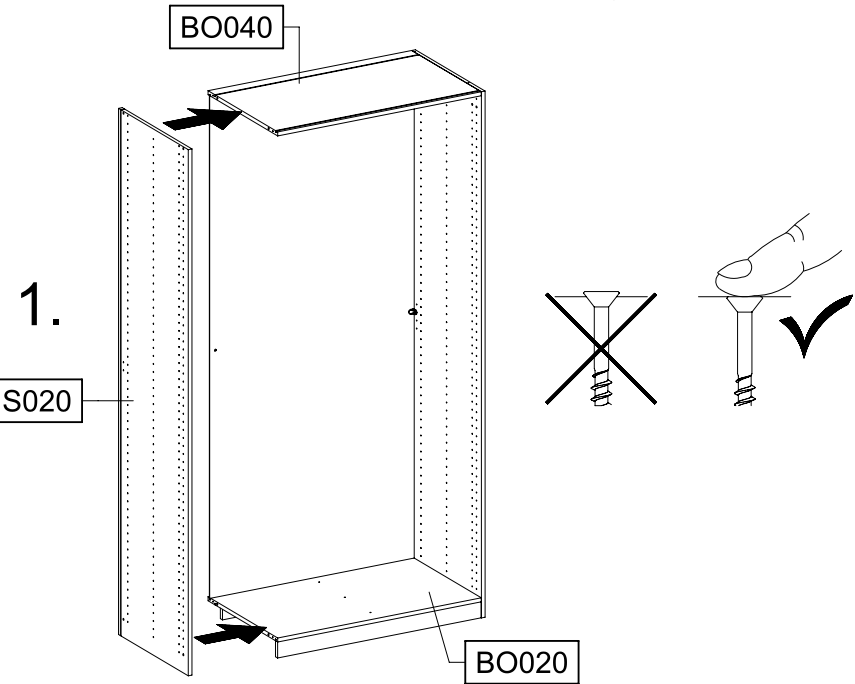
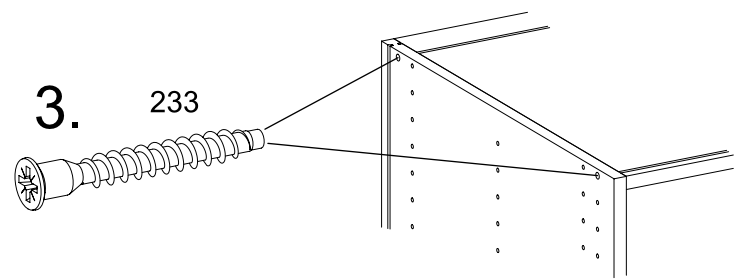
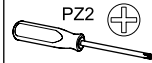
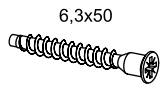






10

4x 233

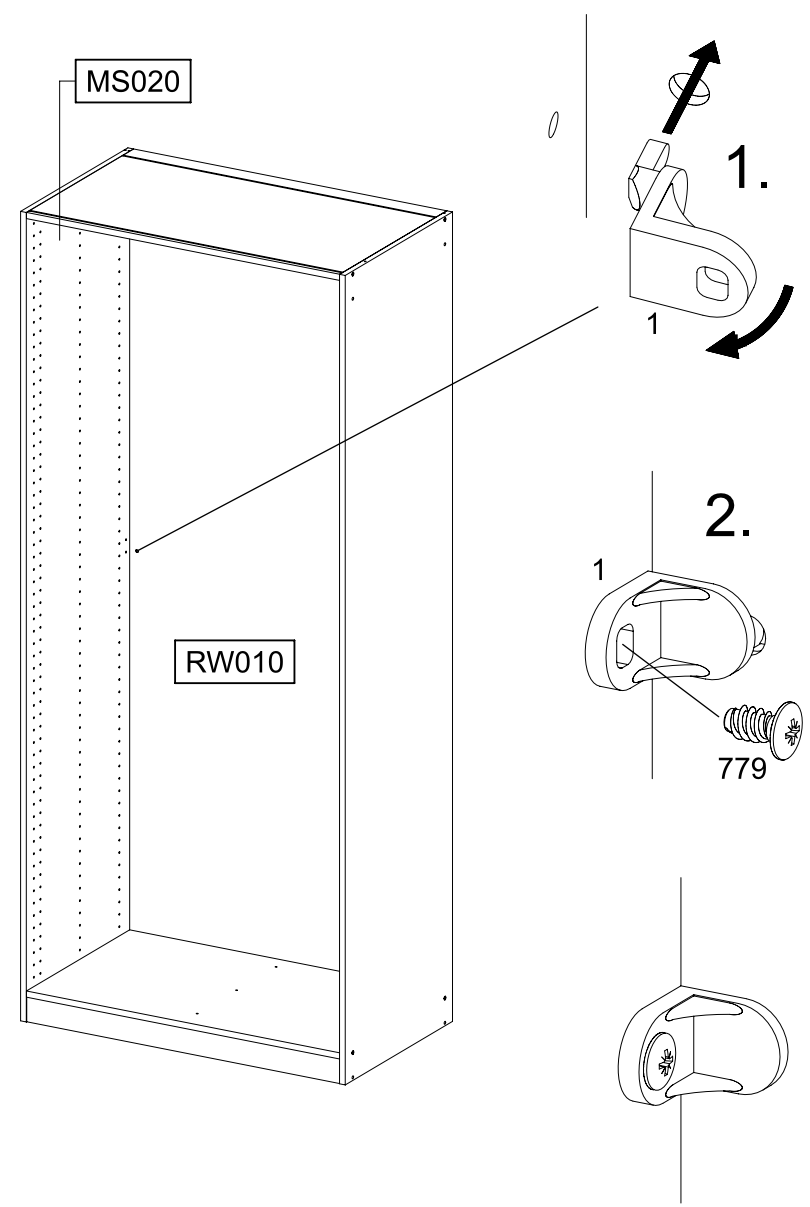
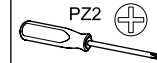


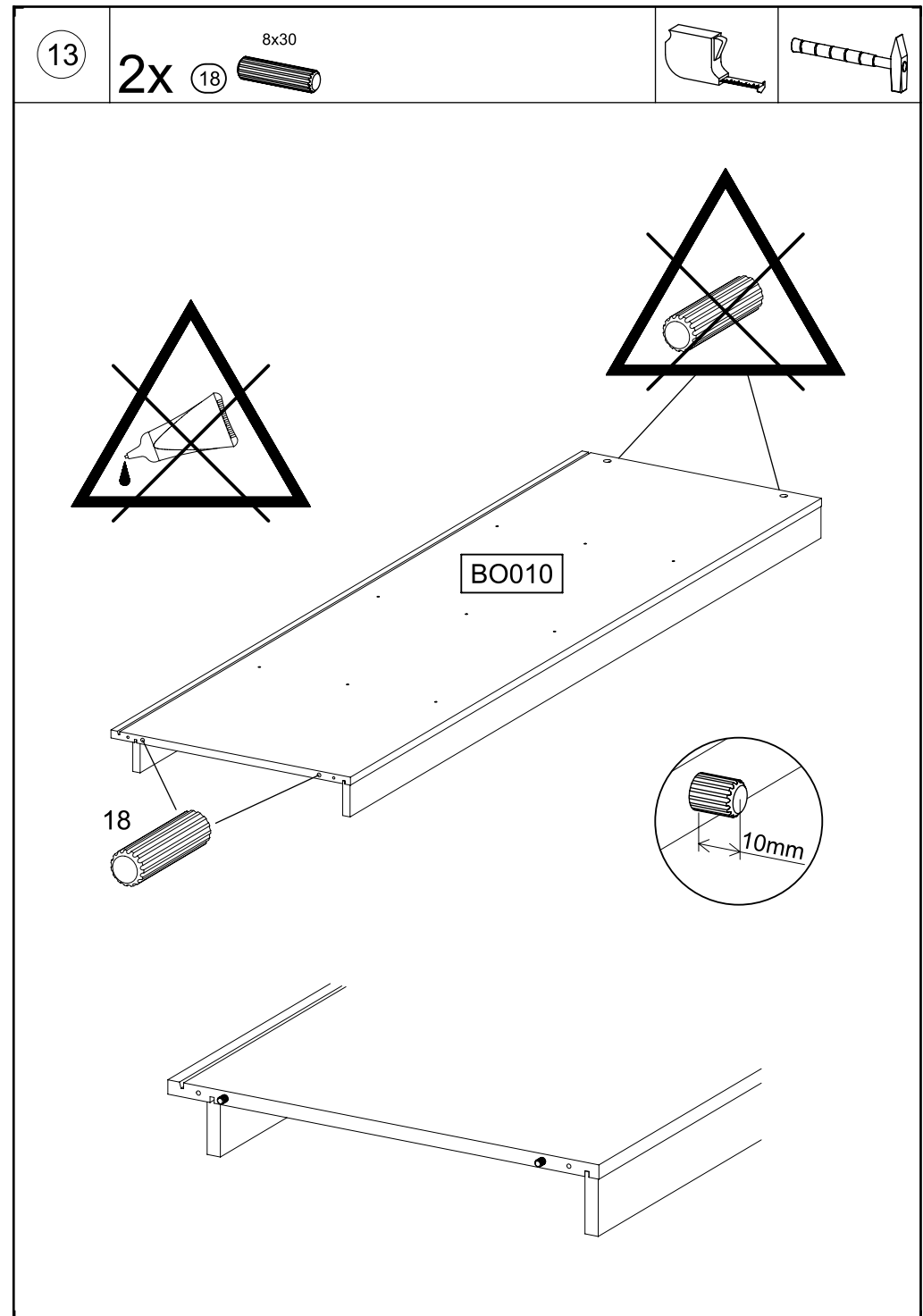
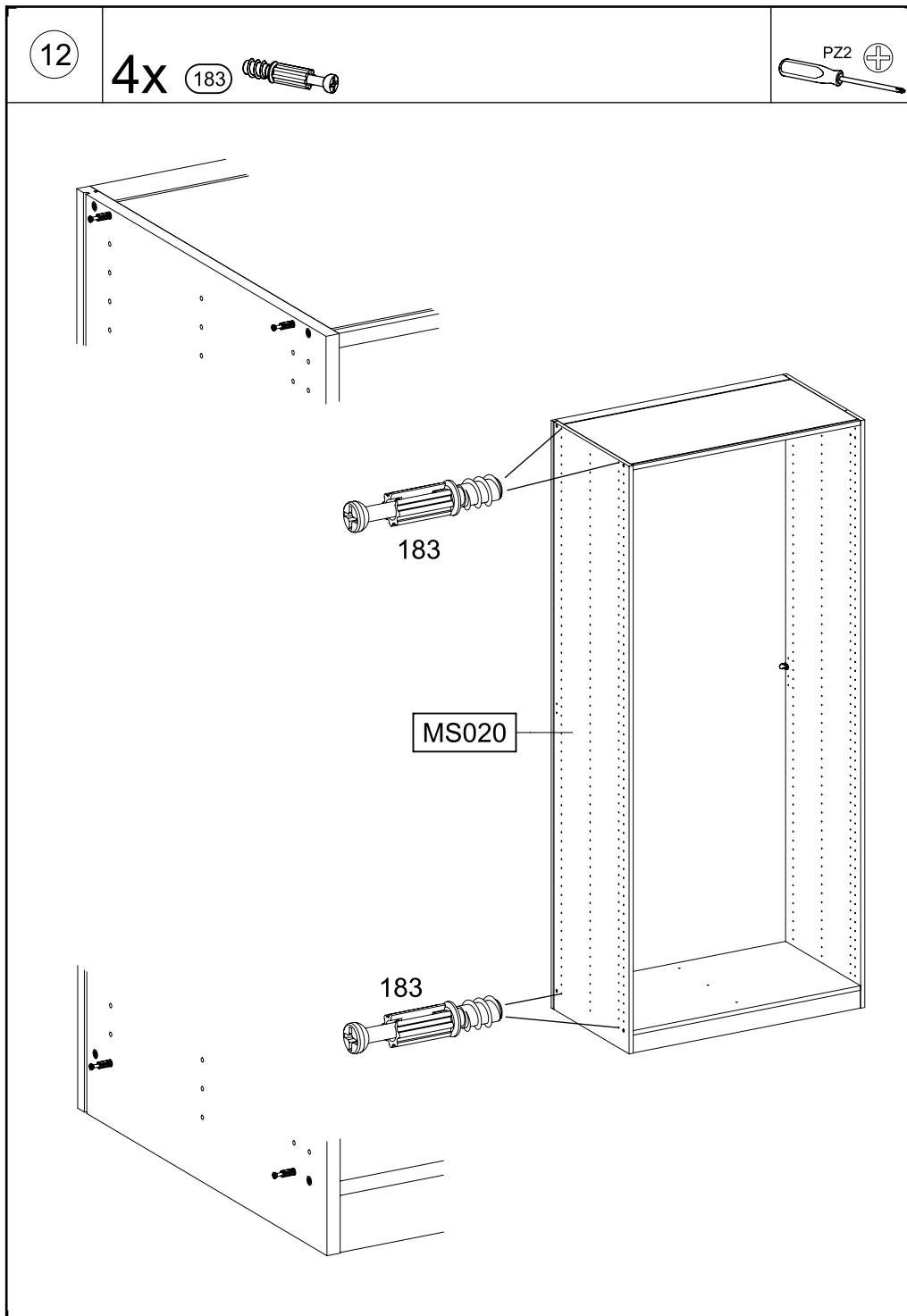
11

1x 1



1x 779

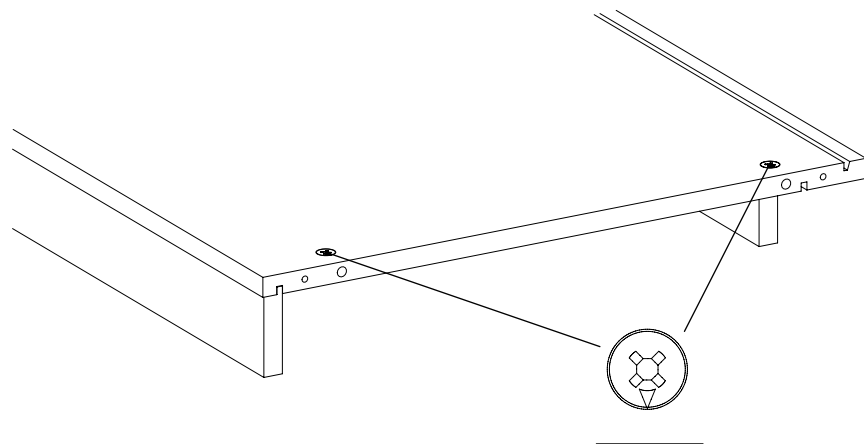
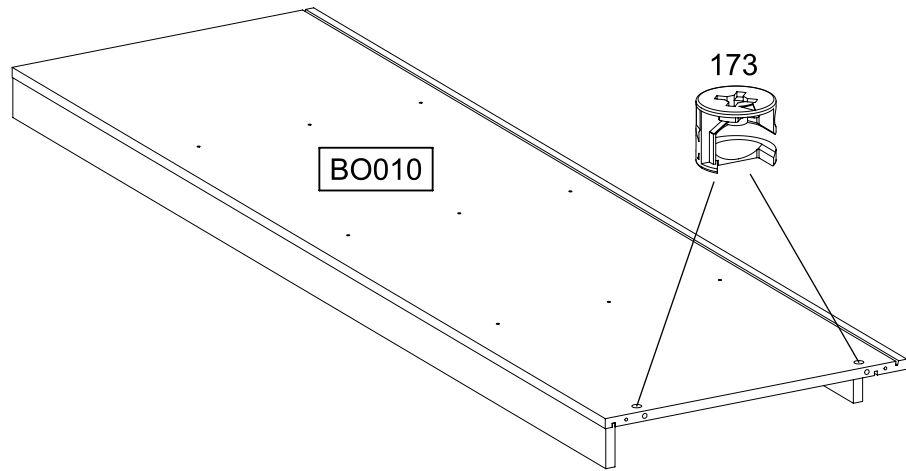




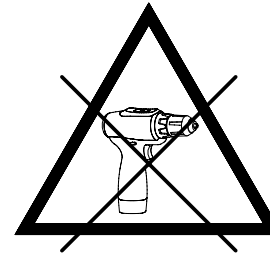
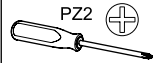
14

2x

173

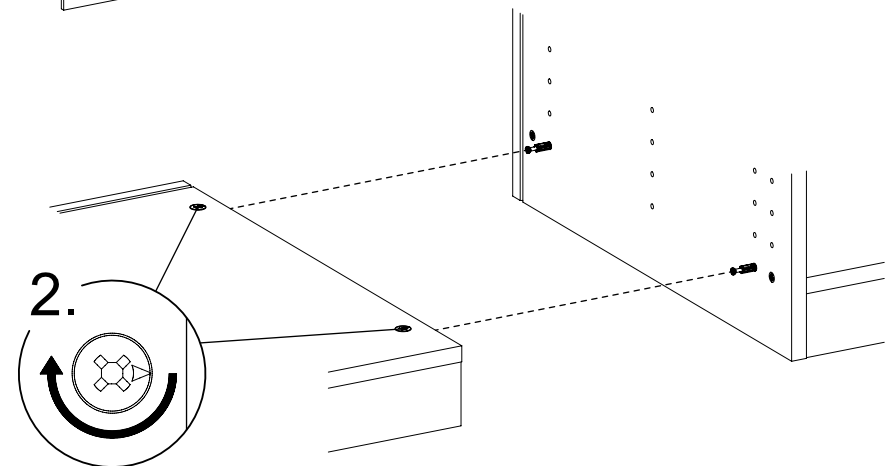
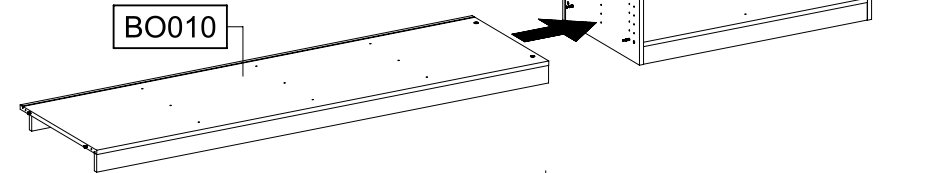


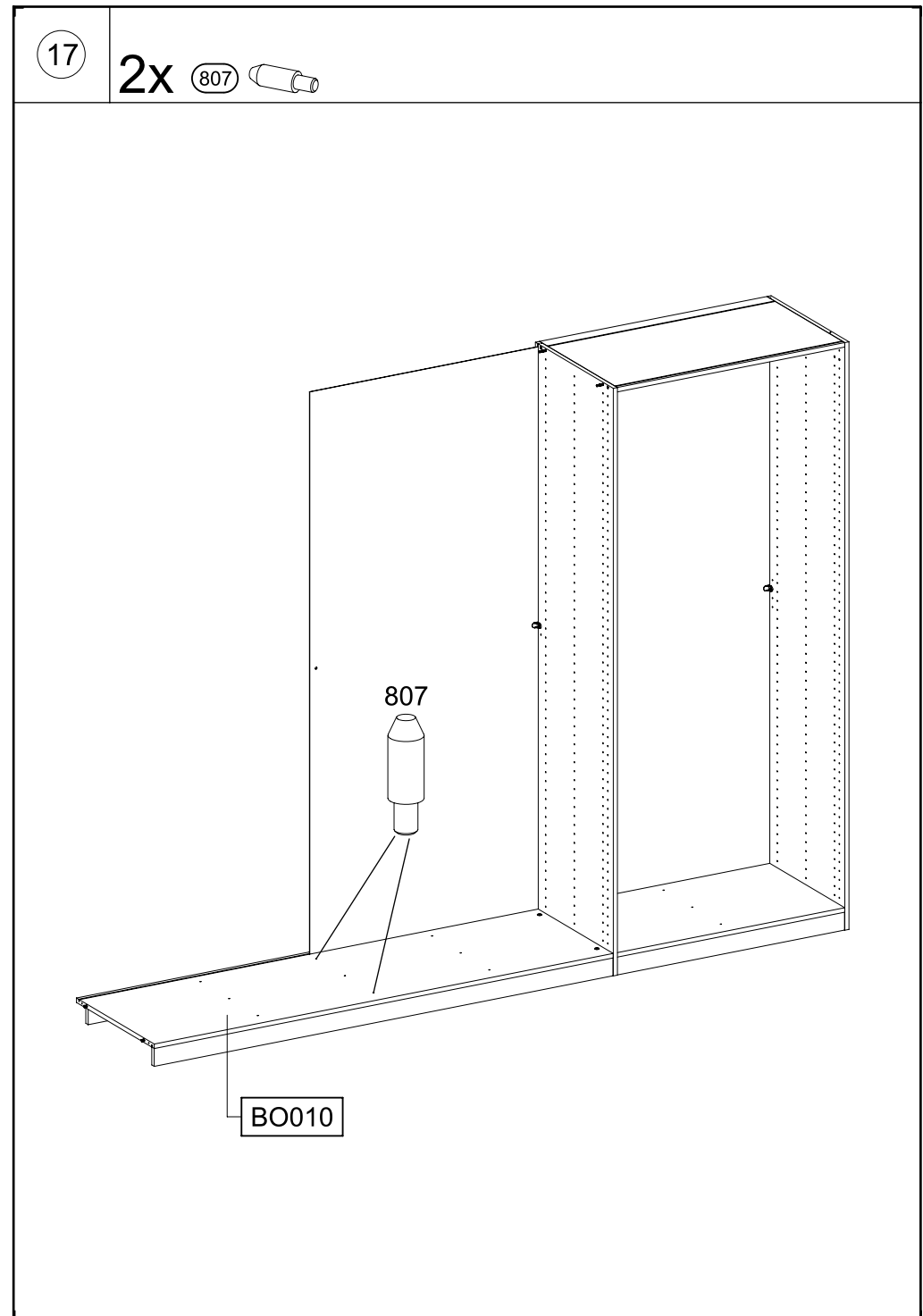
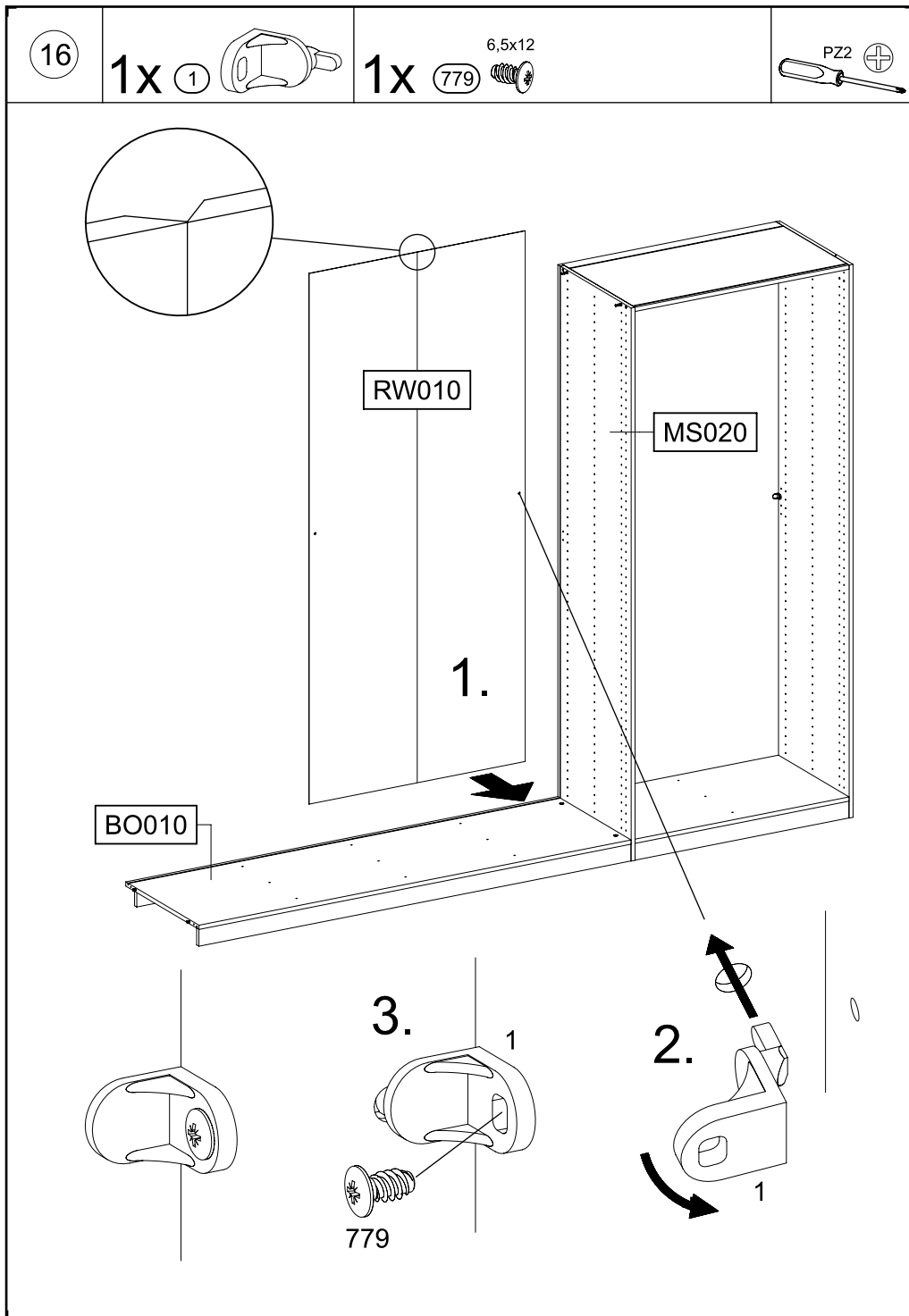
15



MS020

1.





18

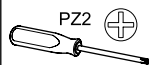
1x ①



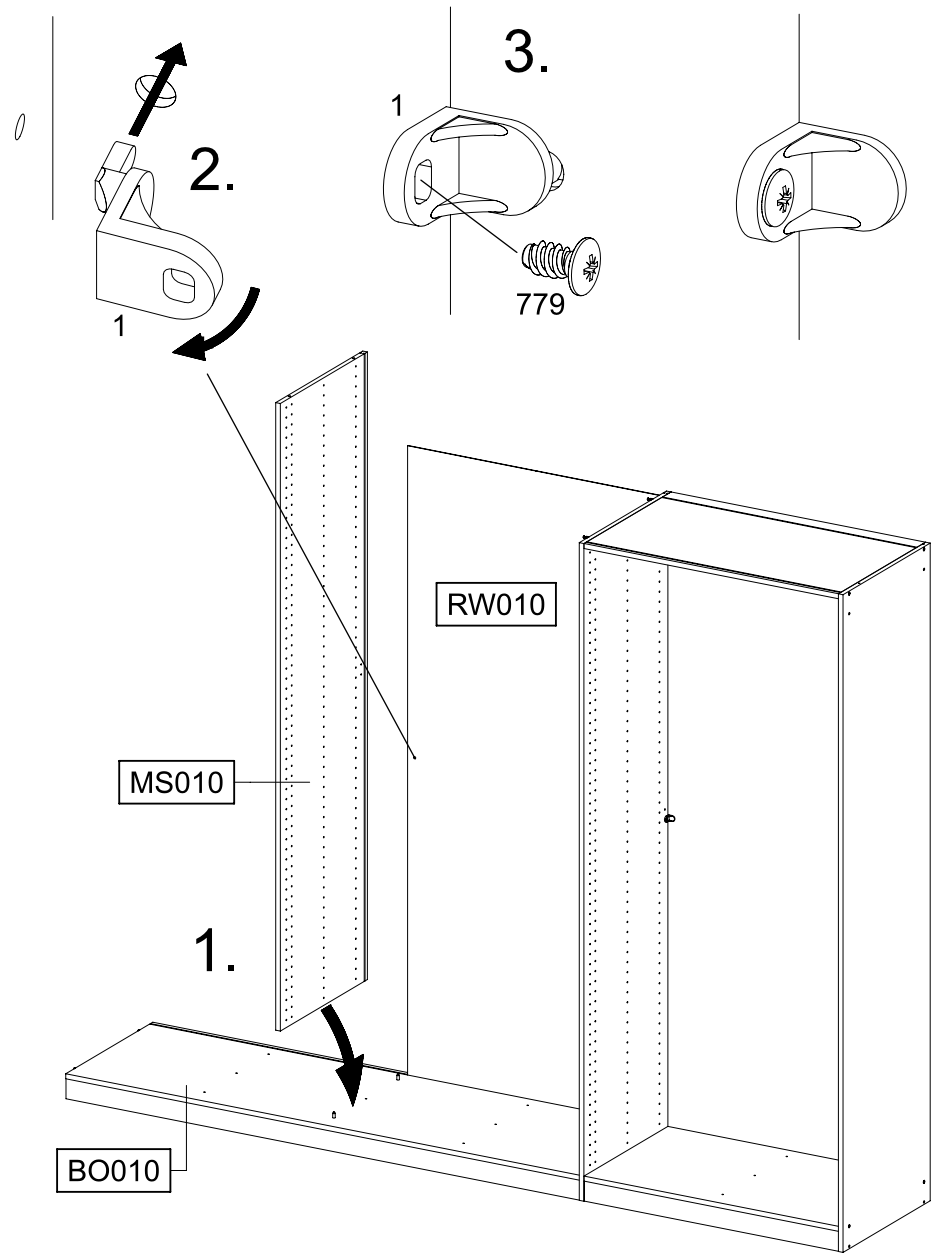
1x ②

779

6,5x12



PZ2



19

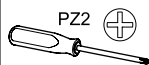
1x ①



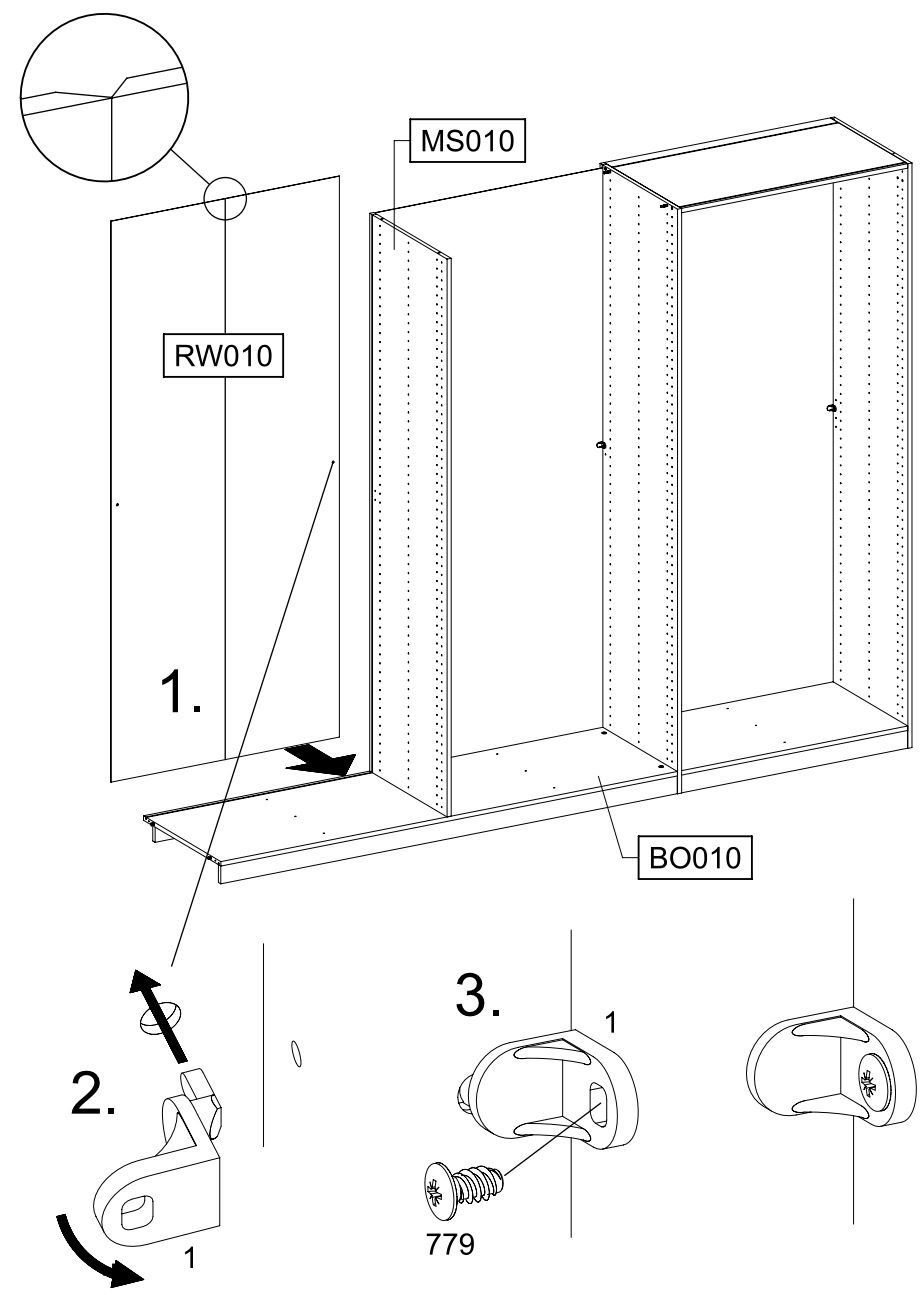
1x ②

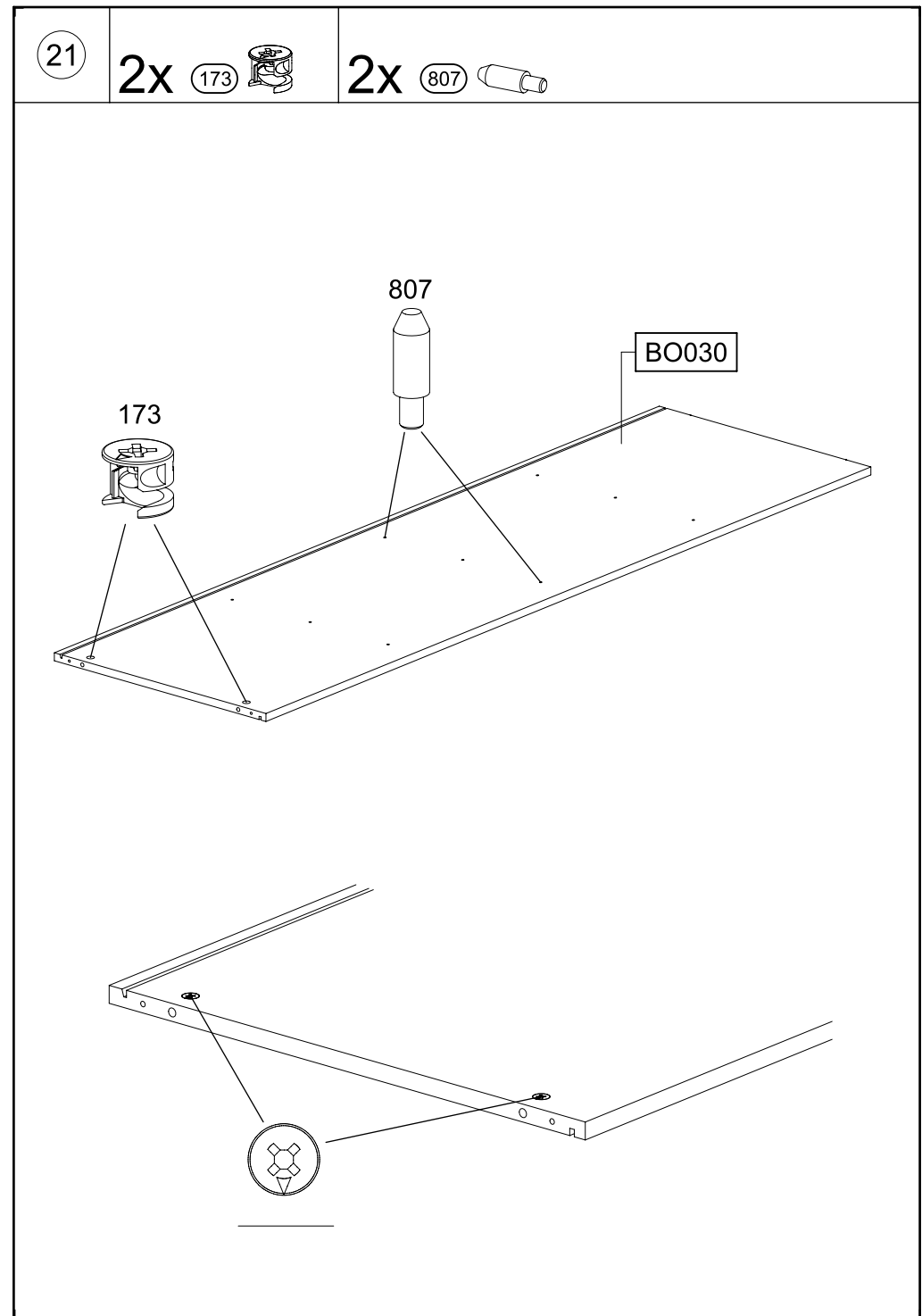
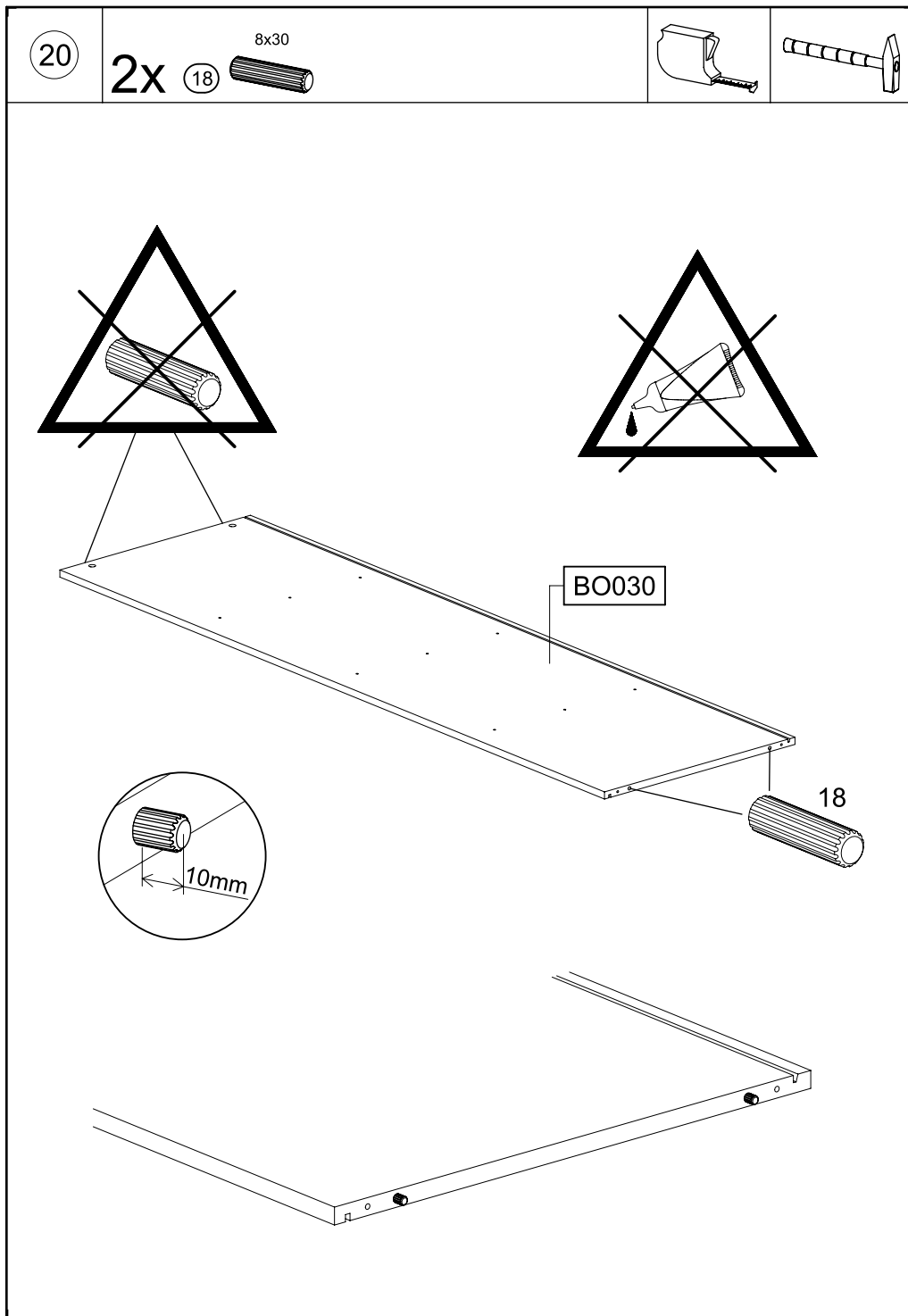
779

6,5x12

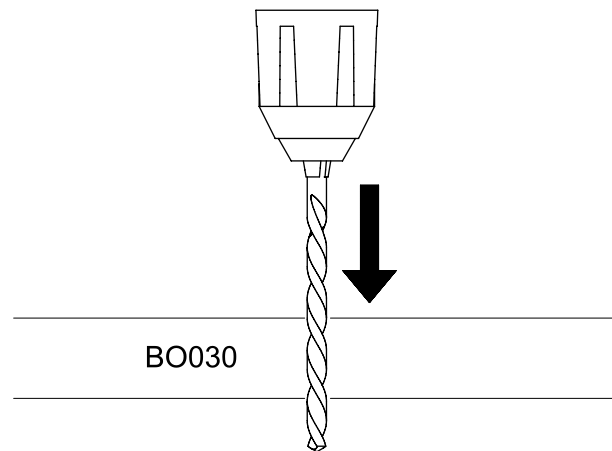
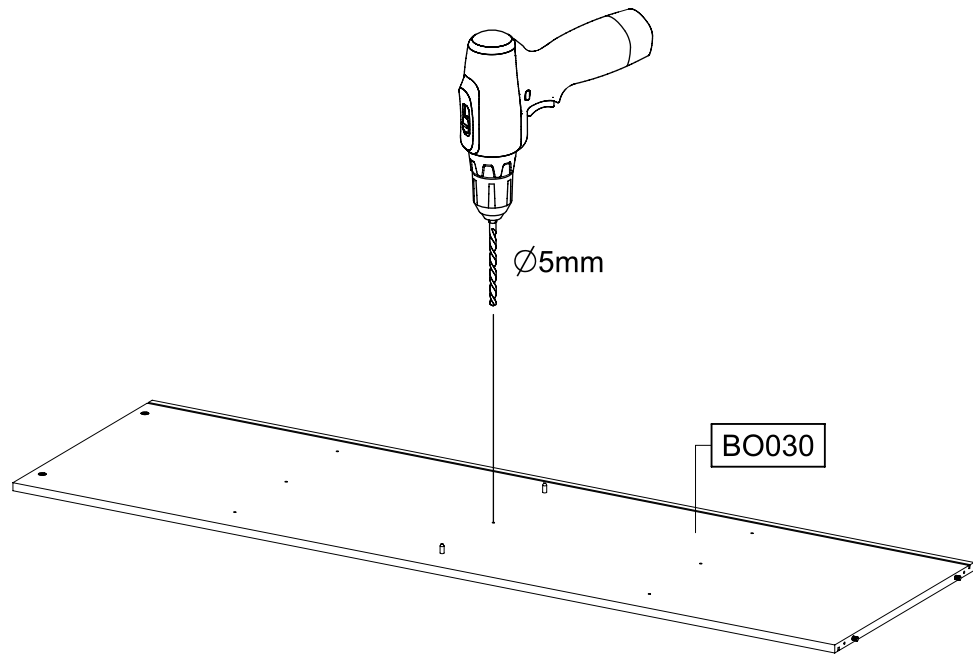
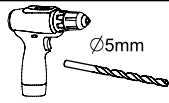


PZ2

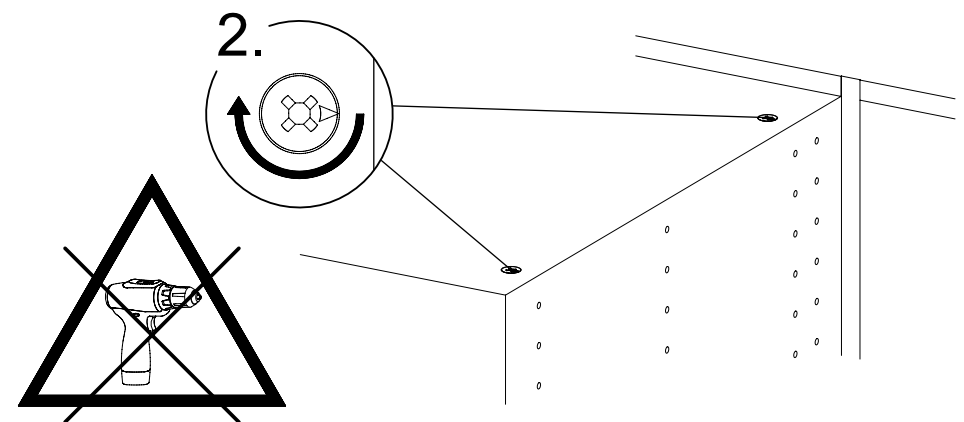
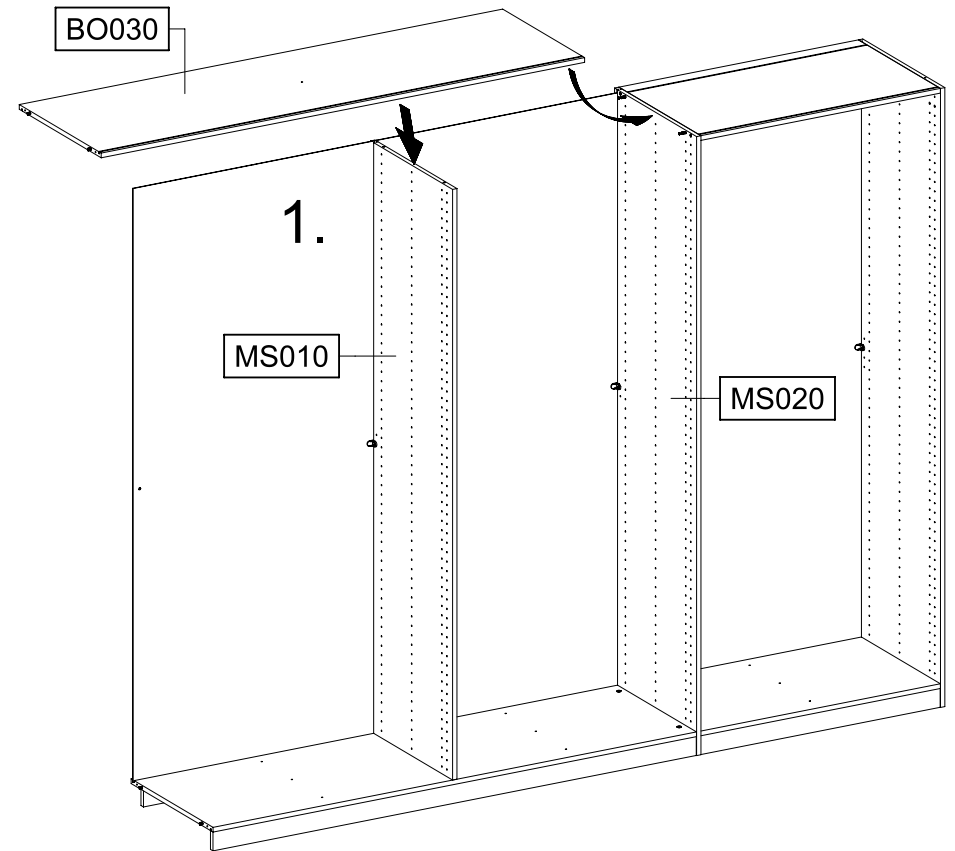
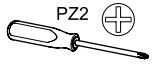




22

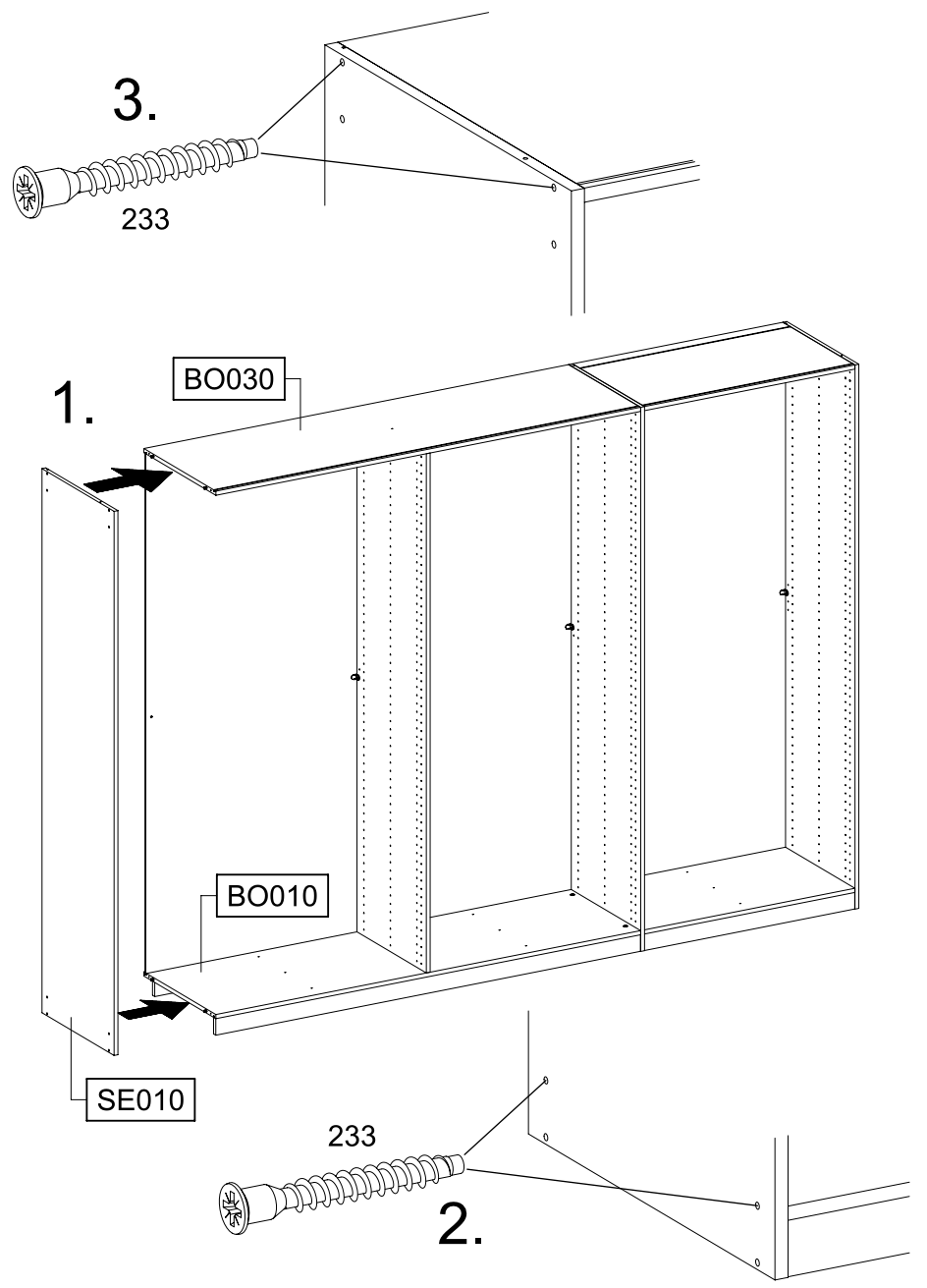
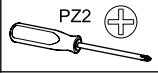
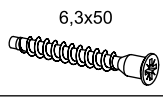


23



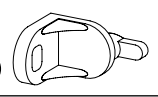
24

4x 233

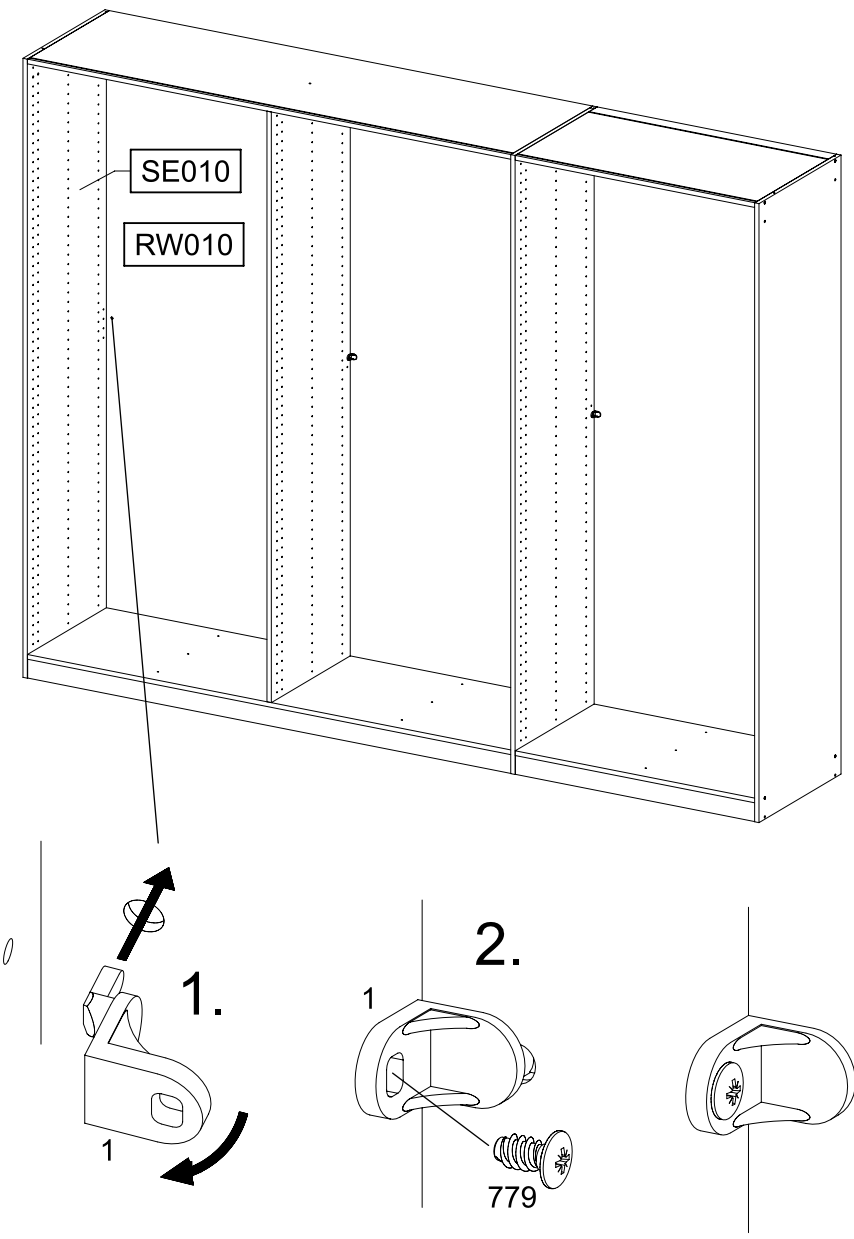
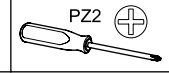


25

1x 1



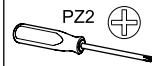
1x 779



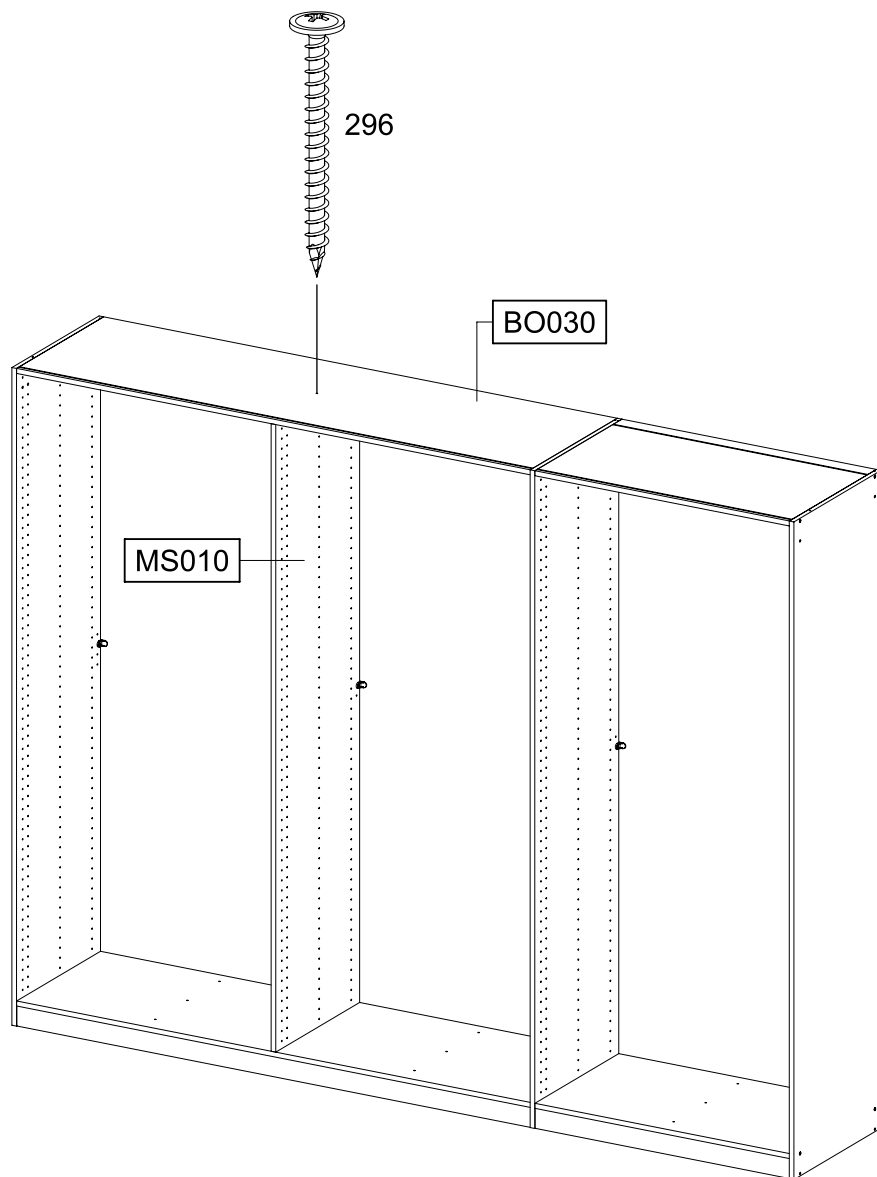
26

1x (296)

4,5x50



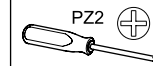
PZ2



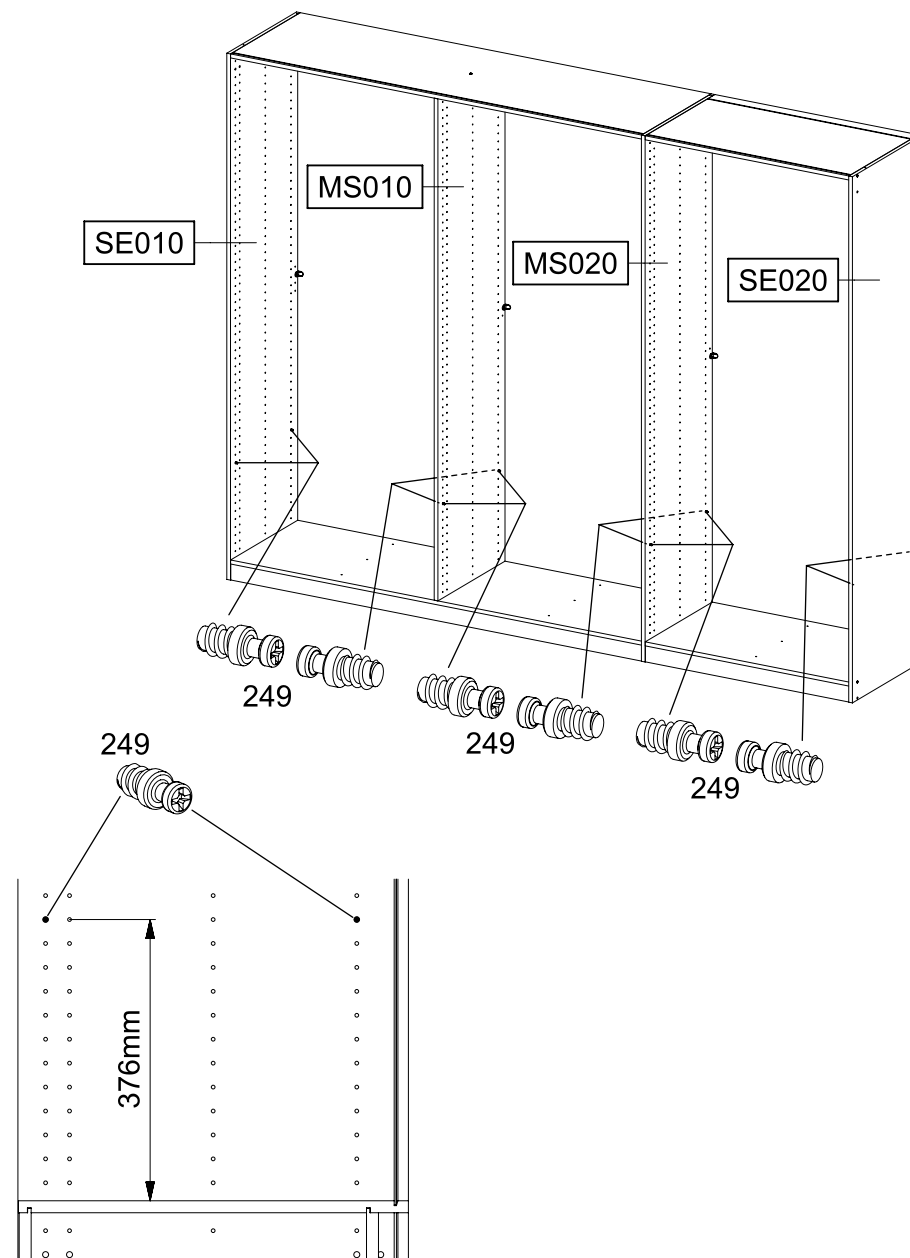
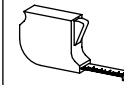
27

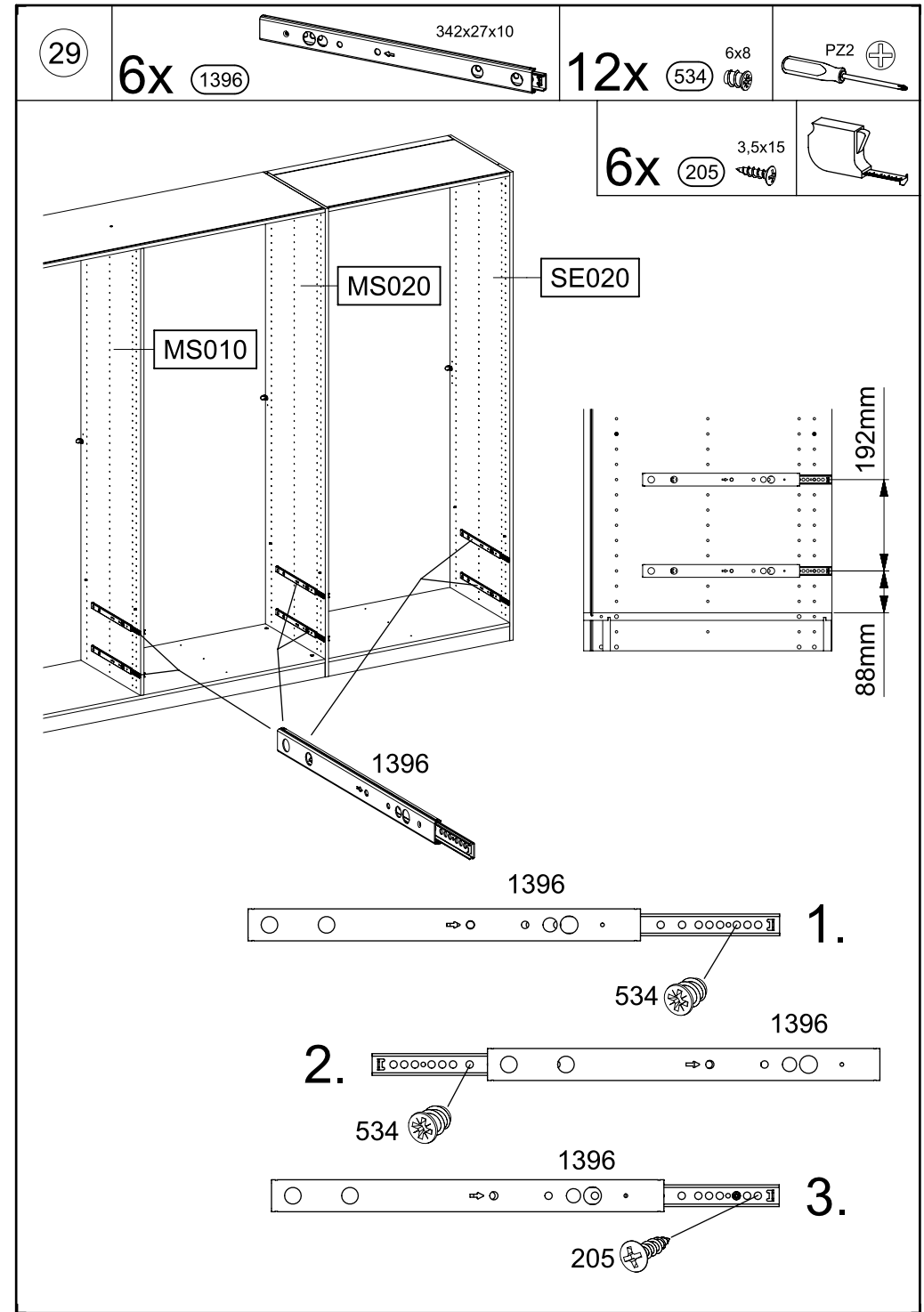
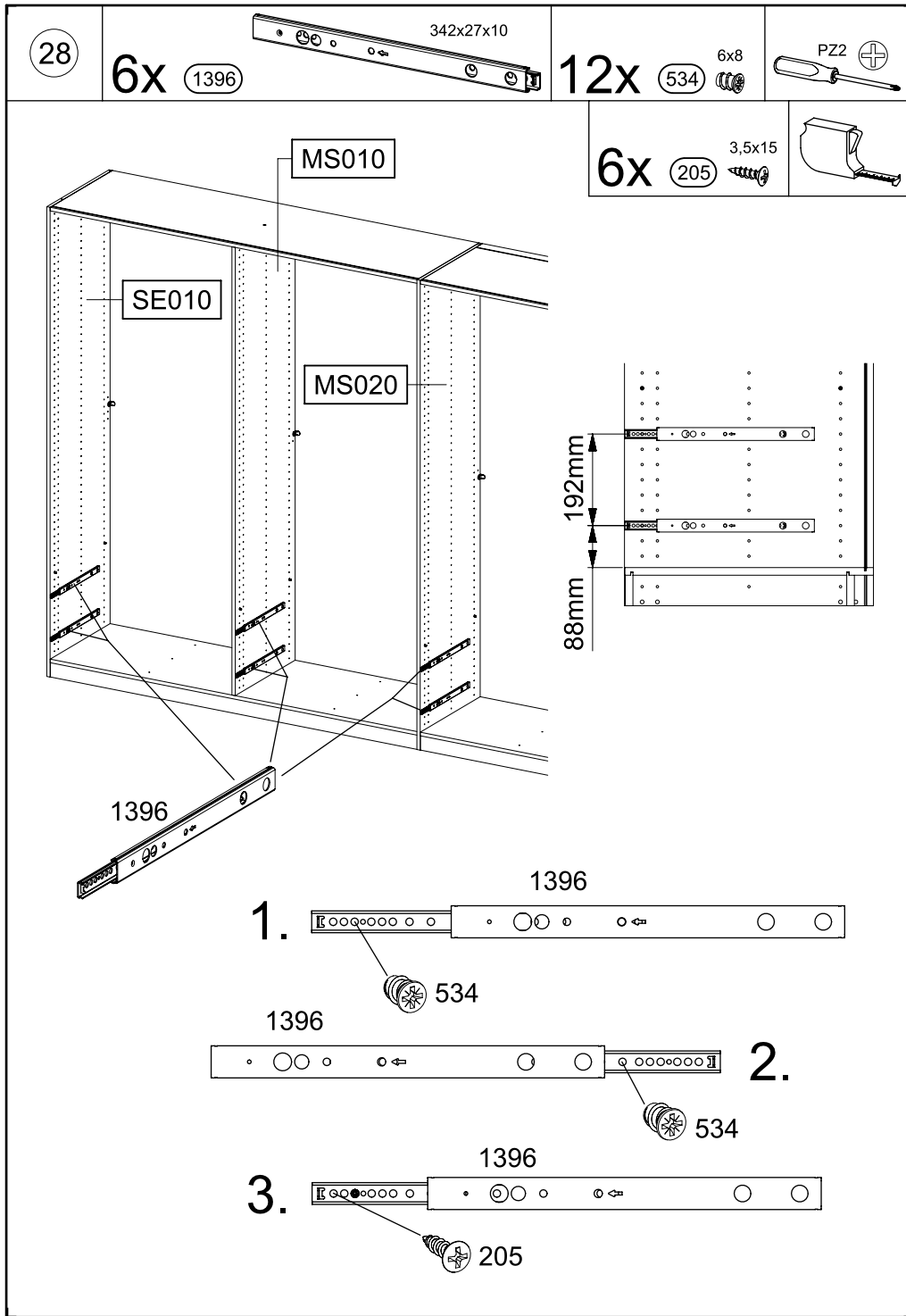
12x (249)

5,0x7,0

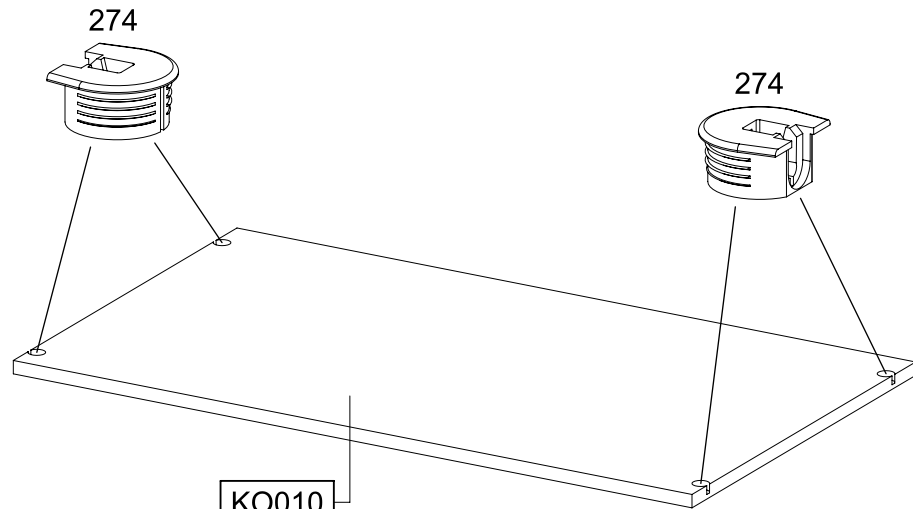
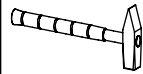



PZ2

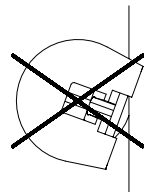
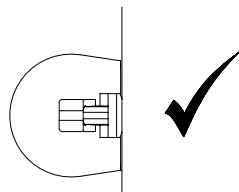
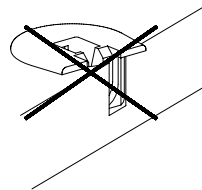
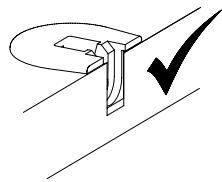




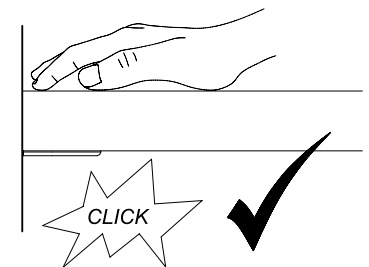
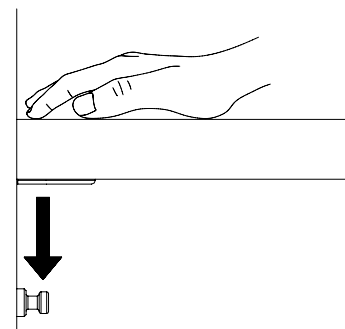
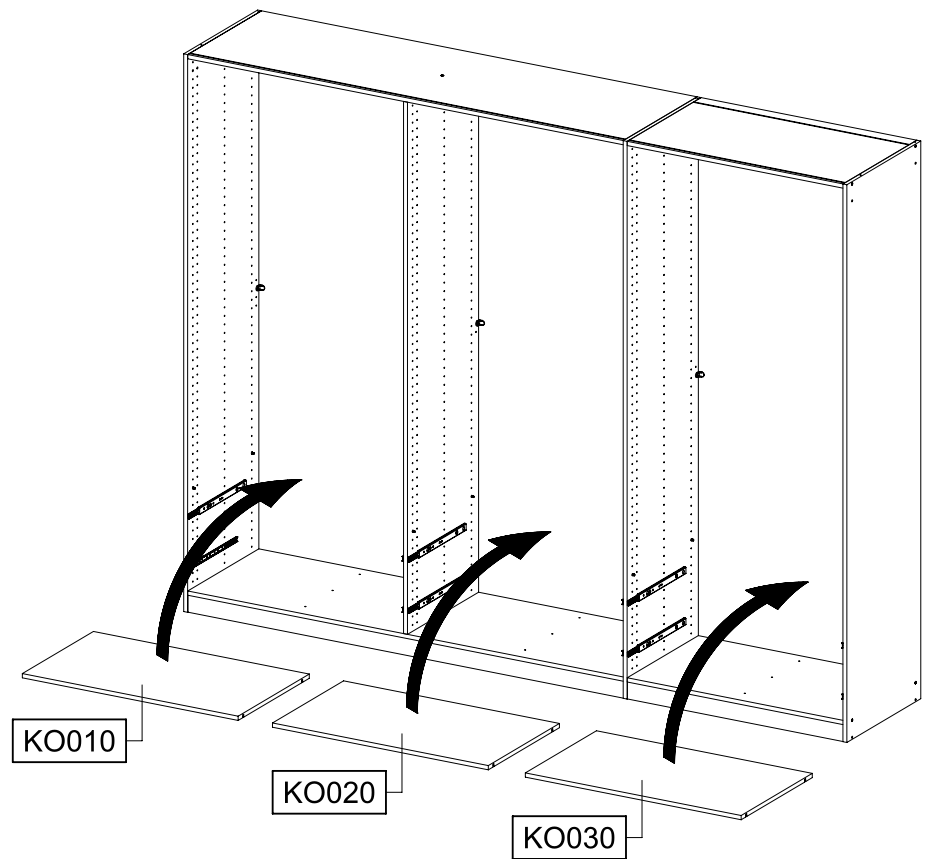
30

12x 

KO010
KO020
KO030



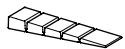
31



32

0-3x 12

55x16x6,2

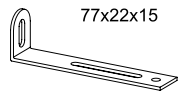


4x 201

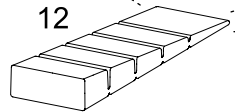
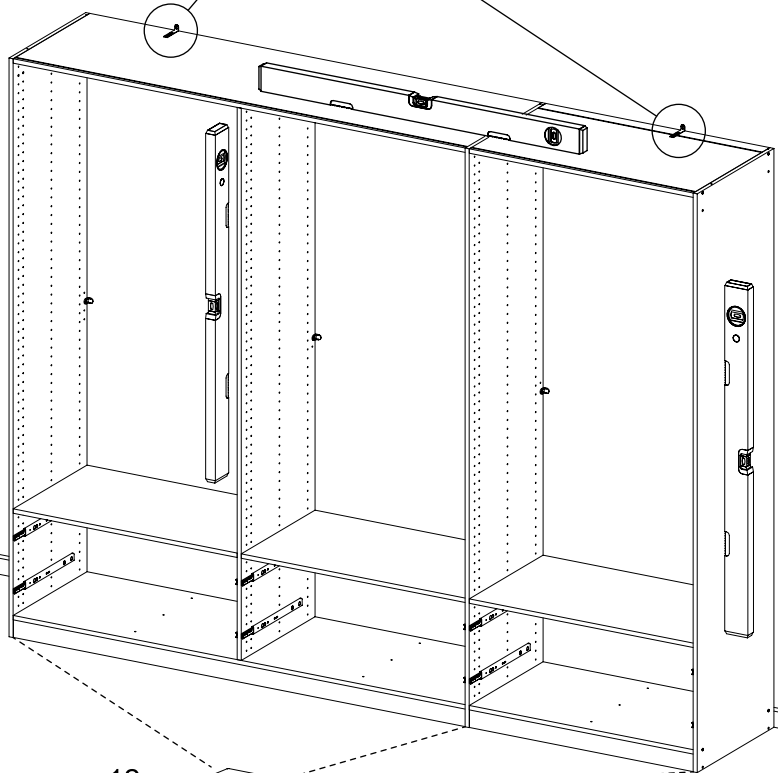
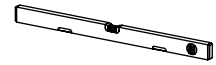
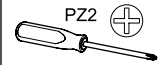
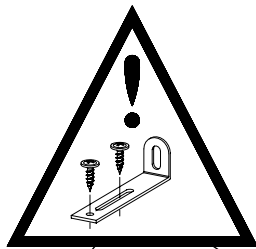
4x15



2x 68



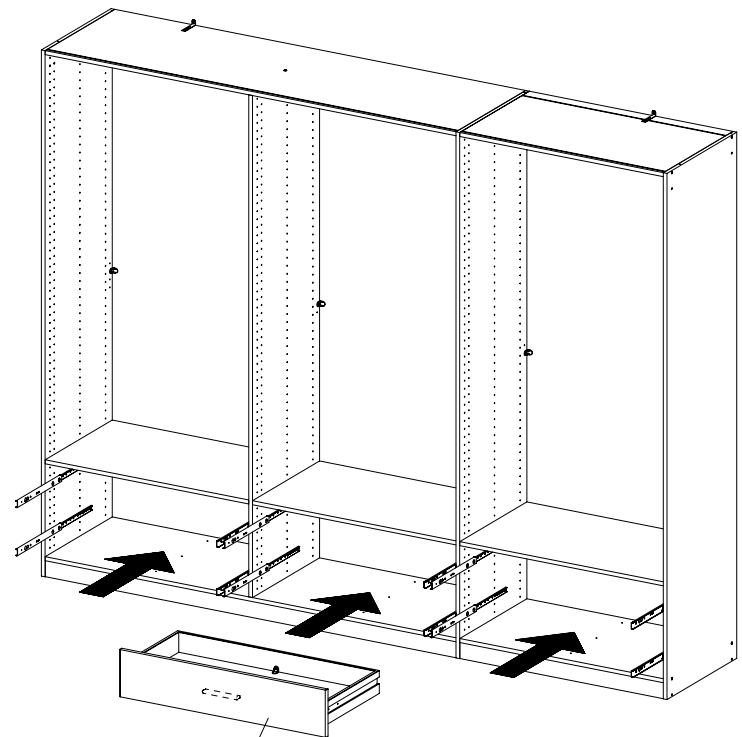
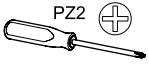
SCAN ME



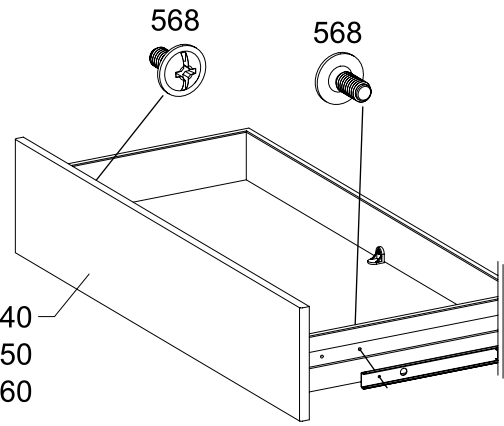
33

12x 568

M4x9



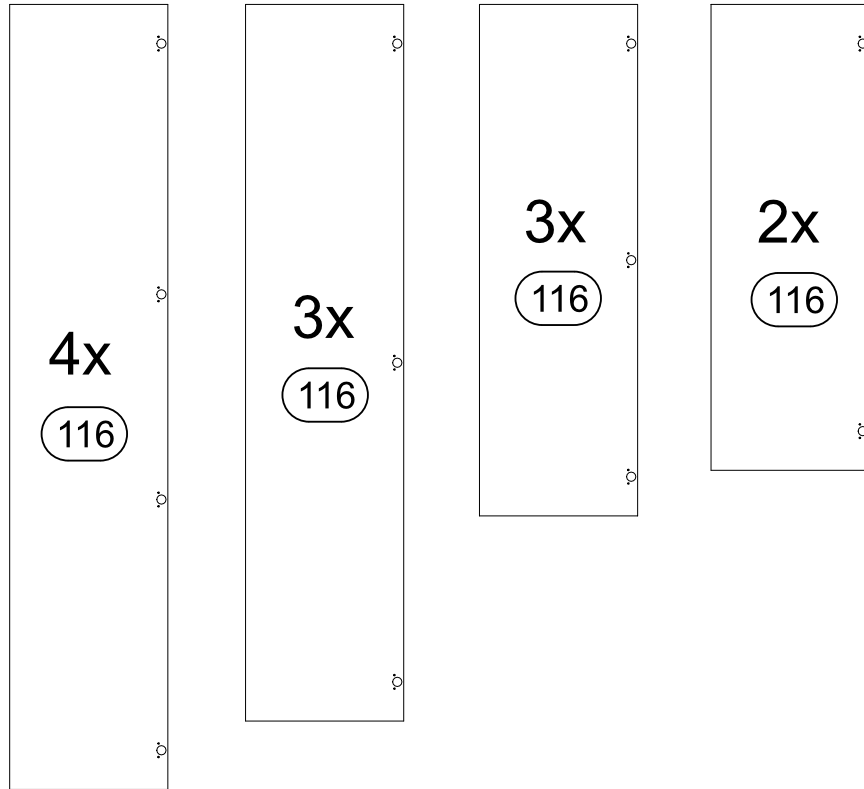
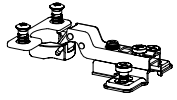
- | | |
|-------|-------|
| SK010 | SK040 |
| SK020 | SK050 |
| SK030 | SK060 |



- SK010 SK040
SK020 SK050
SK030 SK060

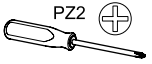
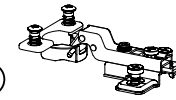
34

116

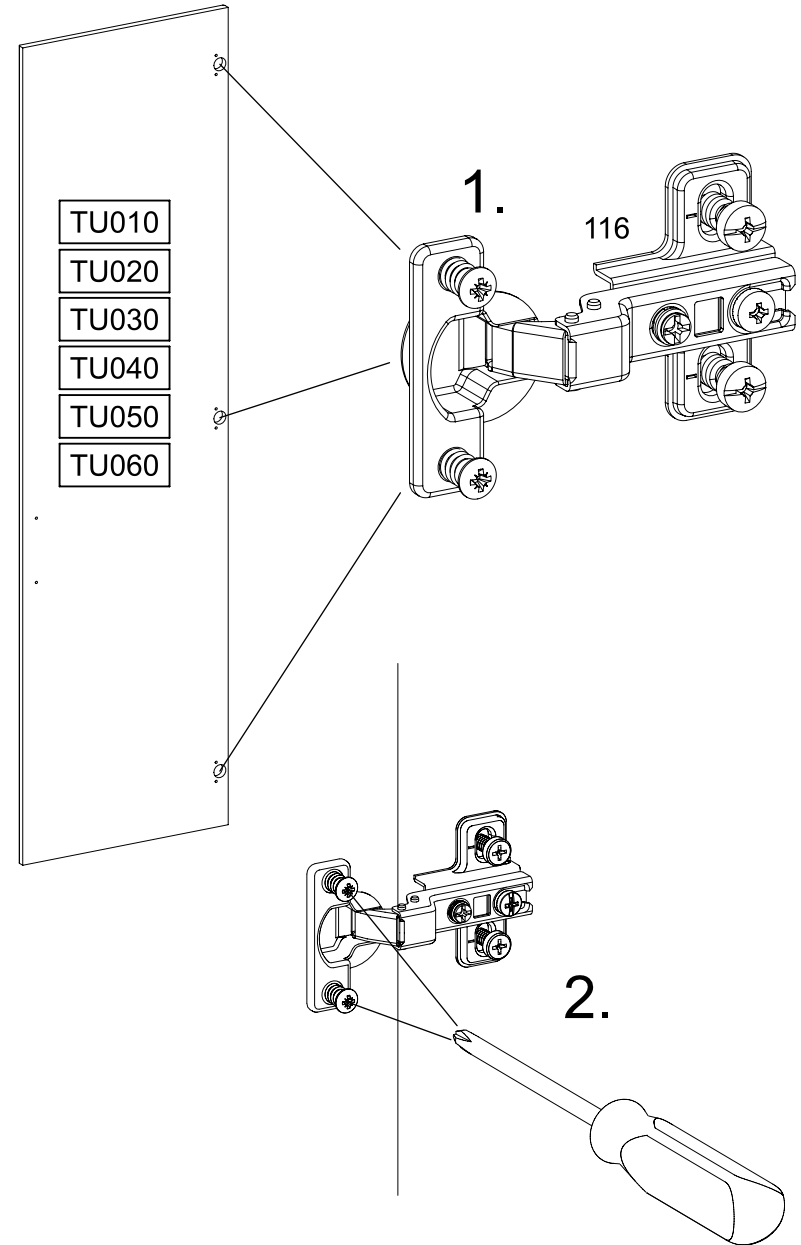


35

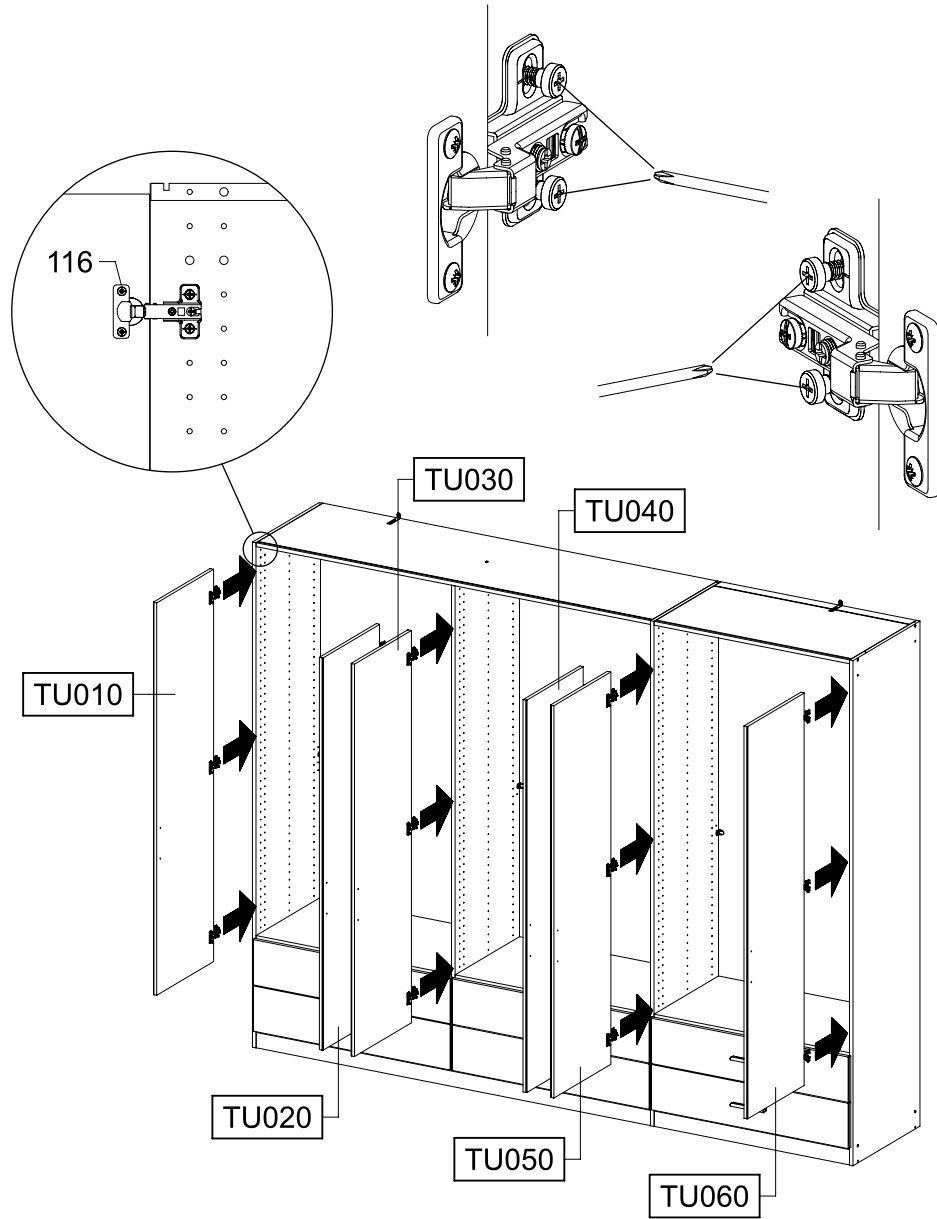
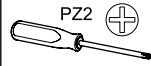
18x 116



SCAN ME

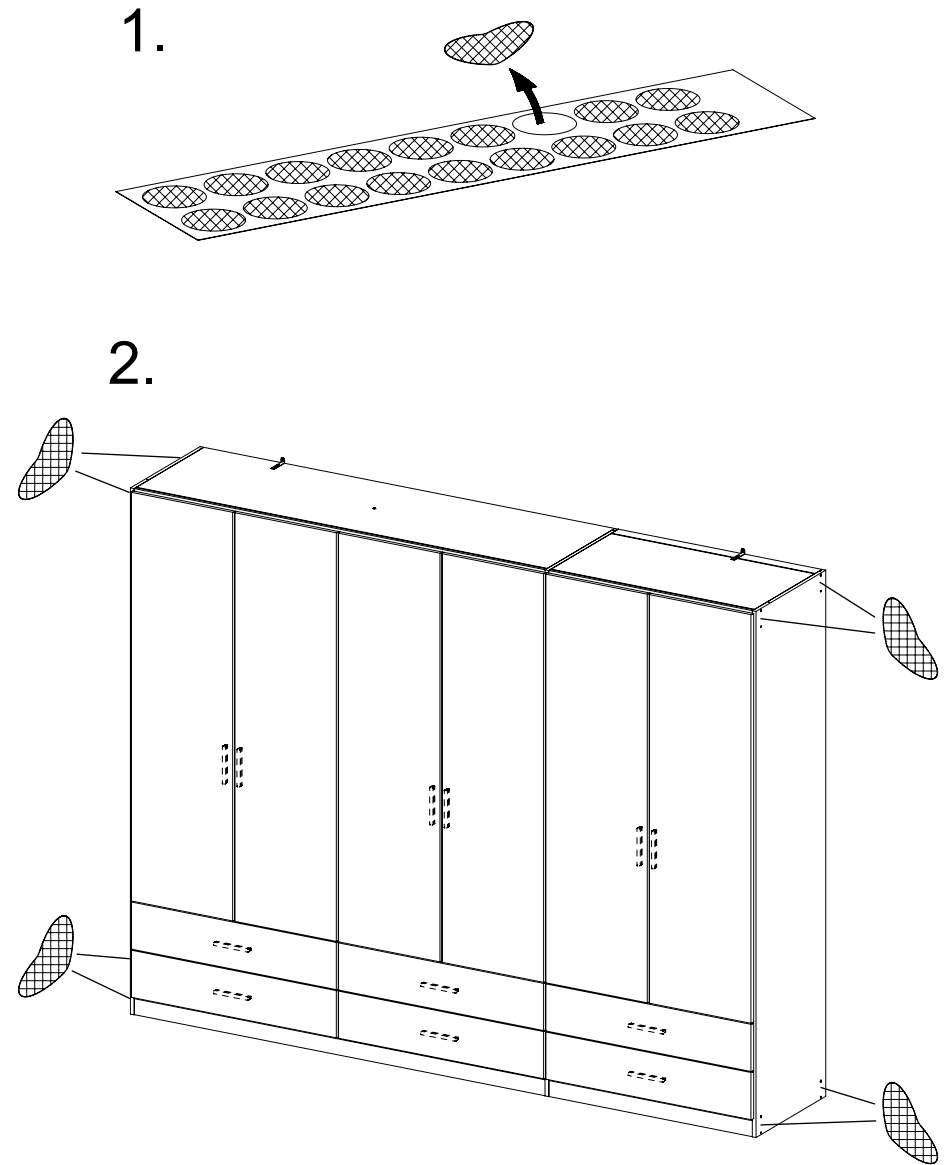
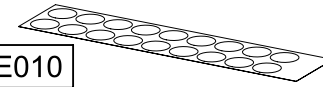


36

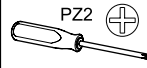


37

1x RE010



38



SCAN ME

