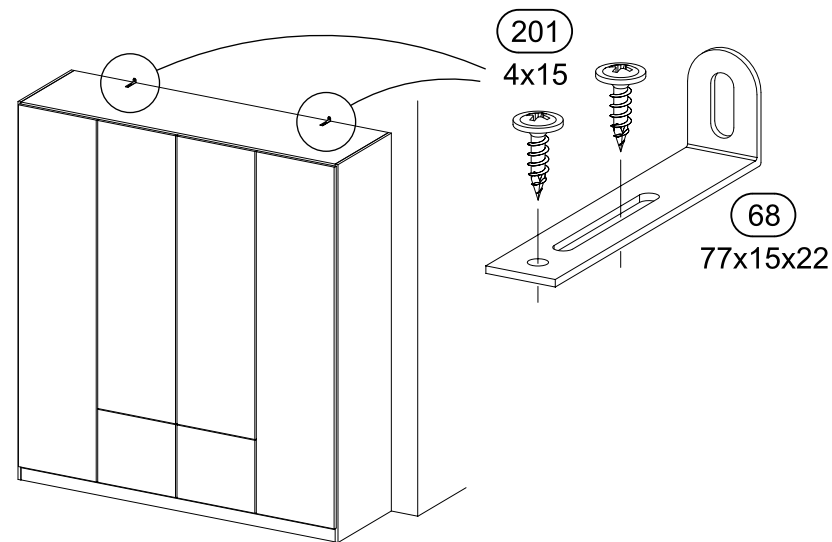
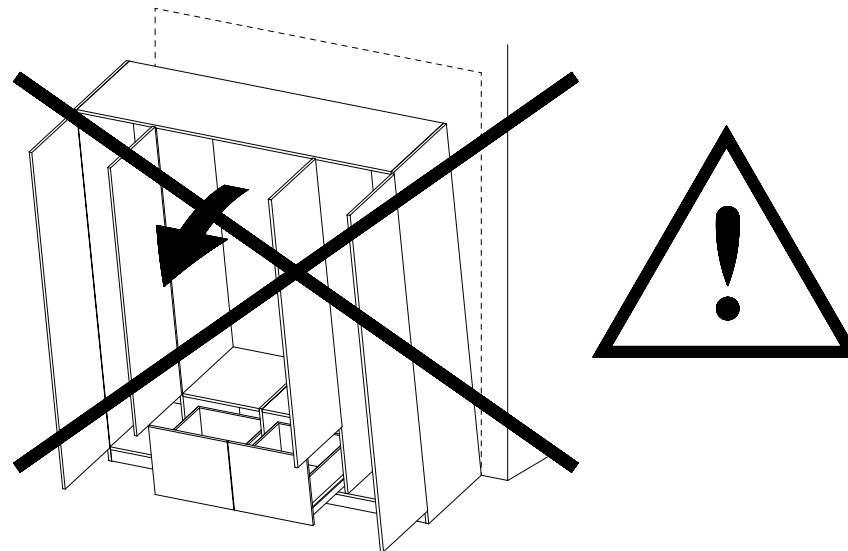
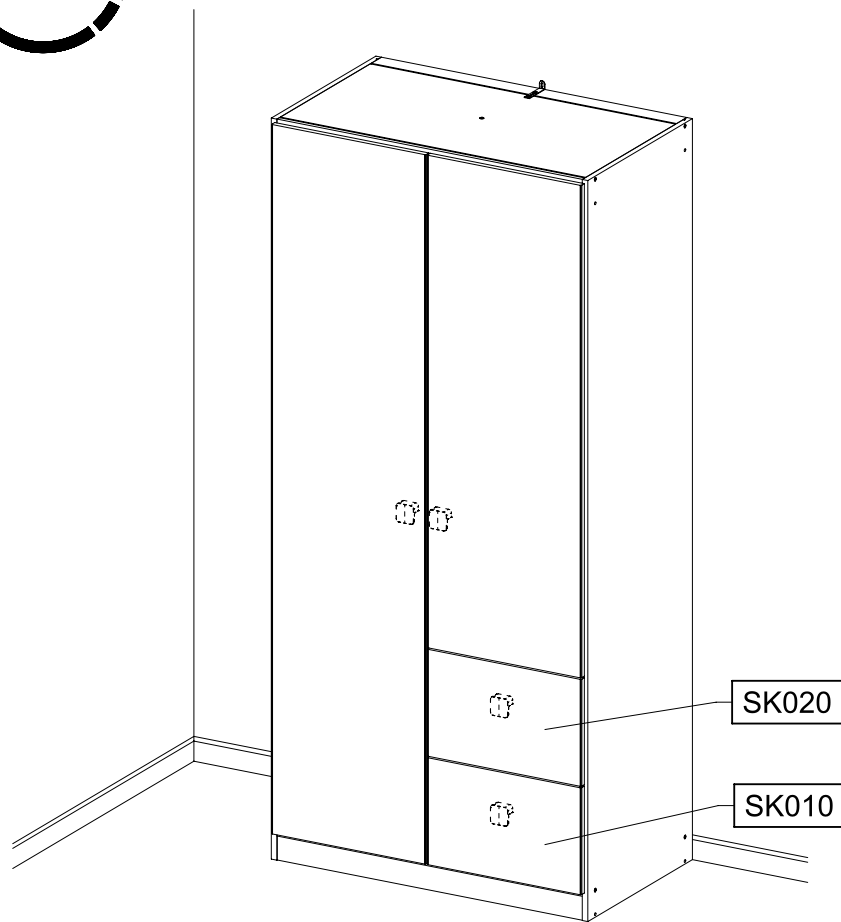
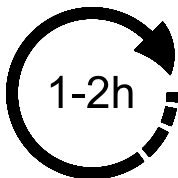
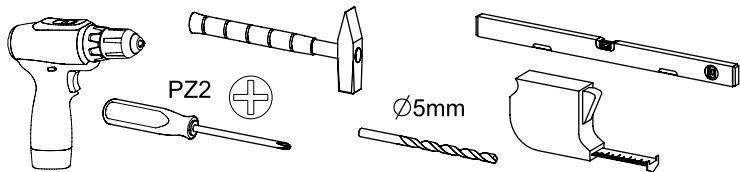


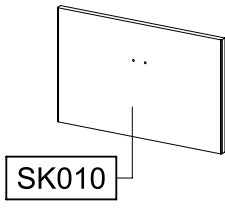
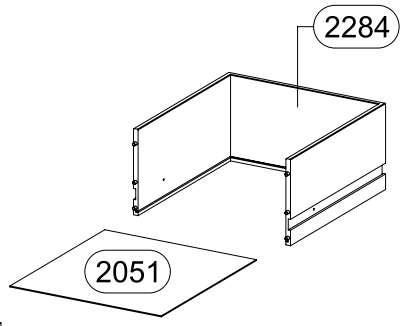
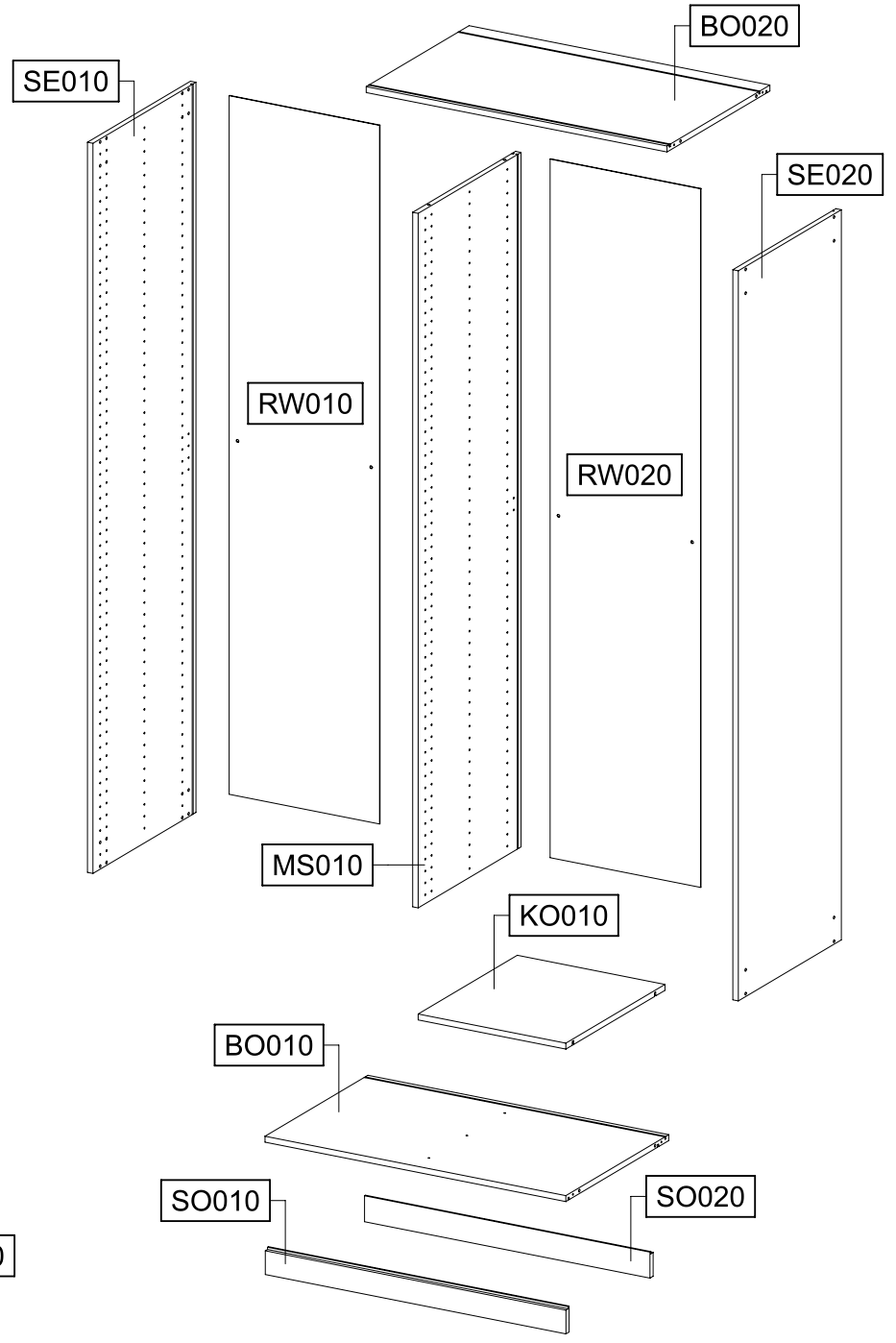
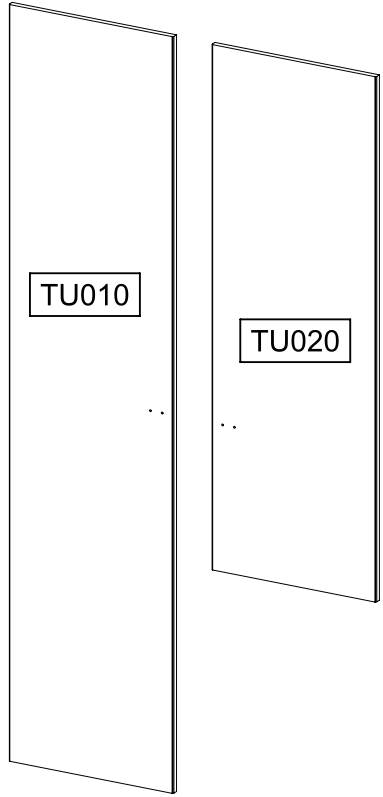
M2872_01



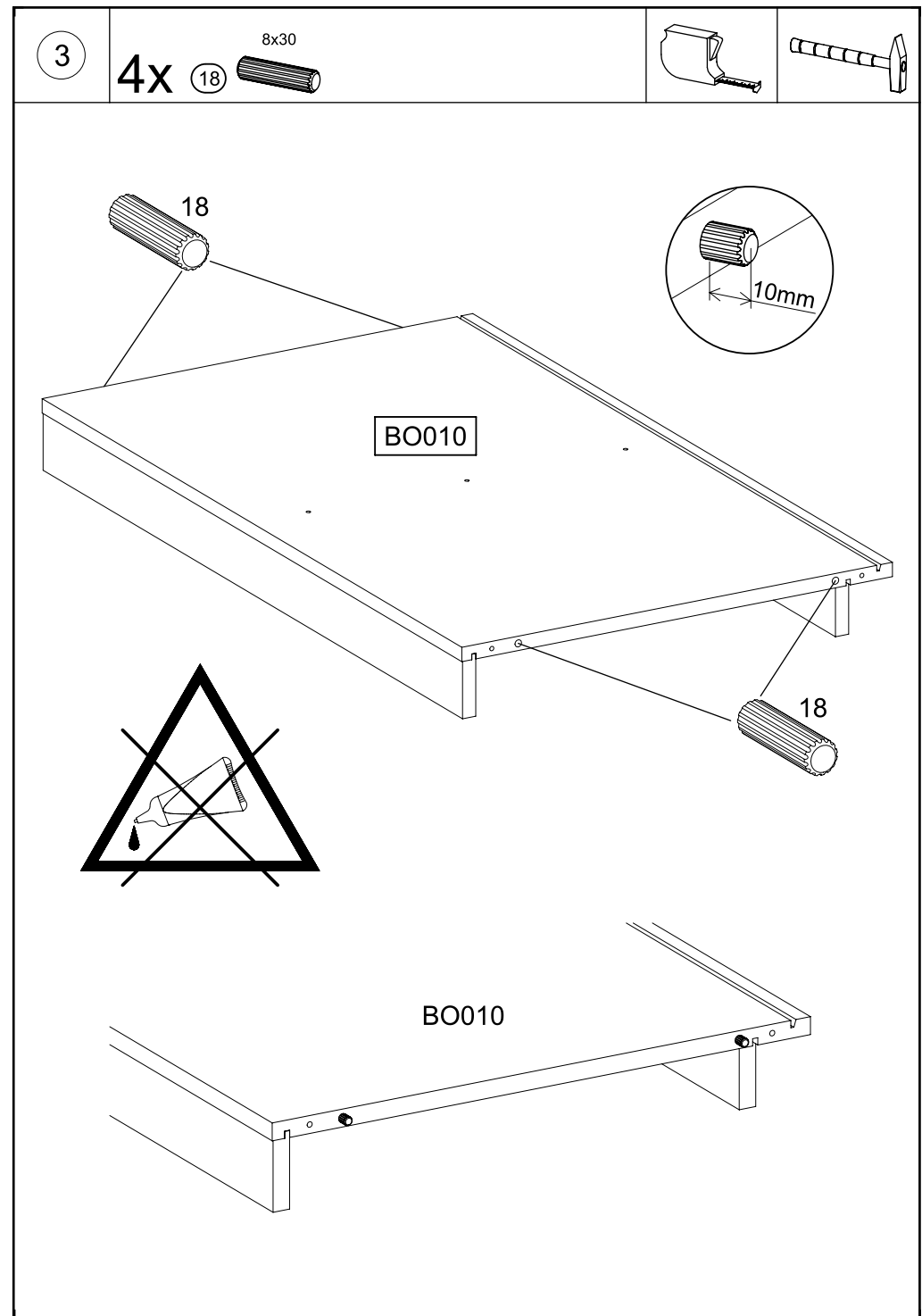
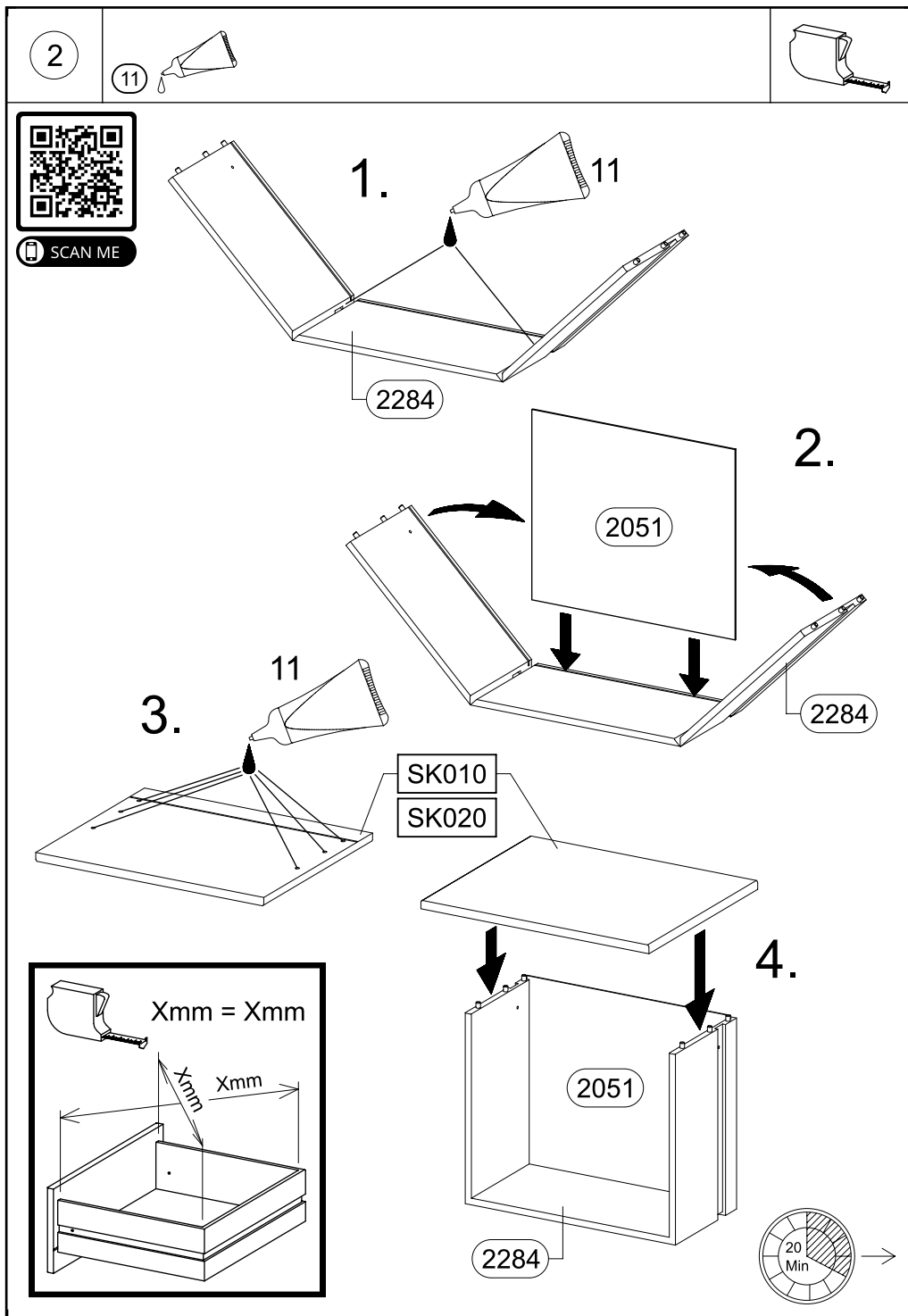
VIDEO

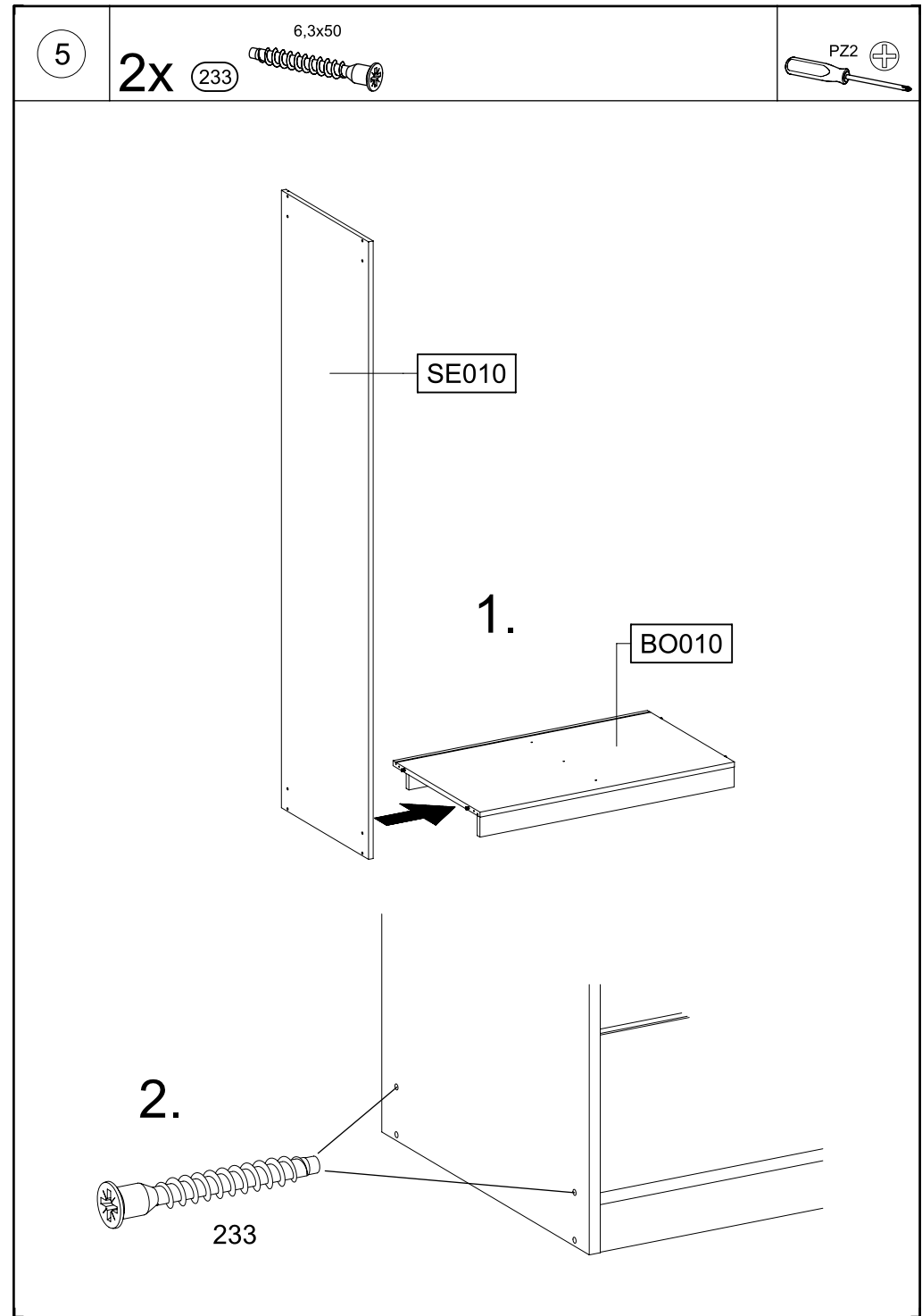
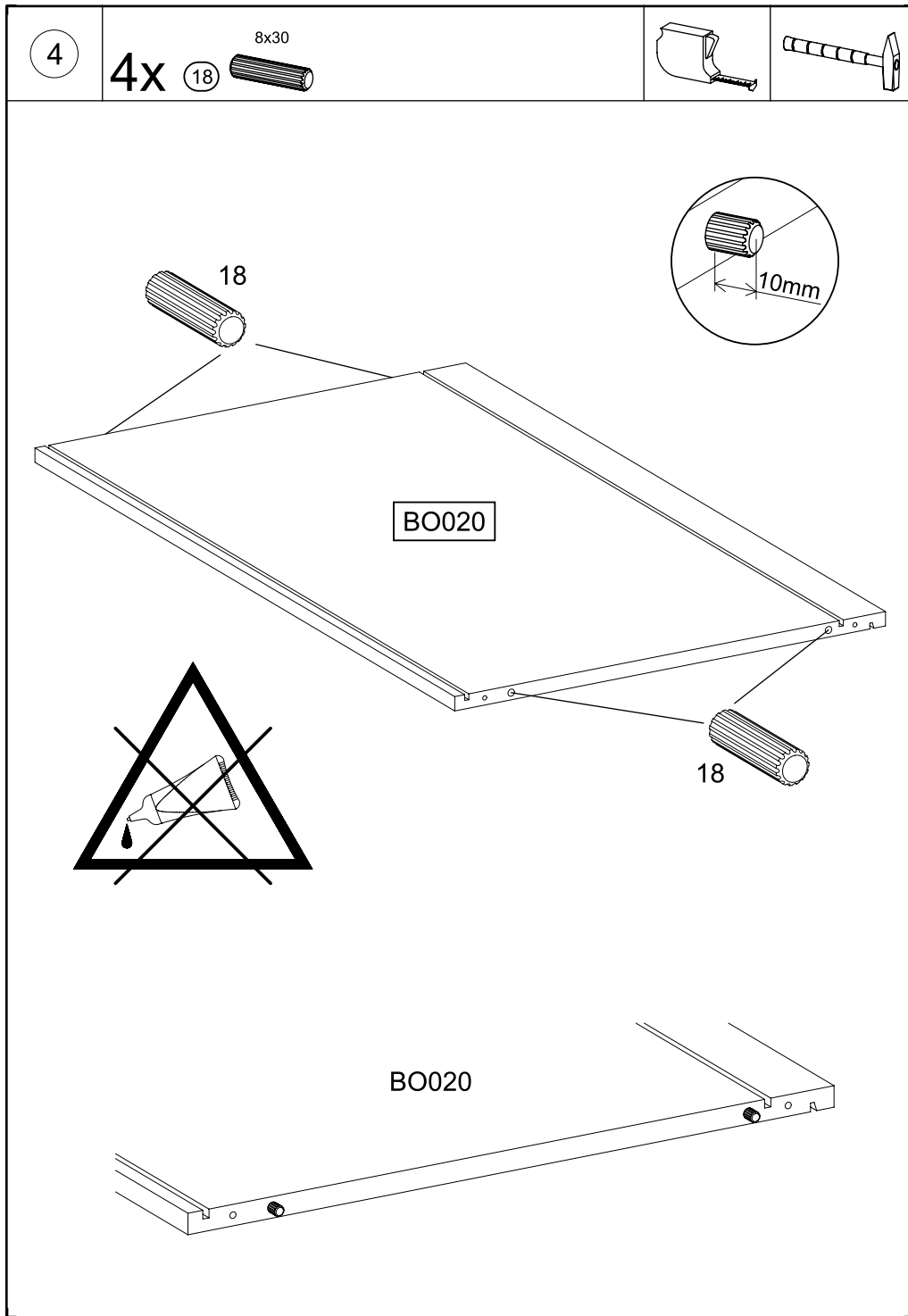


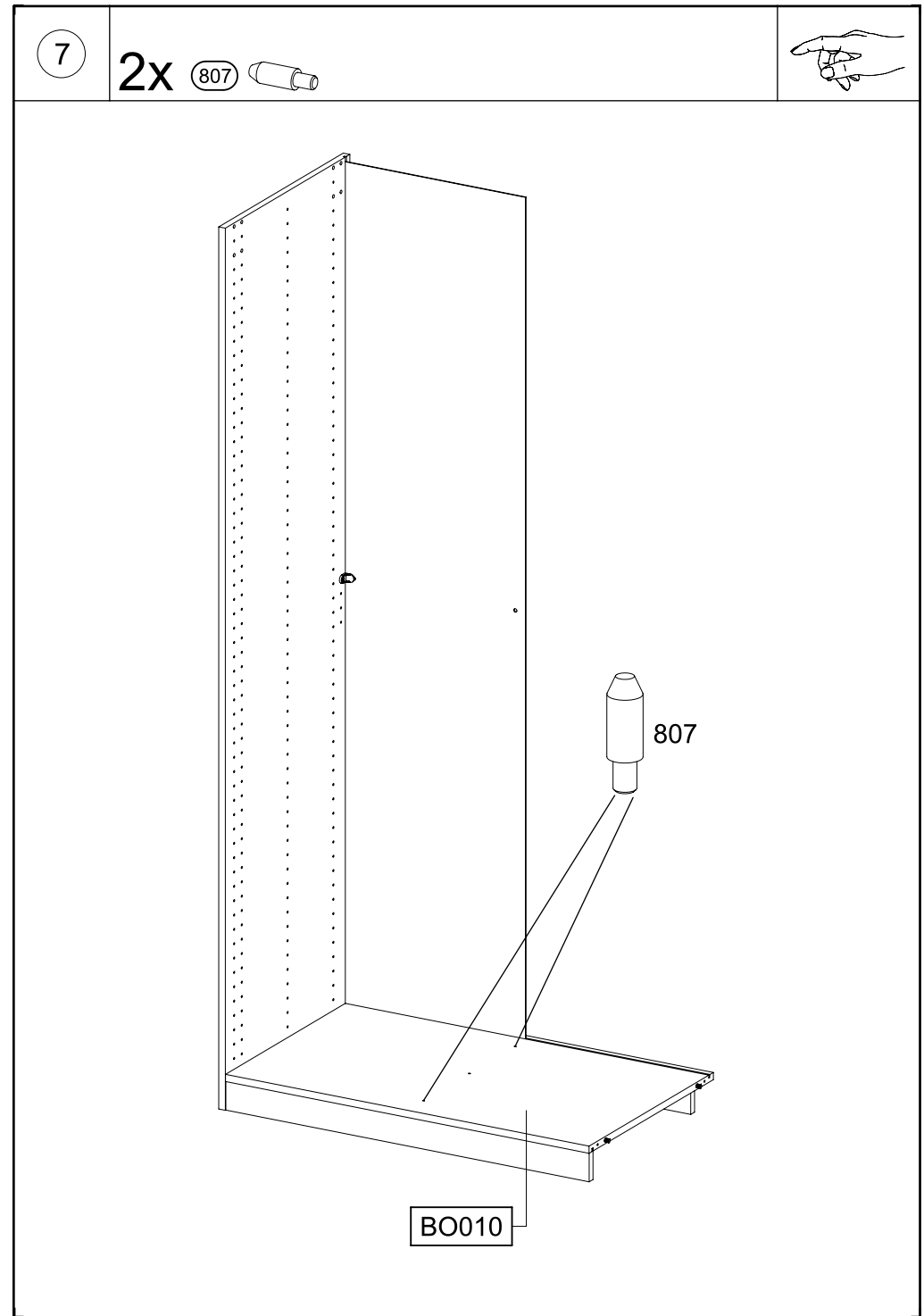
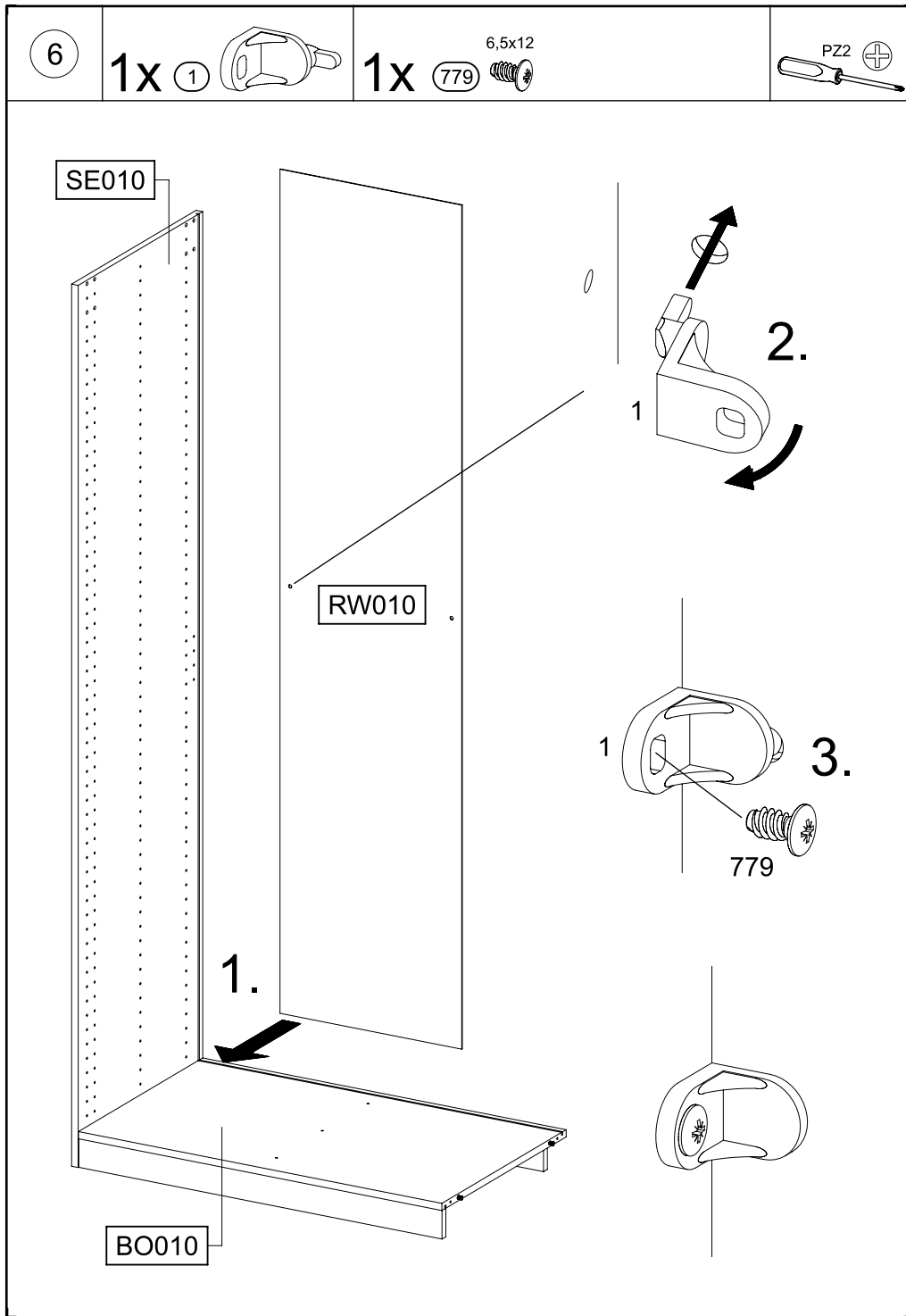
SCAN ME

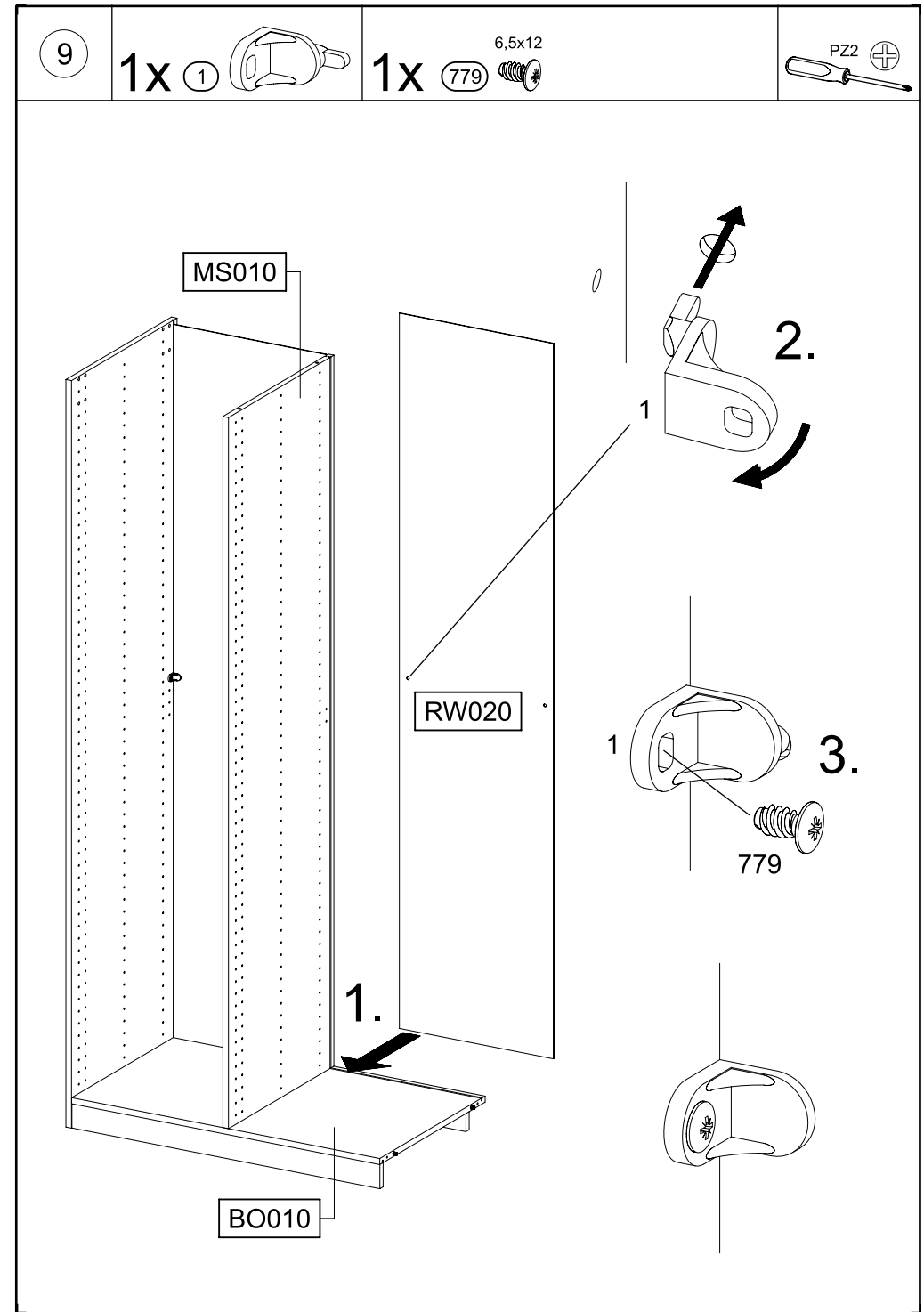
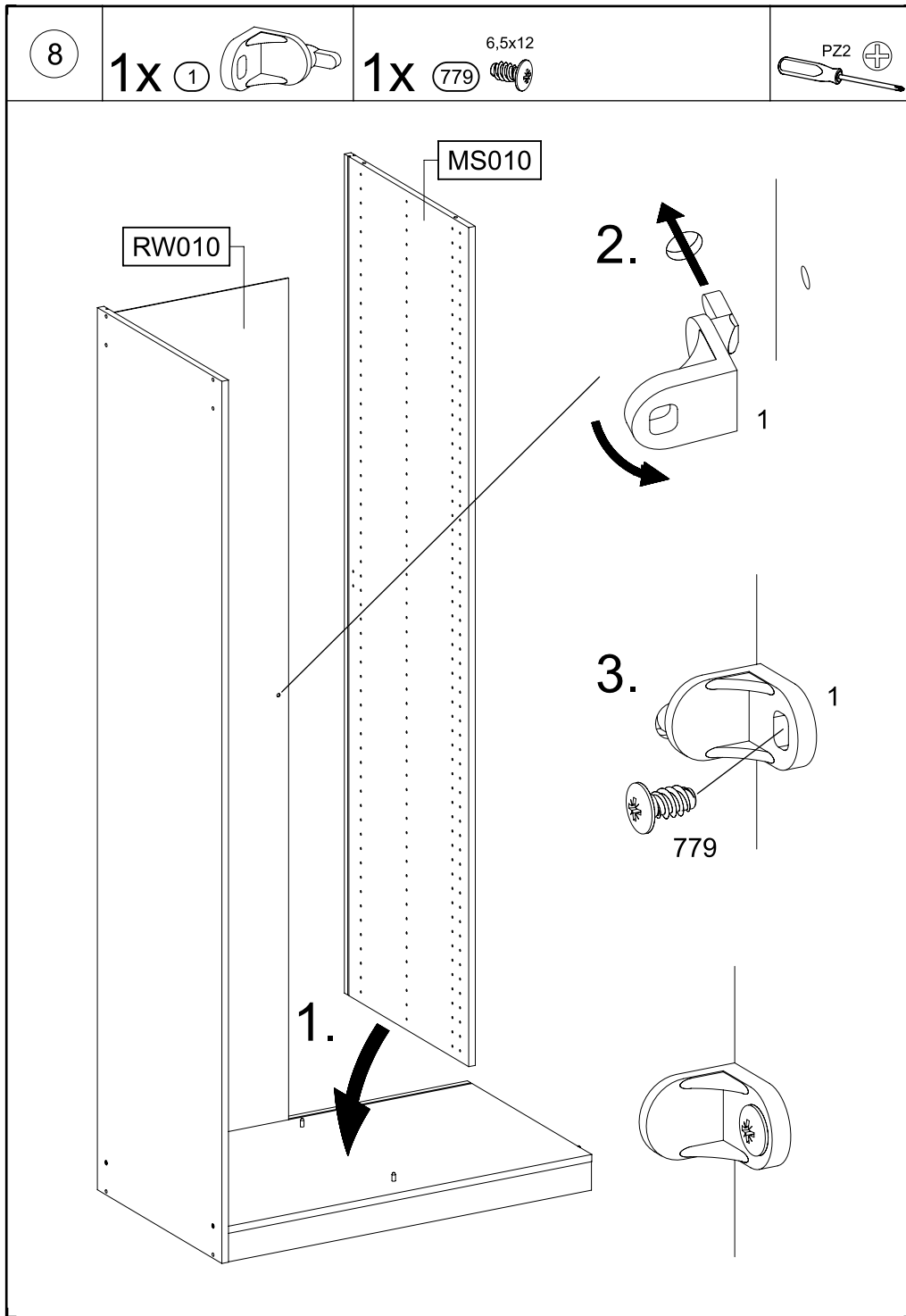


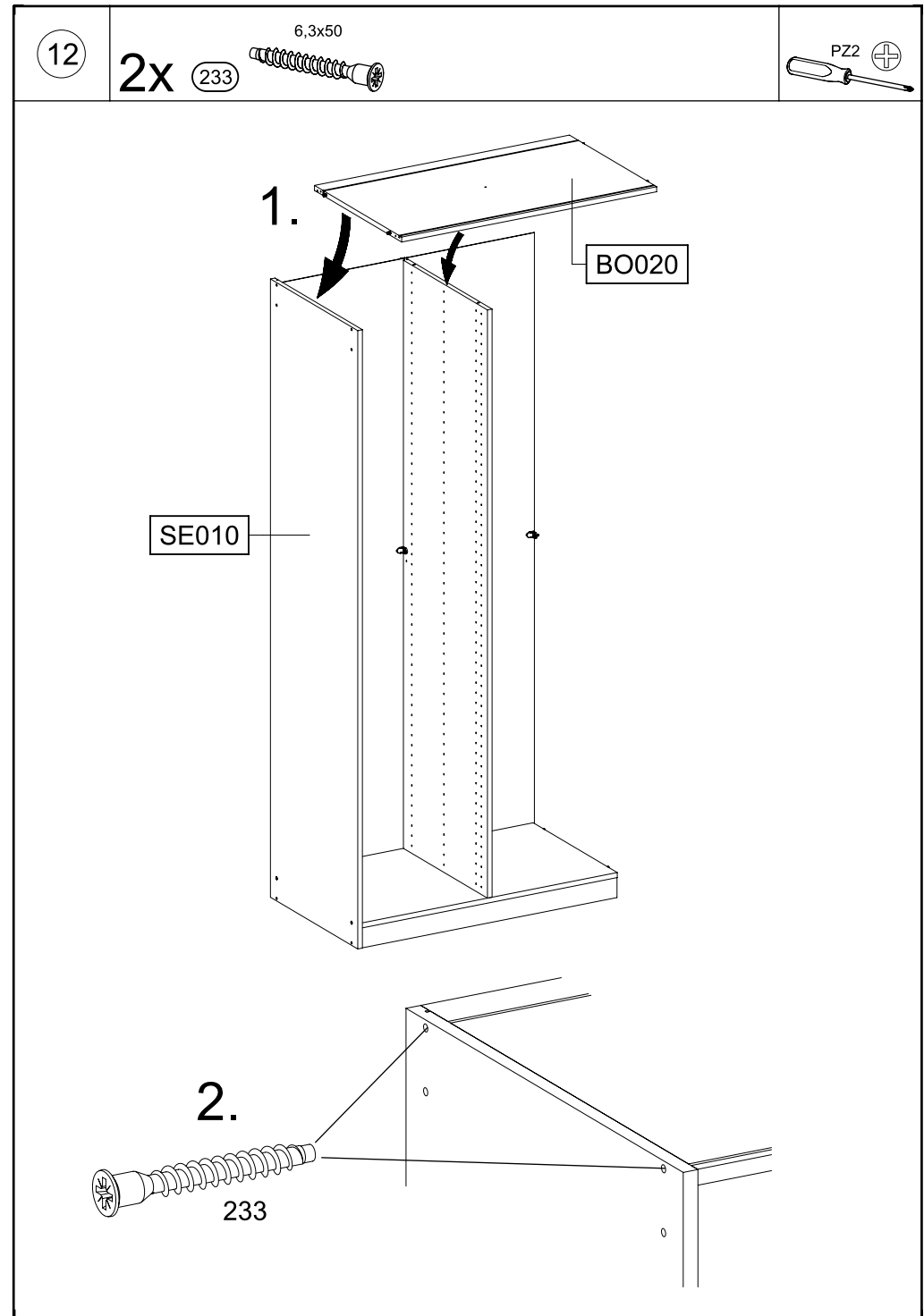
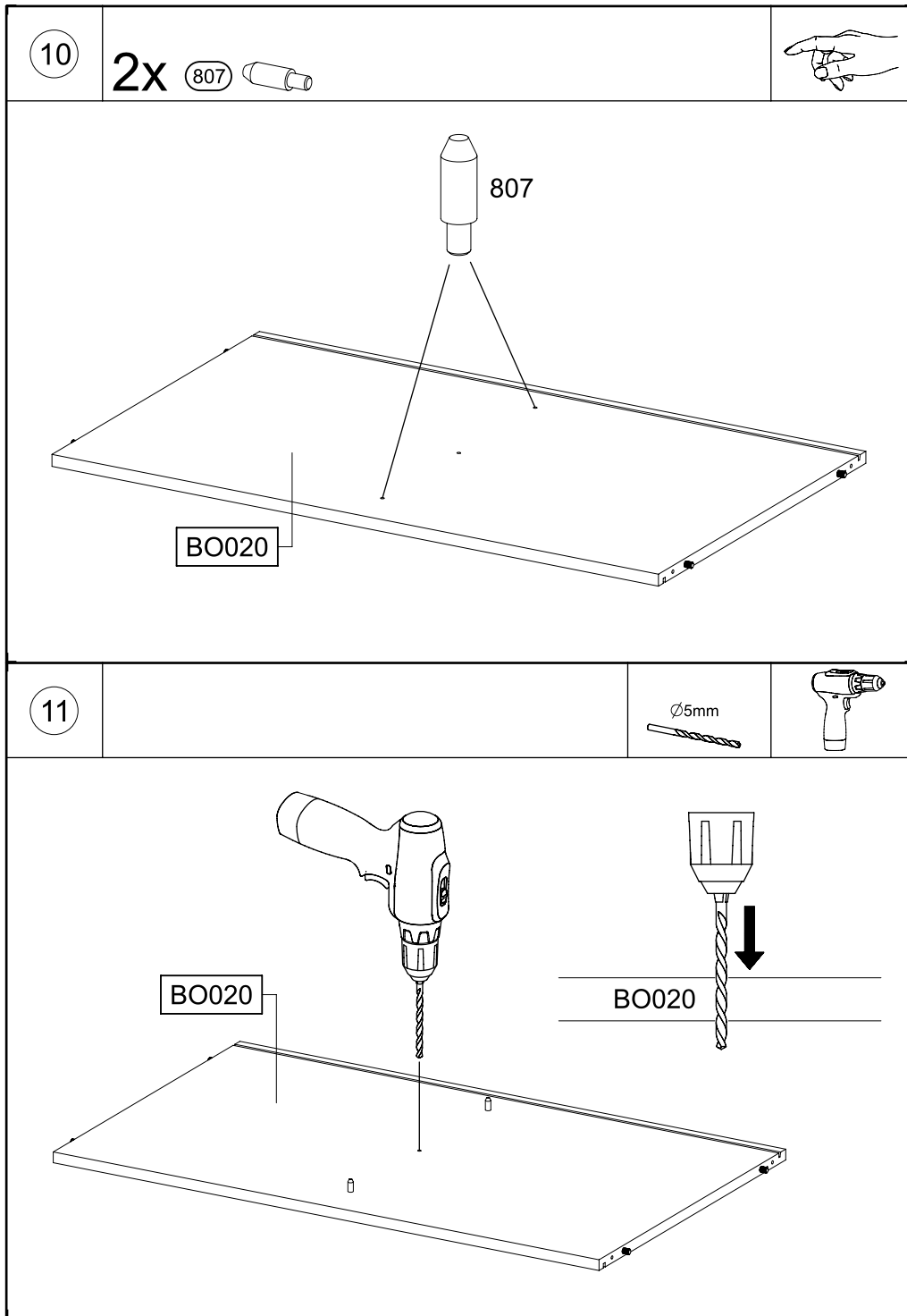
SK010 = SK020





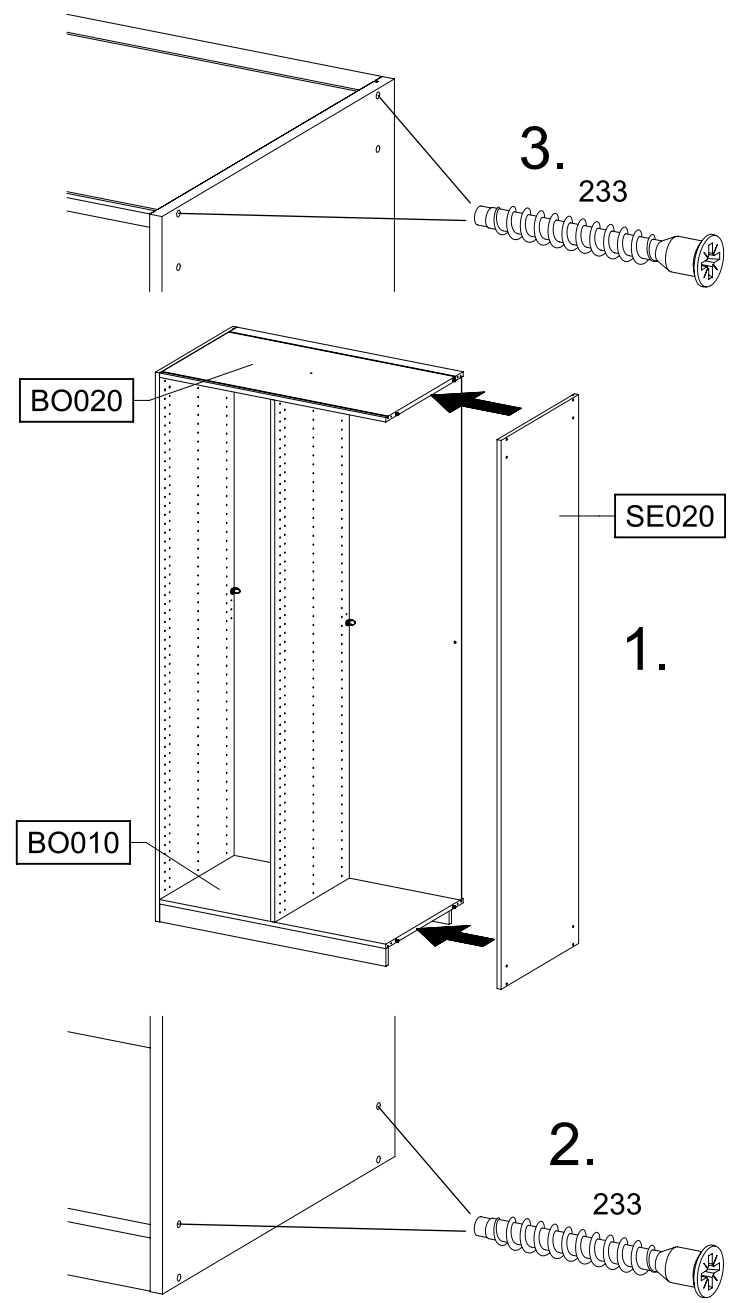
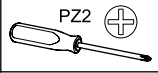
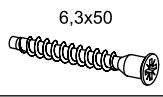






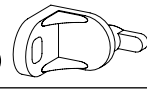
13

4x 233

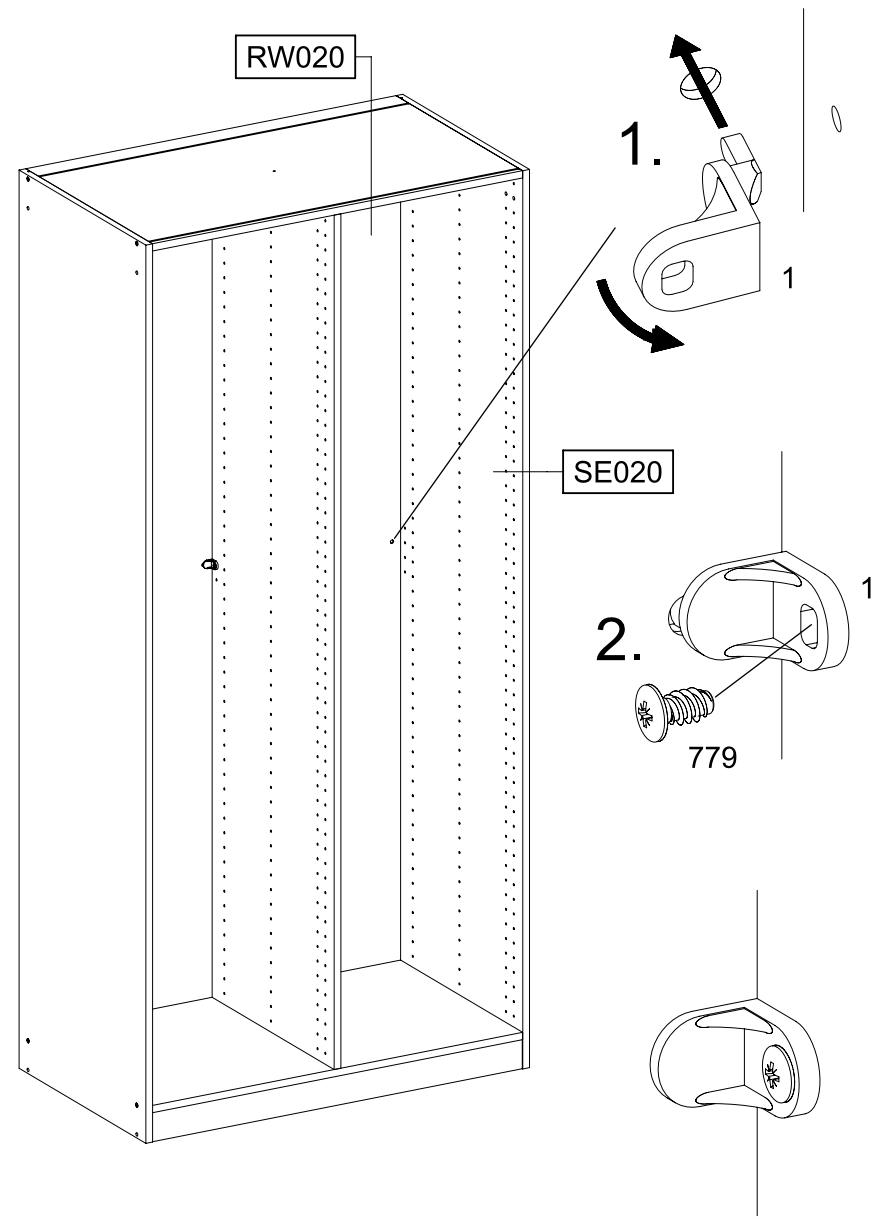
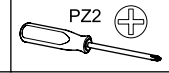


14

1x 1

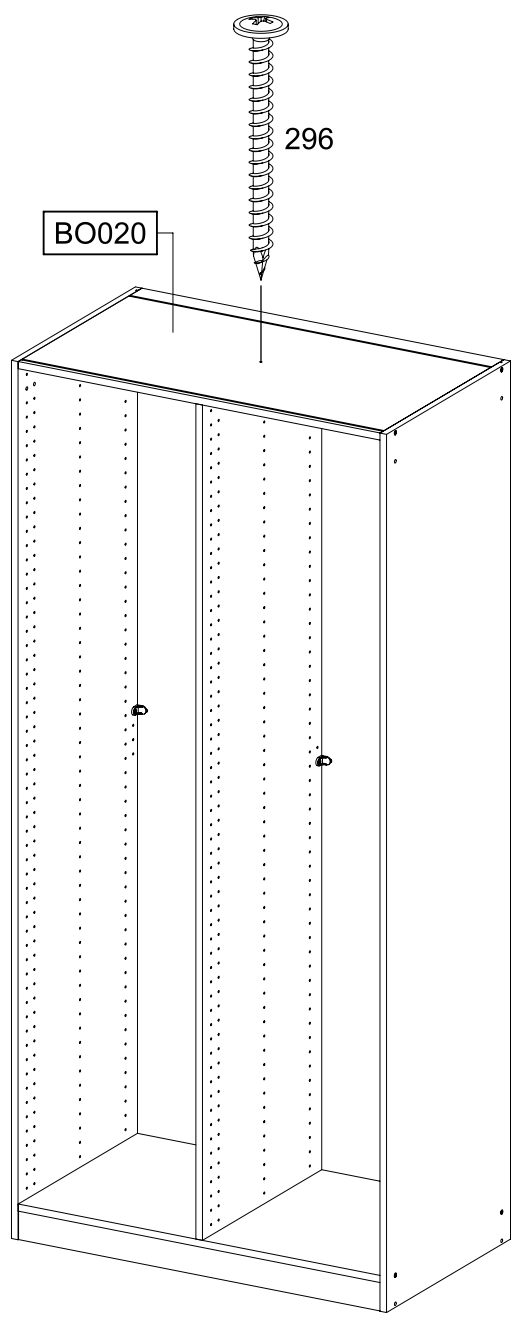
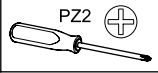
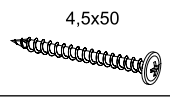


1x 779



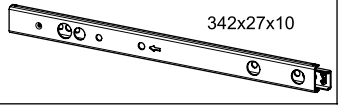
15

1x 296



16

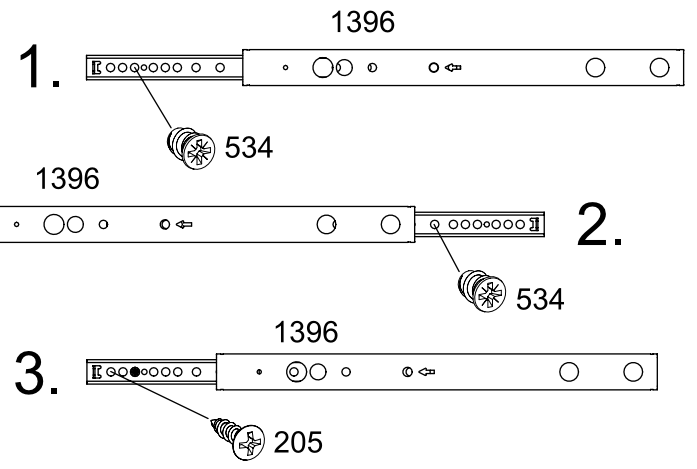
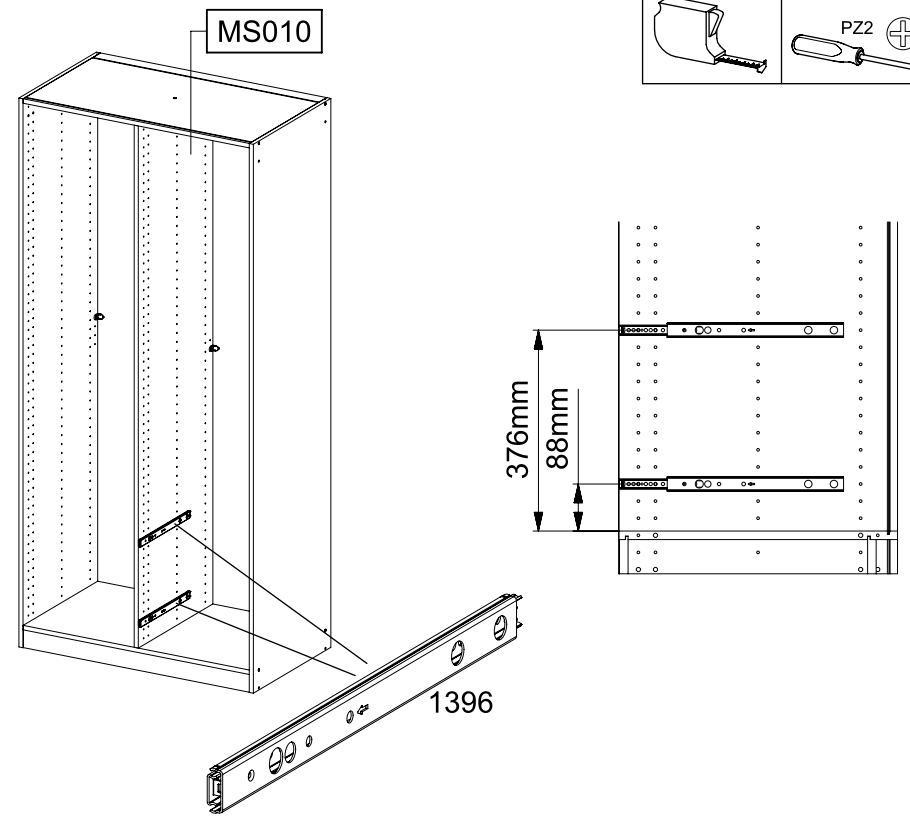
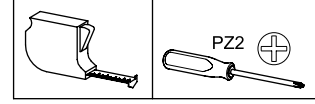
2x 1396



4x 534

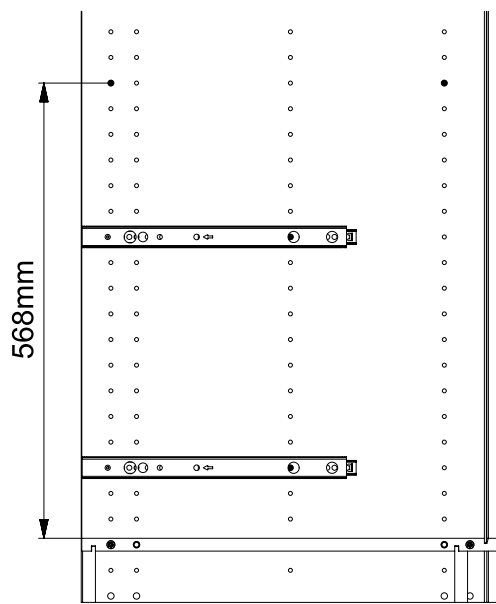
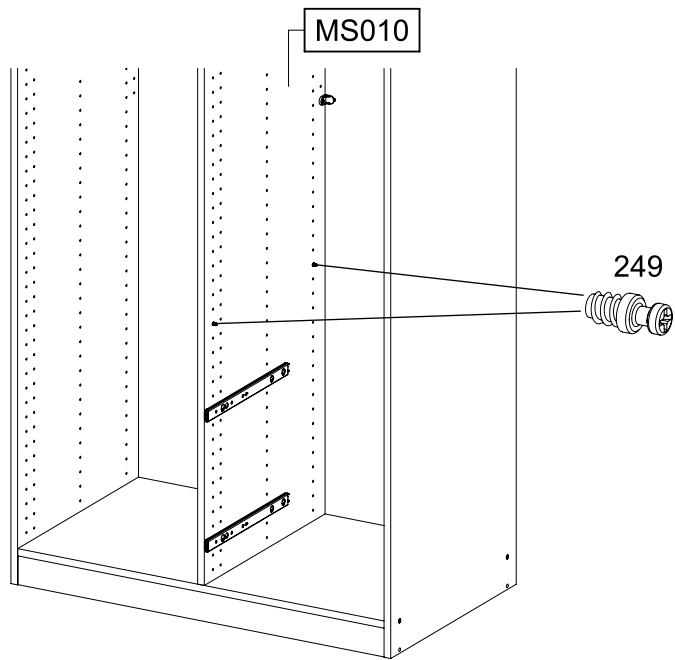
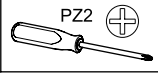


2x 205



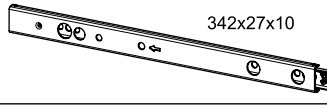
17

2x 249 5,0x7,0



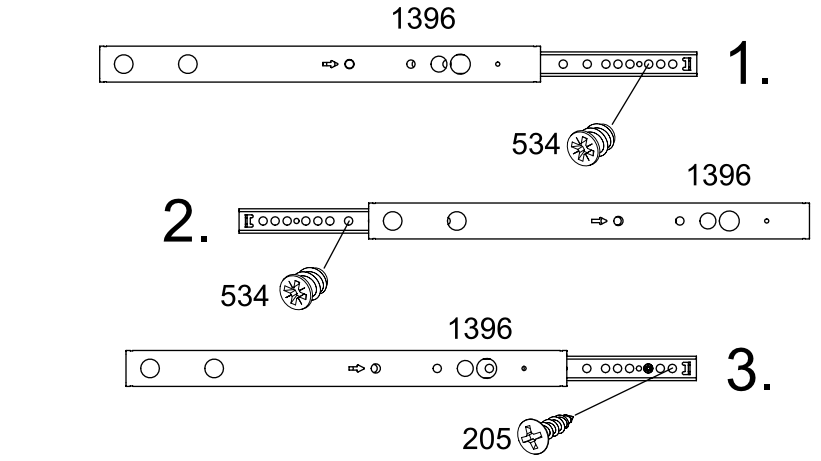
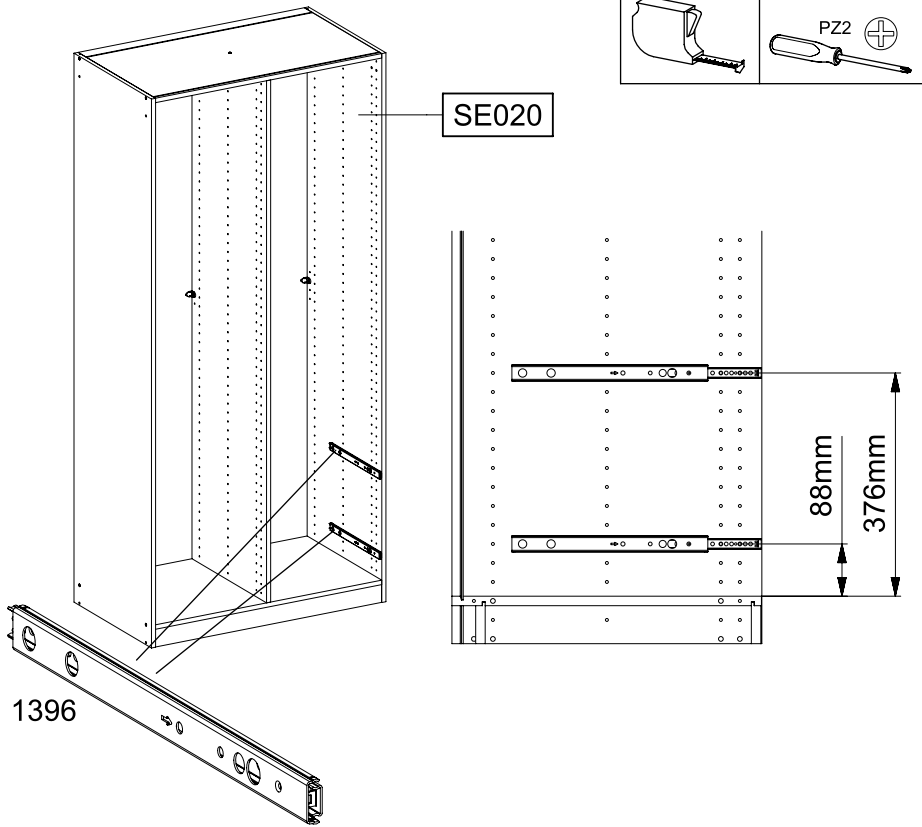
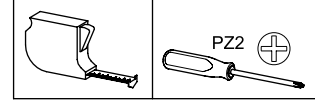
18

2x 1396



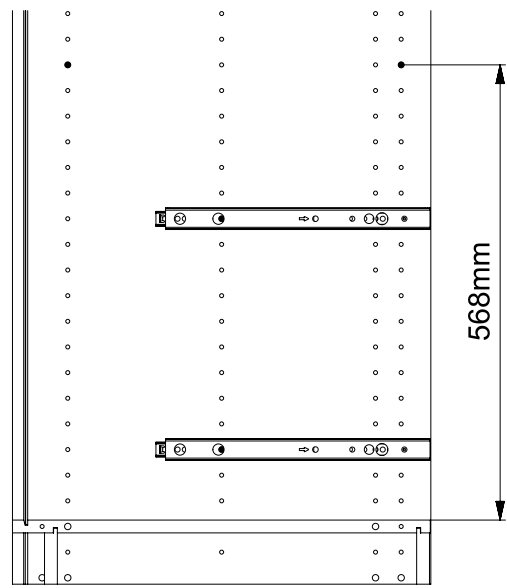
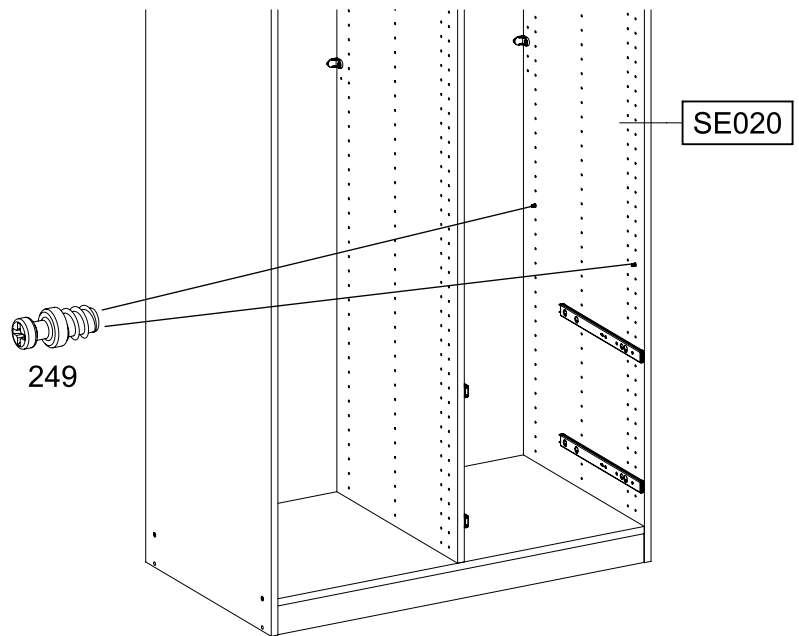
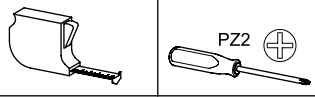
4x 534 6x8

2x 205 3,5x15



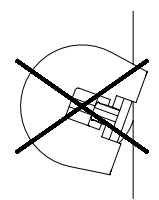
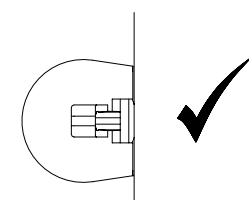
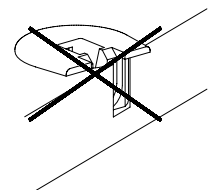
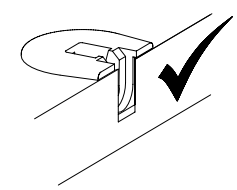
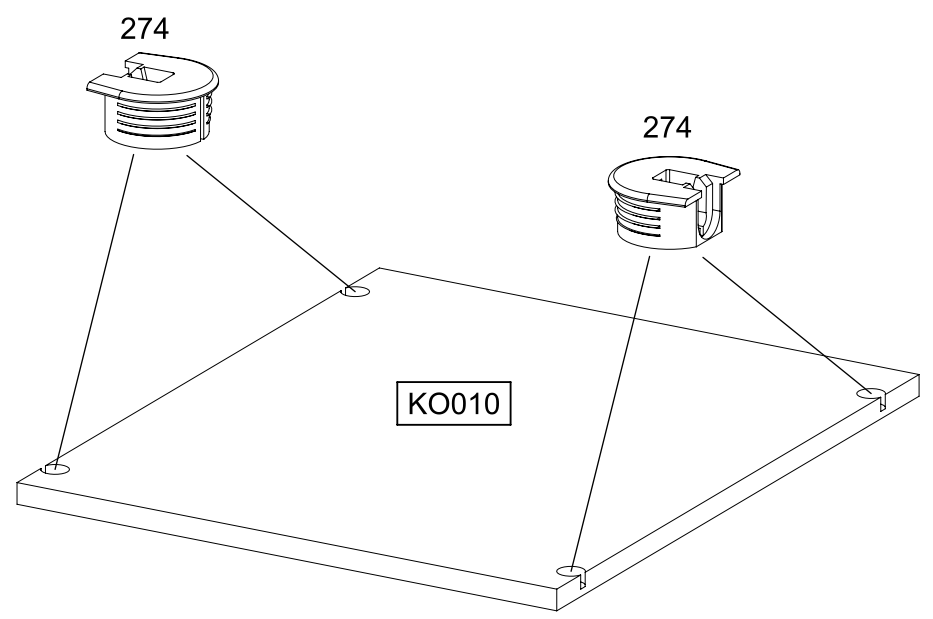
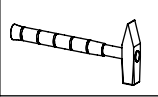
19

2x 249 5,0x7,0



20

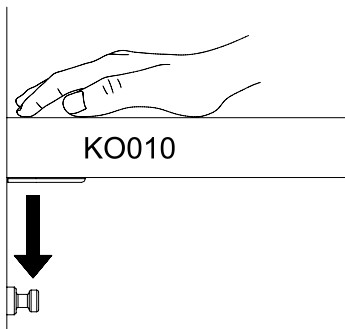
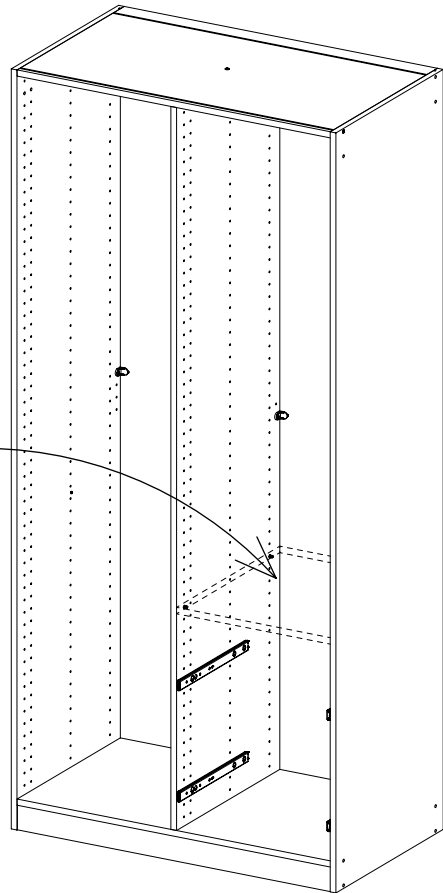
4x 274



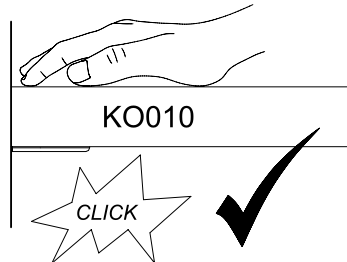
21



KO010



KO010



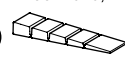
KO010

22

2x

12

55x16x6,2



2x

201

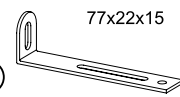
4x15



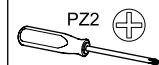
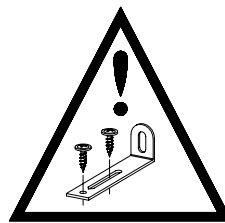
2x

68

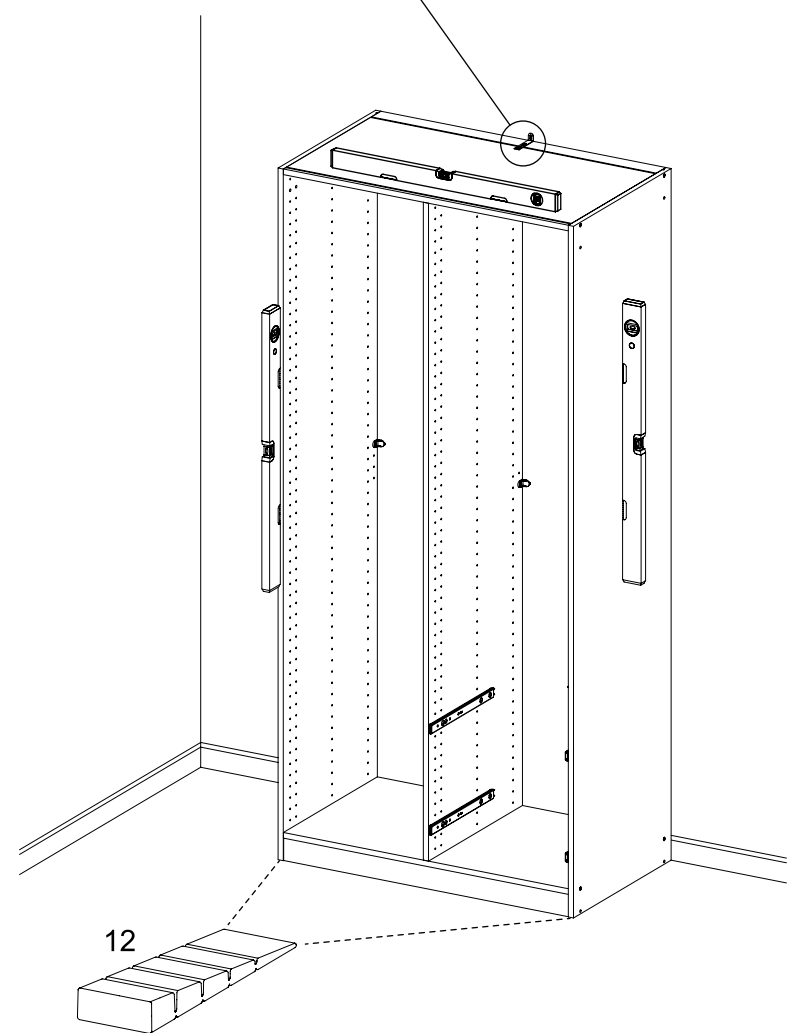
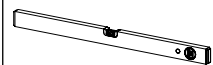
77x22x15



SCAN ME



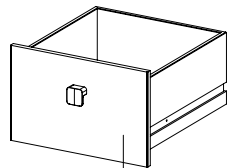
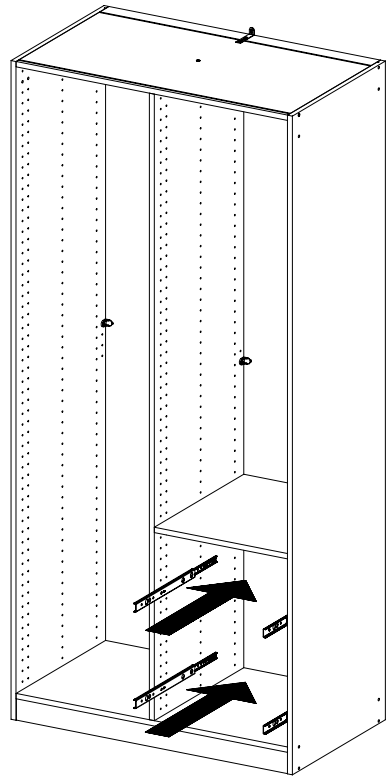
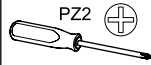
PZ2



12

23

4x M4x9 568



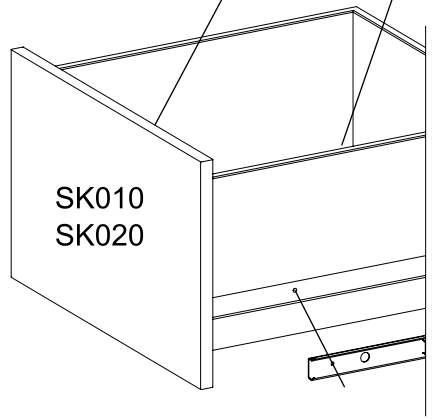
SK010

SK020

568

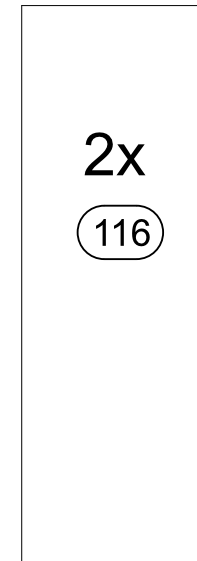
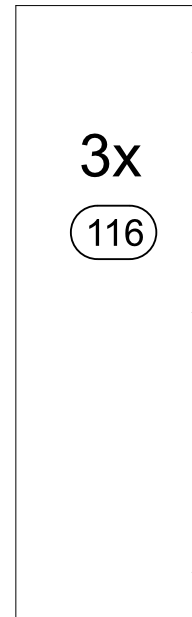
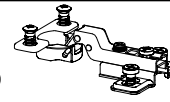


568



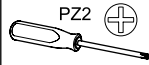
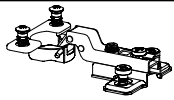
24

116

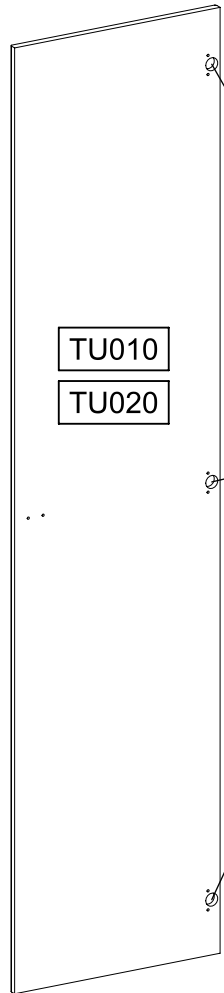


25

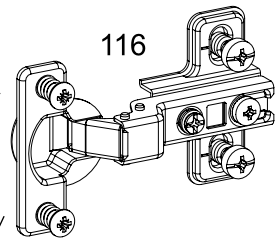
5-7x 116



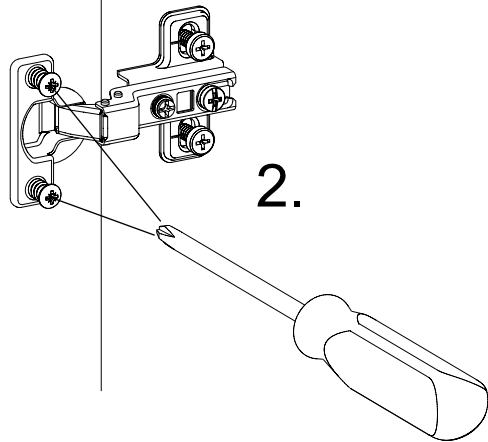
SCAN ME



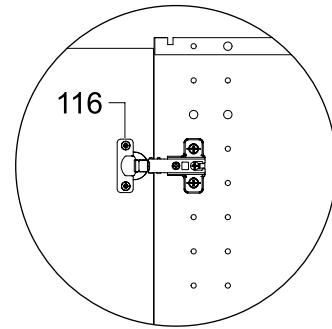
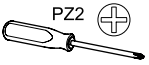
1.



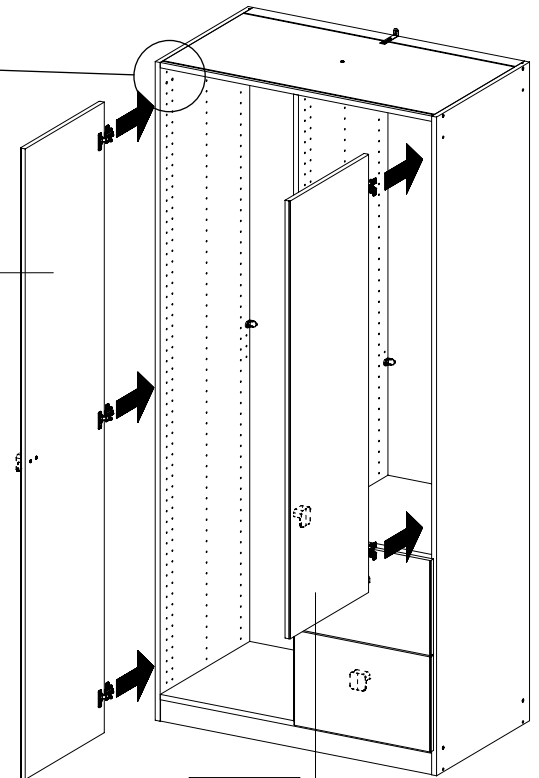
2.



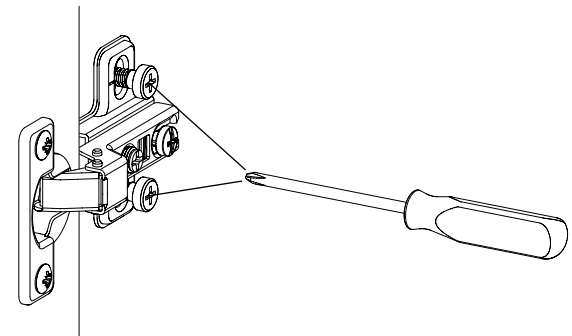
26



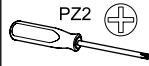
TU010



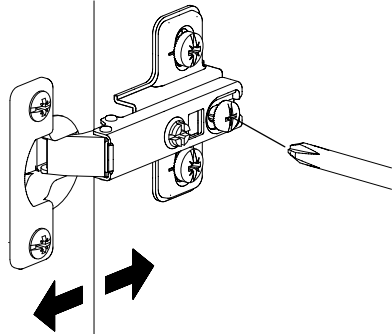
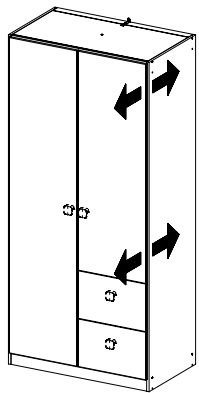
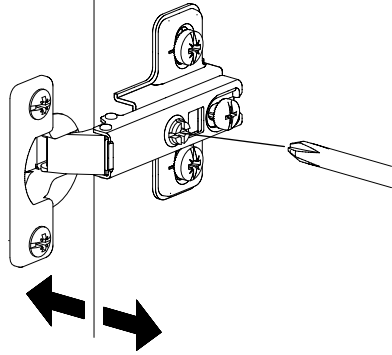
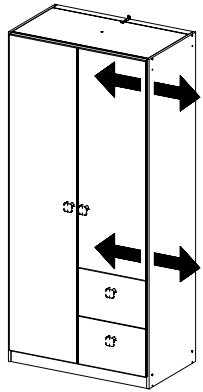
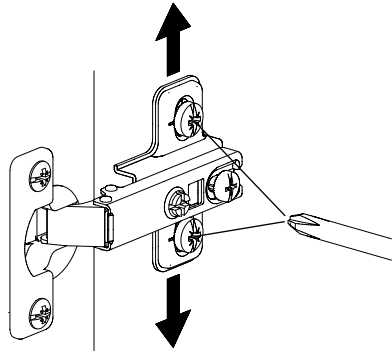
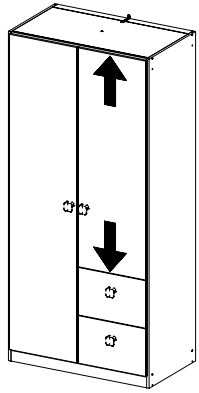
TU020



27

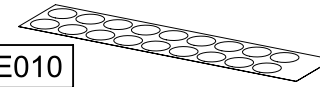


SCAN ME

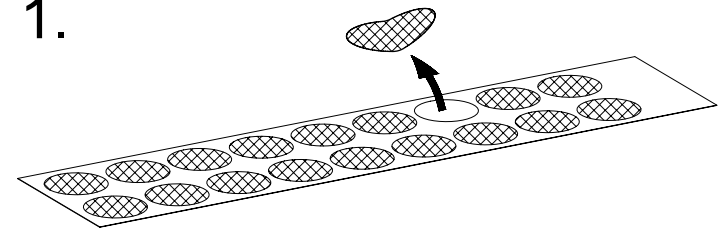


28

1x RE010



1.



2.

