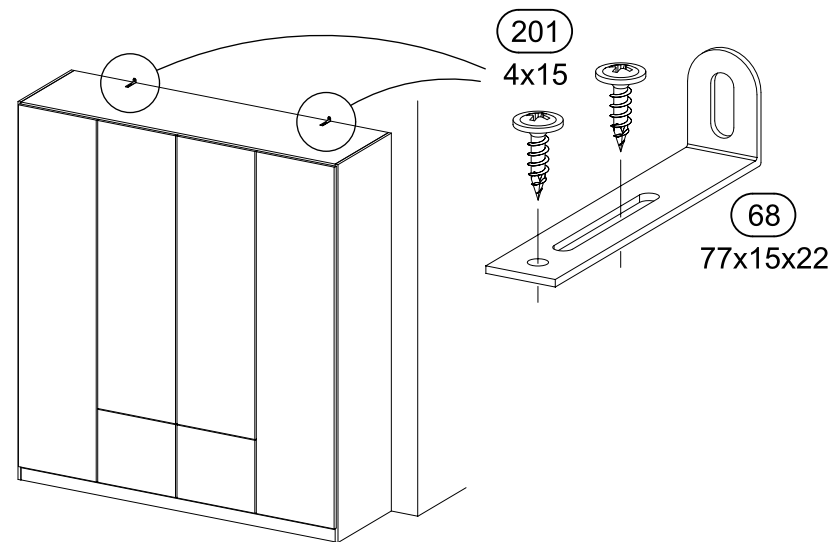
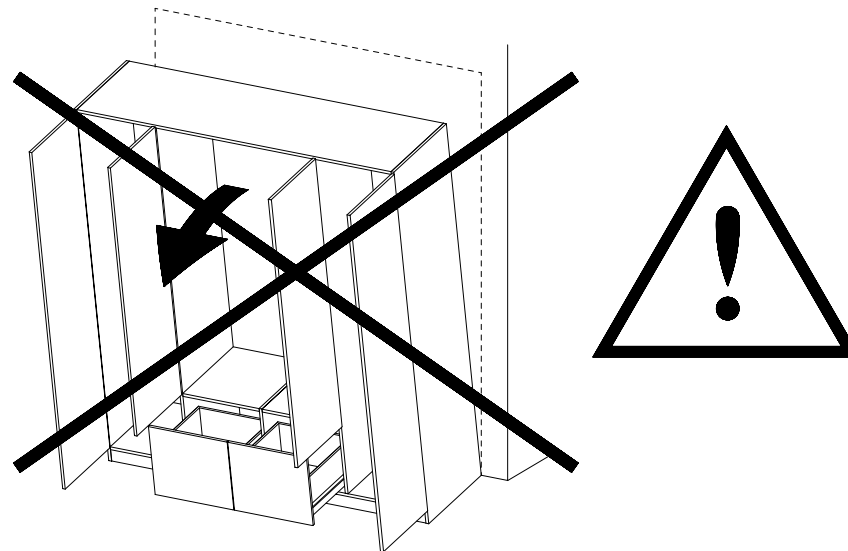
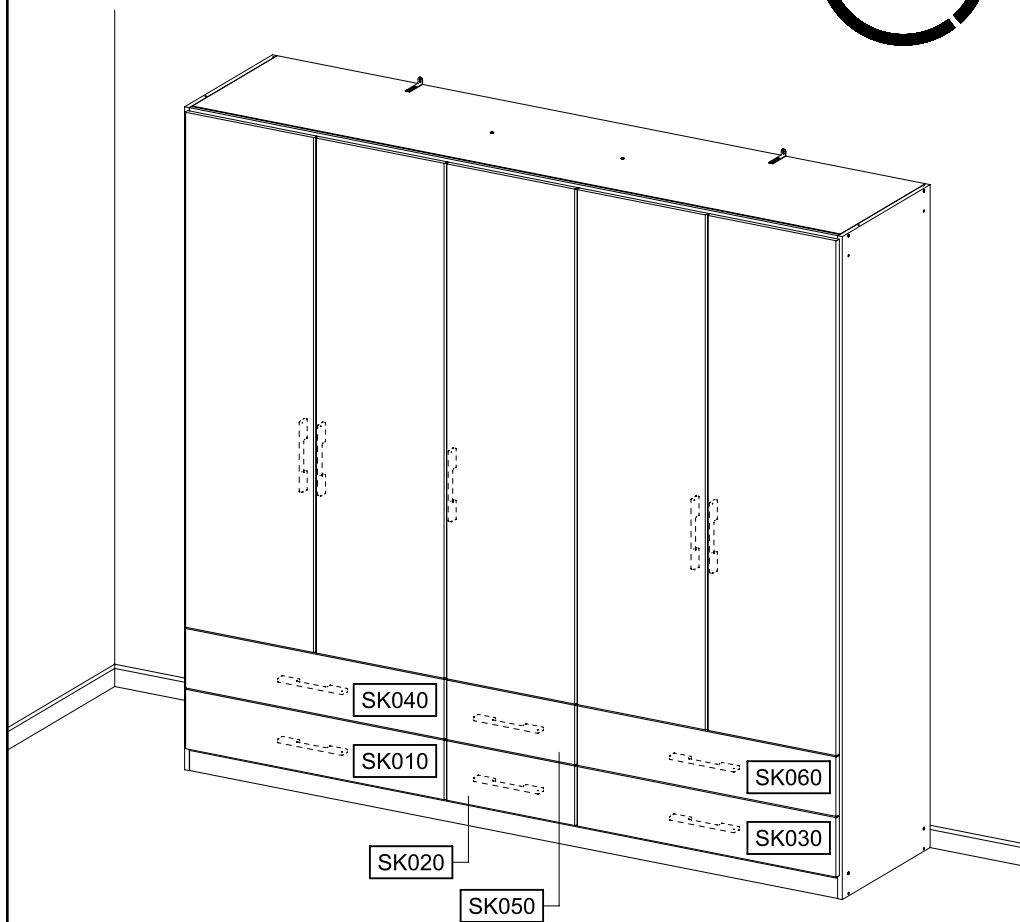
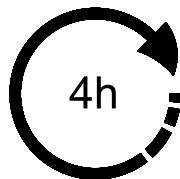
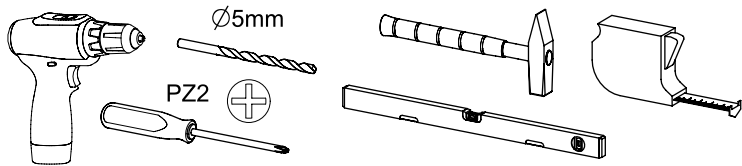
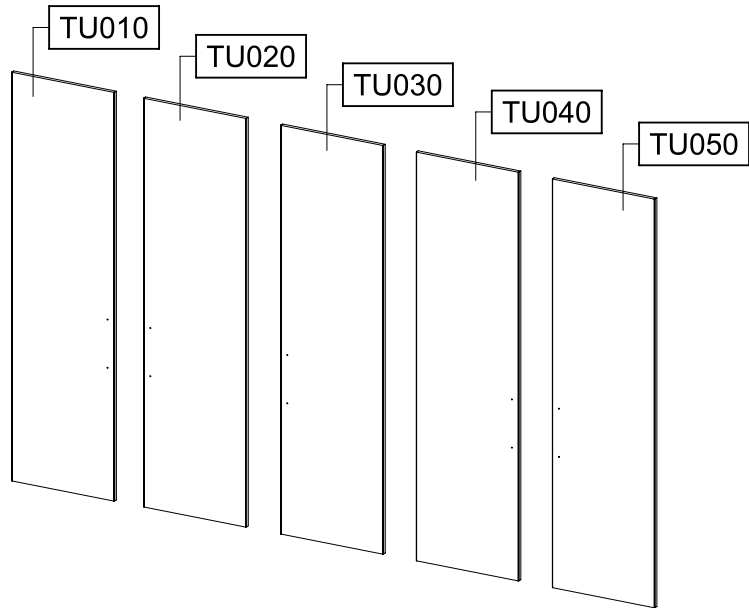
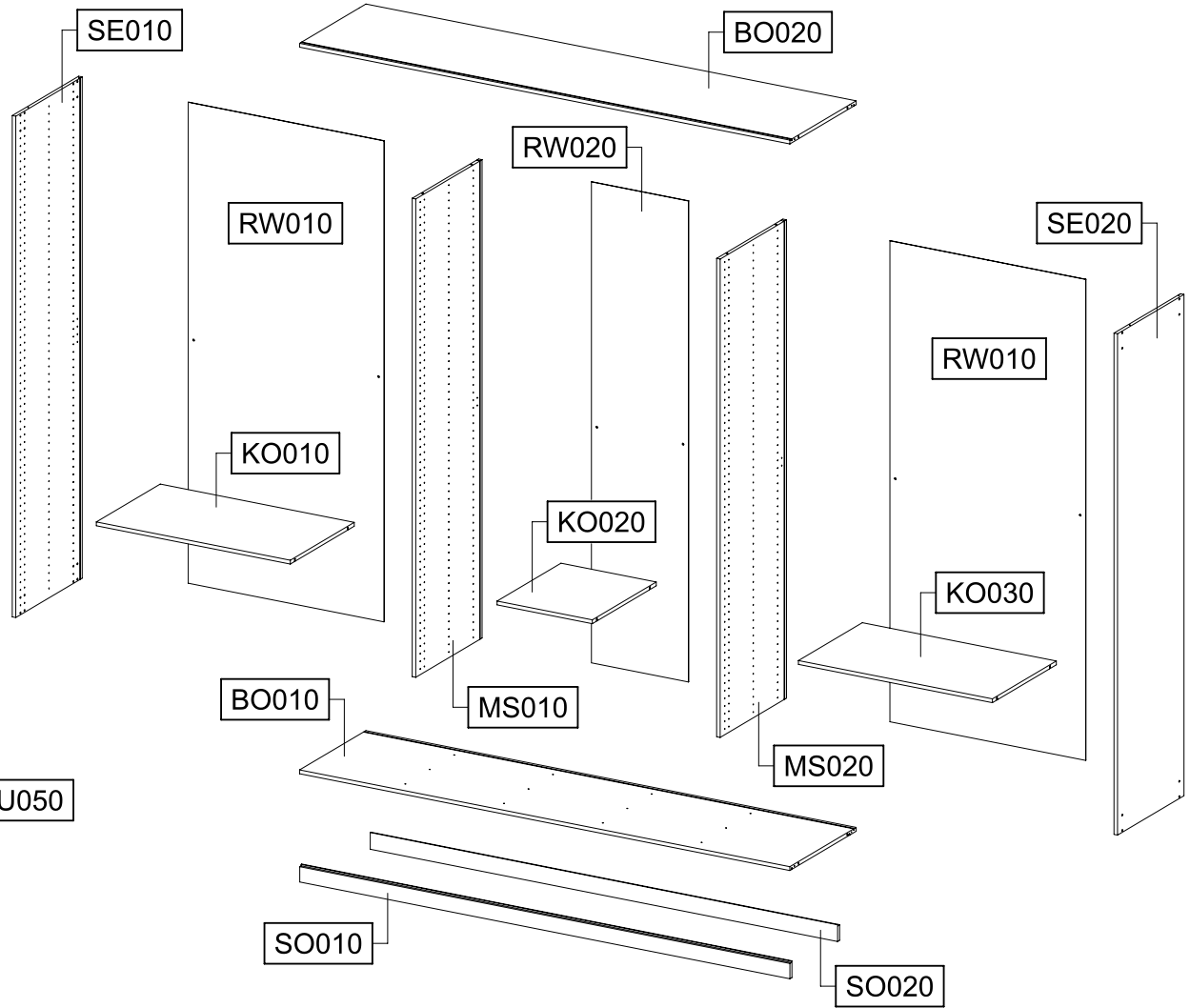
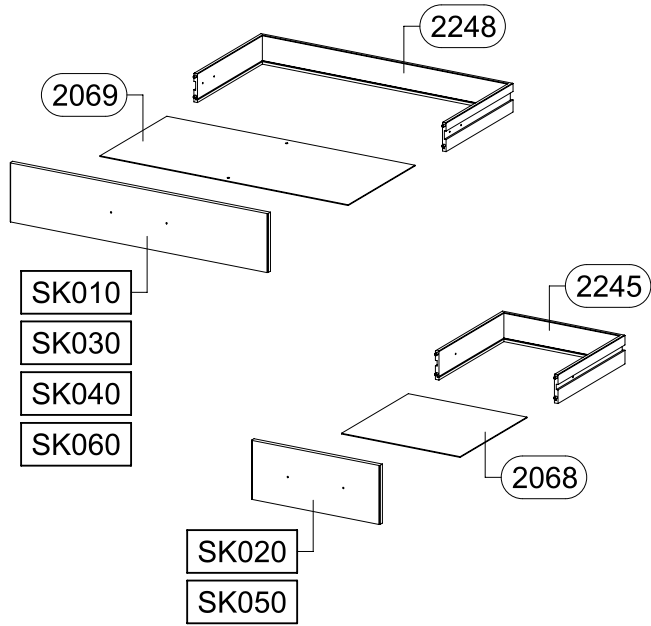


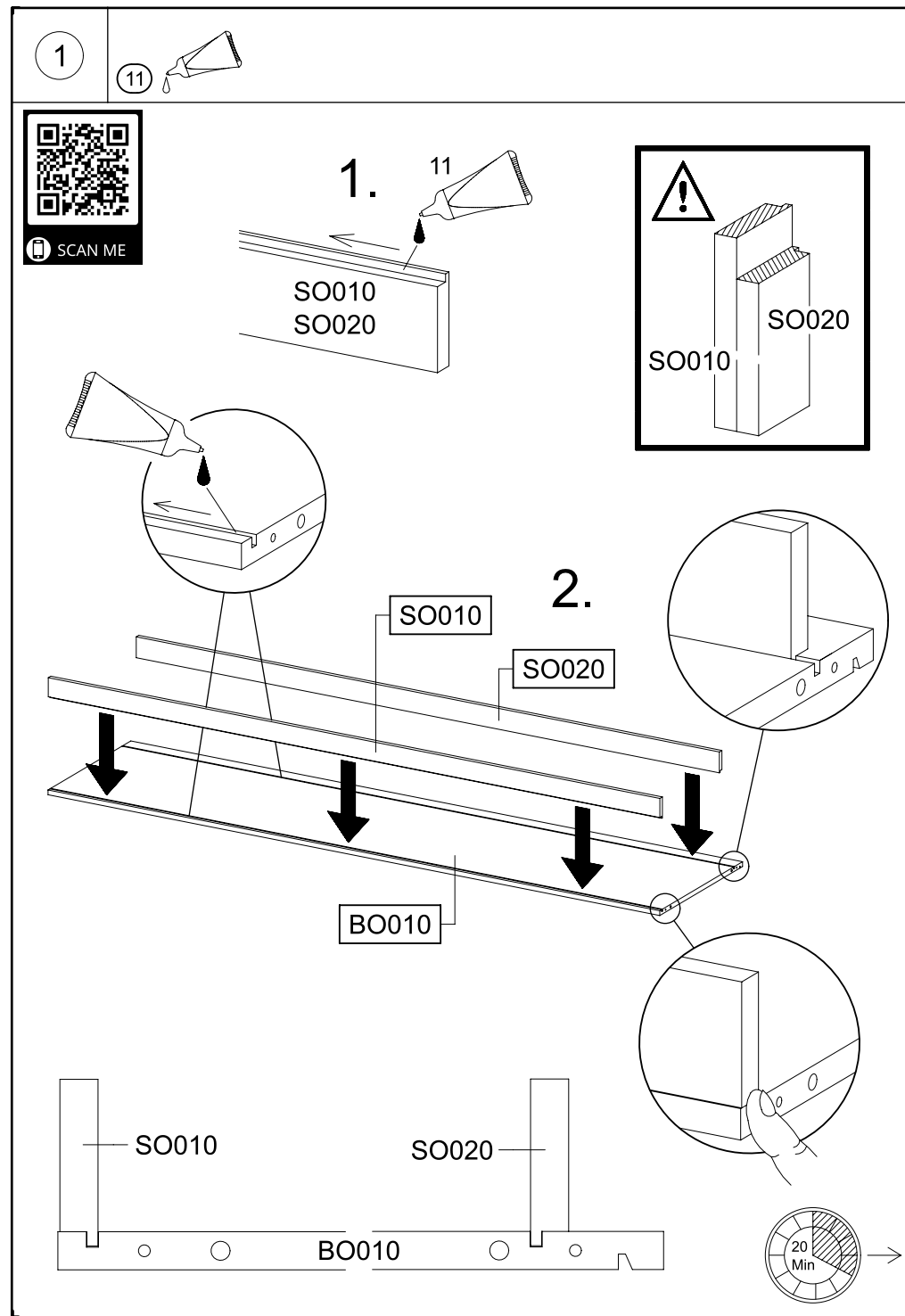
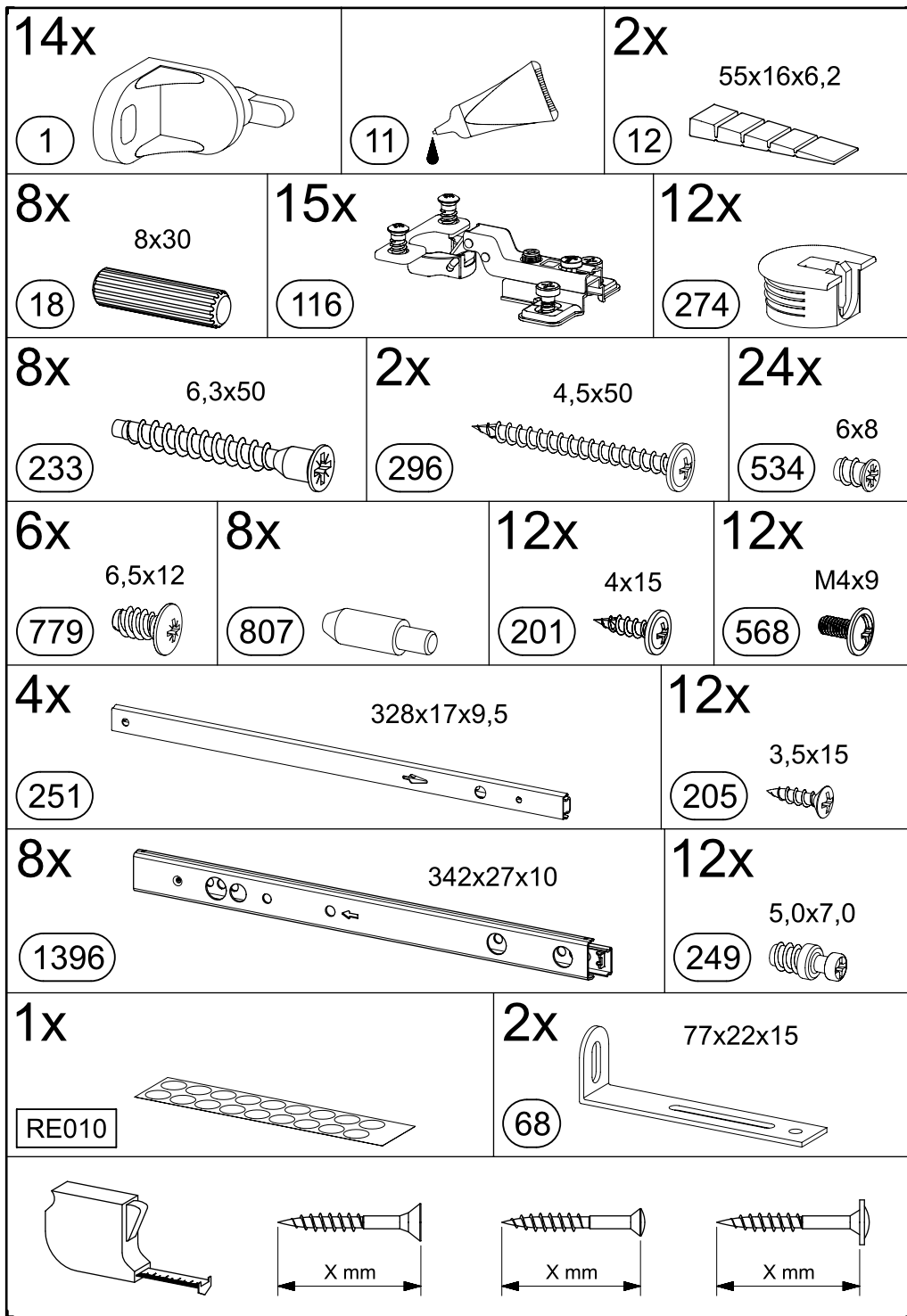
M2849_01

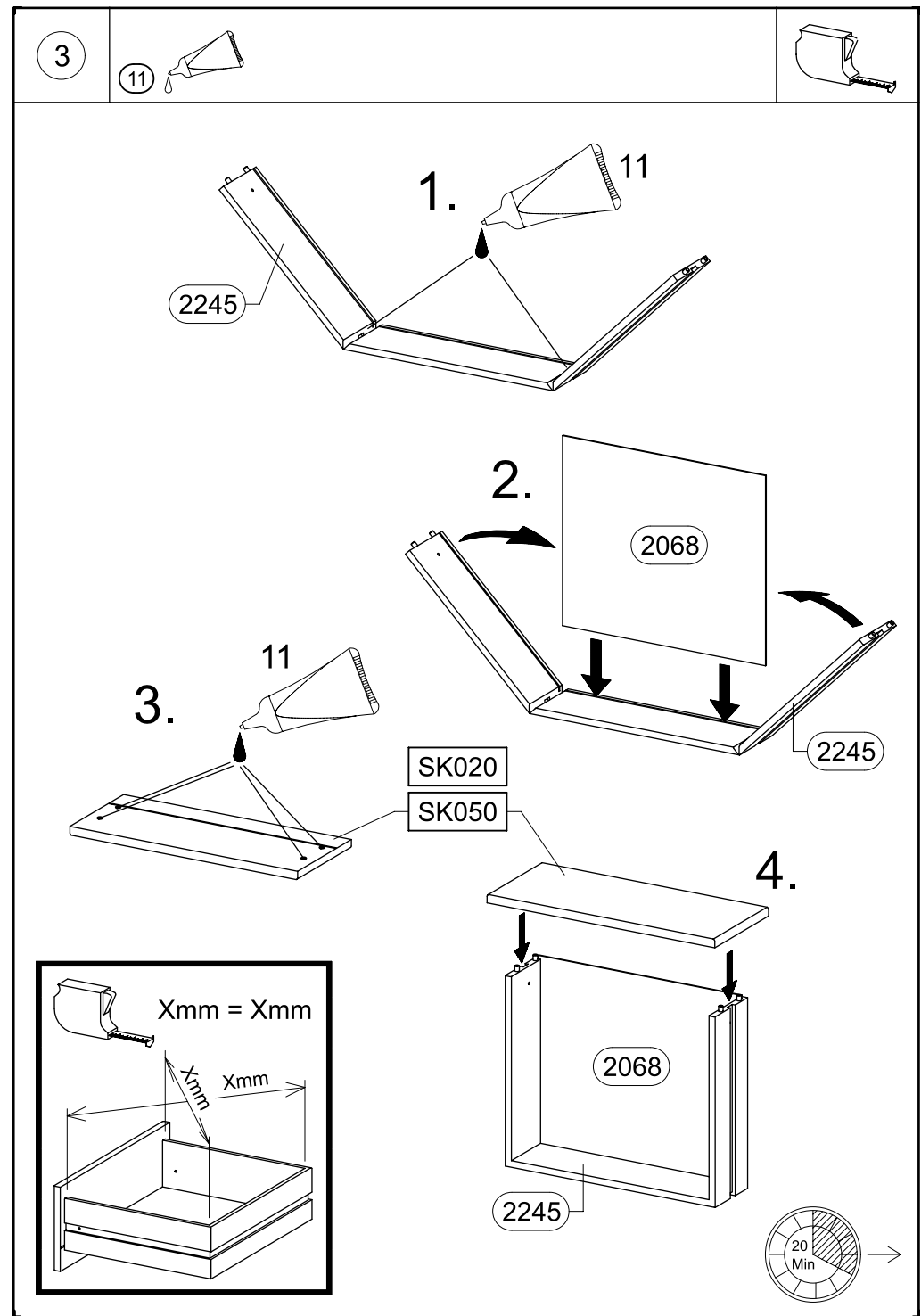
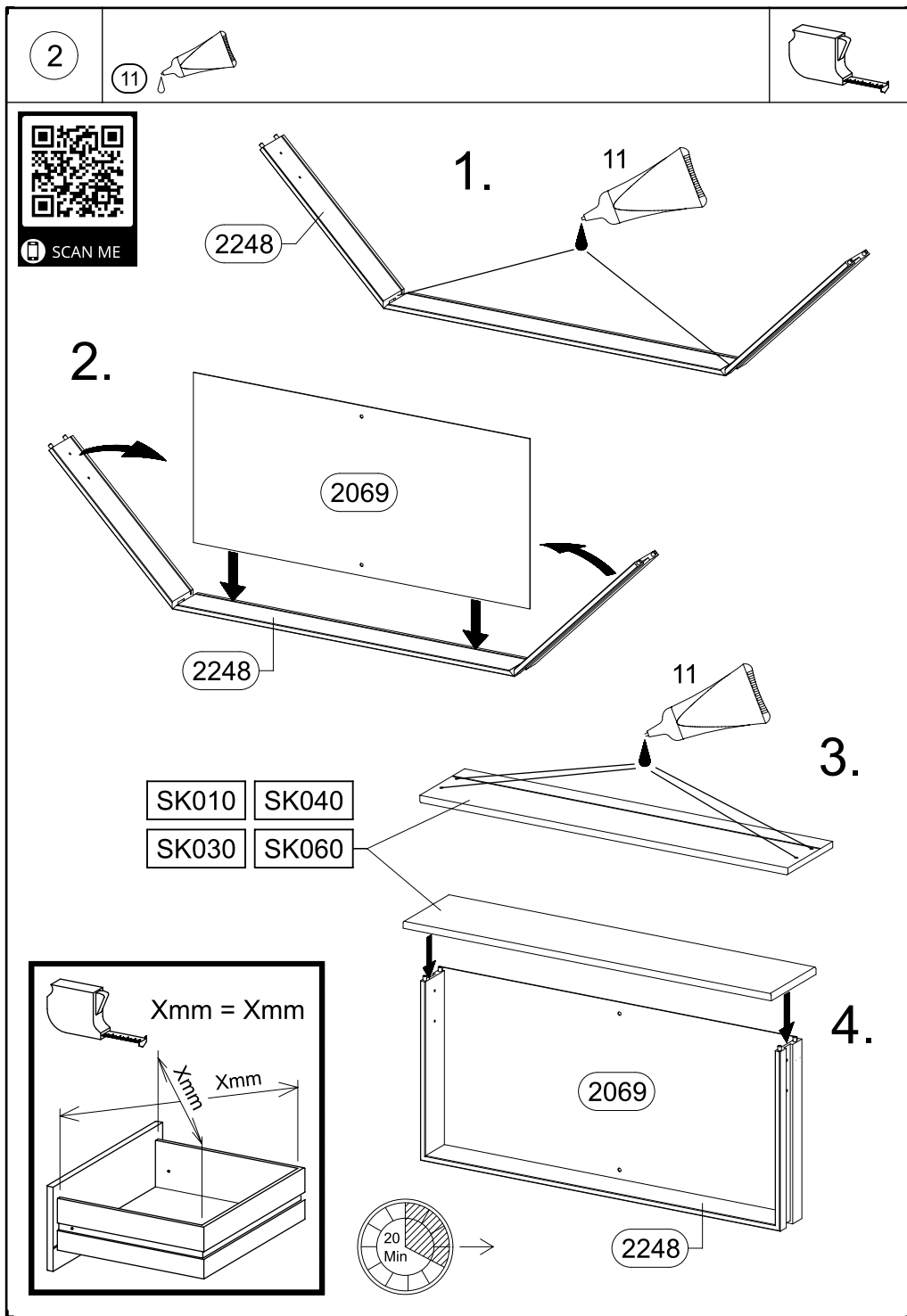


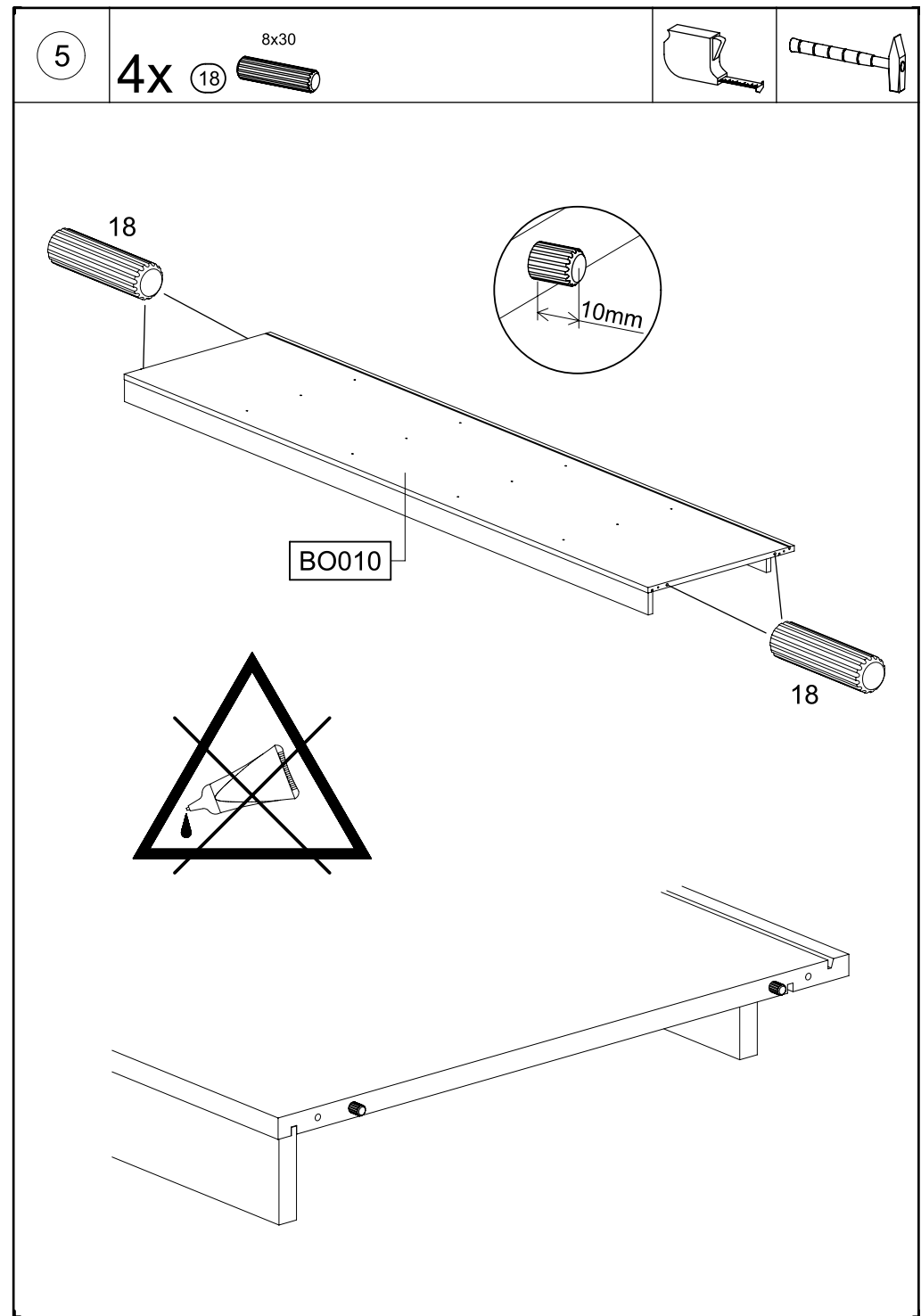
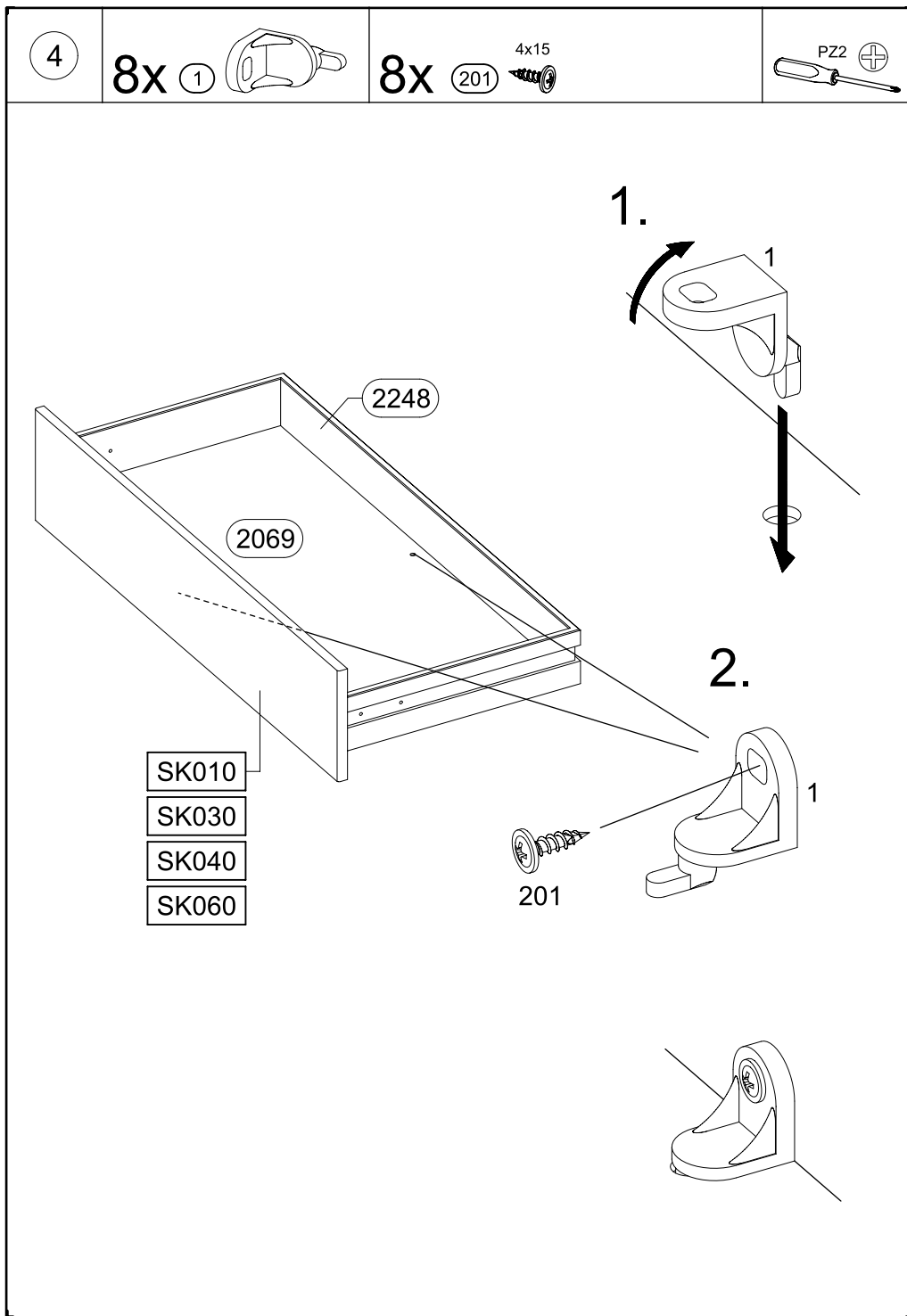
VIDEO

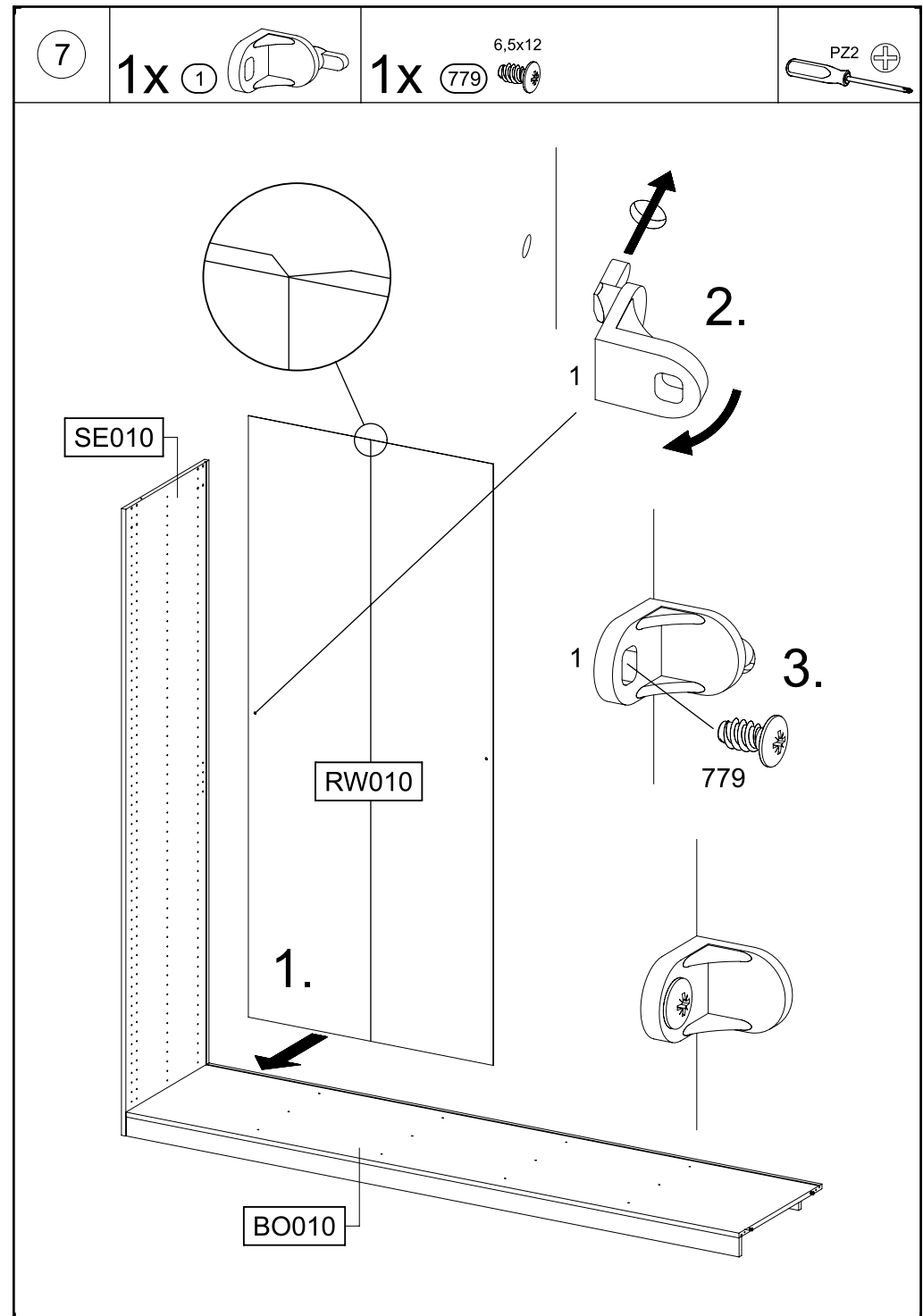
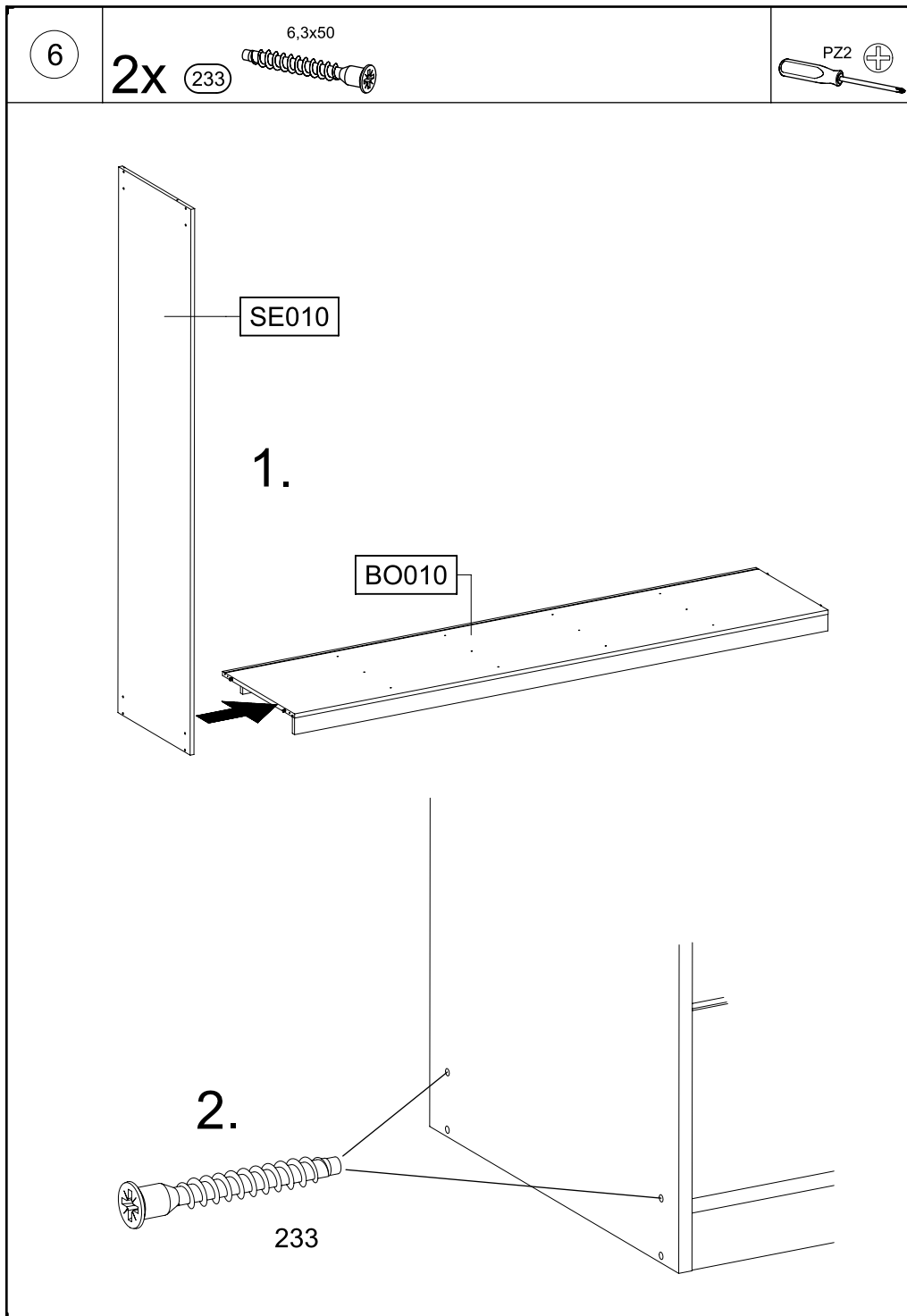


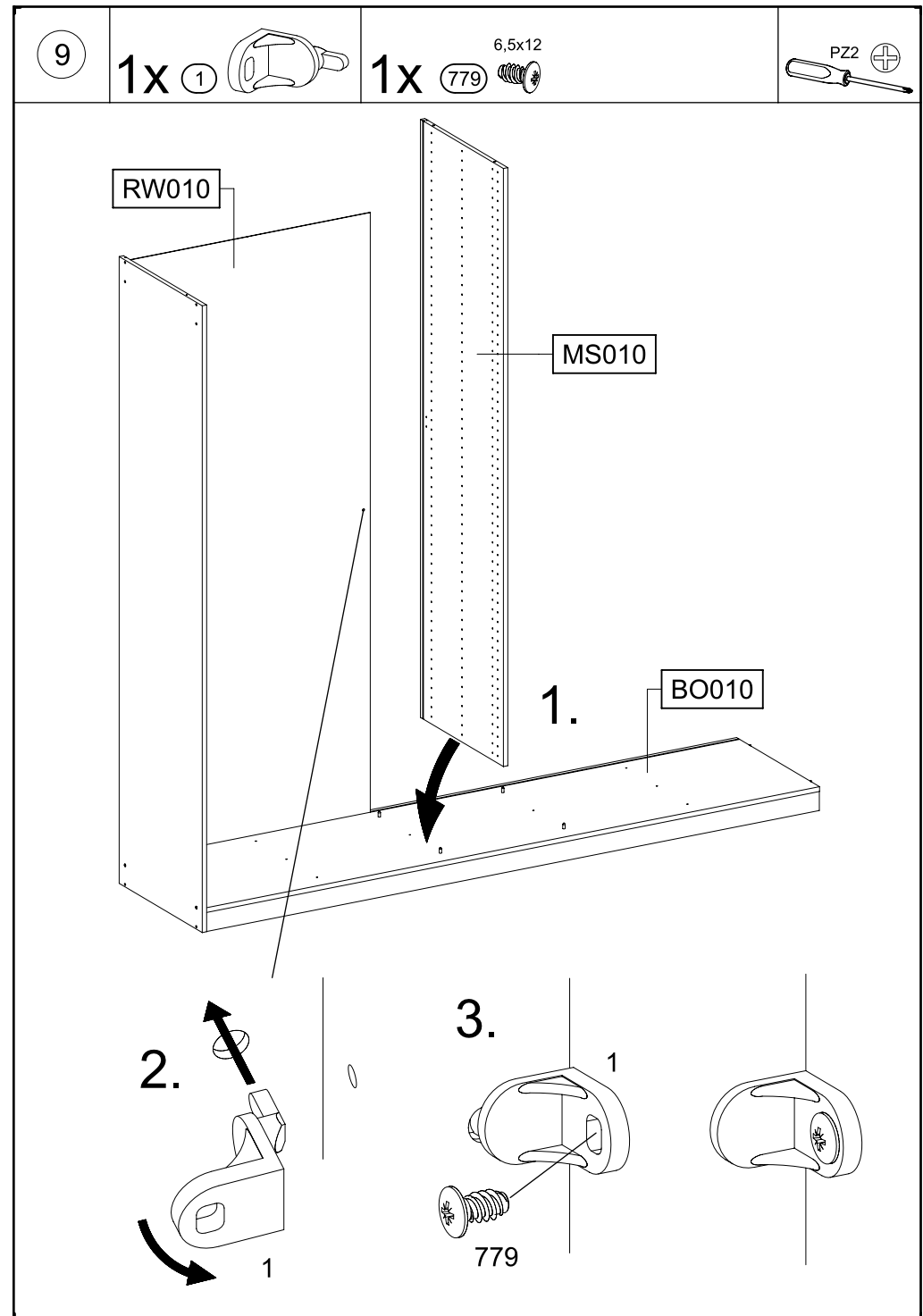
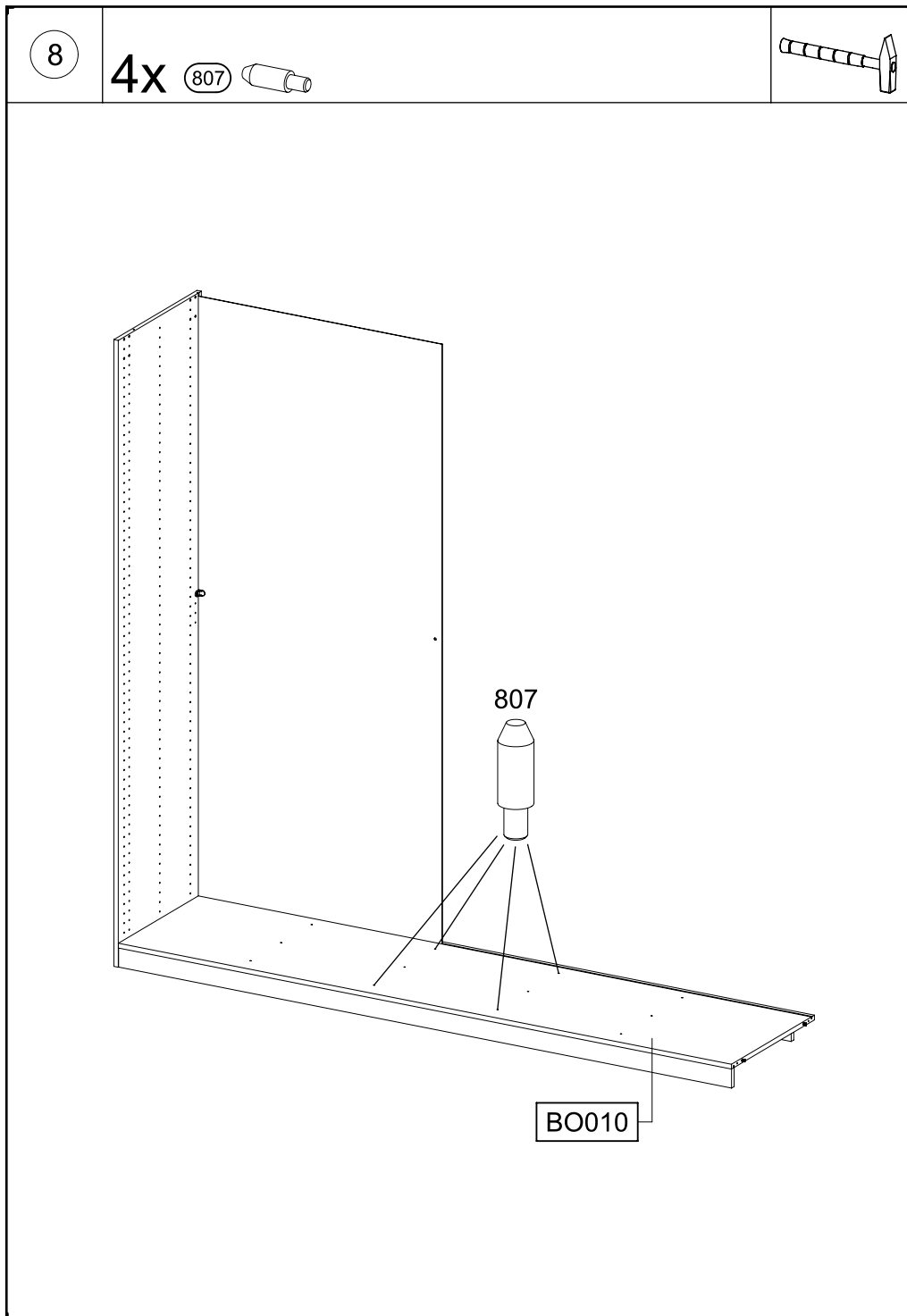


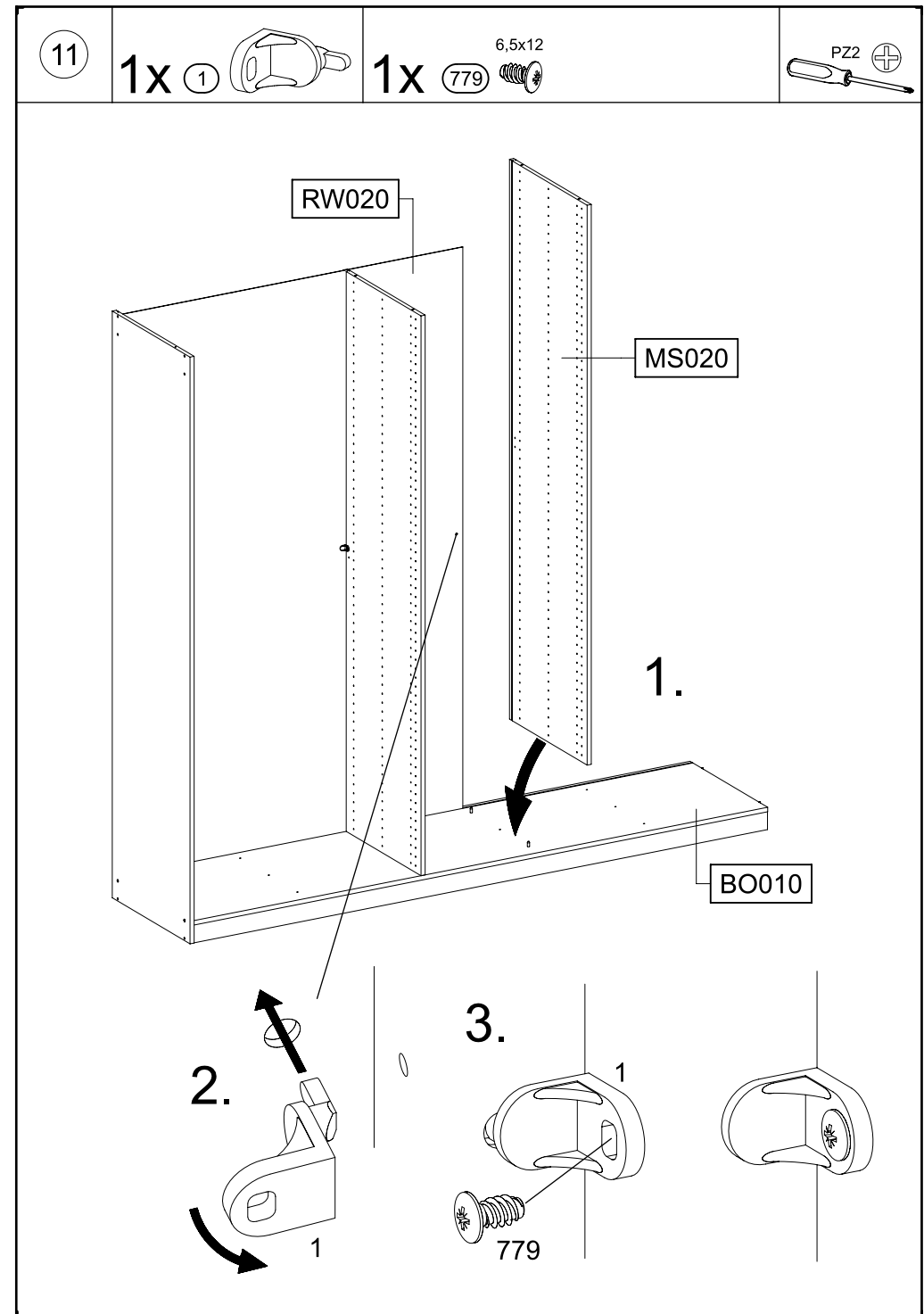
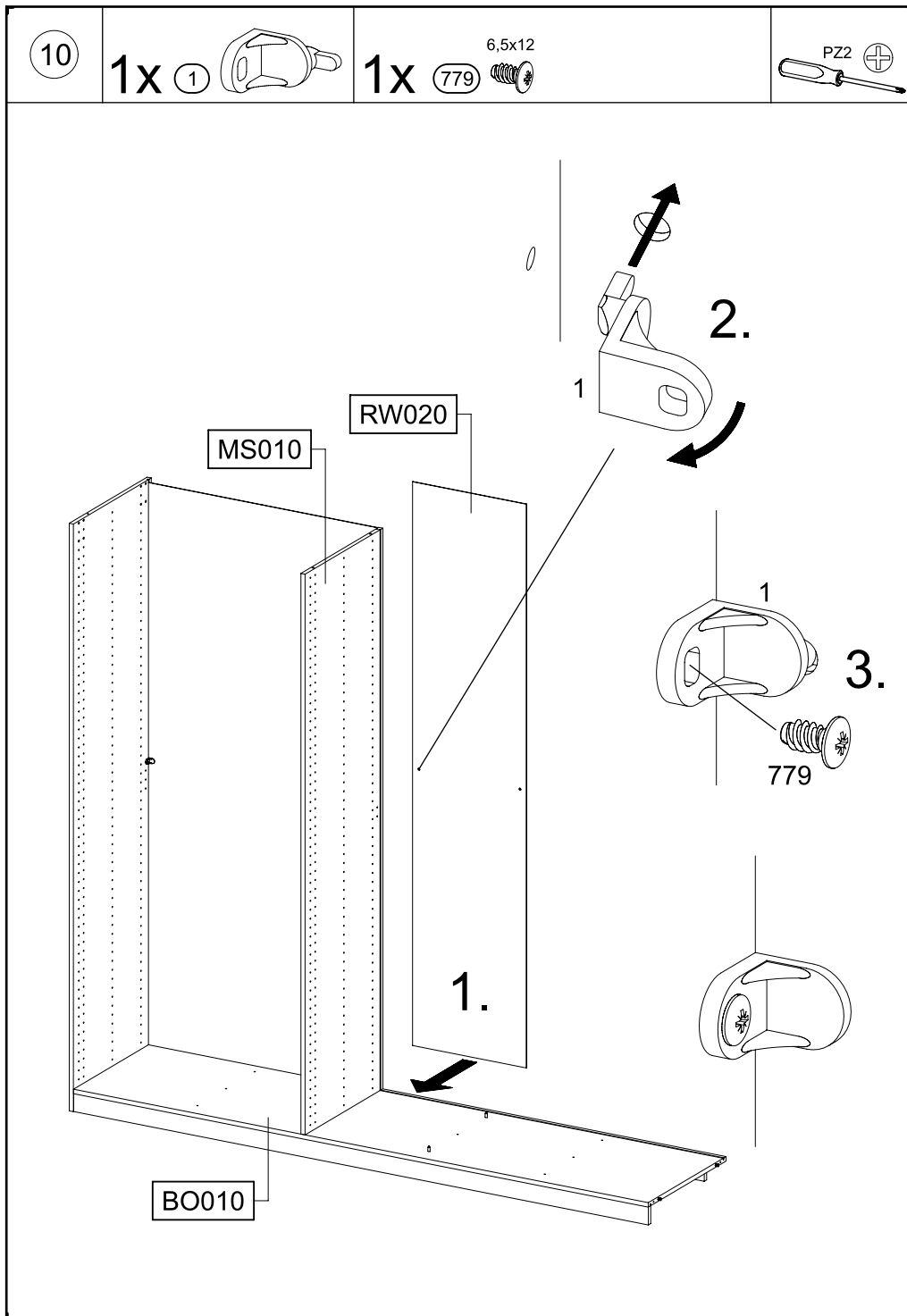


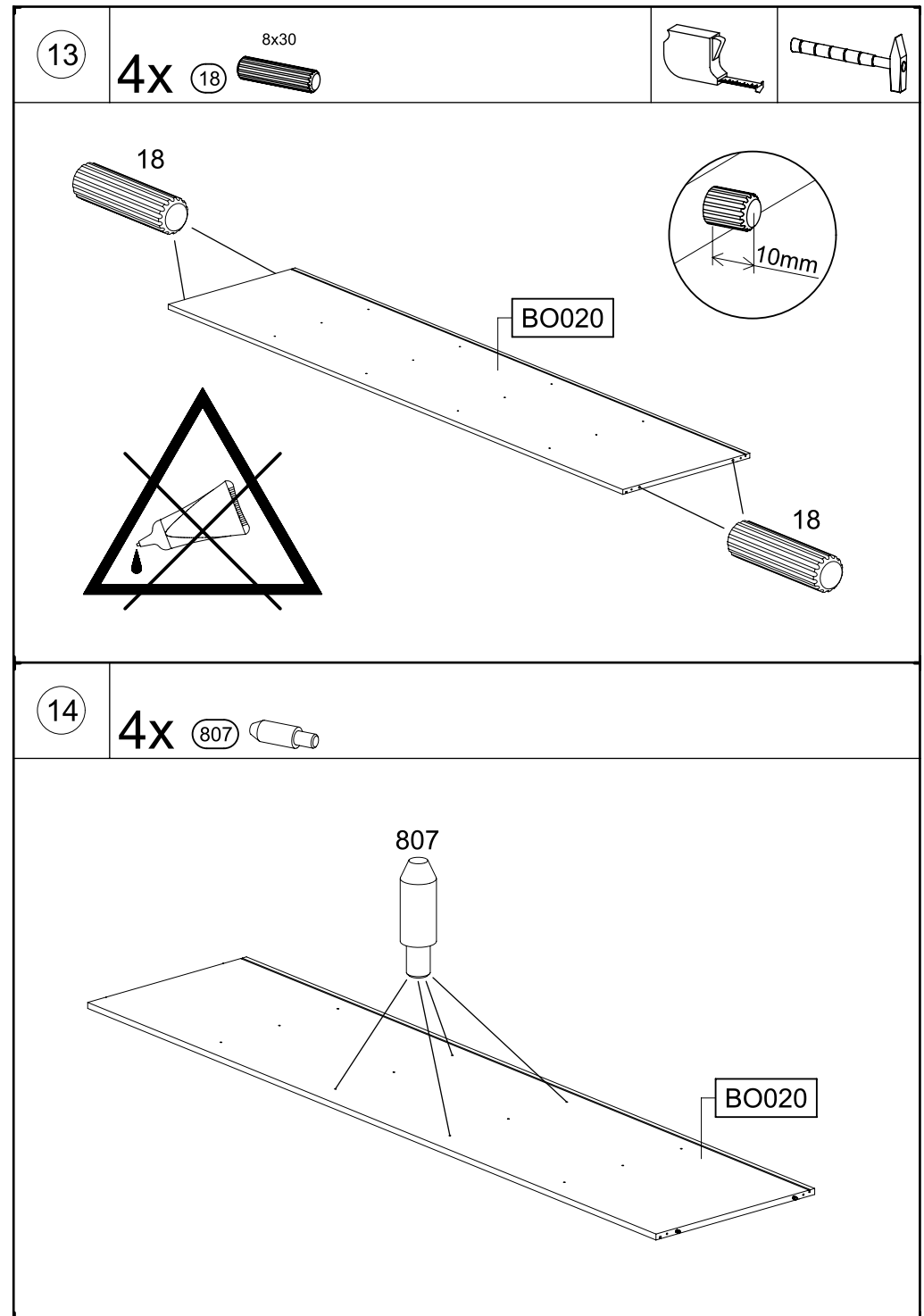
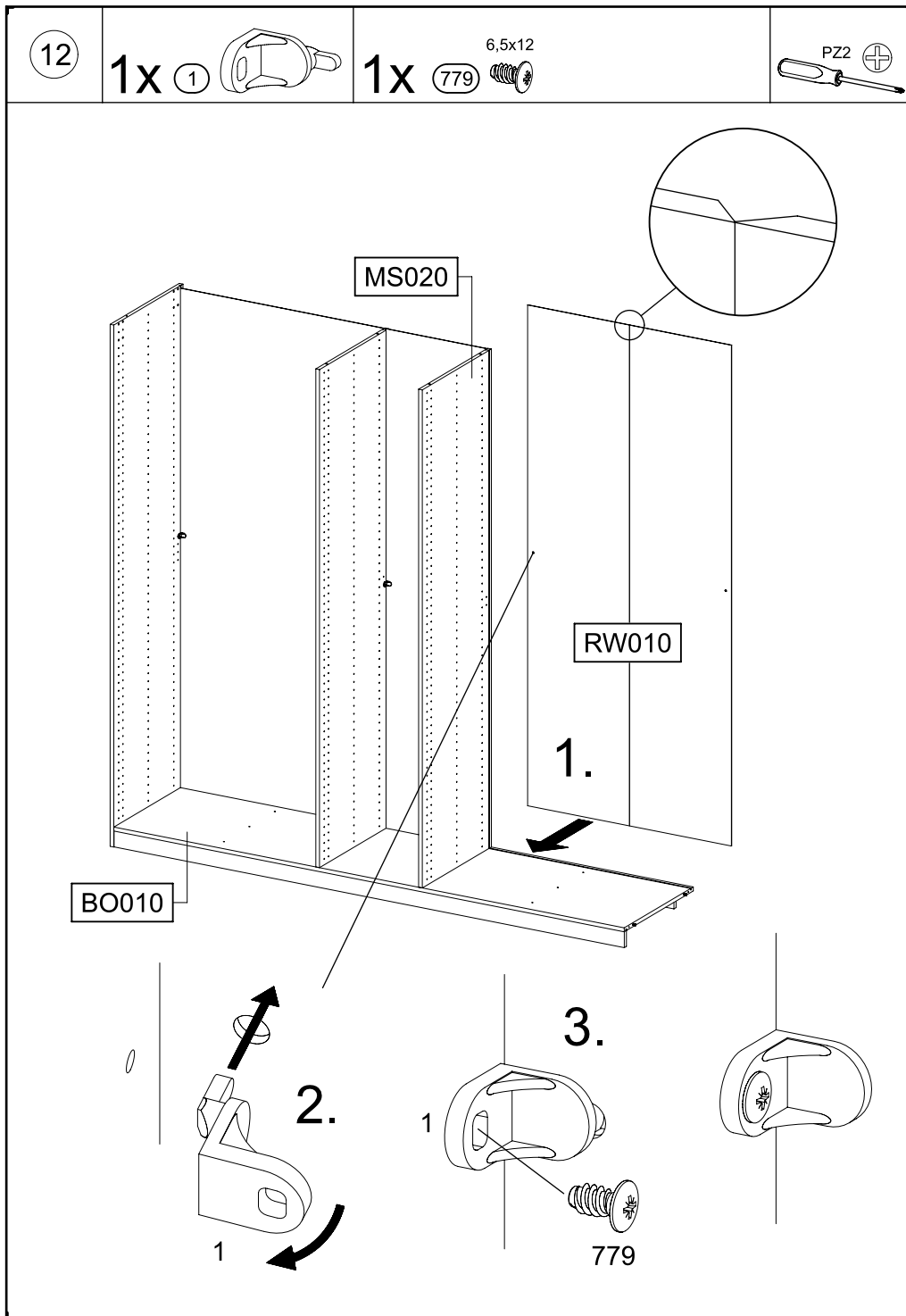






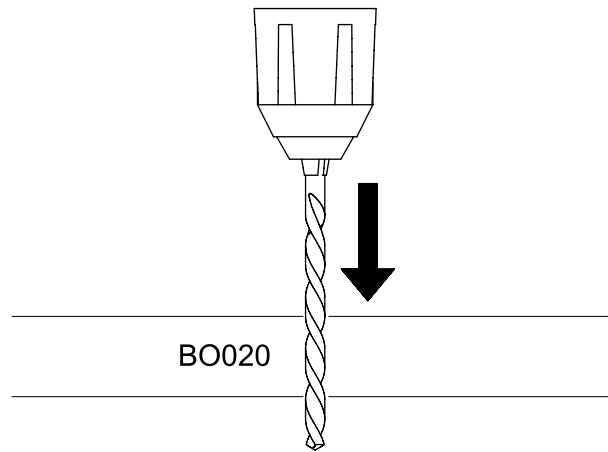
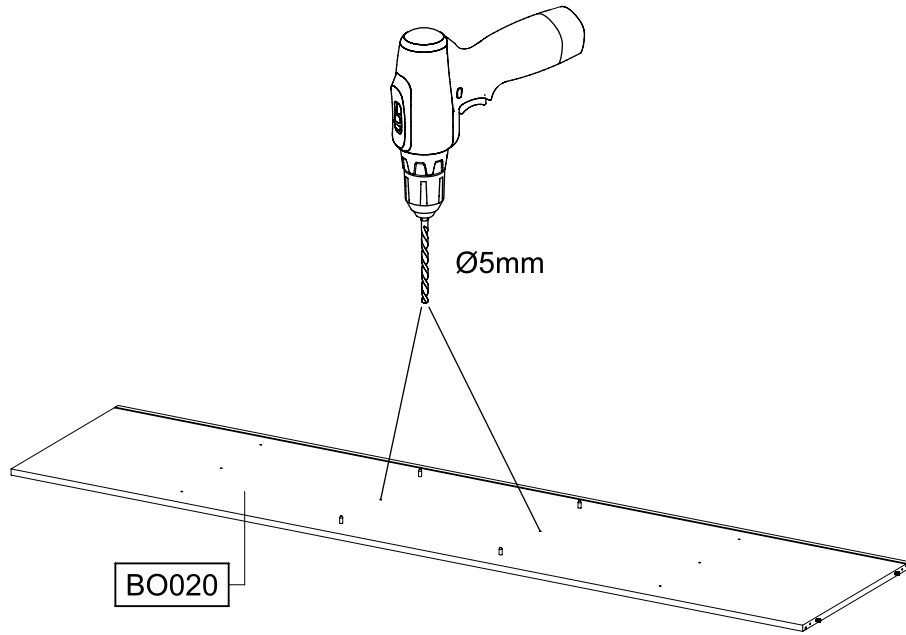
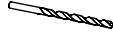






15

Ø5mm



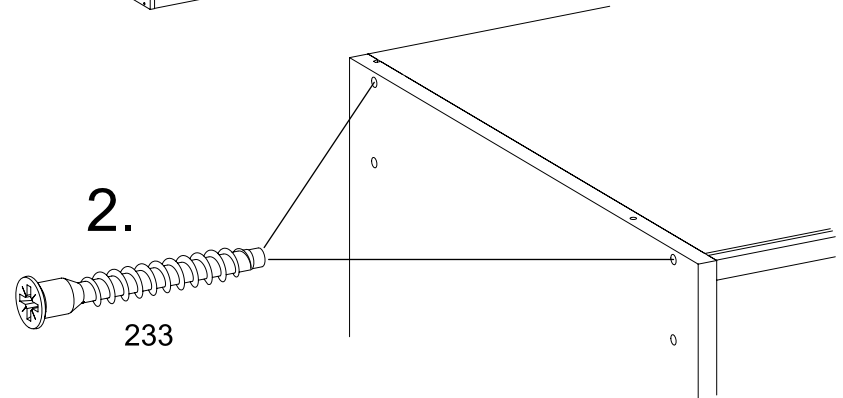
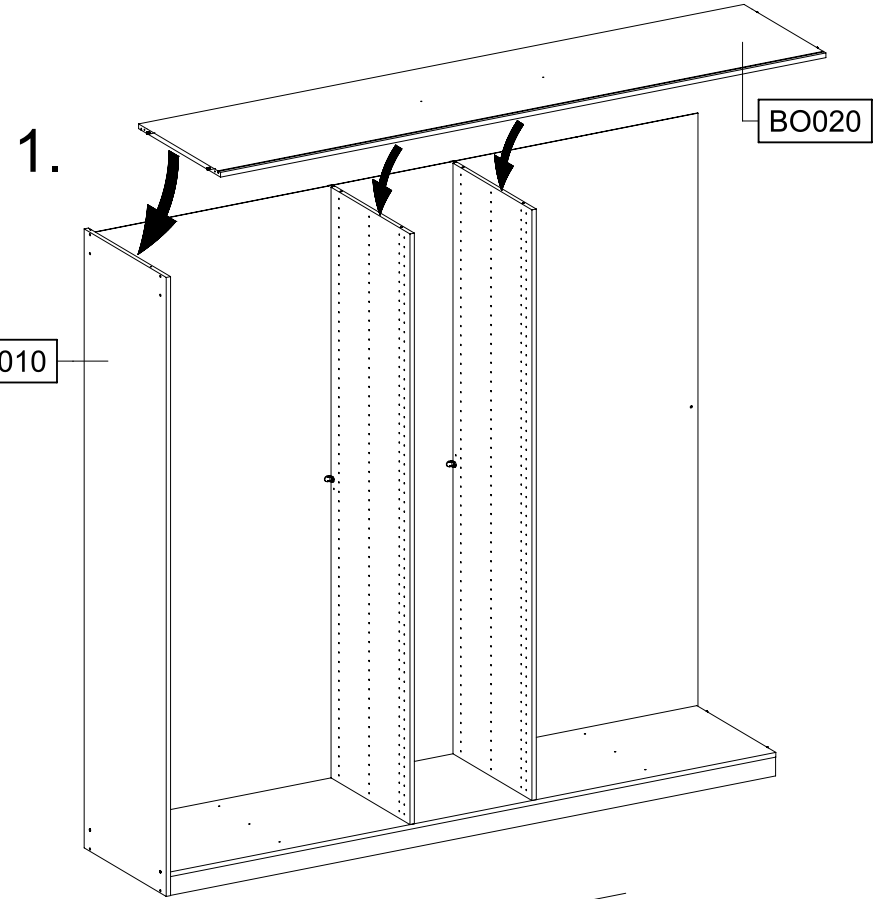
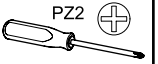
16

2x 233

6,3x50

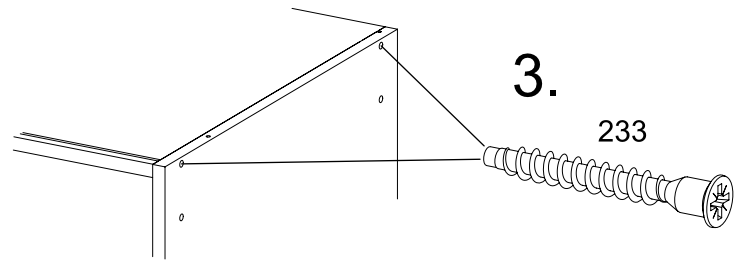
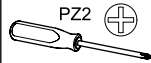
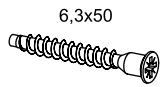


PZ2



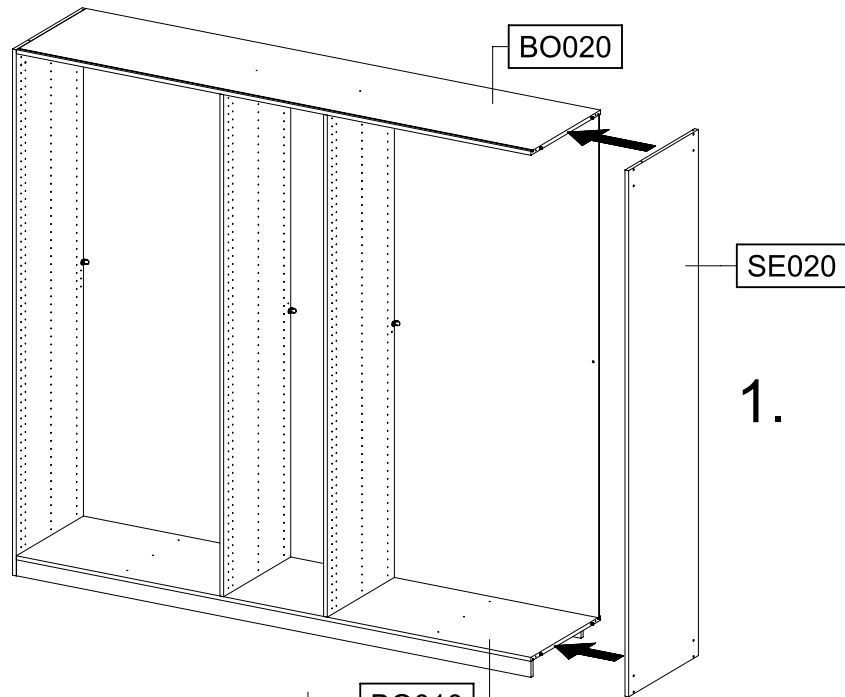
17

4x 233



3.

233

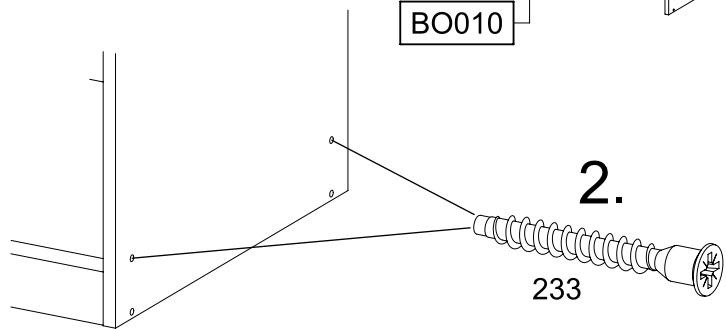


BO020

SE020

1.

BO010



2.

233

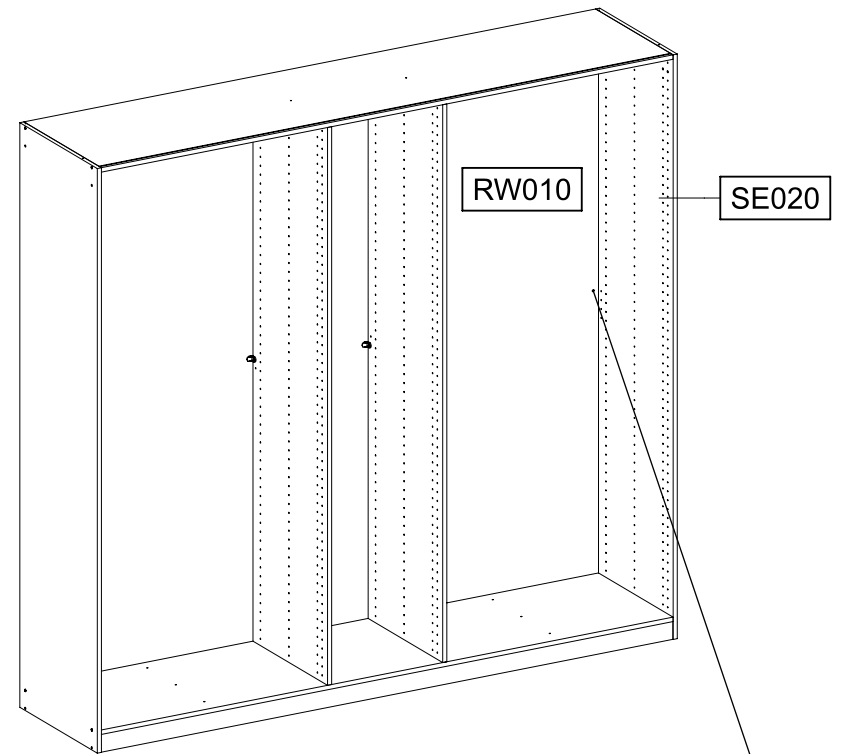
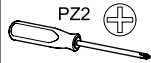
18

1x 1



1x 779

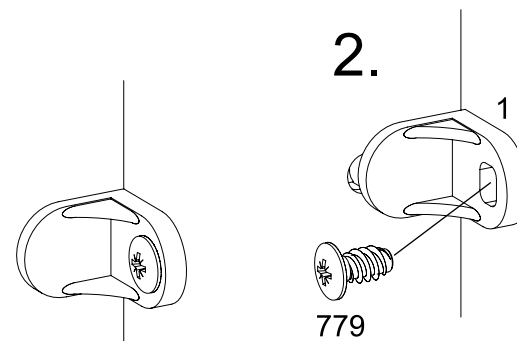
6,5x12



RW010

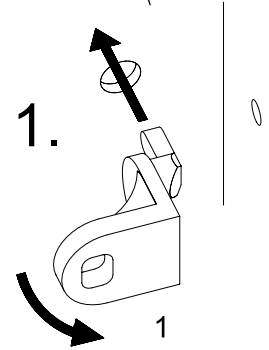
SE020

2.



779

1.

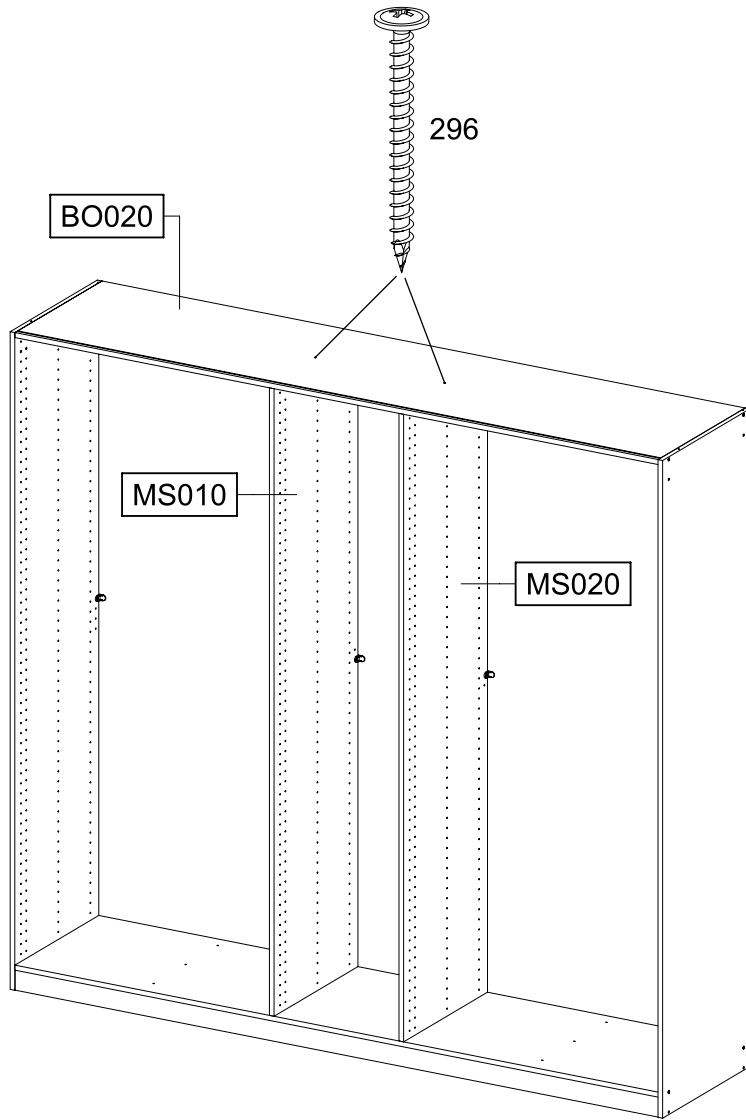
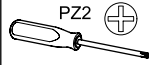
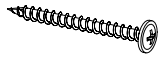


1

19

2x 296

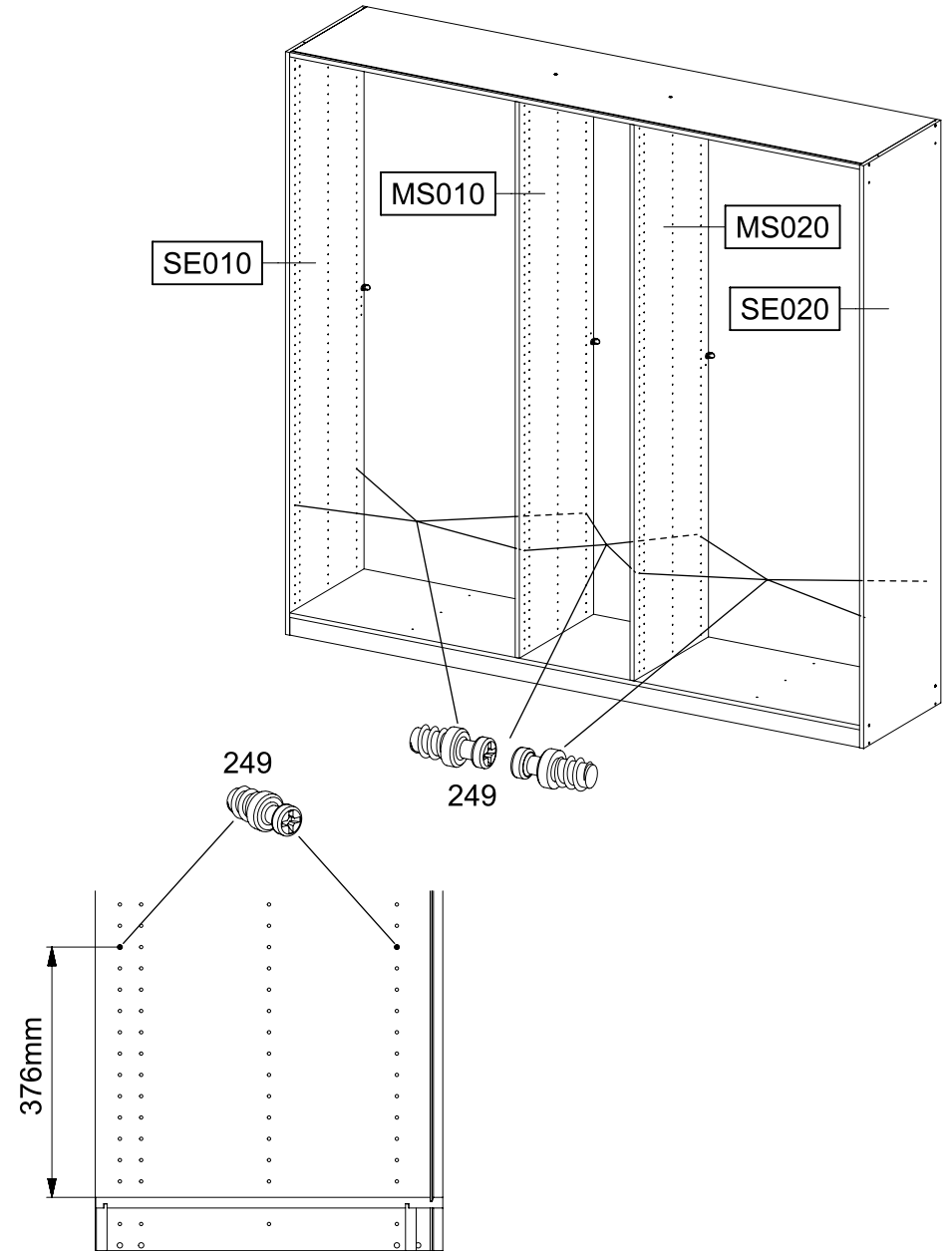
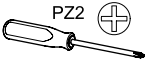
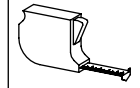
4,5x50

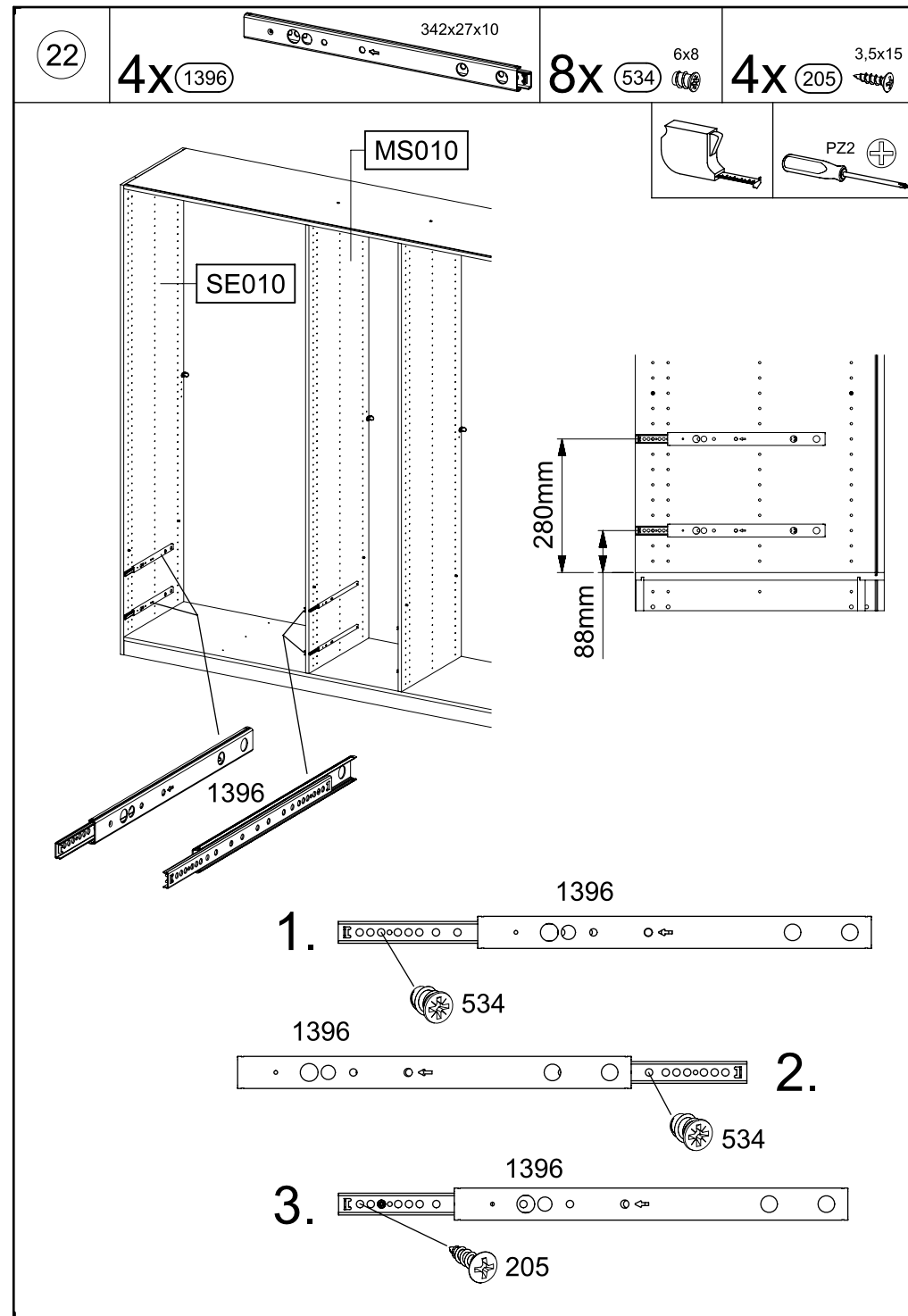
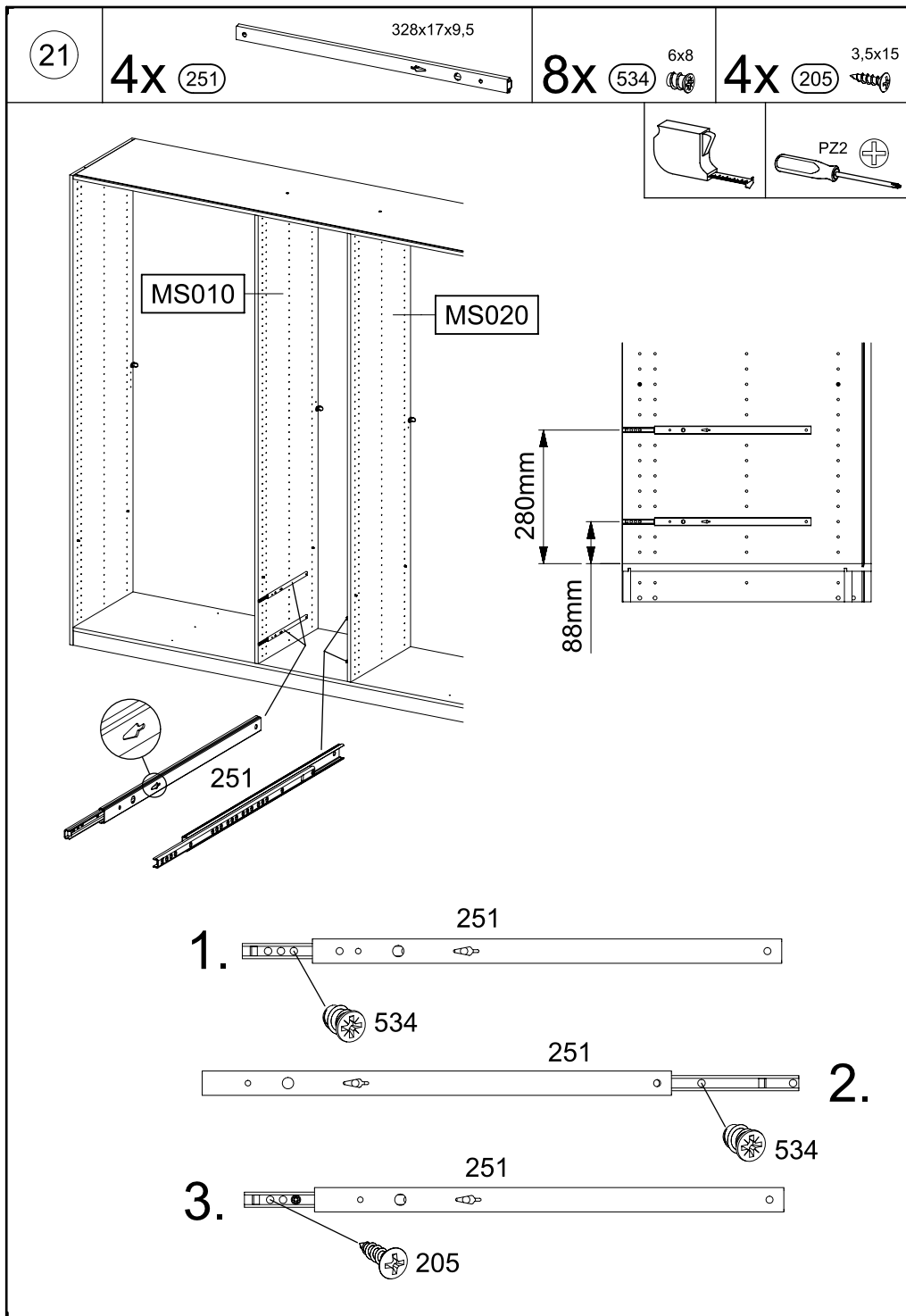


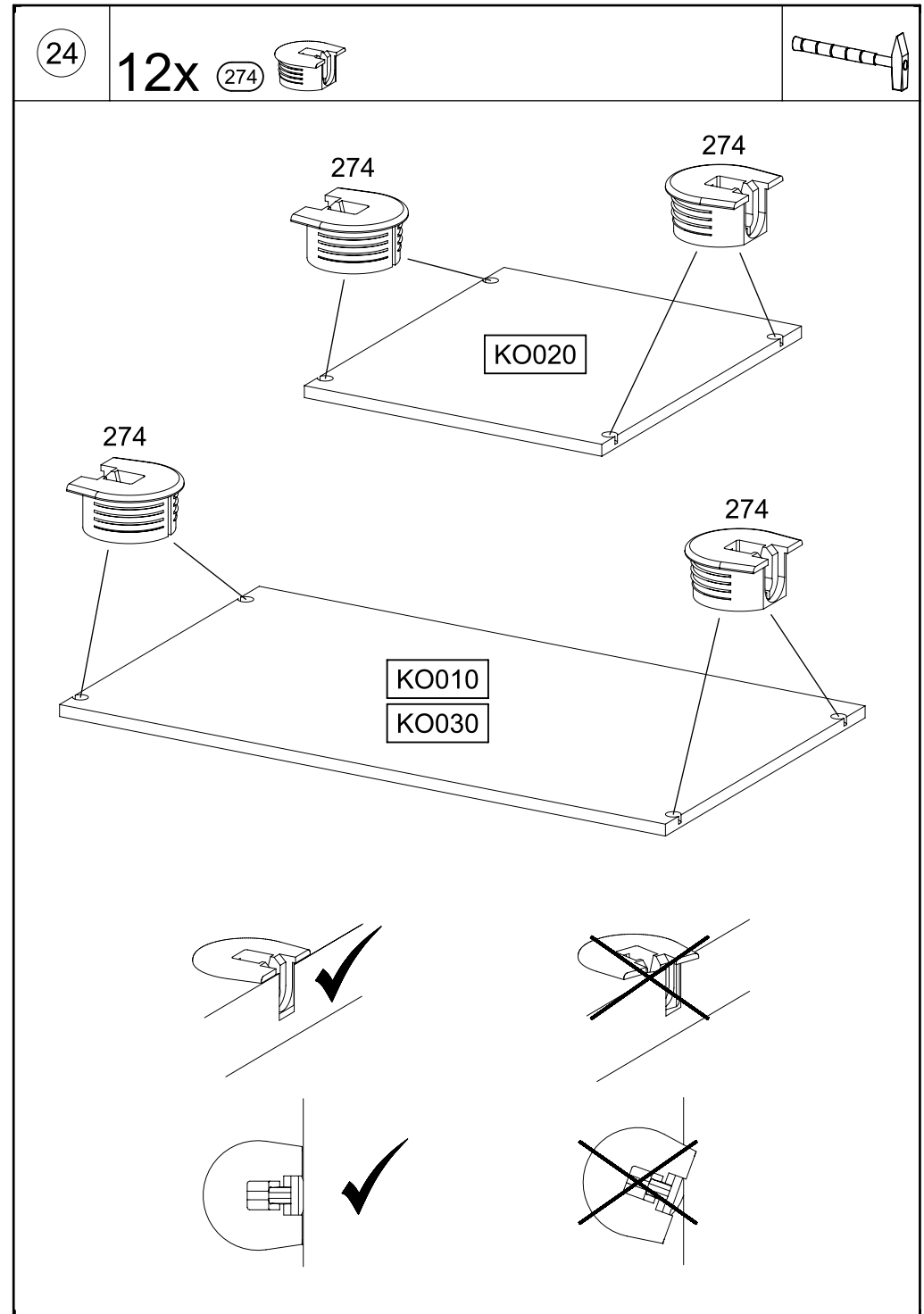
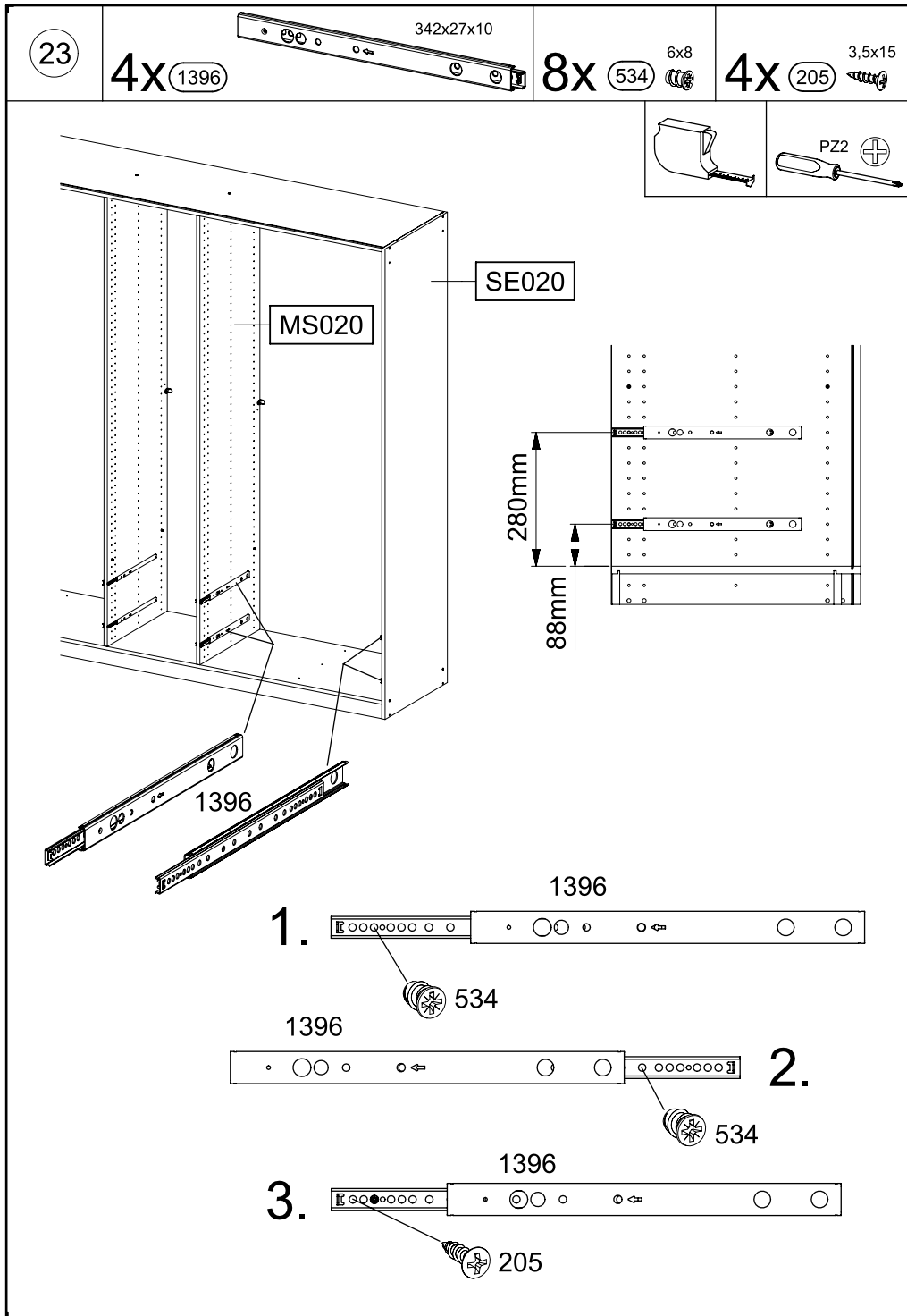
20

12x 249

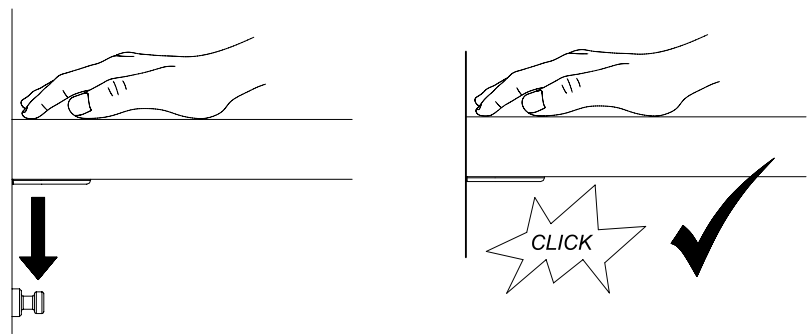
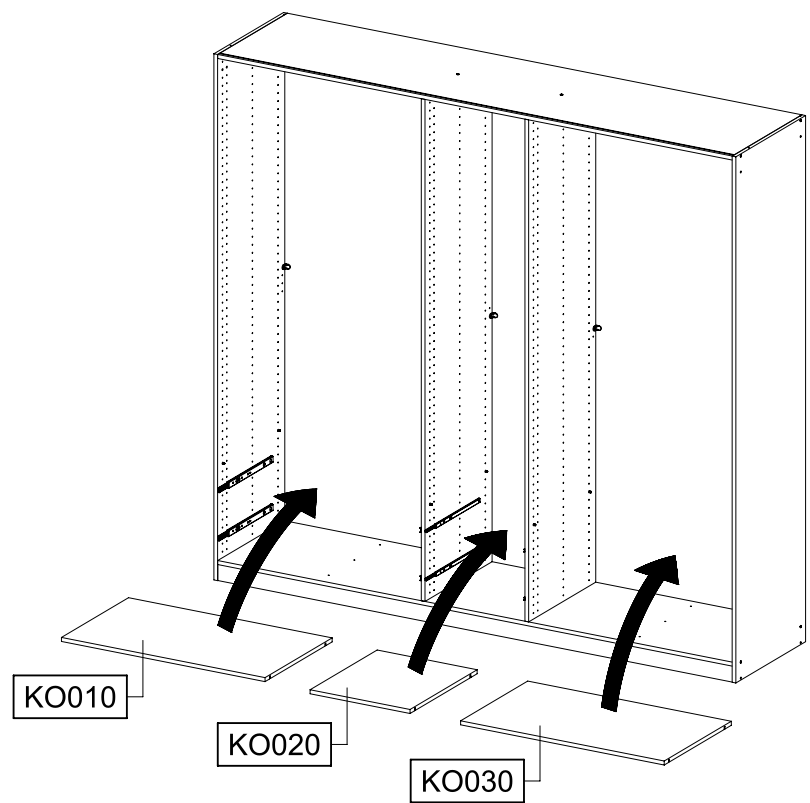
5,0x7,0







25



26

0-2x 12

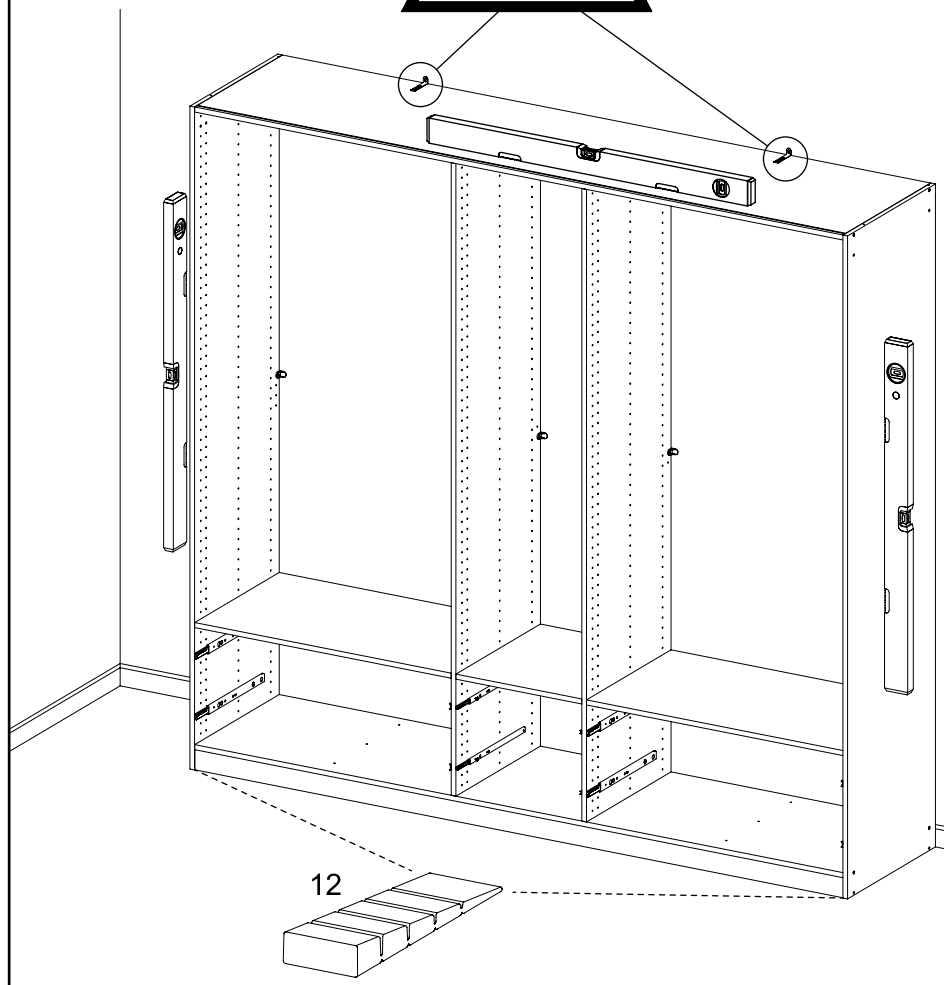
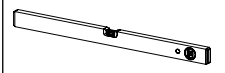
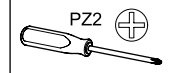
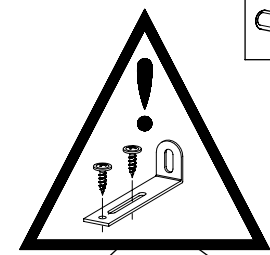
55x16x6,2

4x 201

4x15

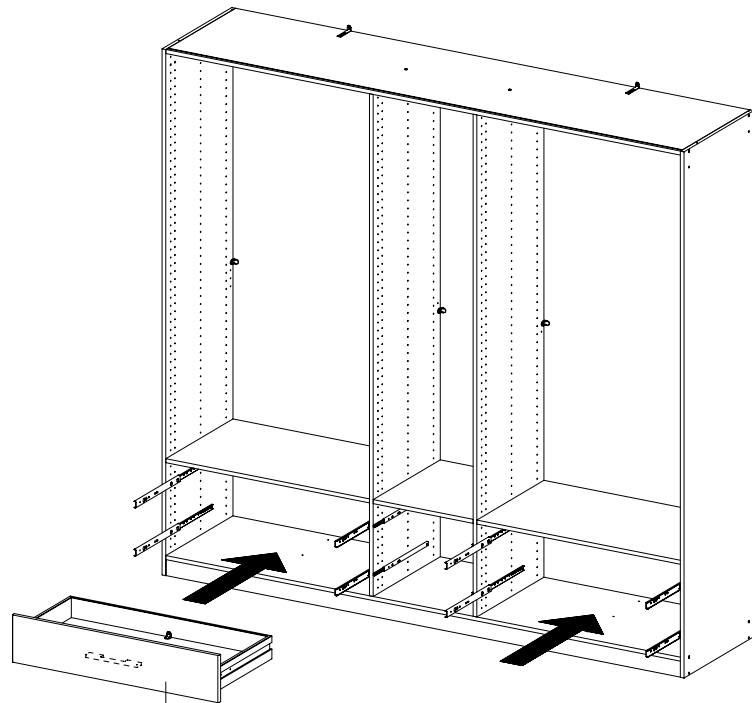
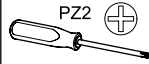
2x 68

77x22x15

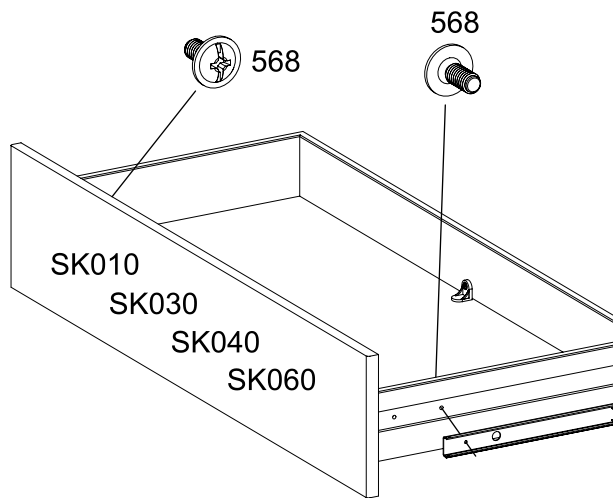


27

8x M4x9 568

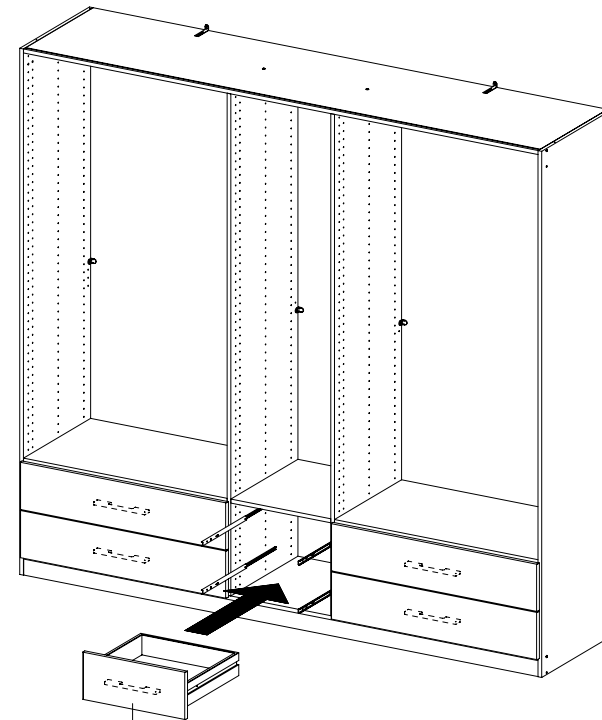
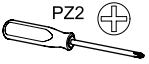


- SK010
- SK030
- SK040
- SK060

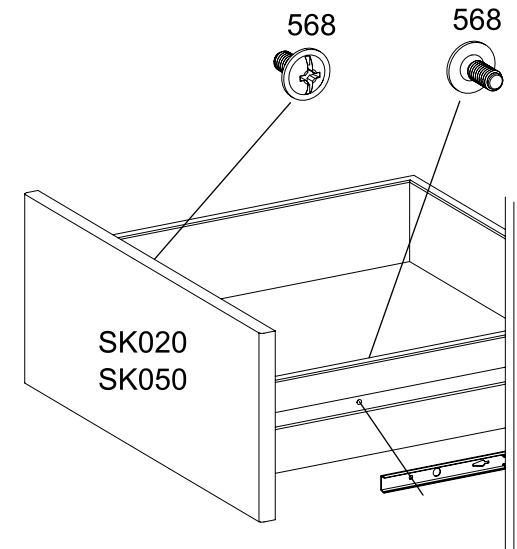


28

4x M4x9 568

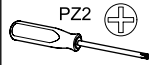
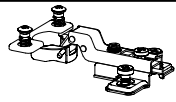


- SK020
- SK050

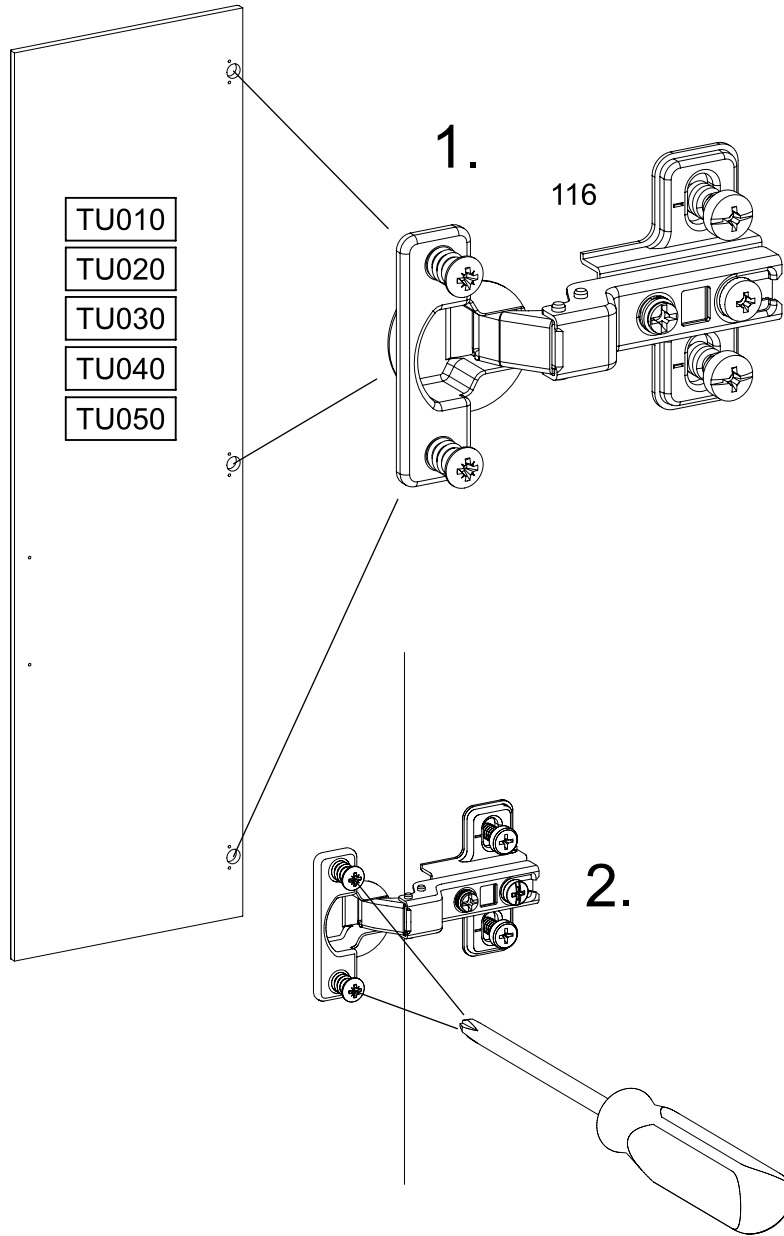


29

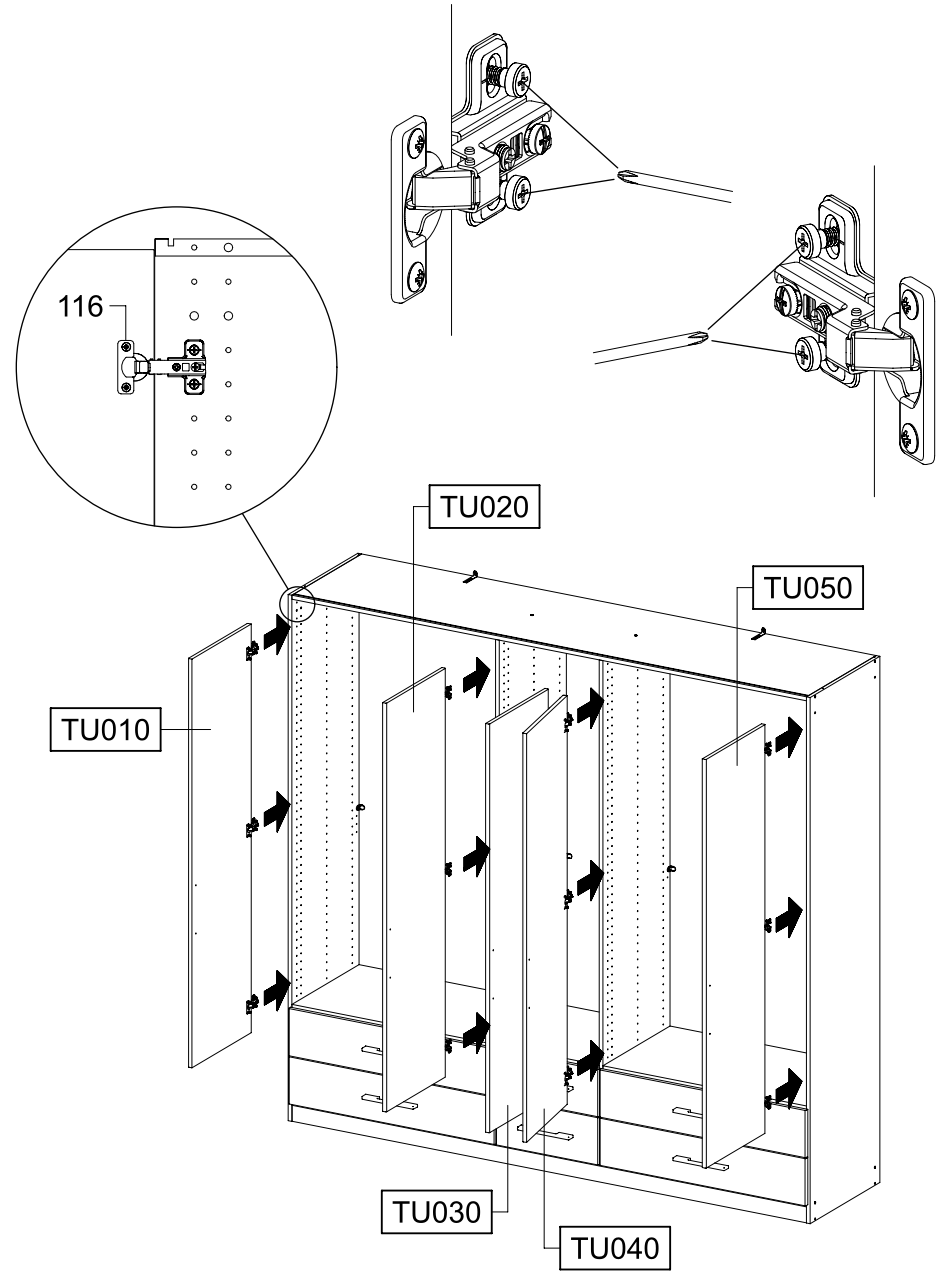
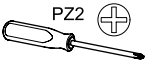
15x 116



SCAN ME



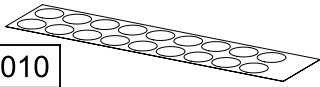
30



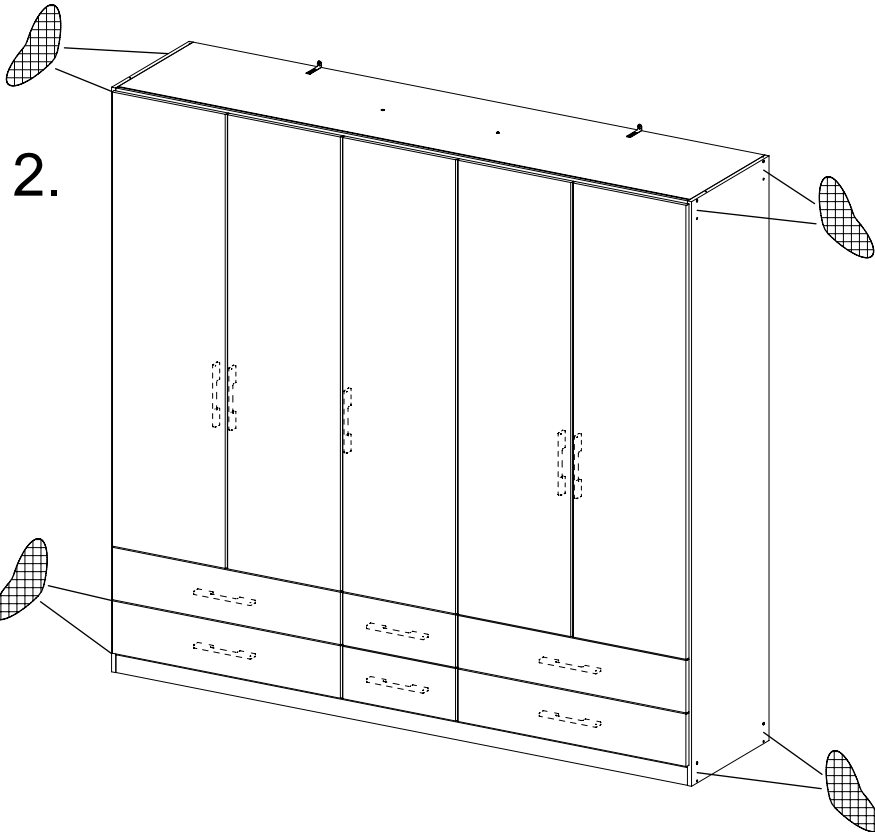
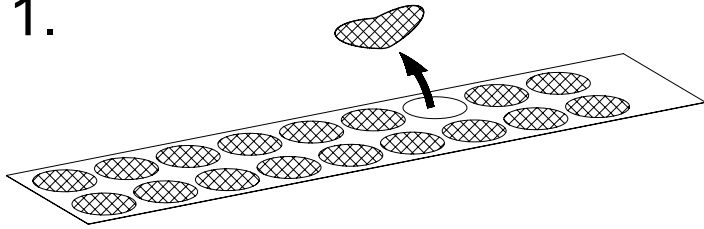
31

1x

RE010



1.



32

PZ2



SCAN ME

