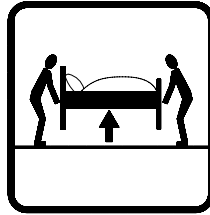
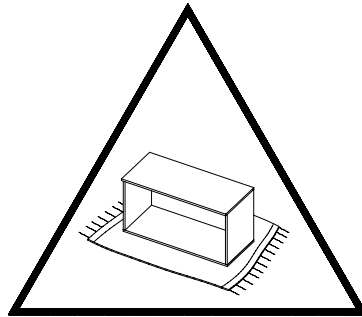
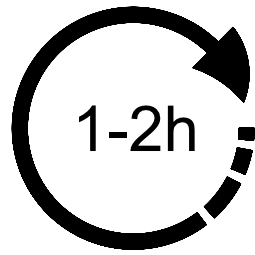
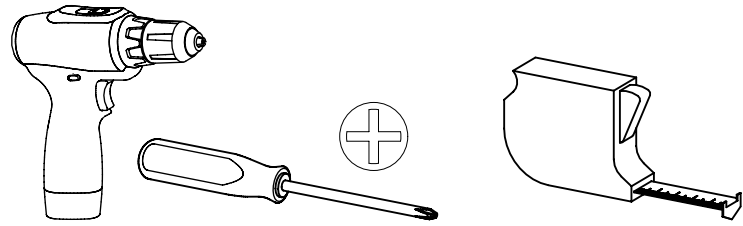
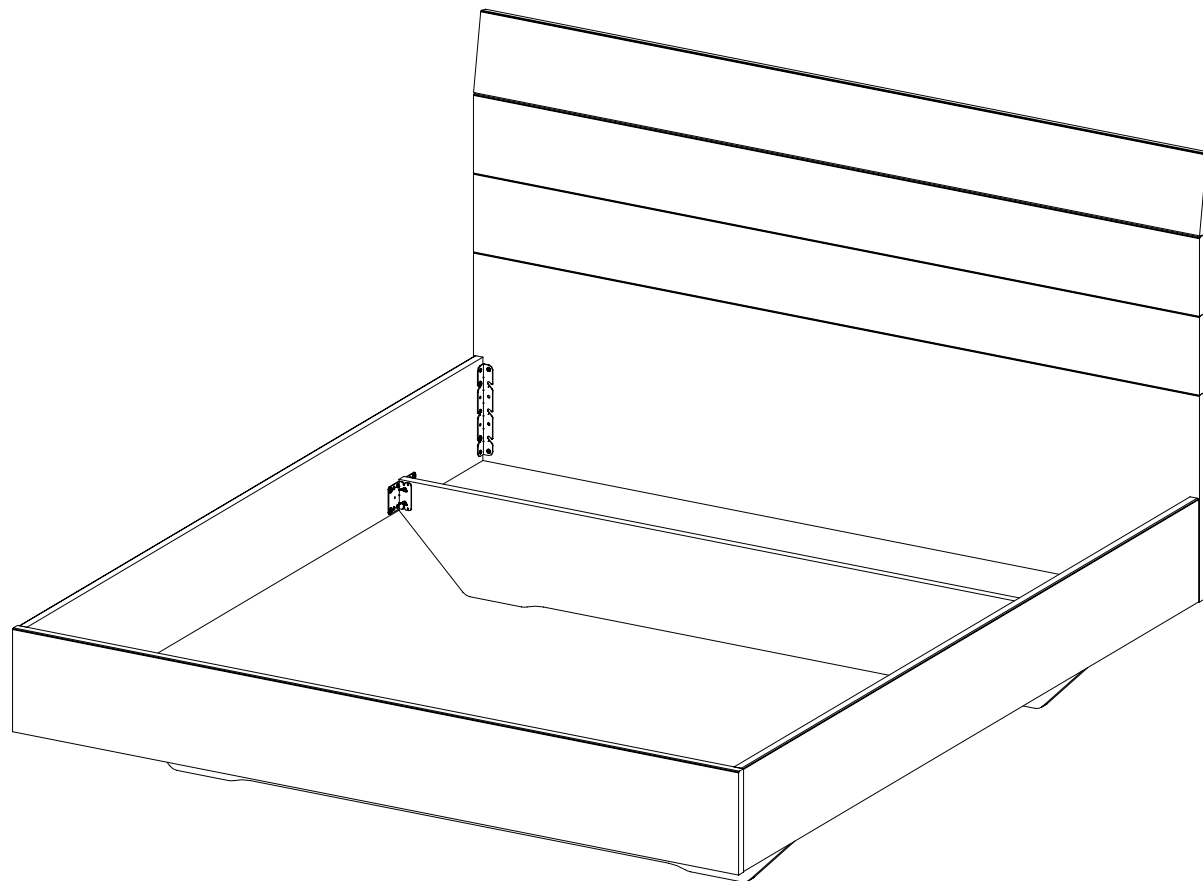


M2814_02

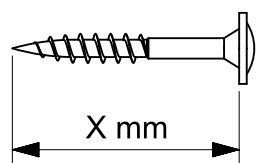
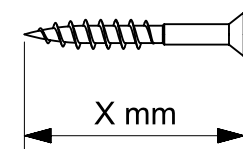
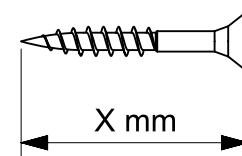
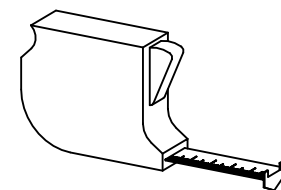
rauch

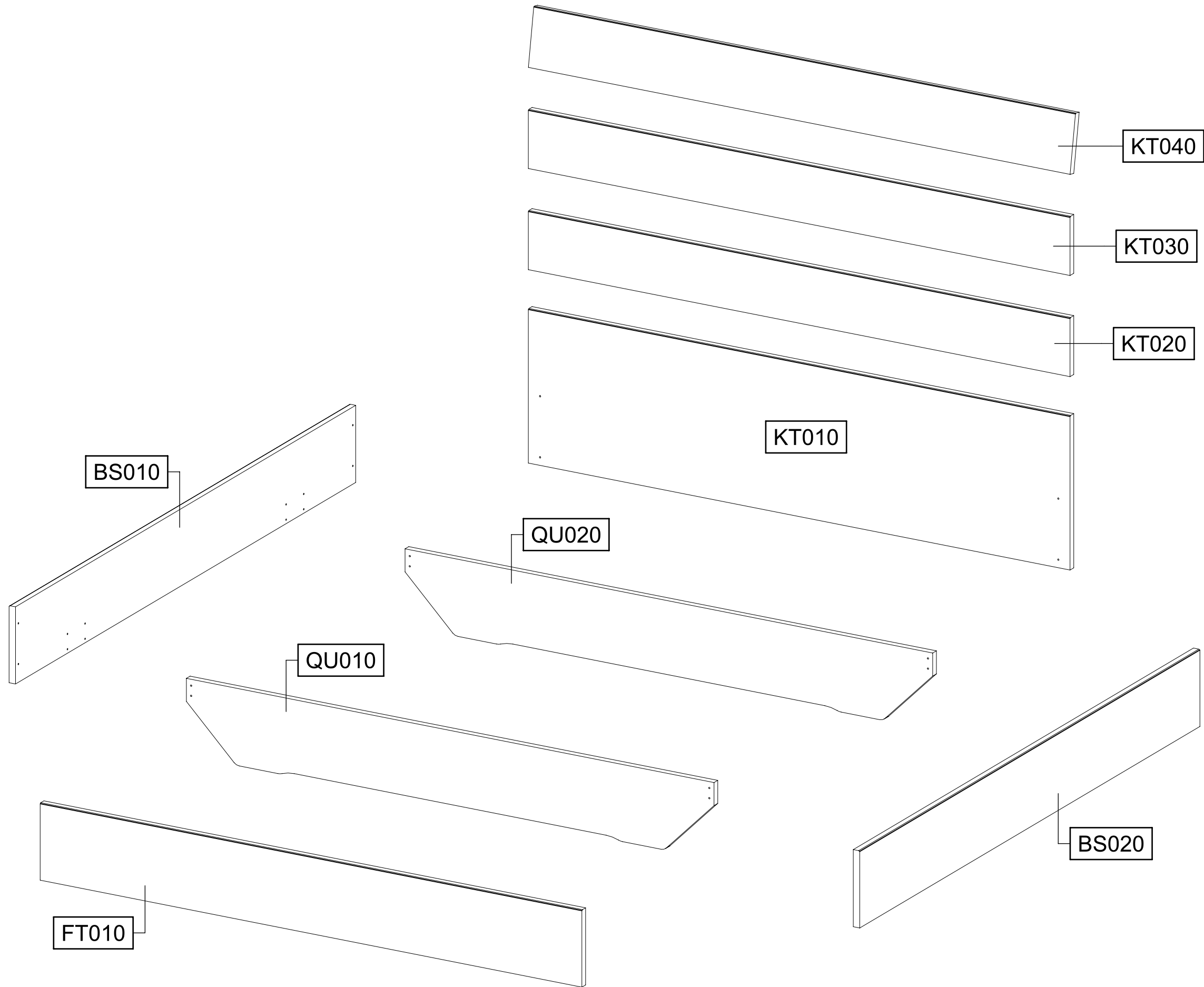


1-2h

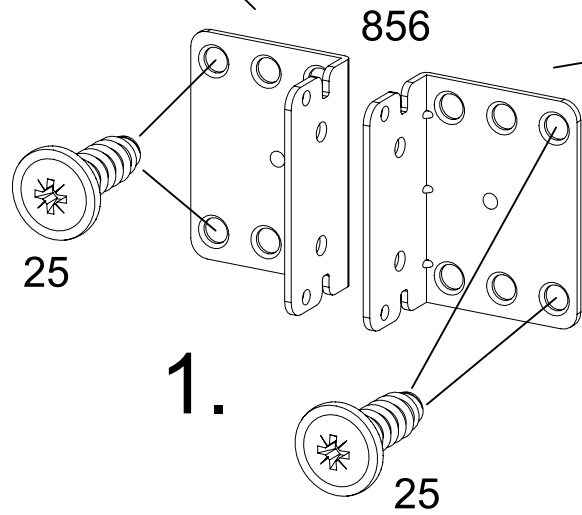
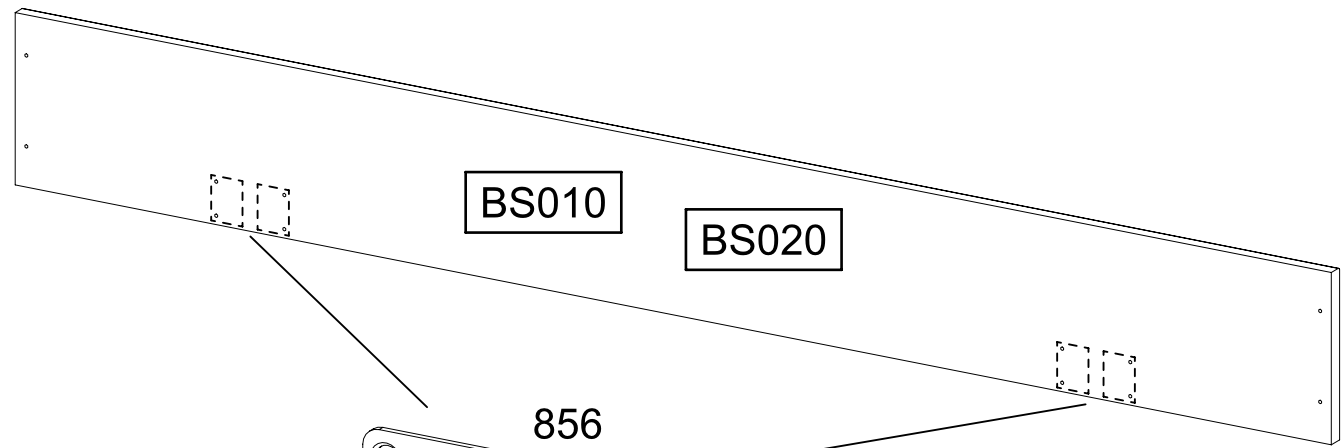


<p>46x 6,3x18 (25) </p>	<p>28x 4,5x16 (202) </p>	<p>4x M4 (580) </p>
<p>4x M4x12 (803) </p>	<p>8x M4 (176) </p>	<p>8x M4x32 (56) </p>
<p>6x 4,5x35 (214) </p>	<p>18x 6,3x32 (216) </p>	<p>8x (856) </p>
<p>4x 212x25x25 (456) </p>	<p>4x 64x20x4 (855) </p>	
<p>3x 581x30/15x1.5 (1121) </p>	<p>3x (114) </p>	

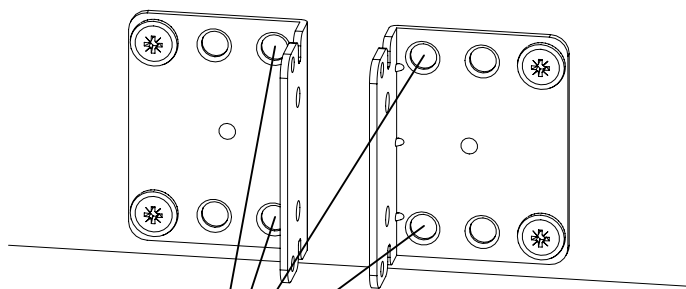




- 1 16x ^{6,3x18} (25) 16x ^{4,5x16} (202) 8x (856)

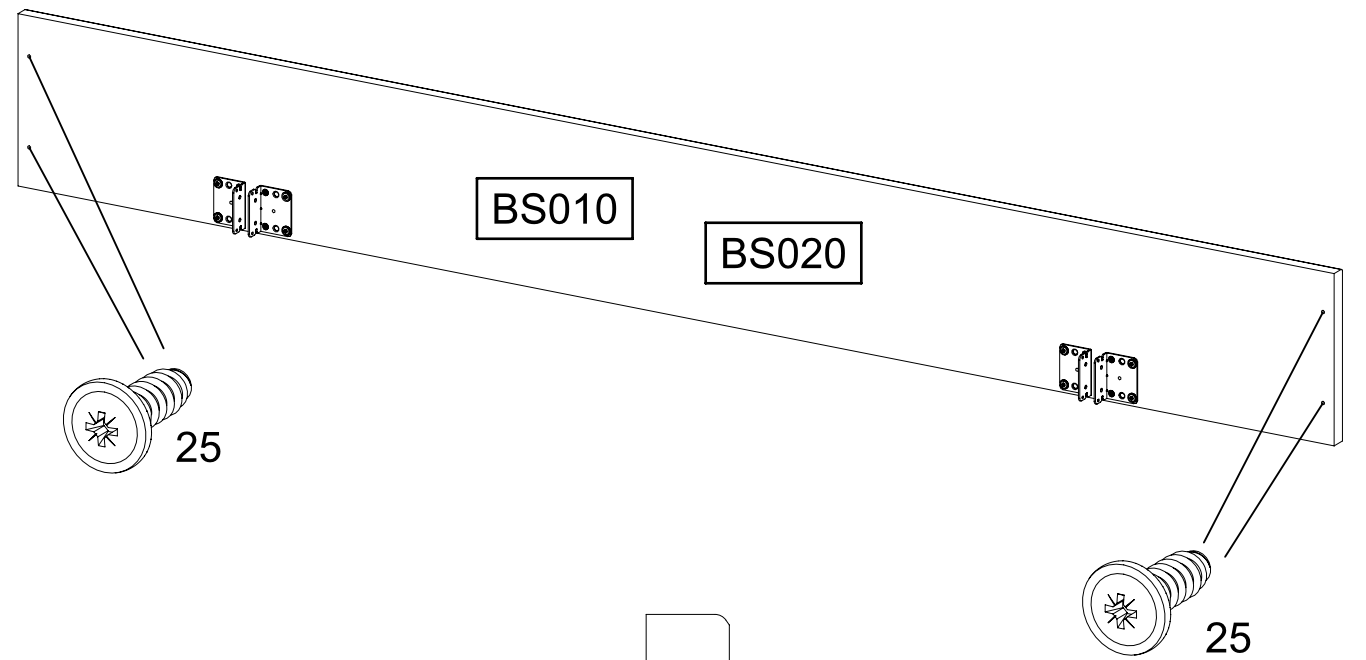


1.



2. 202

- 2 8x ^{6,3x18} (25)



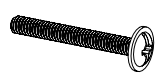
5mm

BS010
BS020

3

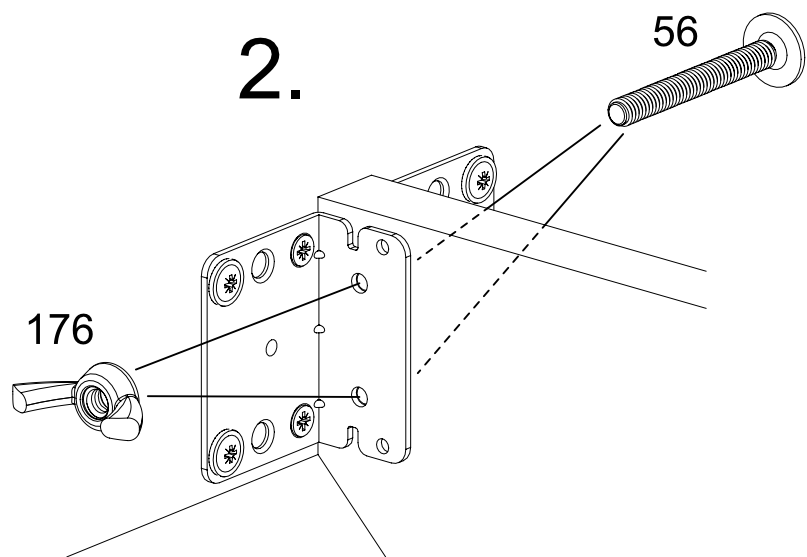
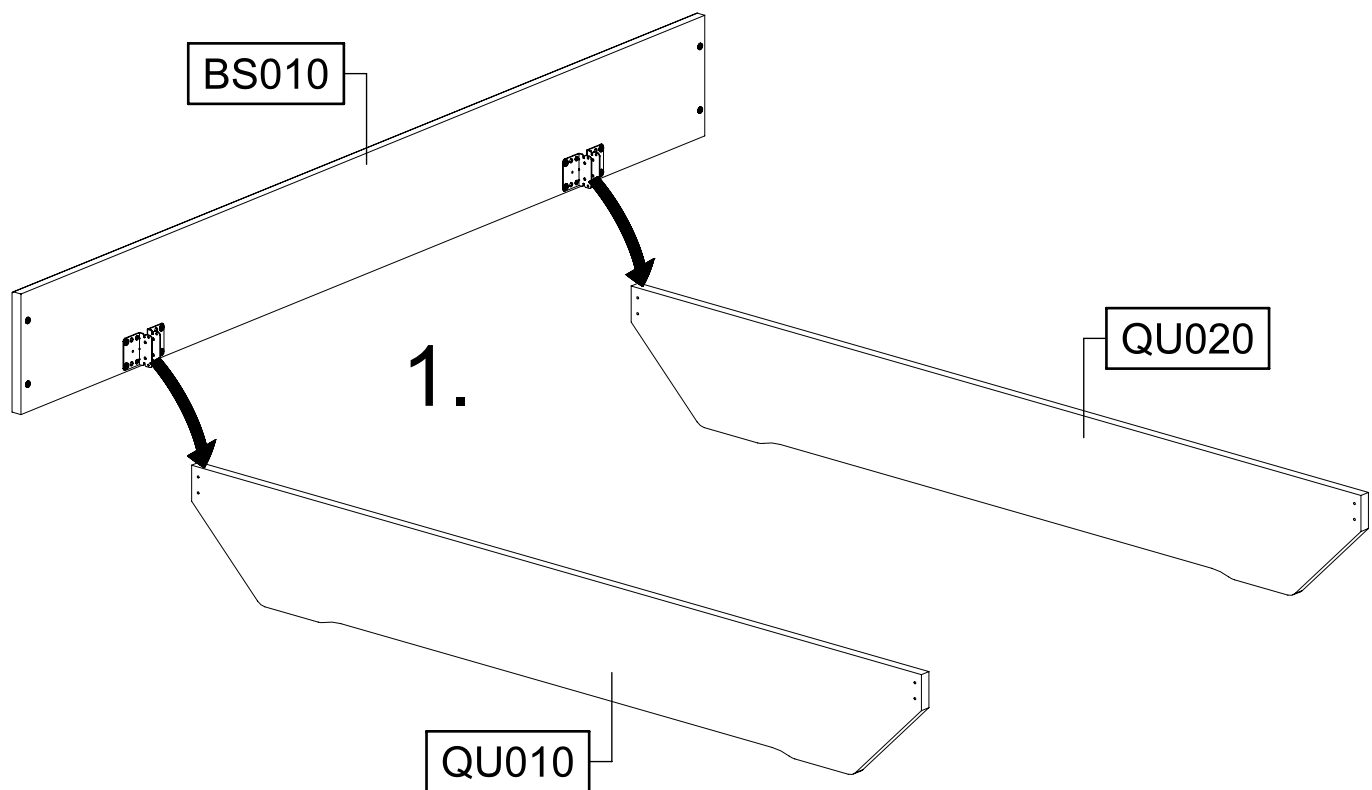
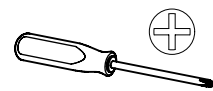
4x 56

M4x32



4x 176

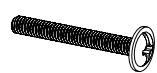
M4



4

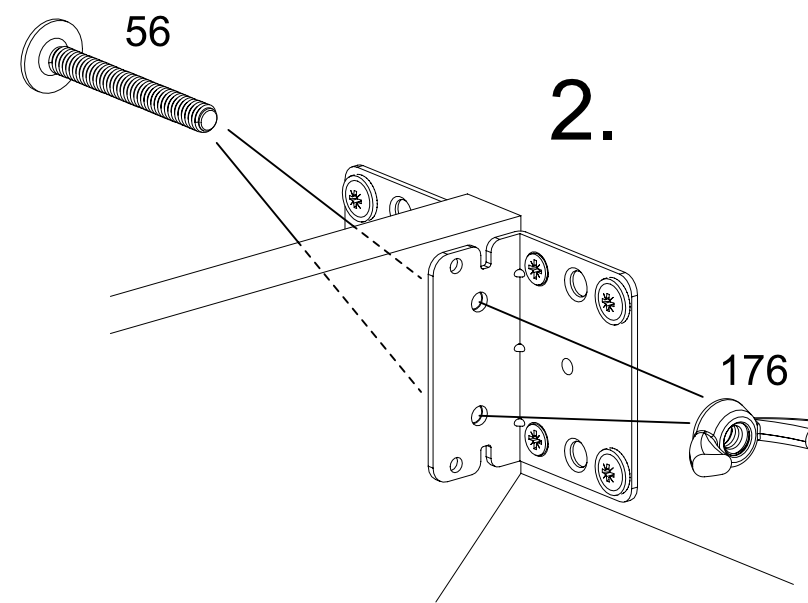
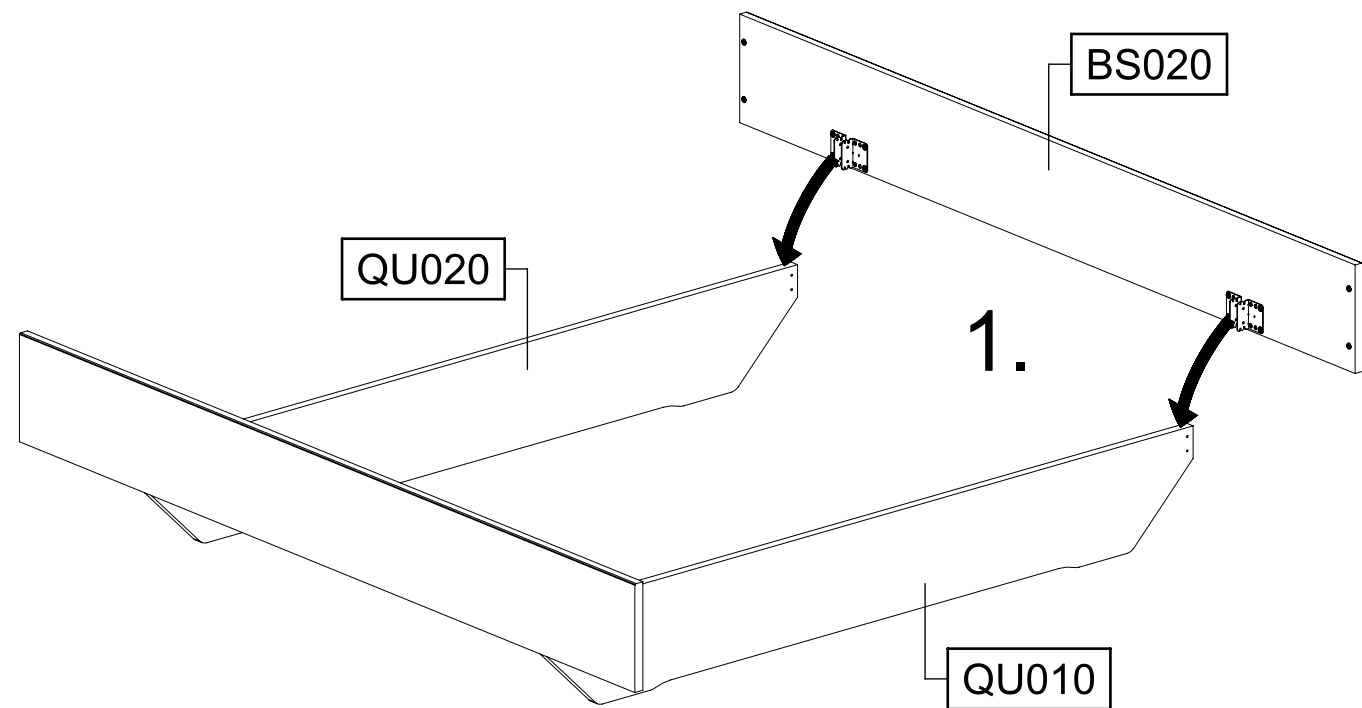
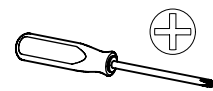
4x 56

M4x32



4x 176

M4



5

6x

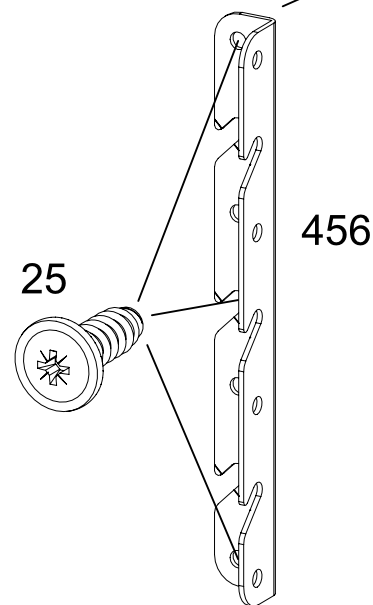
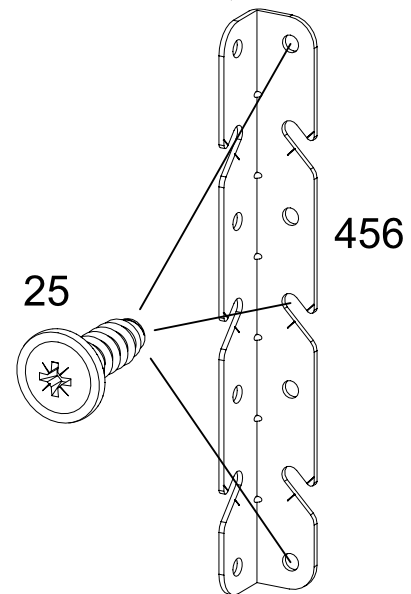
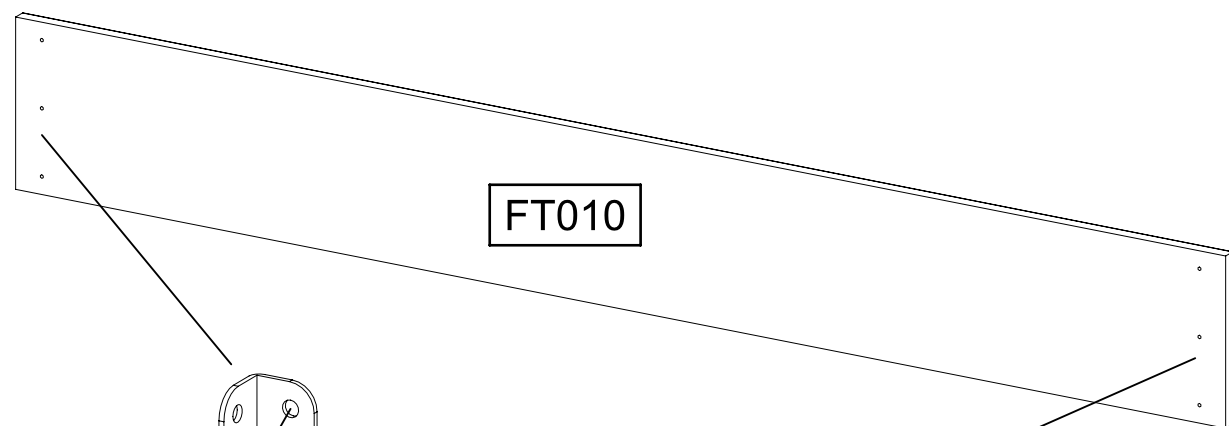
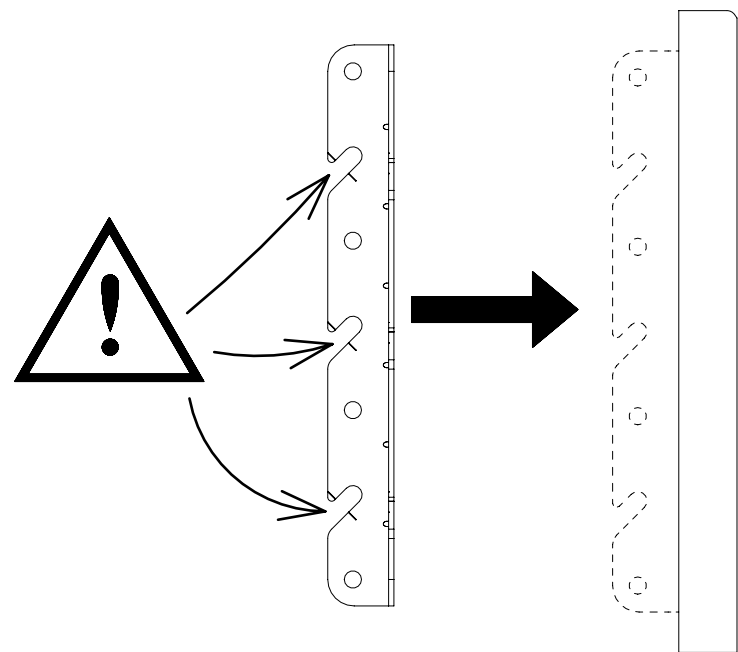
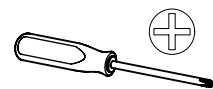
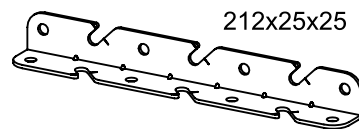
25

6,3x18

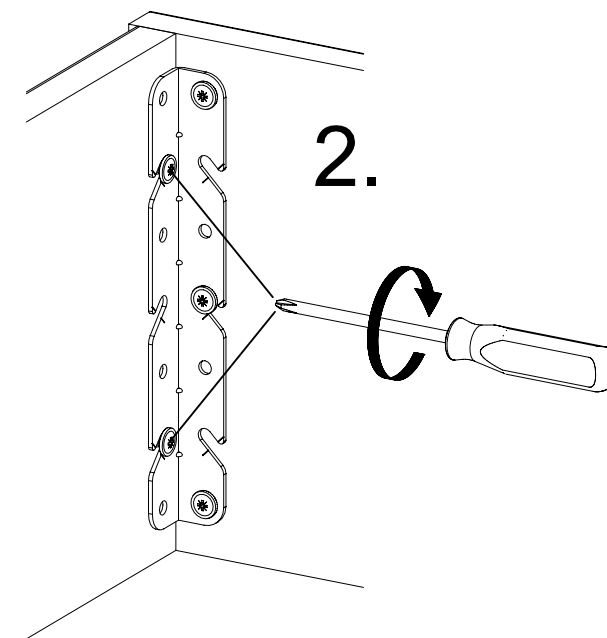
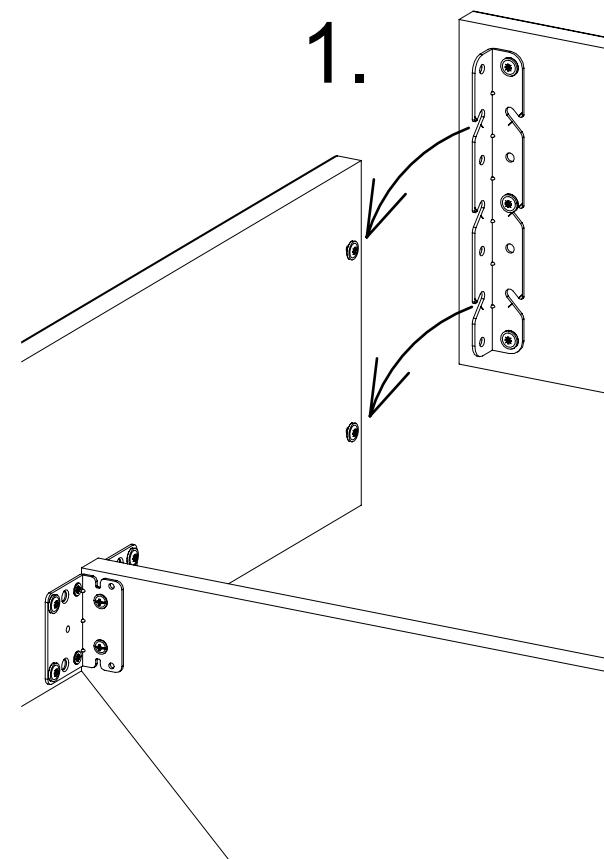
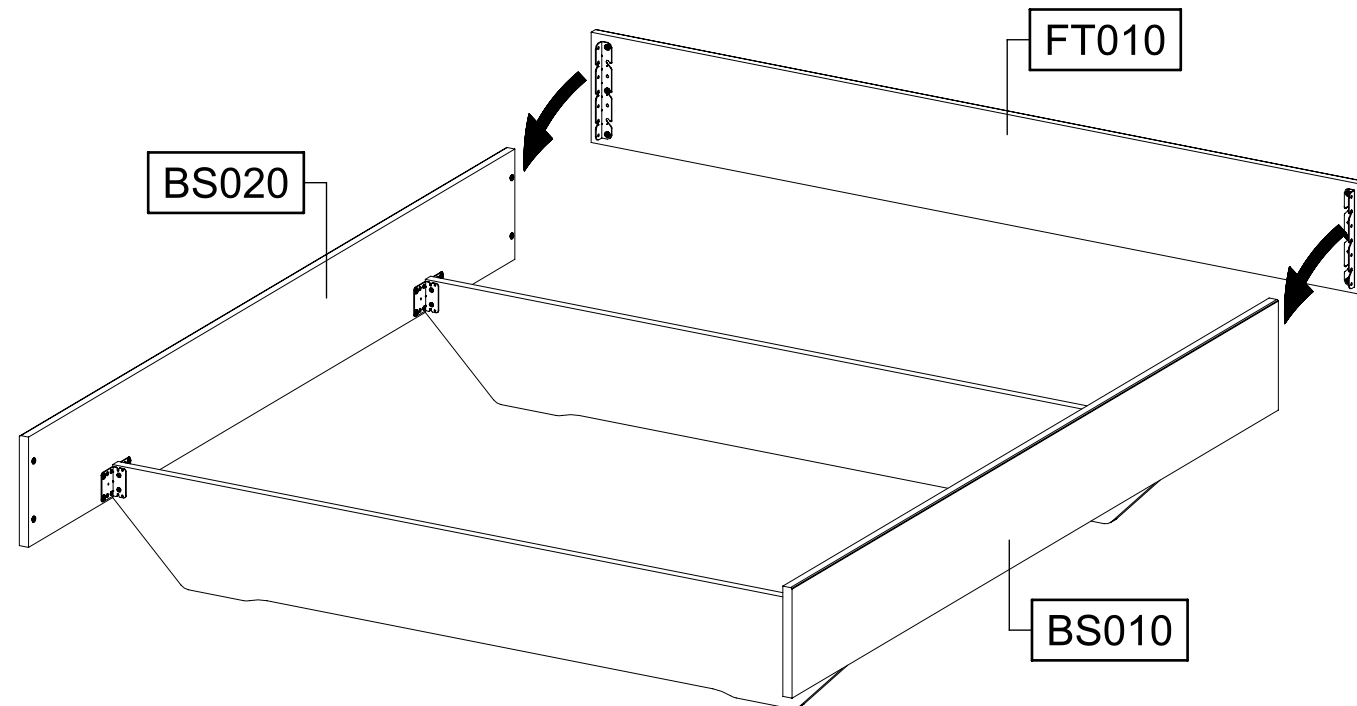
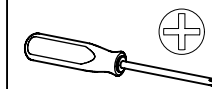


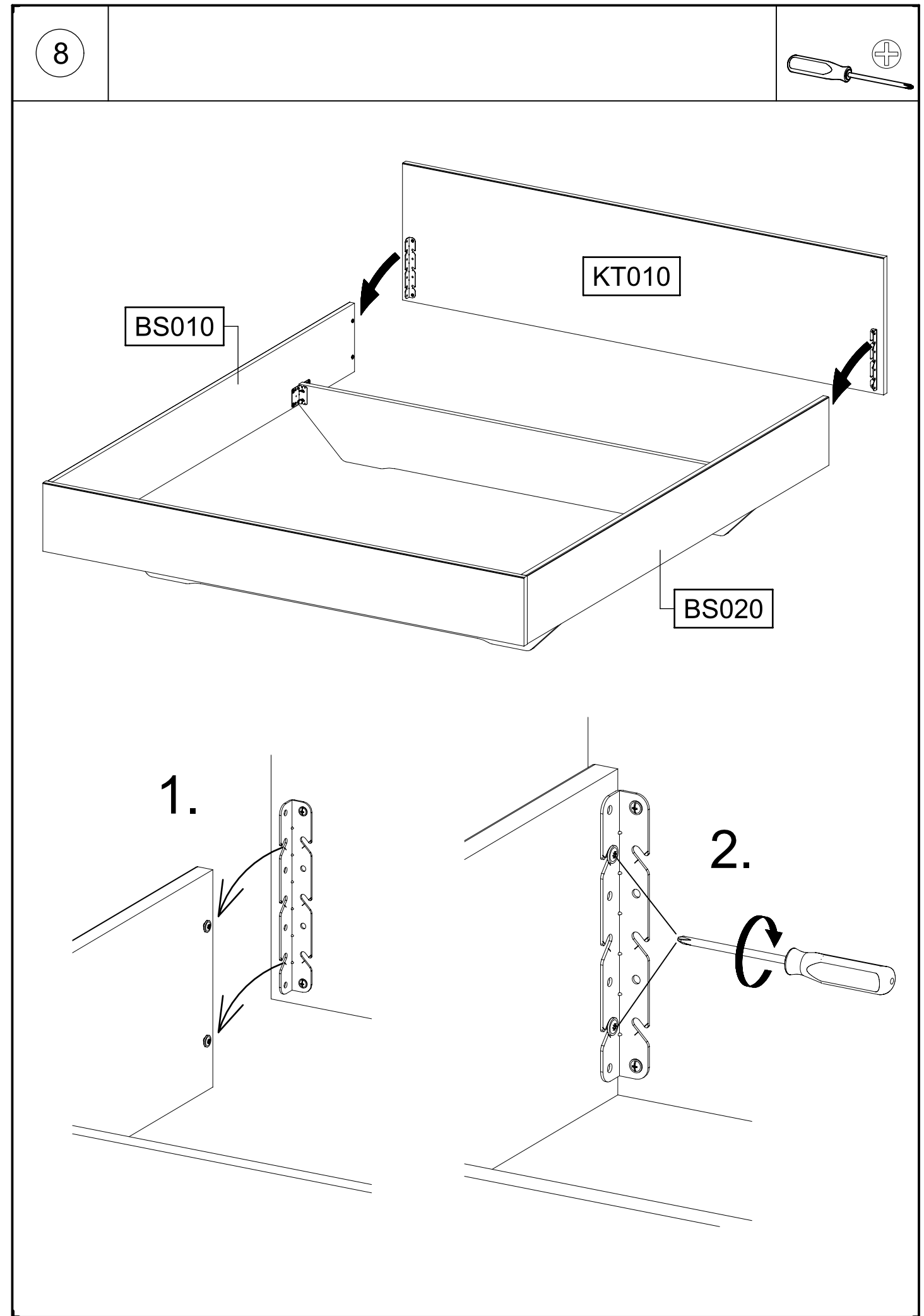
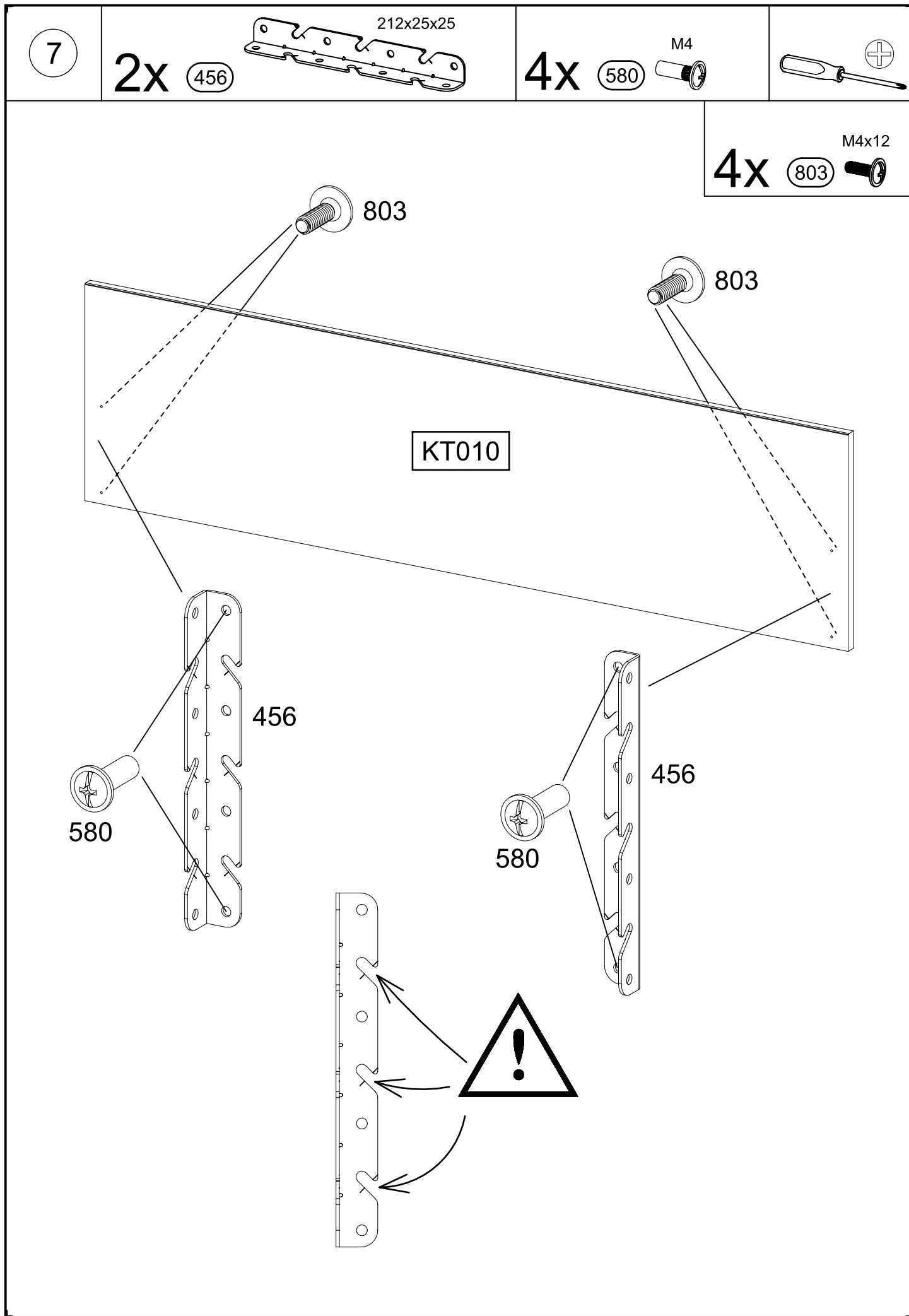
2x

456



6



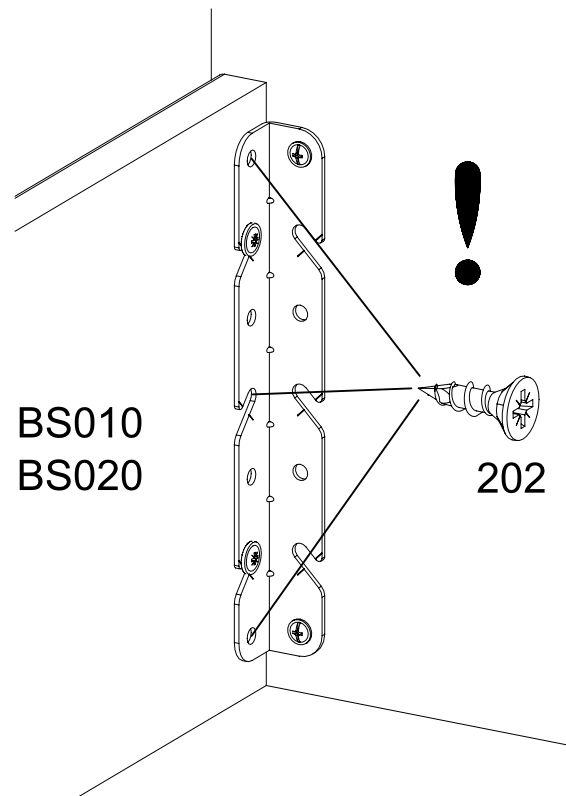
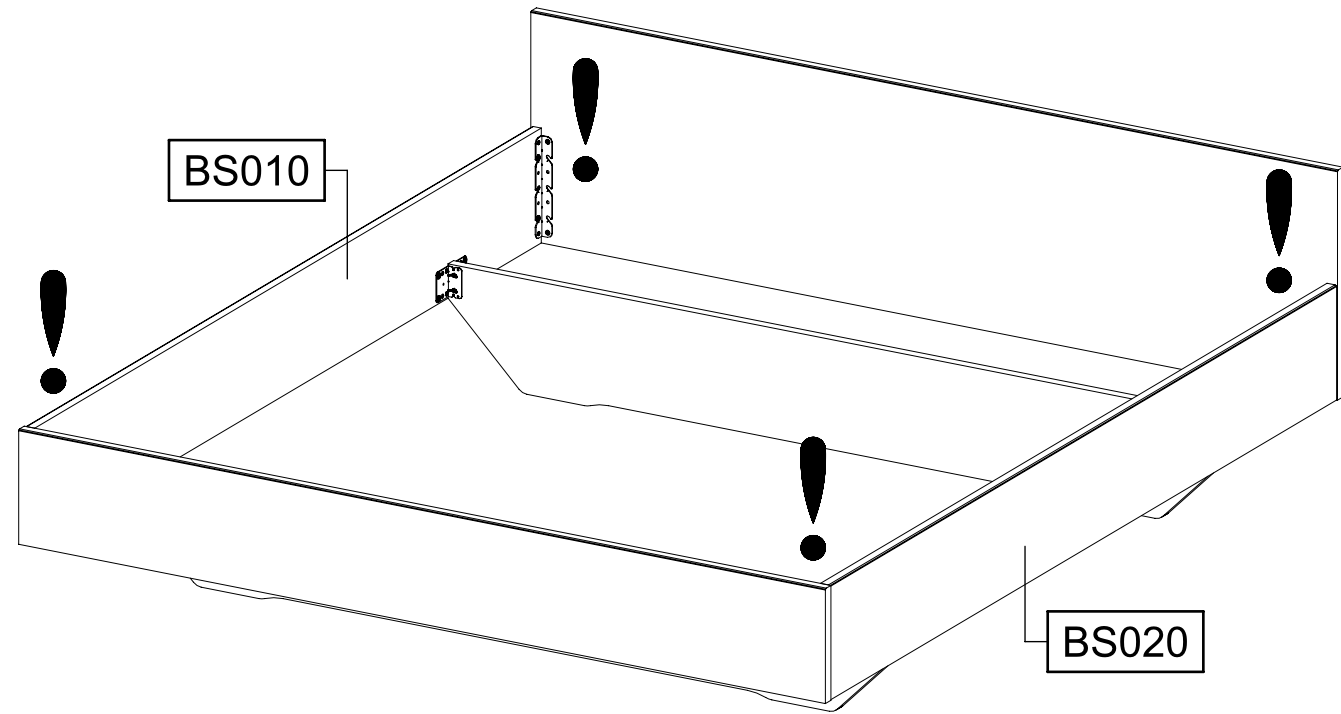
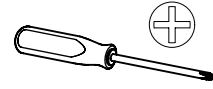


9

12x

202

4,5x16

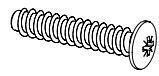


10

6x

216

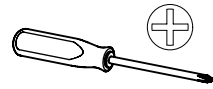
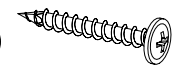
6,3x32



6x

214

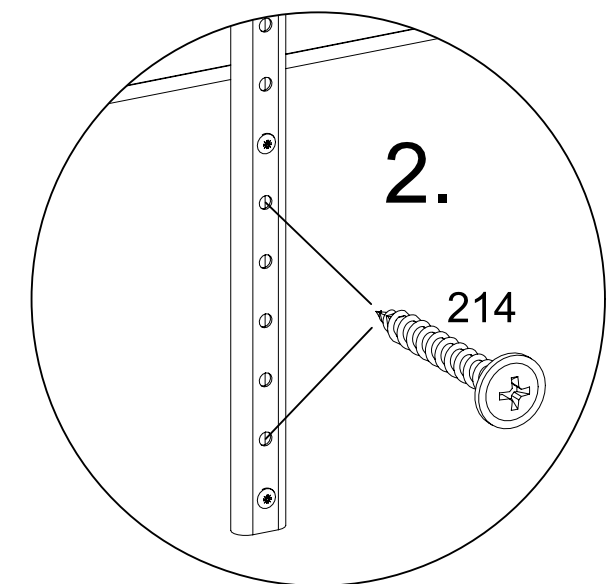
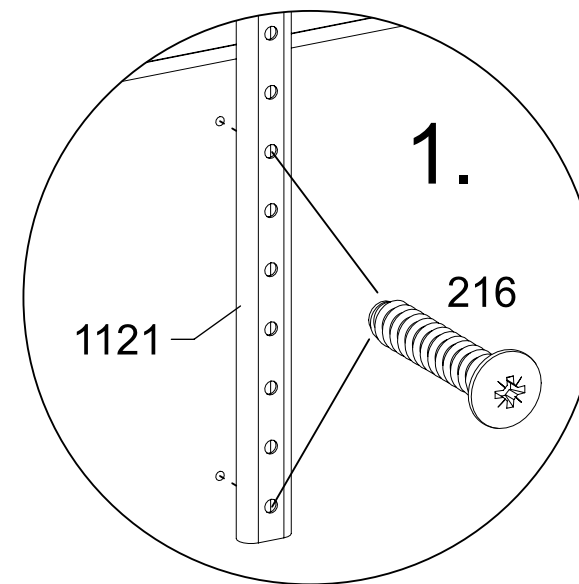
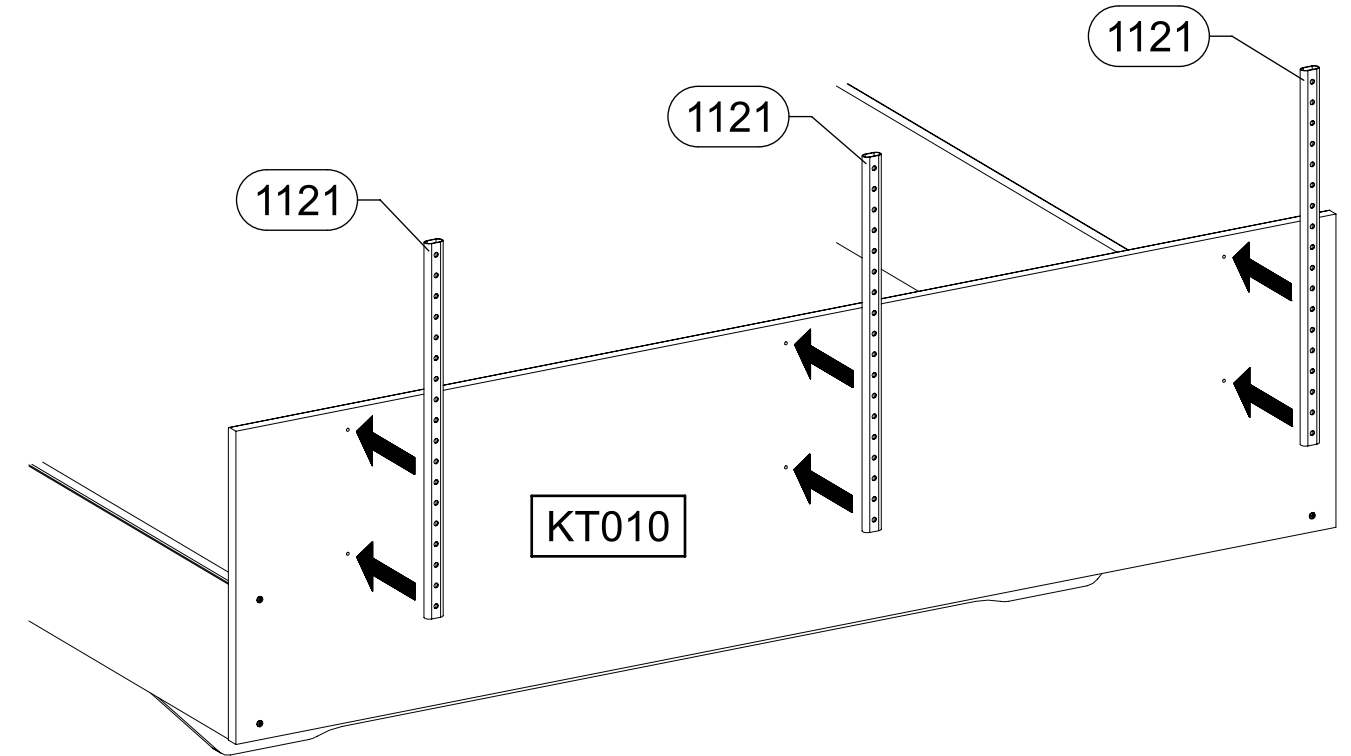
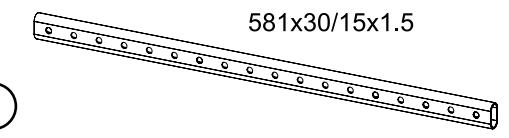
4,5x35



3x

1121

581x30/15x1.5

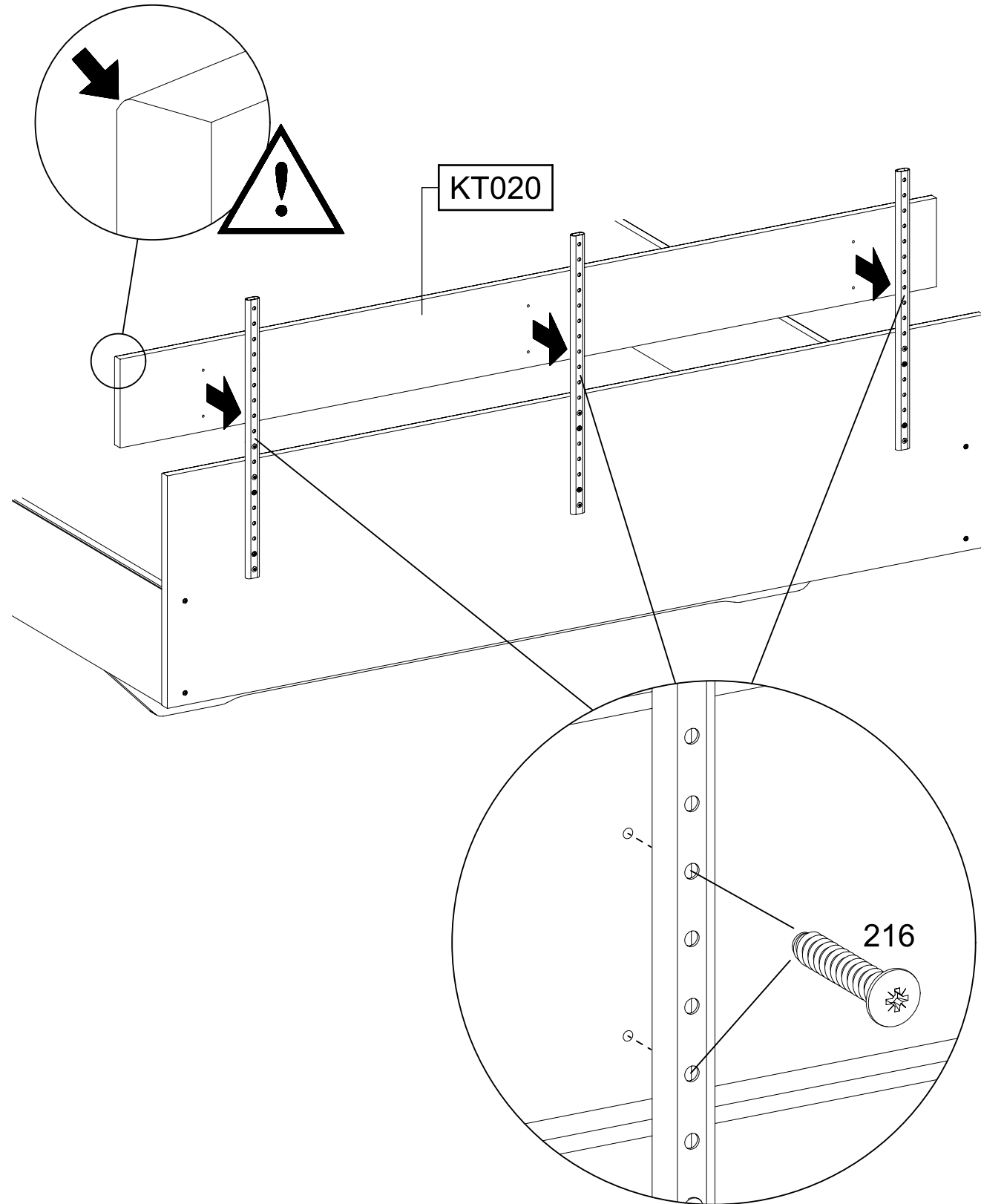
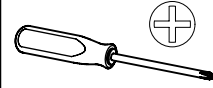
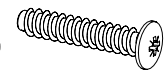


11

6x

216

6,3x32

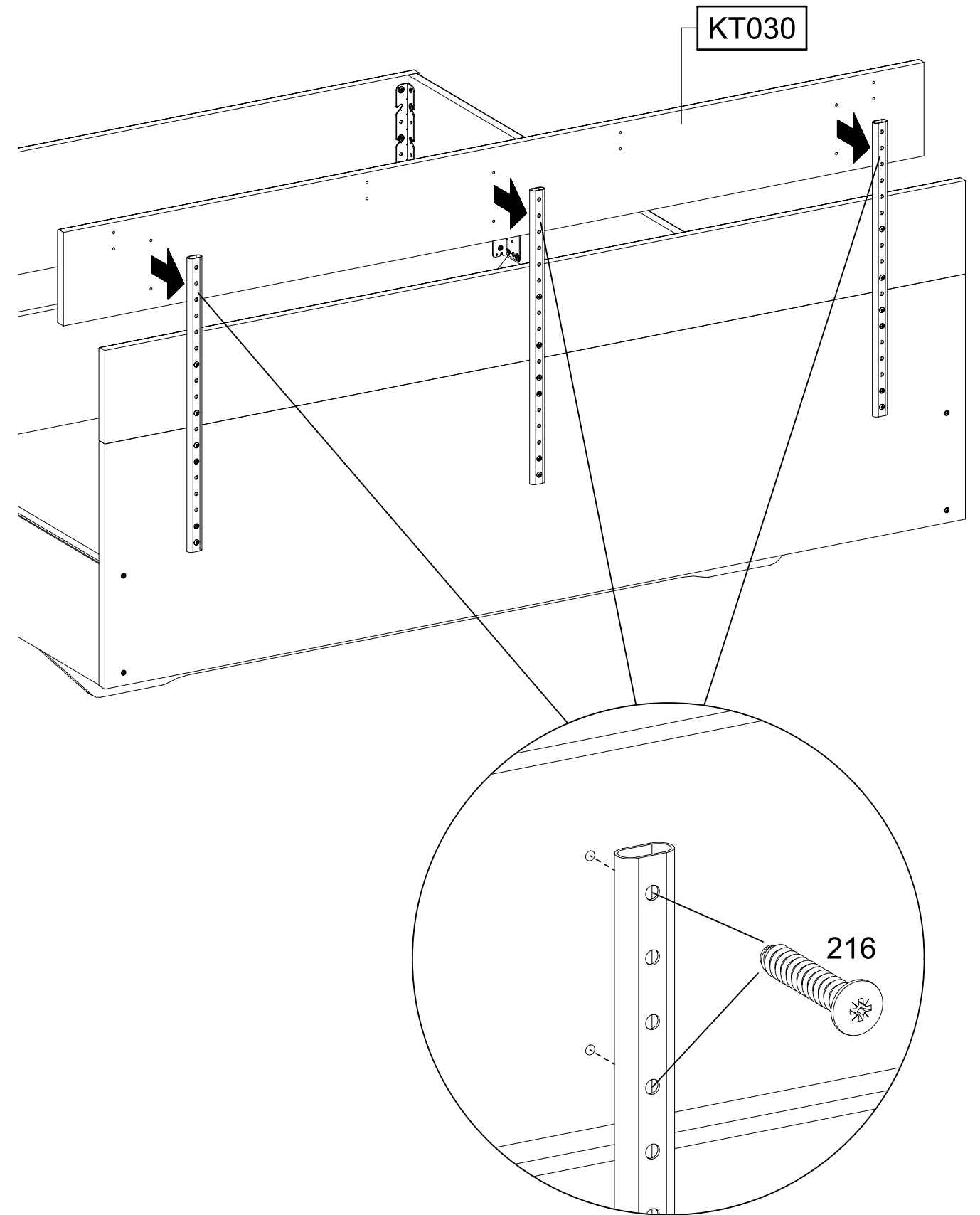
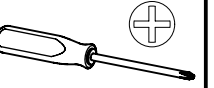
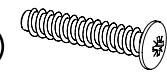


12

6x

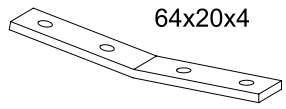
216

6,3x32



13

4x 855

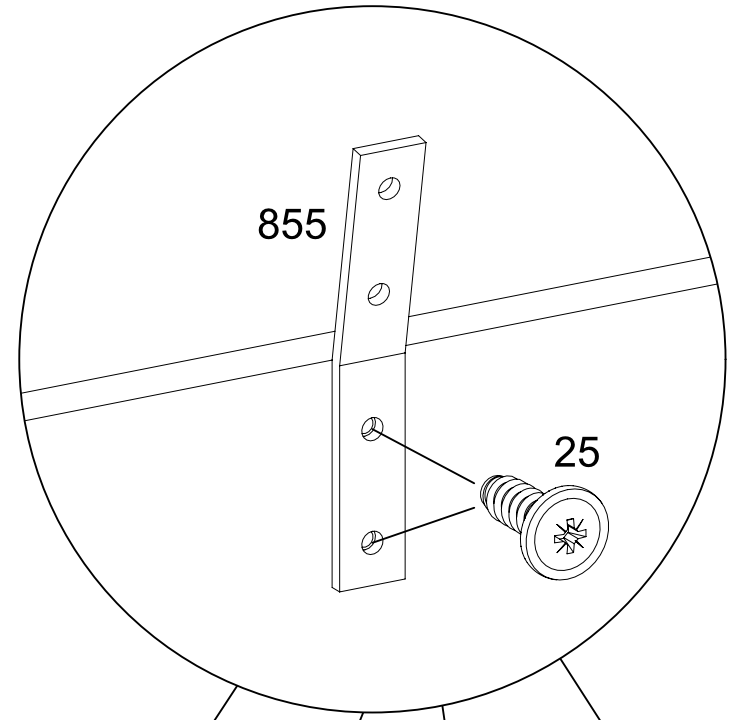
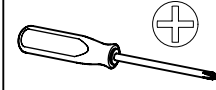


64x20x4

8x 25



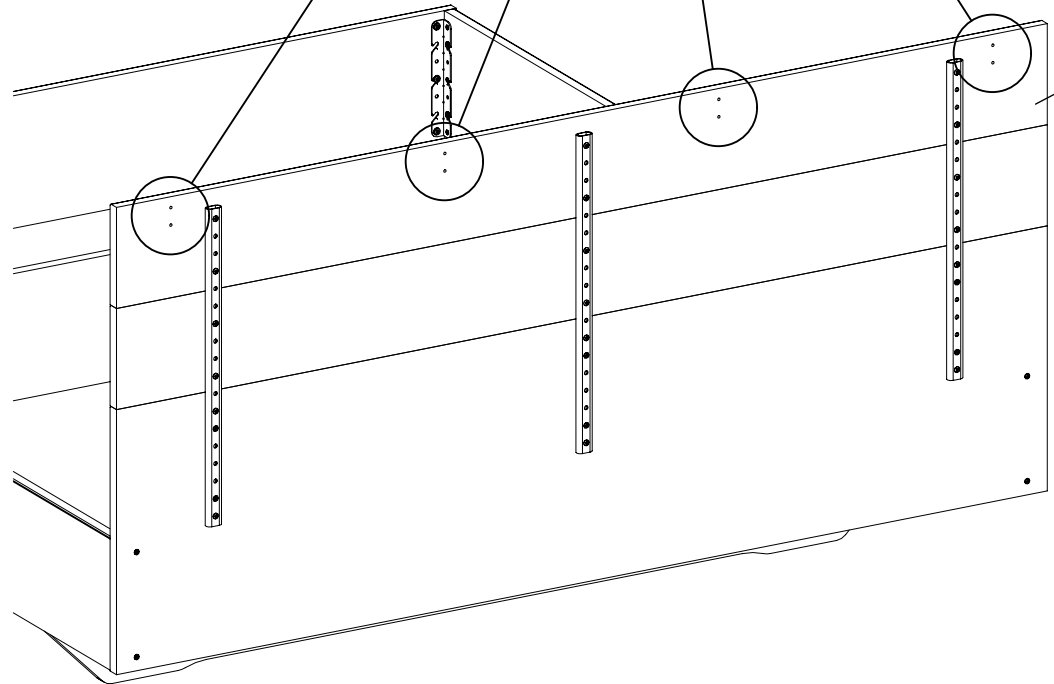
6,3x18



855

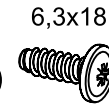
25

KT030

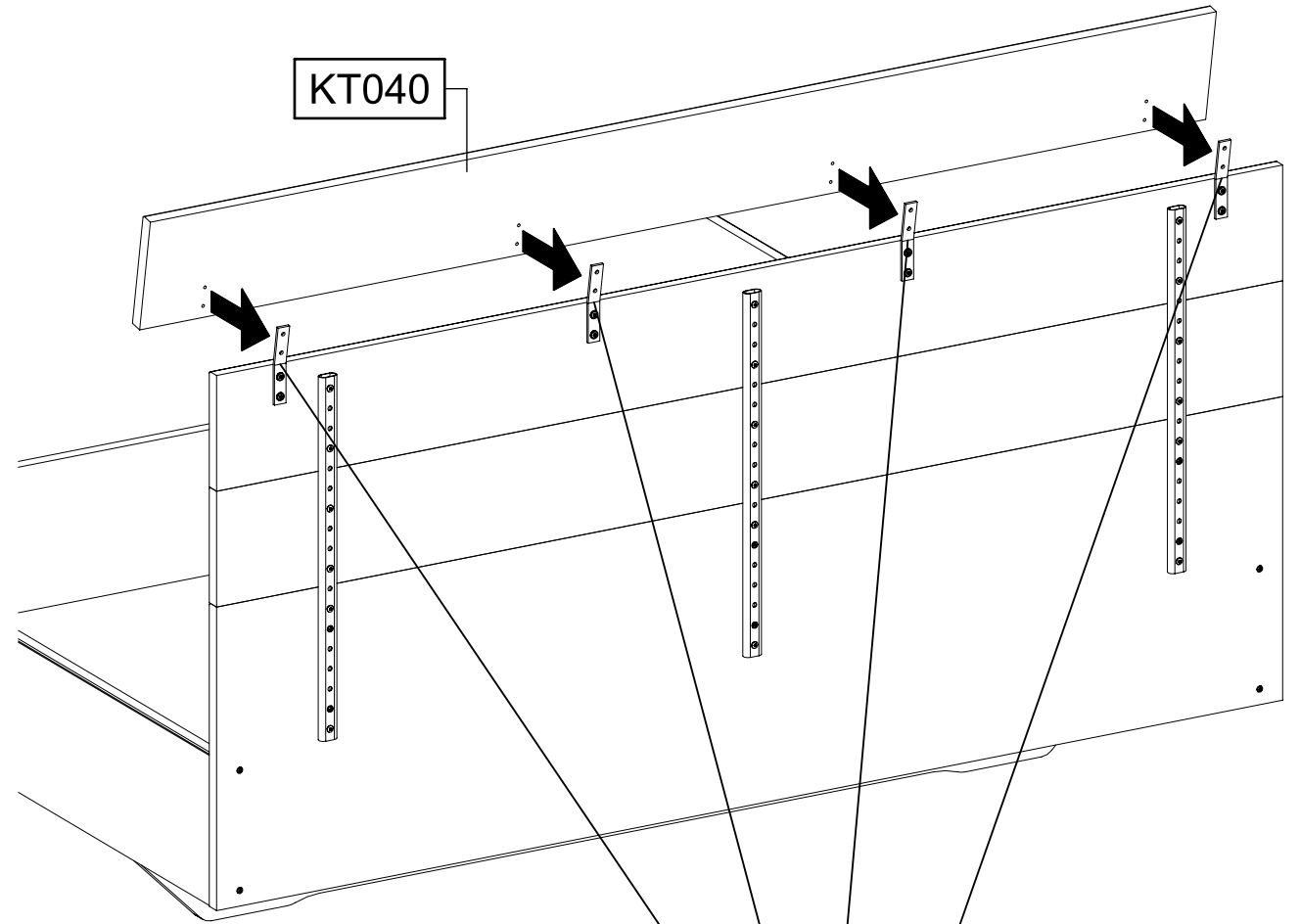
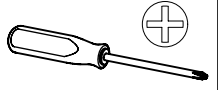


14

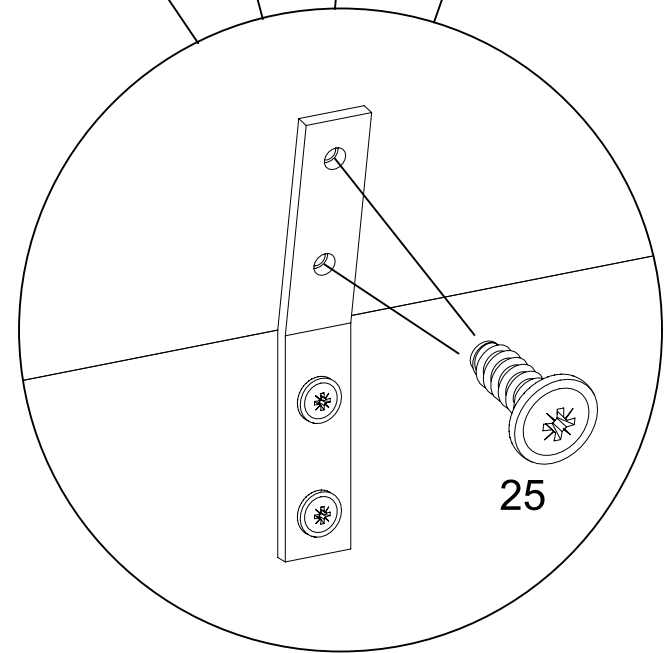
8x 25



6,3x18



KT040



25

15

3x

114

