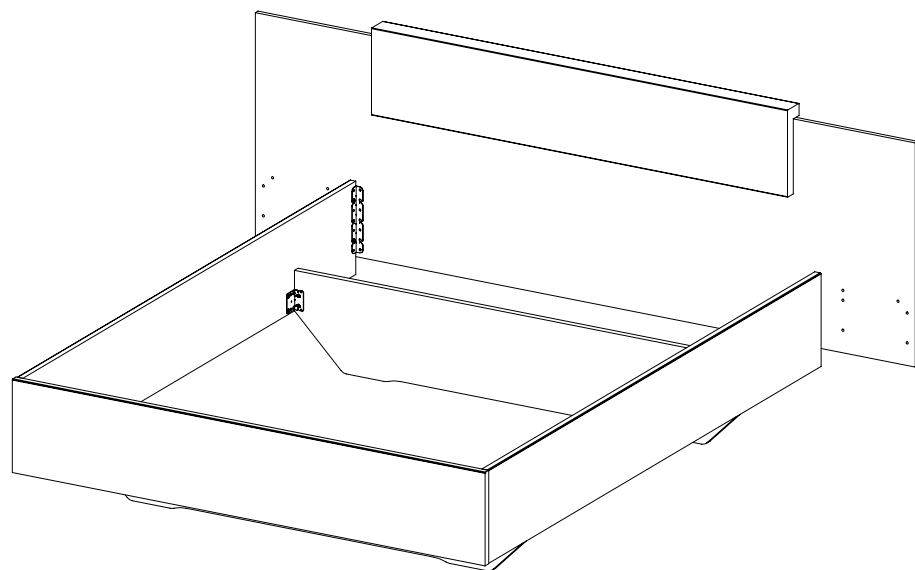
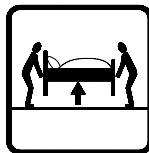
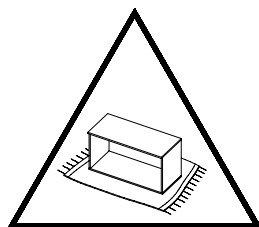
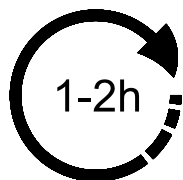
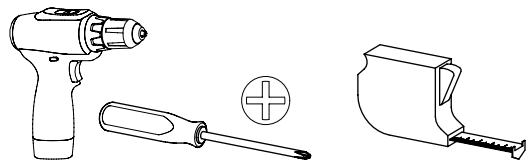


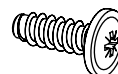
M2765_02



30x

6,3x18

25



28x

4,5x16

202



4x

M4

580



4x

M4x12

803



8x

M4

176



8x

M4x32

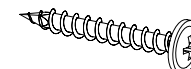
56



2x

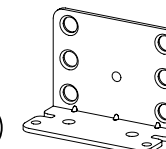
4,5x35

214



8x

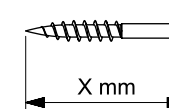
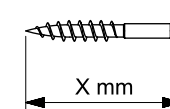
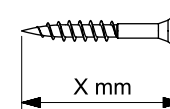
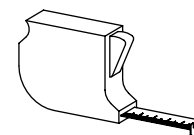
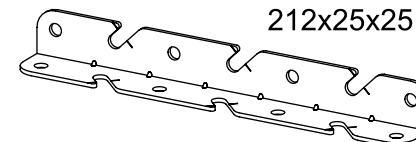
856

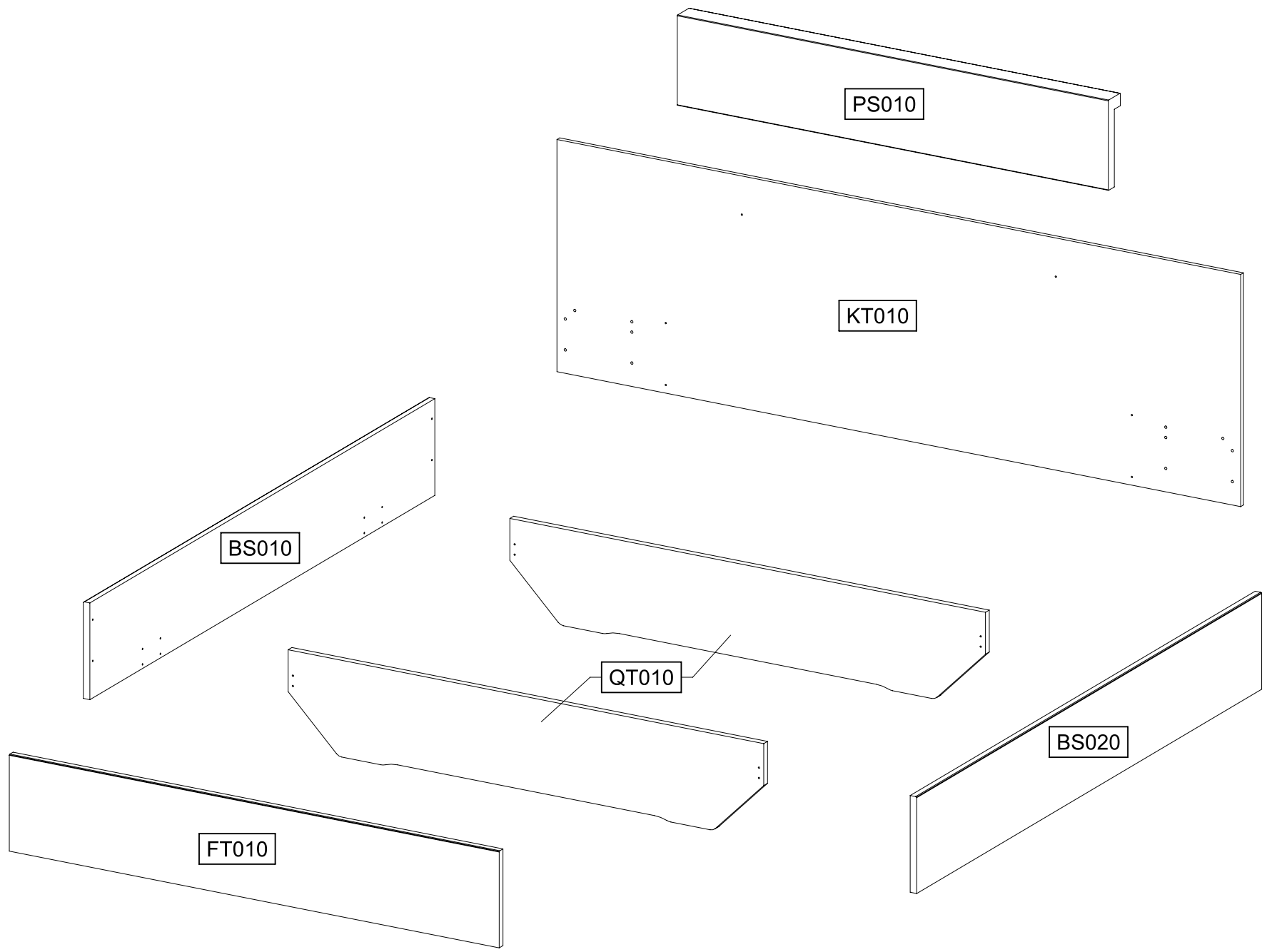


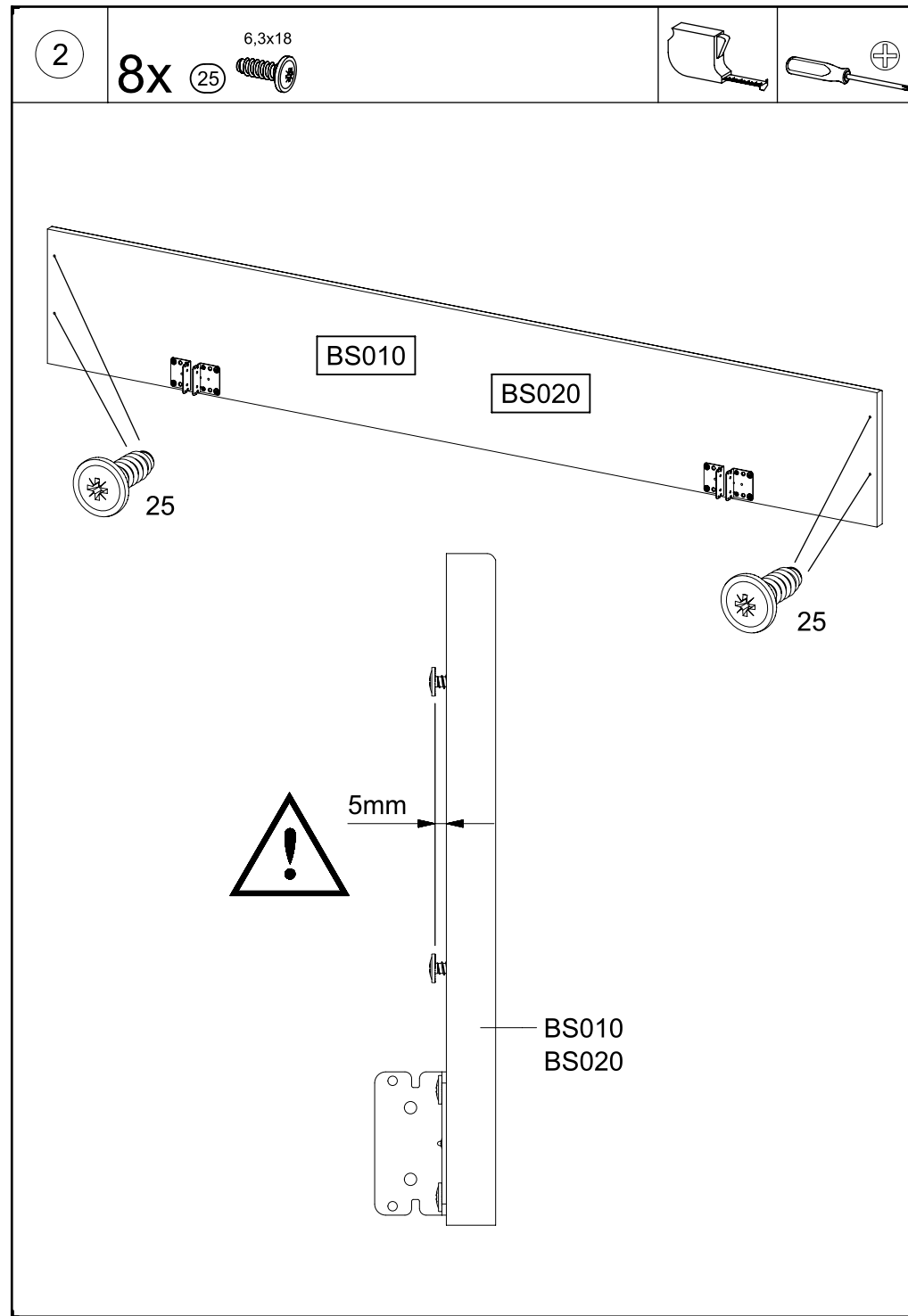
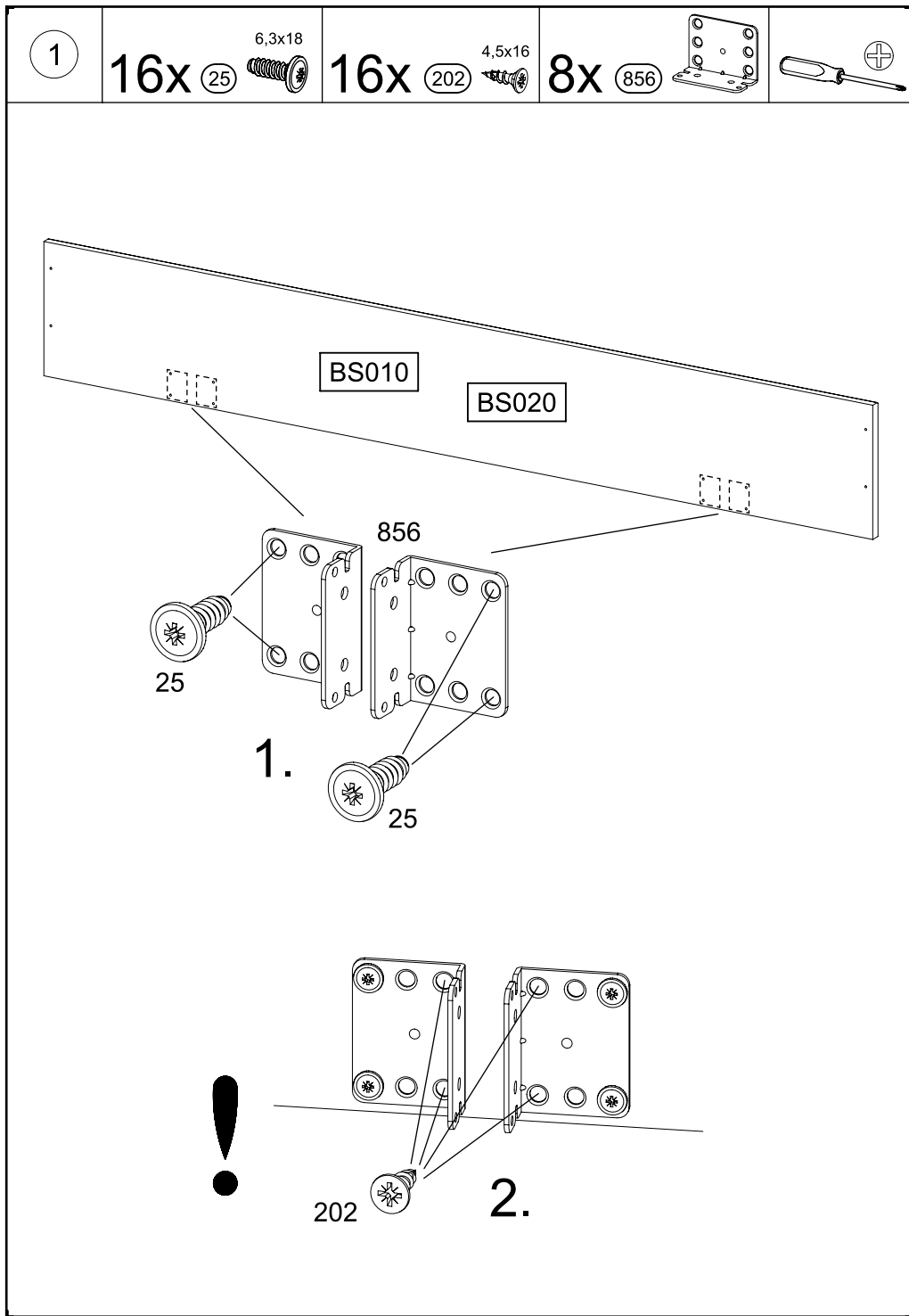
4x

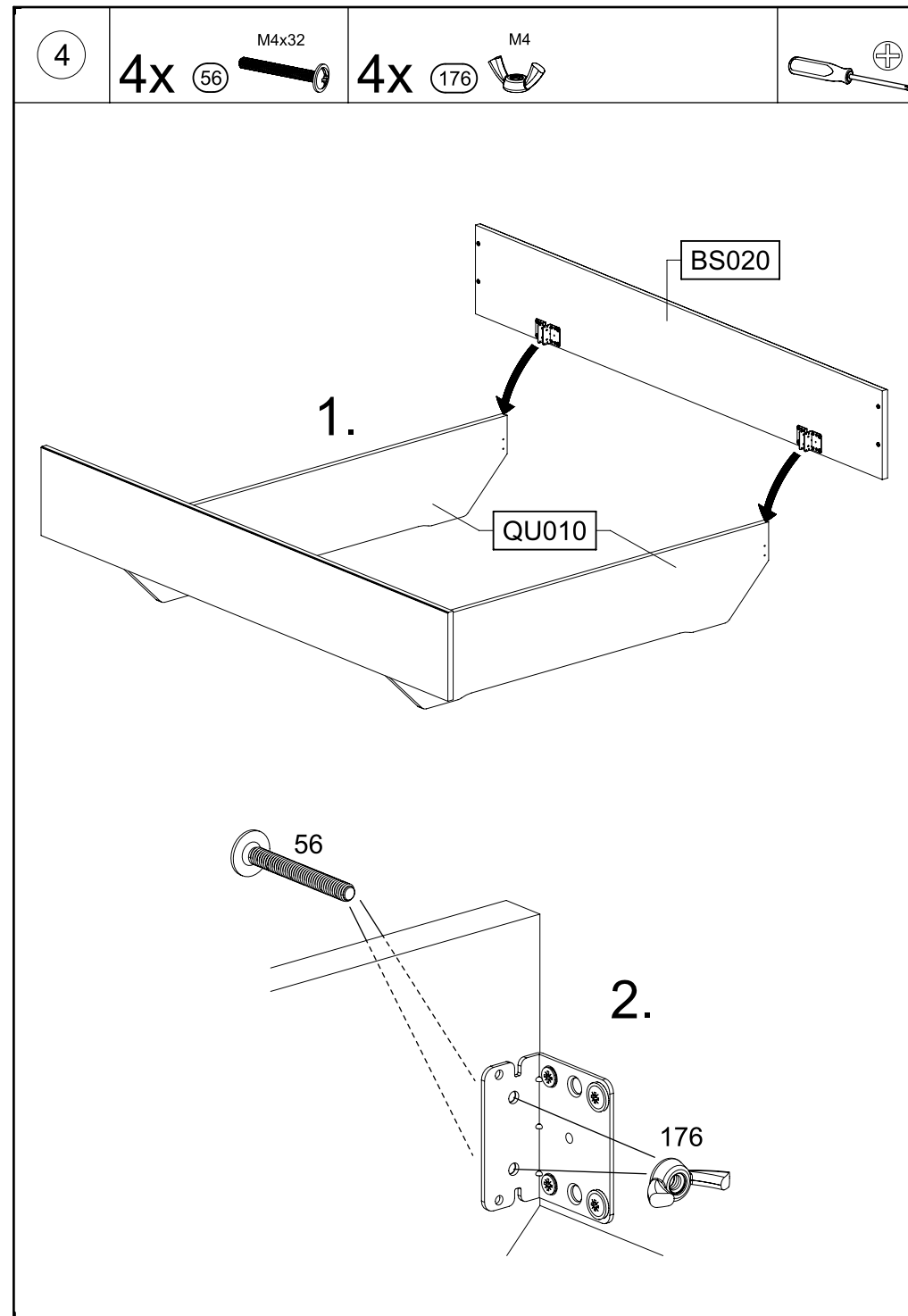
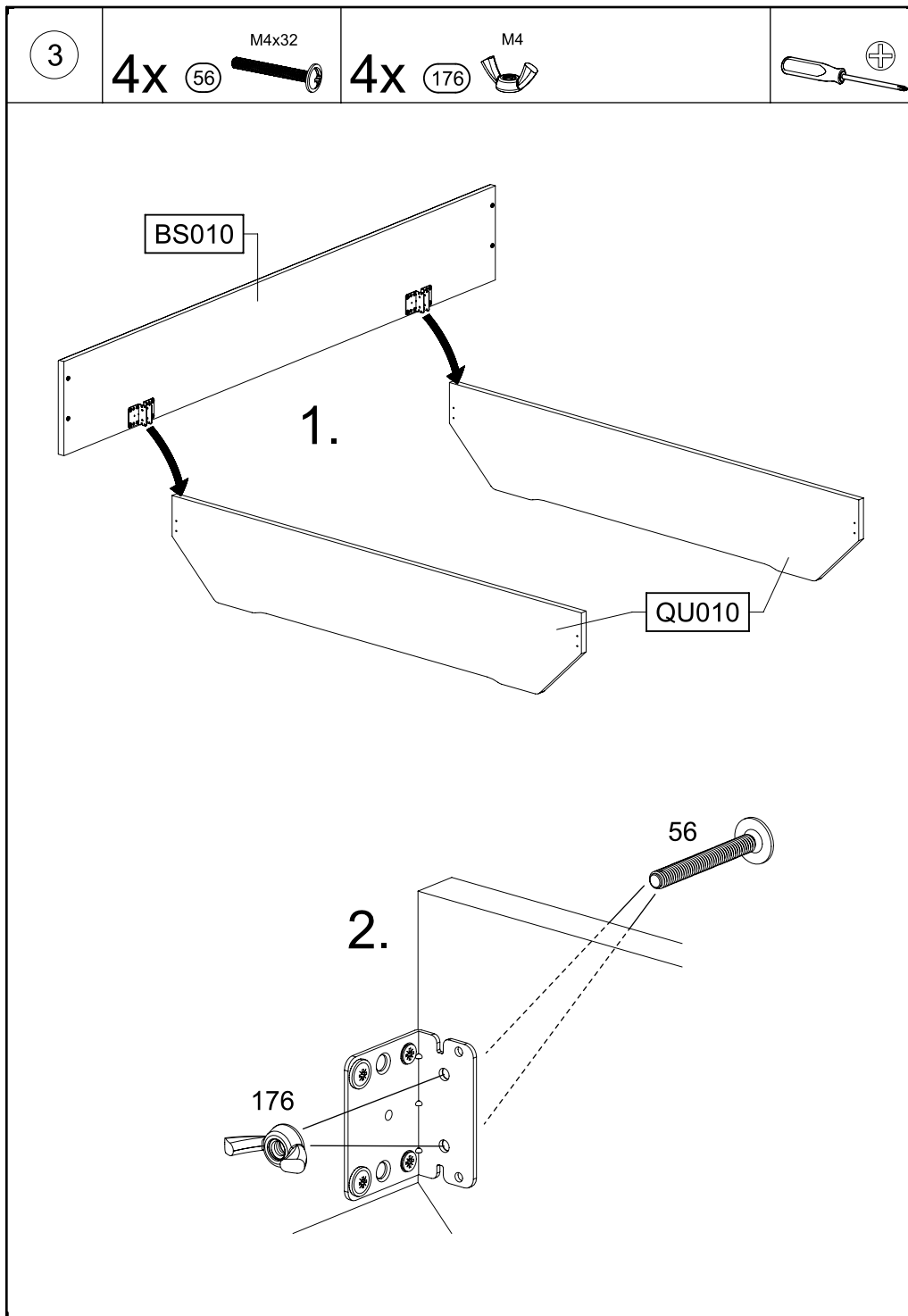
212x25x25

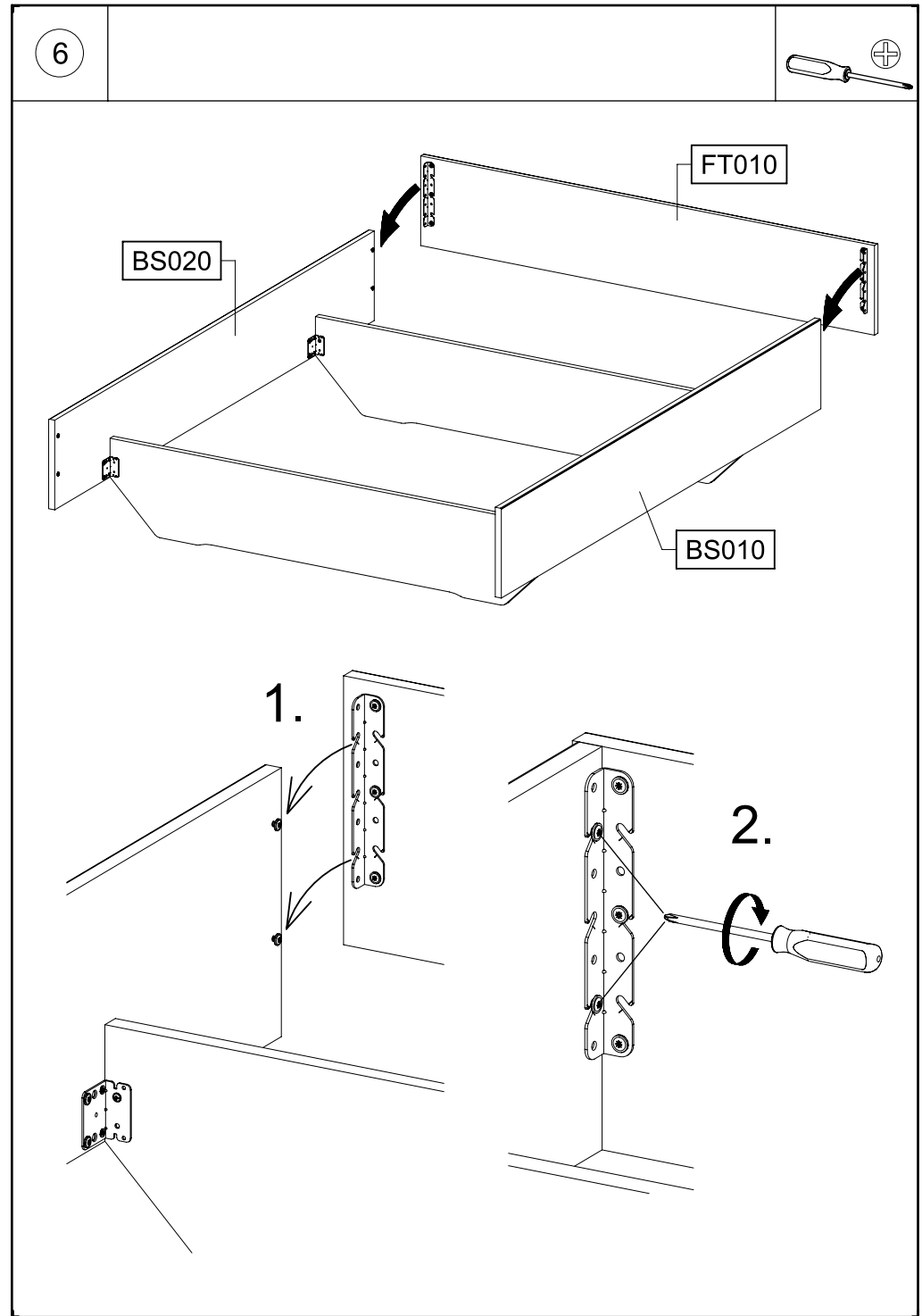
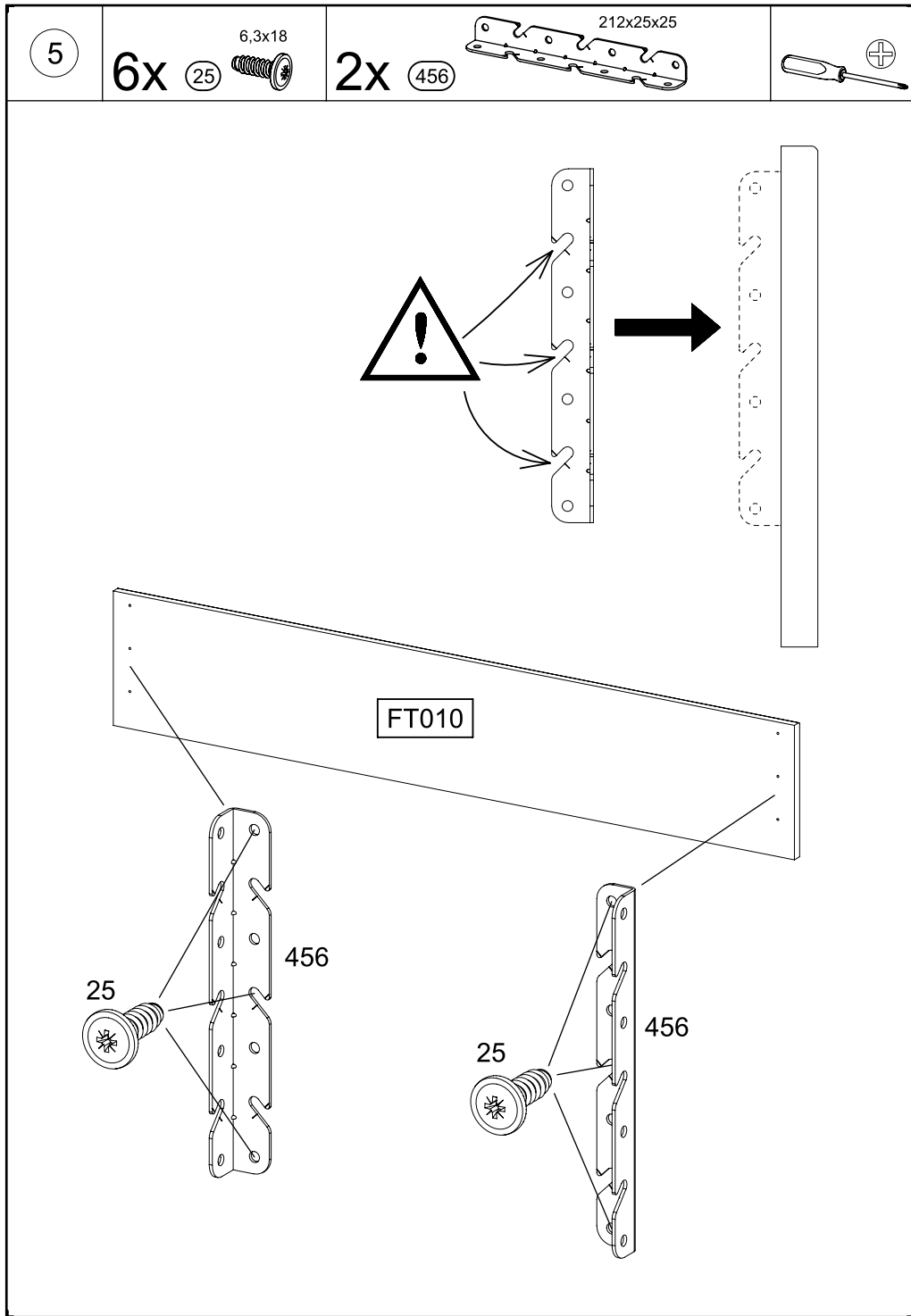
456

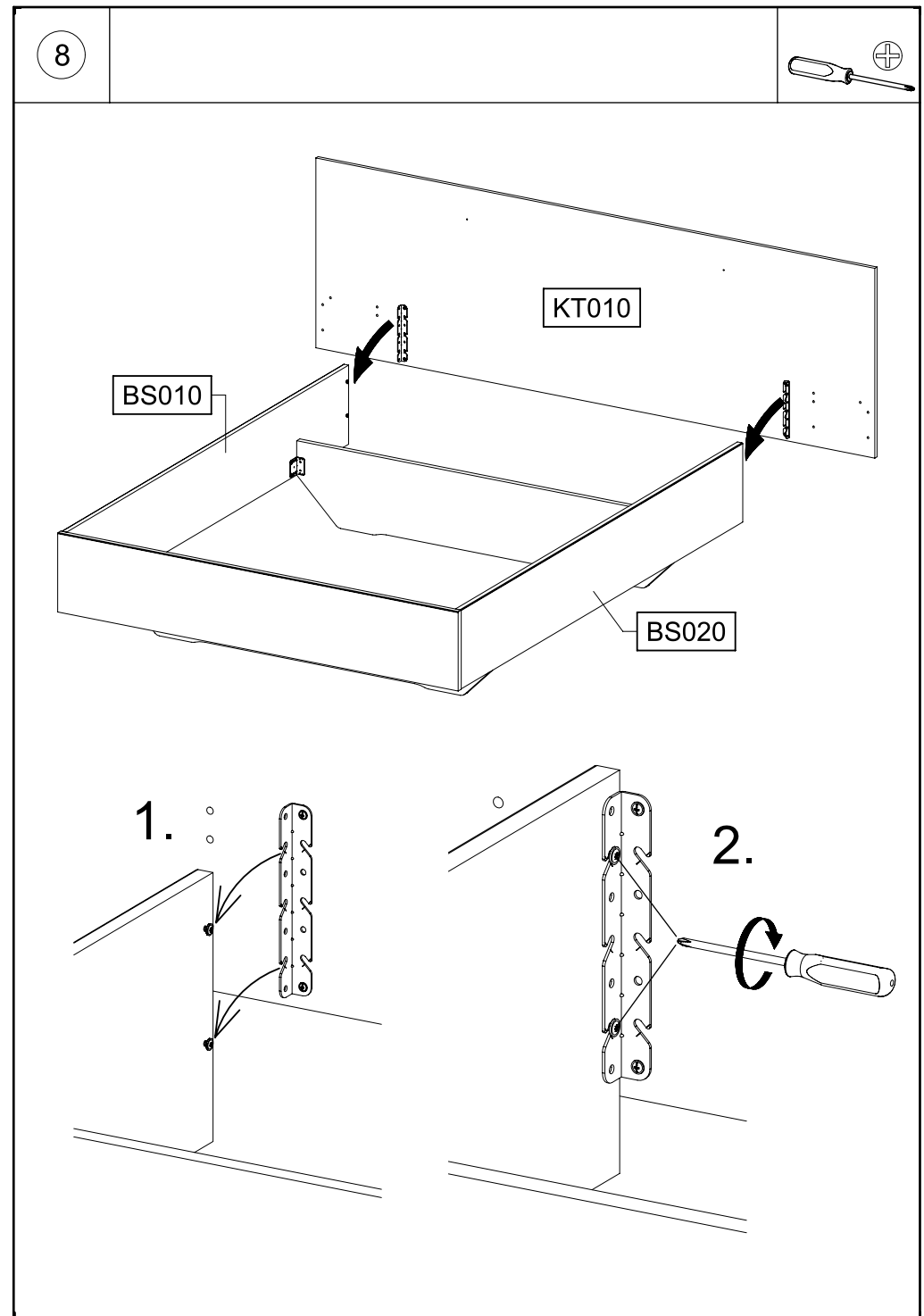
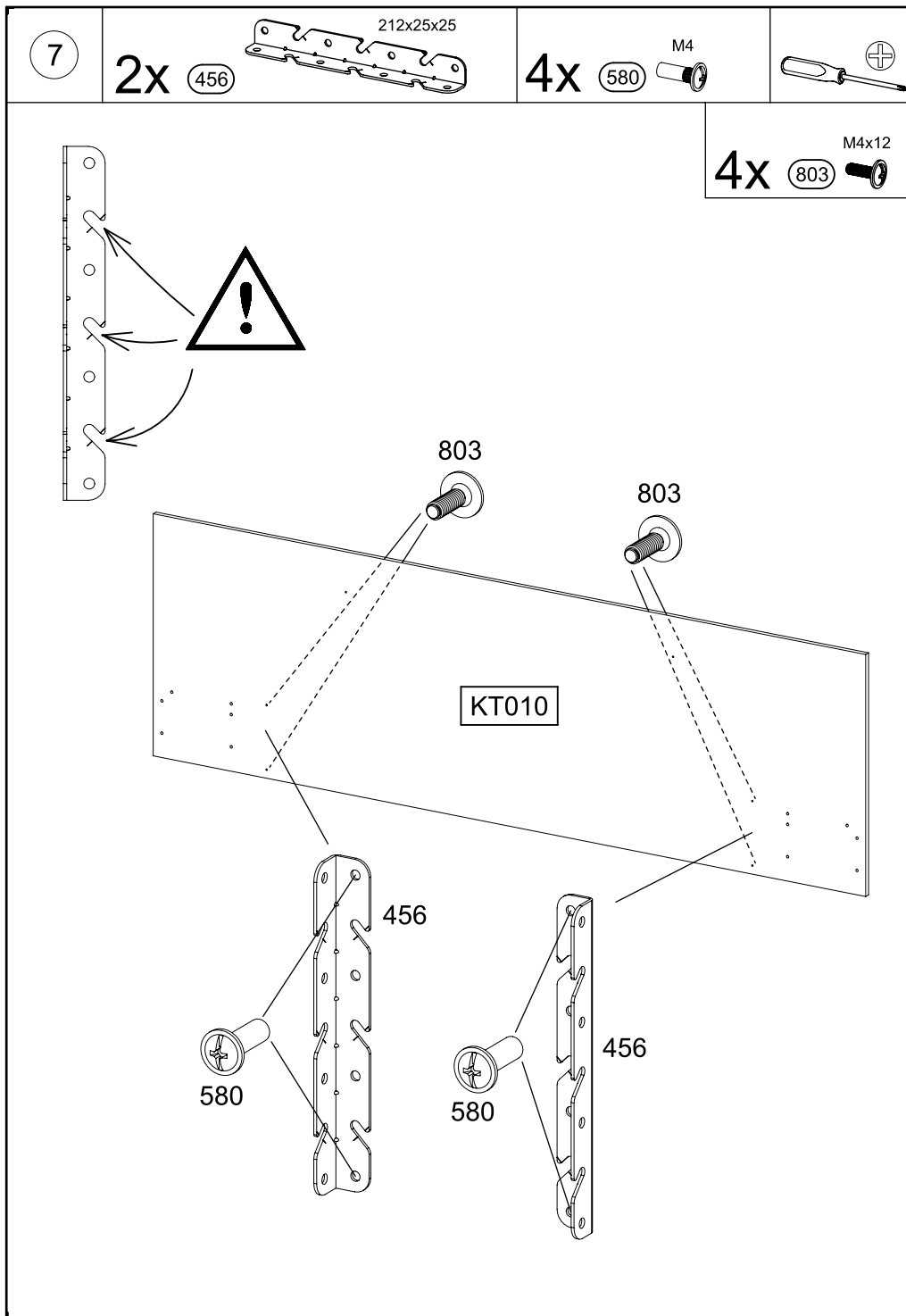






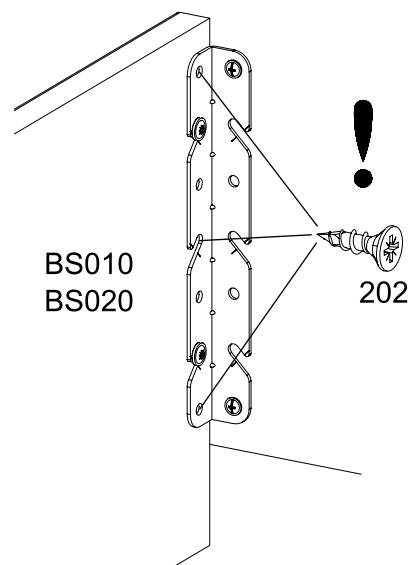
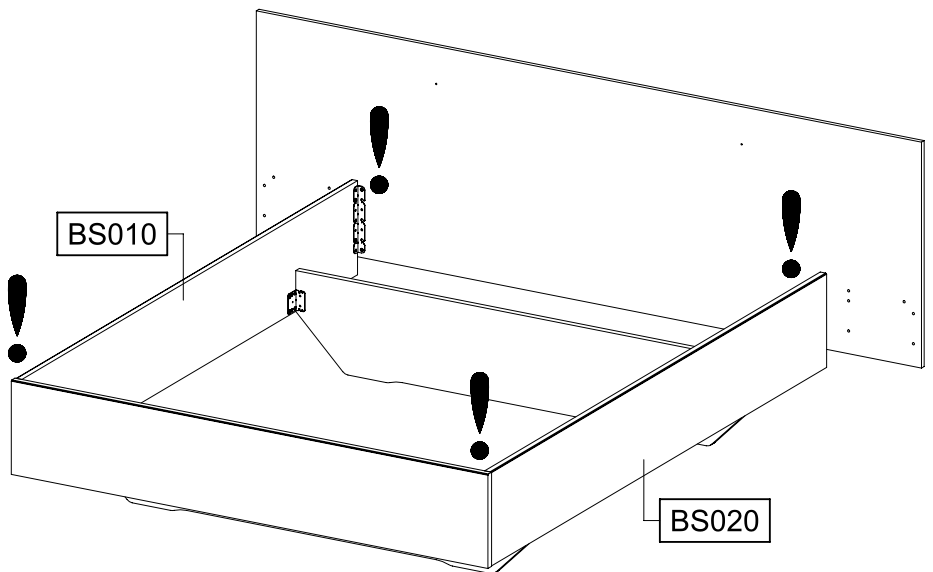
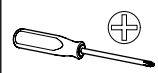






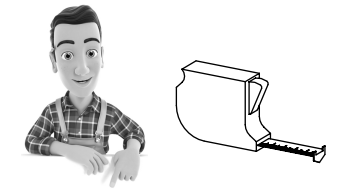
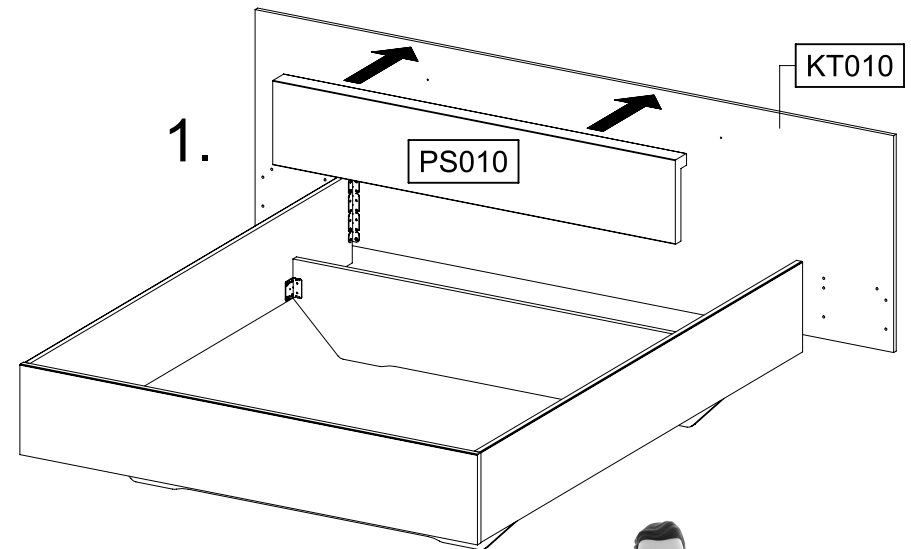
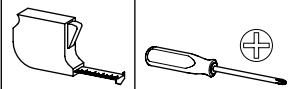
9

12x 202 4,5x16



10

2x 214 4,5x35



Xmm = Xmm

