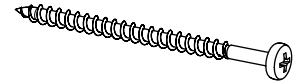
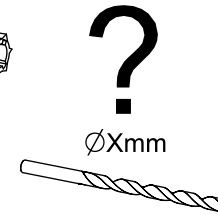
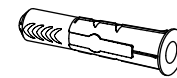
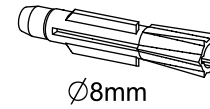
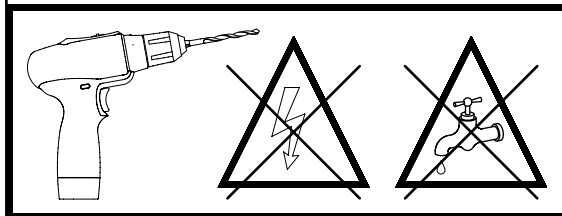
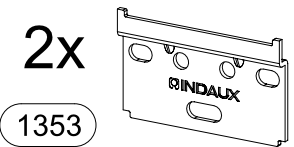
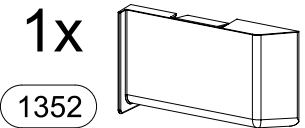
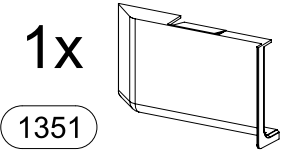
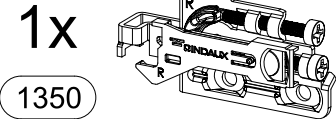
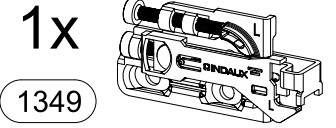
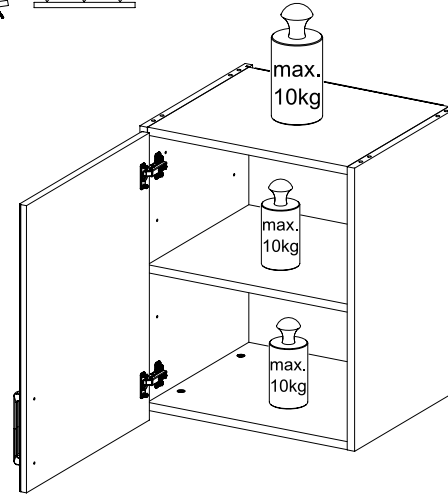
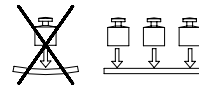
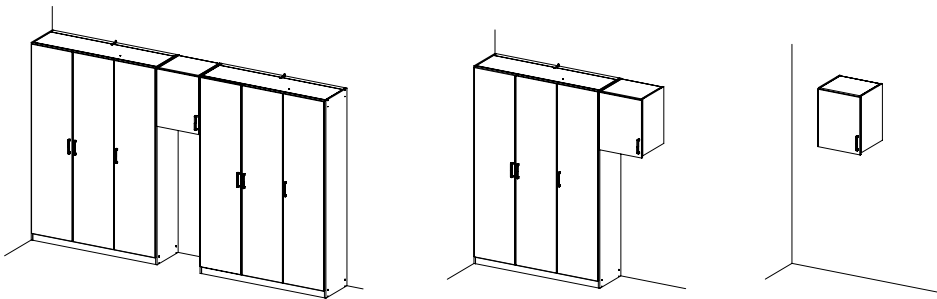
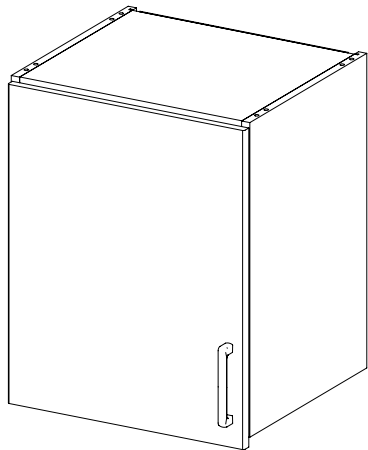
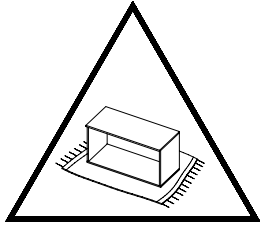
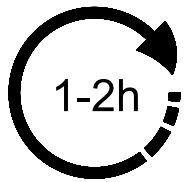
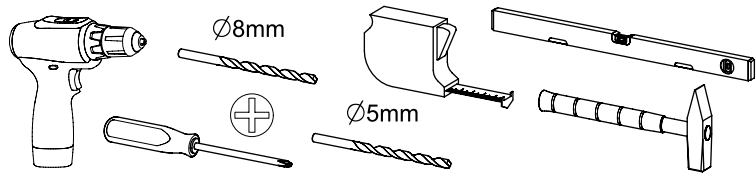
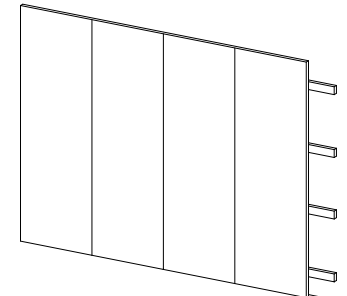
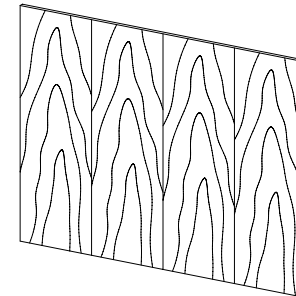
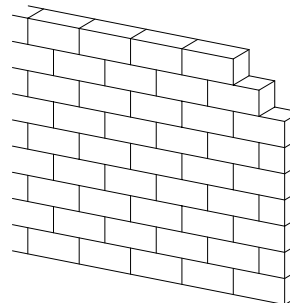


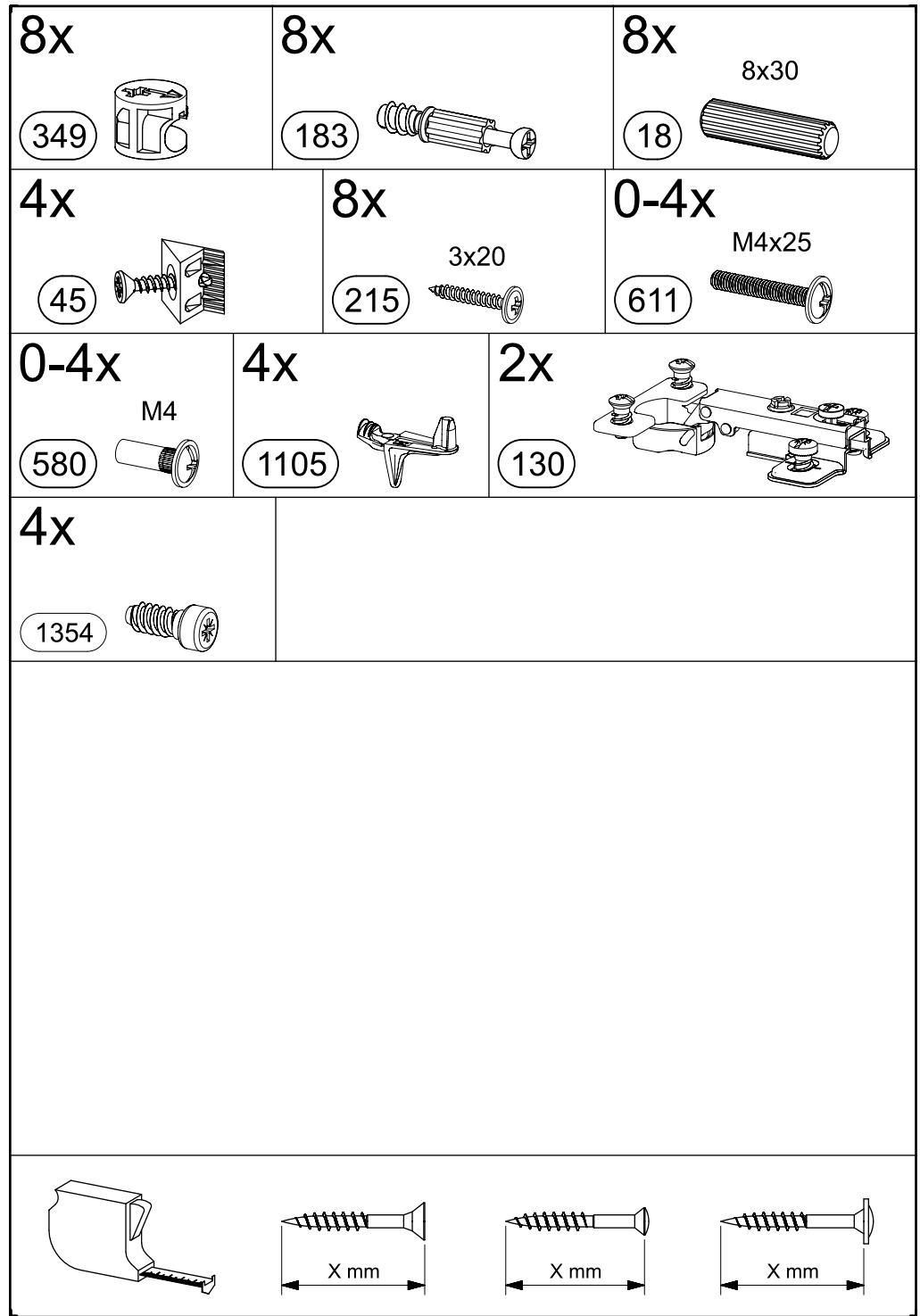
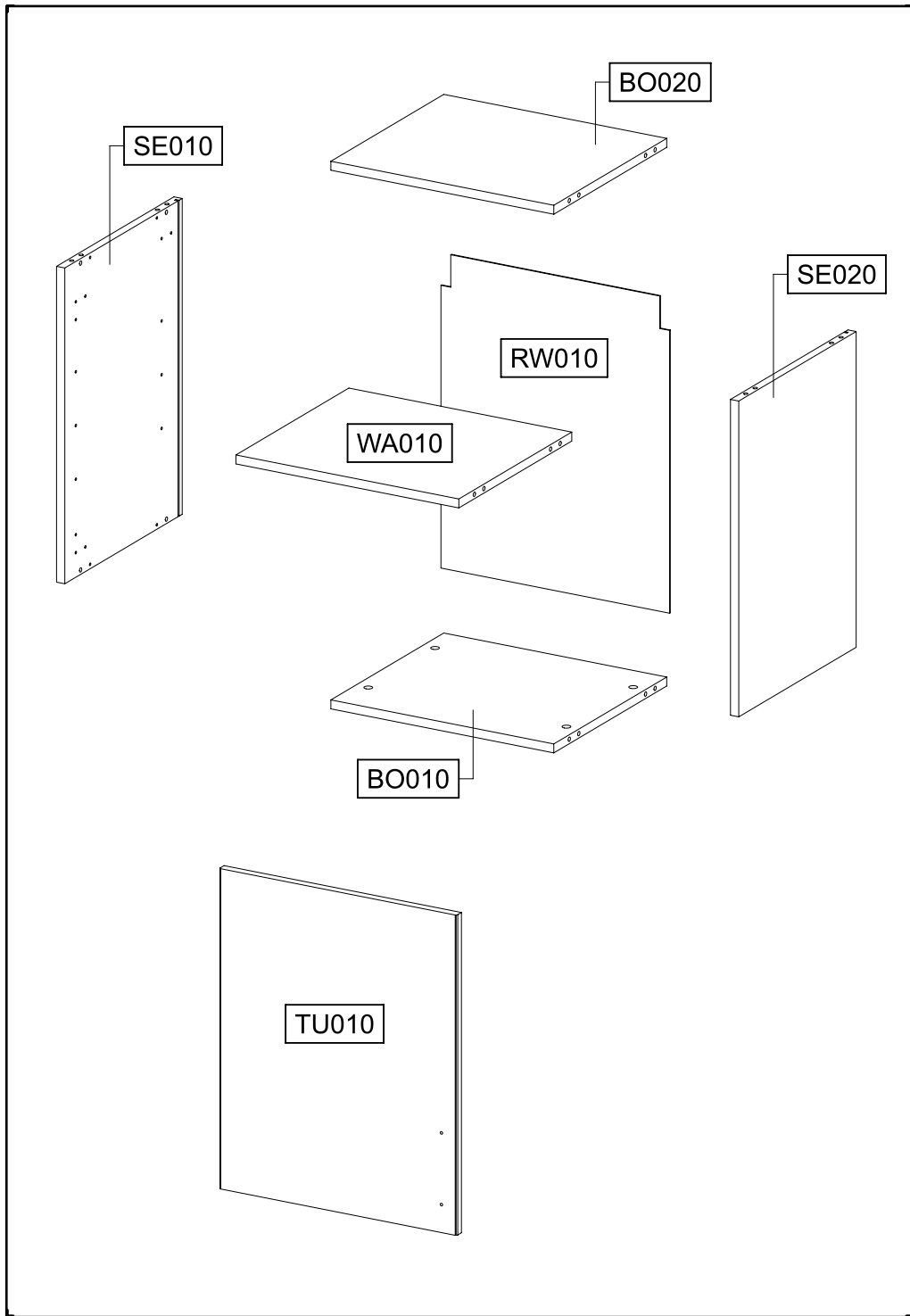
M2755_02

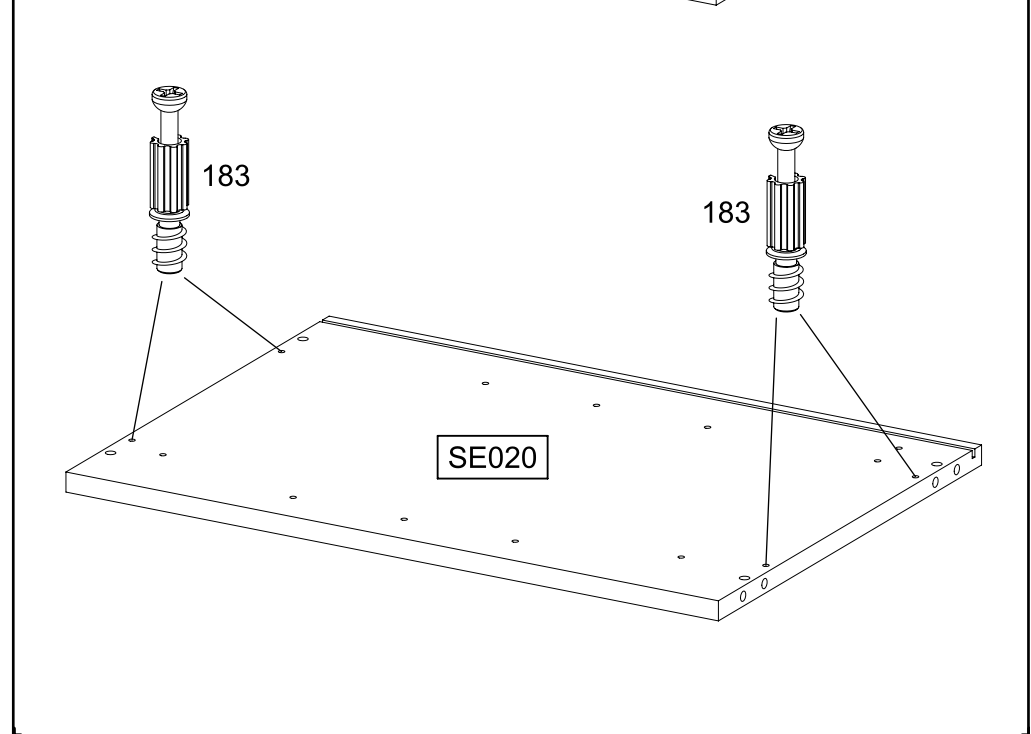
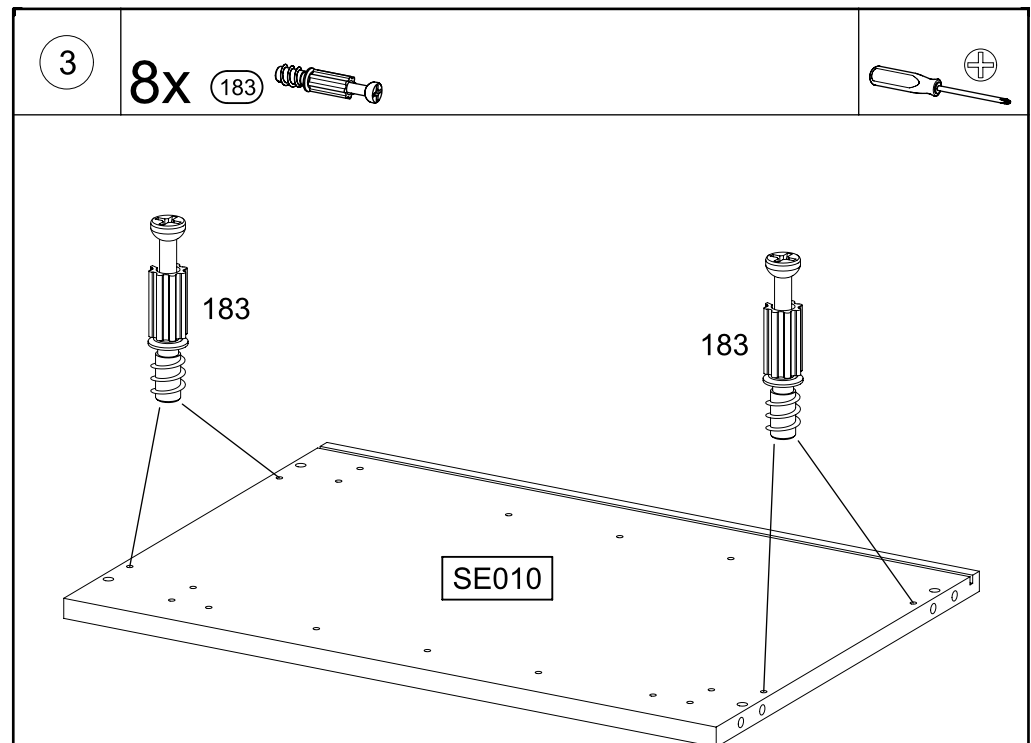
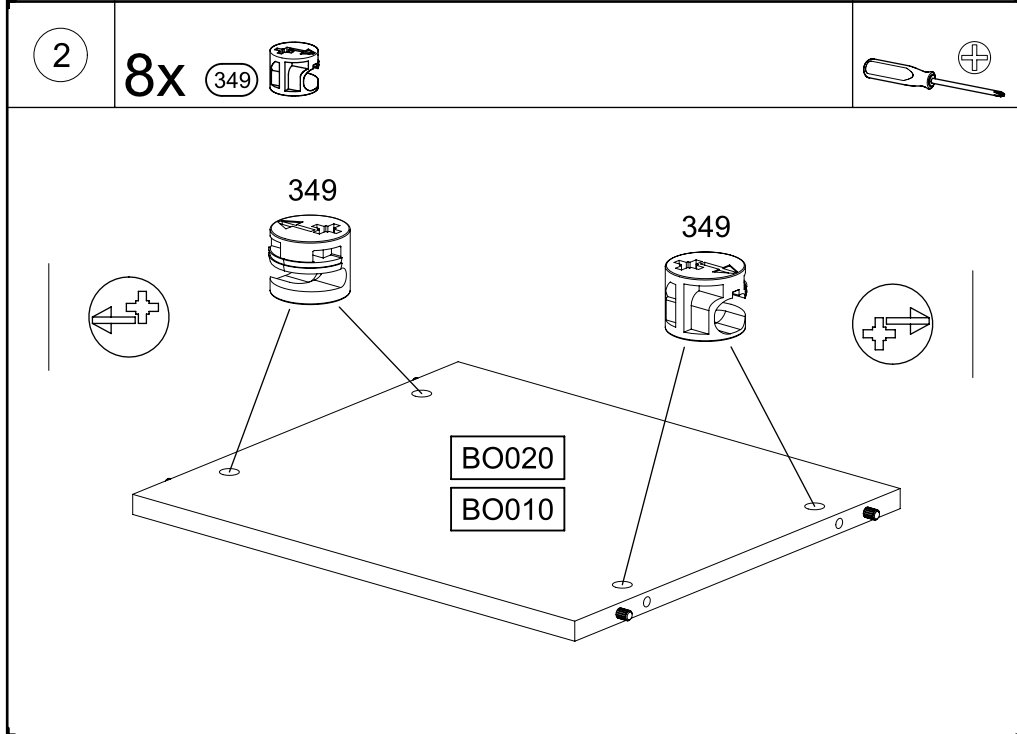
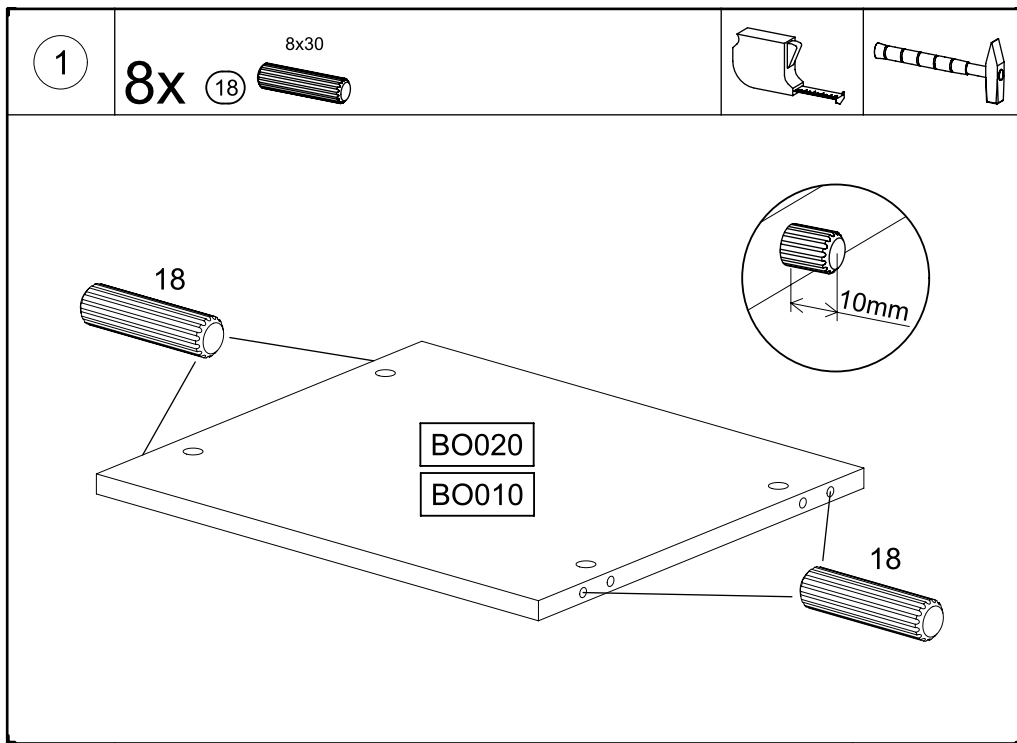
rauch

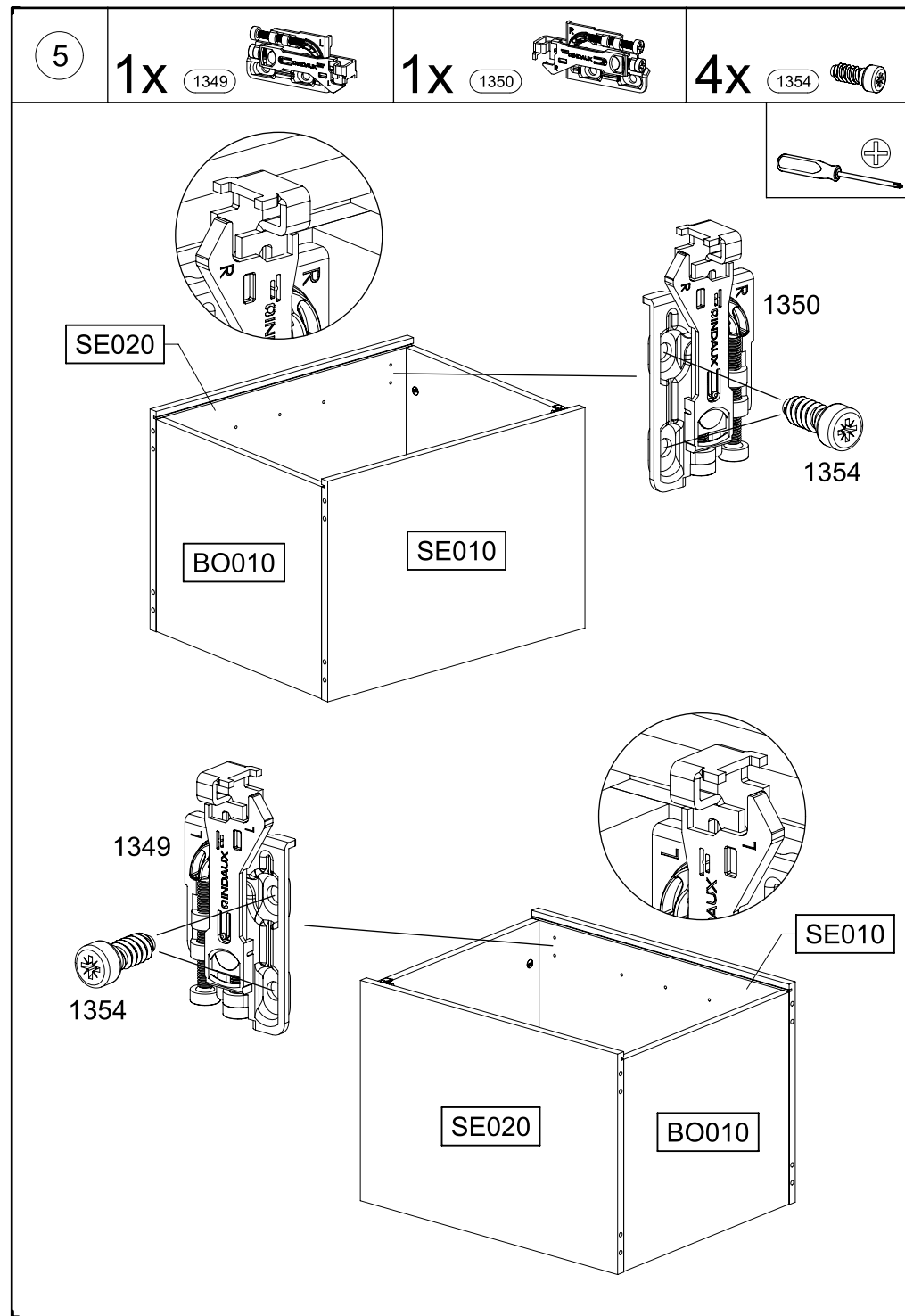
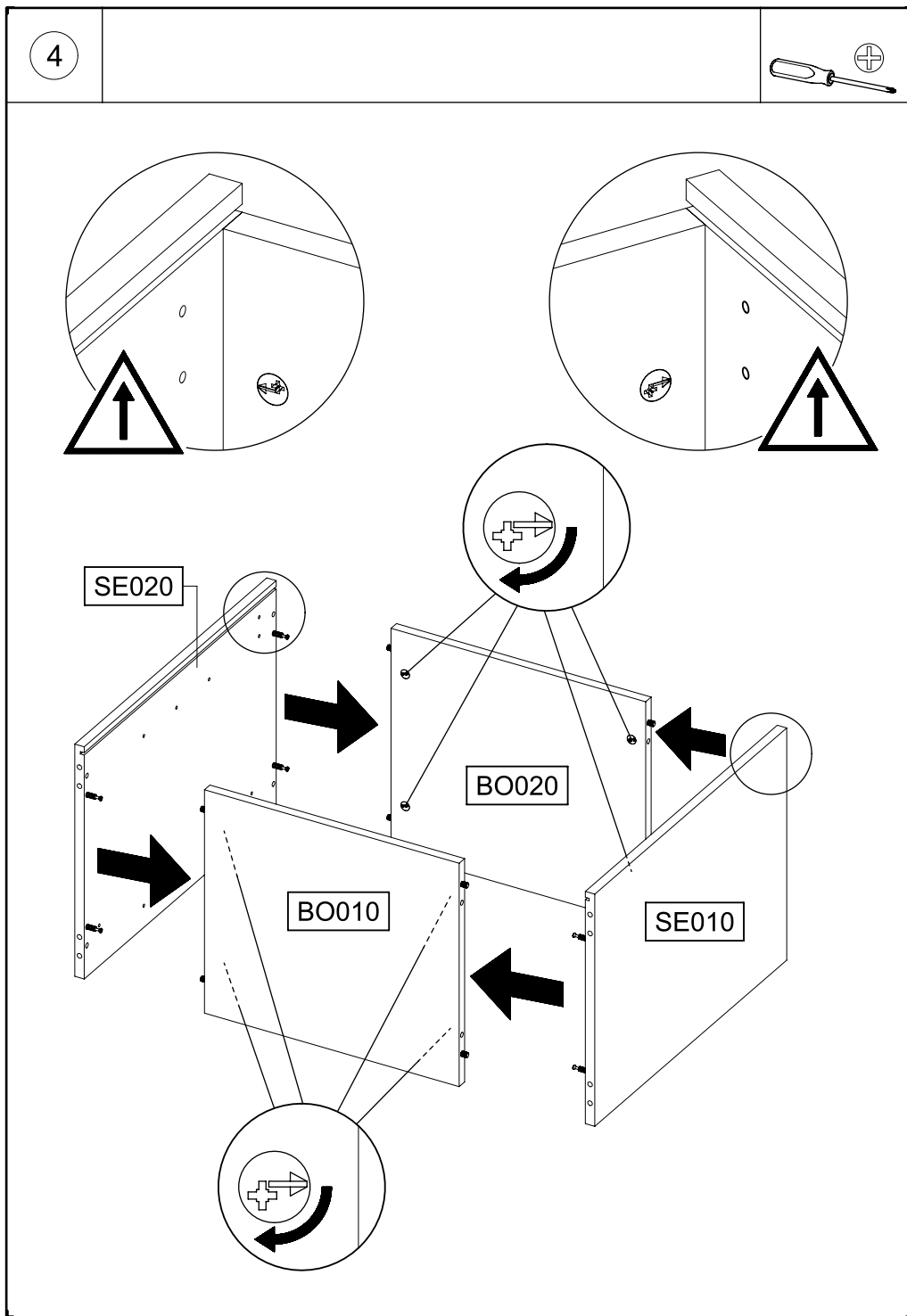


min. Ø5mm
max. Ø6mm

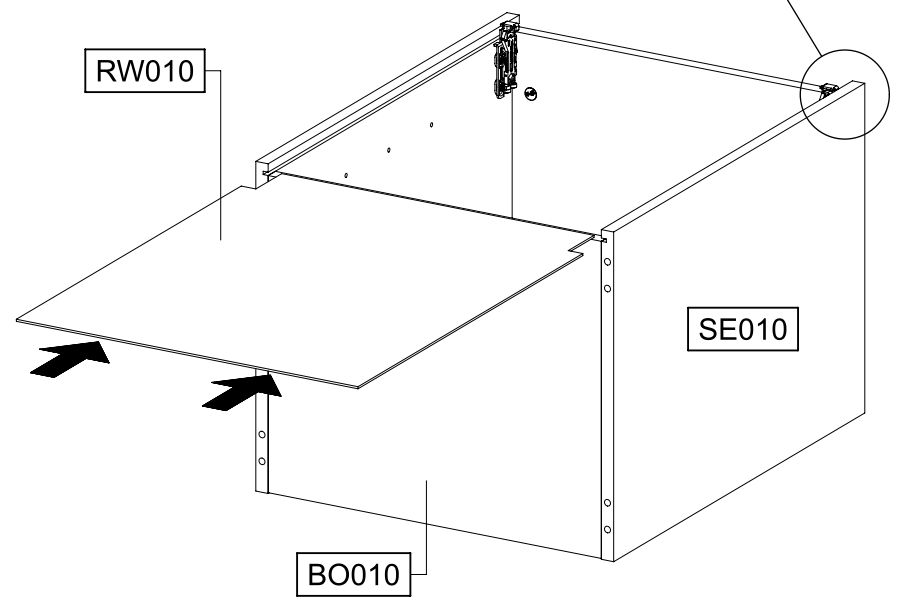
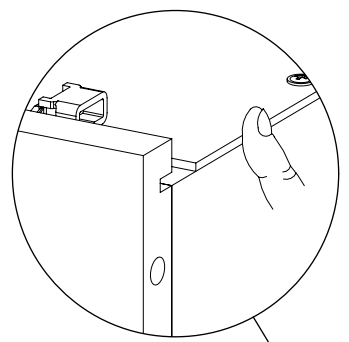






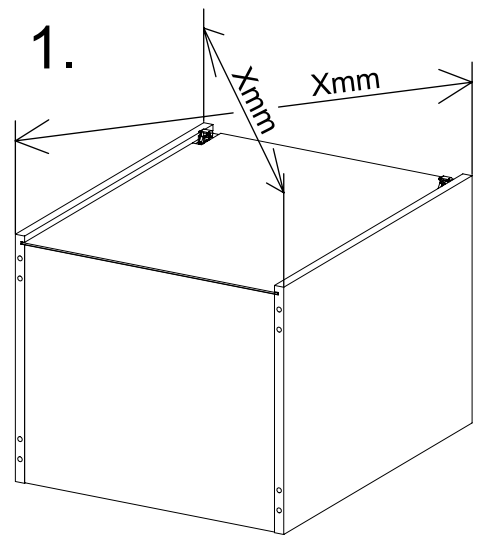
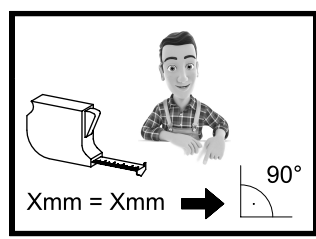
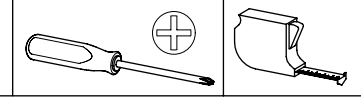


6

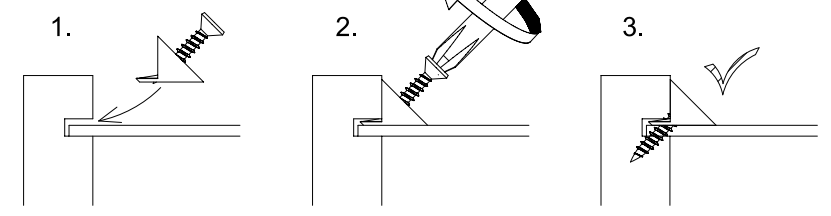
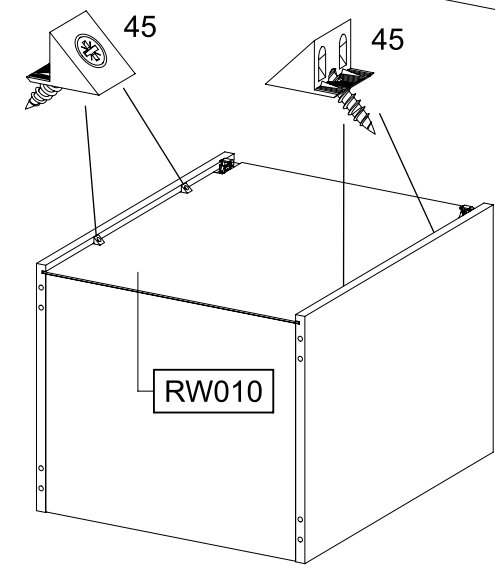


7

4x (45)

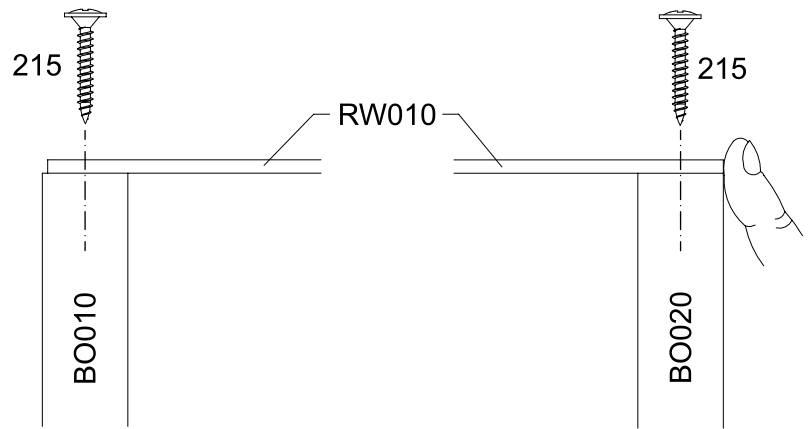
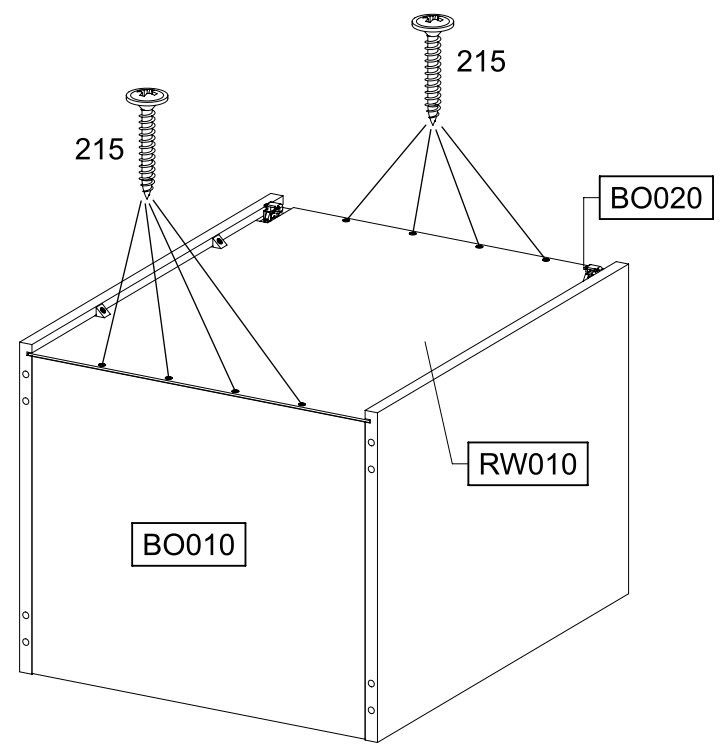
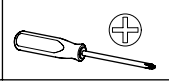


2.



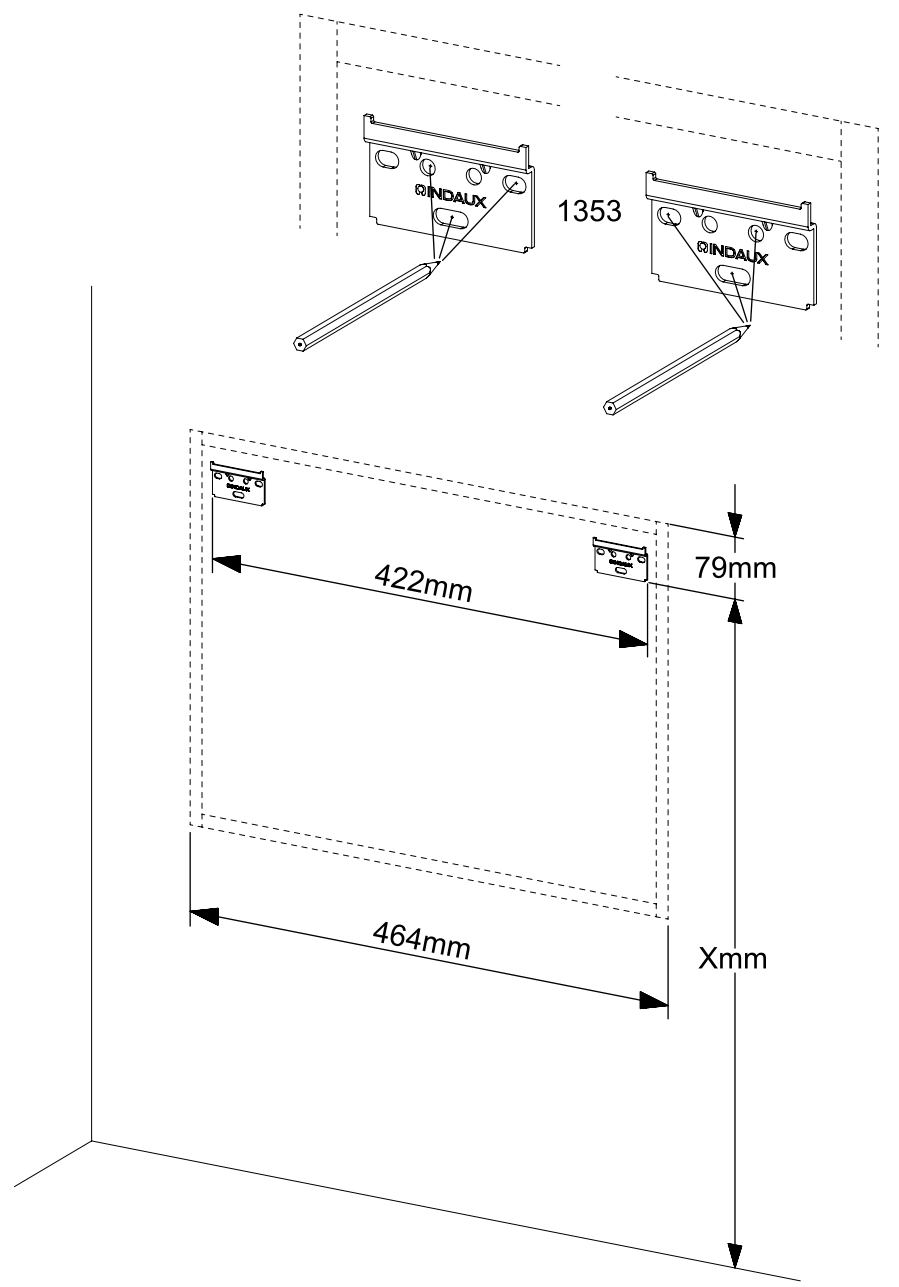
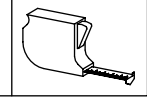
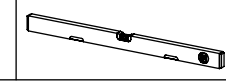
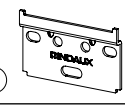
8

8x 215 3x20

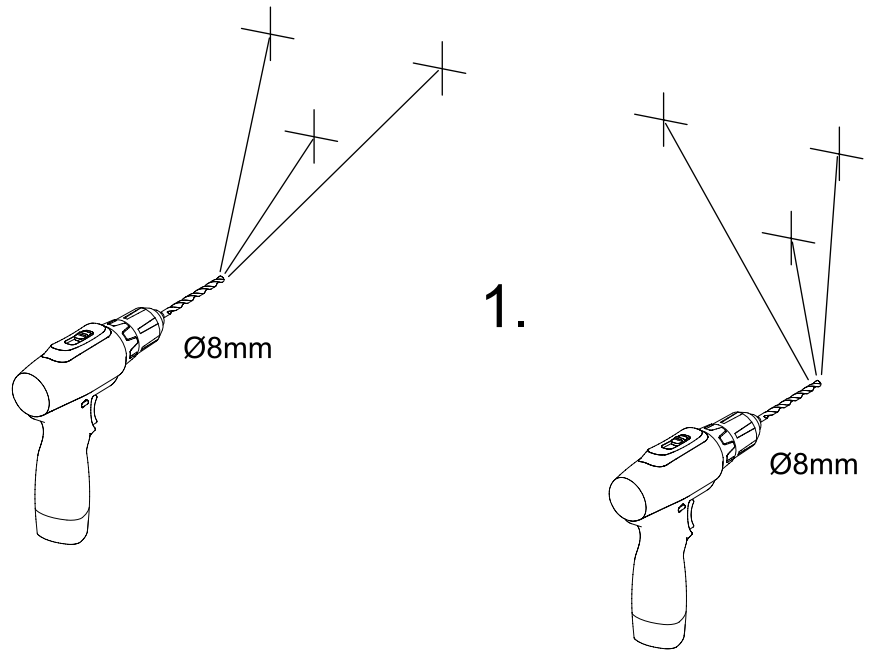
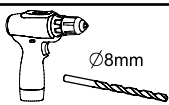


9

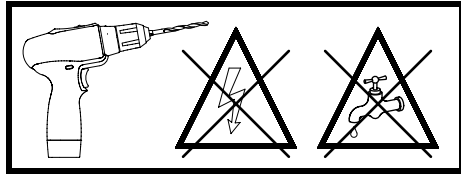
2x 1353



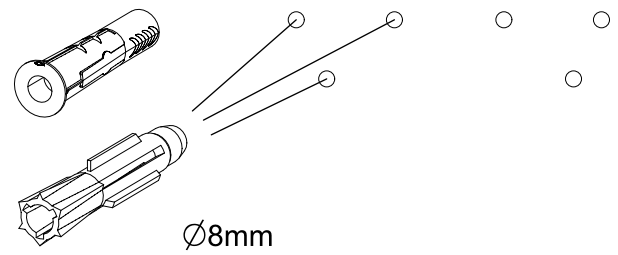
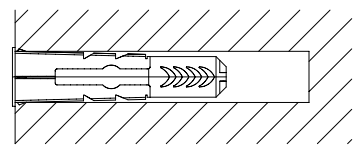
10



1.

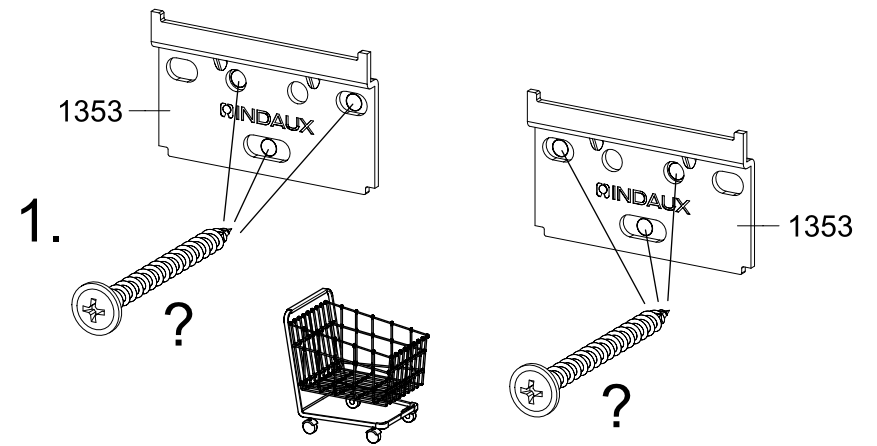
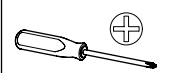


2. ?



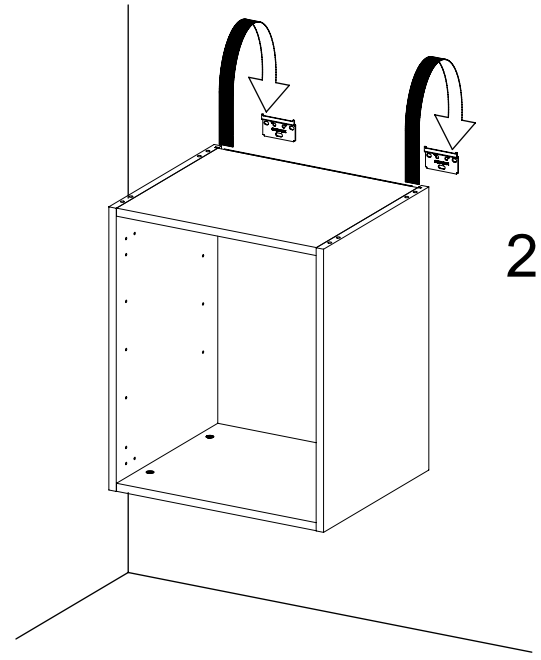
11

2x 1353

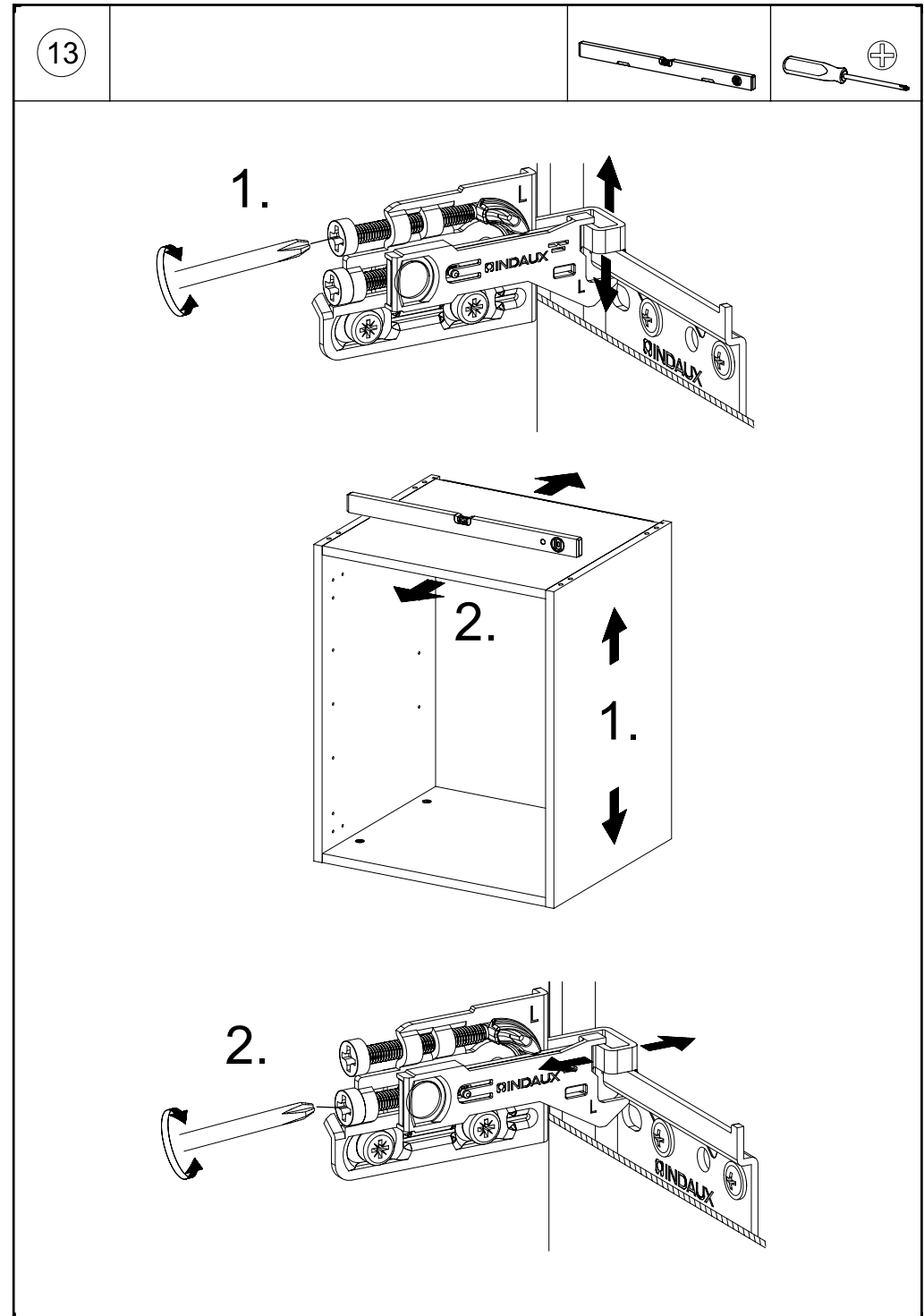
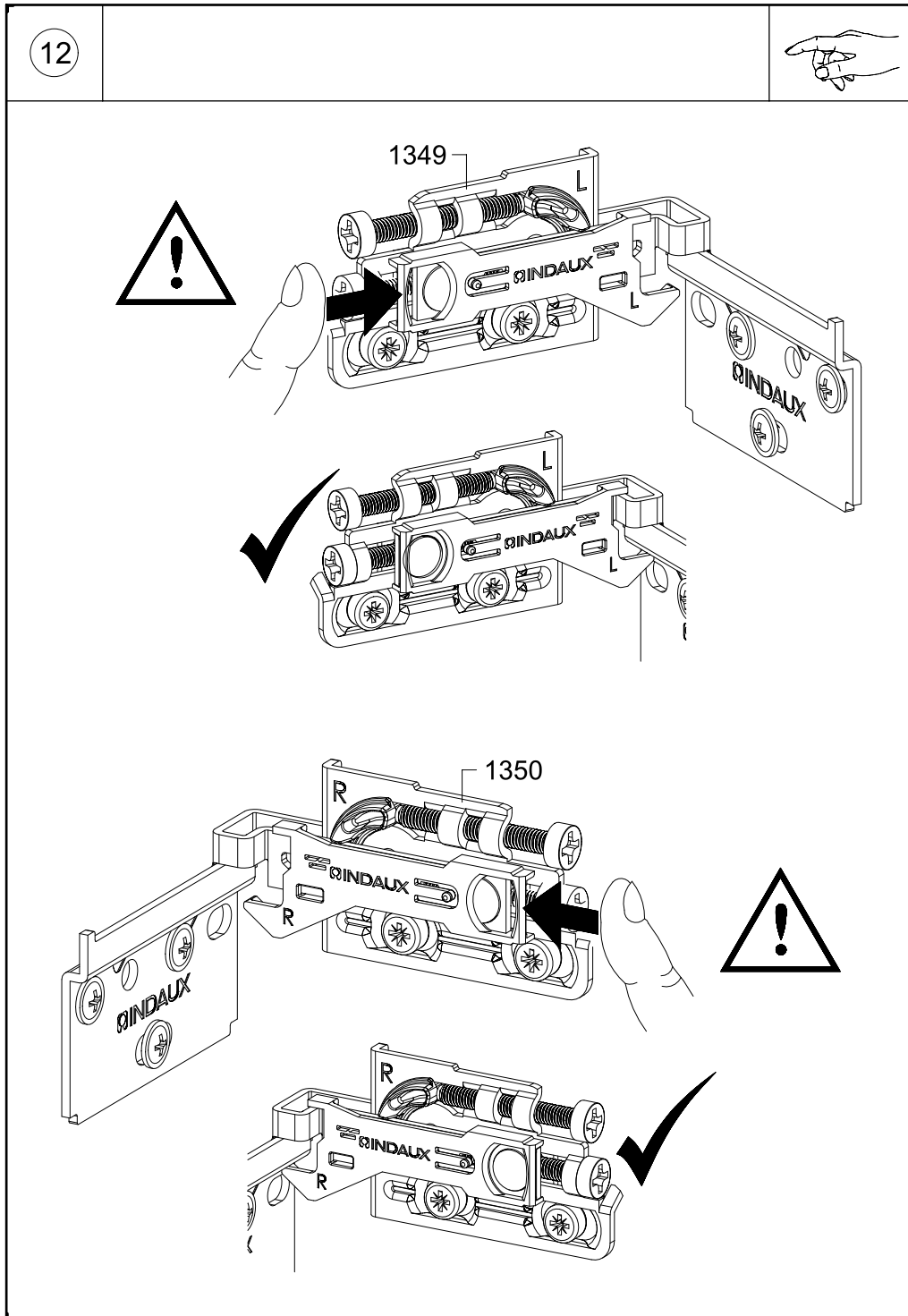


1.

min. Ø5mm
max. Ø6mm



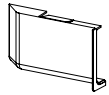
2.



14

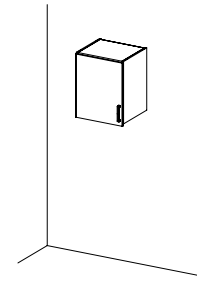
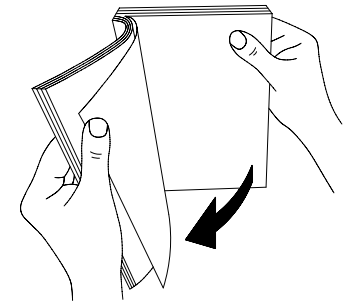
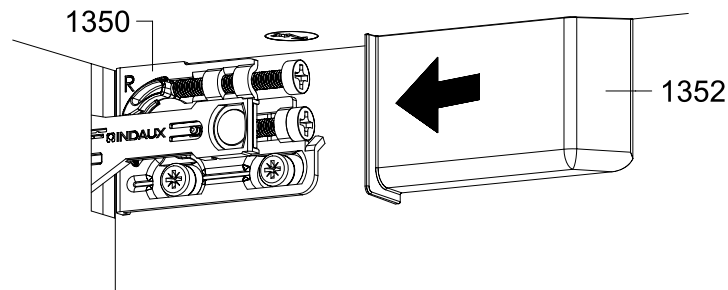
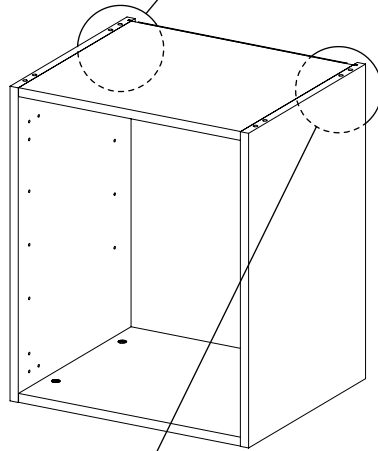
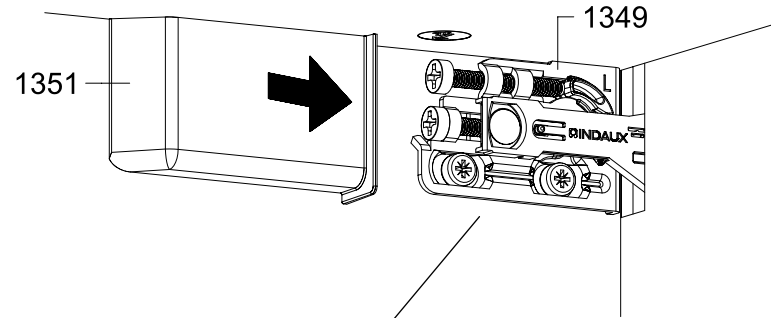
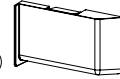
1x

1351



1x

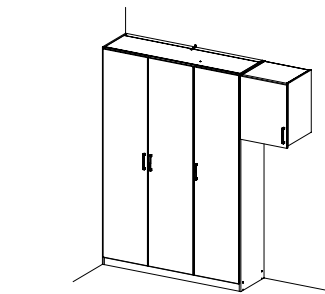
1352



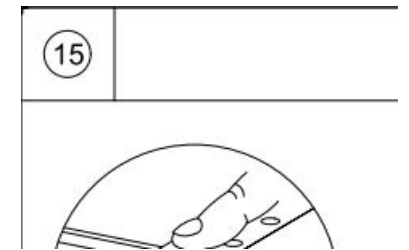
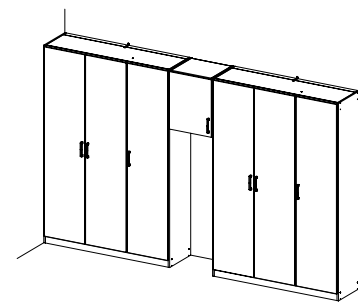
18

4x

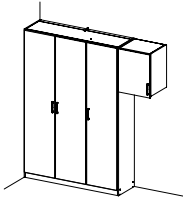
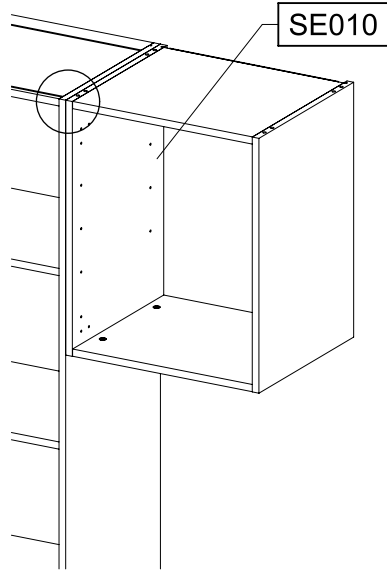
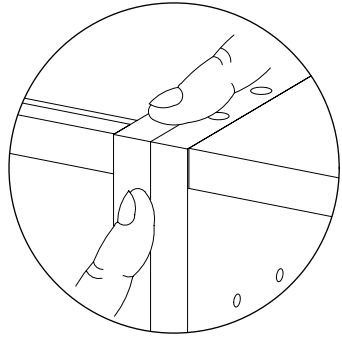
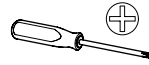
1105



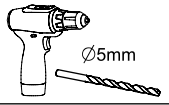
15



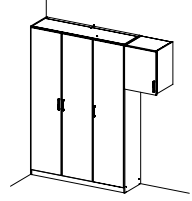
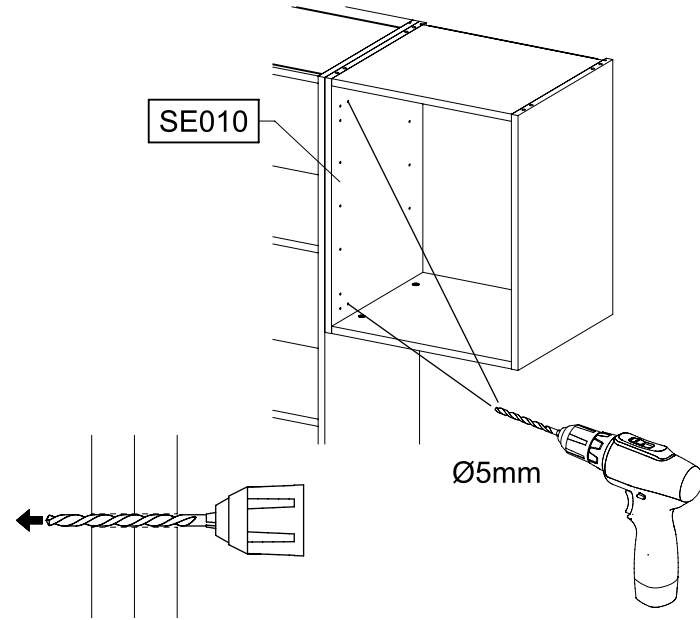
15



16

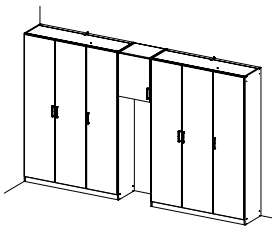
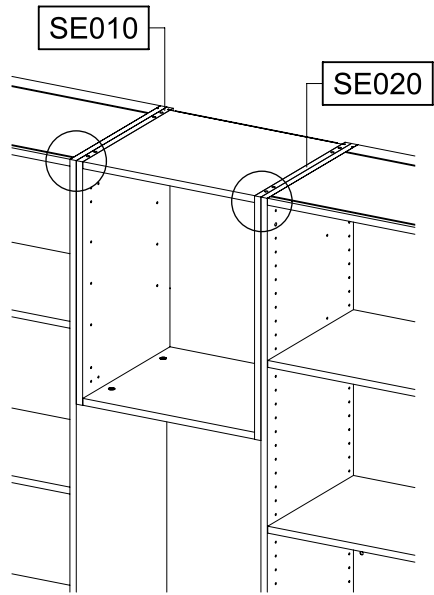
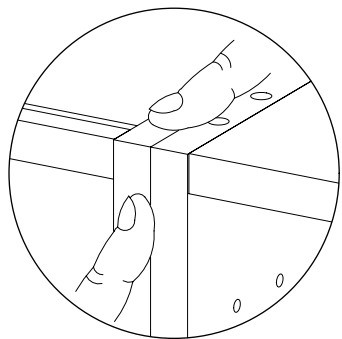


SE010



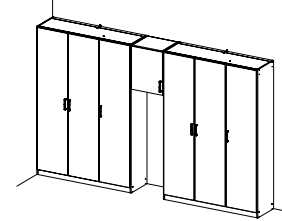
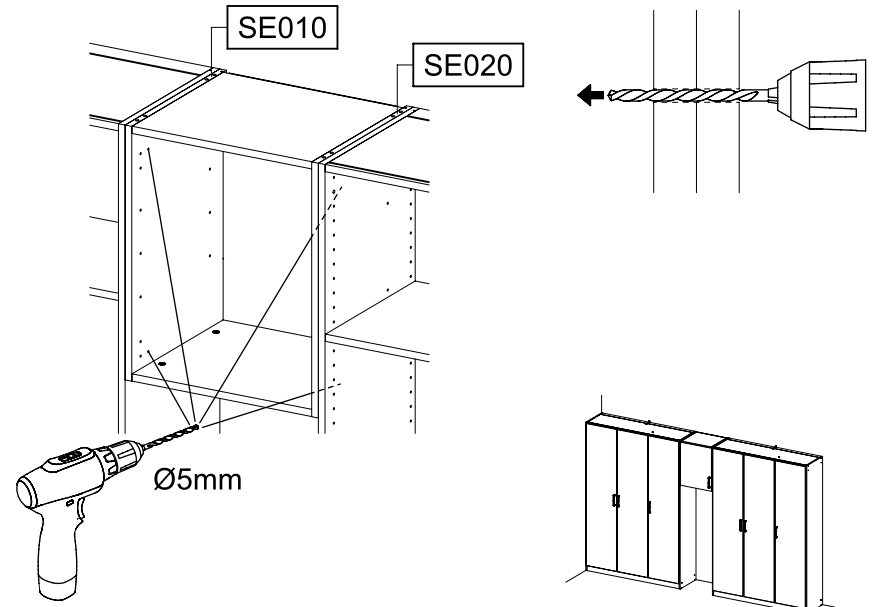
SE010

SE020



SE010

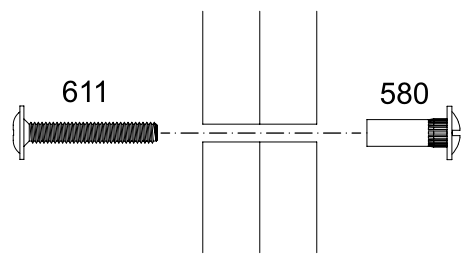
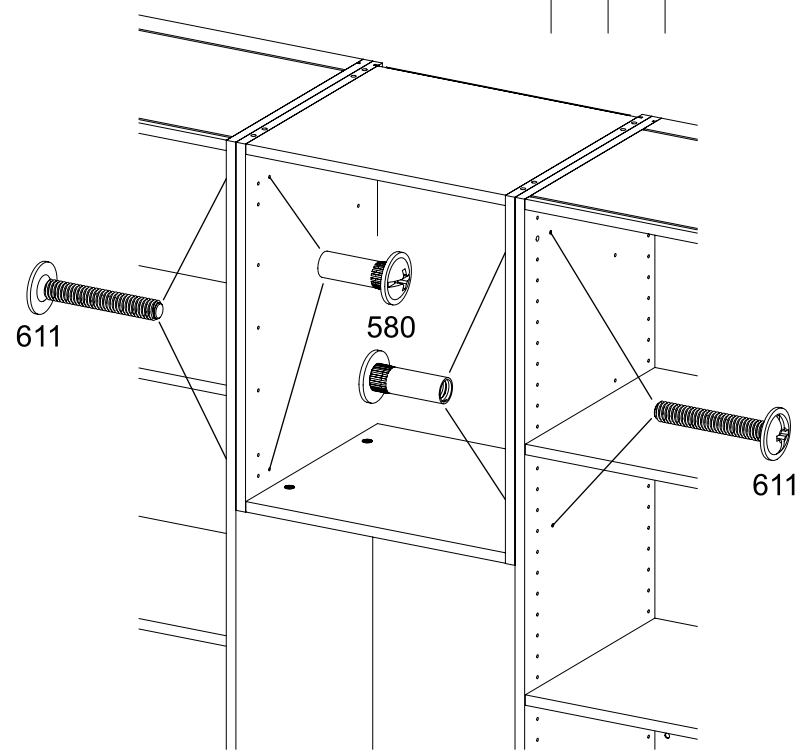
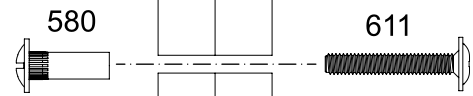
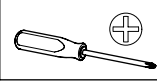
SE020



17

2-4x 580 M4

2-4x 611 M4x25



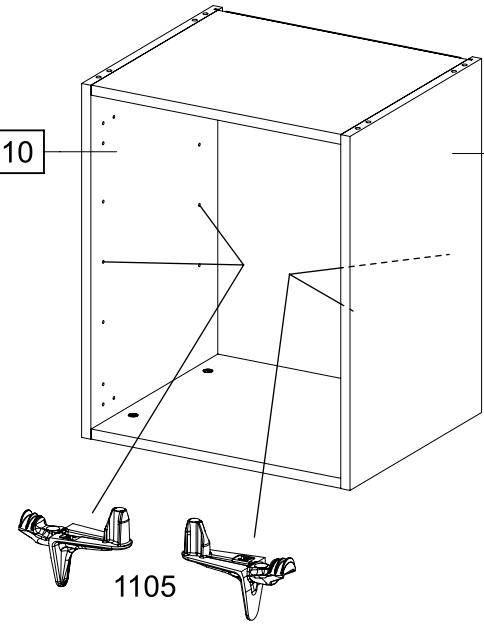
18

4x 1105

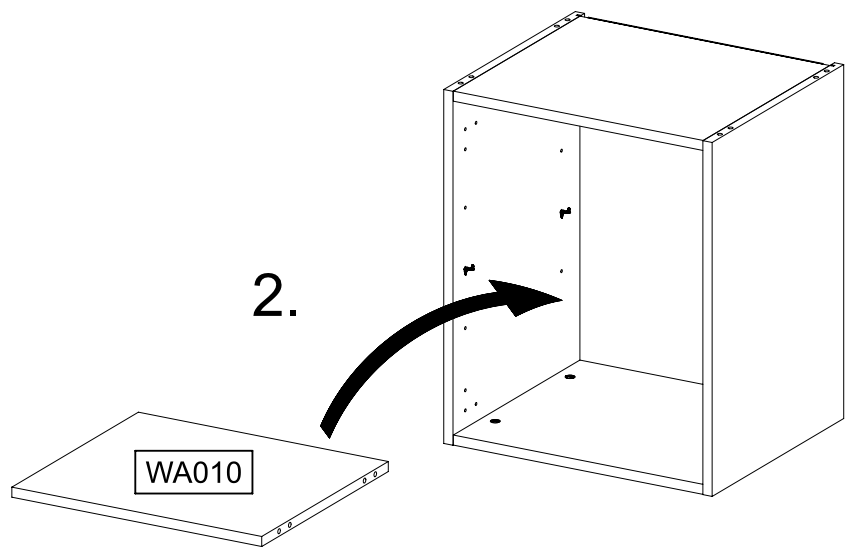
SE010

SE020

1.

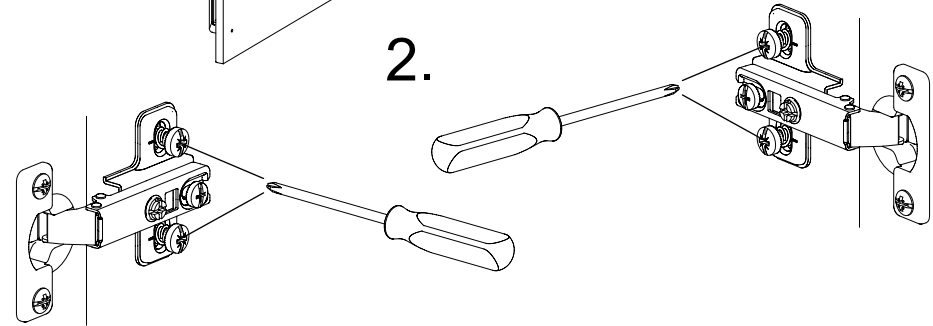
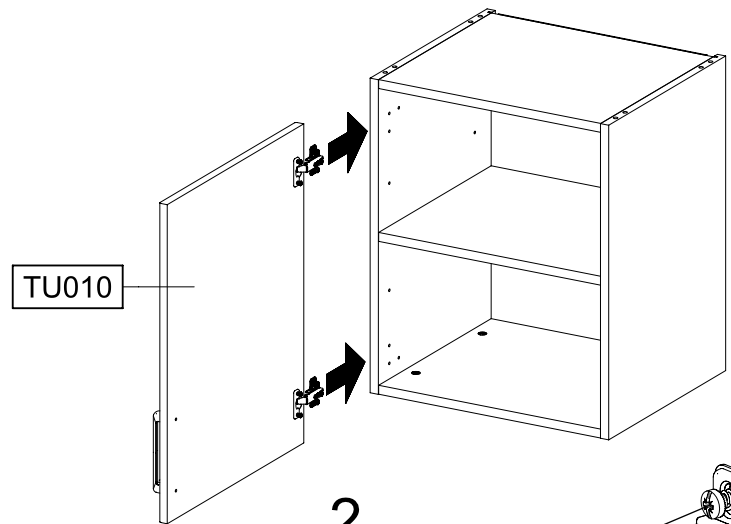
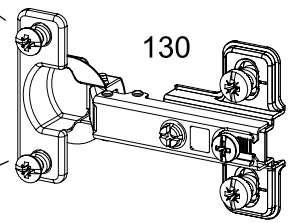
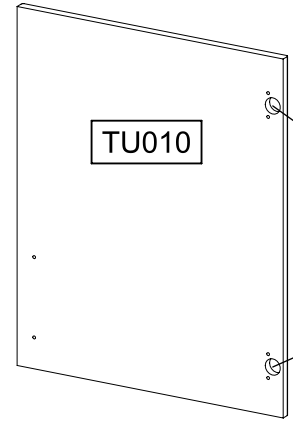
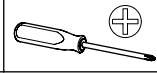
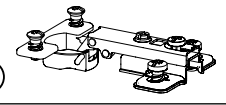


2.



19

2x 130



20

