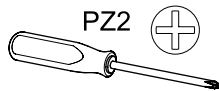
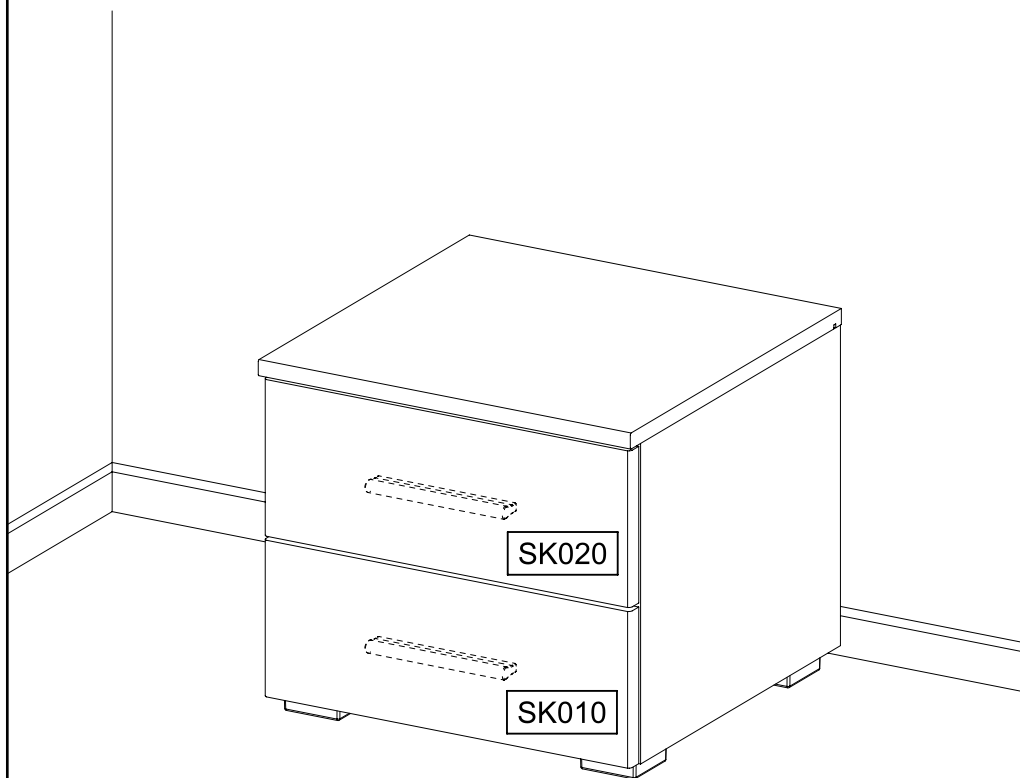
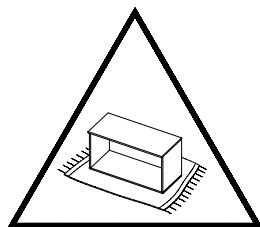
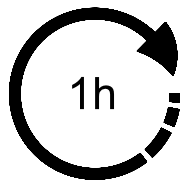
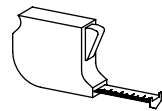
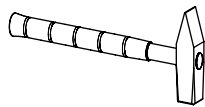


1.

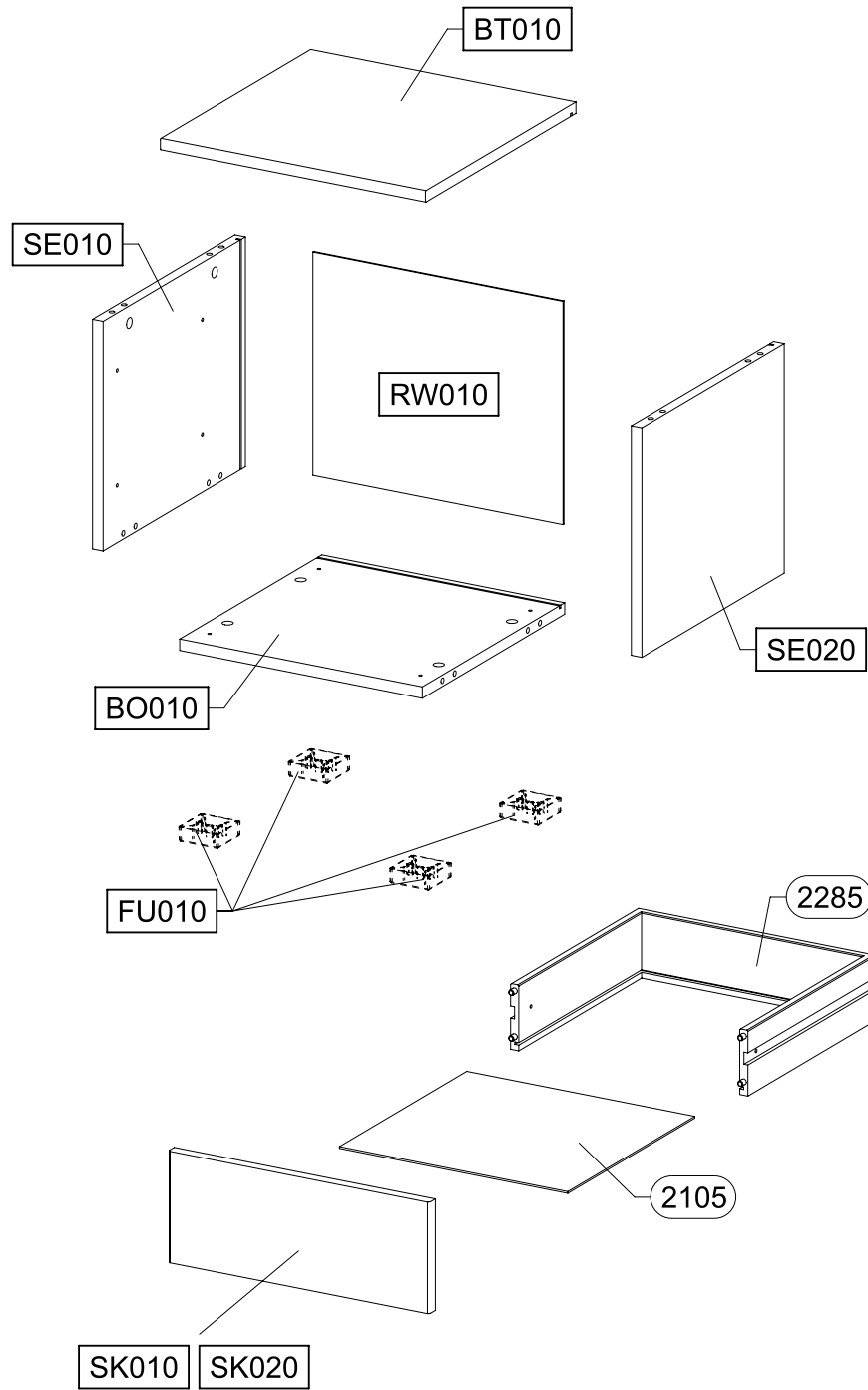
M2598_04

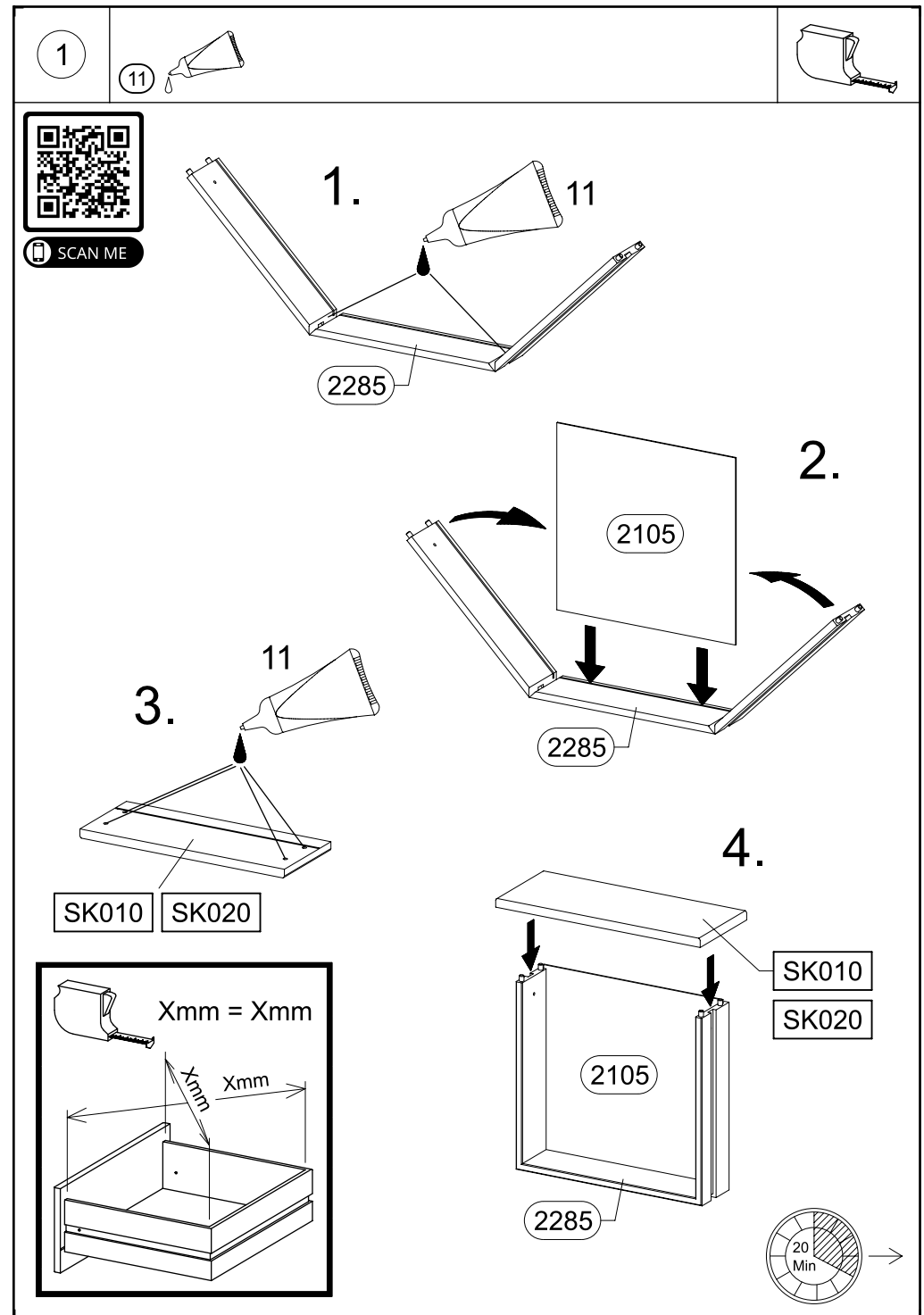
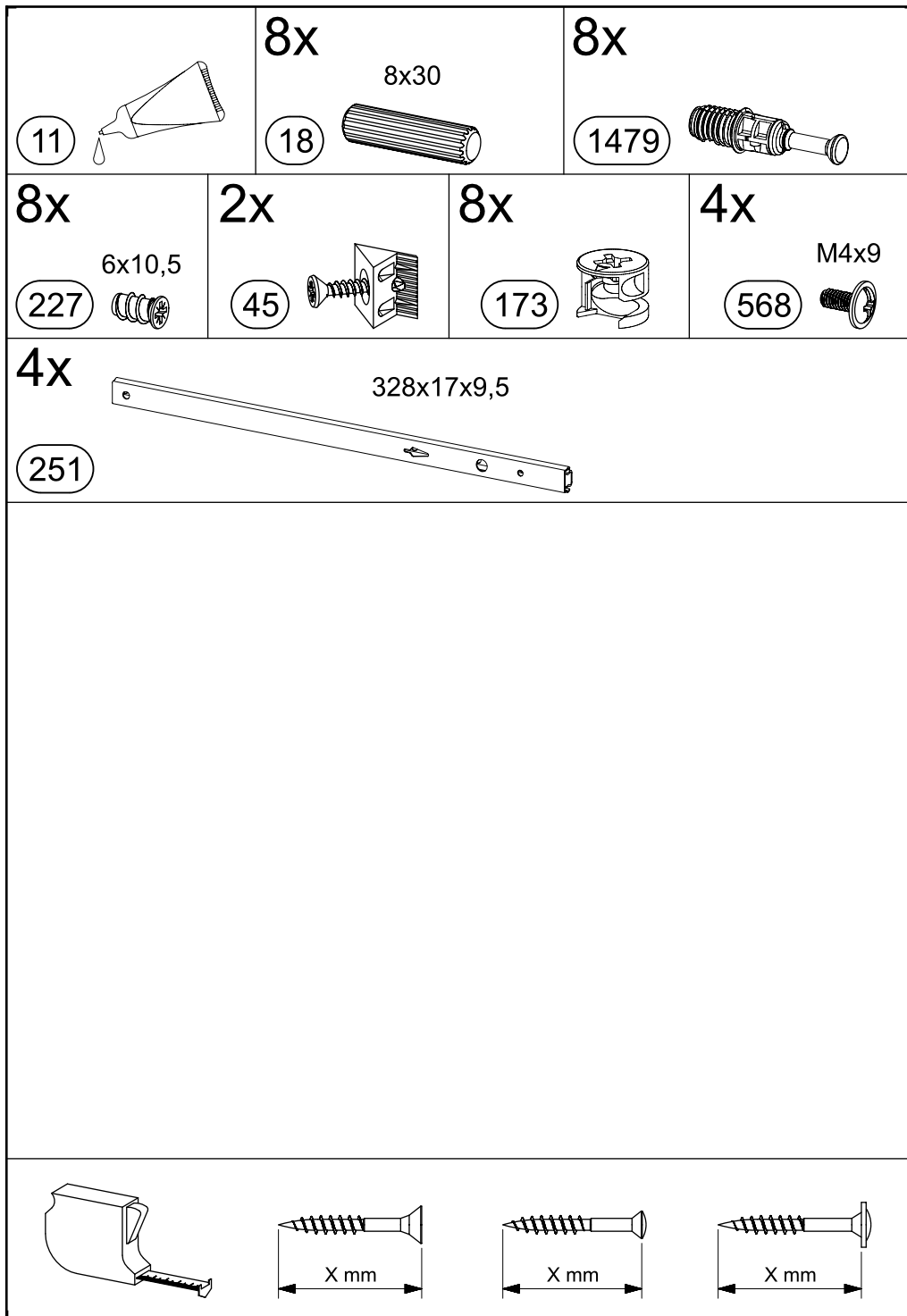


PZ2



2.





2

1479



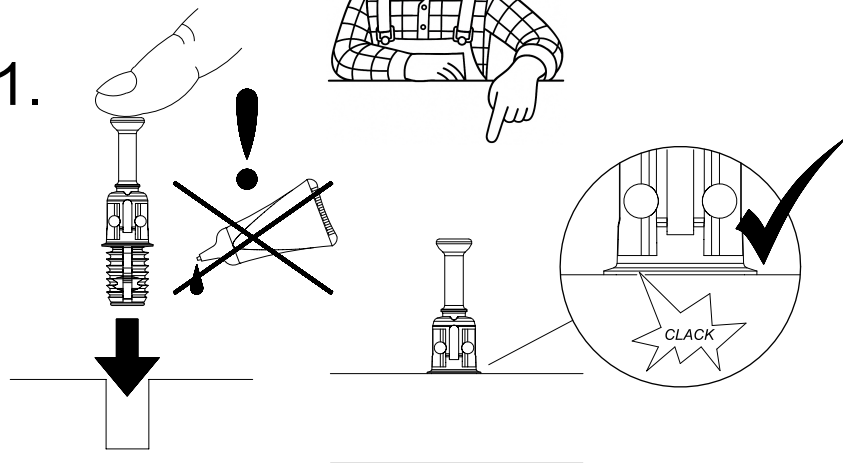
Function!



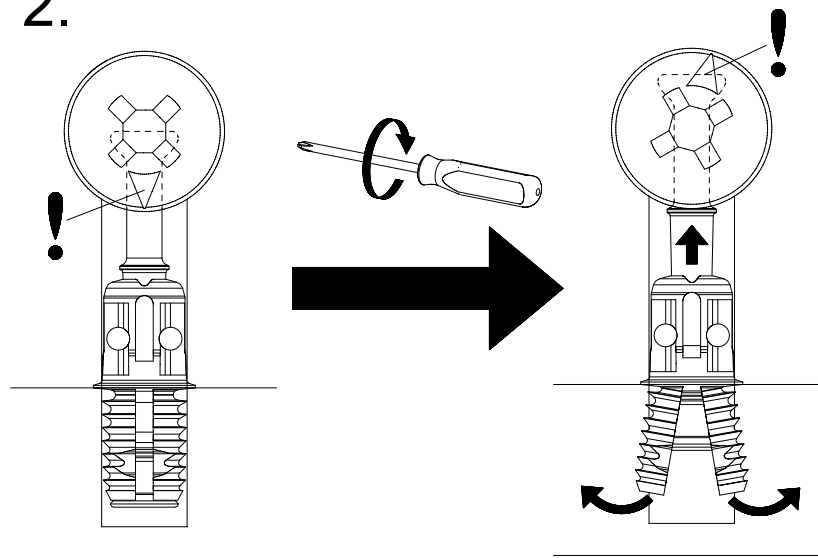
Scan Me



1.



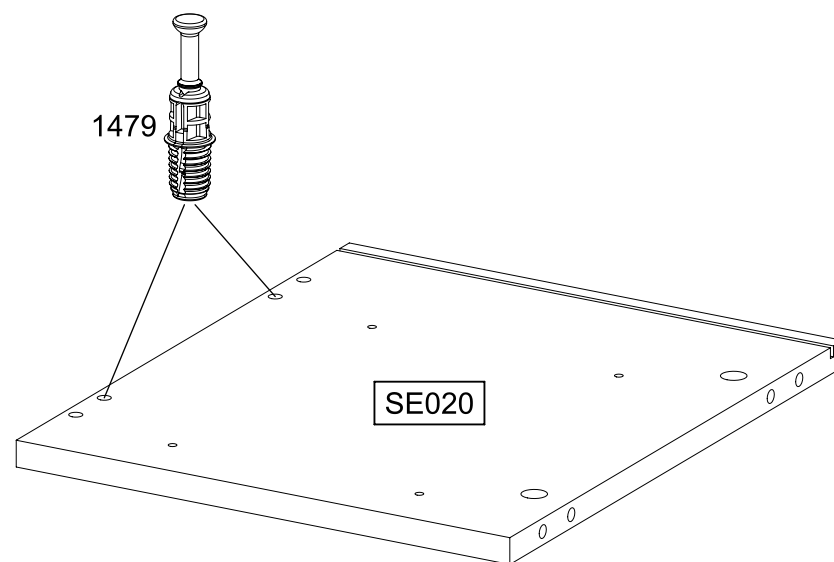
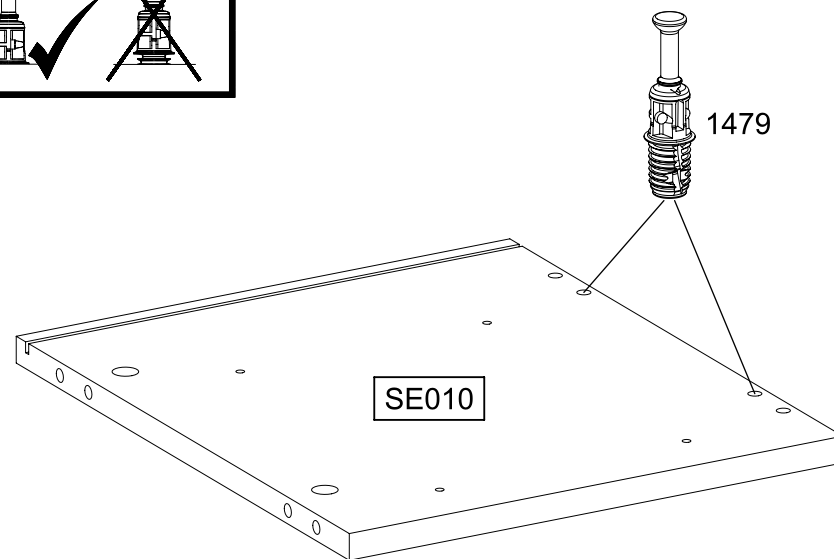
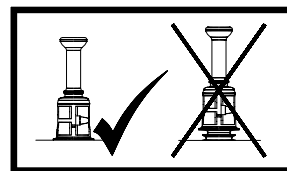
2.

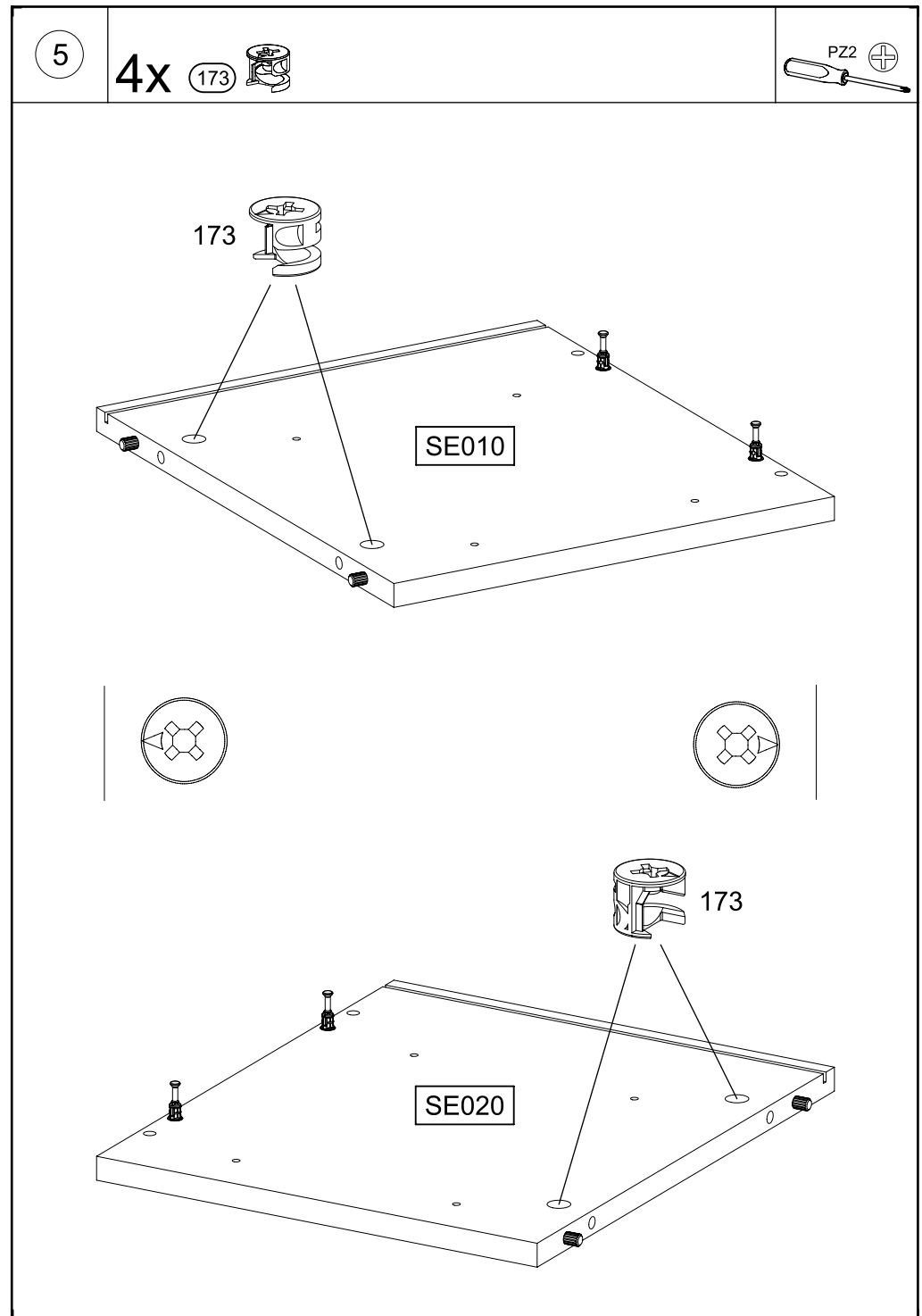
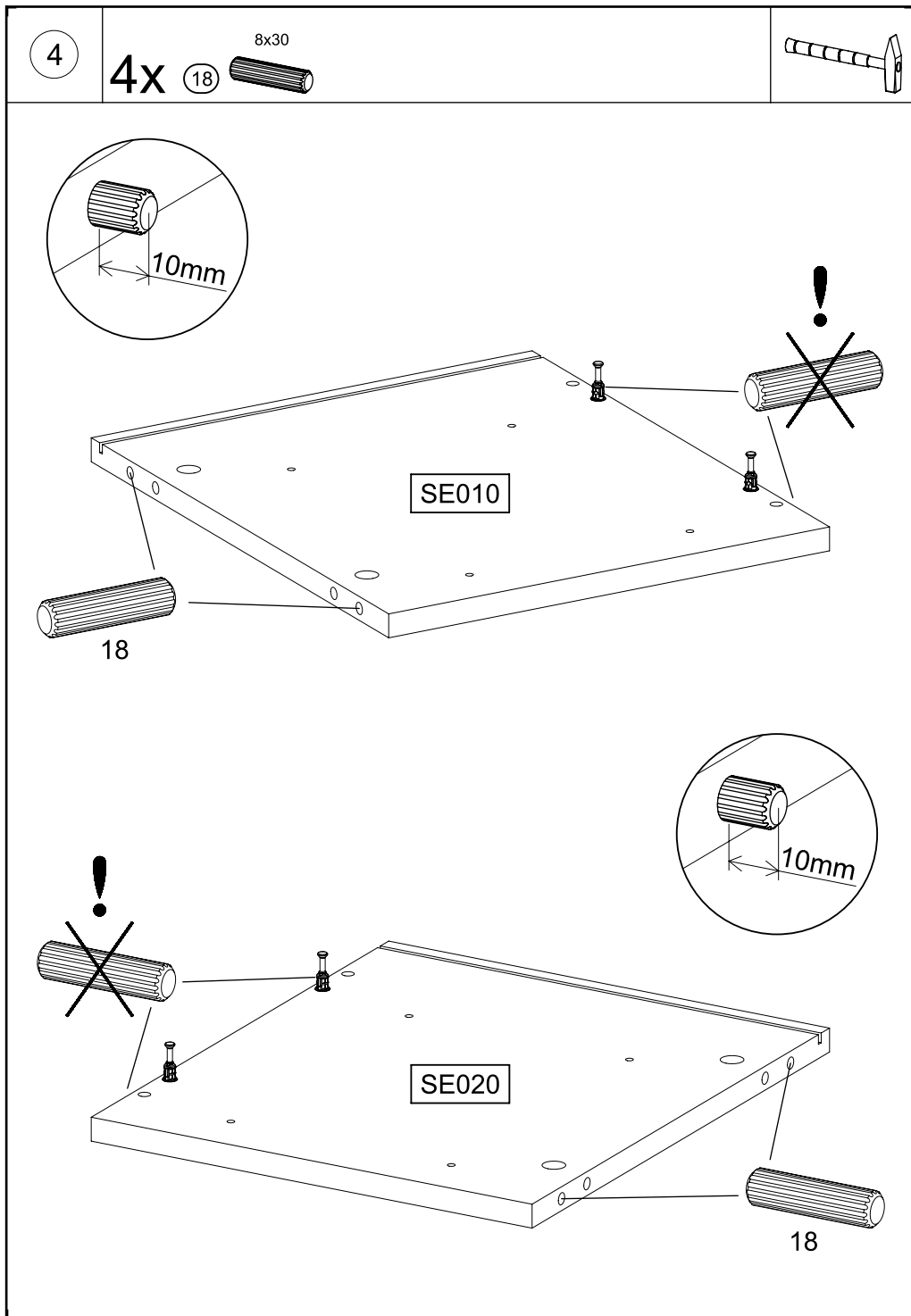


3

4x

1479

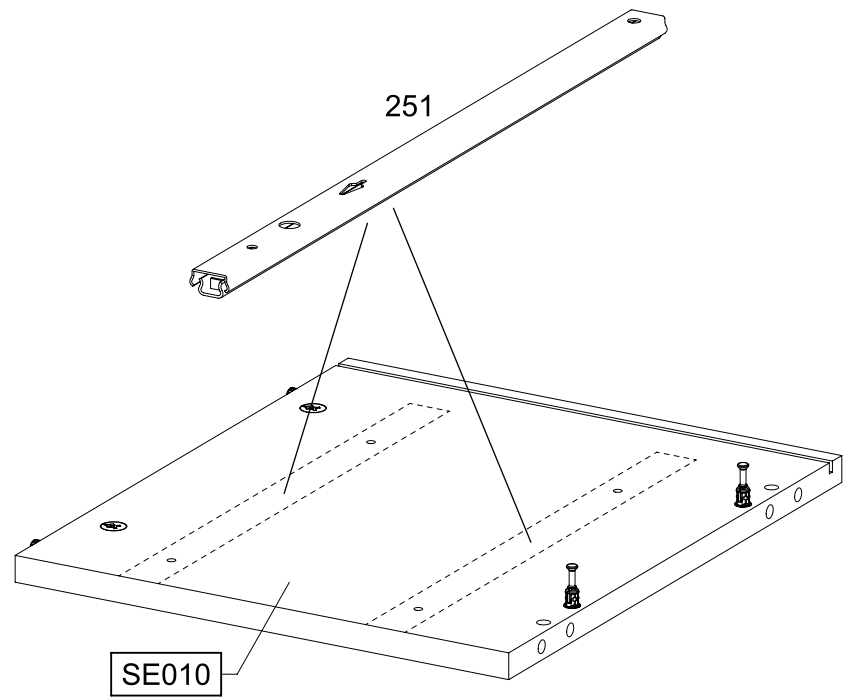
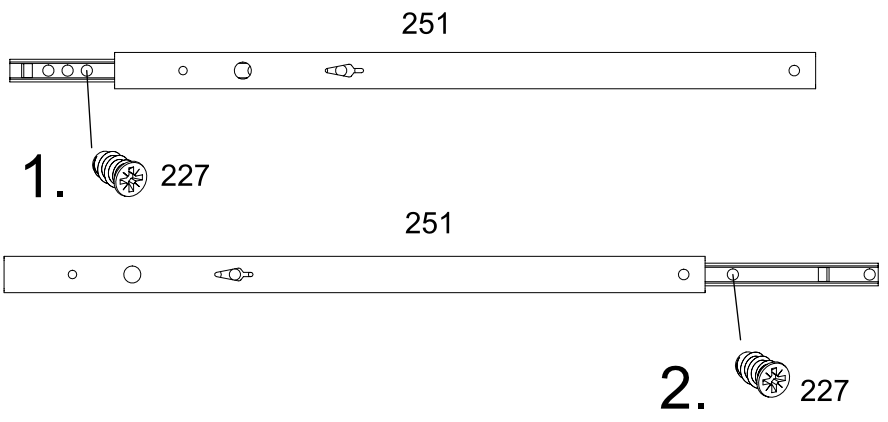
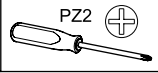
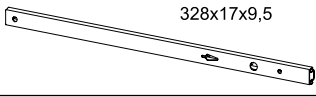




6

4x 227 6x10,5

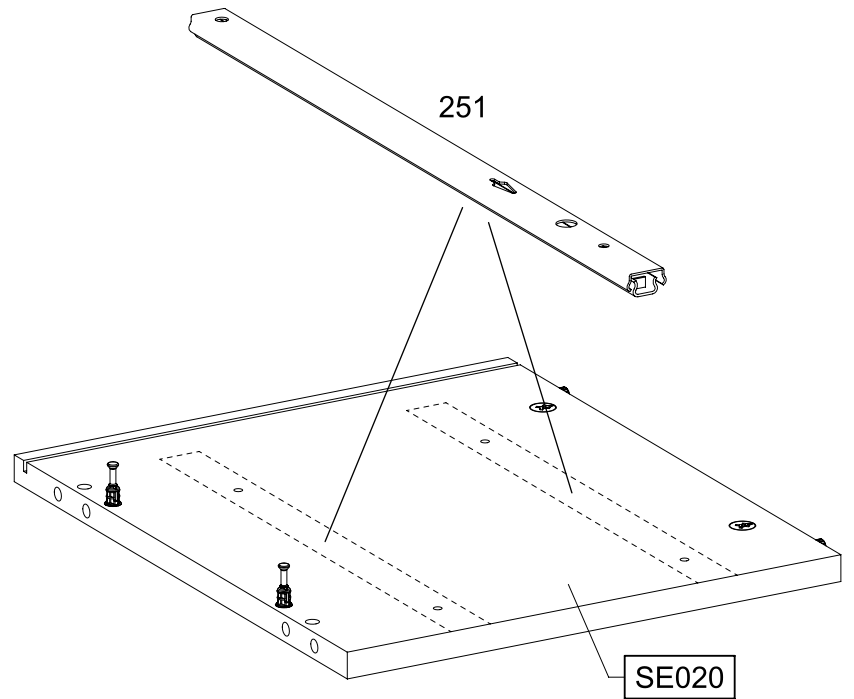
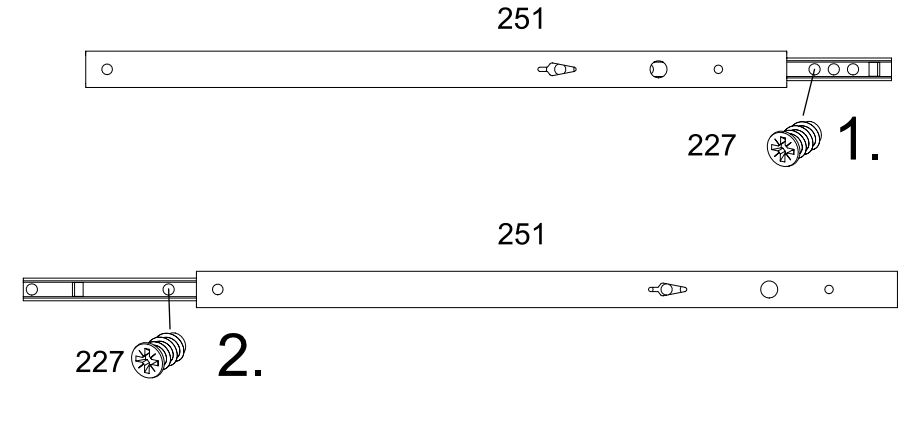
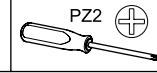
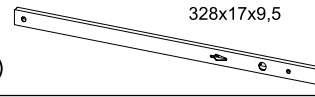
2x 251

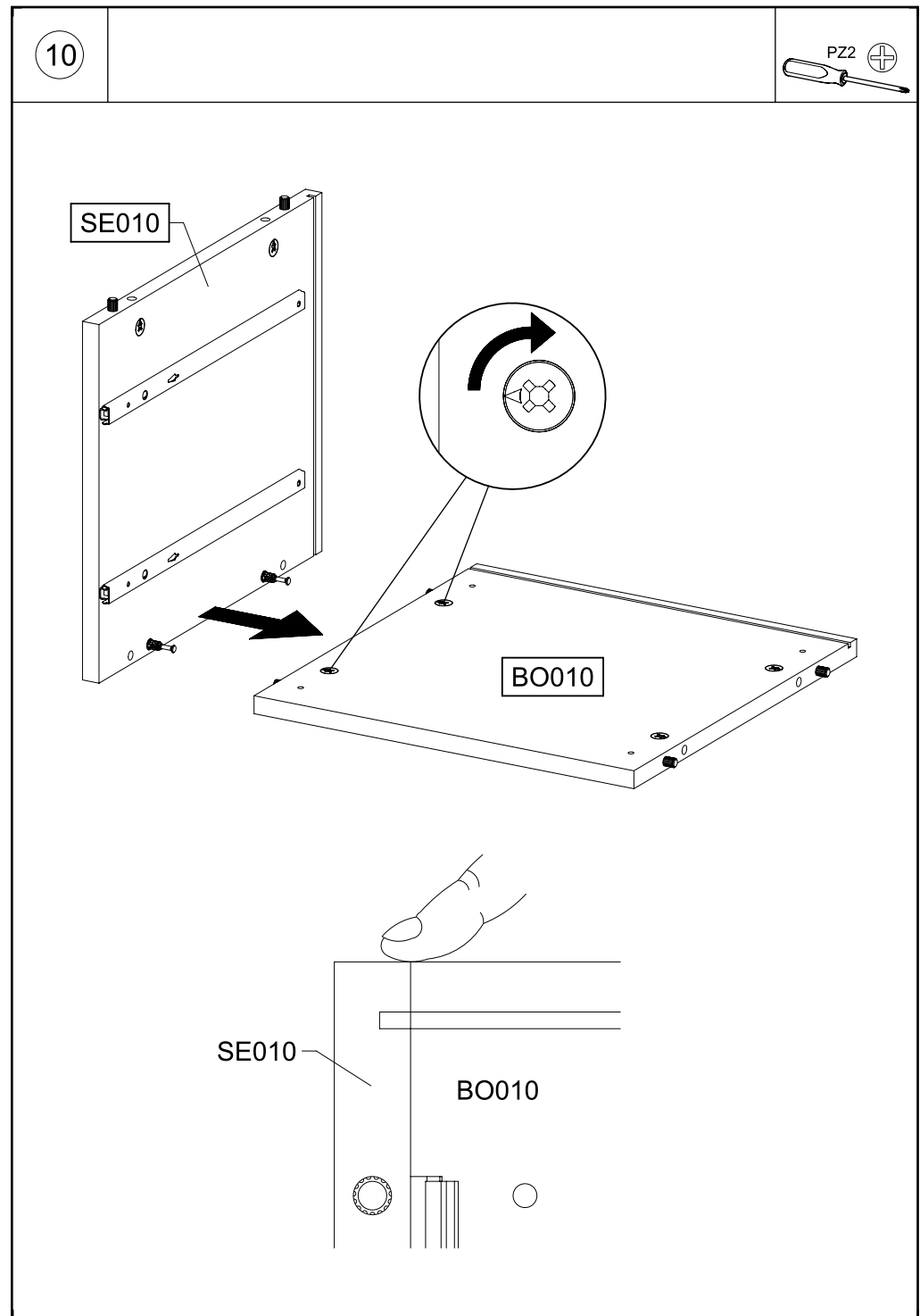
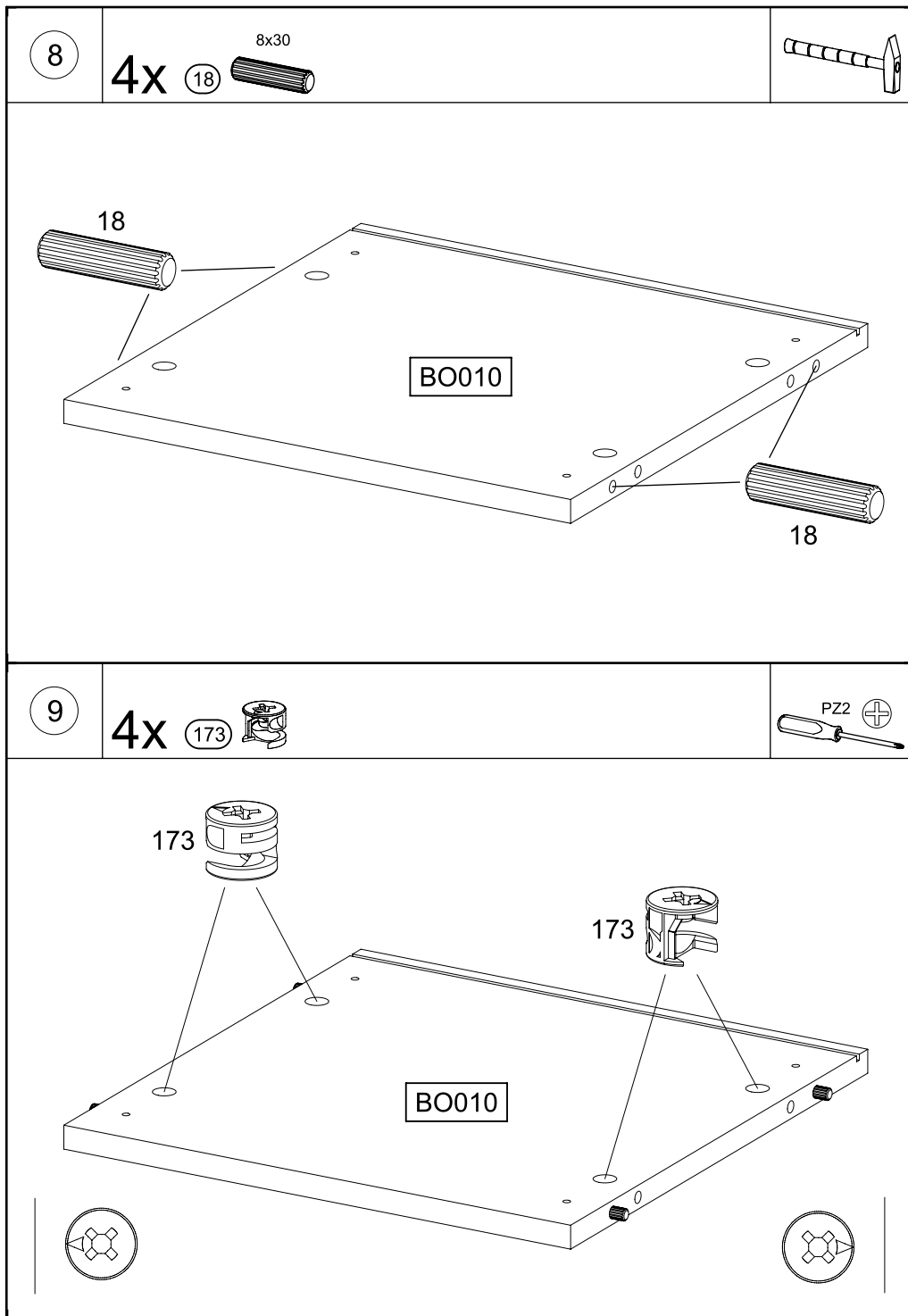


7

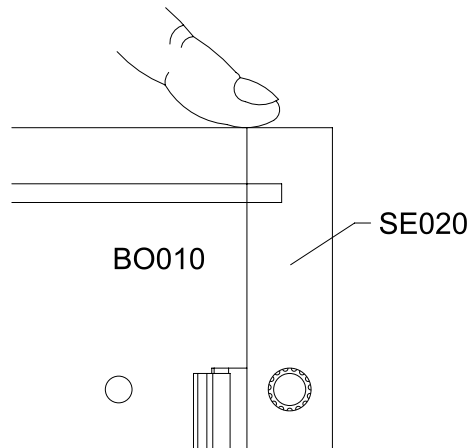
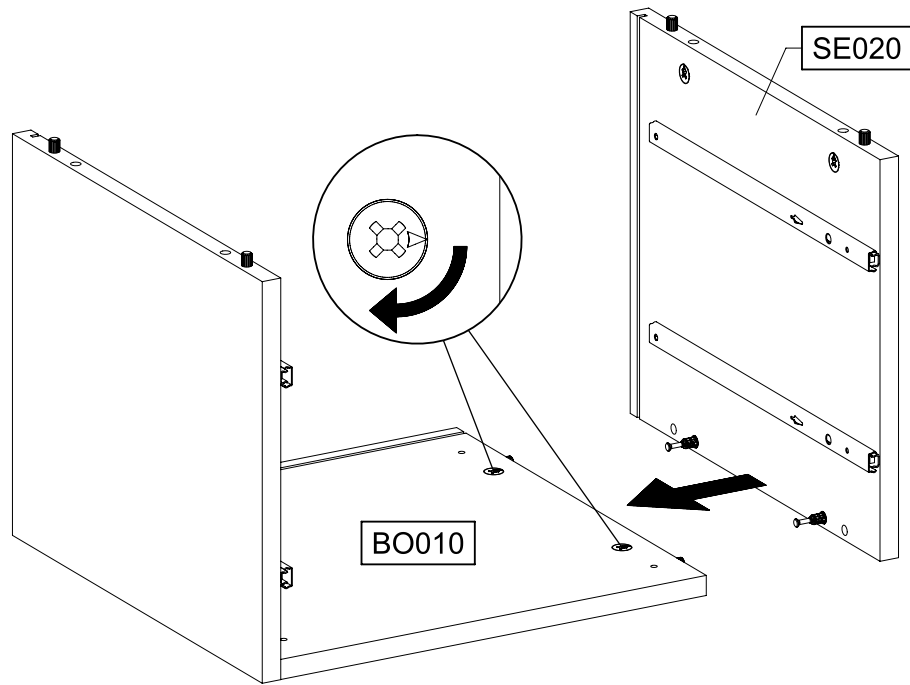
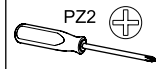
4x 227 6x10,5

2x 251

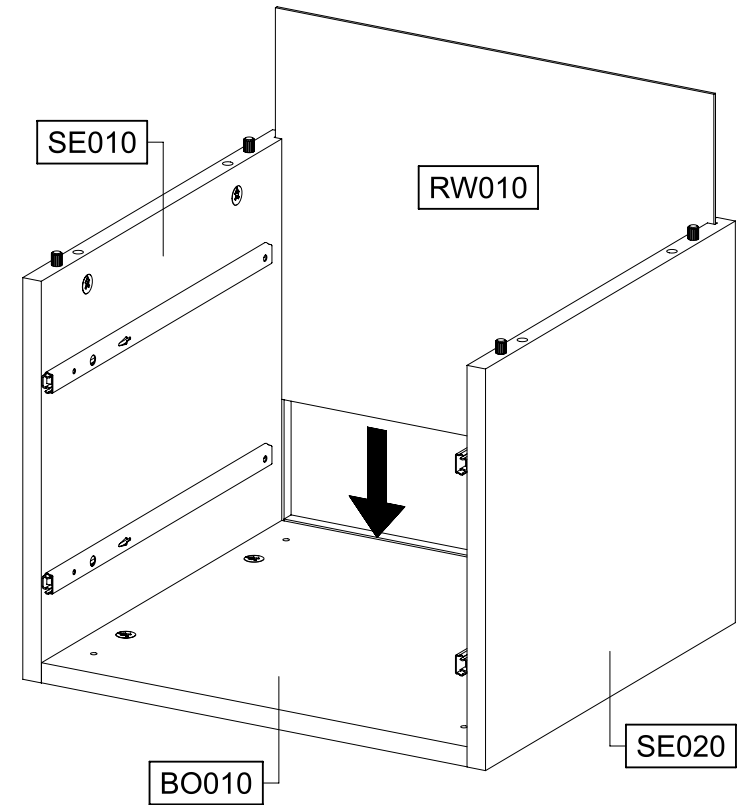




11

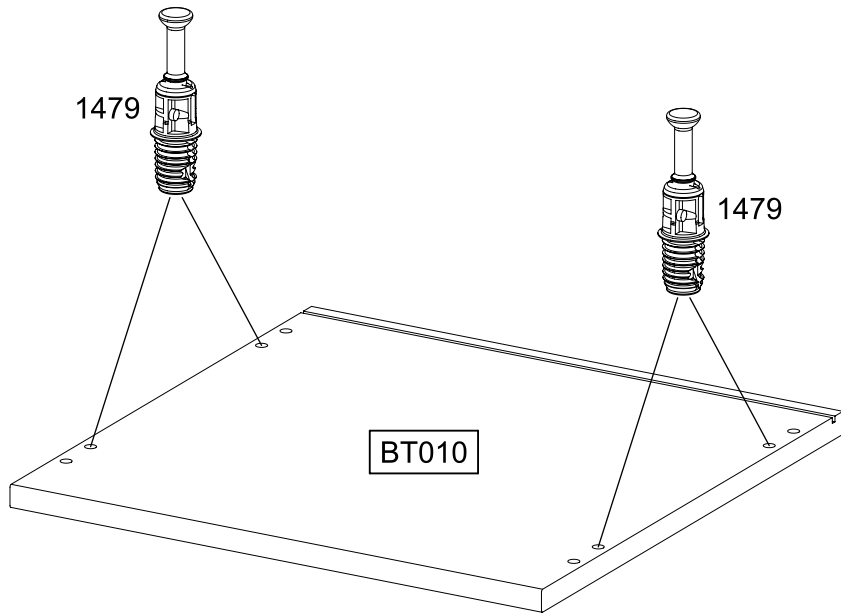
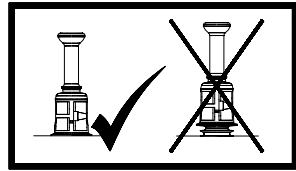
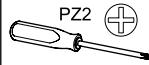


12



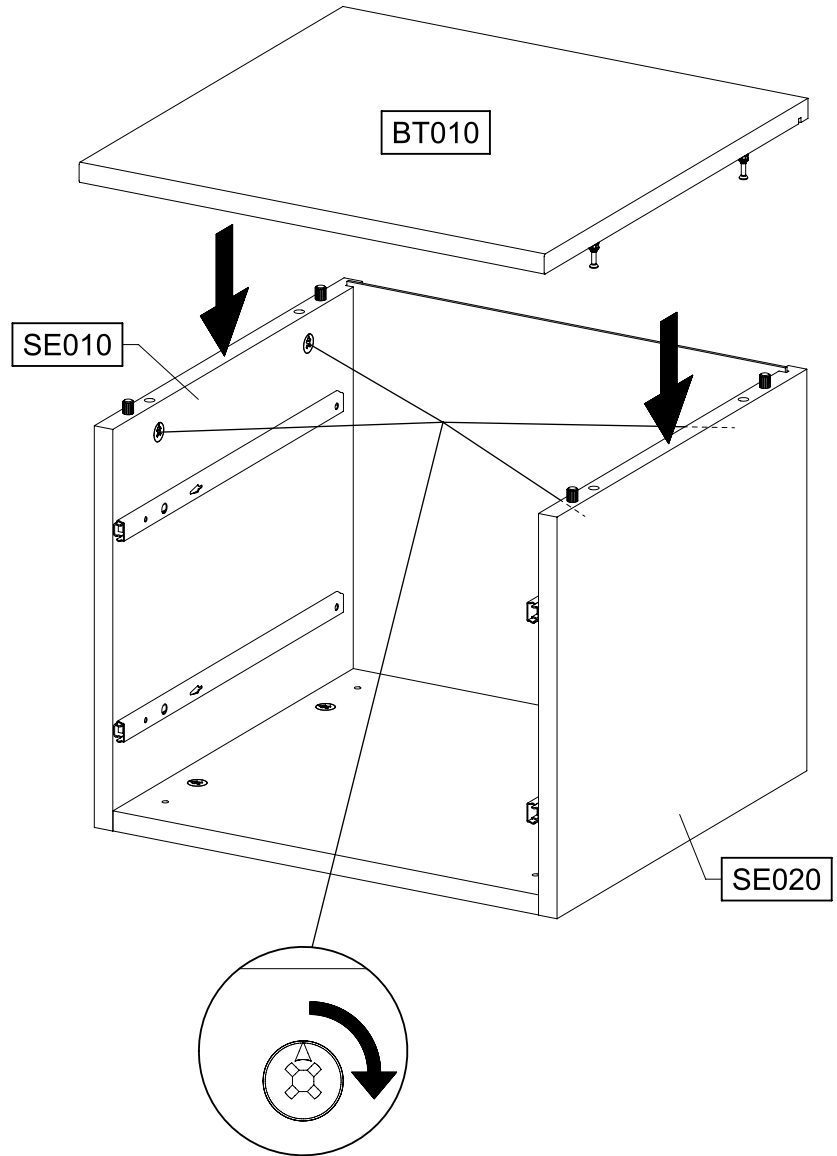
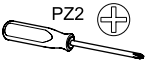
13

4x 1479



BT010

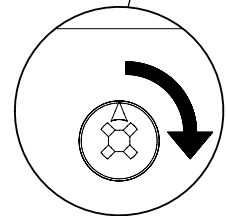
14



BT010

SE010

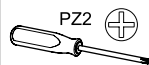
SE020



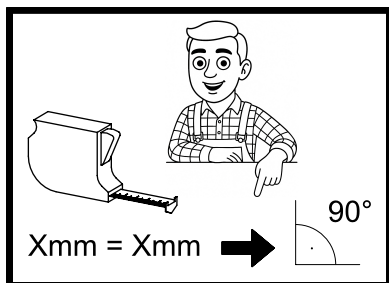
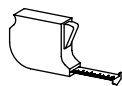
15

2x

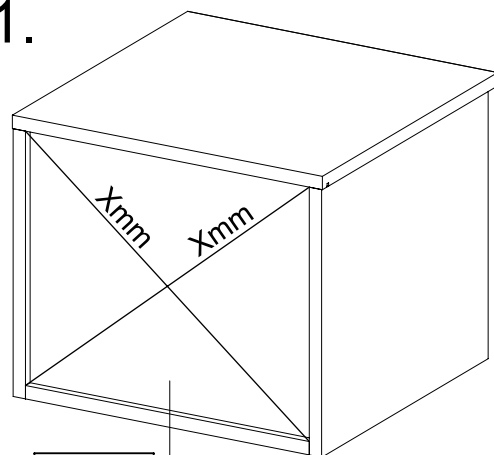
45



PZ2

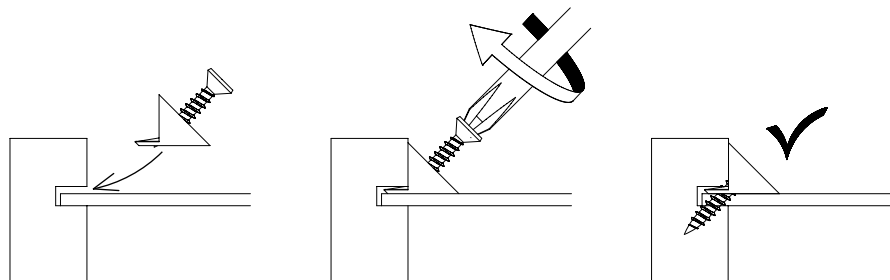
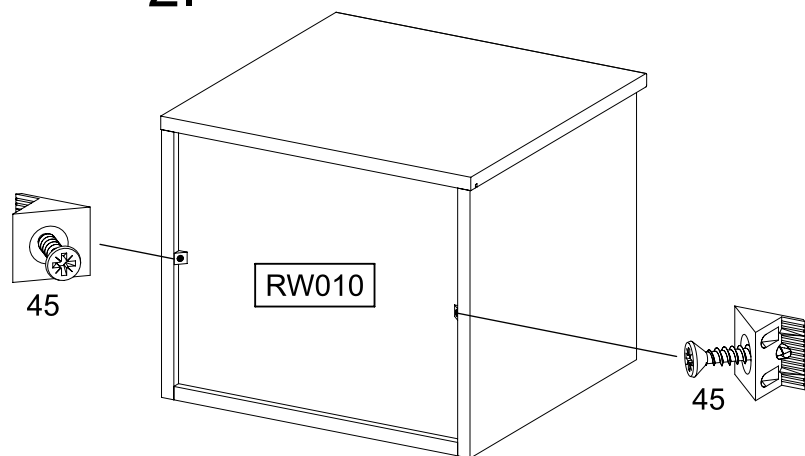


1.

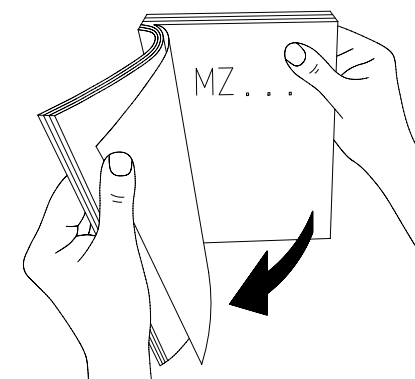
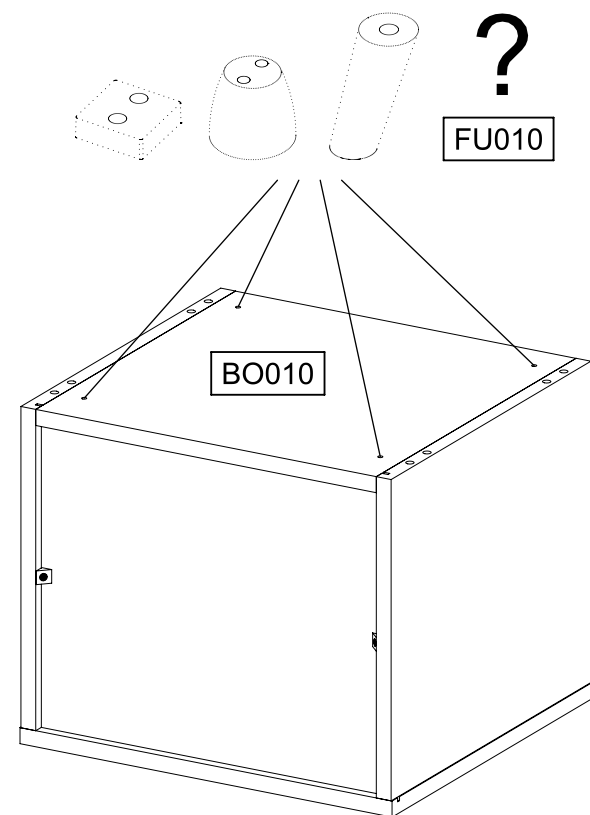


RW010

2.

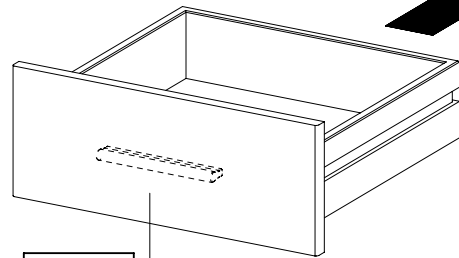
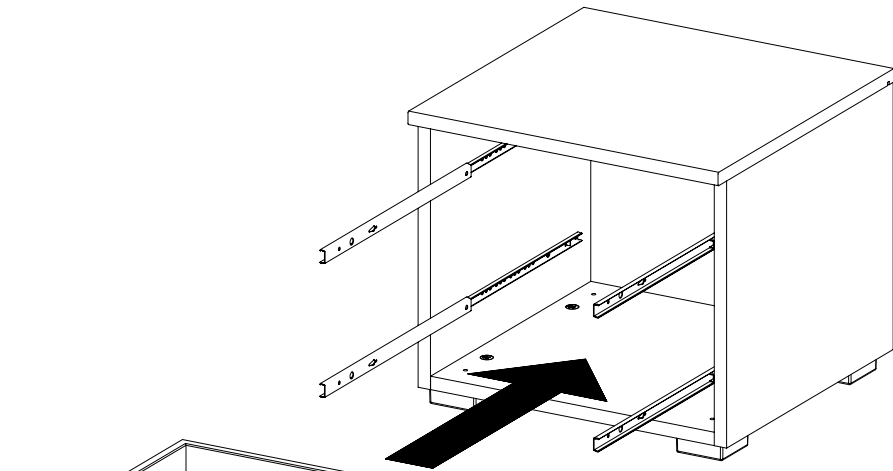
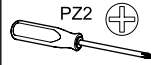


16

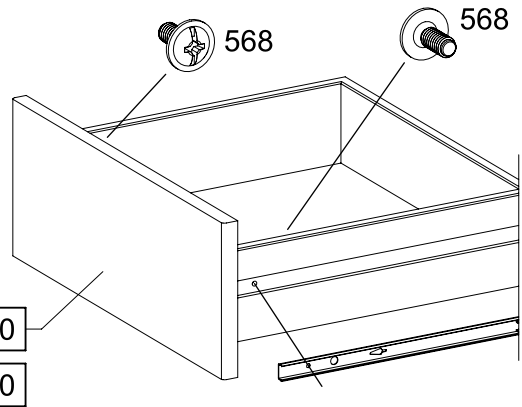


17

4x 568 M4x9



SK010
SK020



SK010
SK020

