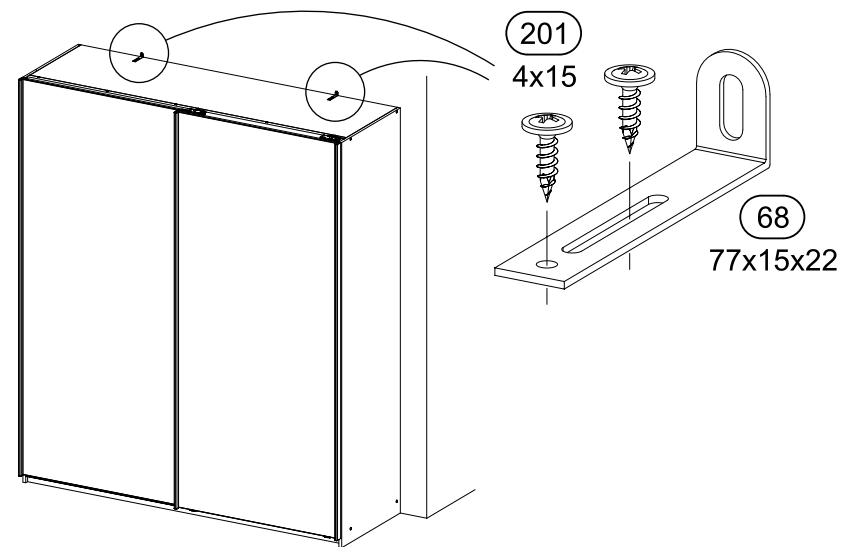
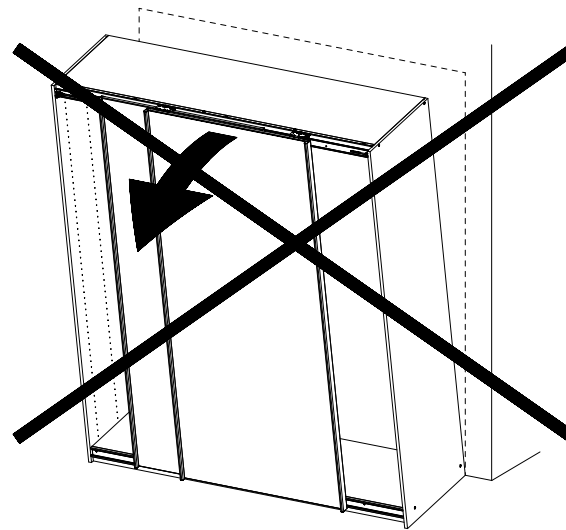
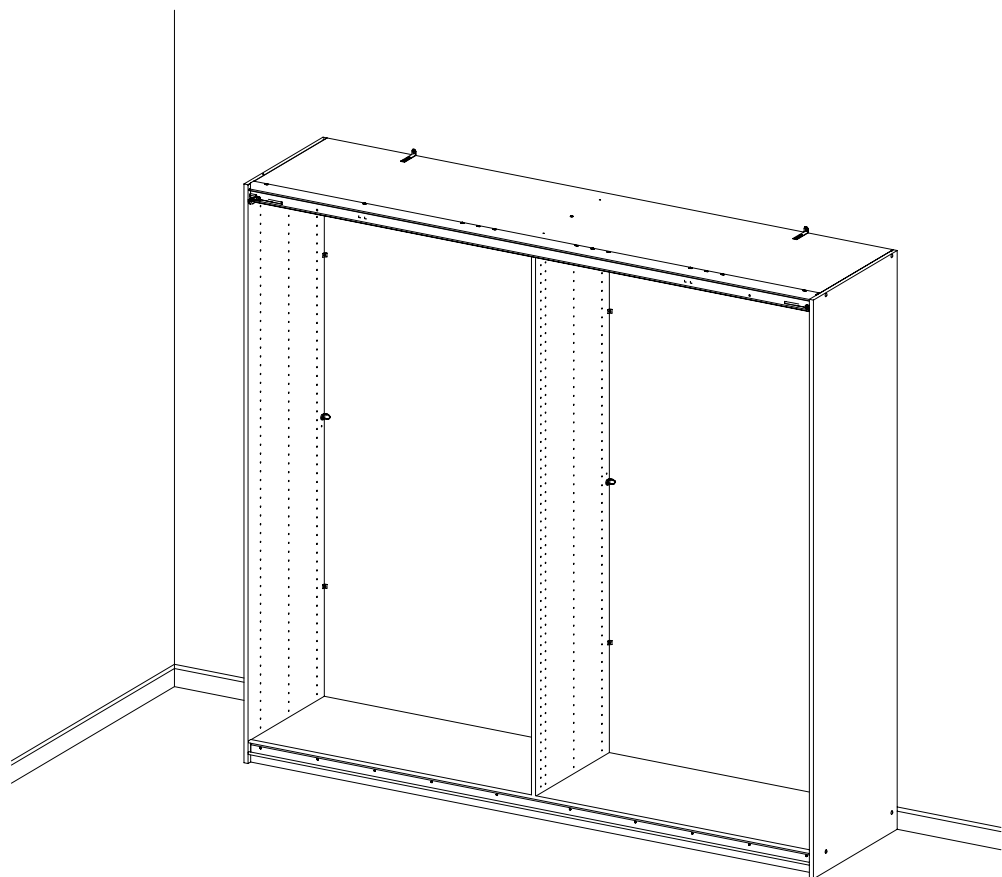
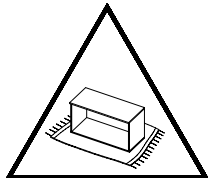
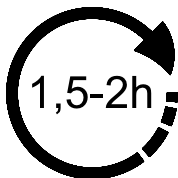
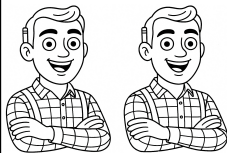
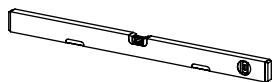
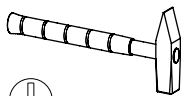
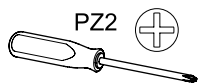
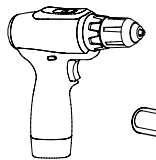


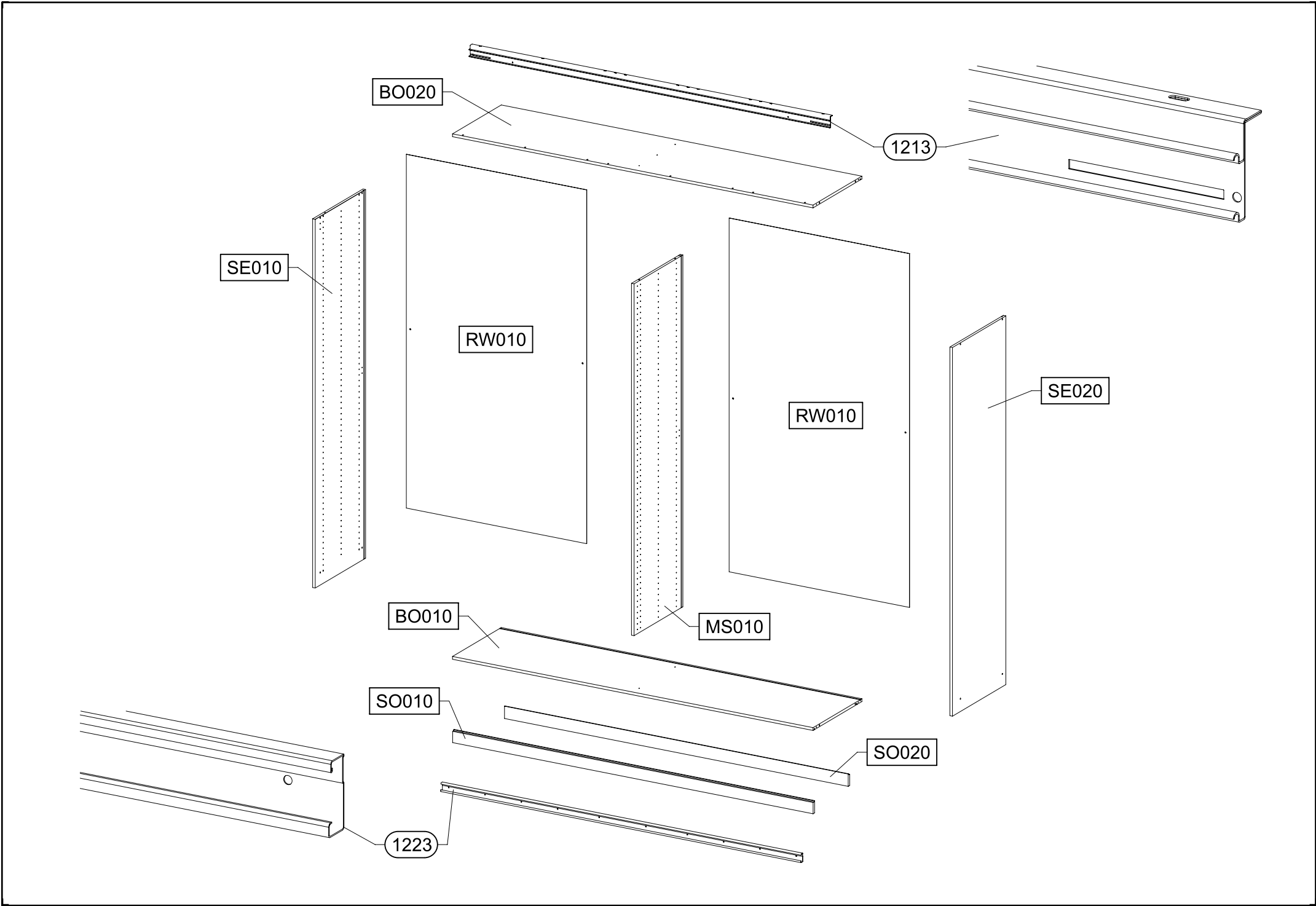
M2575_06

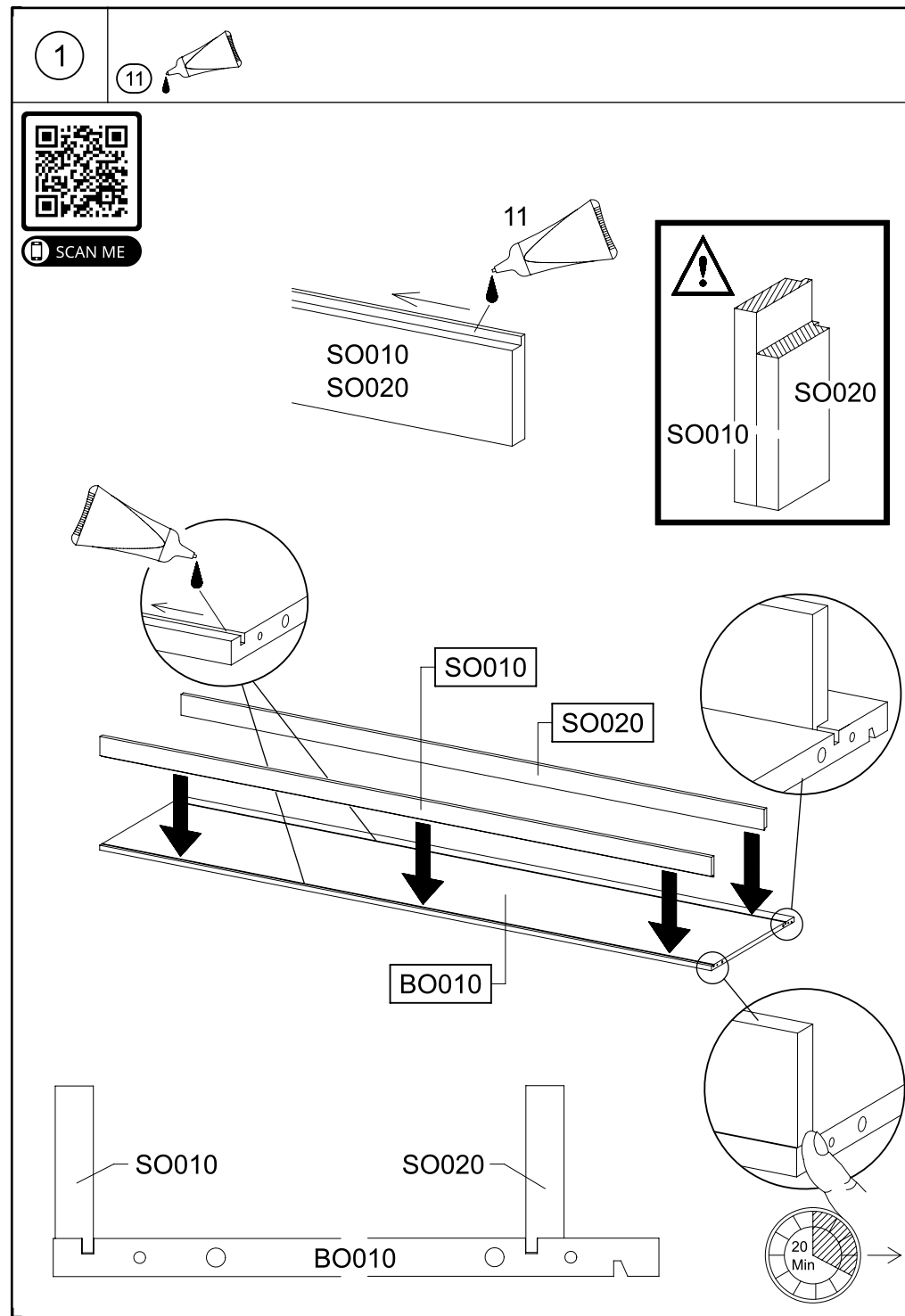
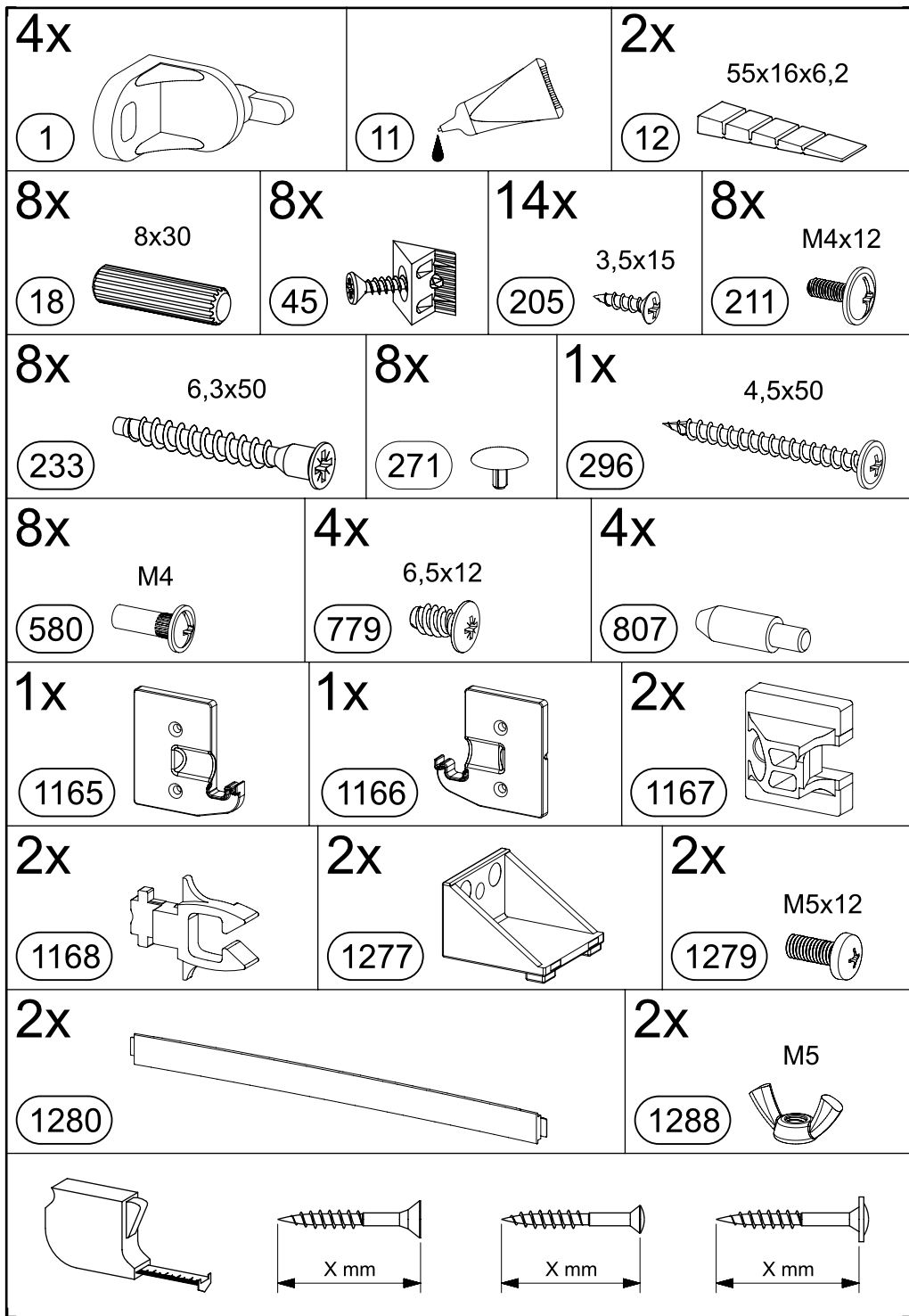


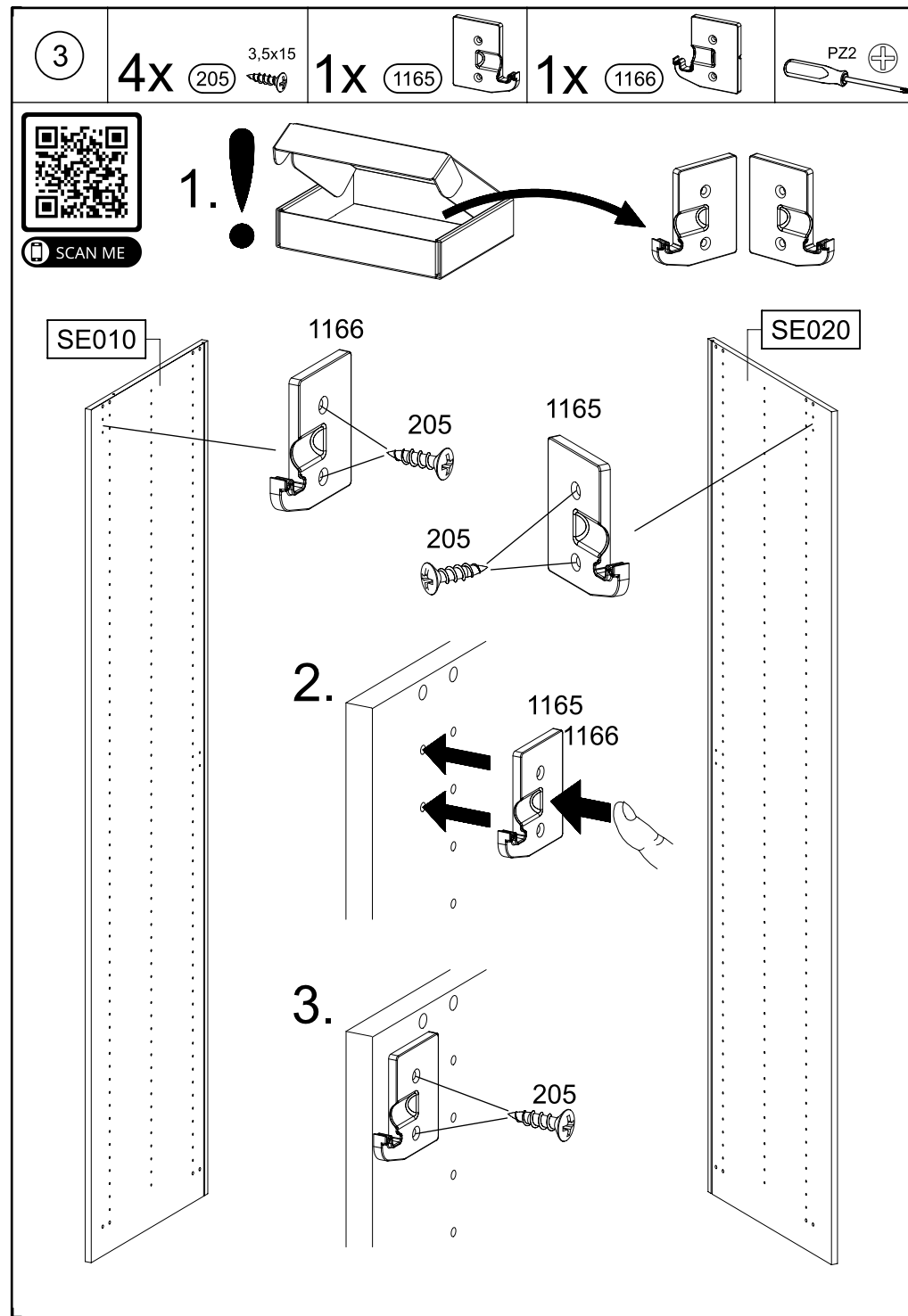
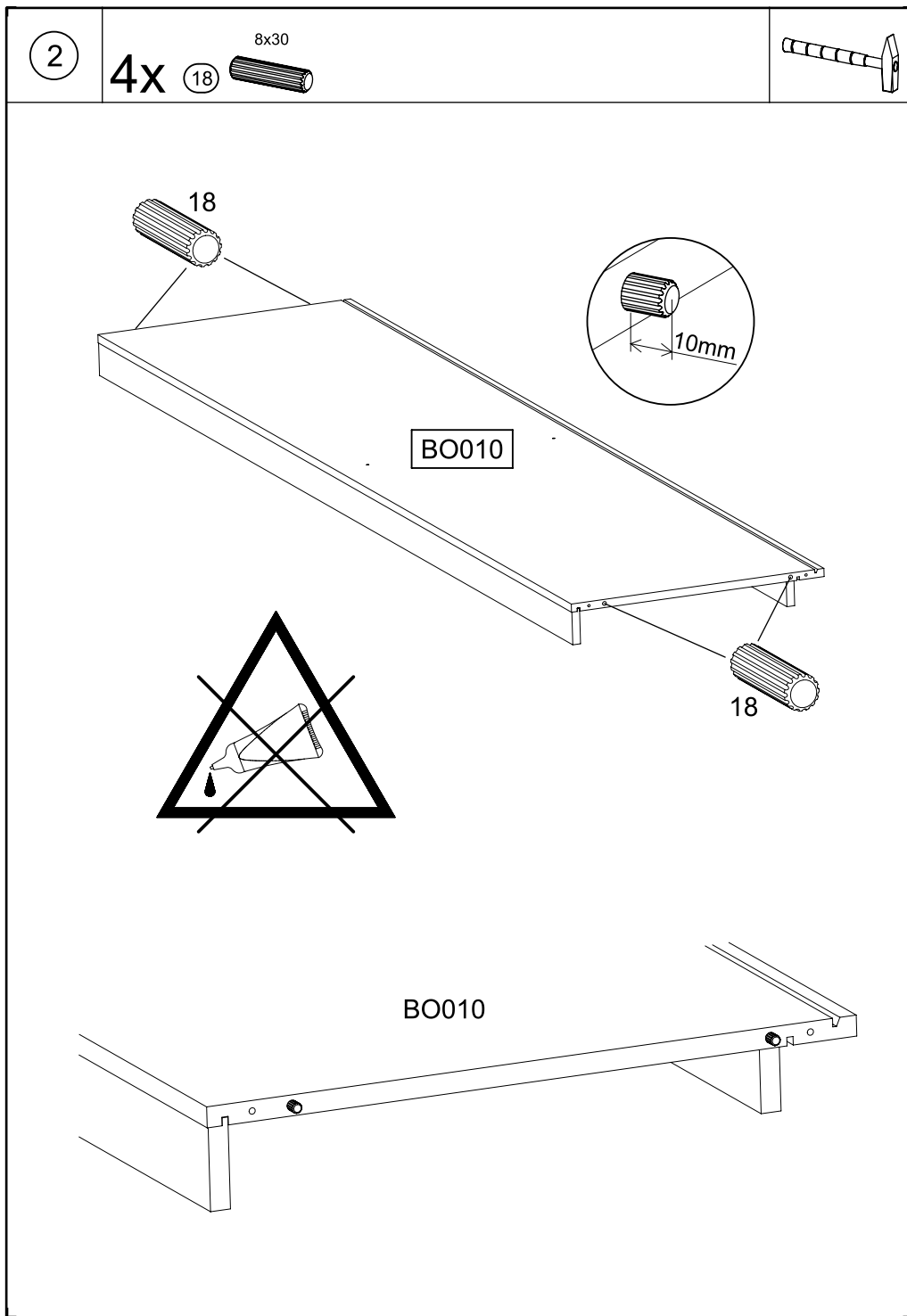
VIDEO

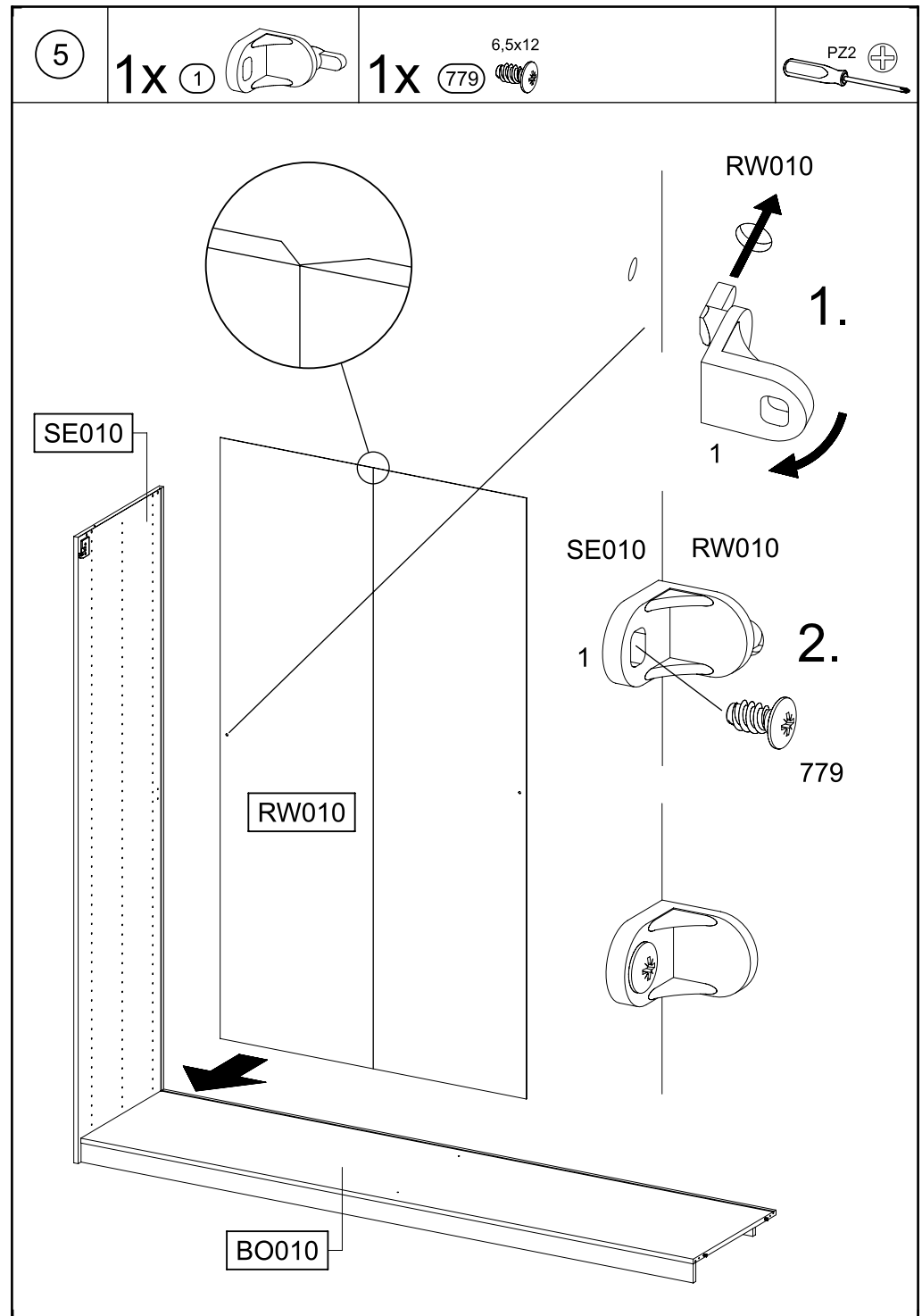
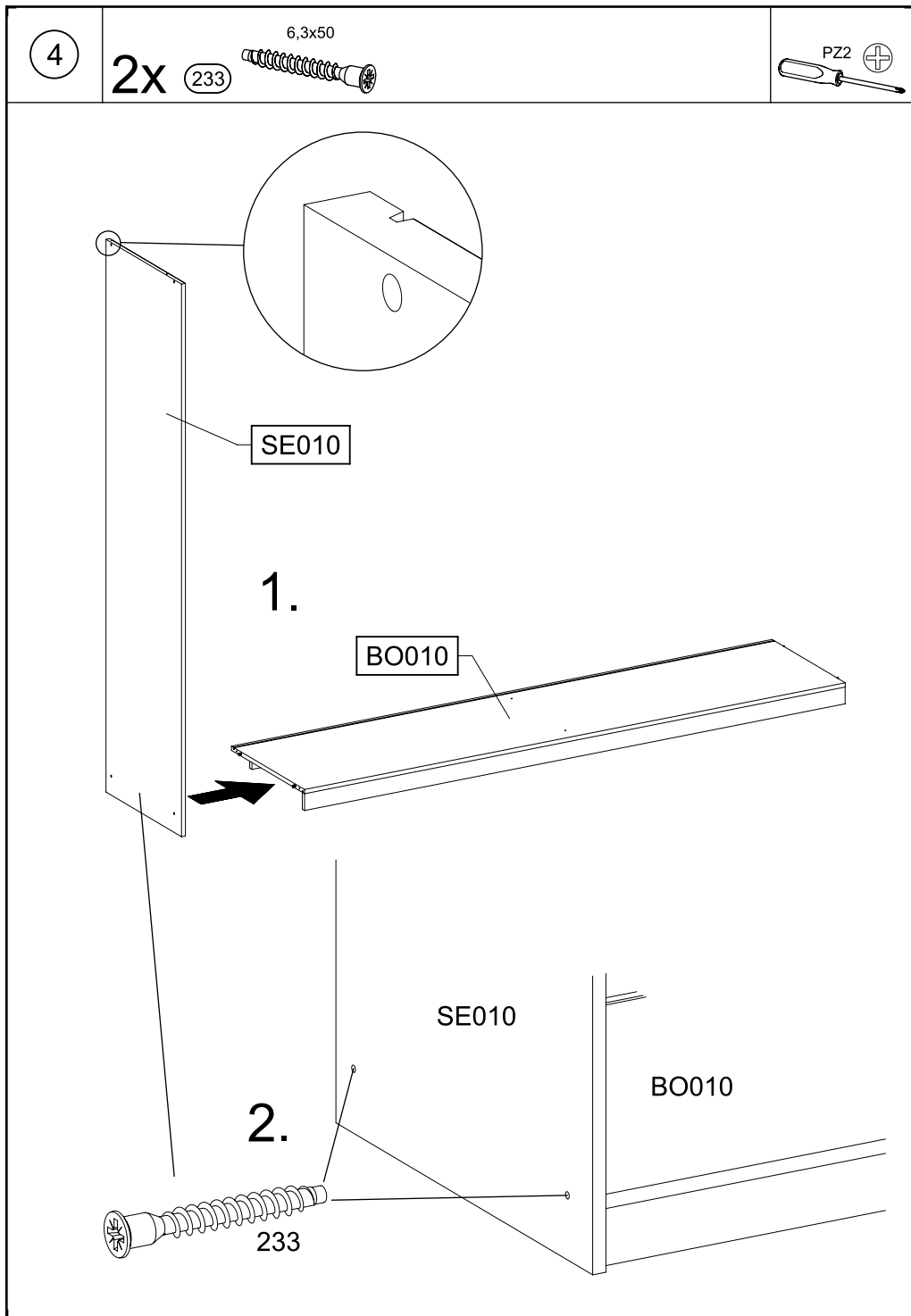


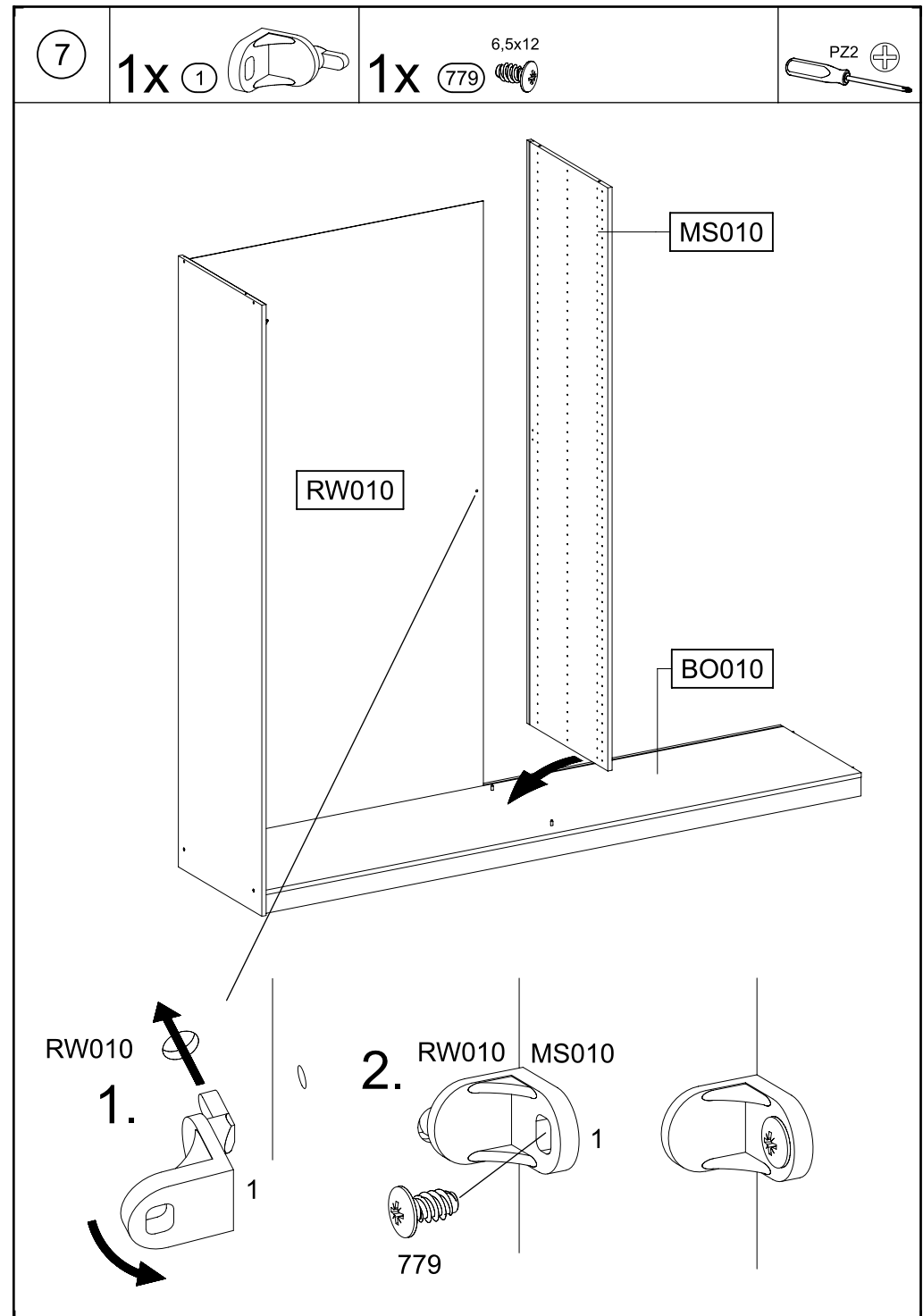
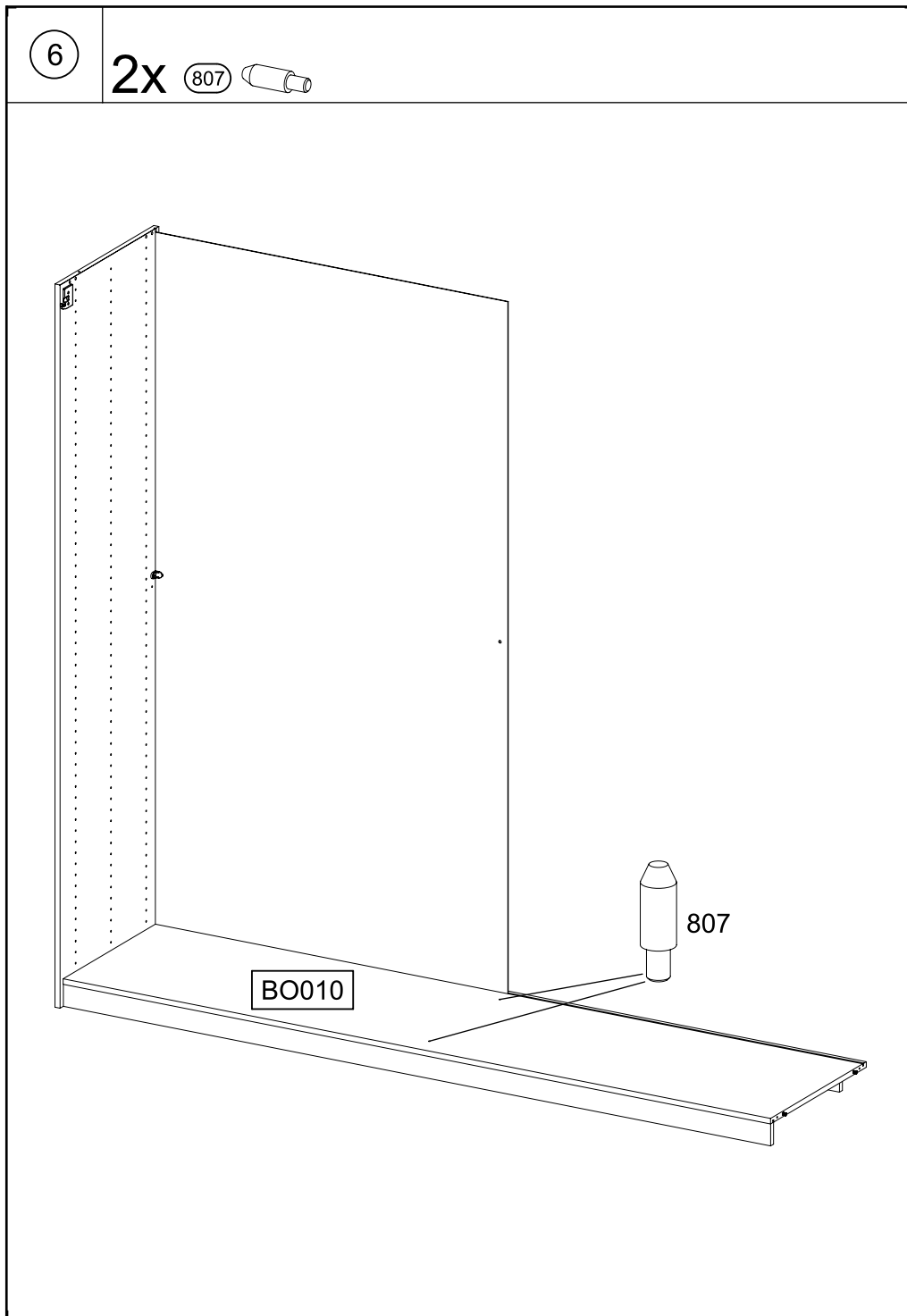
SCAN ME

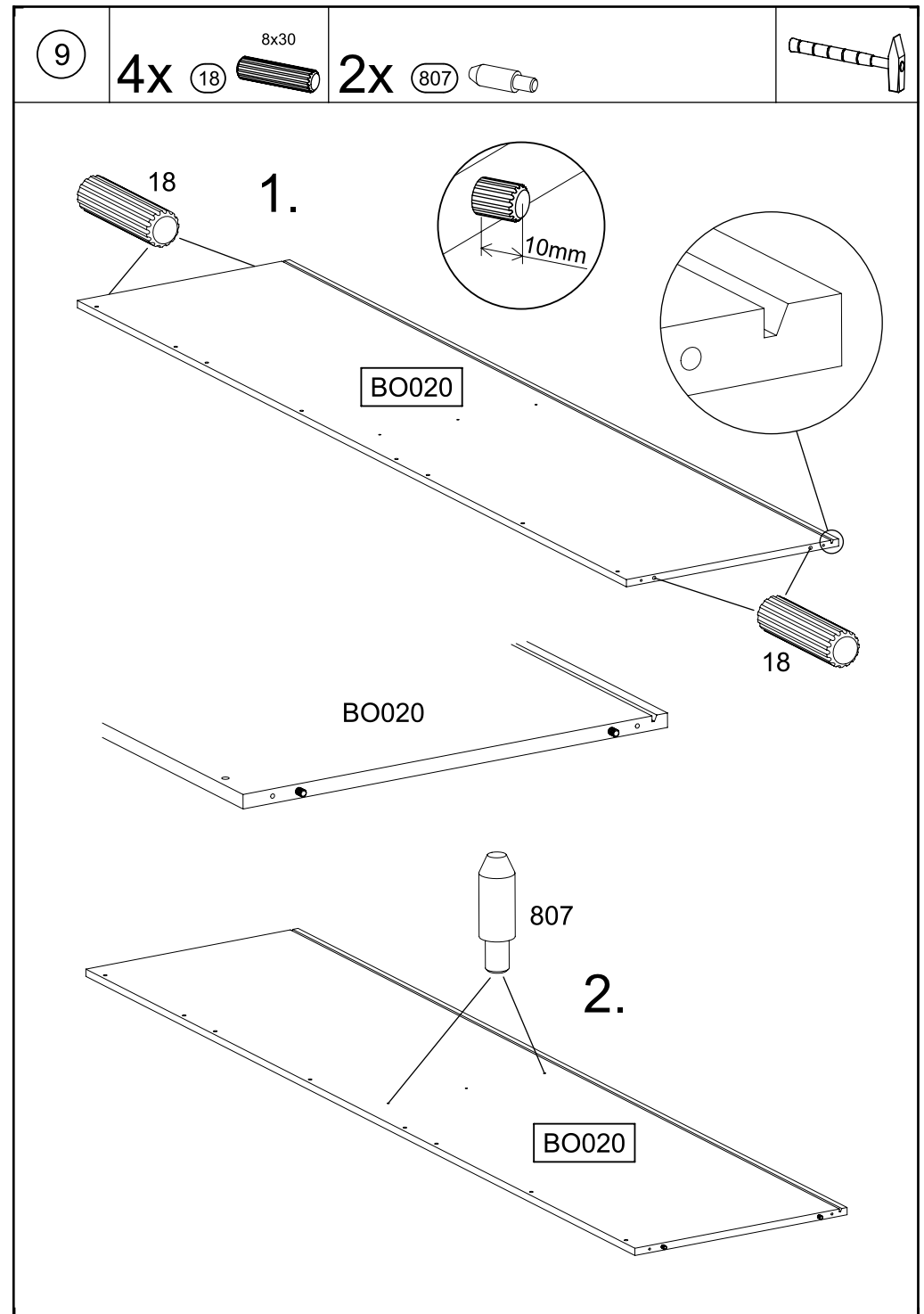
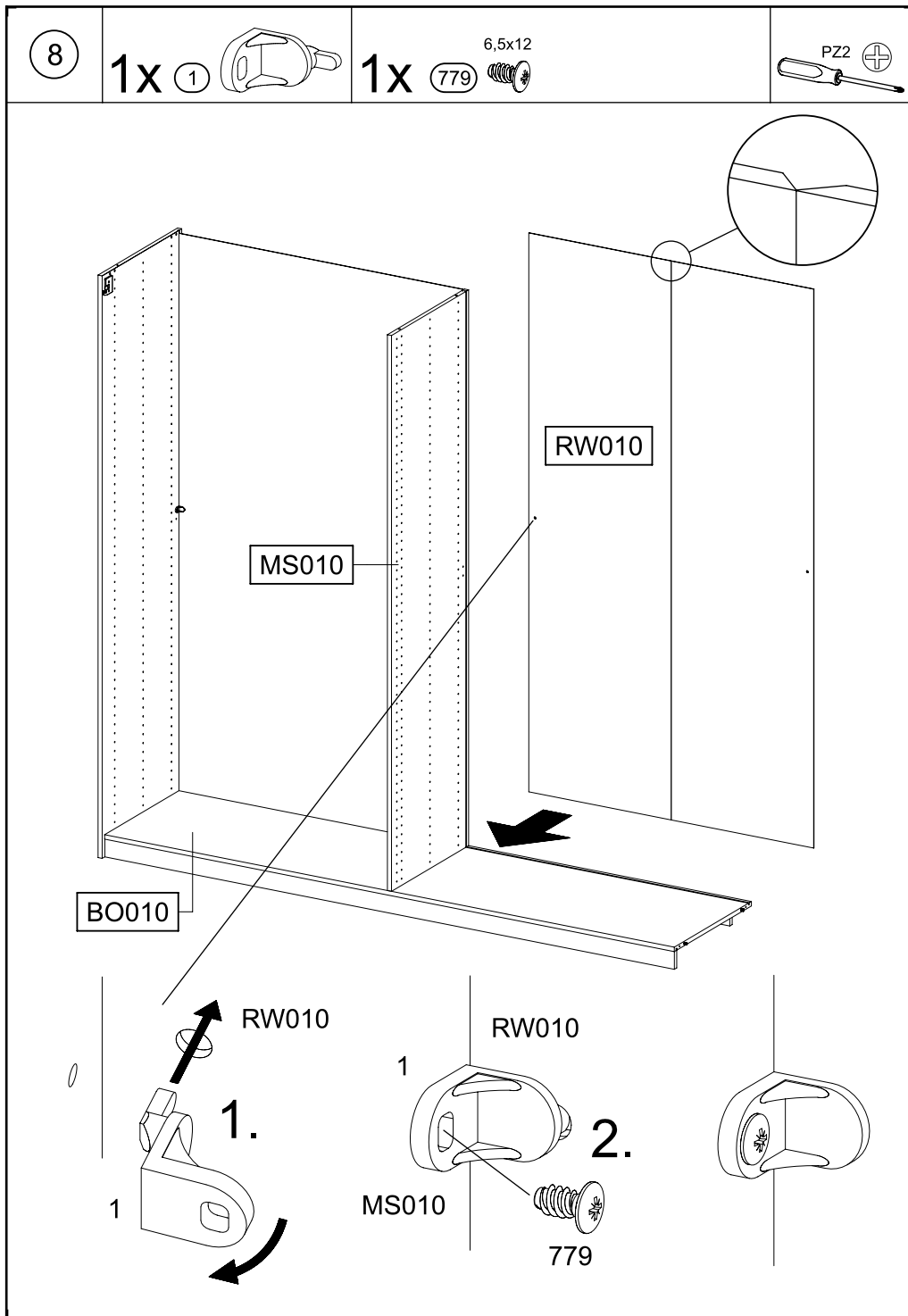


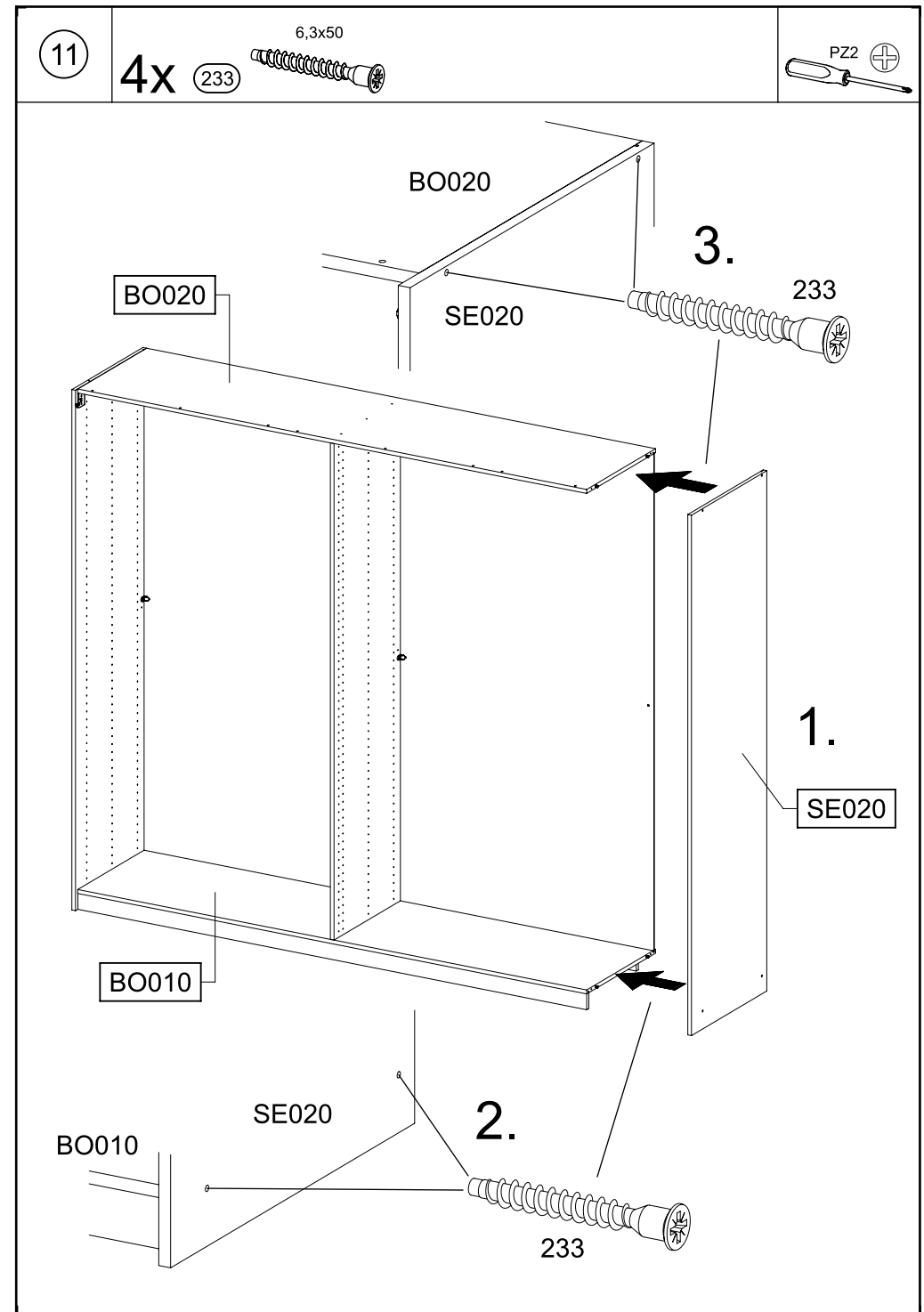
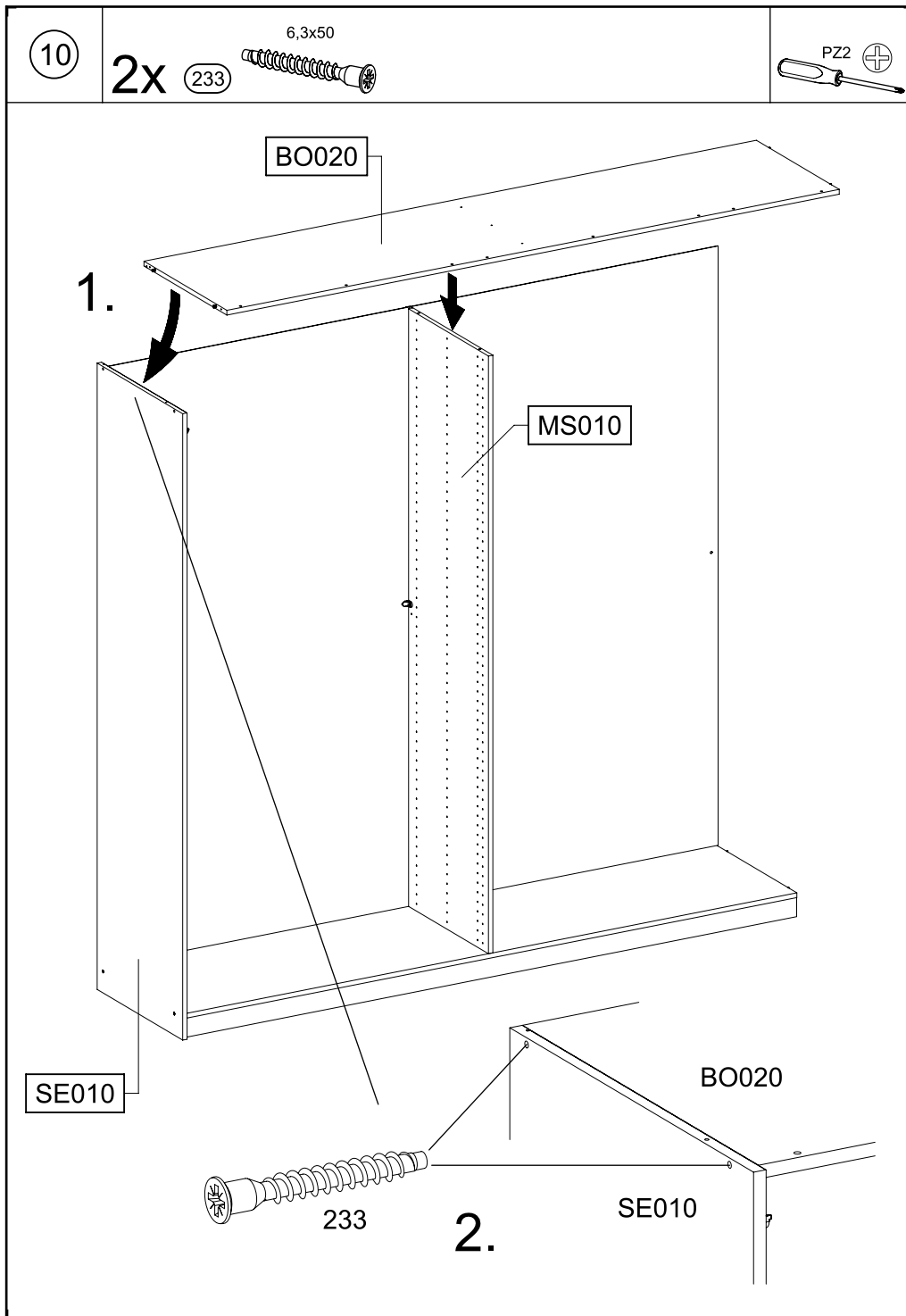












12

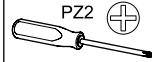
1x 1



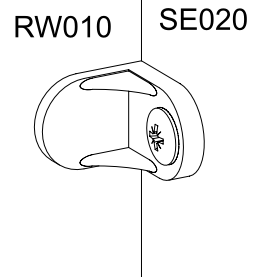
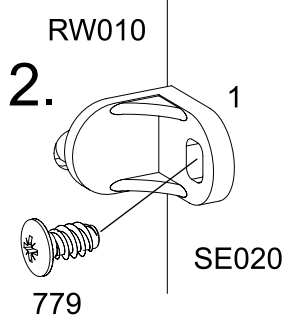
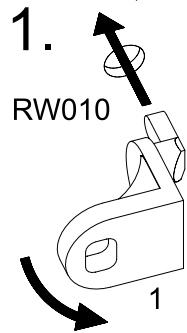
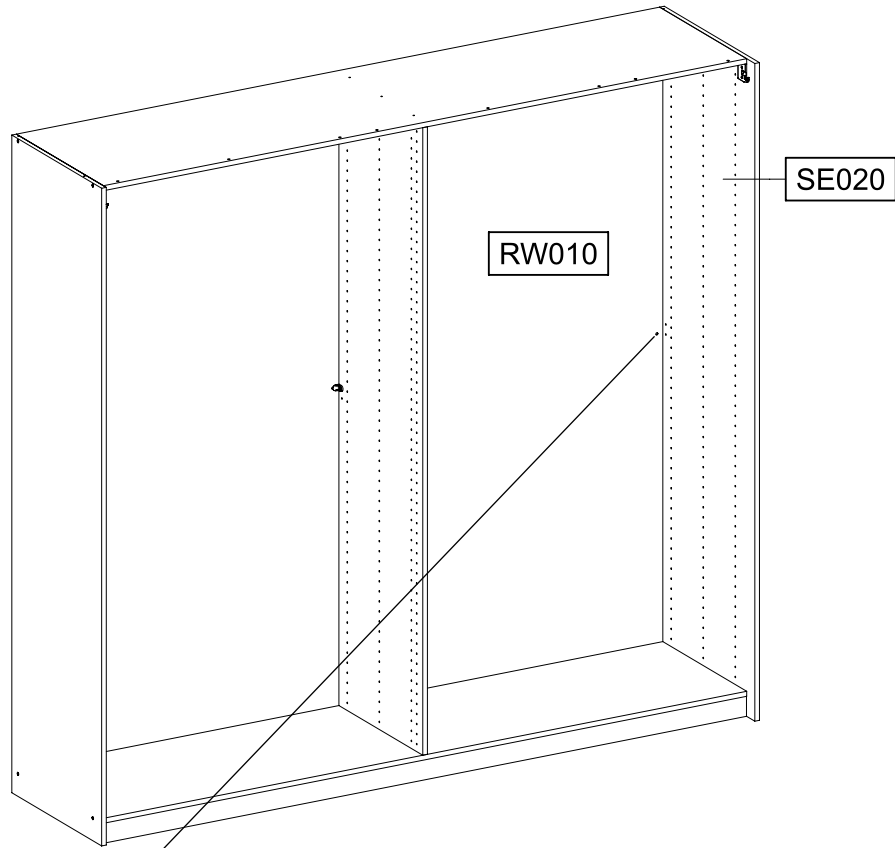
1x

779 6,5x12

6,5x12

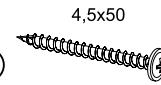


PZ2

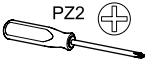


13

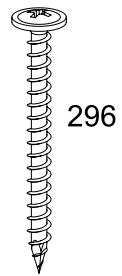
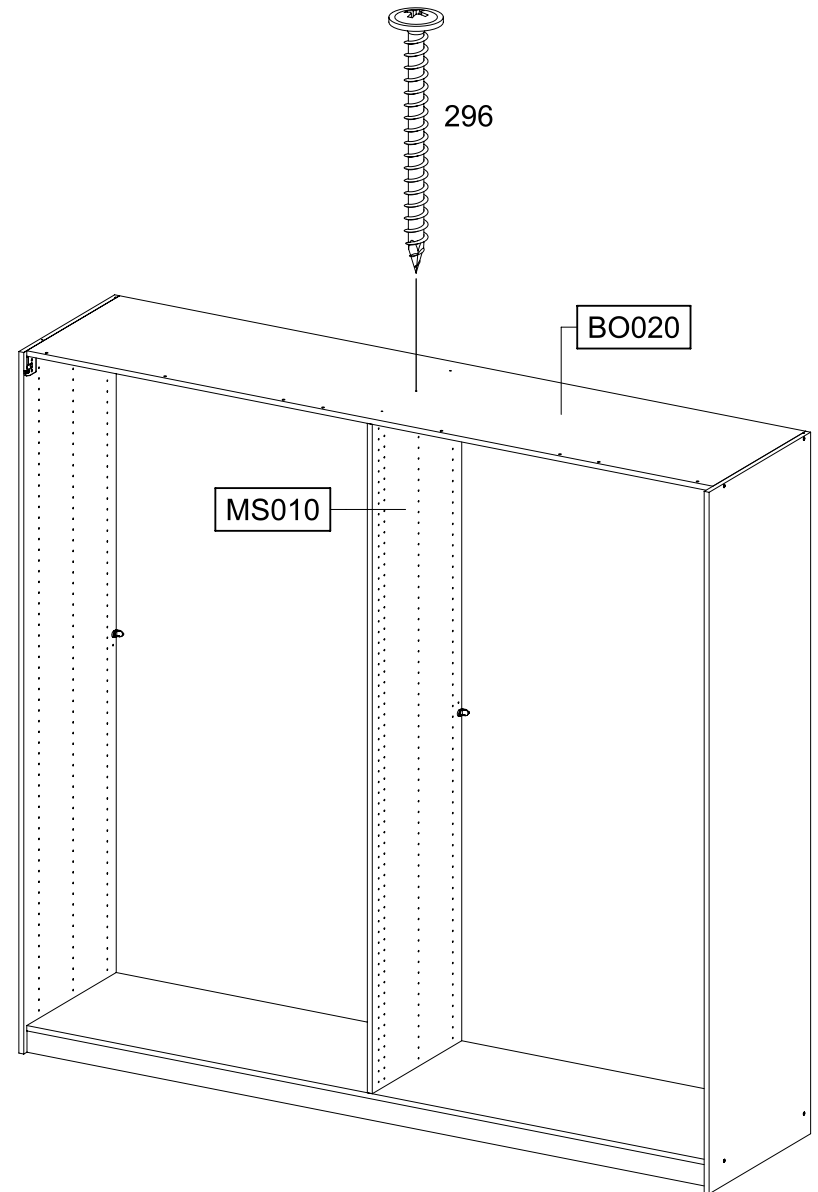
1x 296



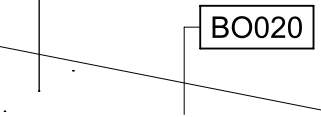
4,5x50

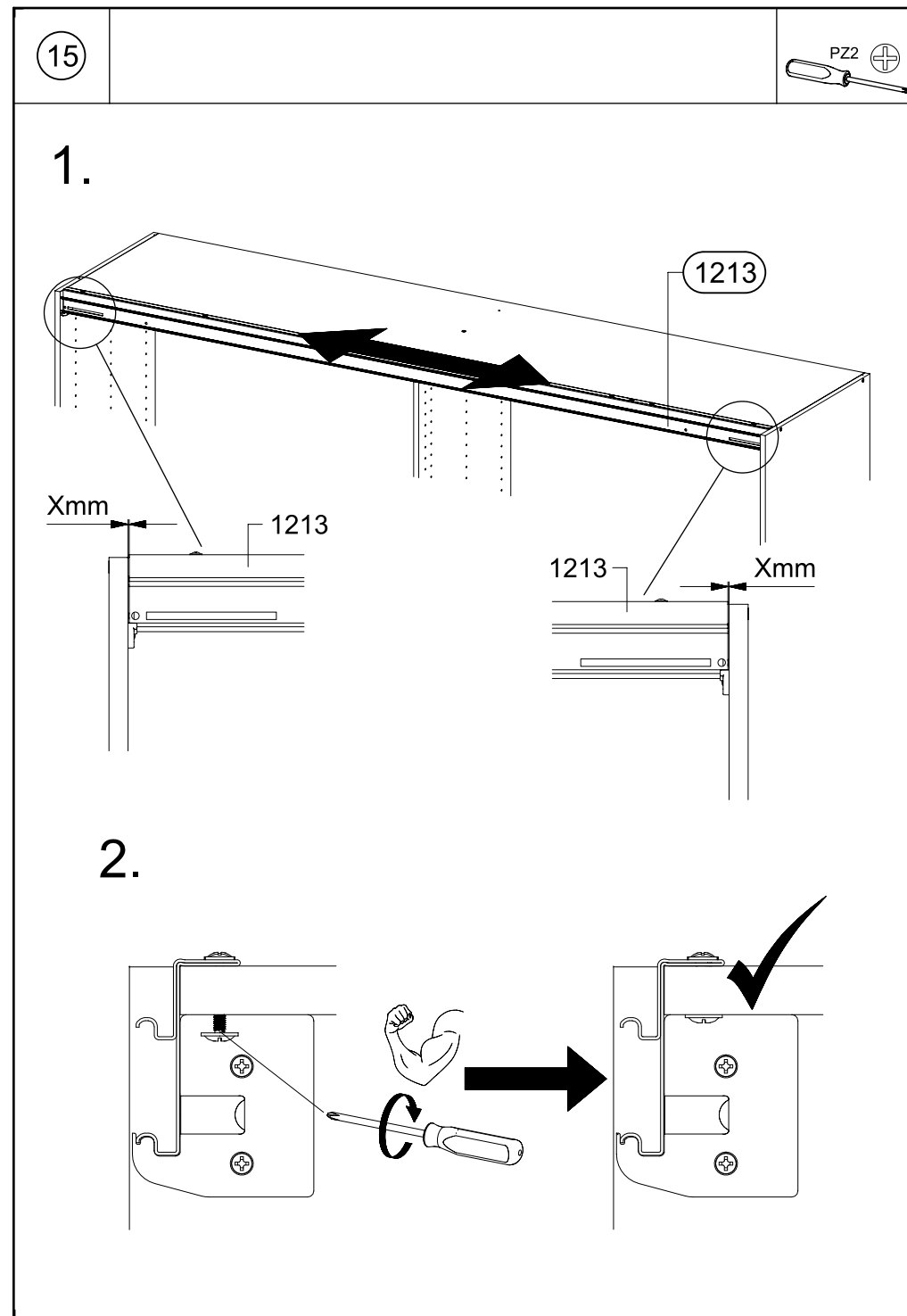
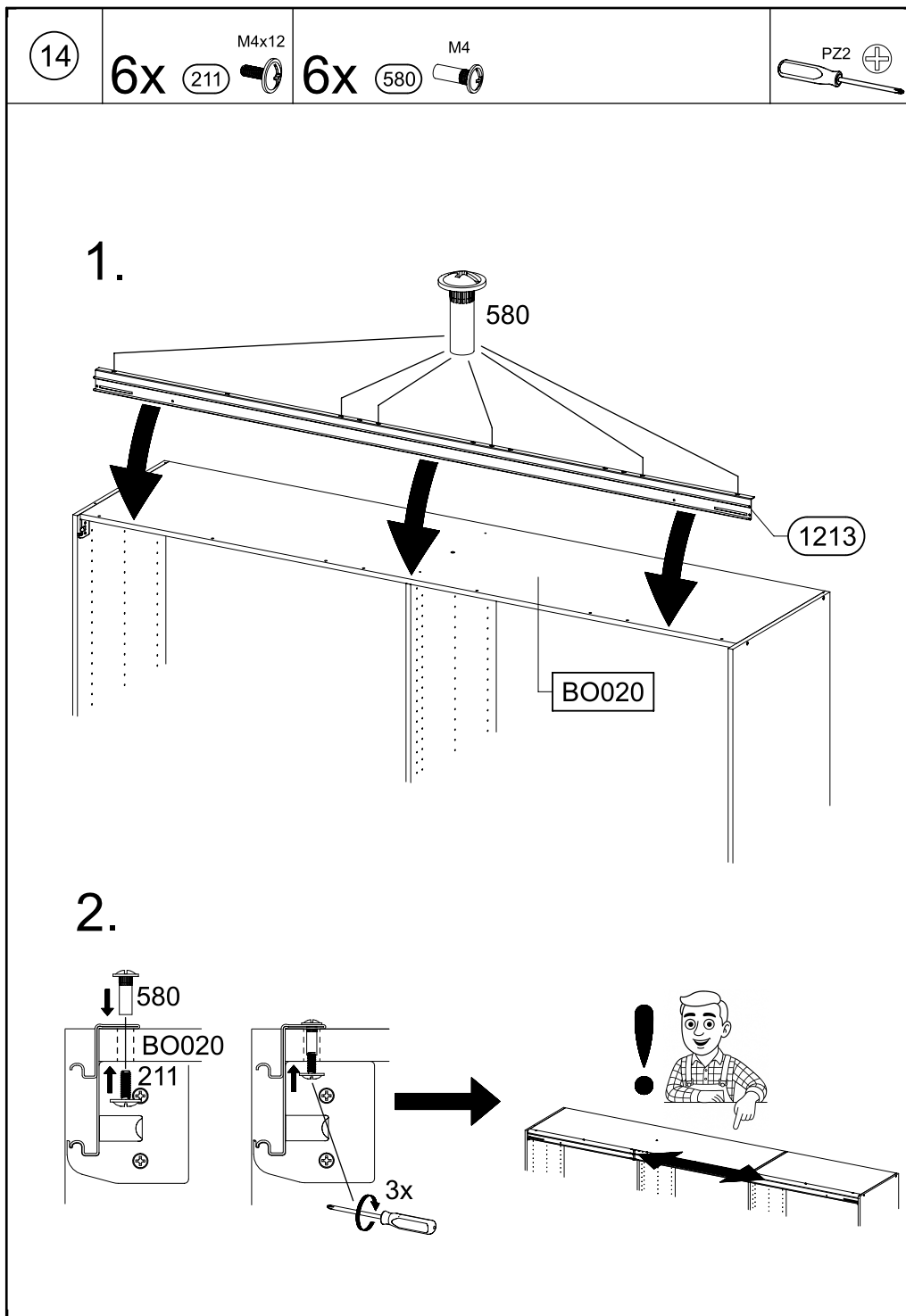


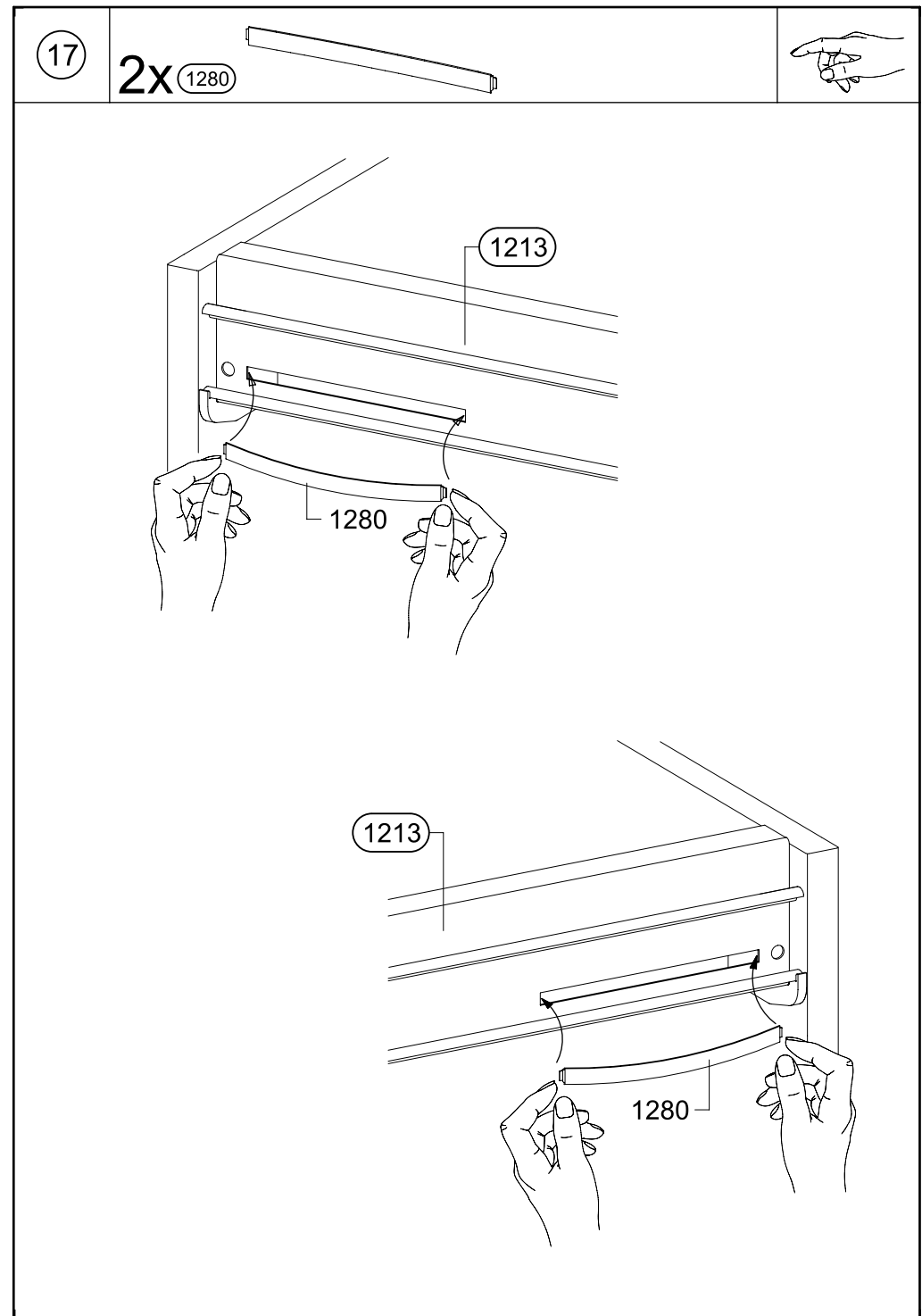
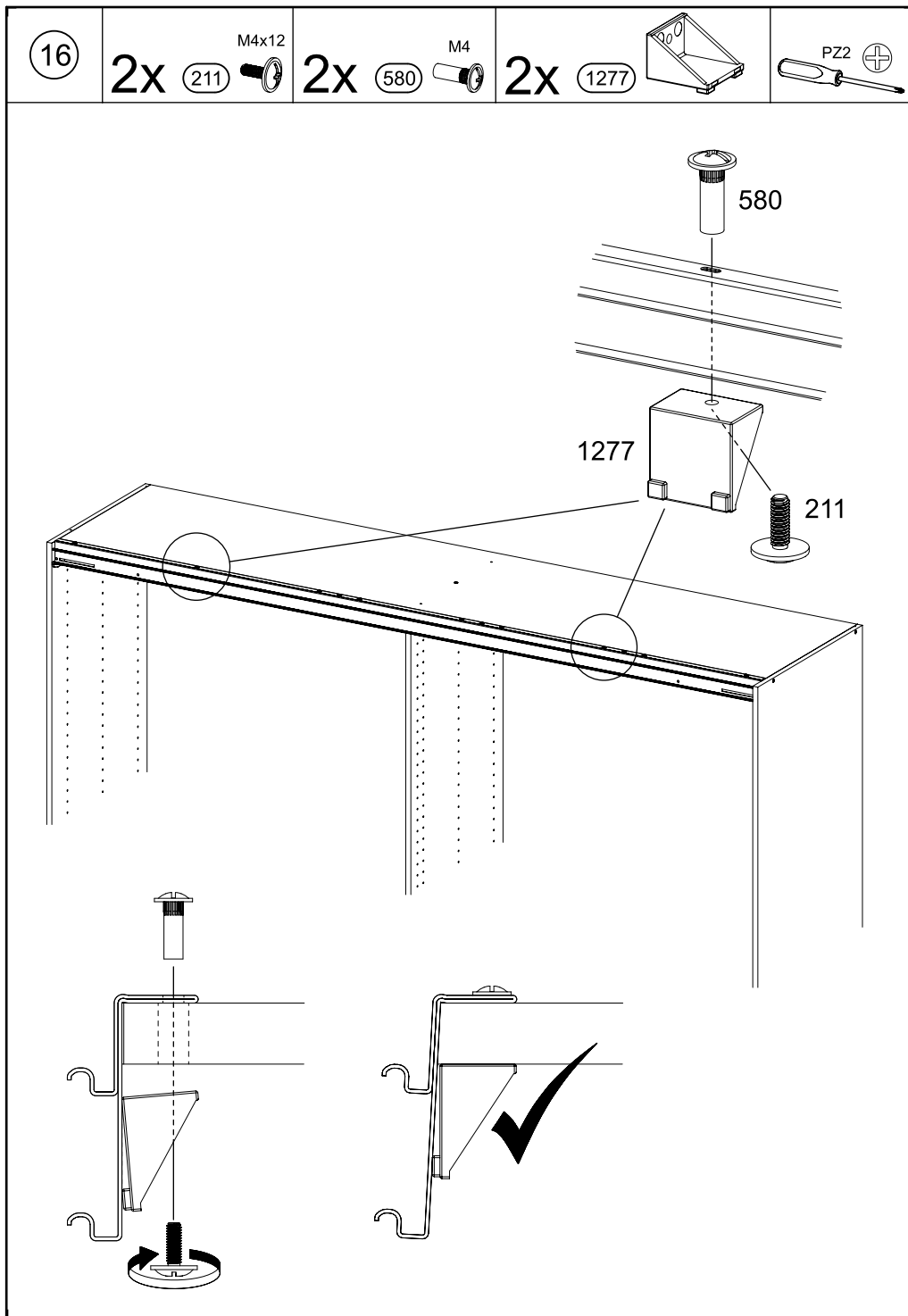
PZ2

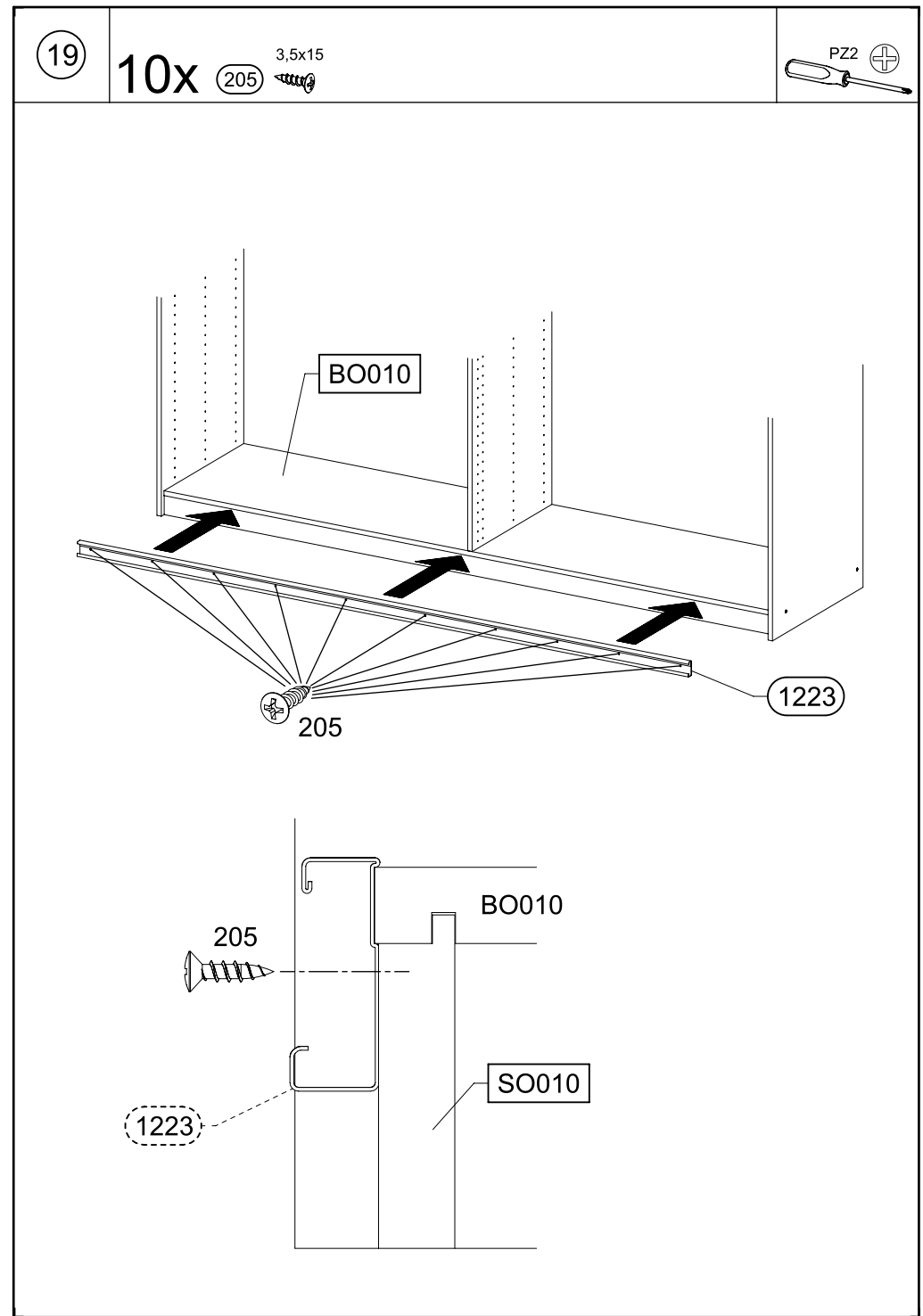
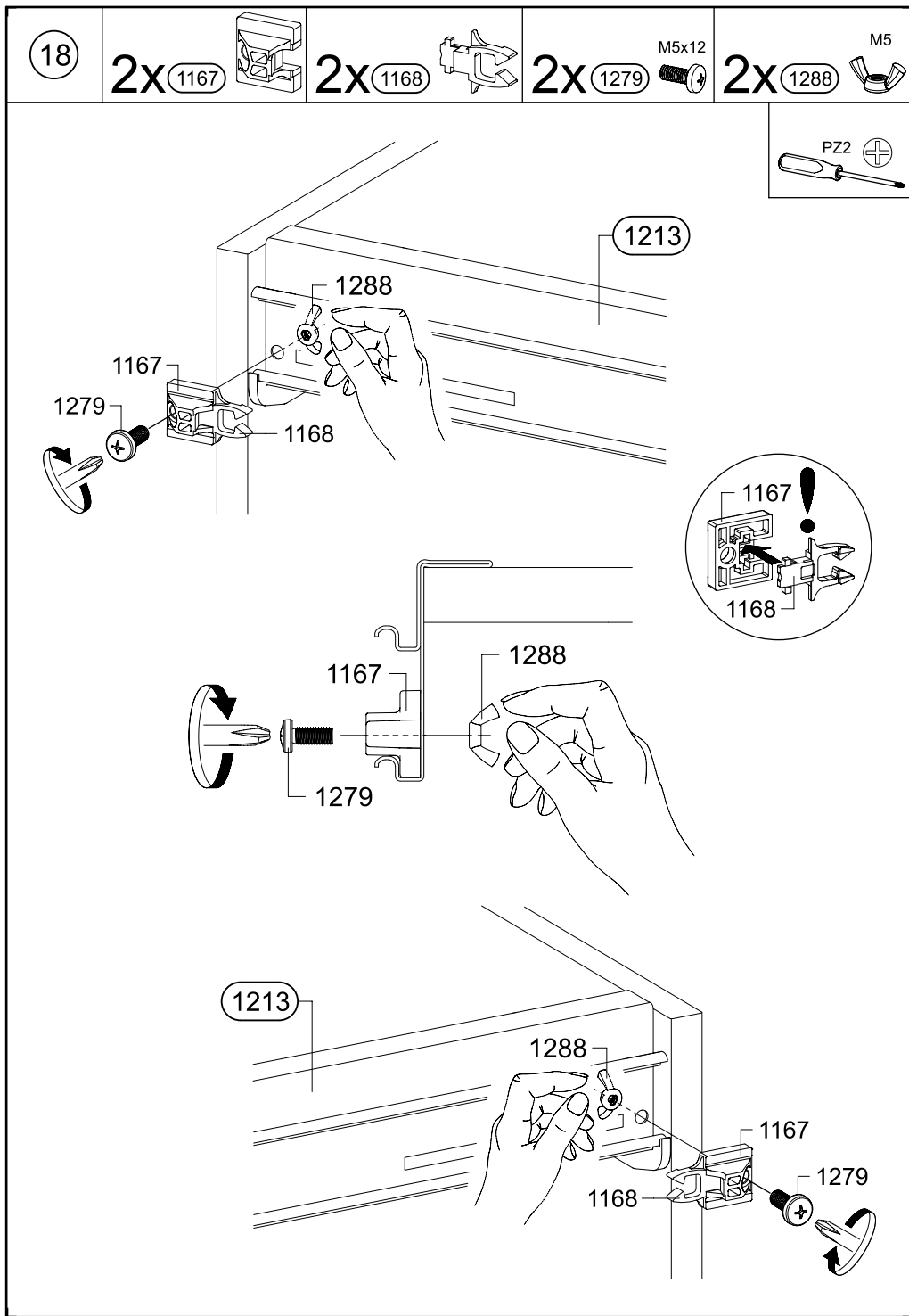


296









20

0-2x

12

55x16x6,2



4x

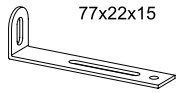
201

4x15



2x

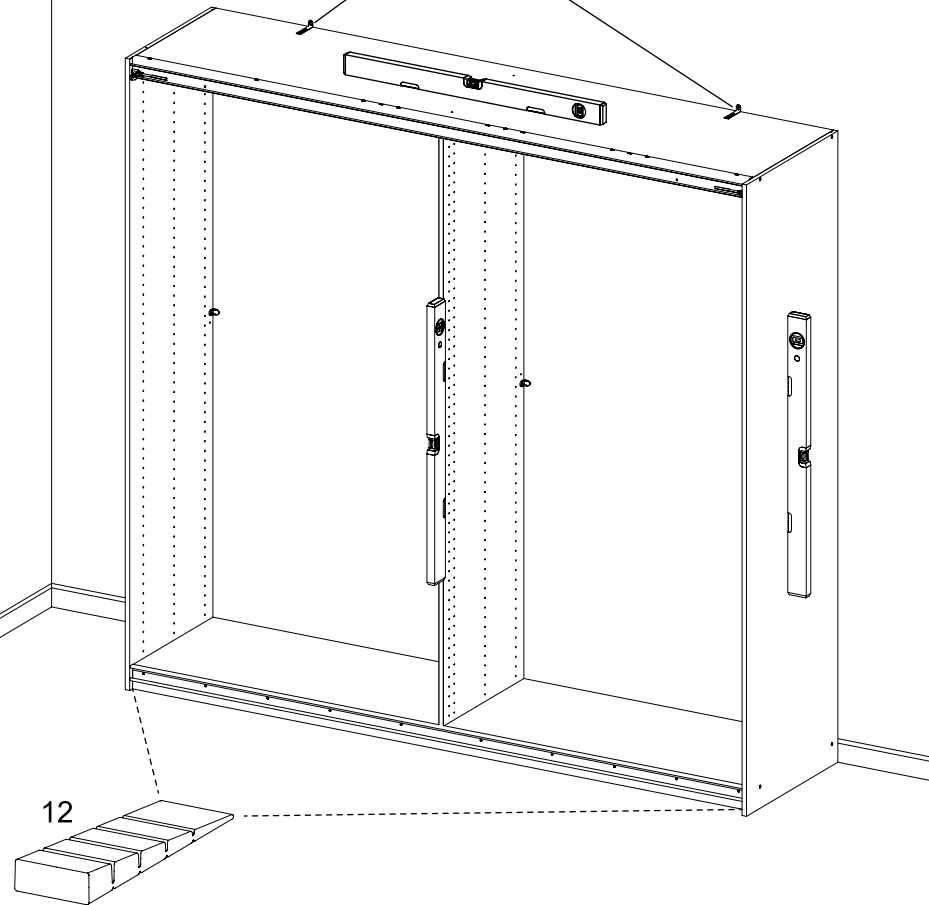
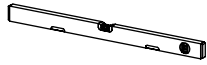
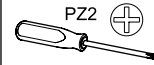
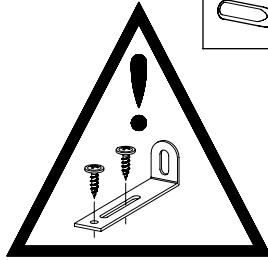
68



77x22x15



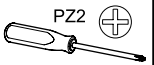
SCAN ME



21

8x

45



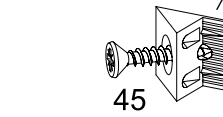
SE010

MS010

SE020



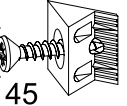
45



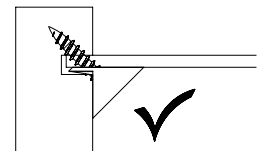
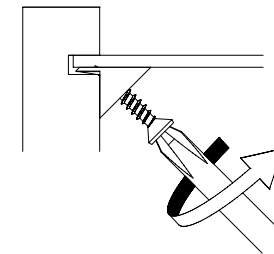
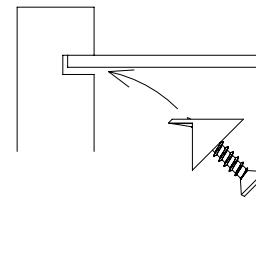
45




45



45



22

8x  271

