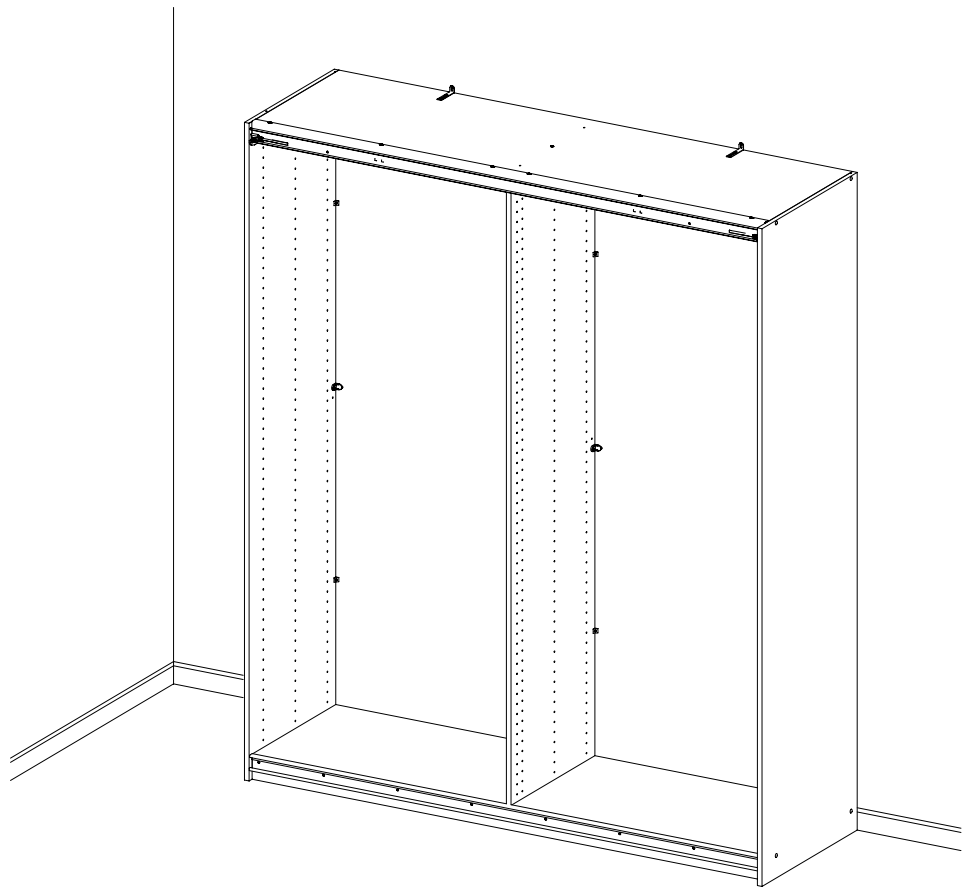
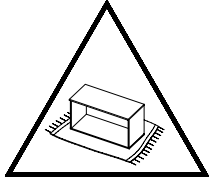
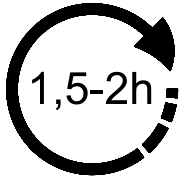
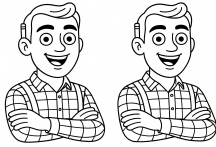
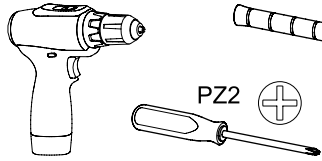
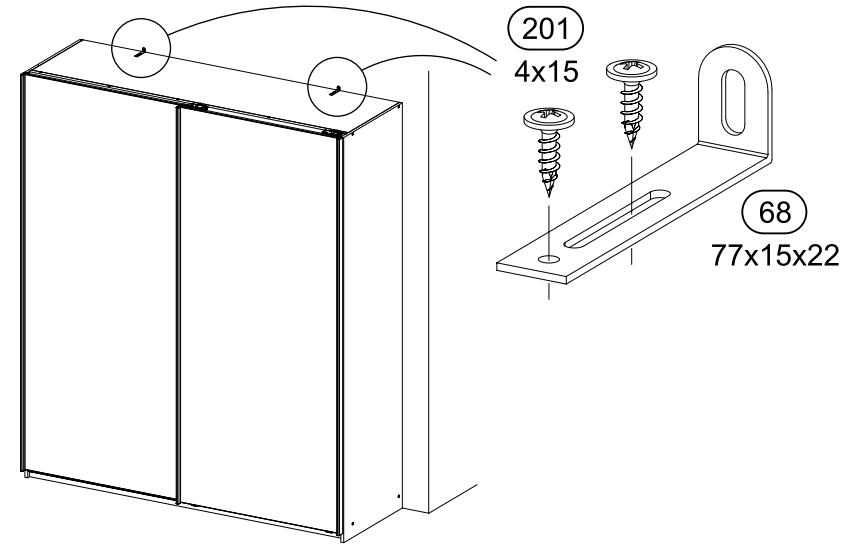
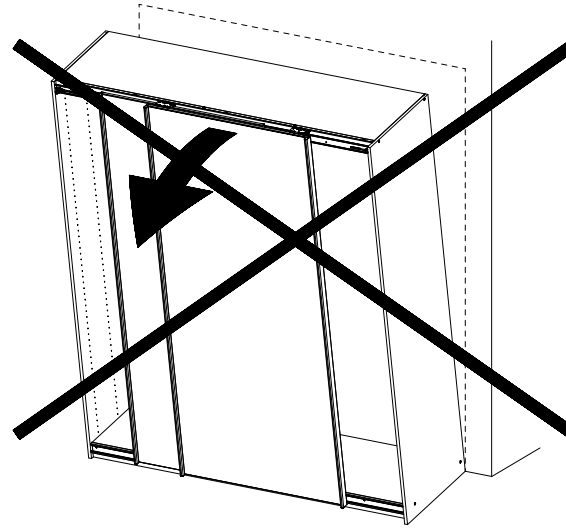


1.

M2574_06



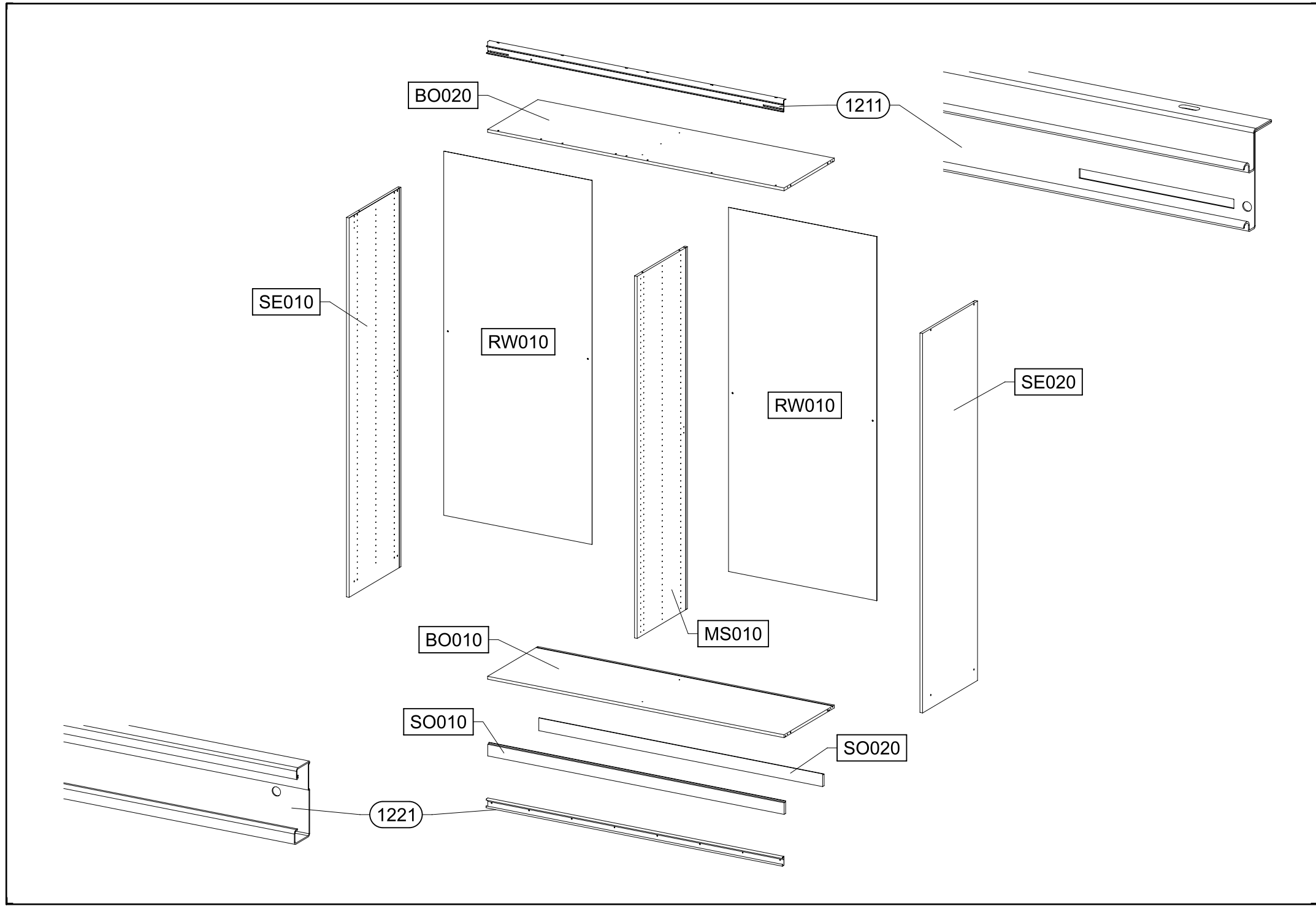
2.

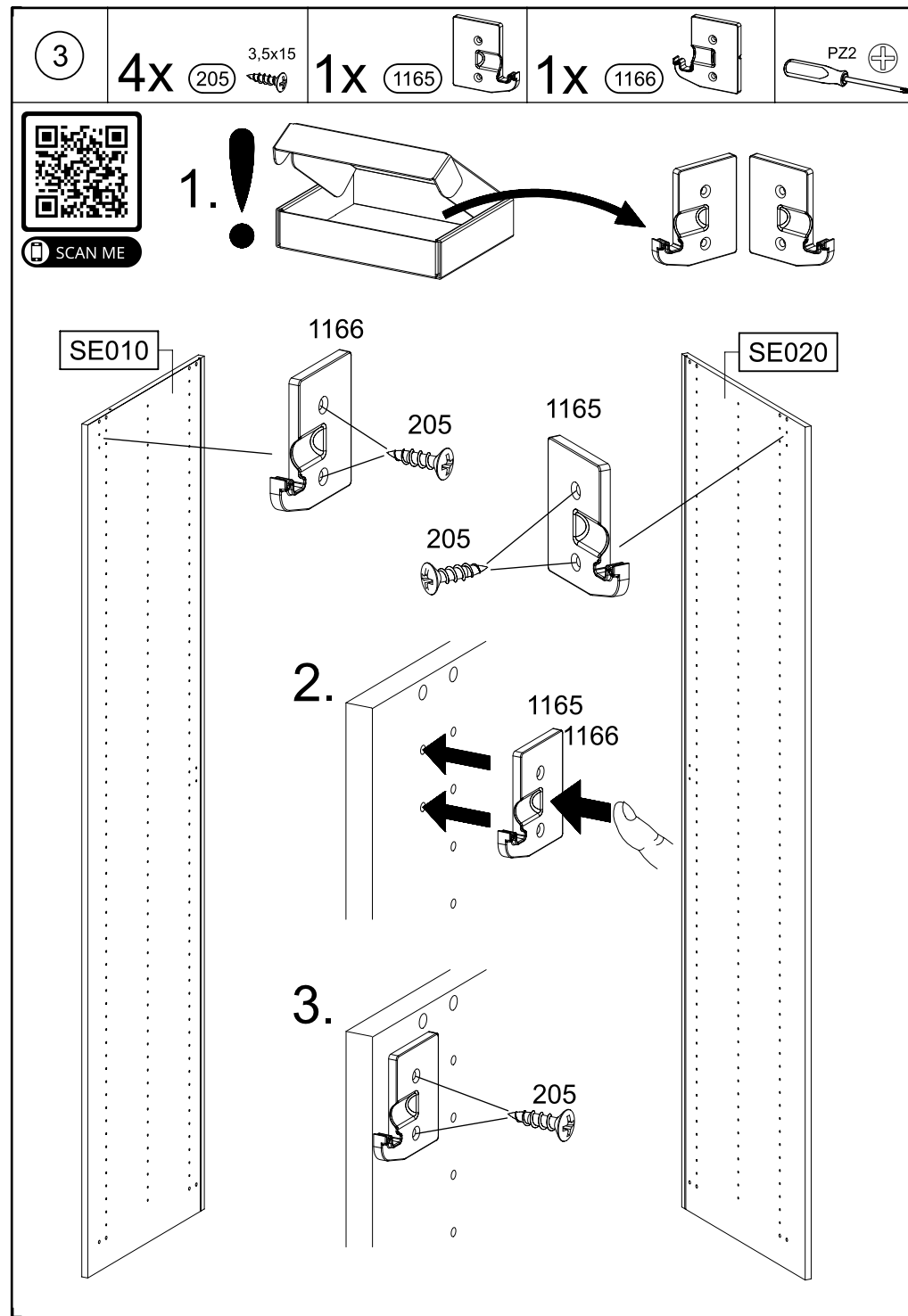
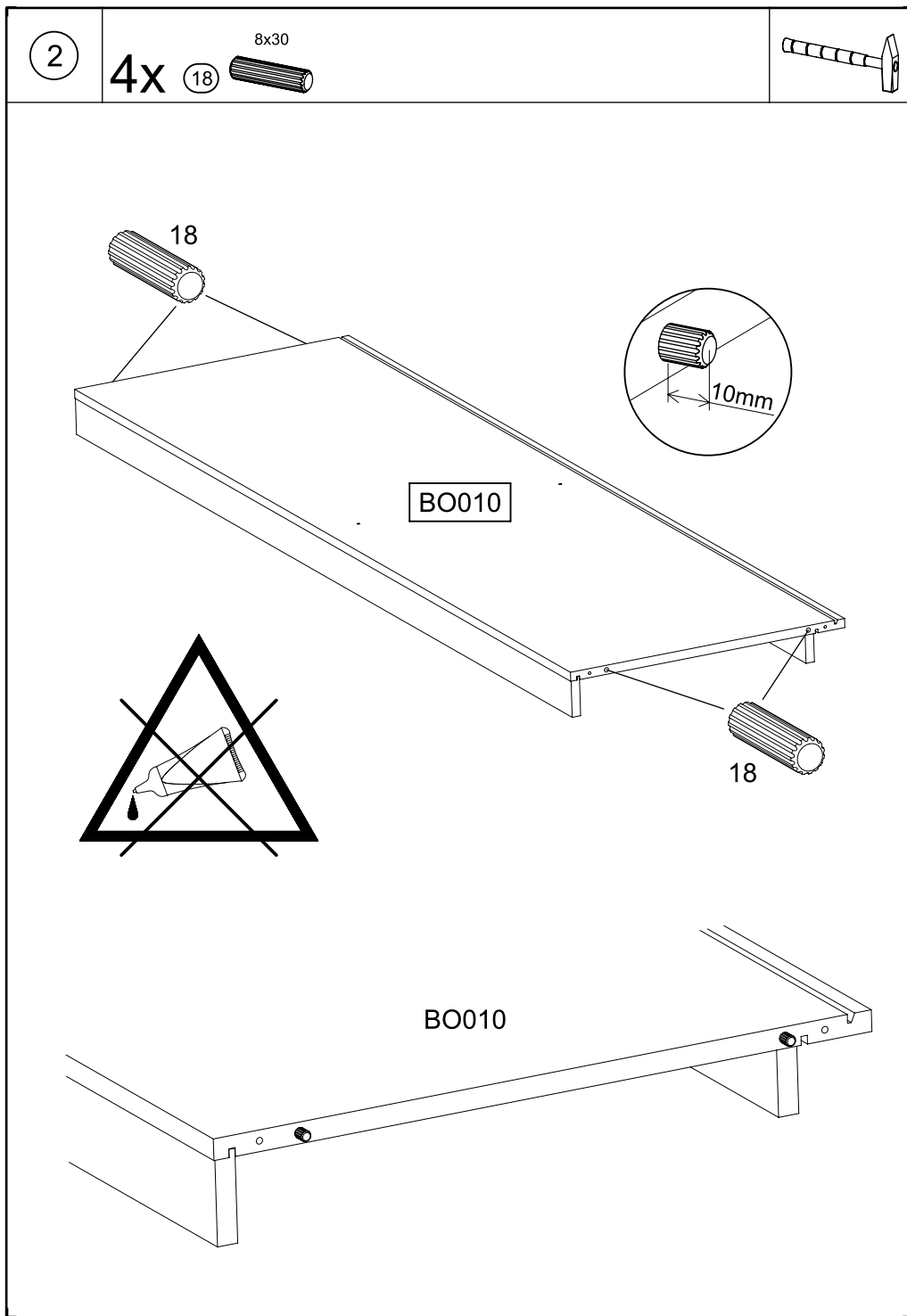


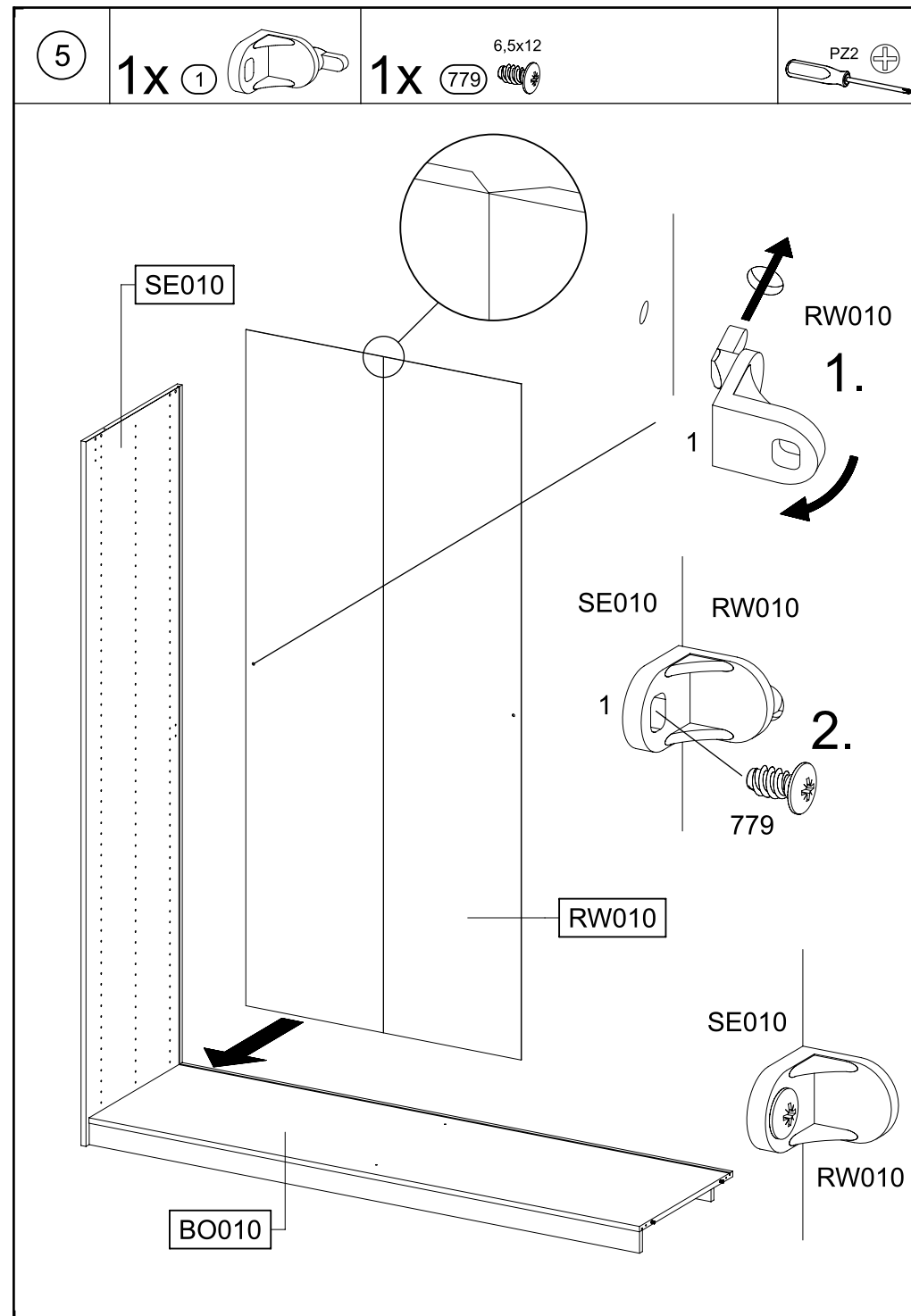
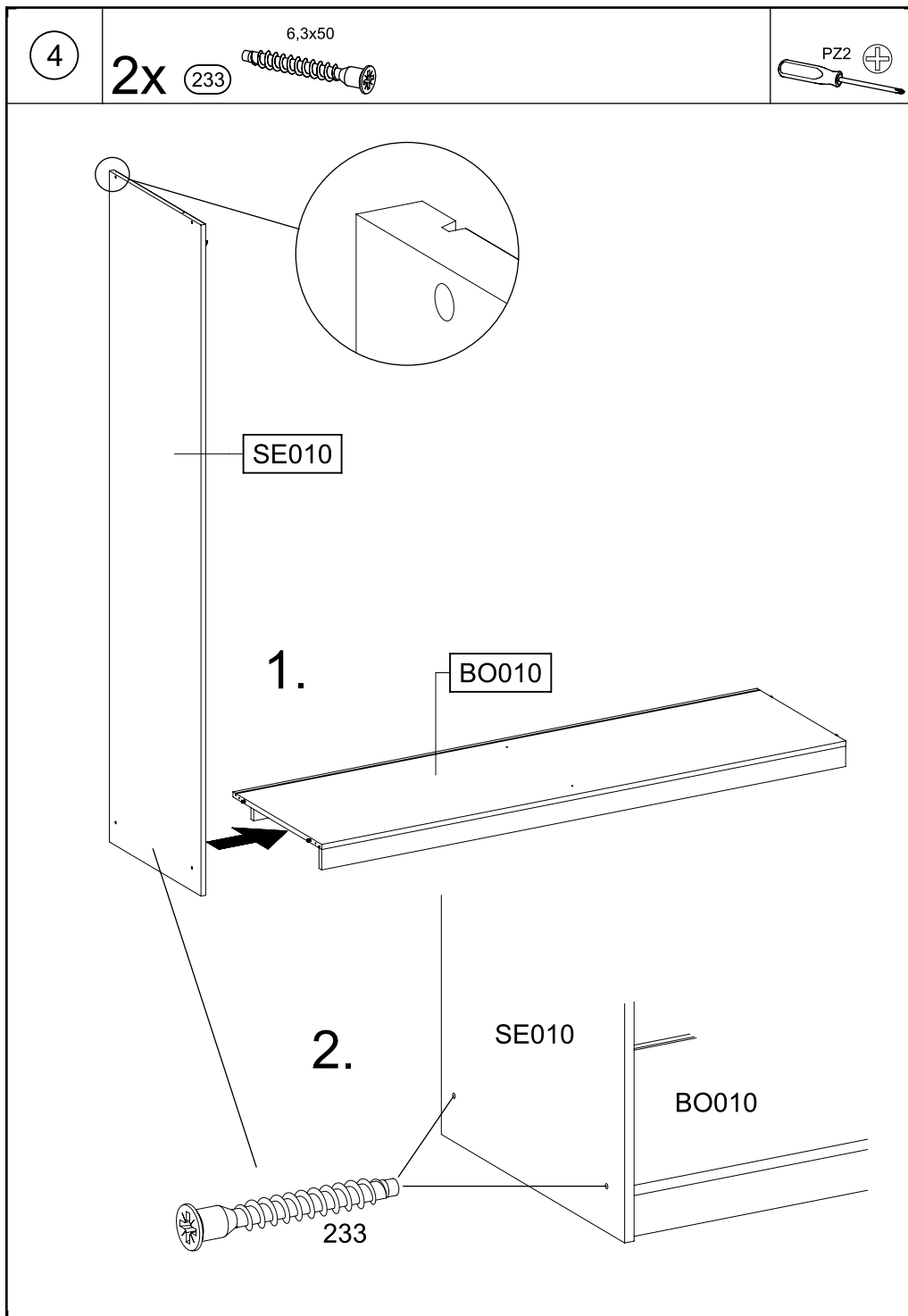
VIDEO

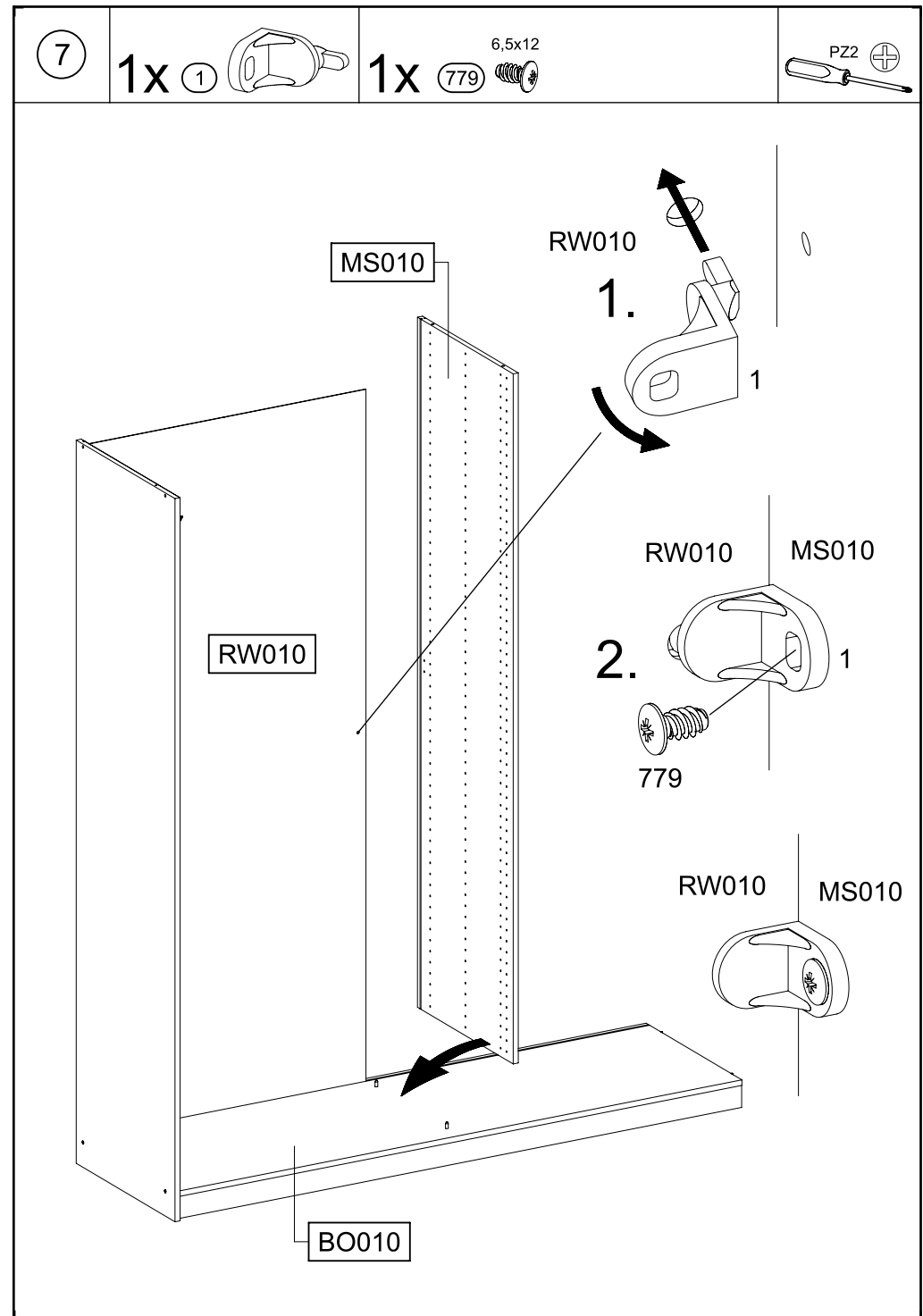
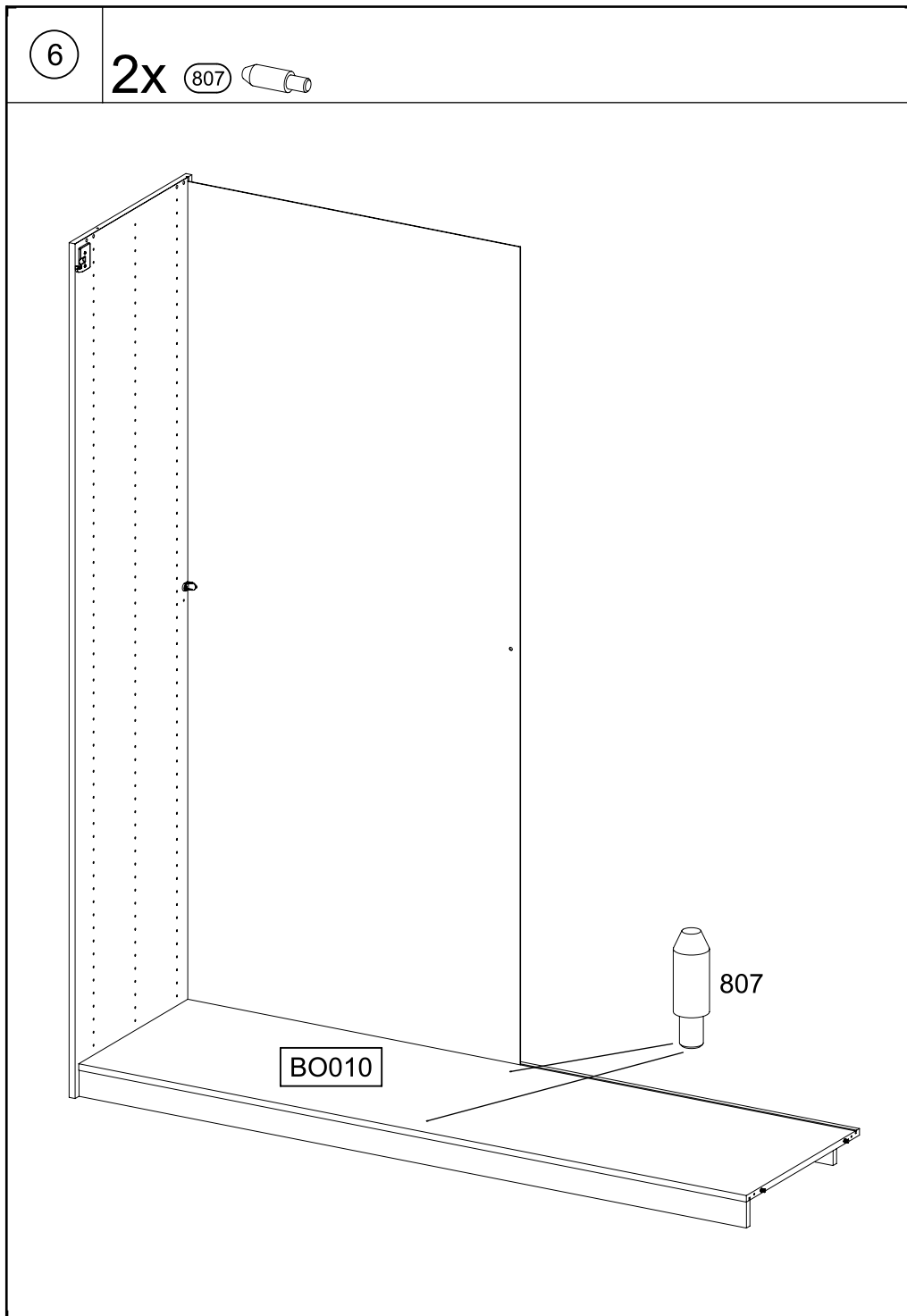


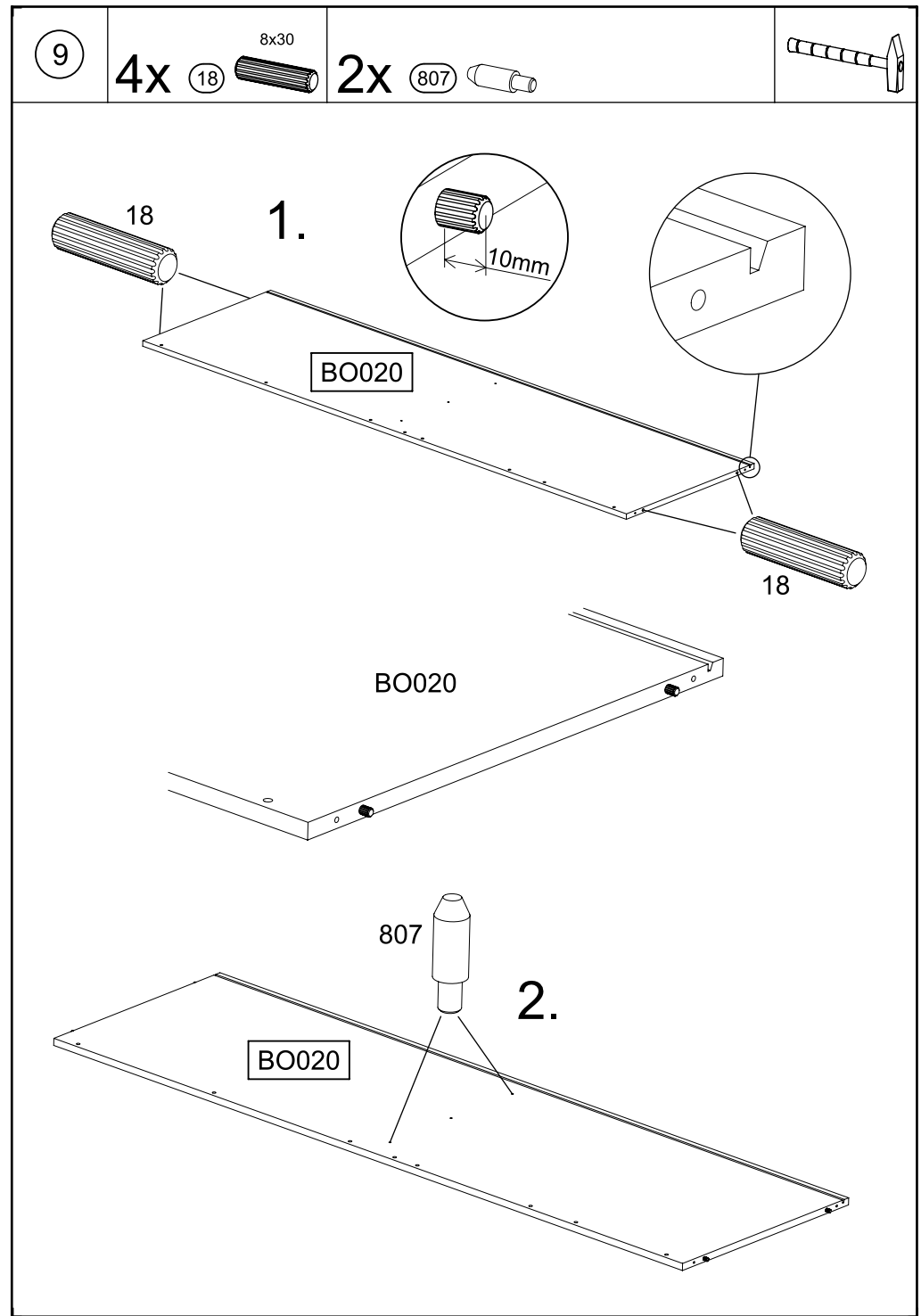
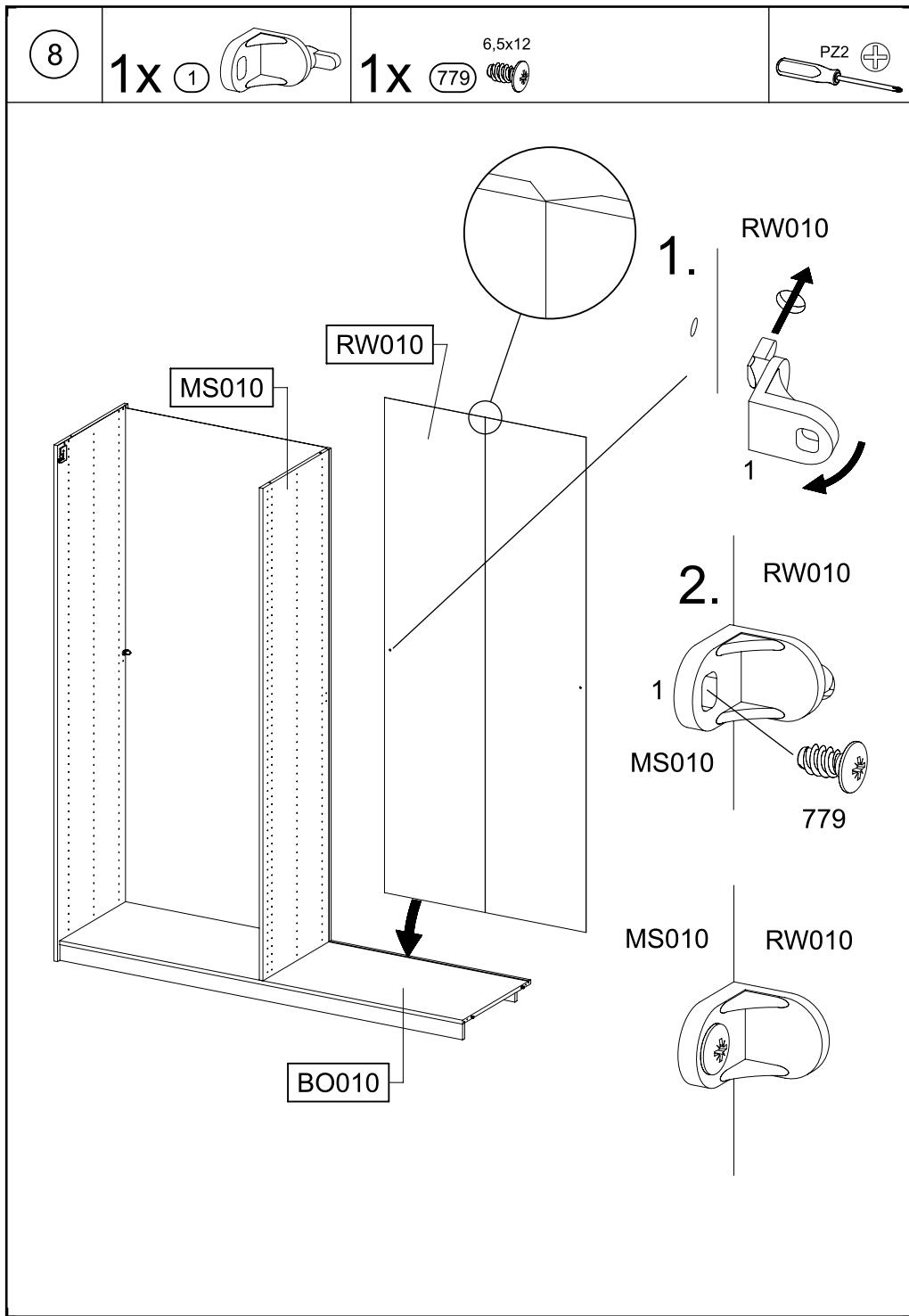
SCAN ME

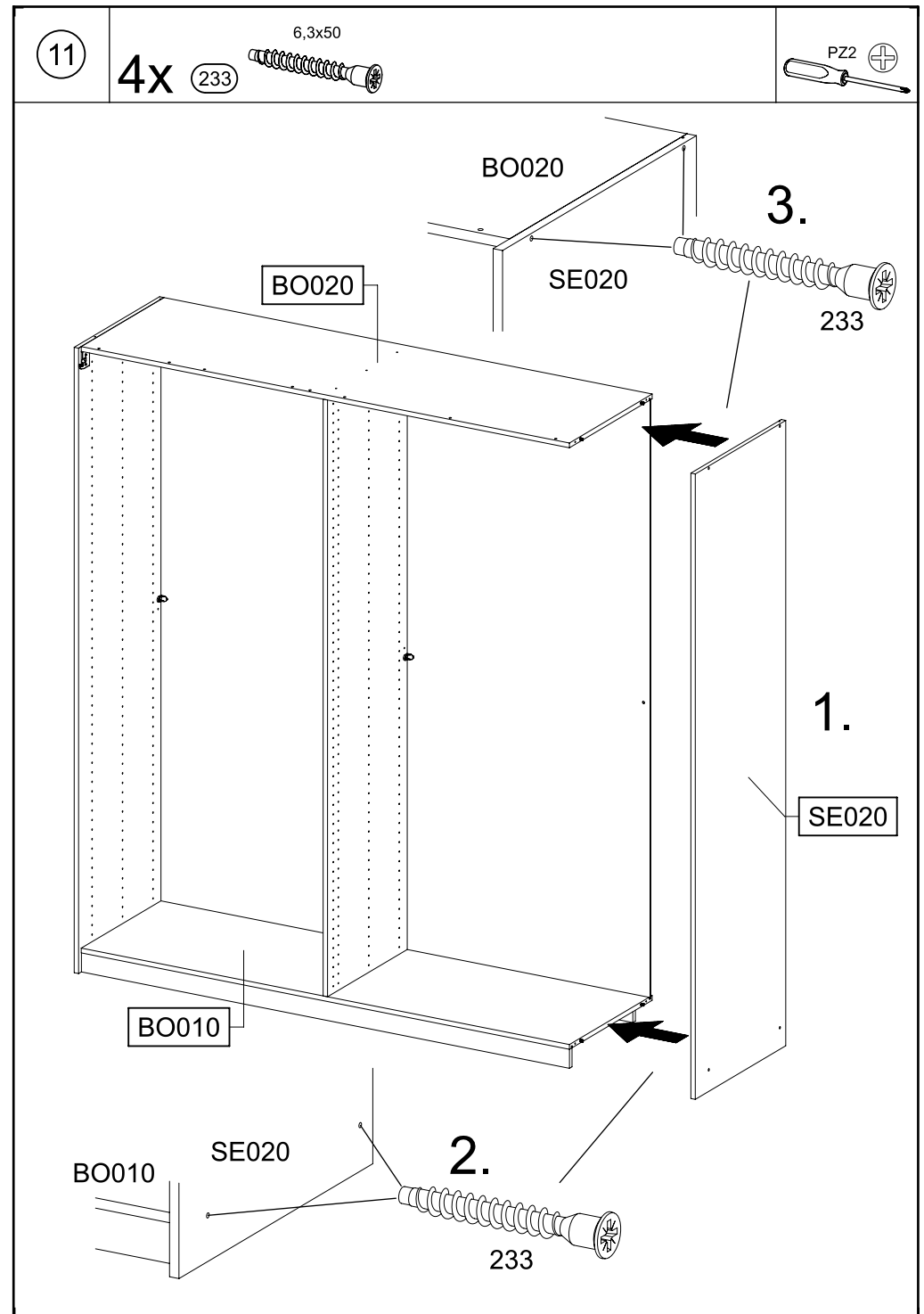
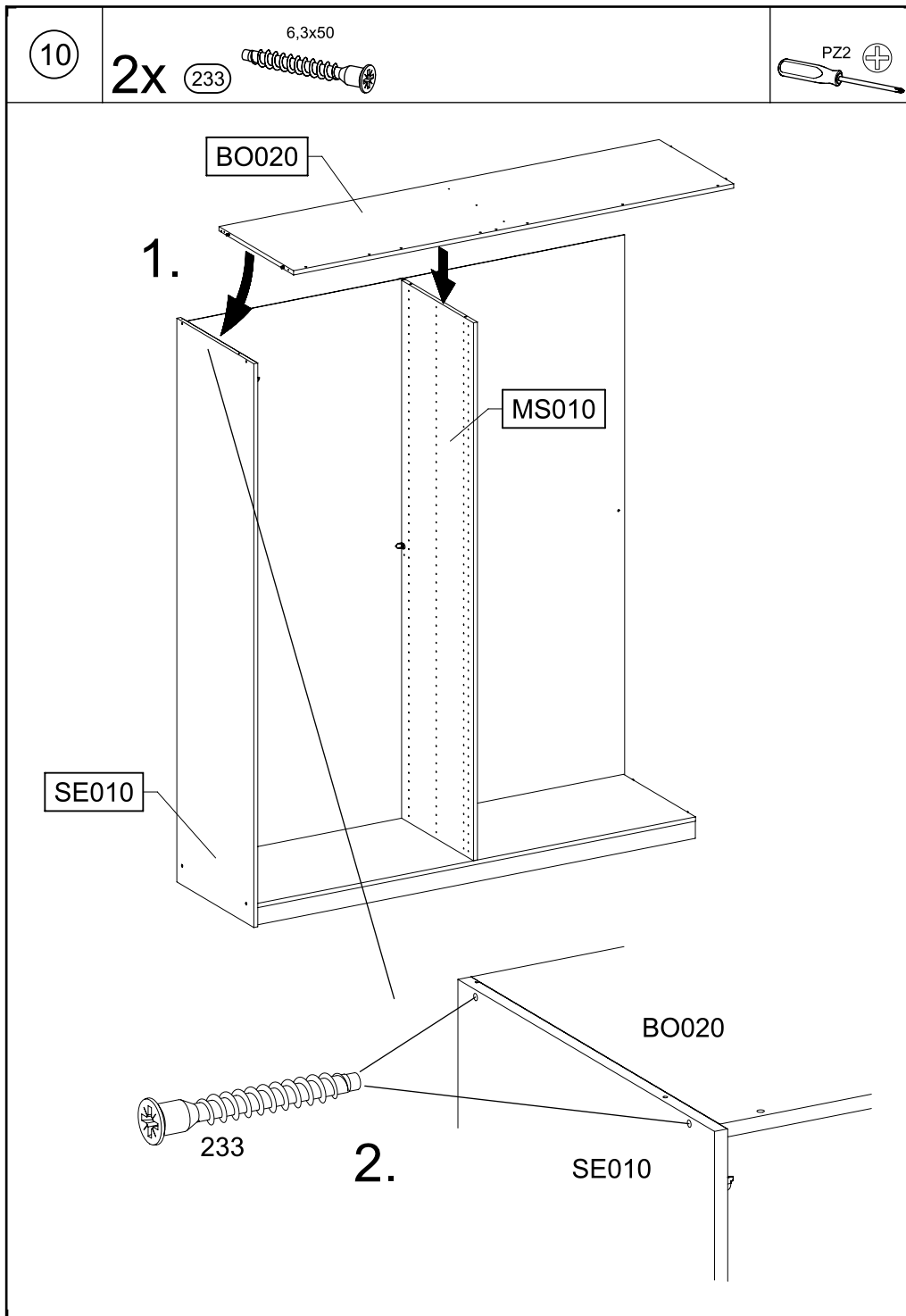


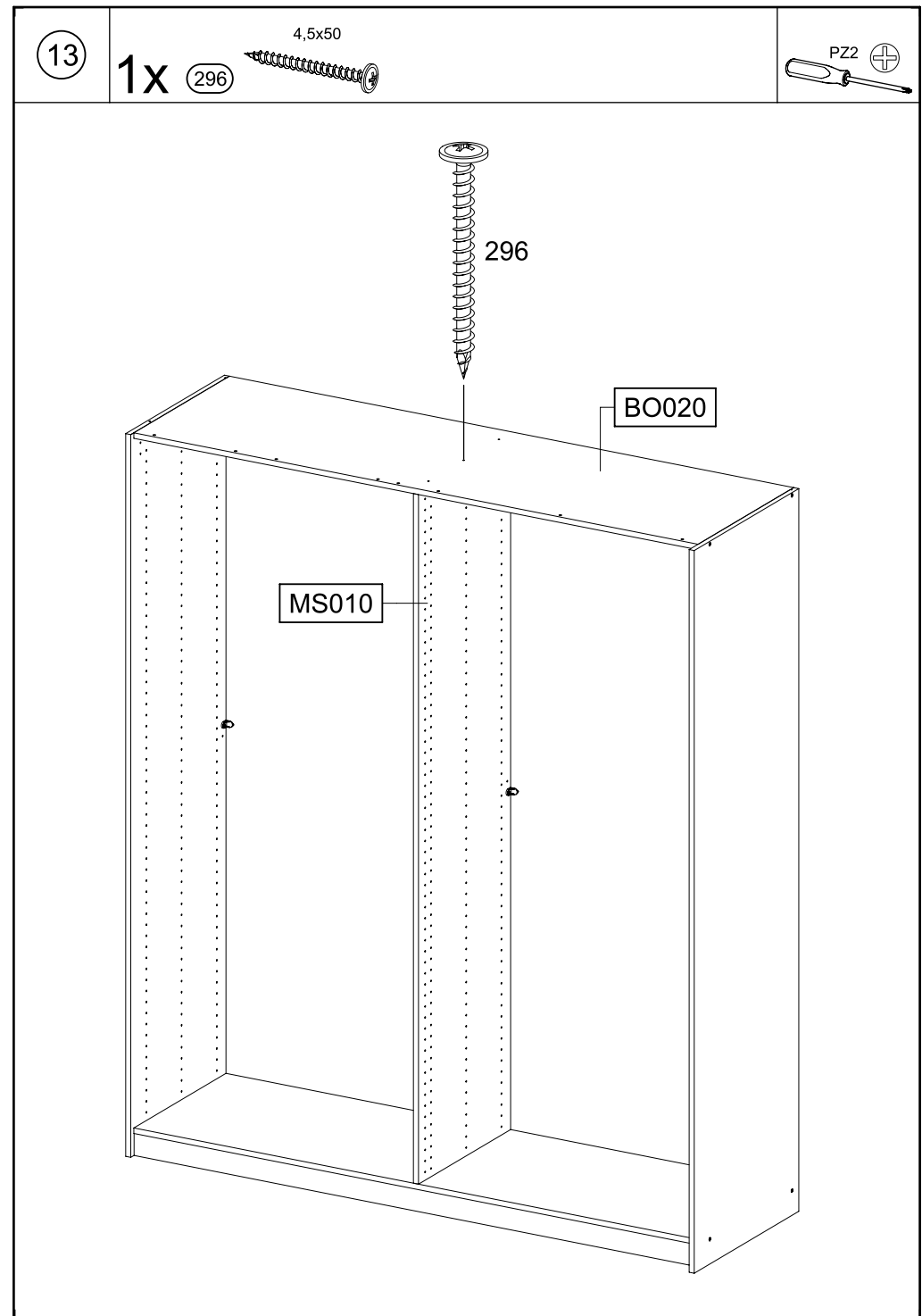
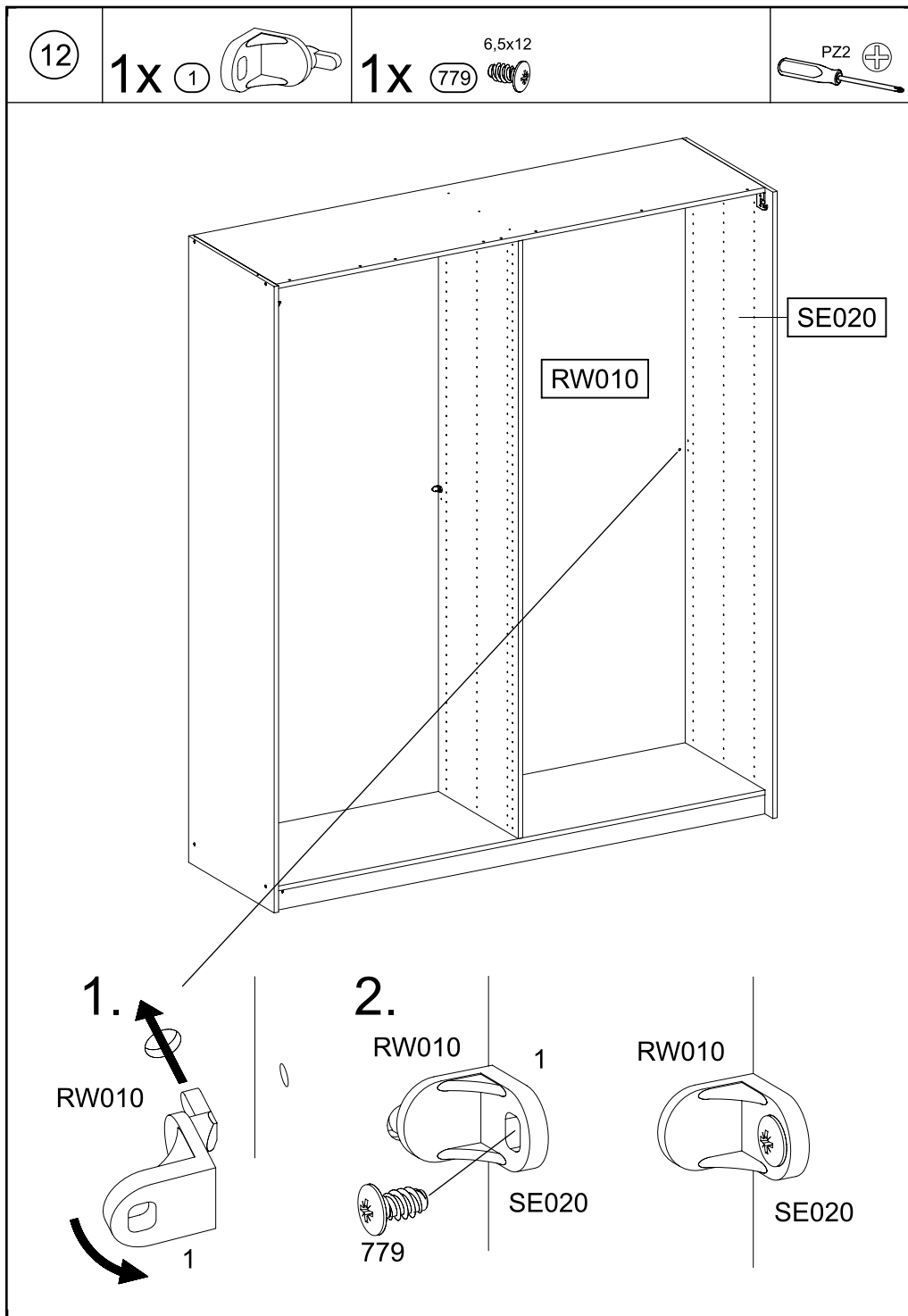






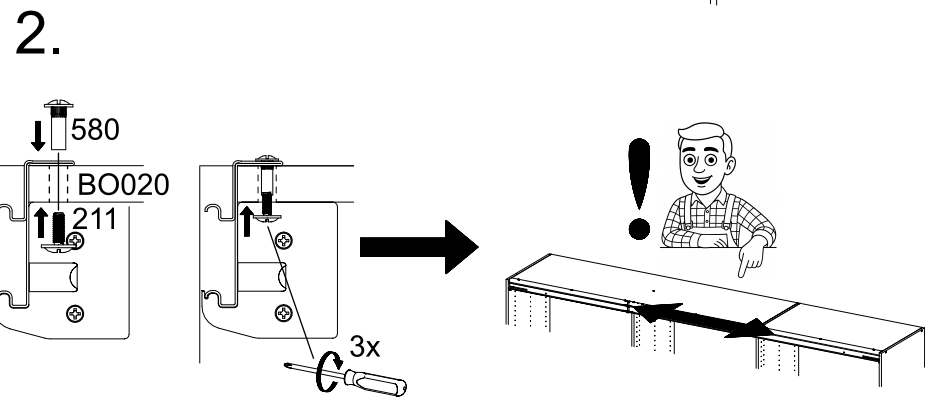
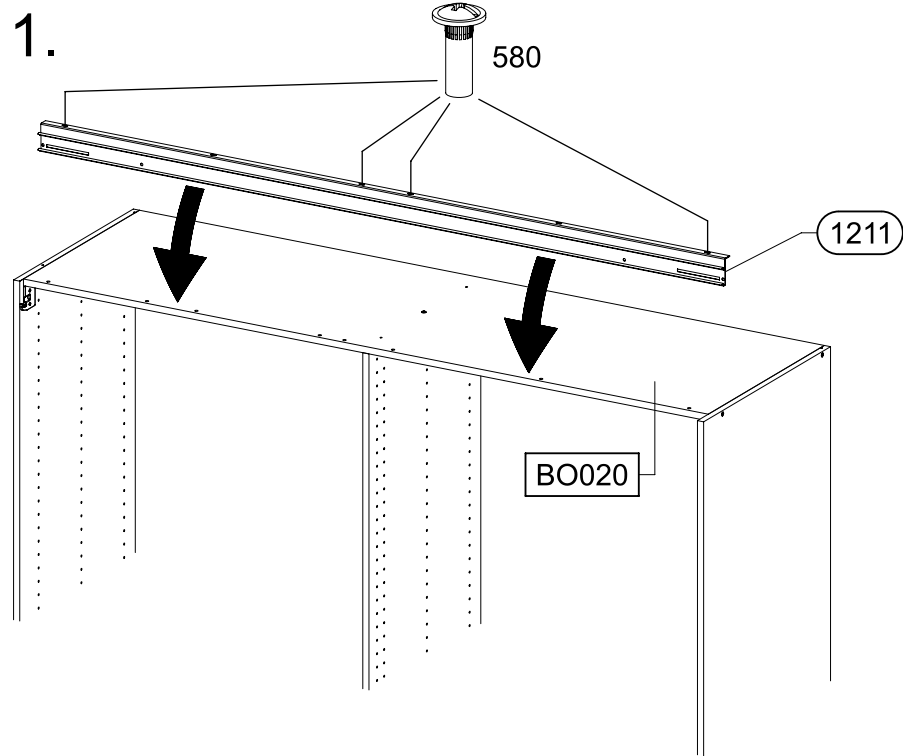
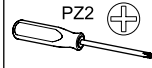




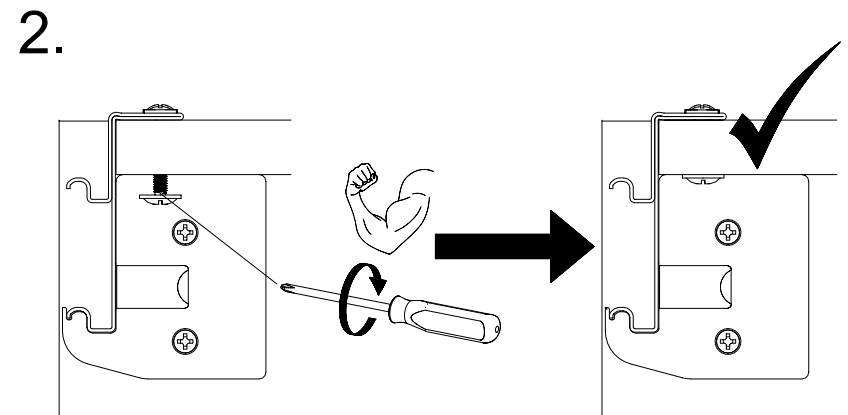
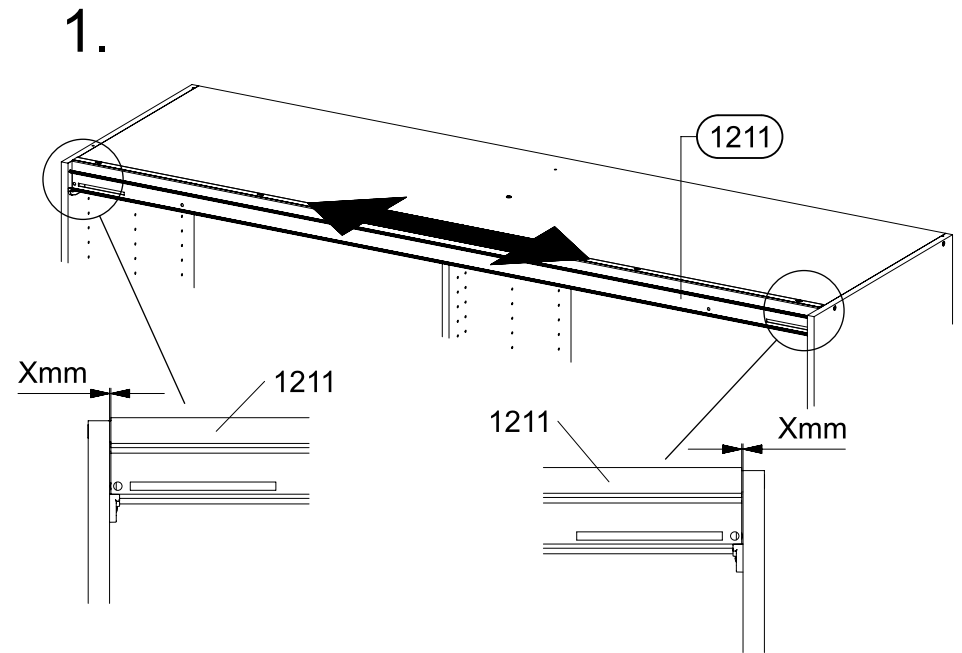
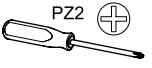


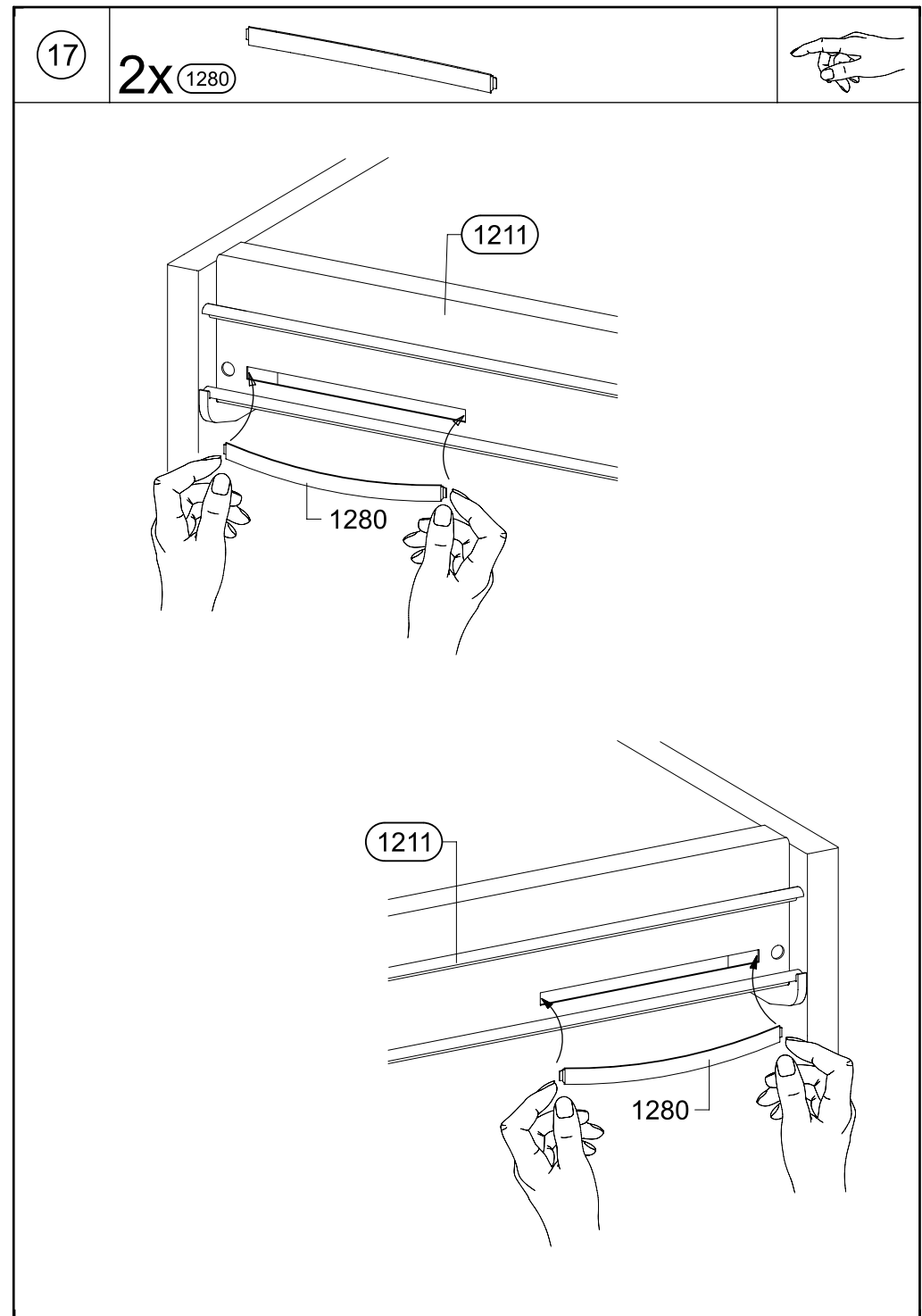
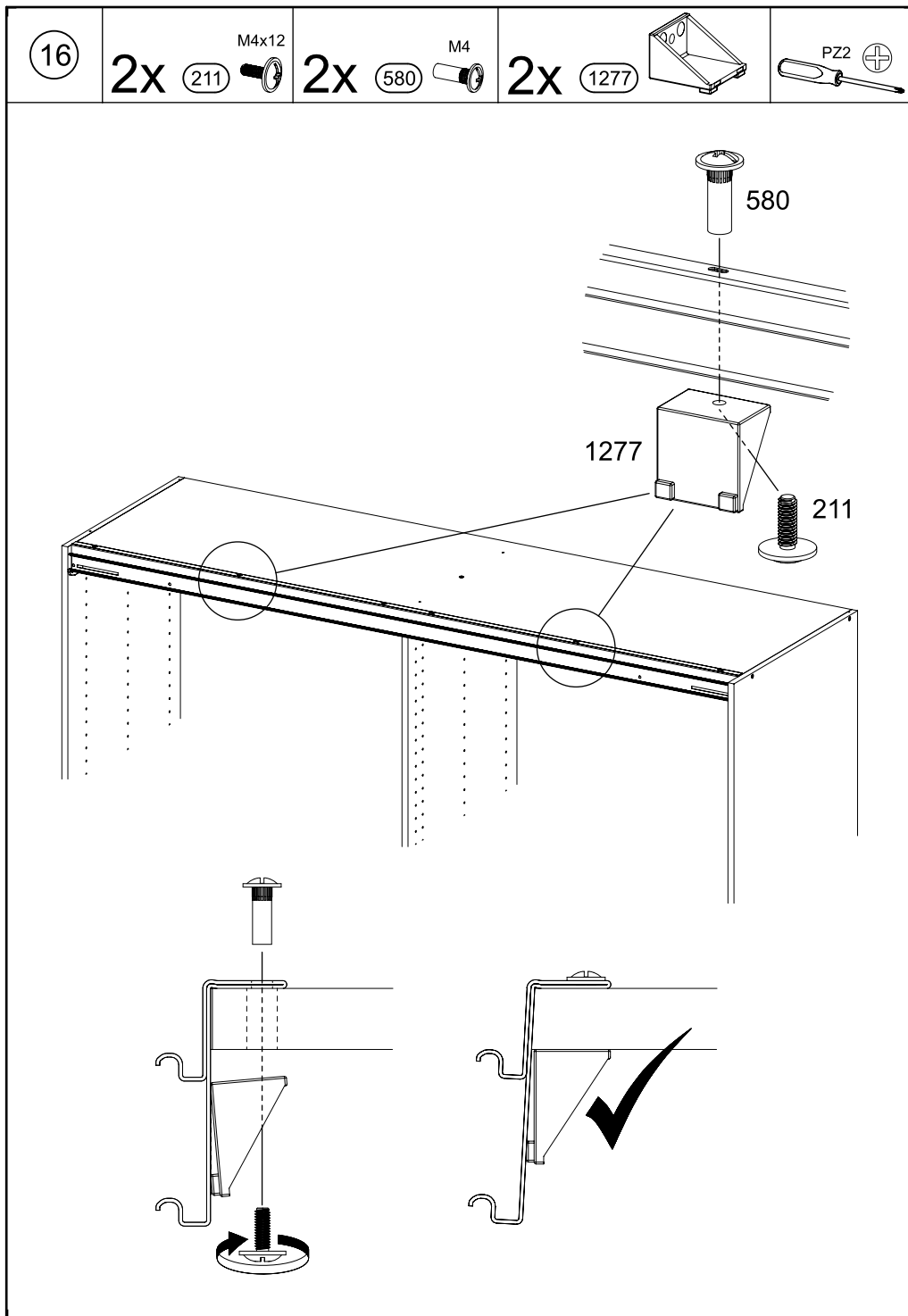
14

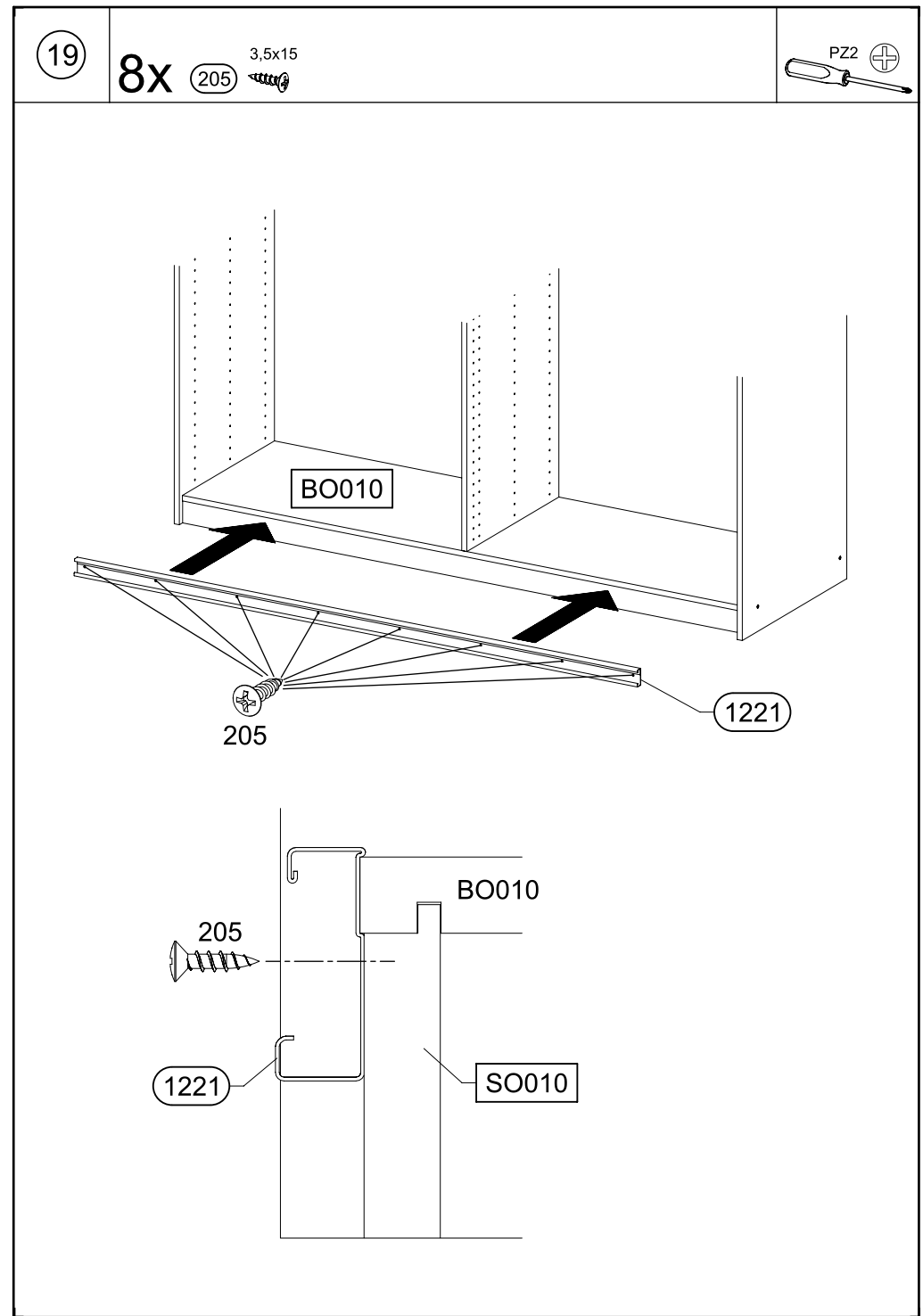
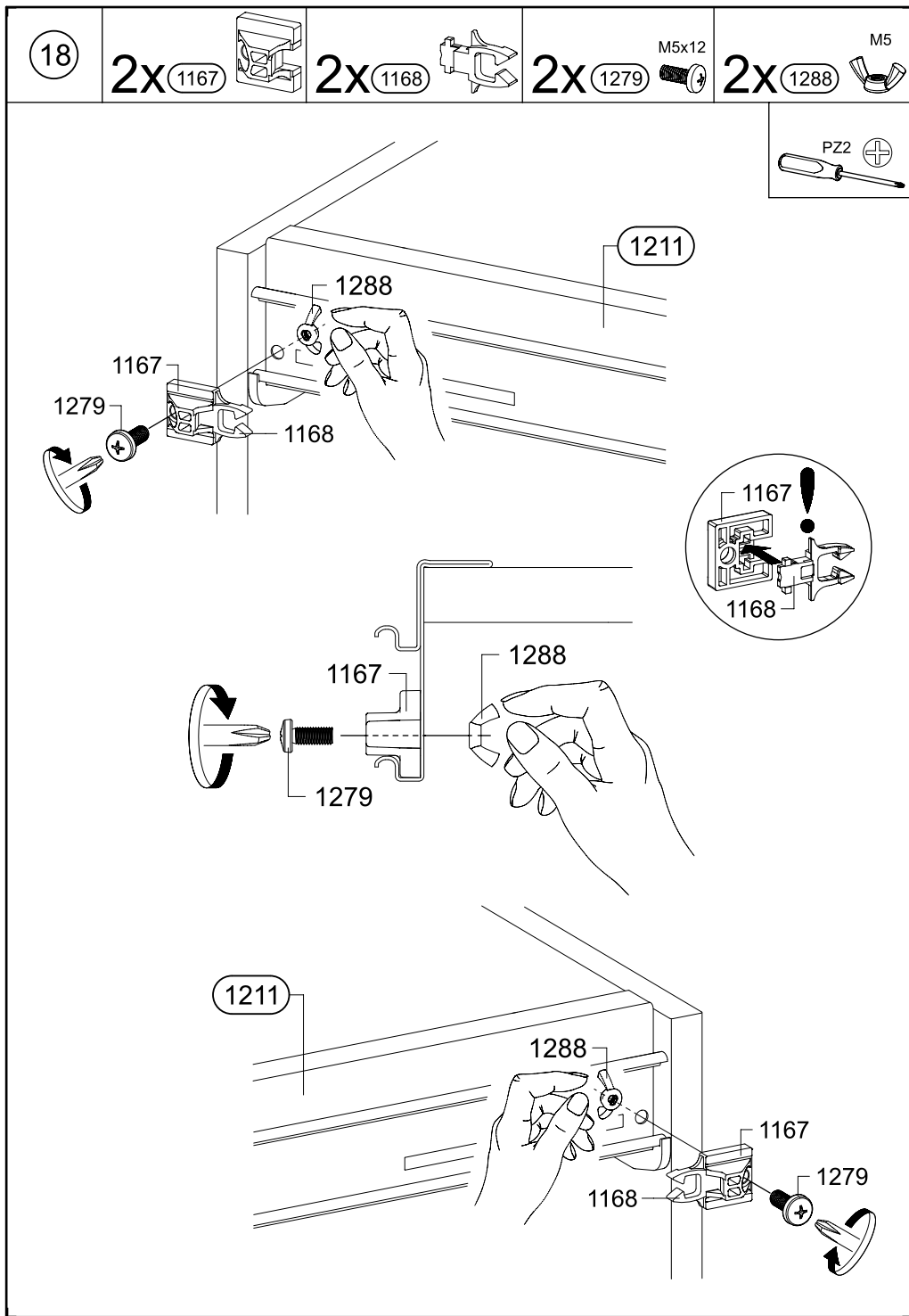
4x 211 M4x12 4x 580 M4



15





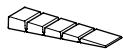


20

0-2x

12

55x16x6,2



4x

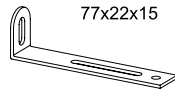
201

4x15



2x

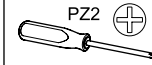
68



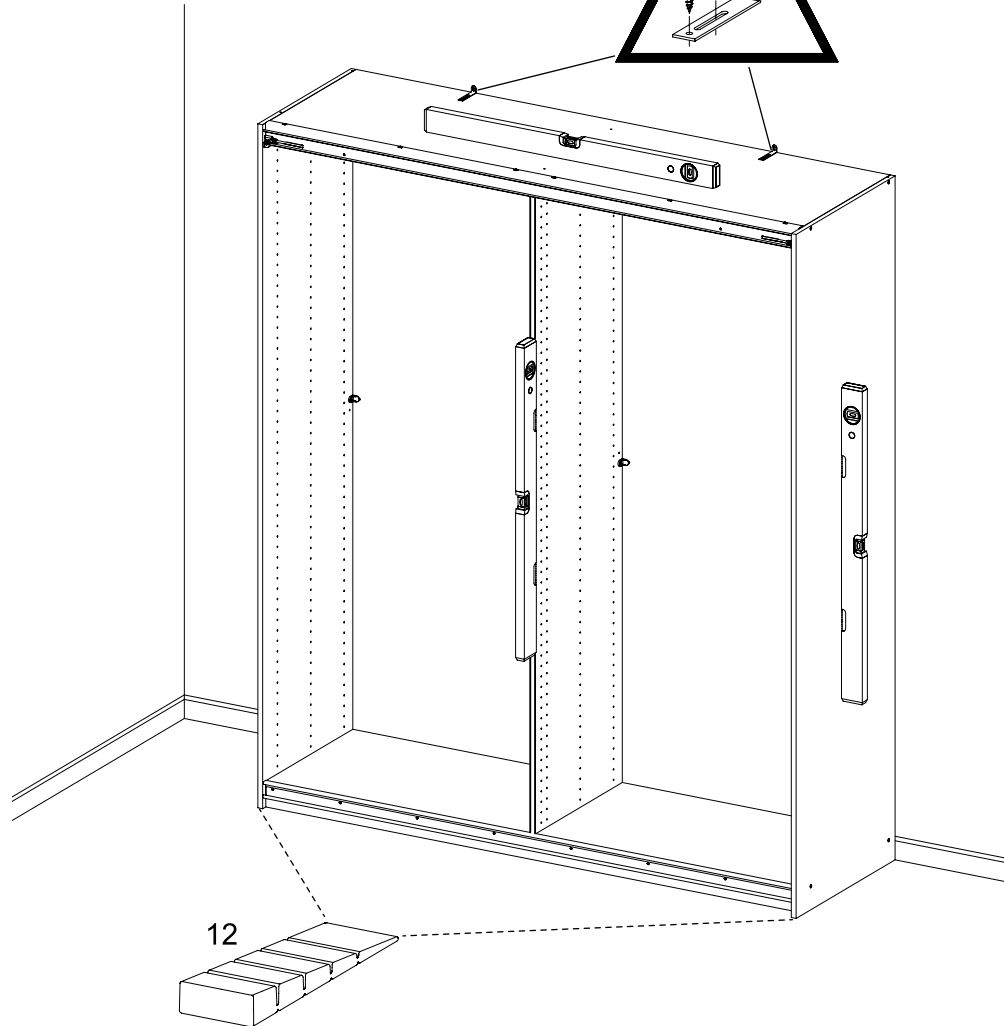
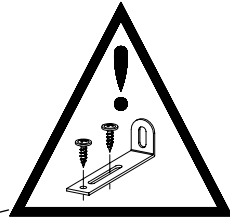
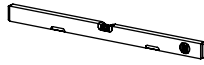
77x22x15



SCAN ME



PZ2

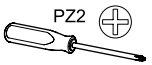


12

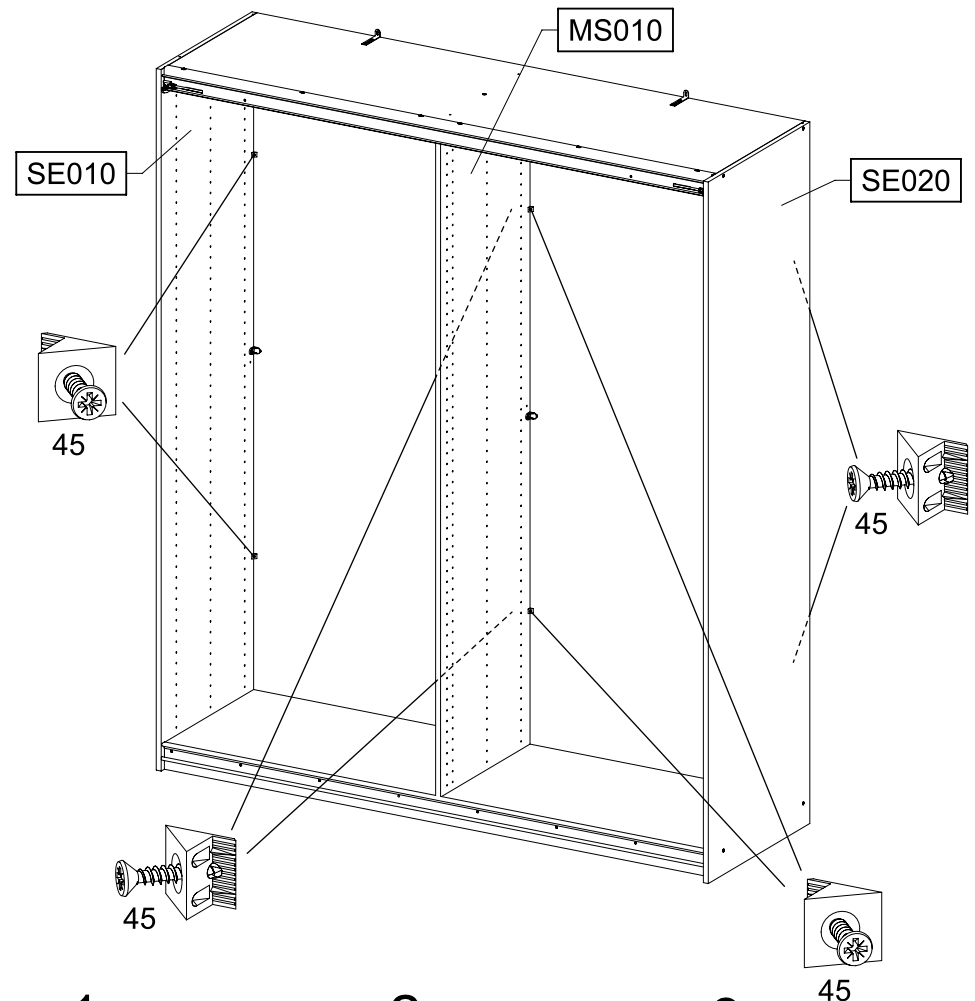
21

8x

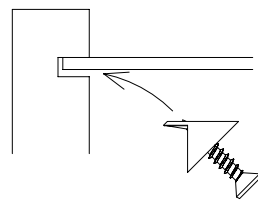
45



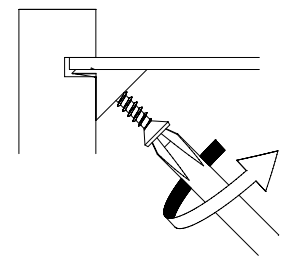
PZ2



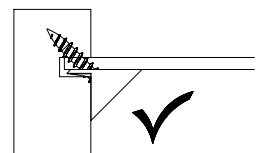
1.



2.



3.



22

8x 