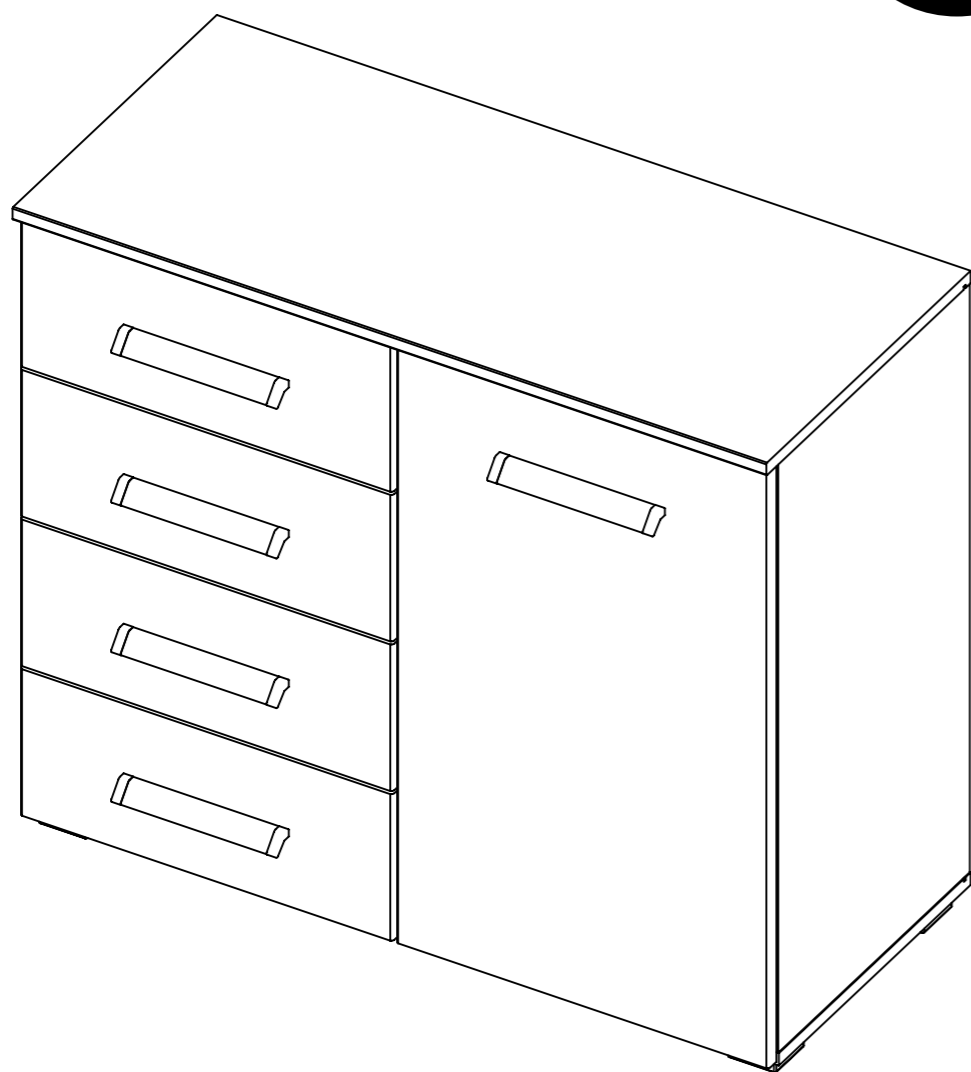
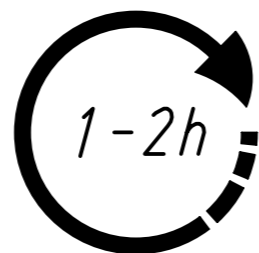
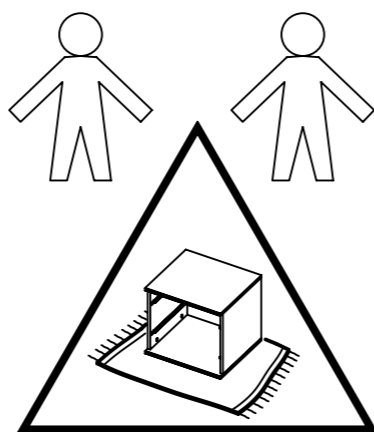
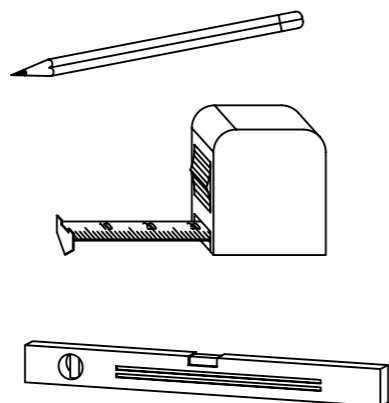
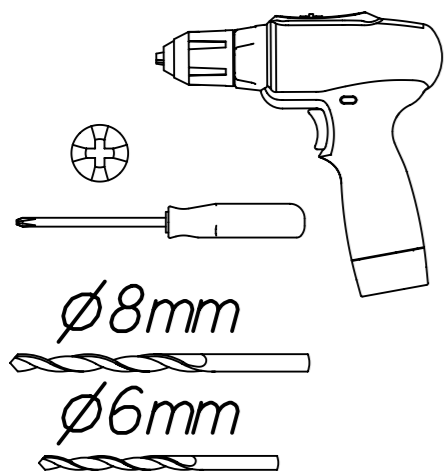


1.

M2454_02

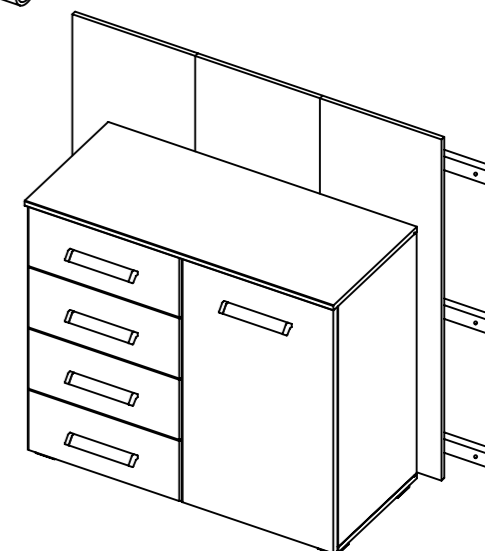
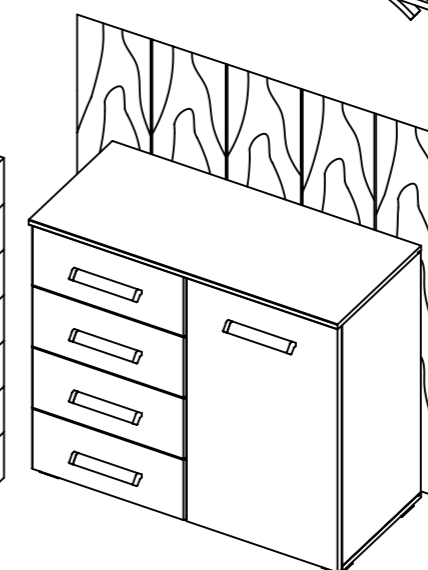
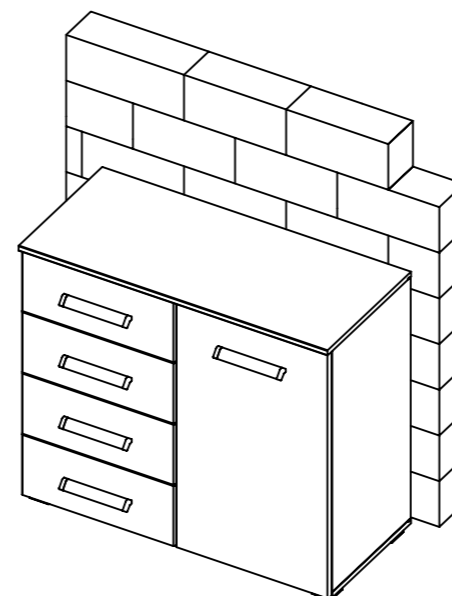
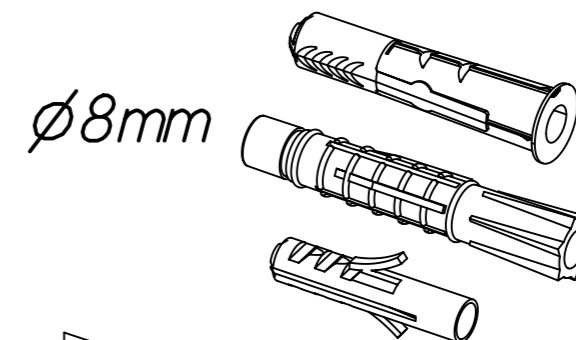
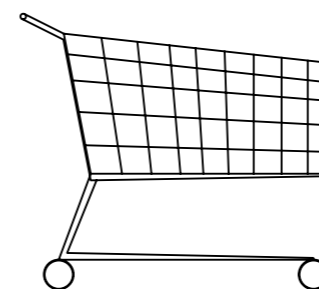
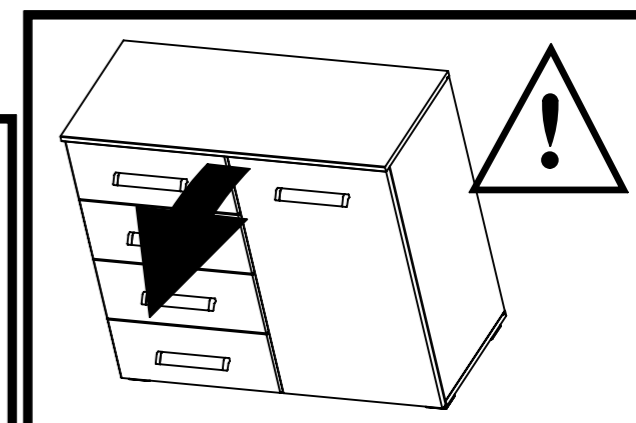
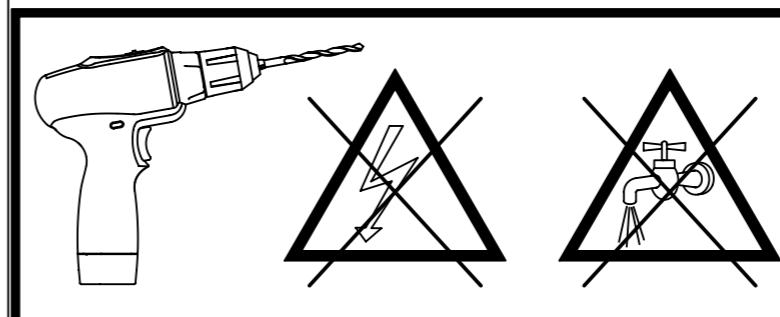
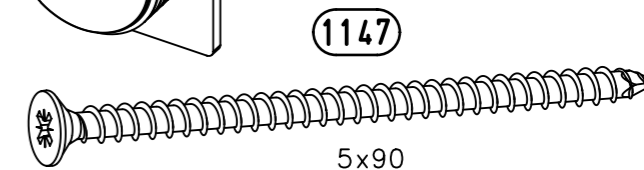
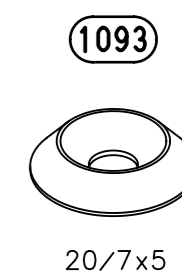
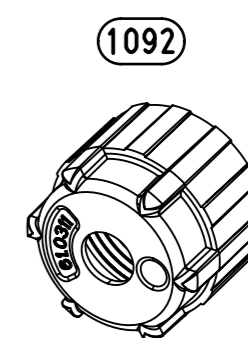
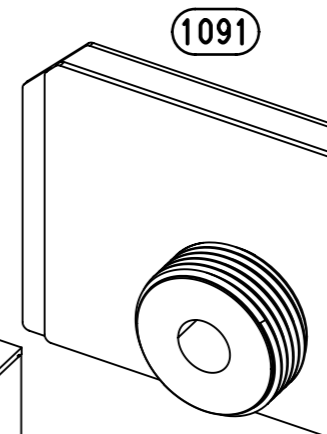
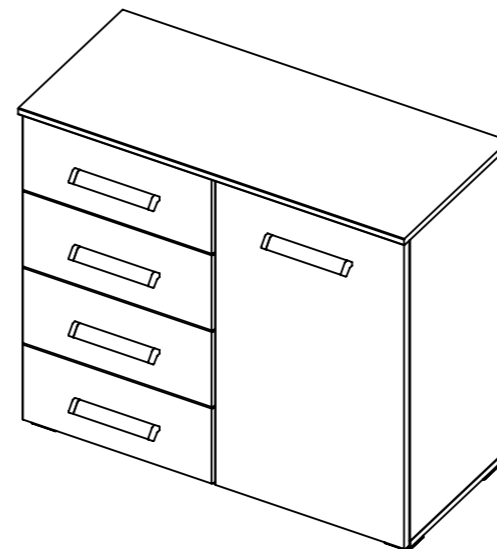
rauch



M2454

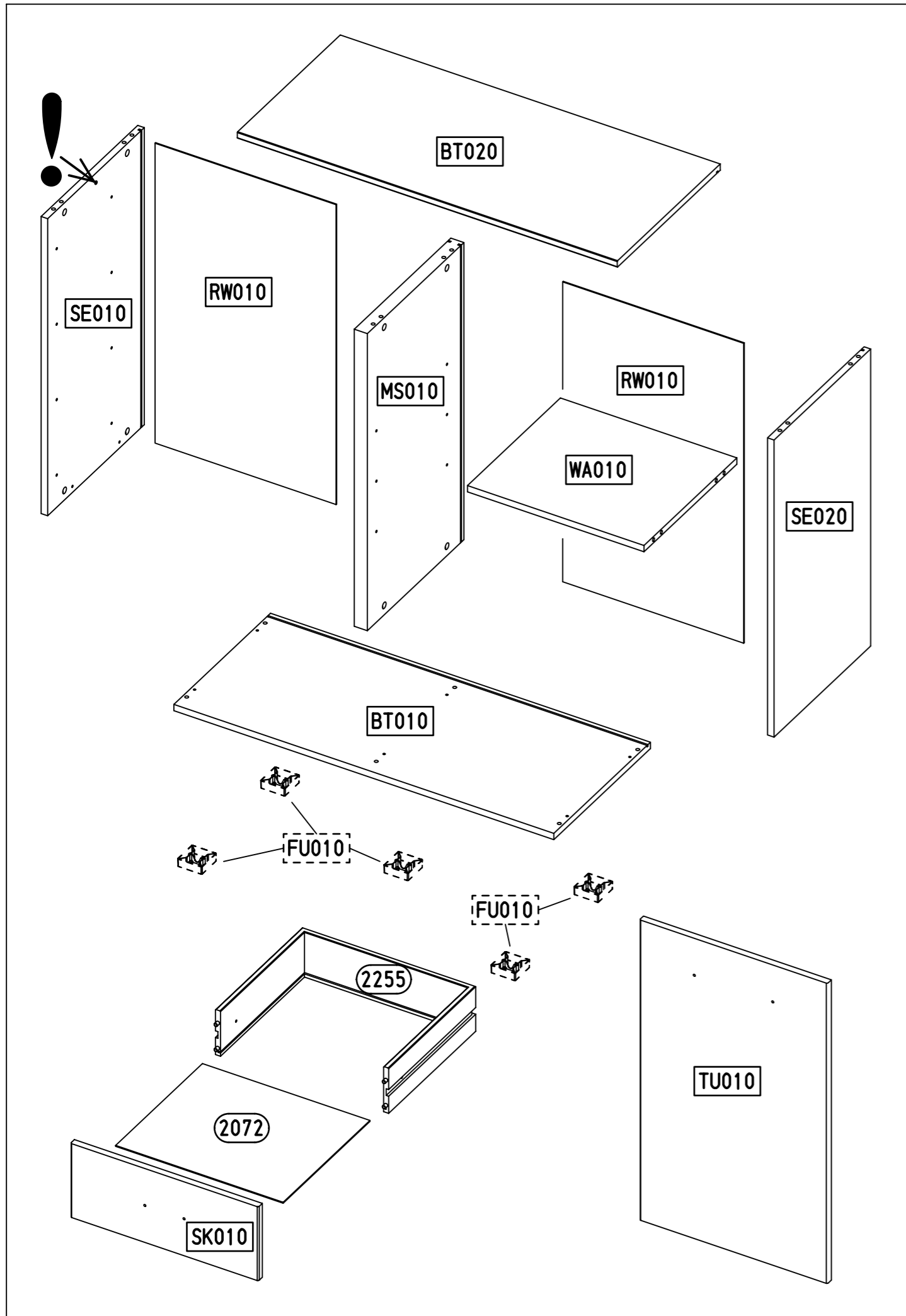
2.

2x



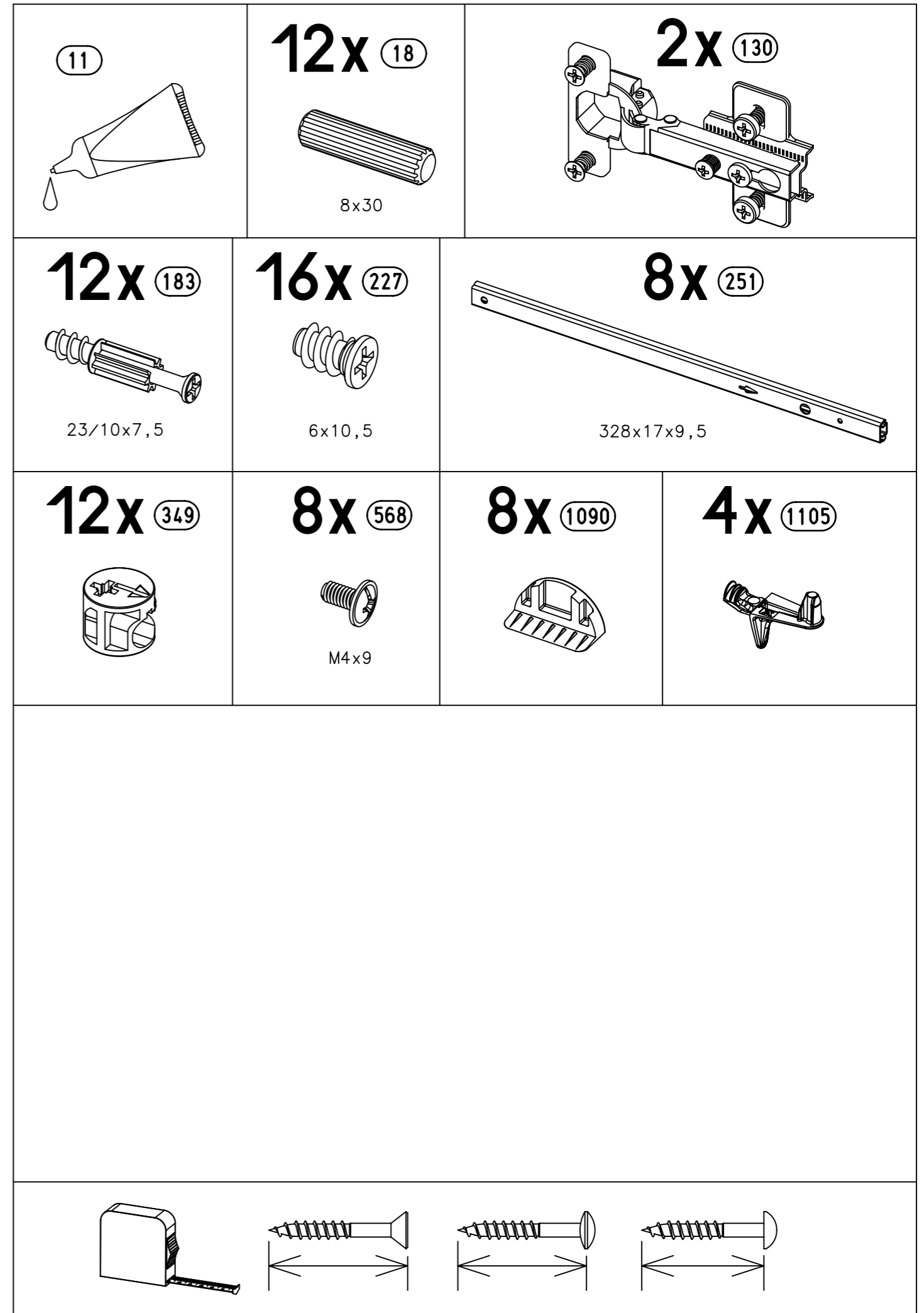
M2454

3.



M2454

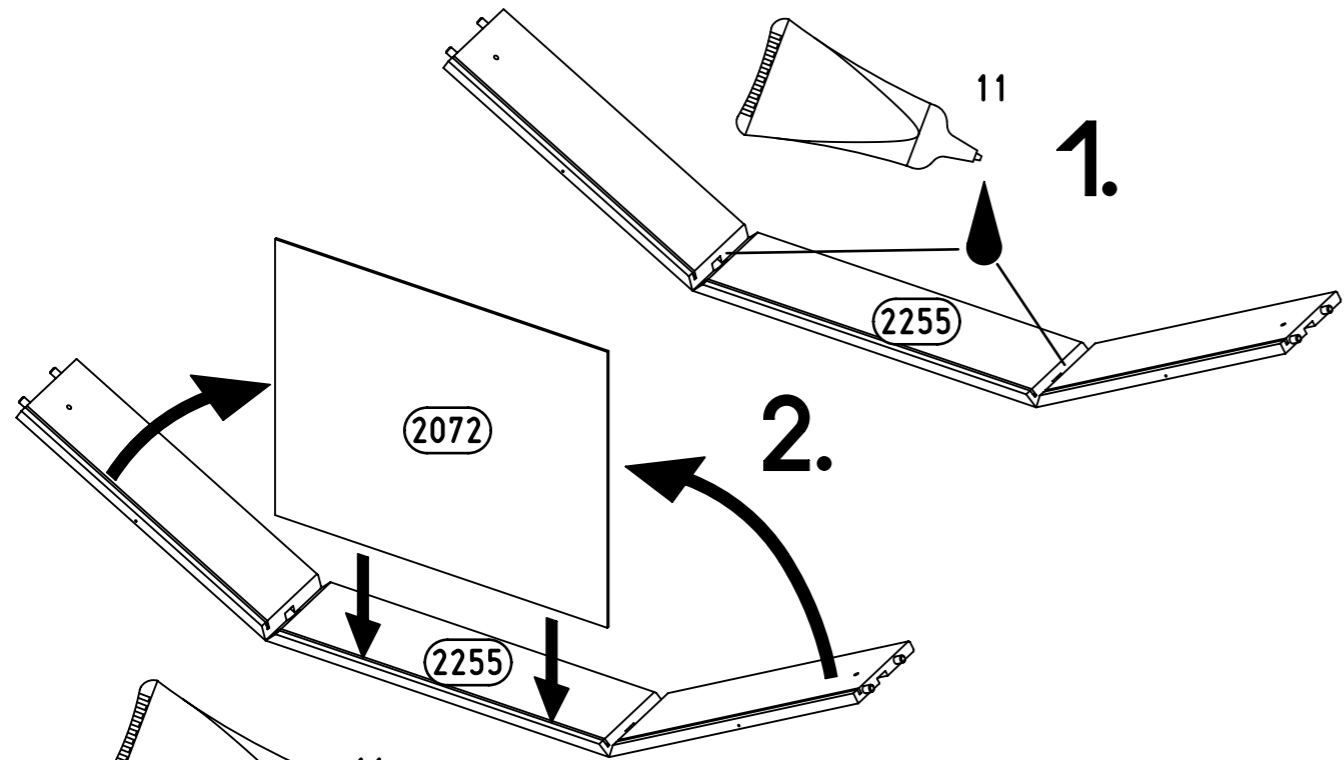
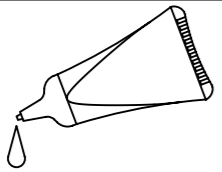
4.



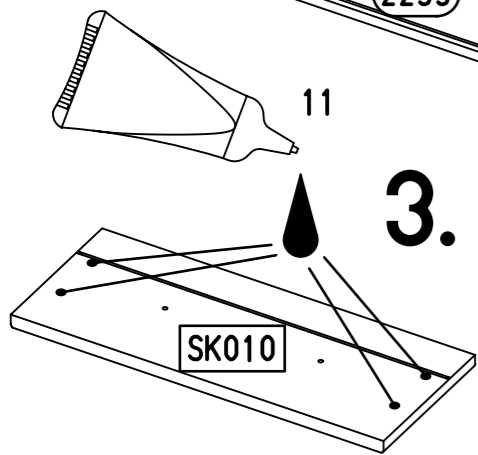
M2454

1

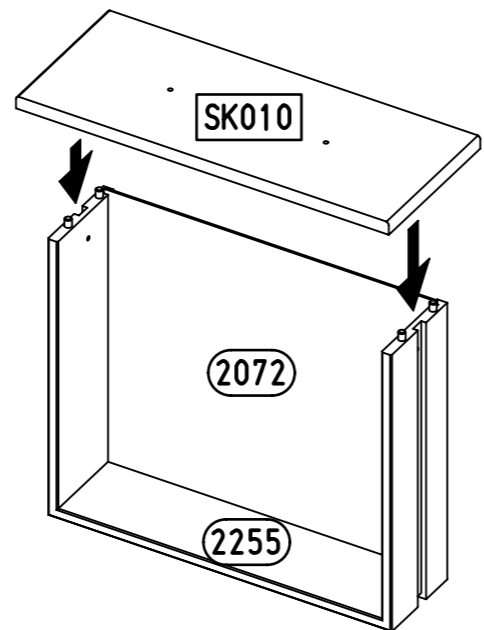
11



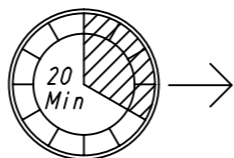
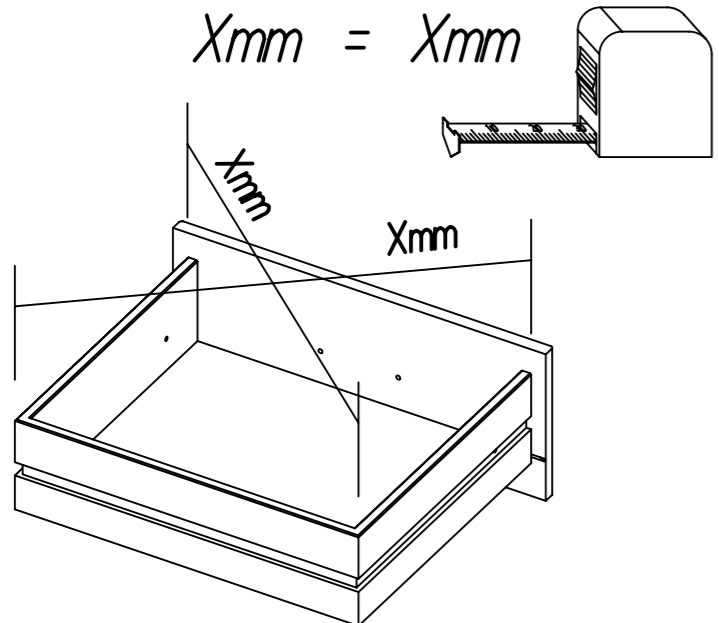
2.



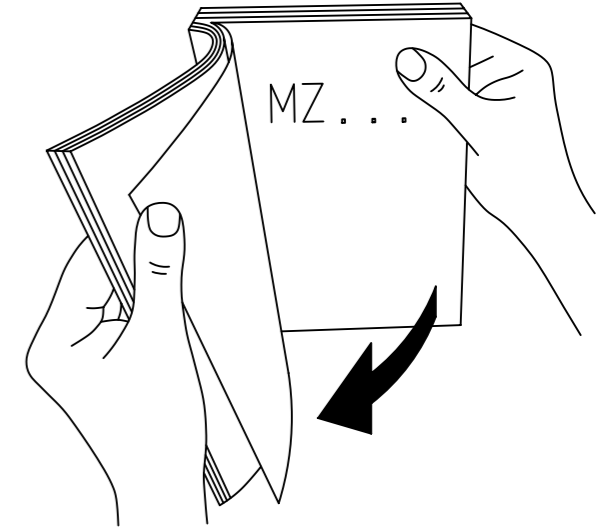
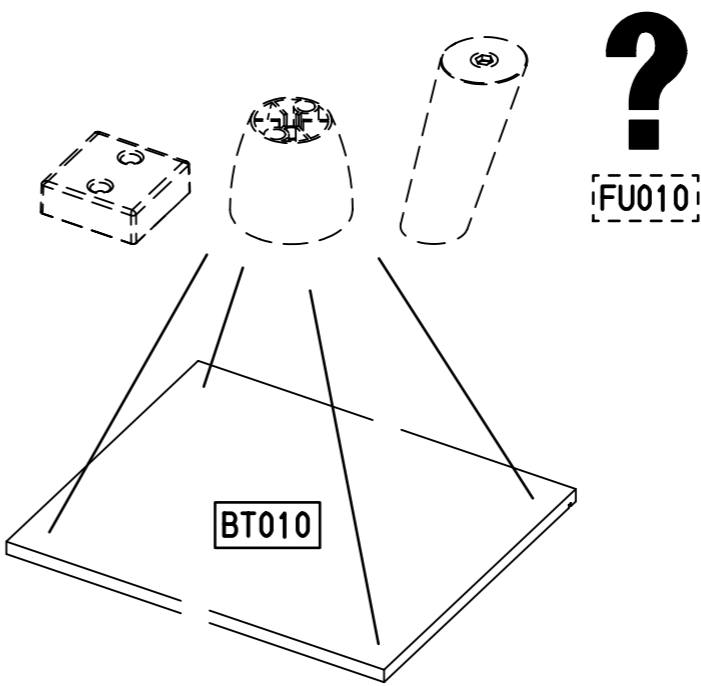
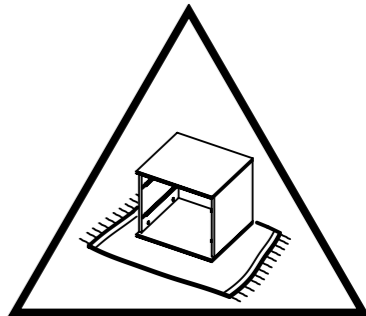
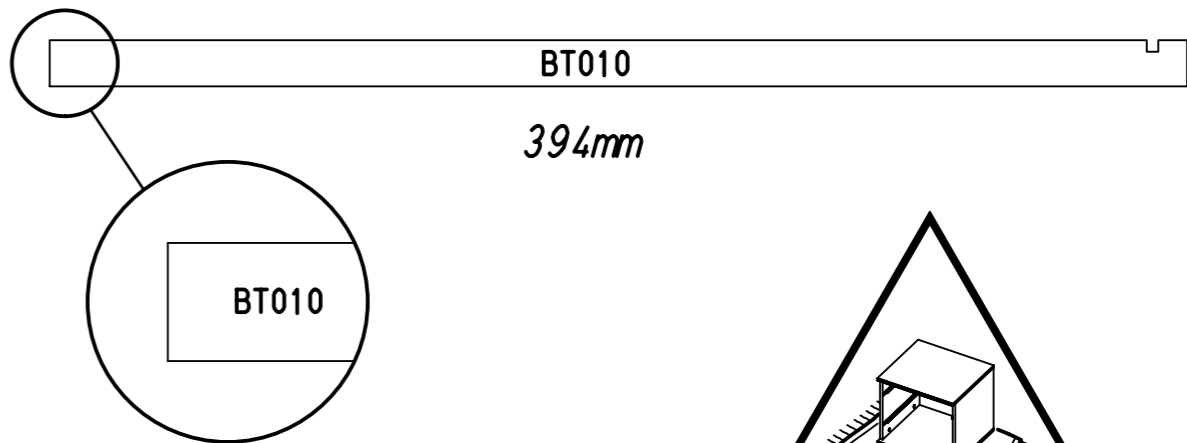
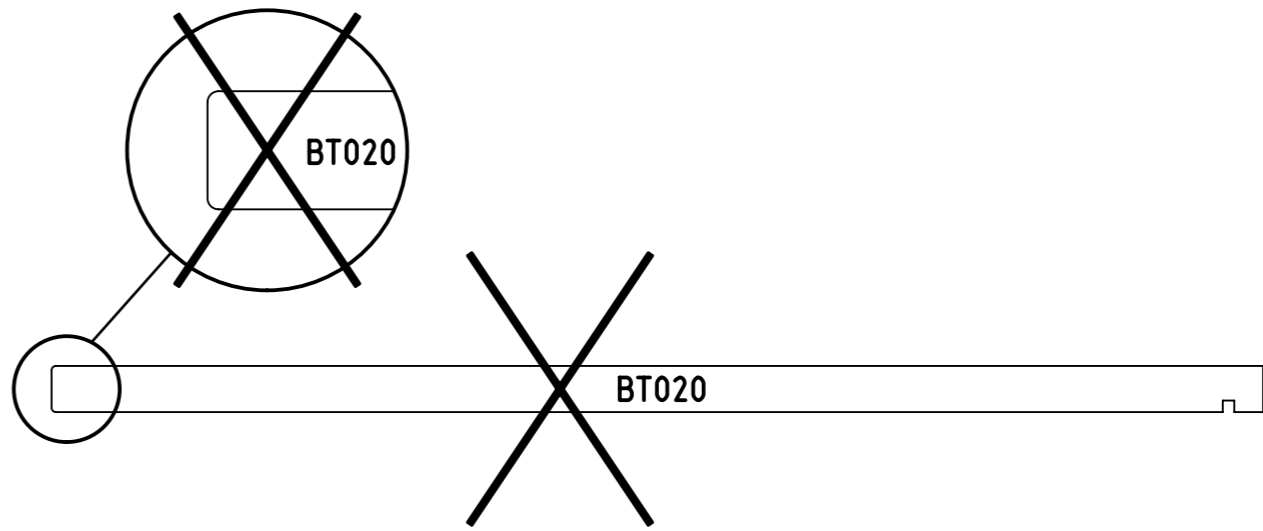
4.



Xmm = Xmm

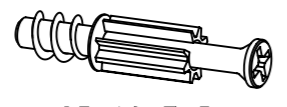


2

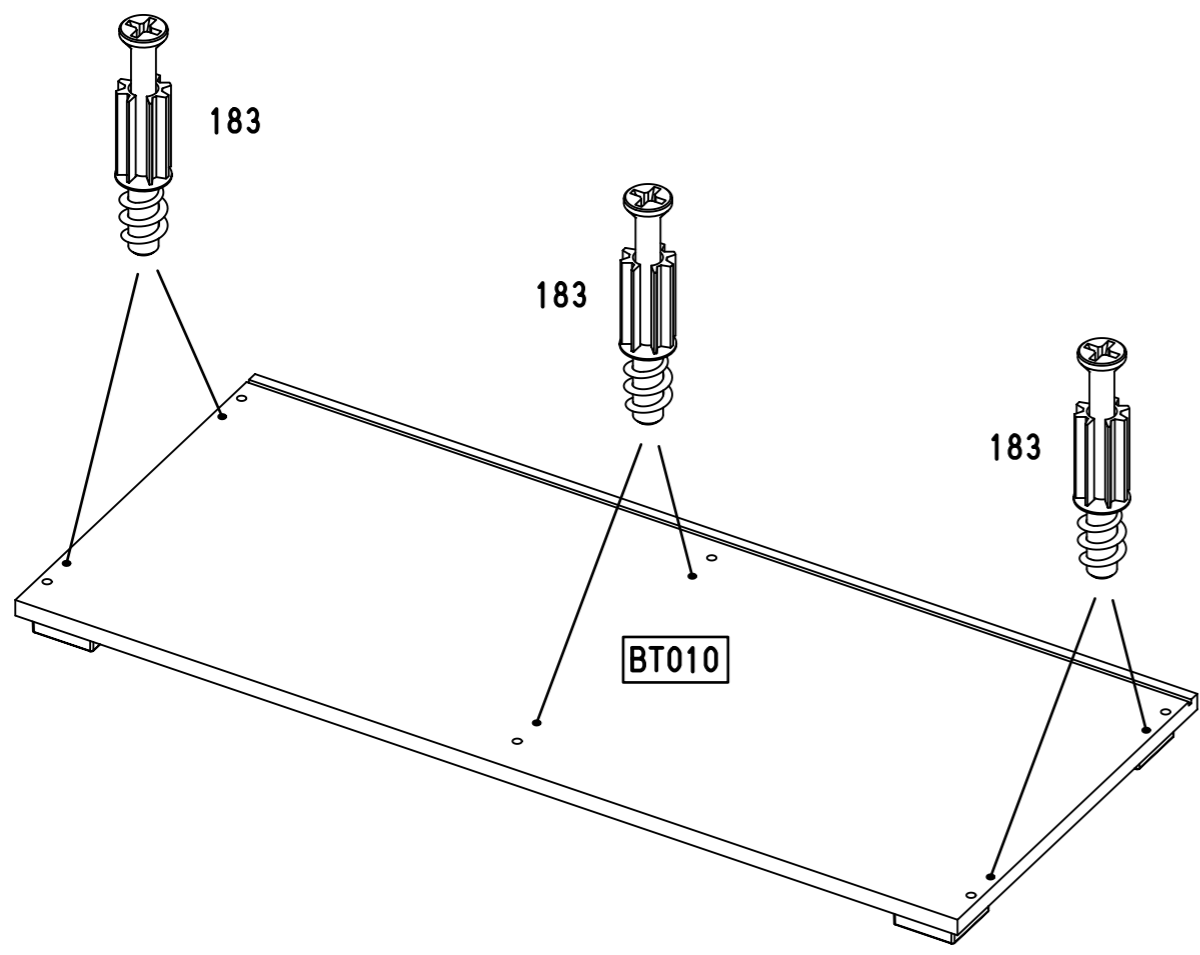
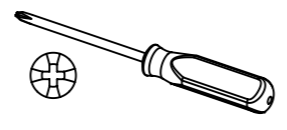


3

6x 183

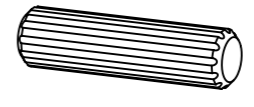


23/10x7,5

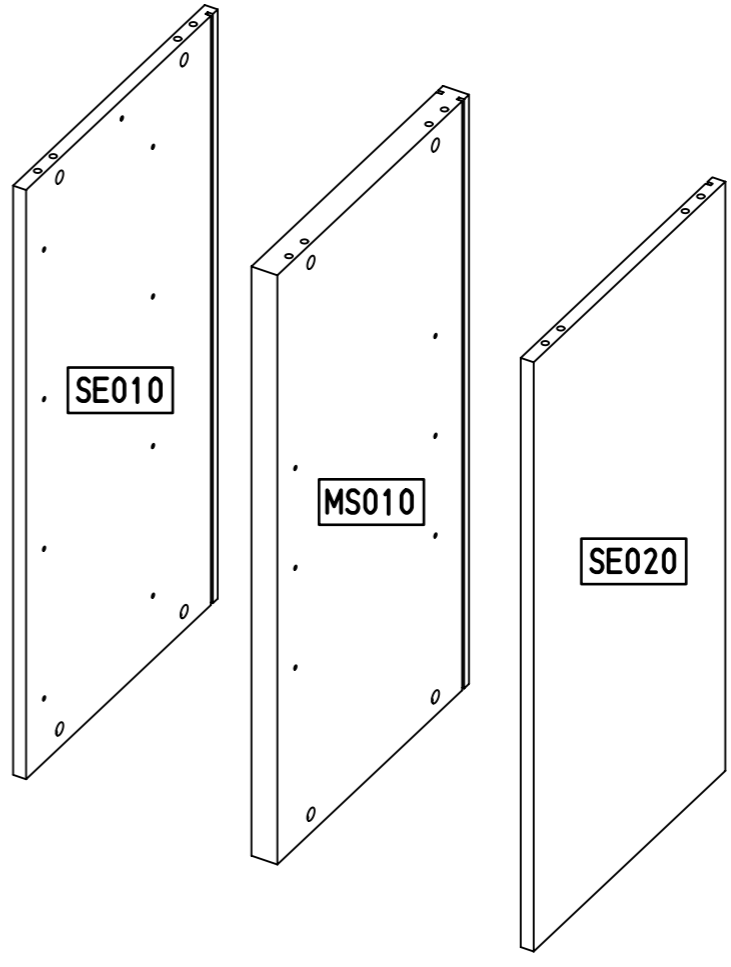
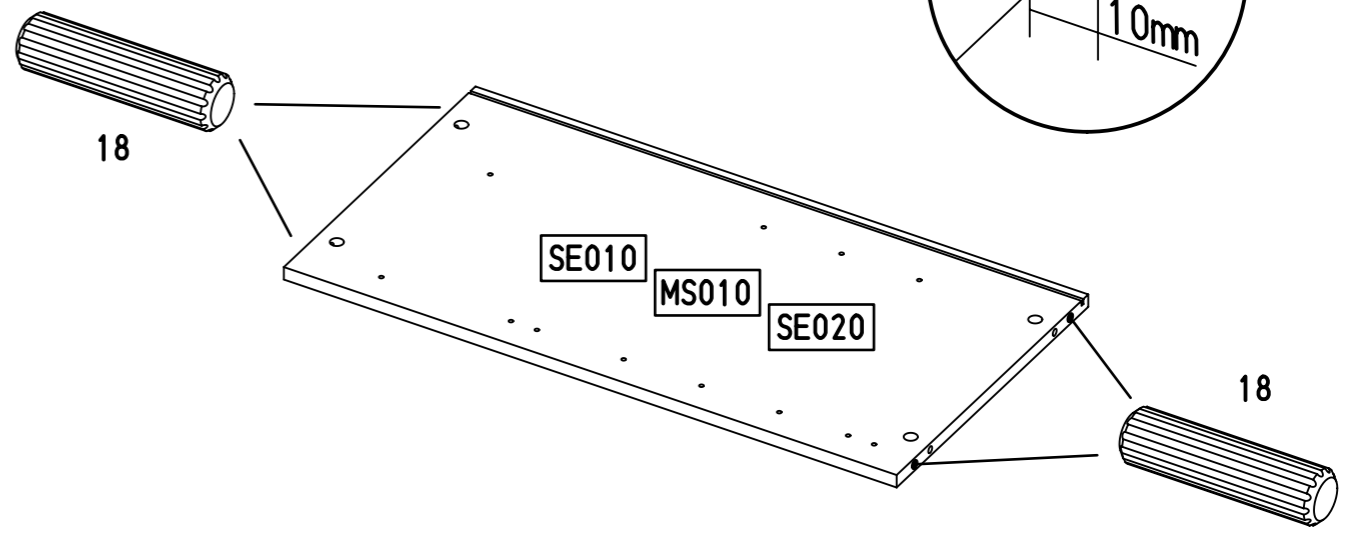
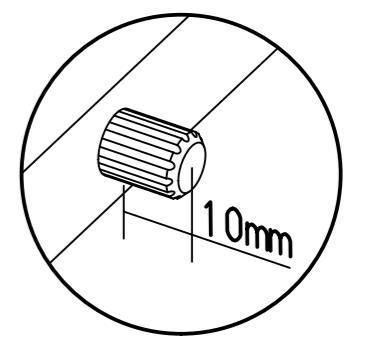


4

12x 18

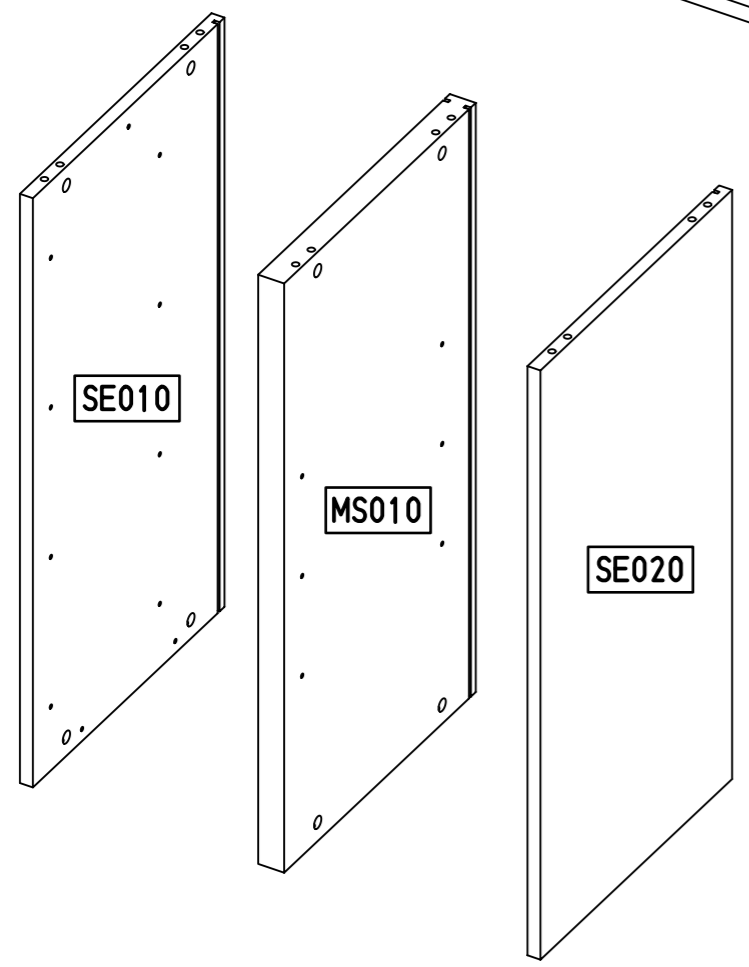
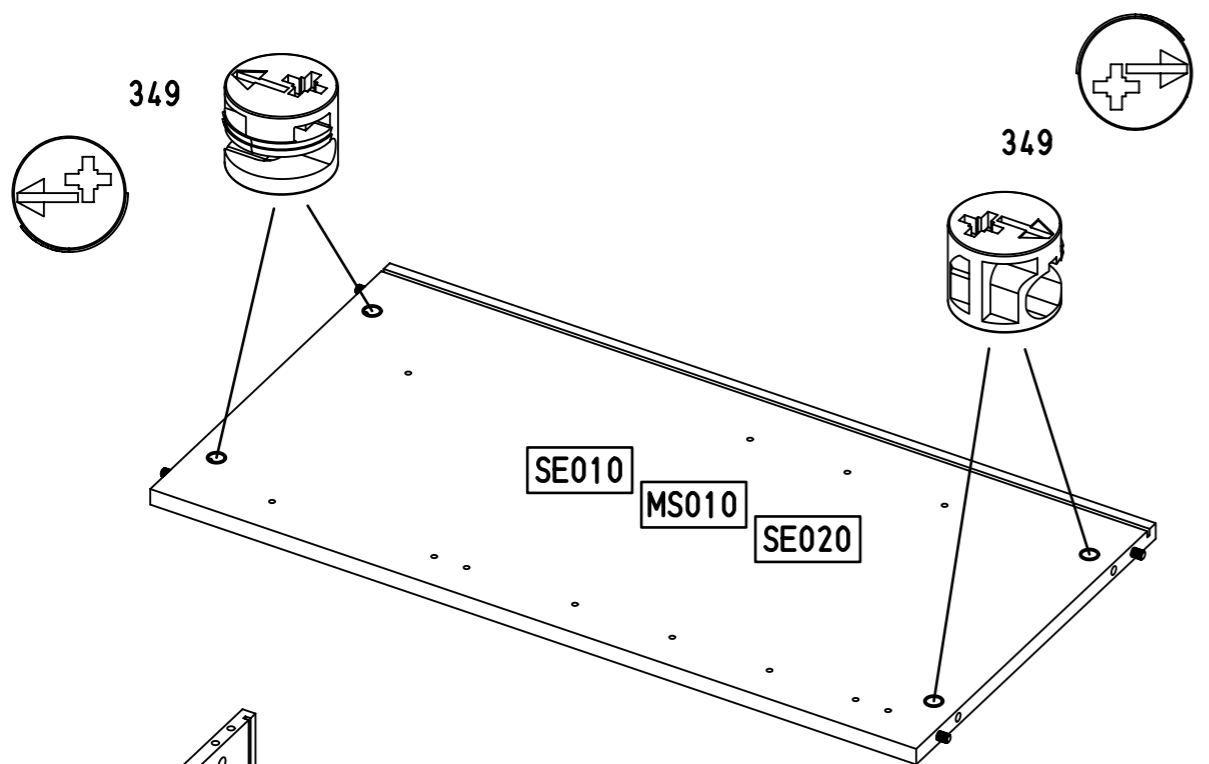
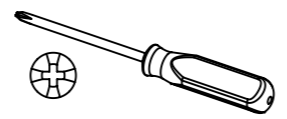


8x30



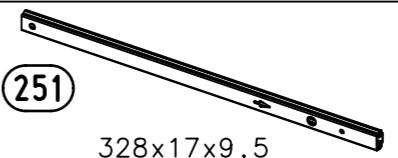
5

12x 349



6

4x 251

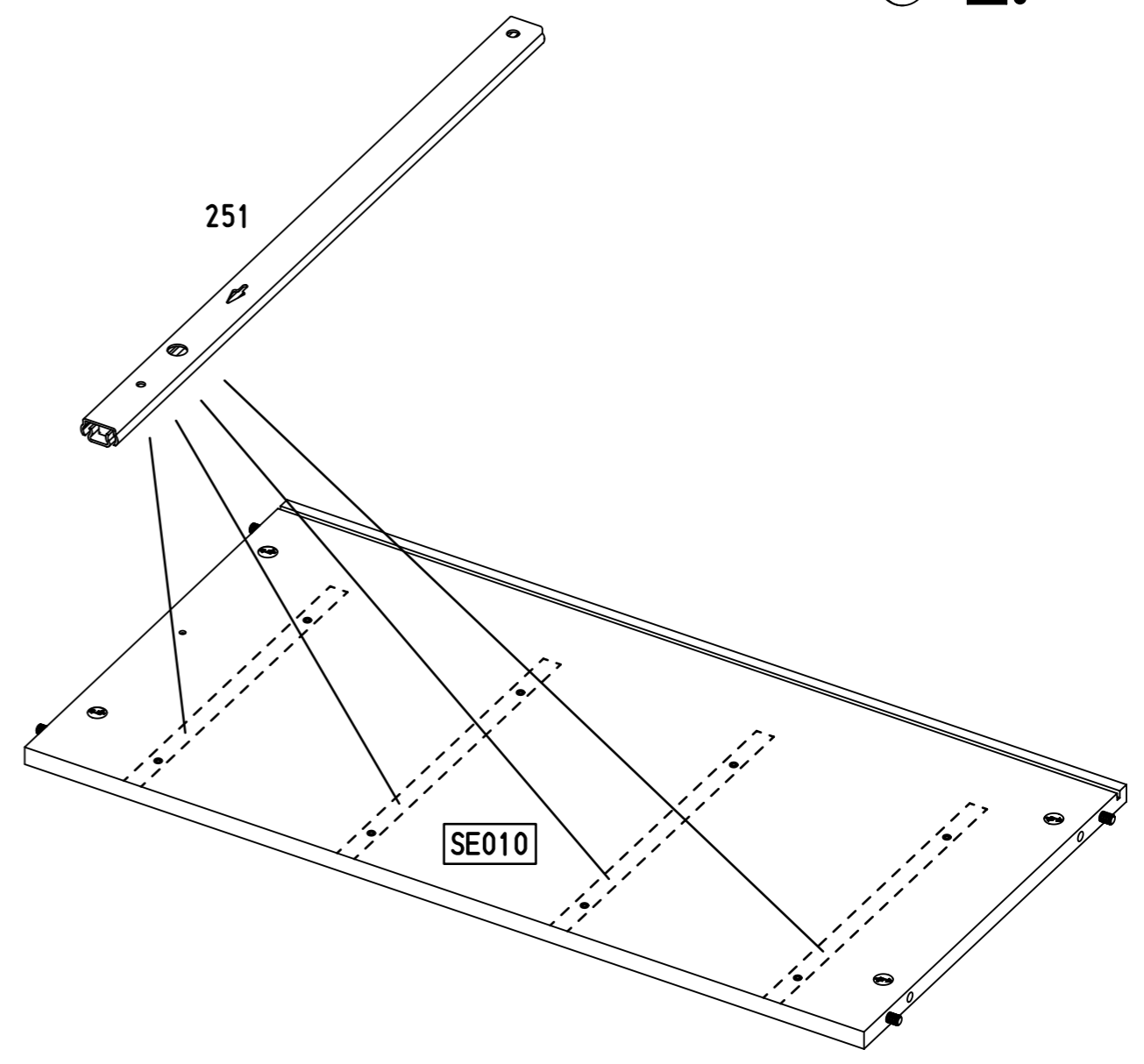
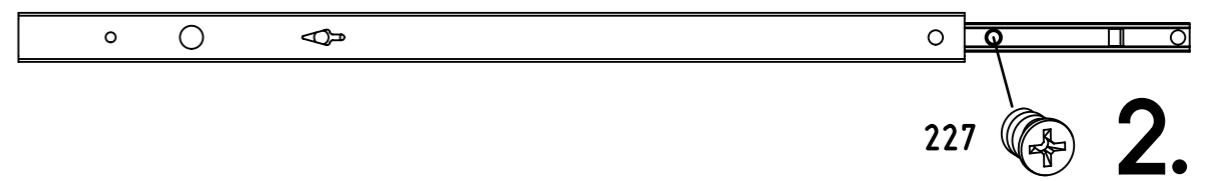
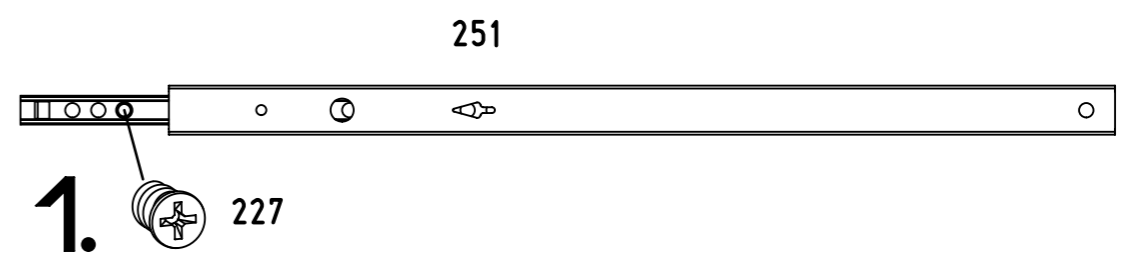
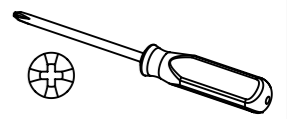


328x17x9,5

8x 227

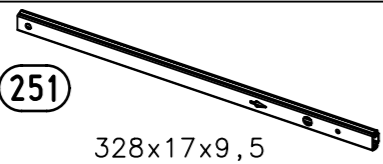


6x10,5



7

4x (251)

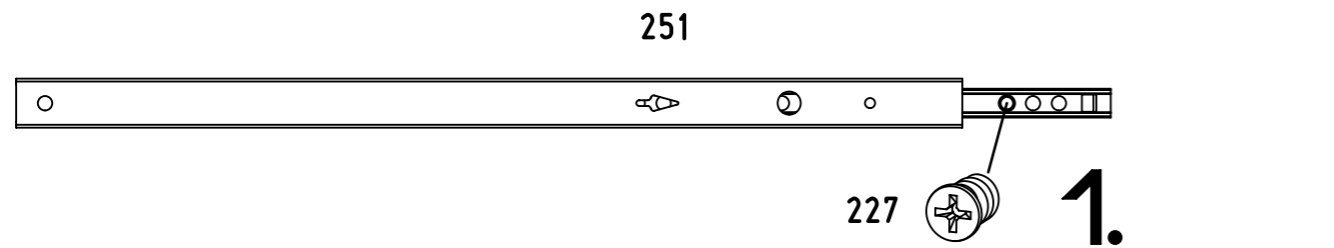
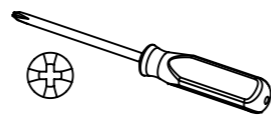


328x17x9,5

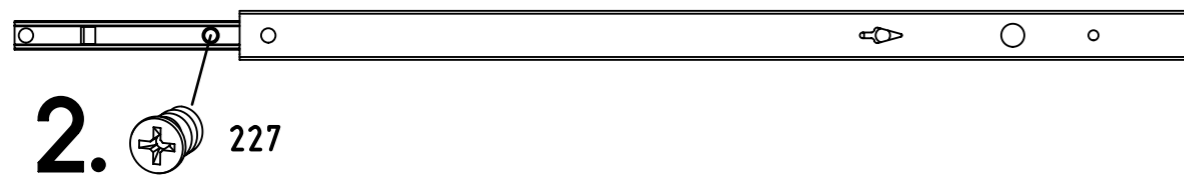
8x (227)



6x10,5

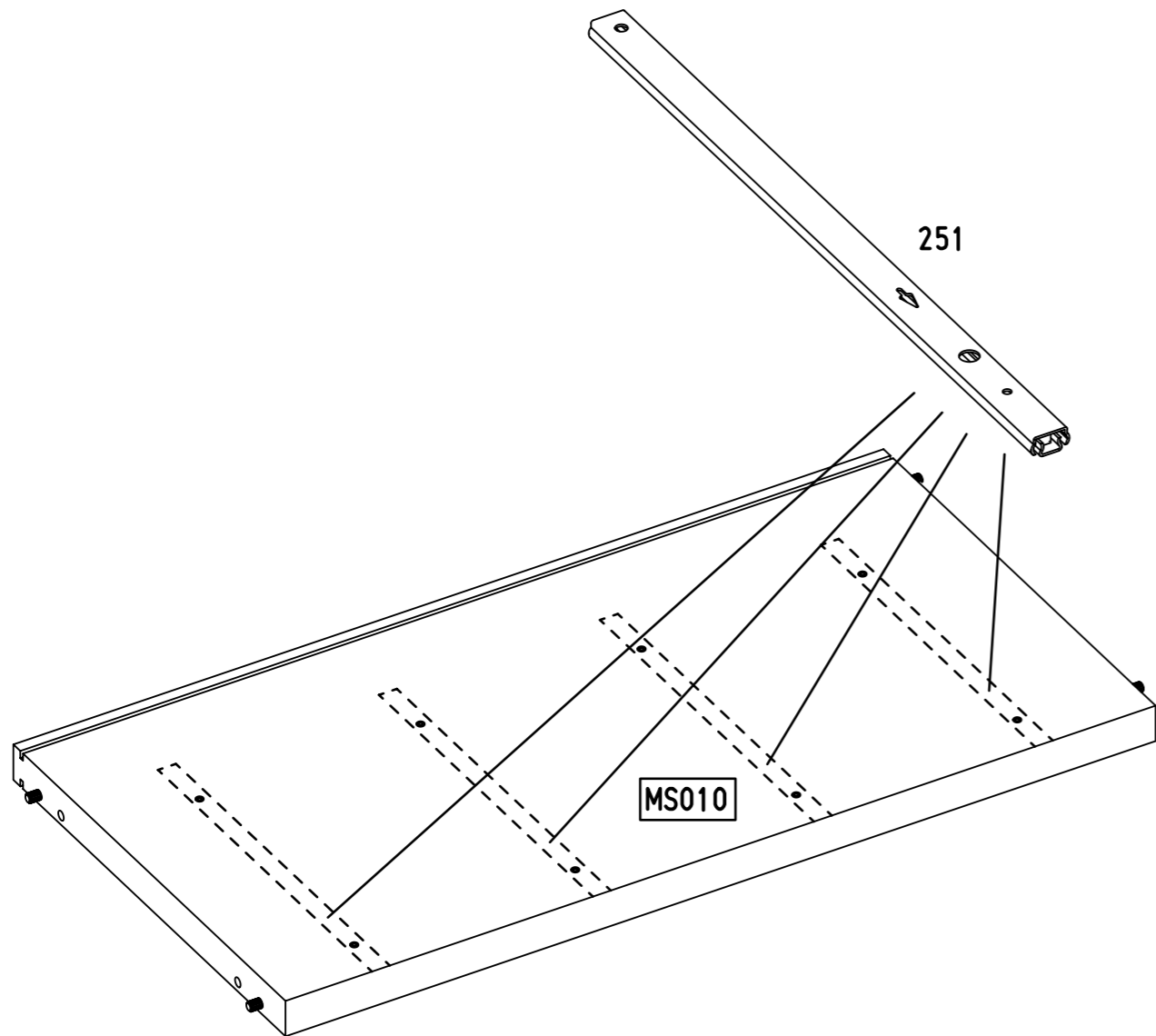


1.

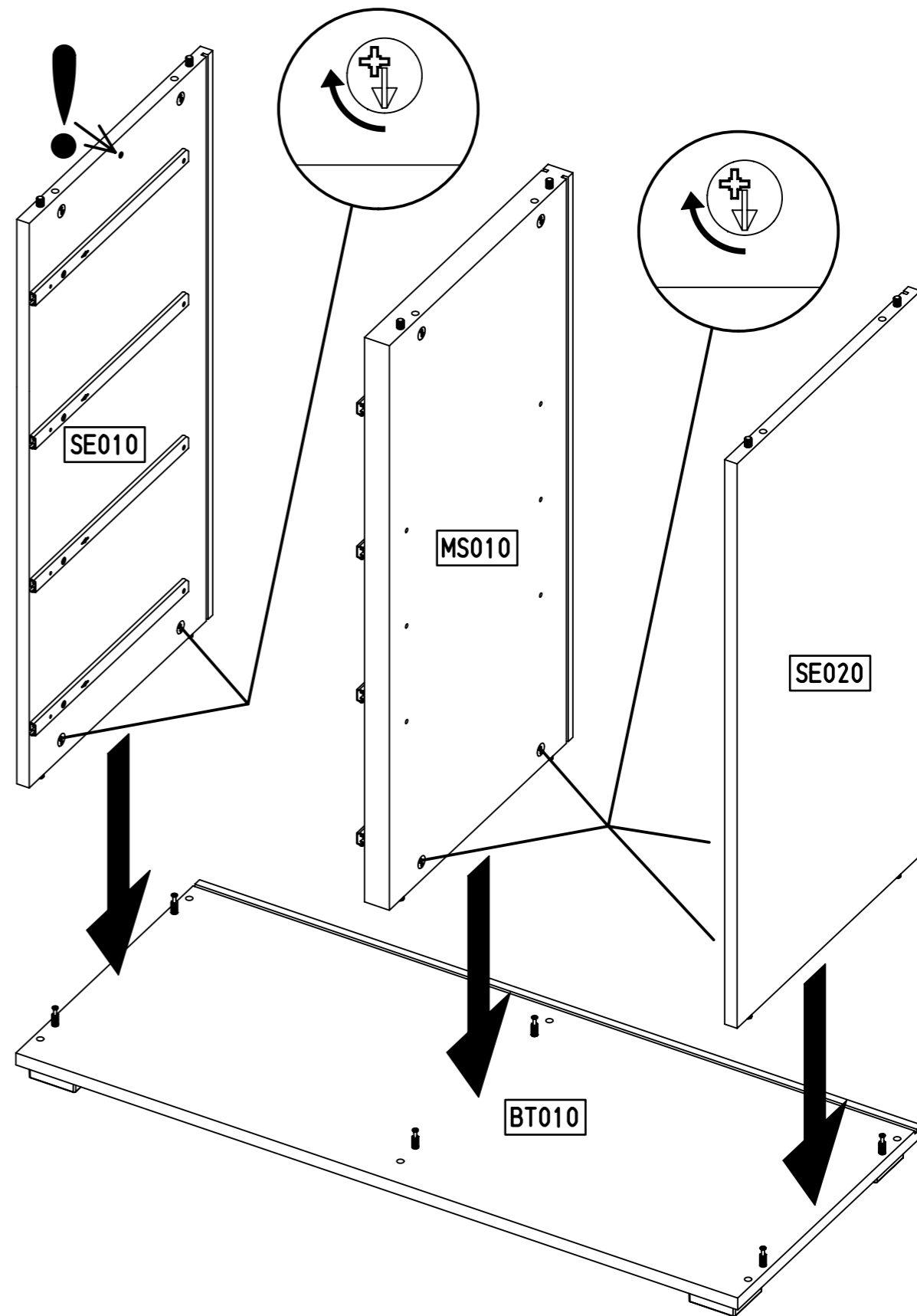
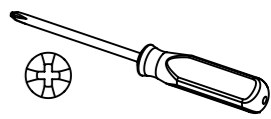


2.

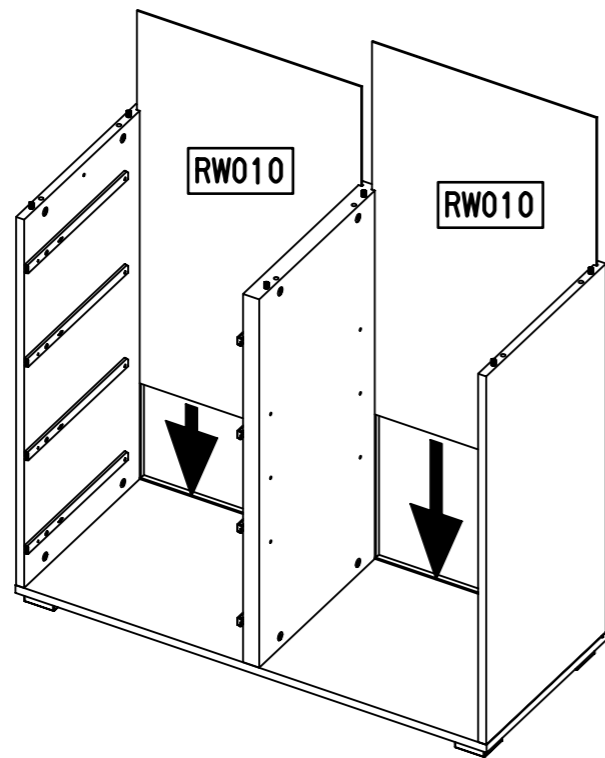
227



8

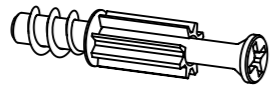


9

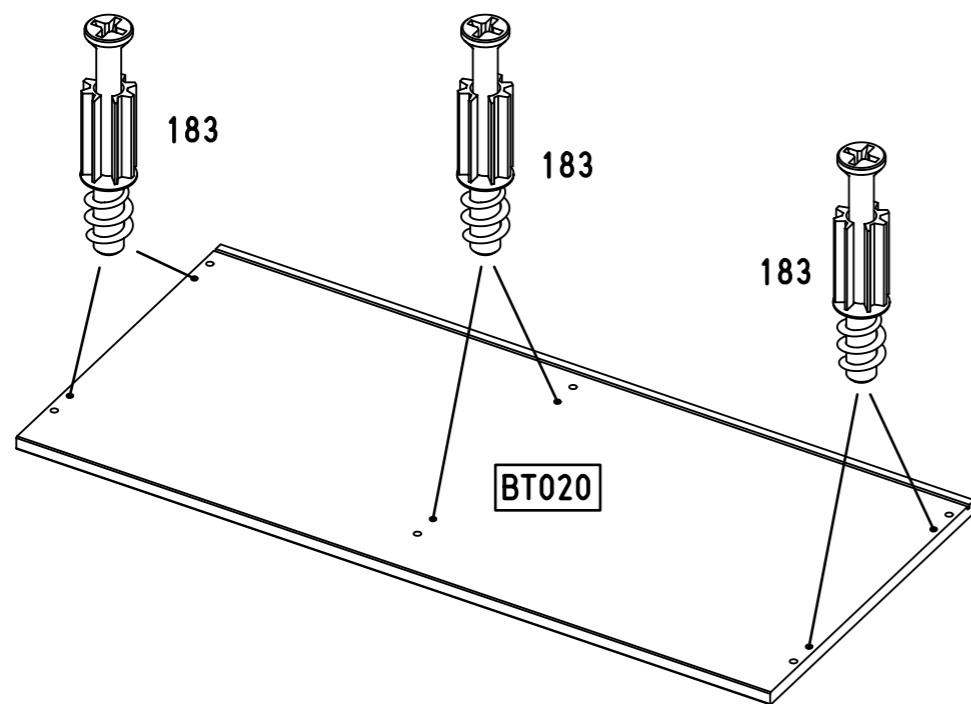
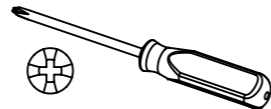


10

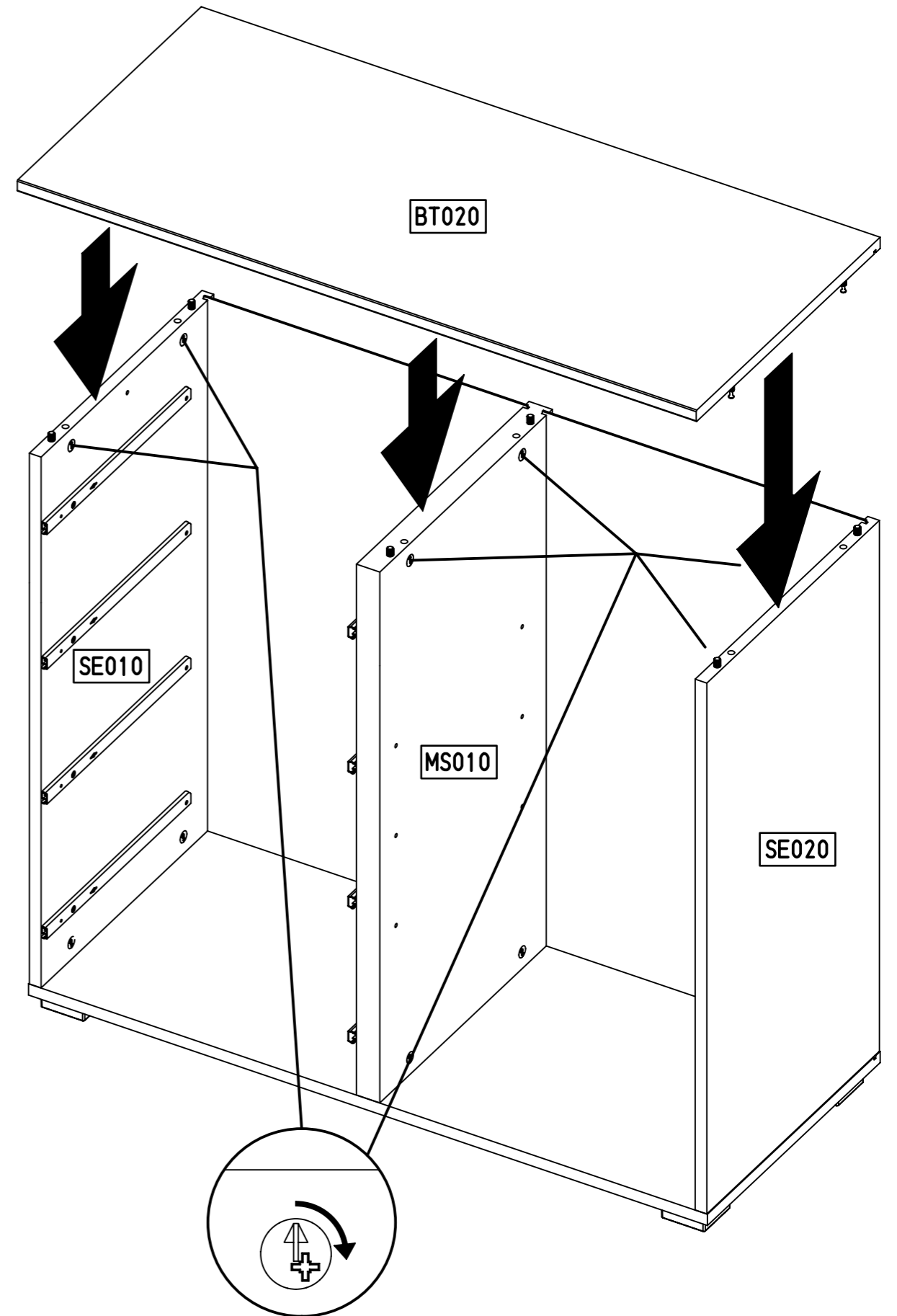
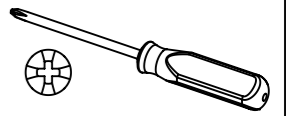
6x 183



23/10x7,5

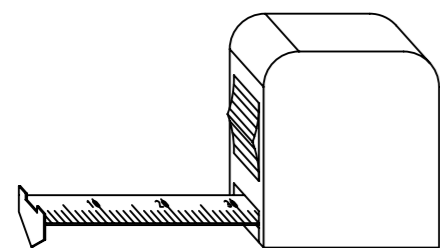
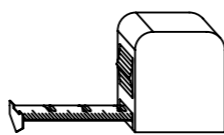
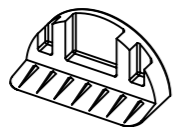


11

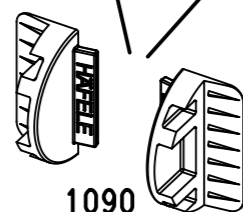
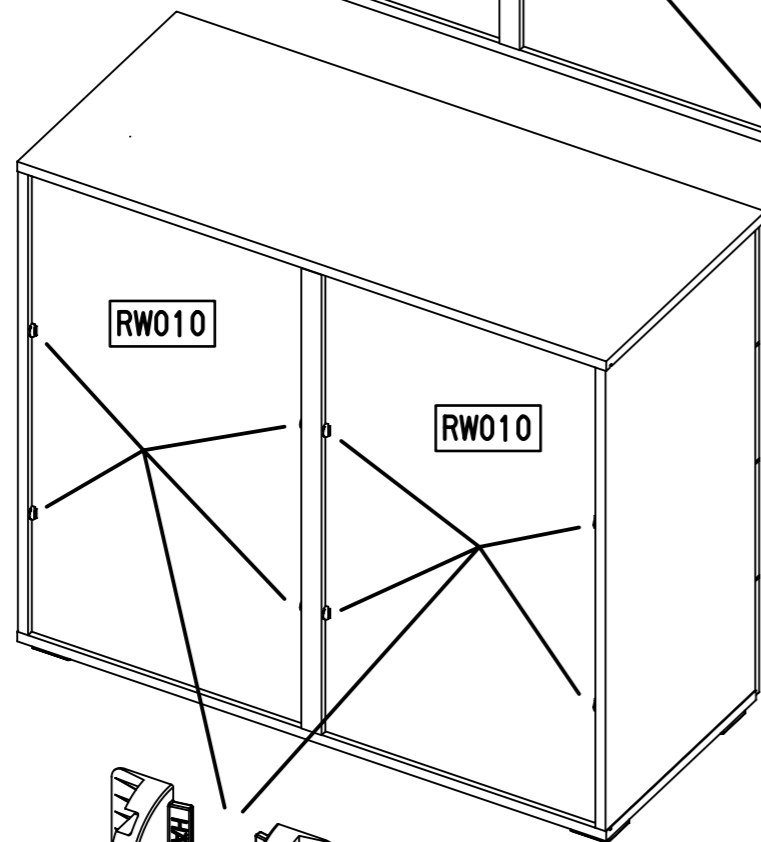
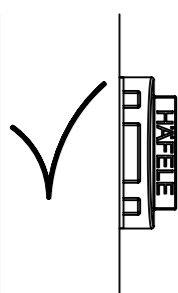
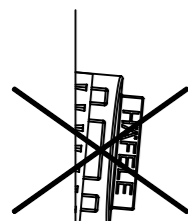
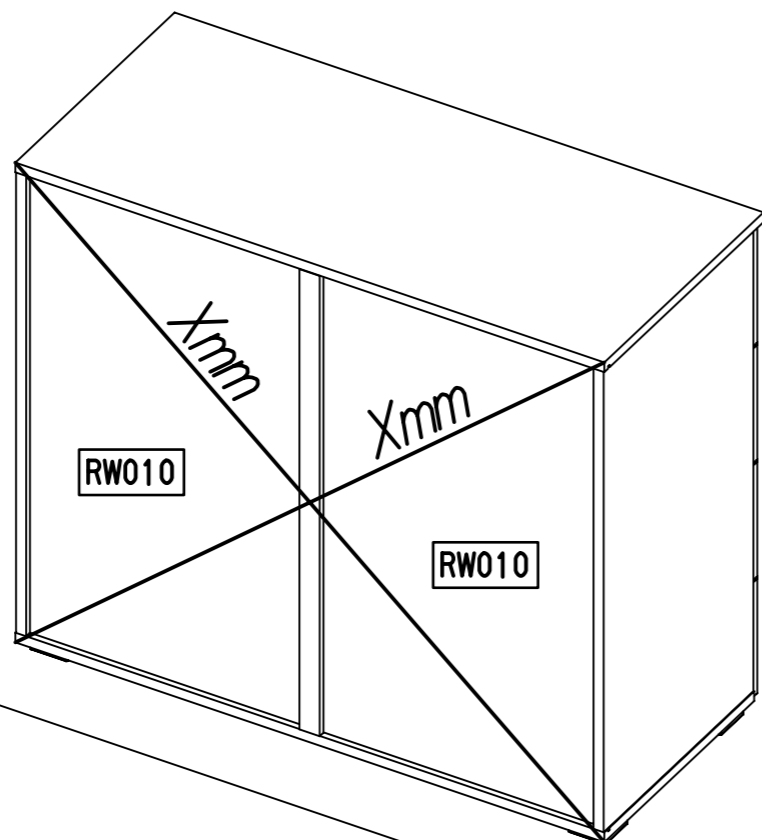


12

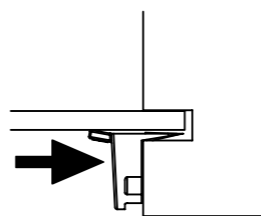
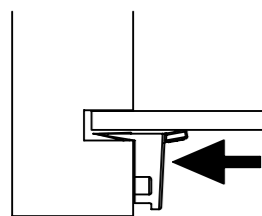
8x 1090



Xmm = Xmm

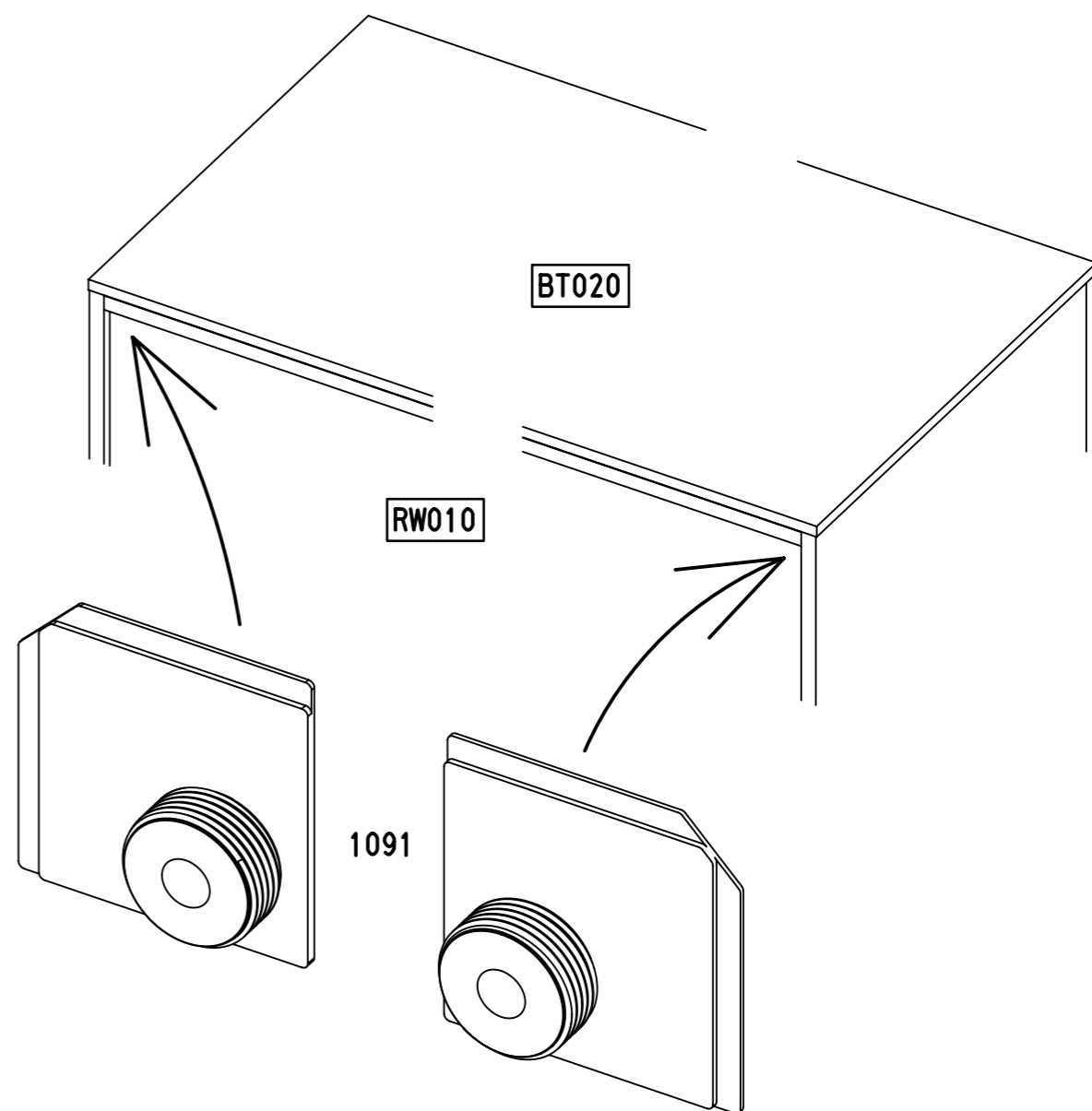
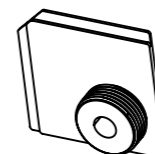


1090

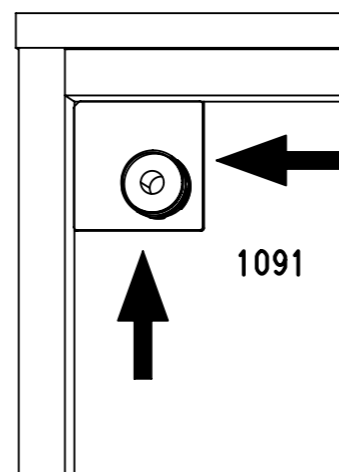


13

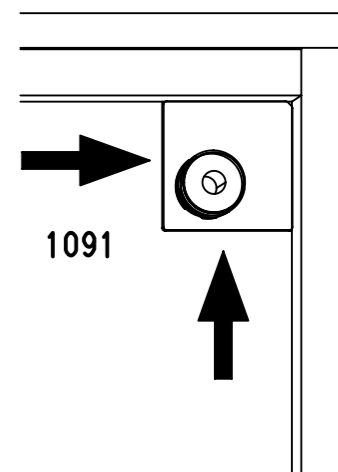
2x 1091



1091



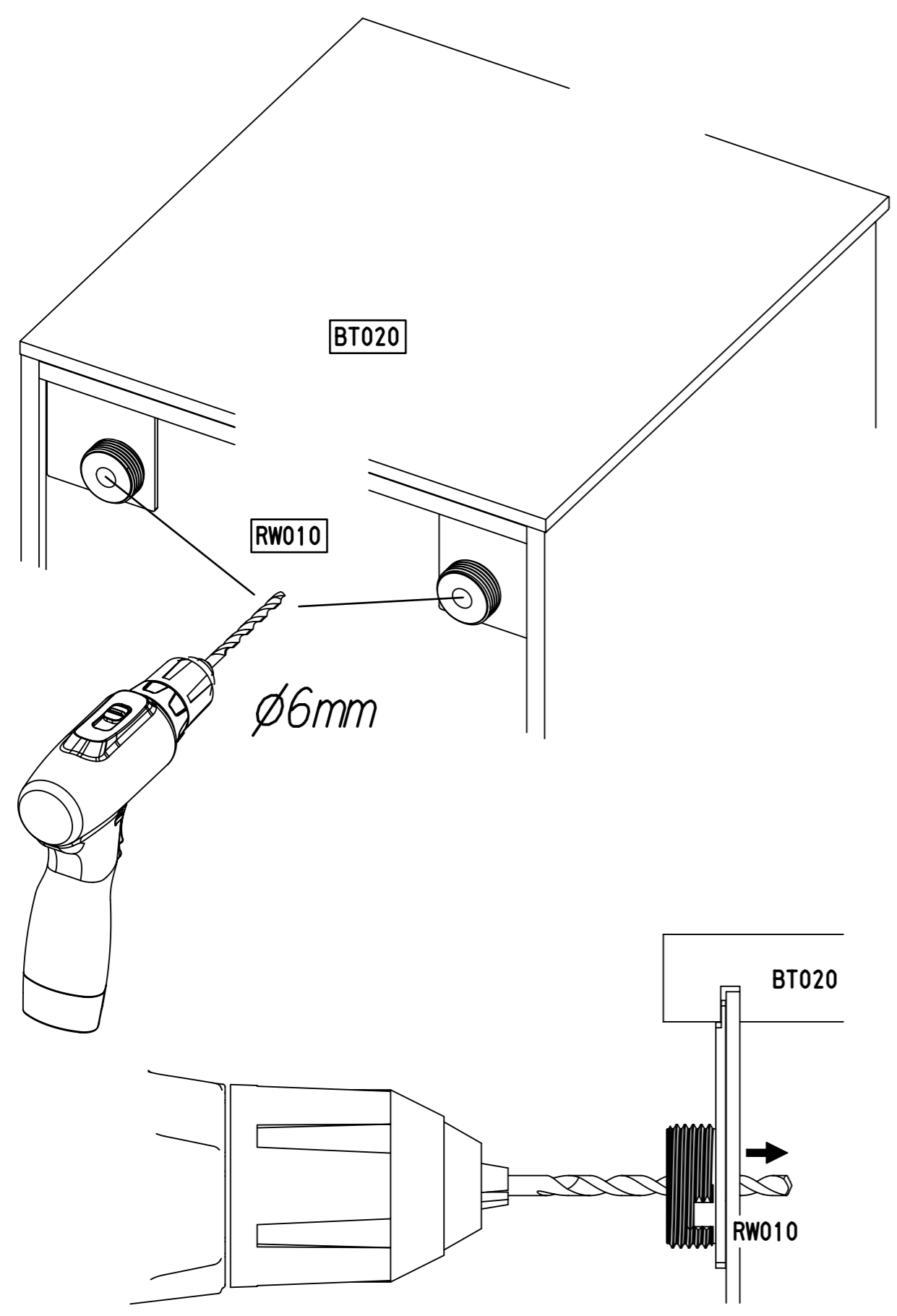
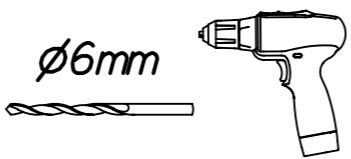
1091



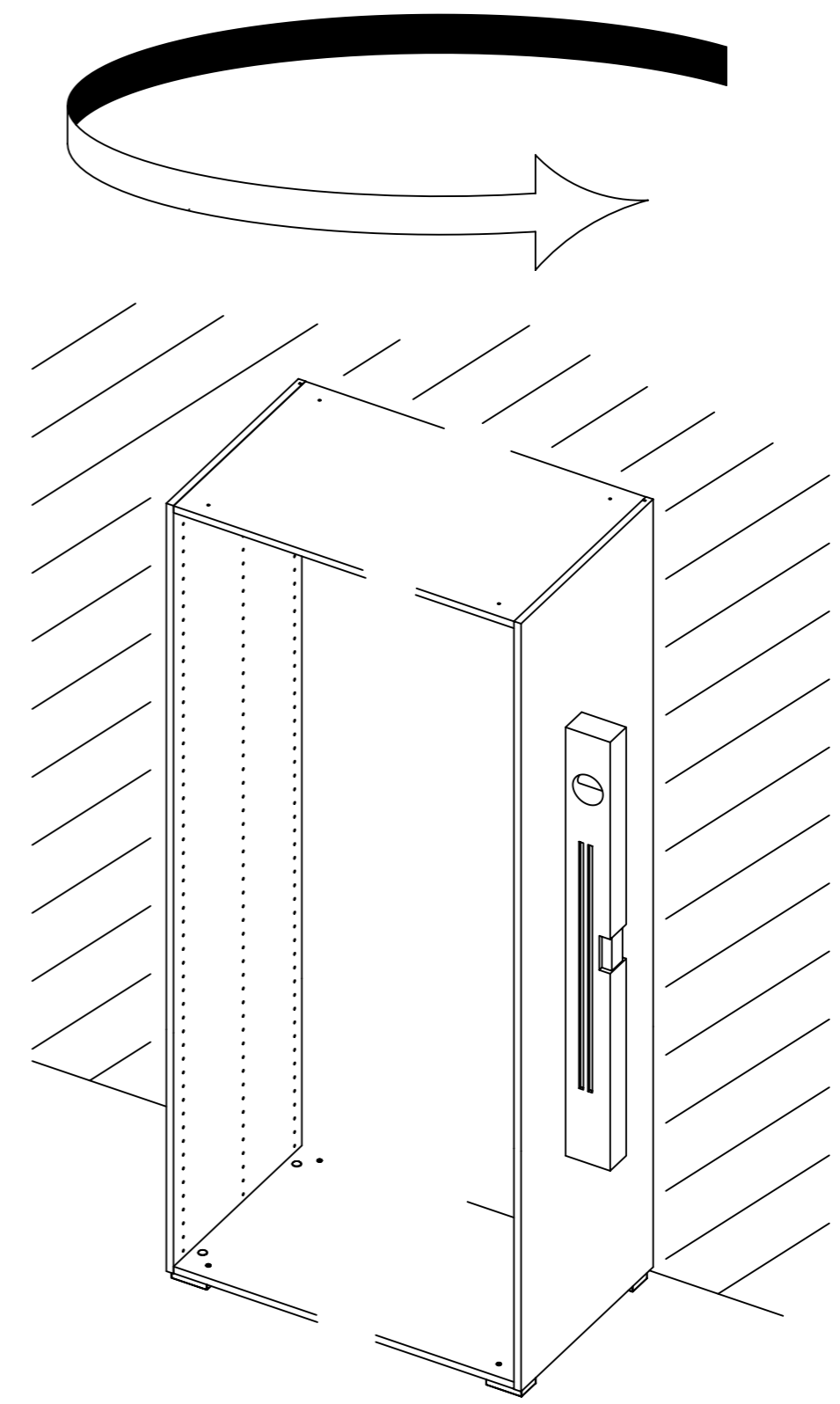
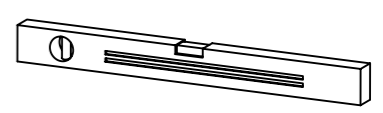
1091

RW010

14

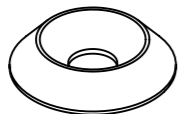


15



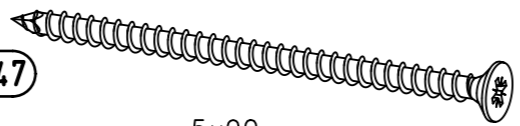
16

2x 1093

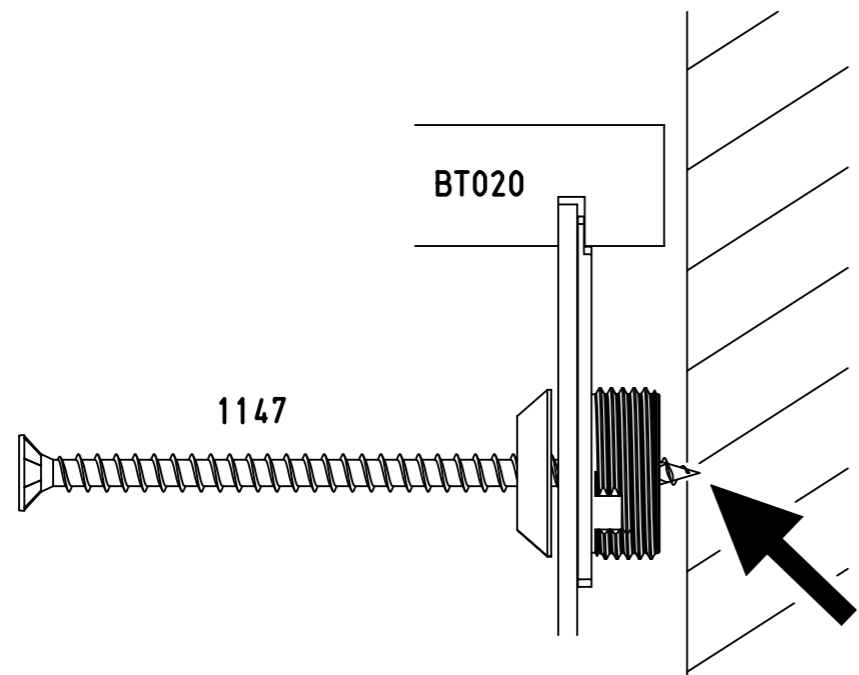
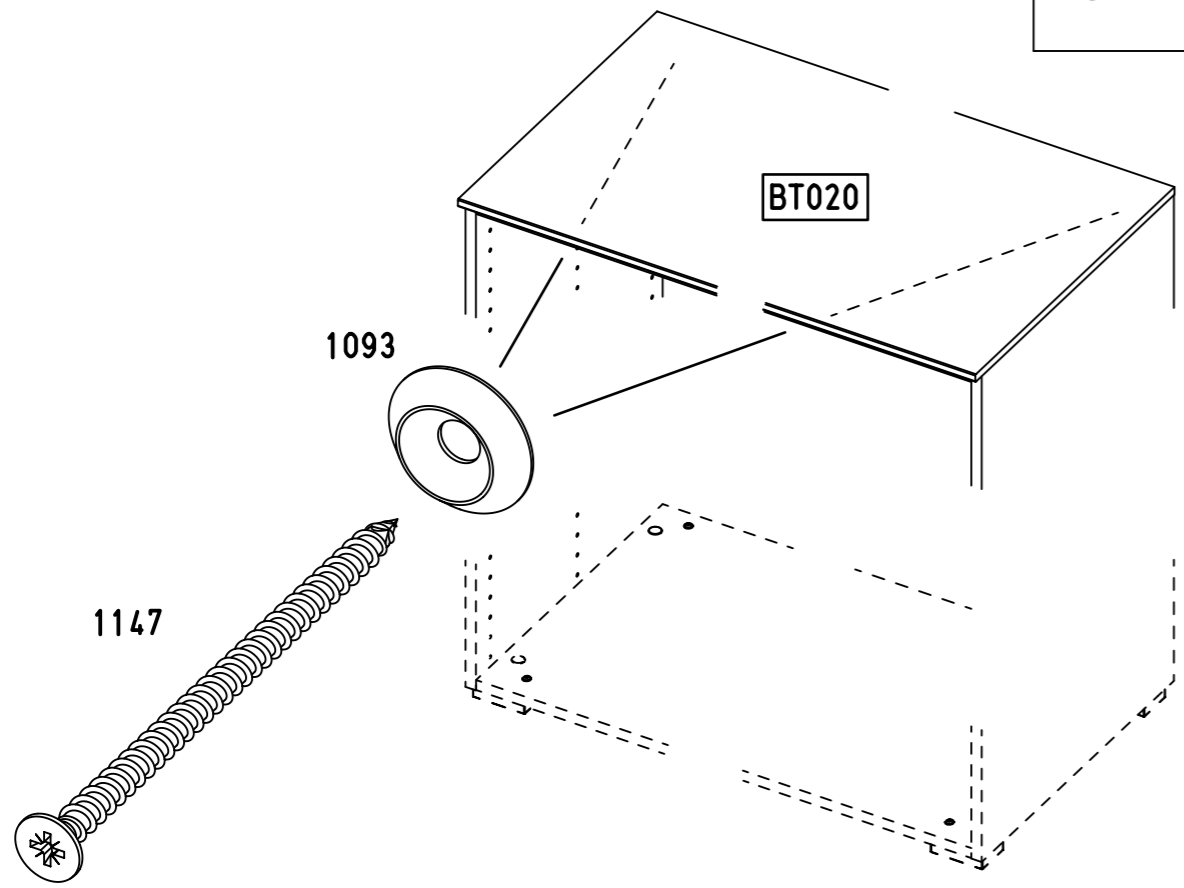
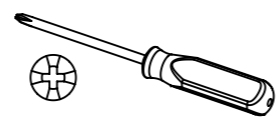


20/7x5

2x 1147

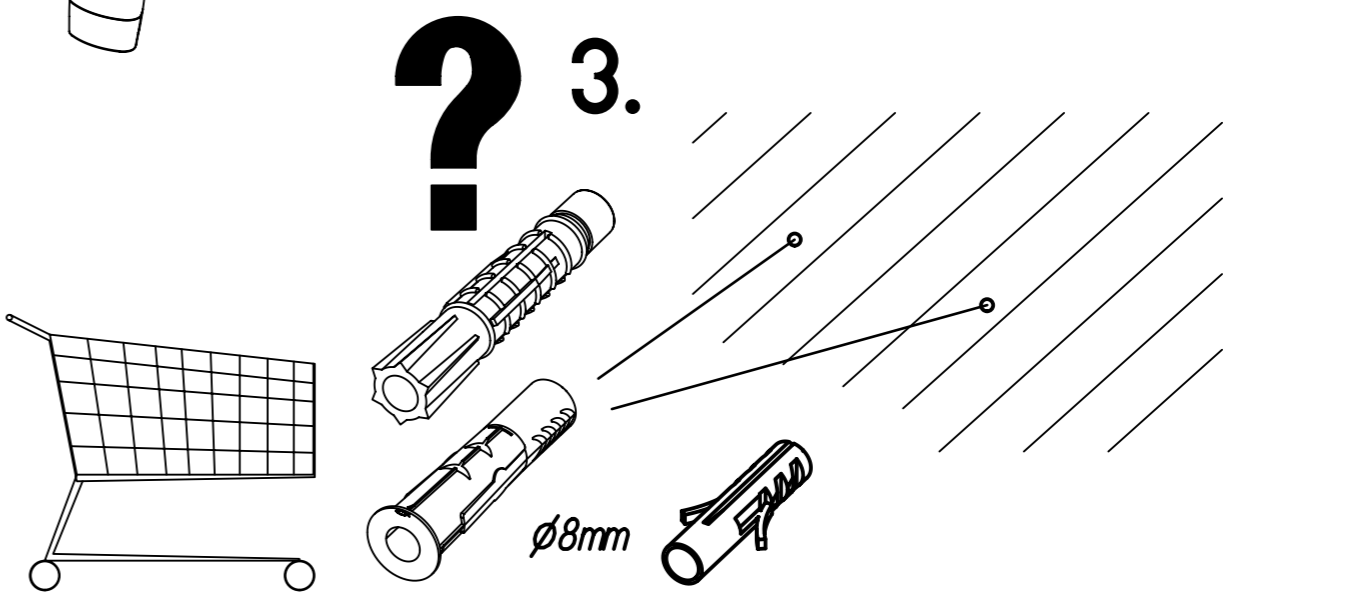
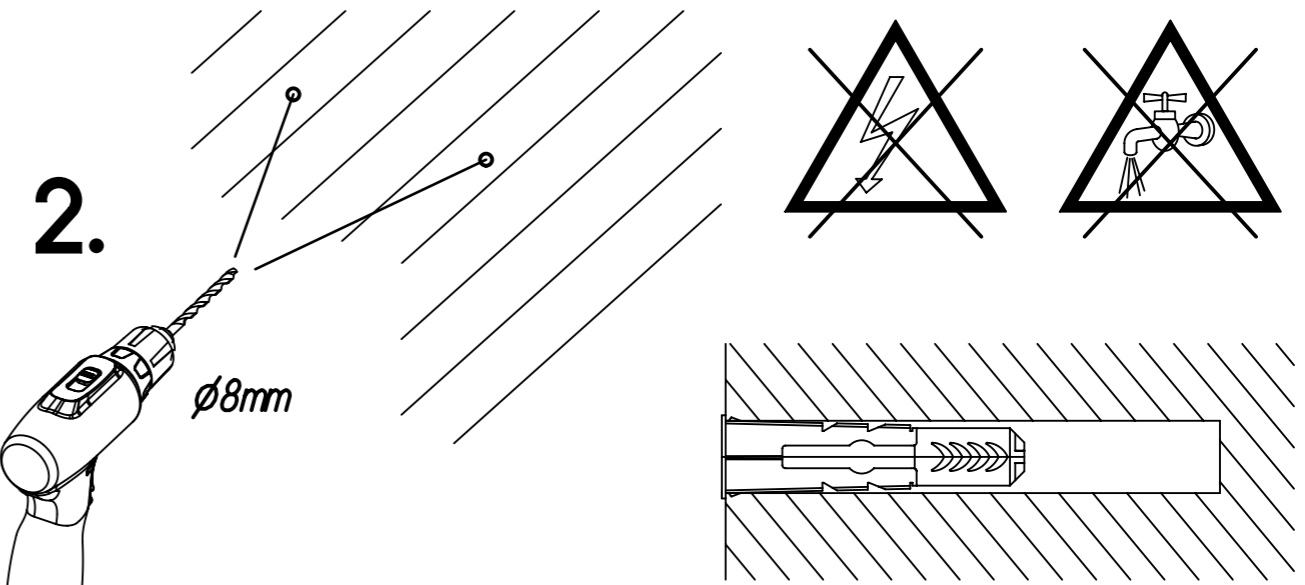
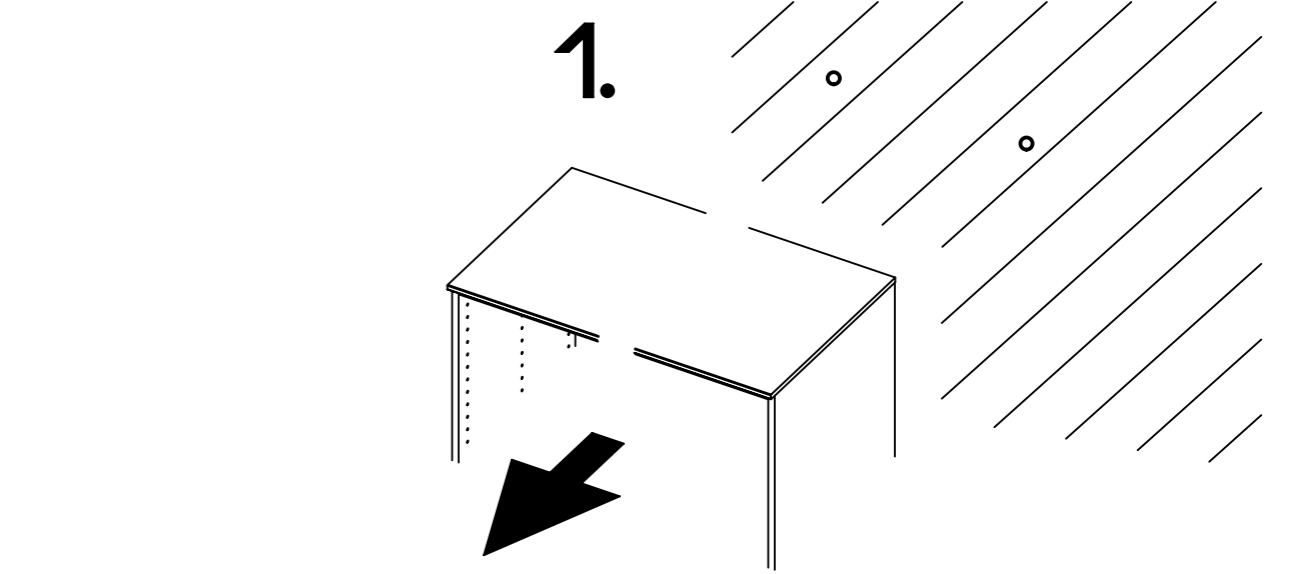
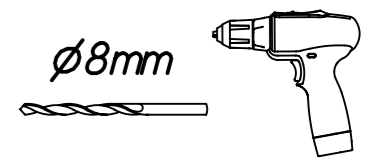


5x90



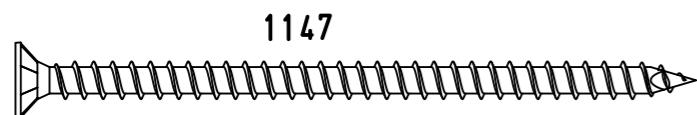
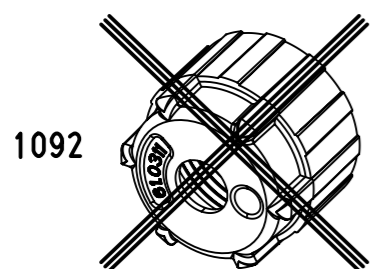
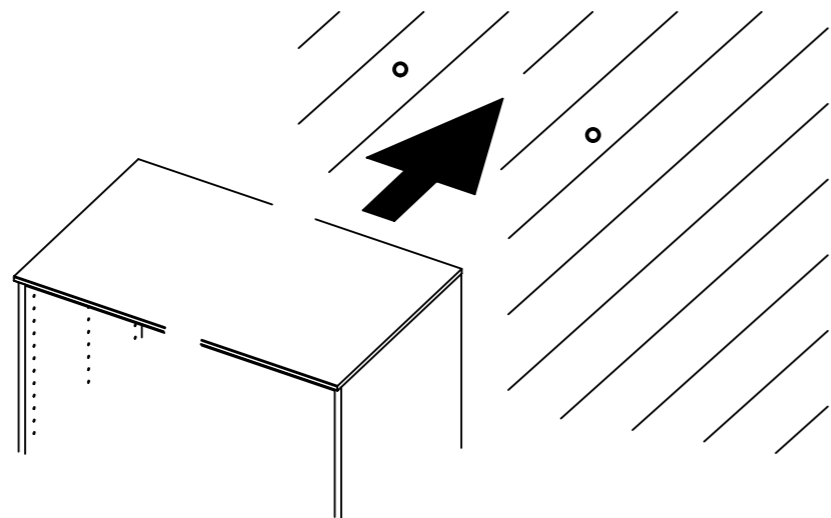
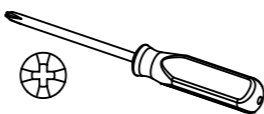
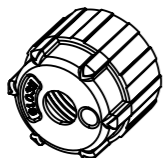
17

ø8mm

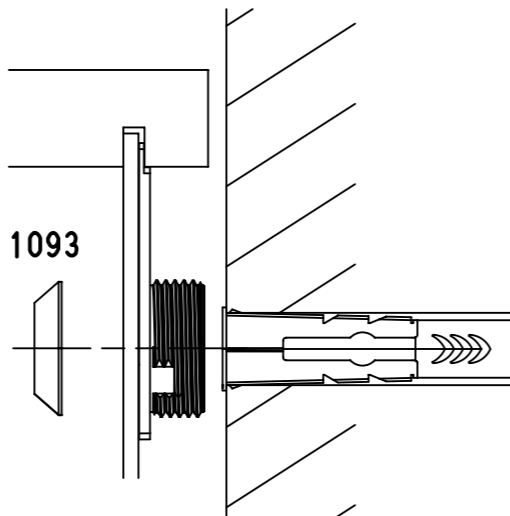


18

2x 1092



1093



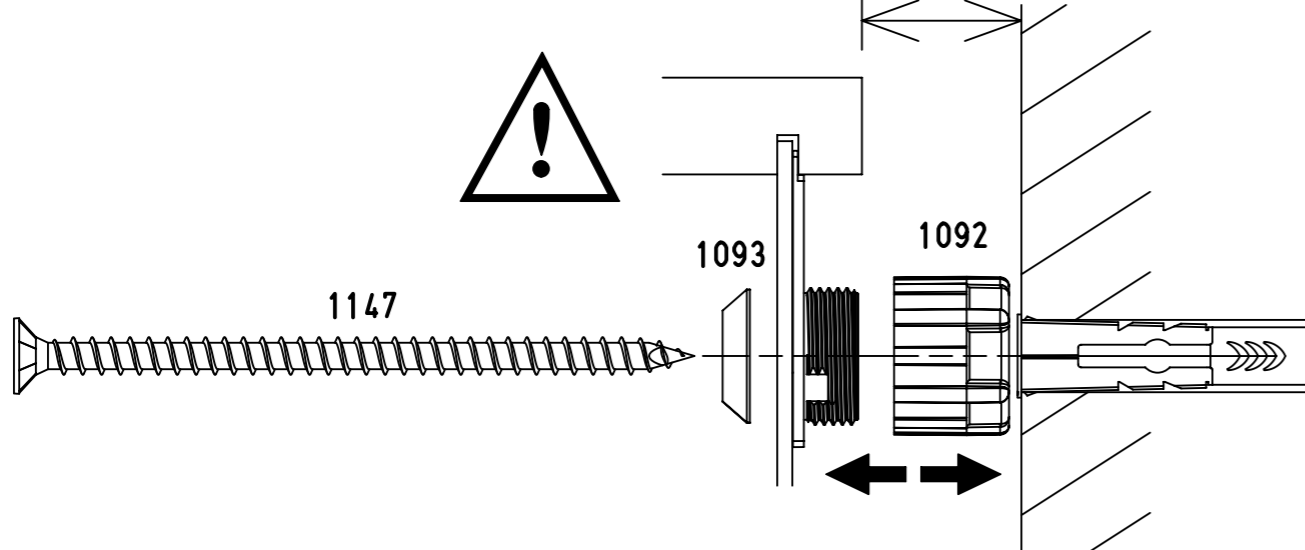
10-15mm



1147

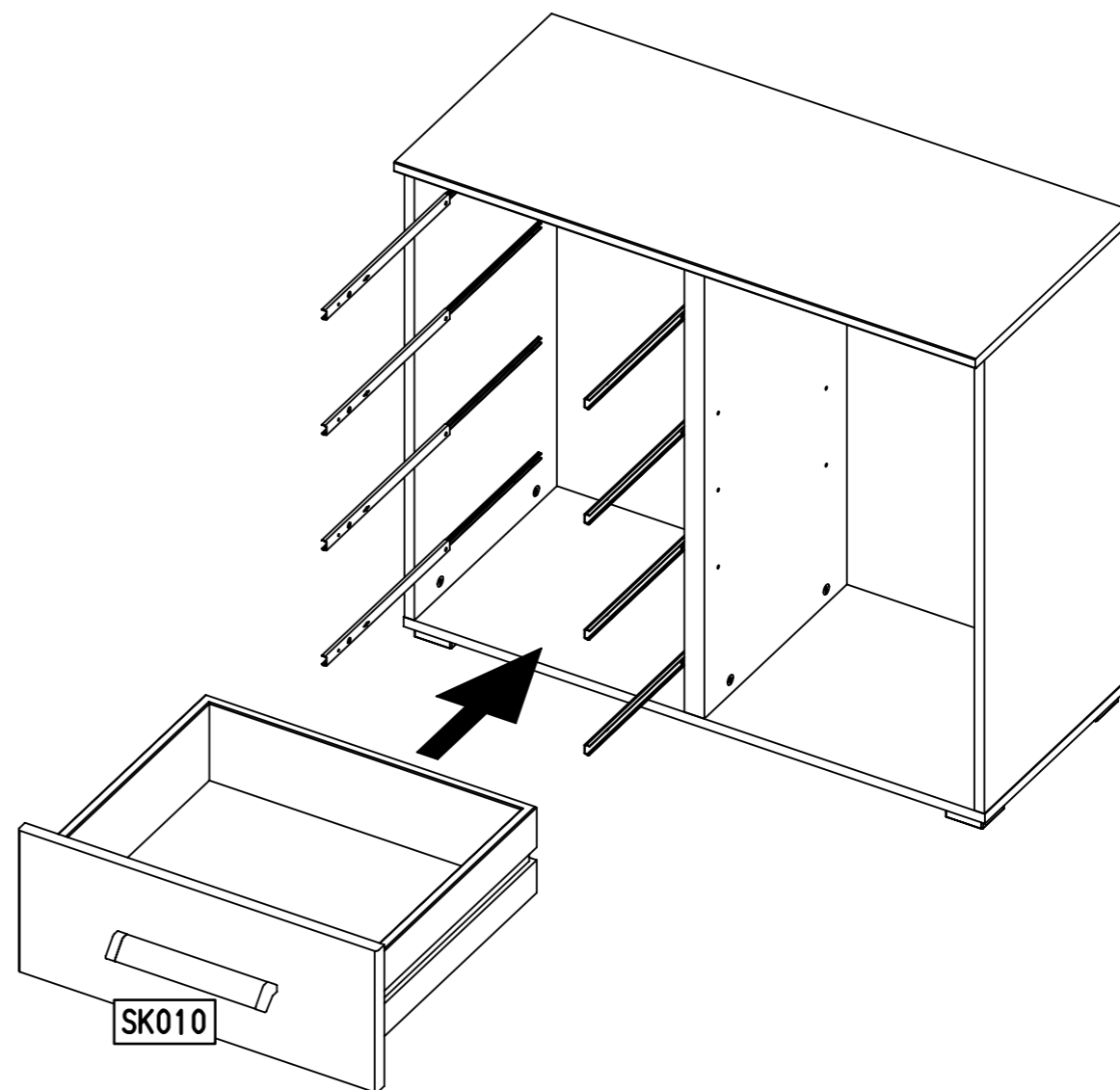
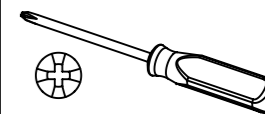
1093

1092



19

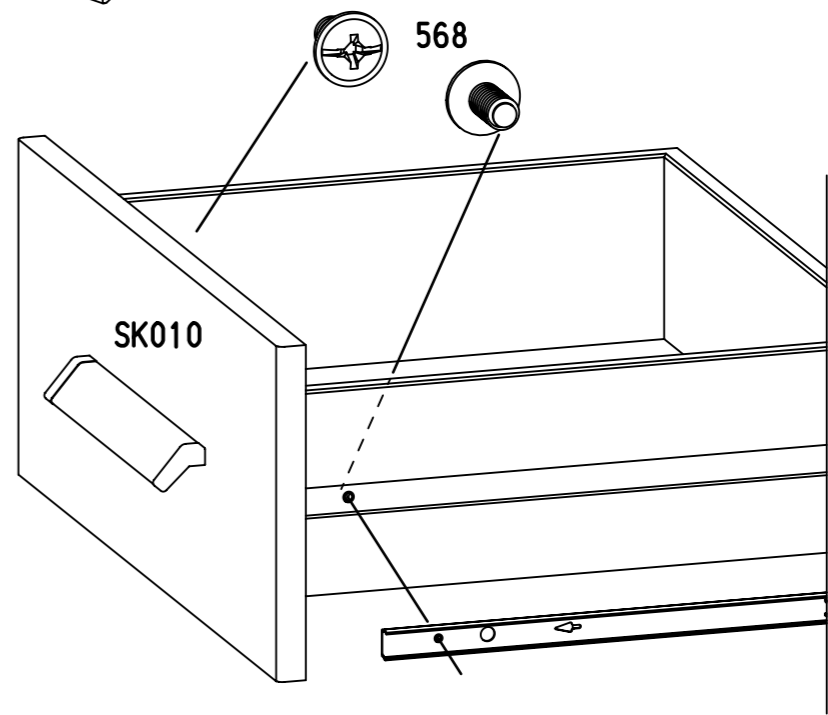
8x 568



SK010

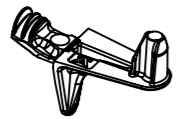
568

SK010

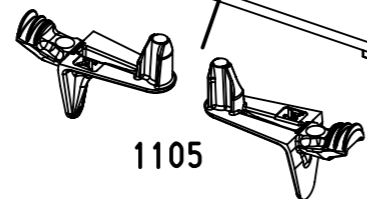
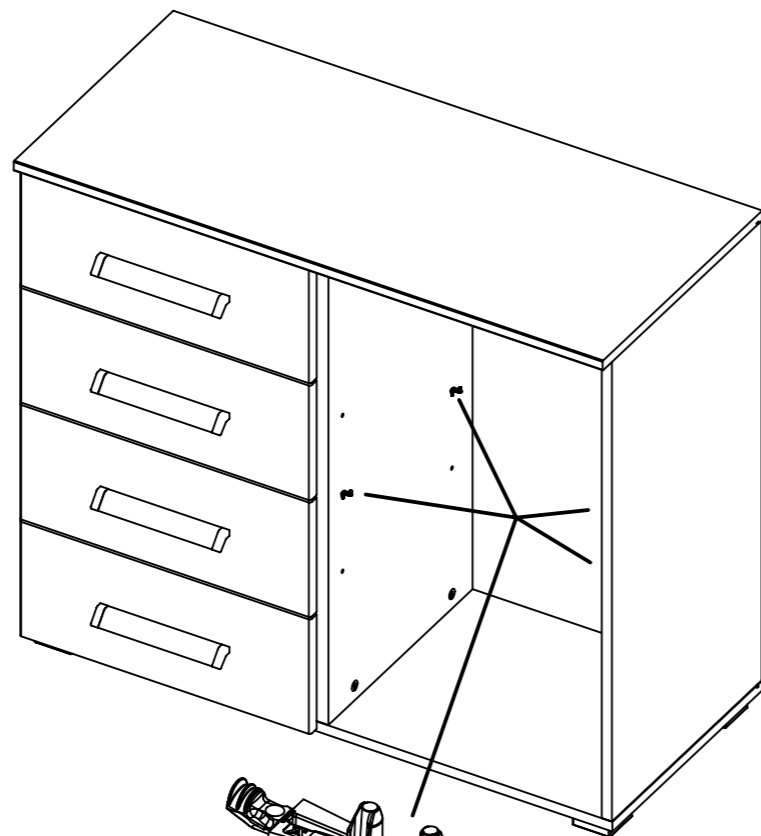


20

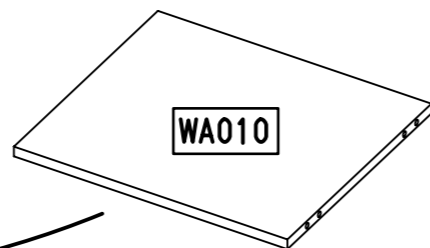
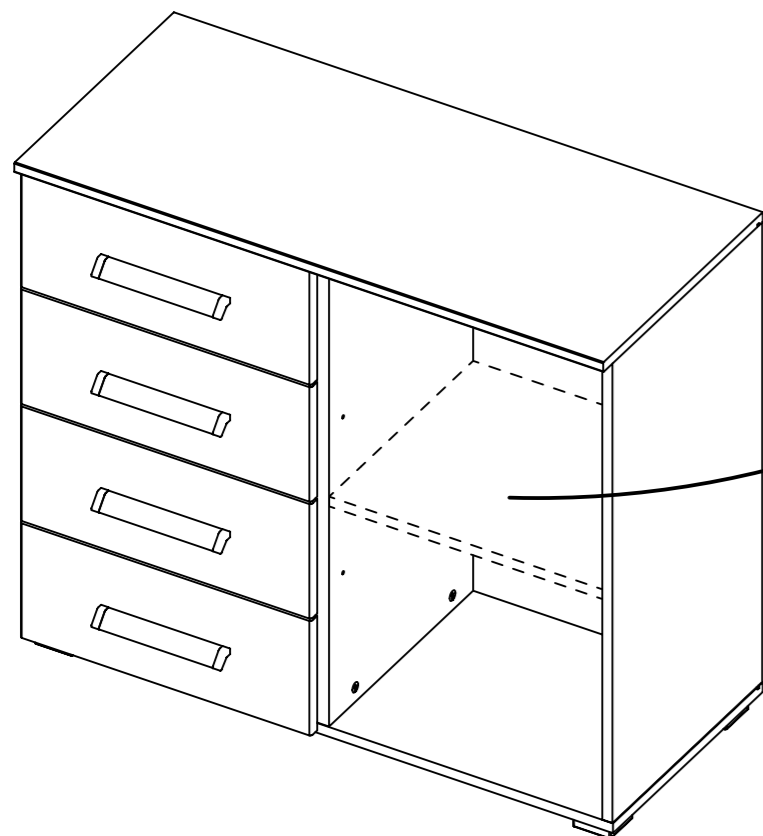
4x 1105



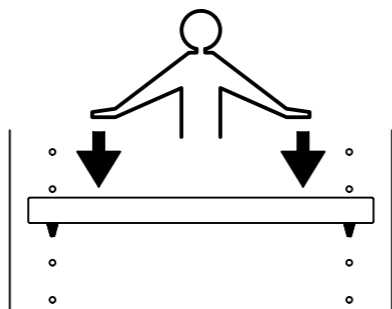
1105



1105

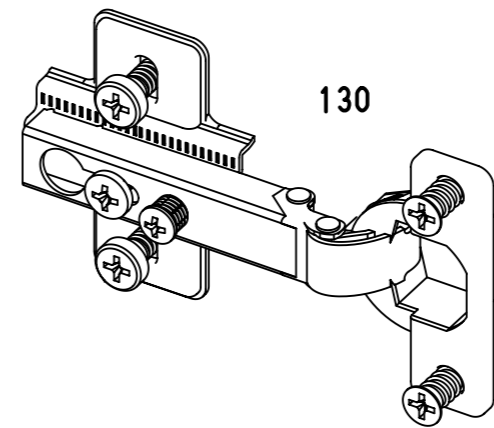
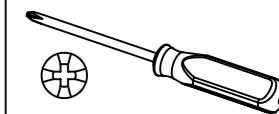
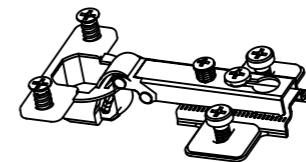


WA010

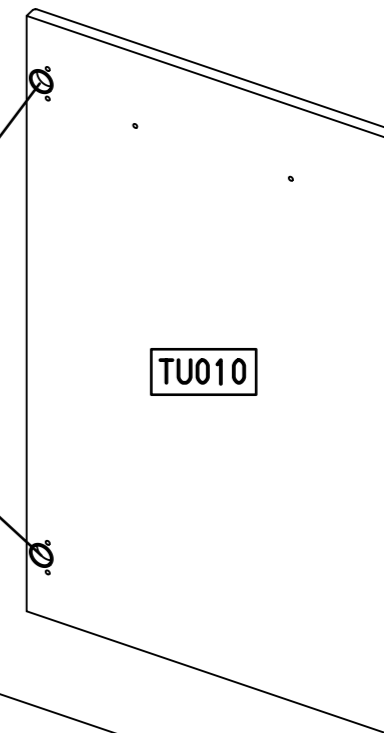


21

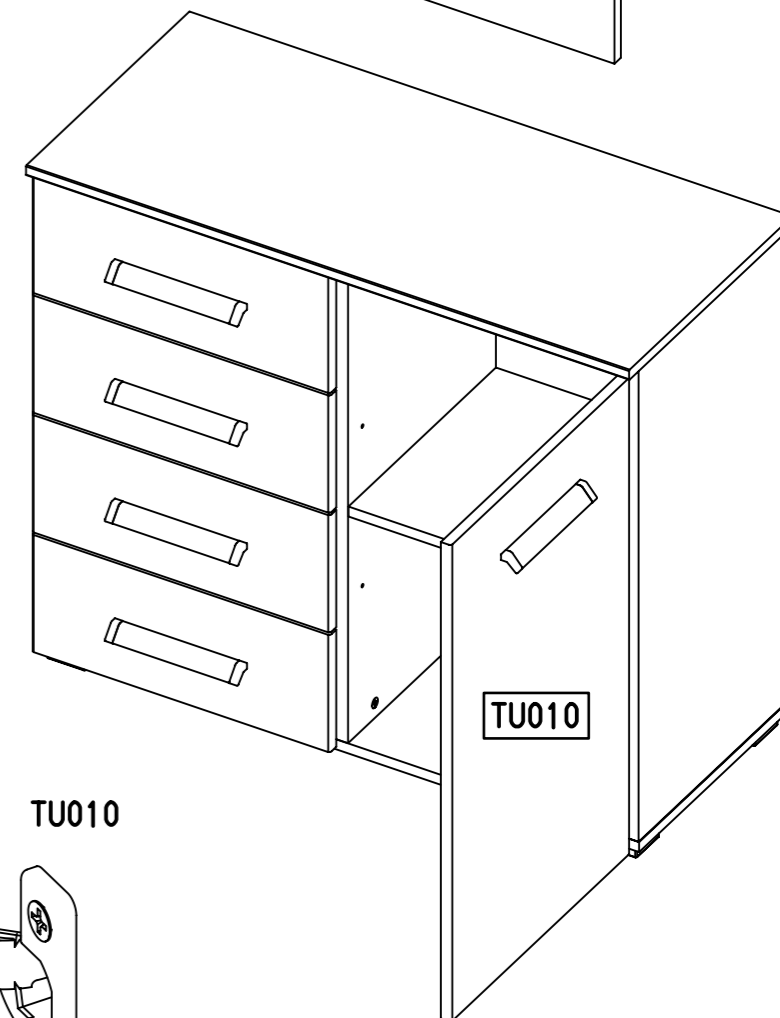
2x 130



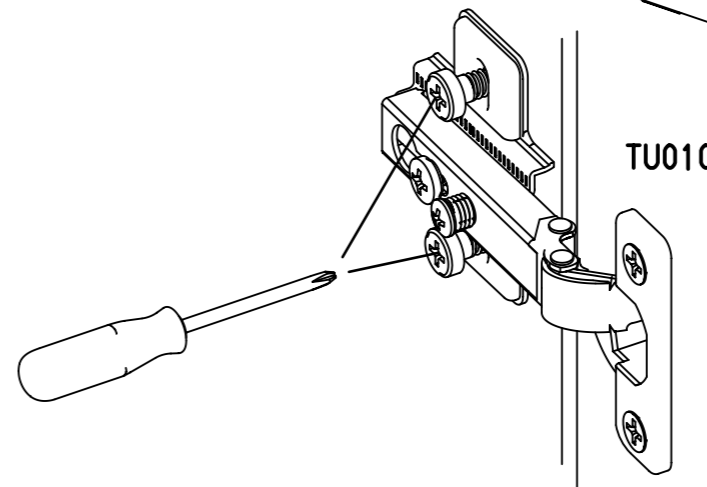
130



TU010



TU010



TU010

22

