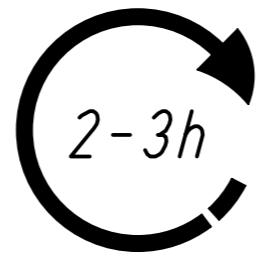
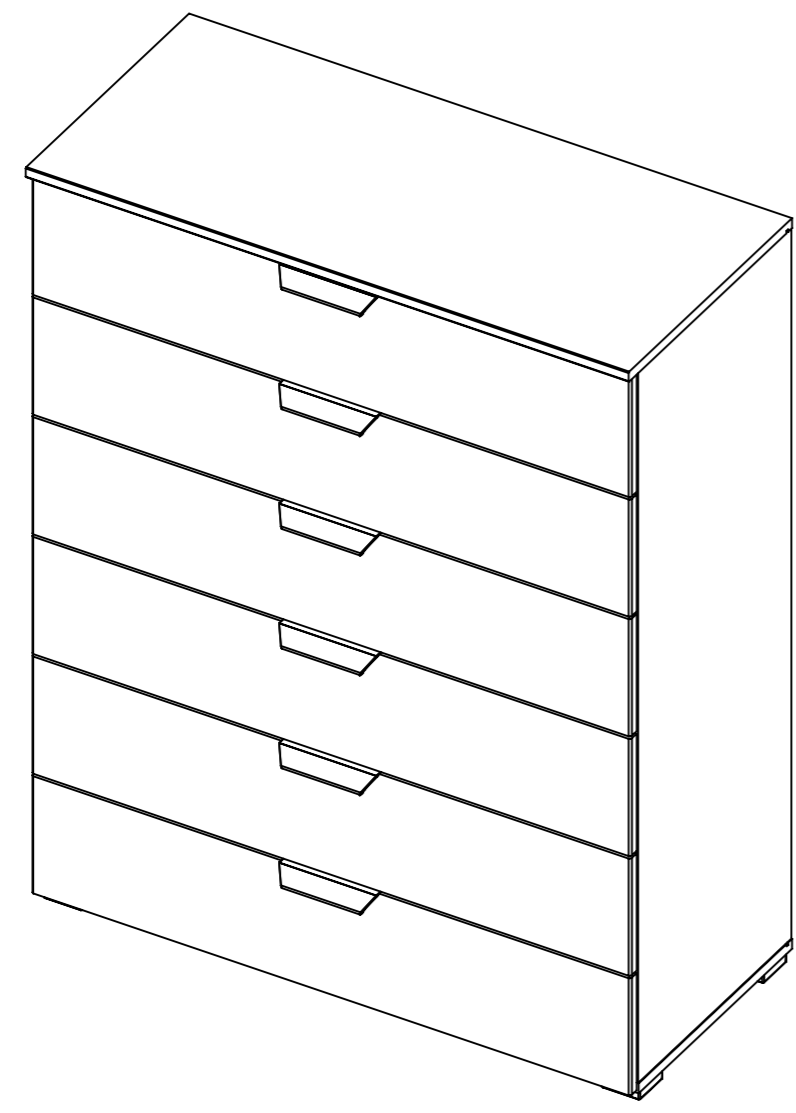
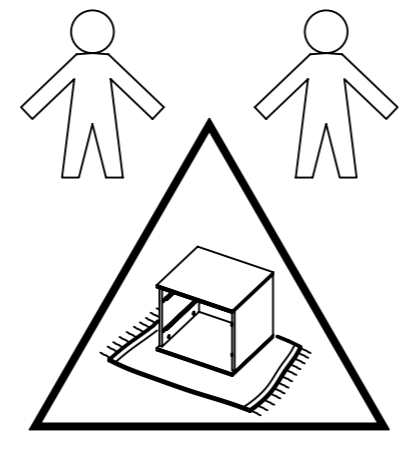
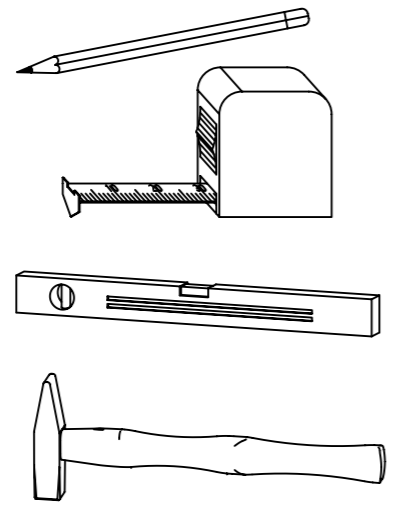
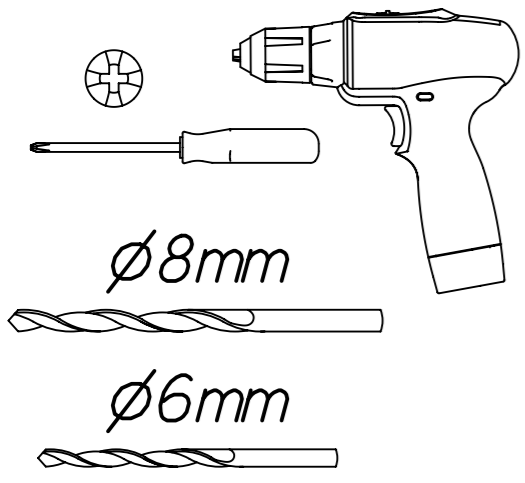


1.

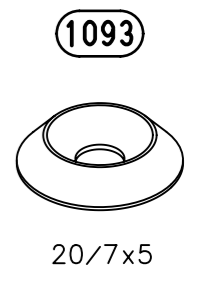
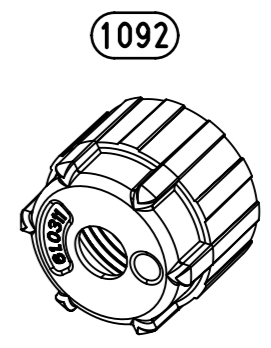
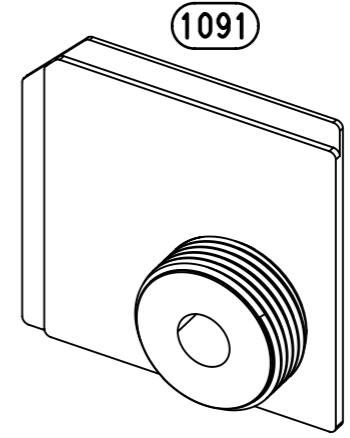
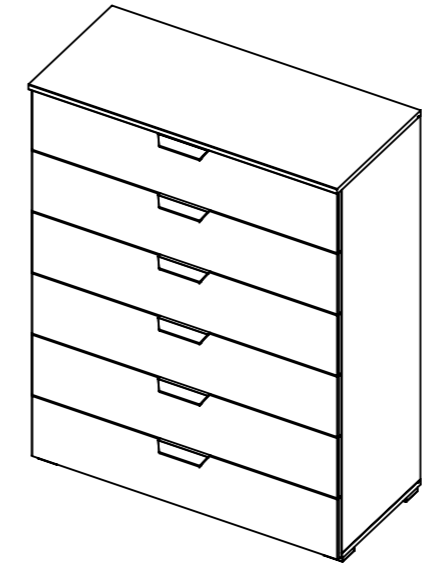
M2449_02

rauch

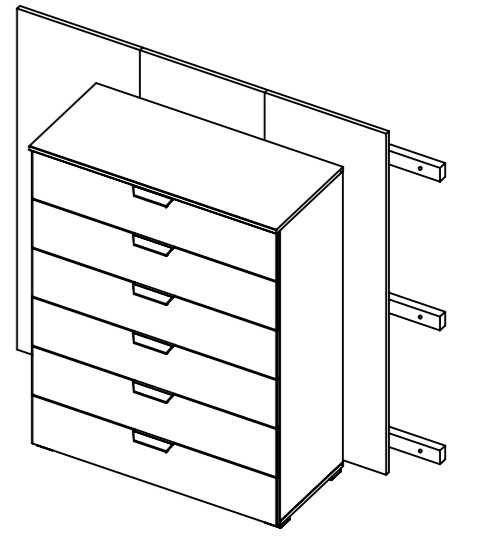
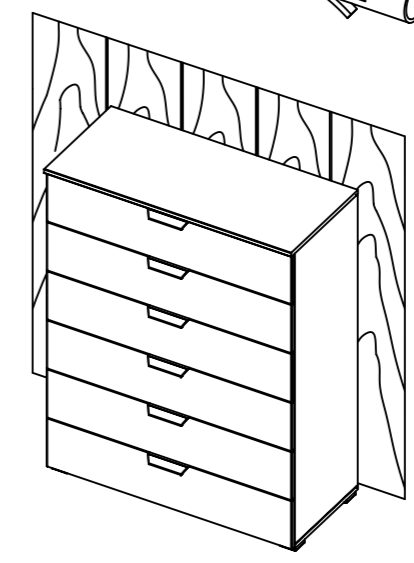
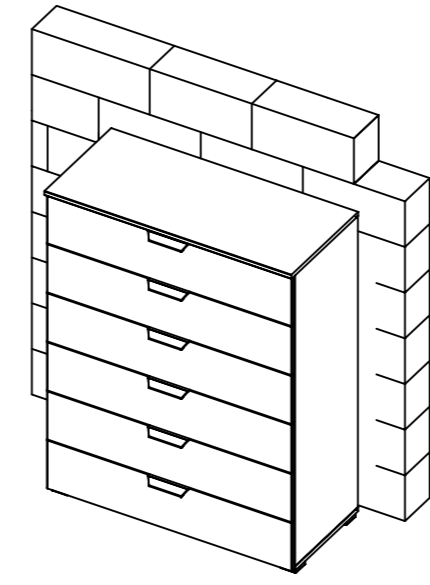
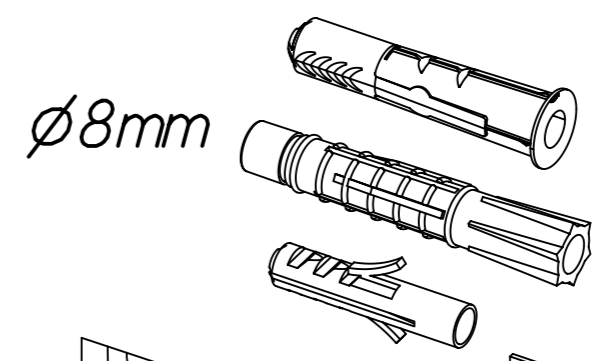
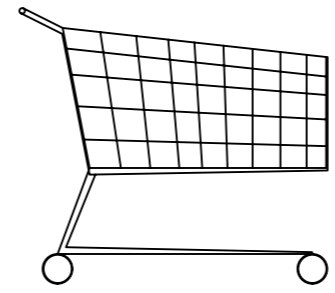
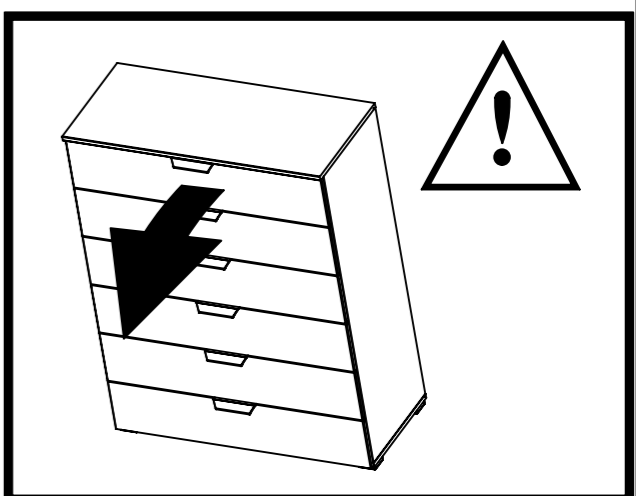
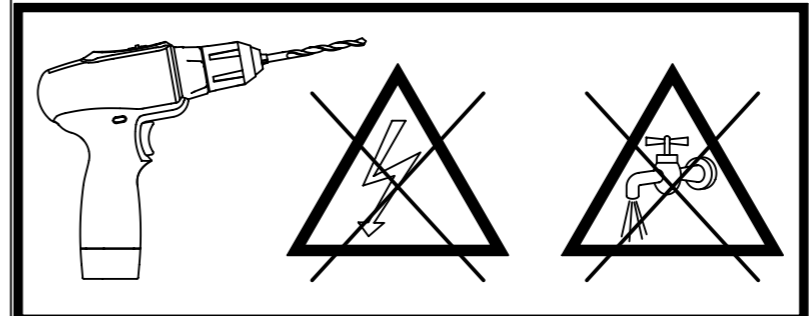
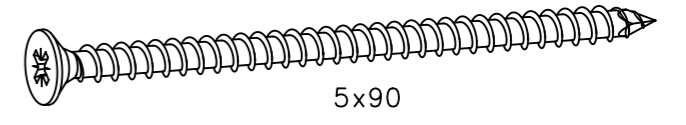


2.

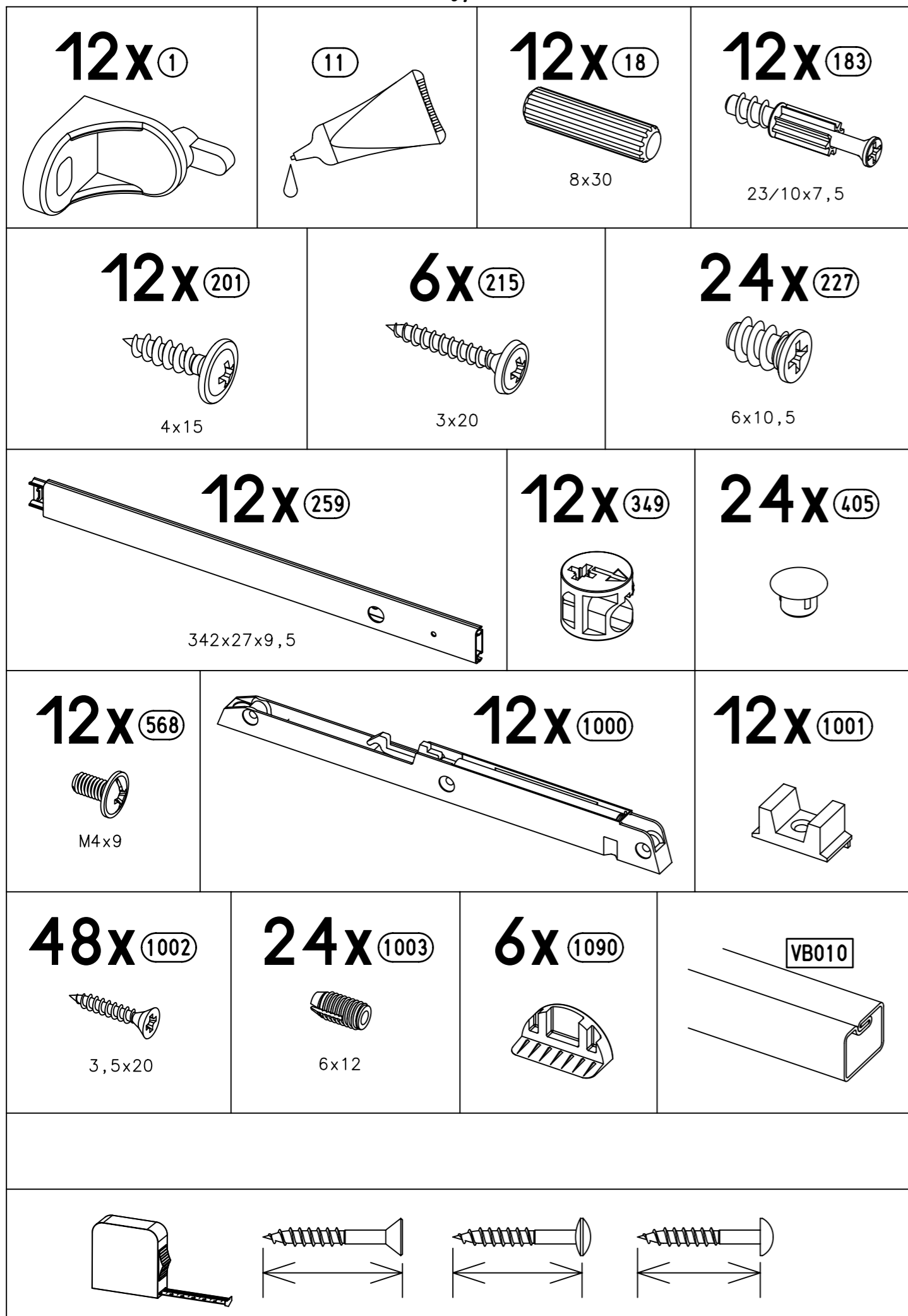
2x



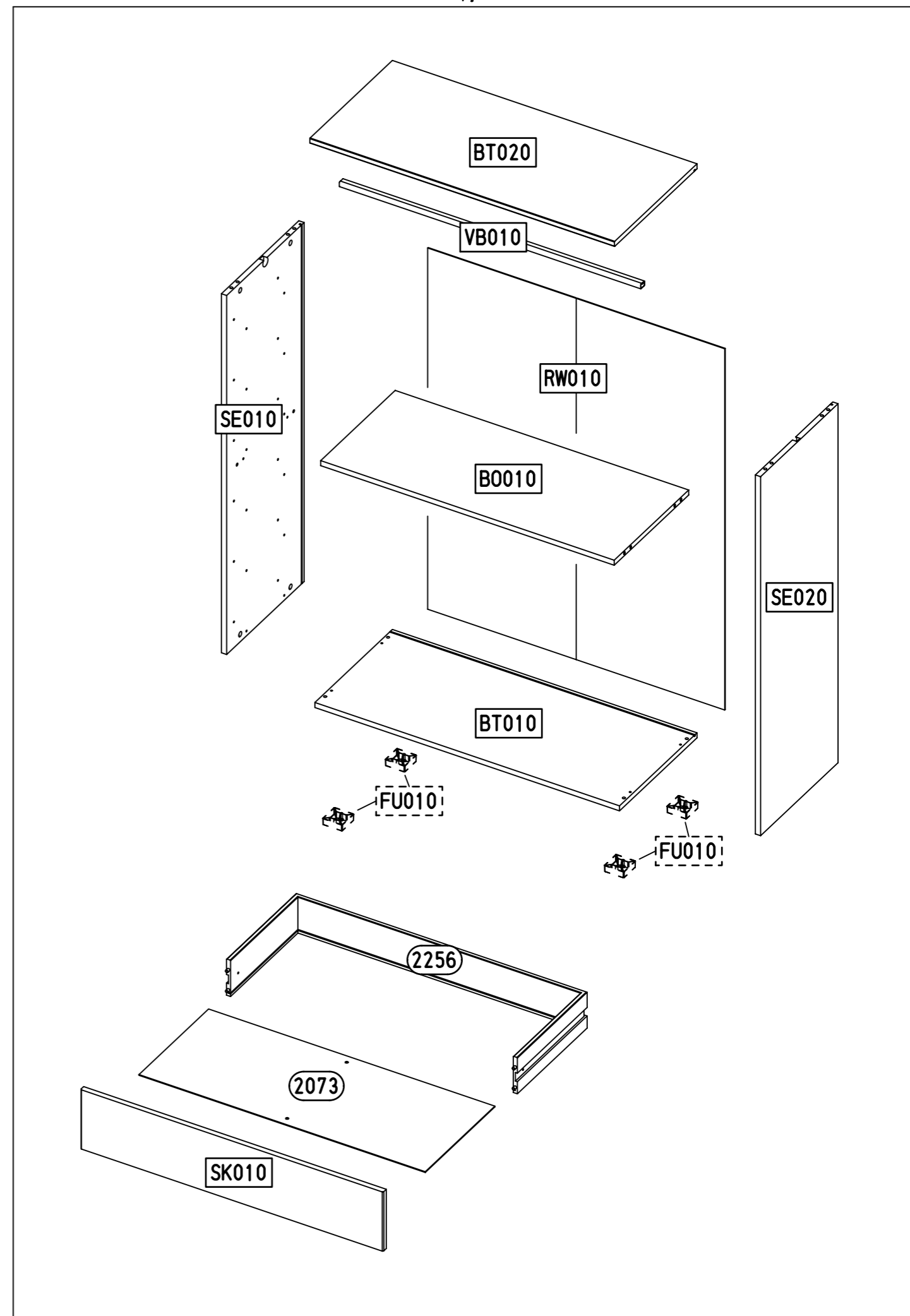
1147



3.



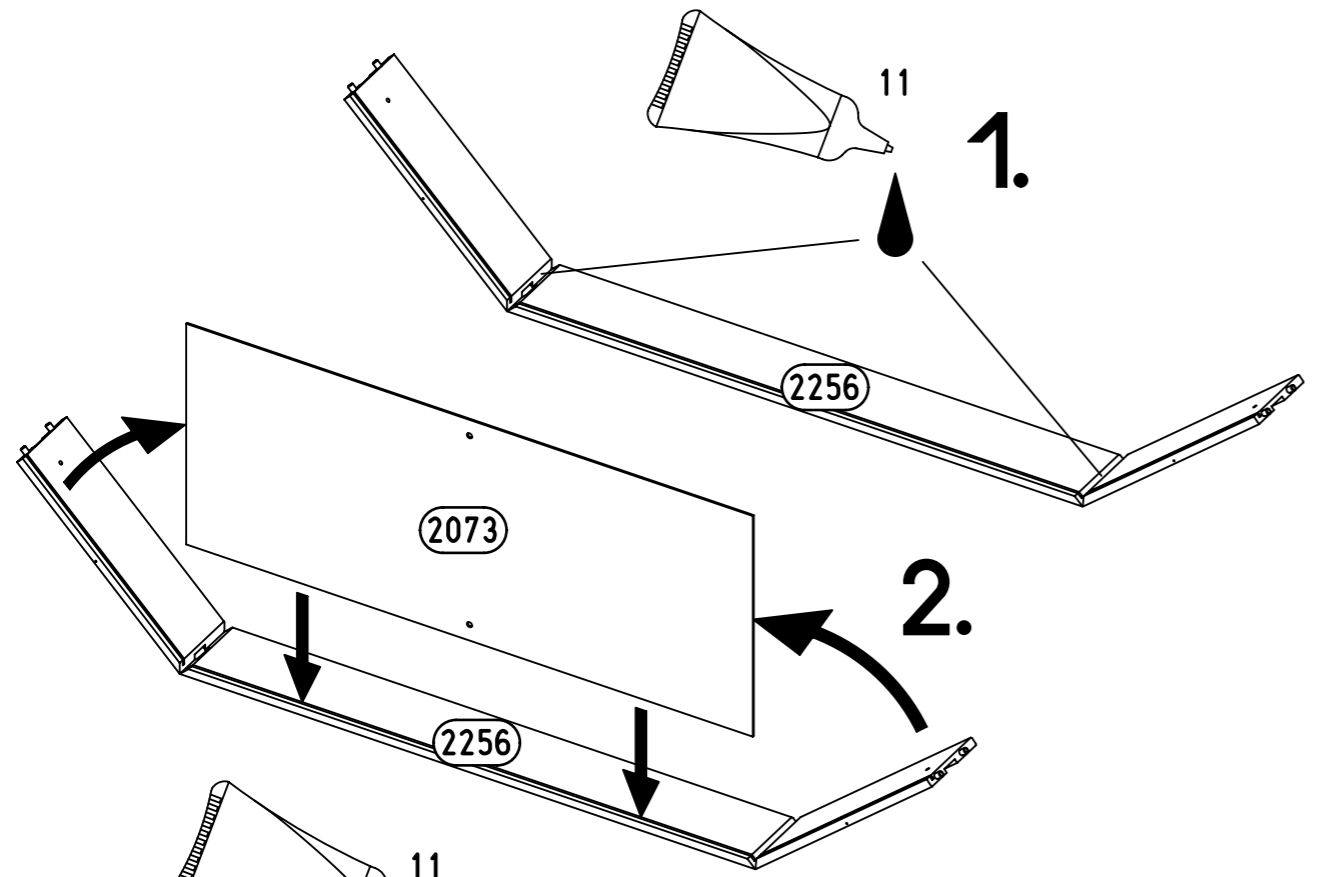
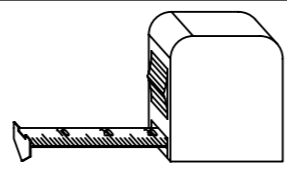
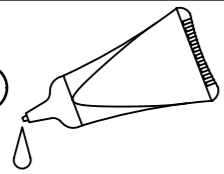
4.



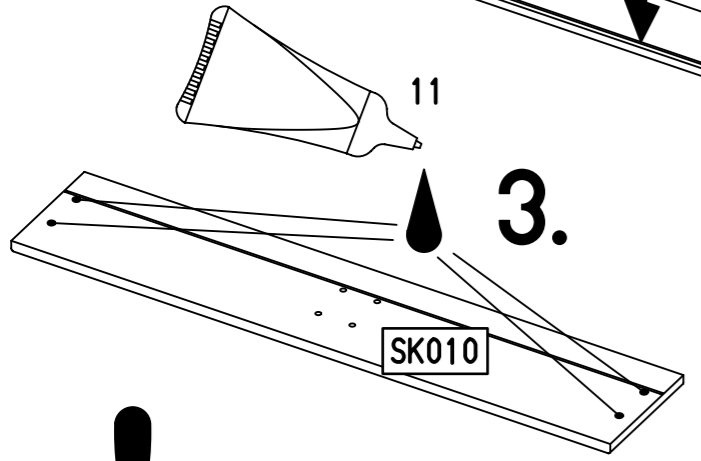
5.

1

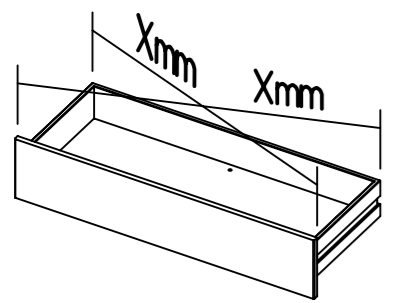
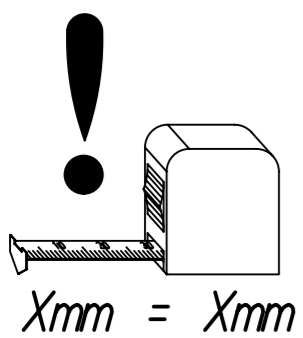
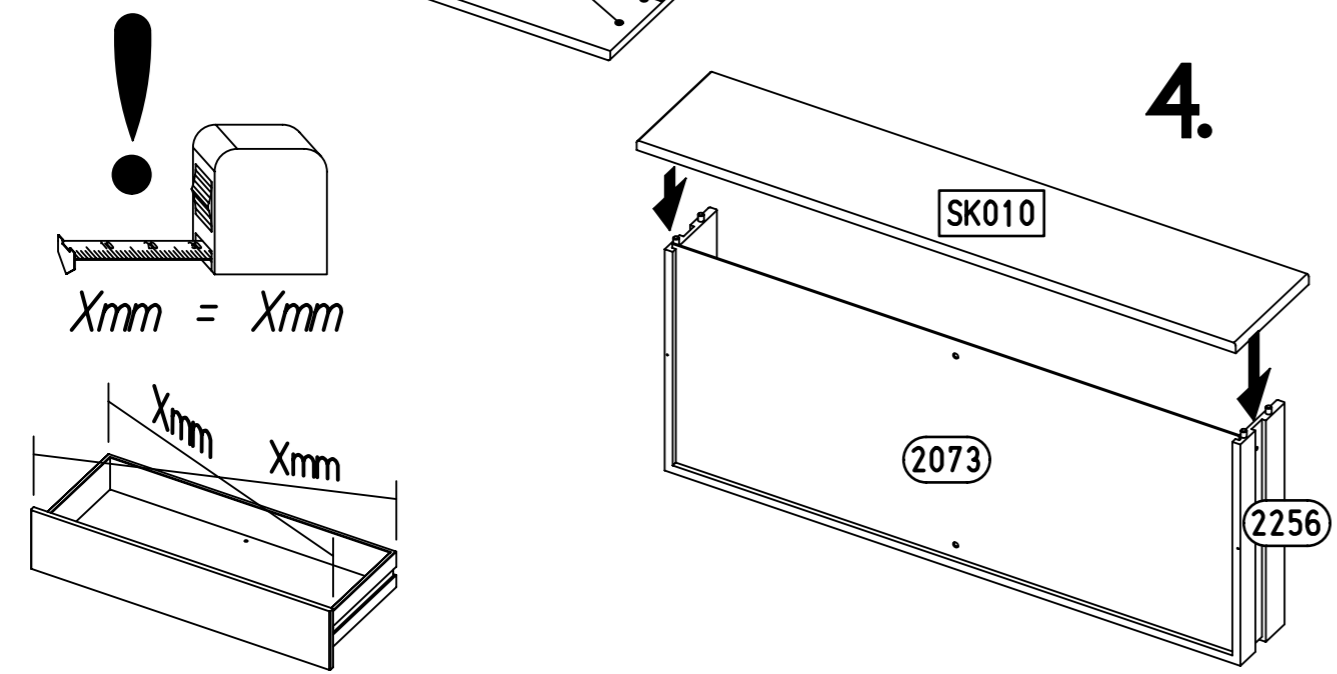
11



2.



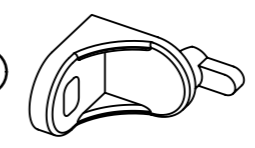
3.



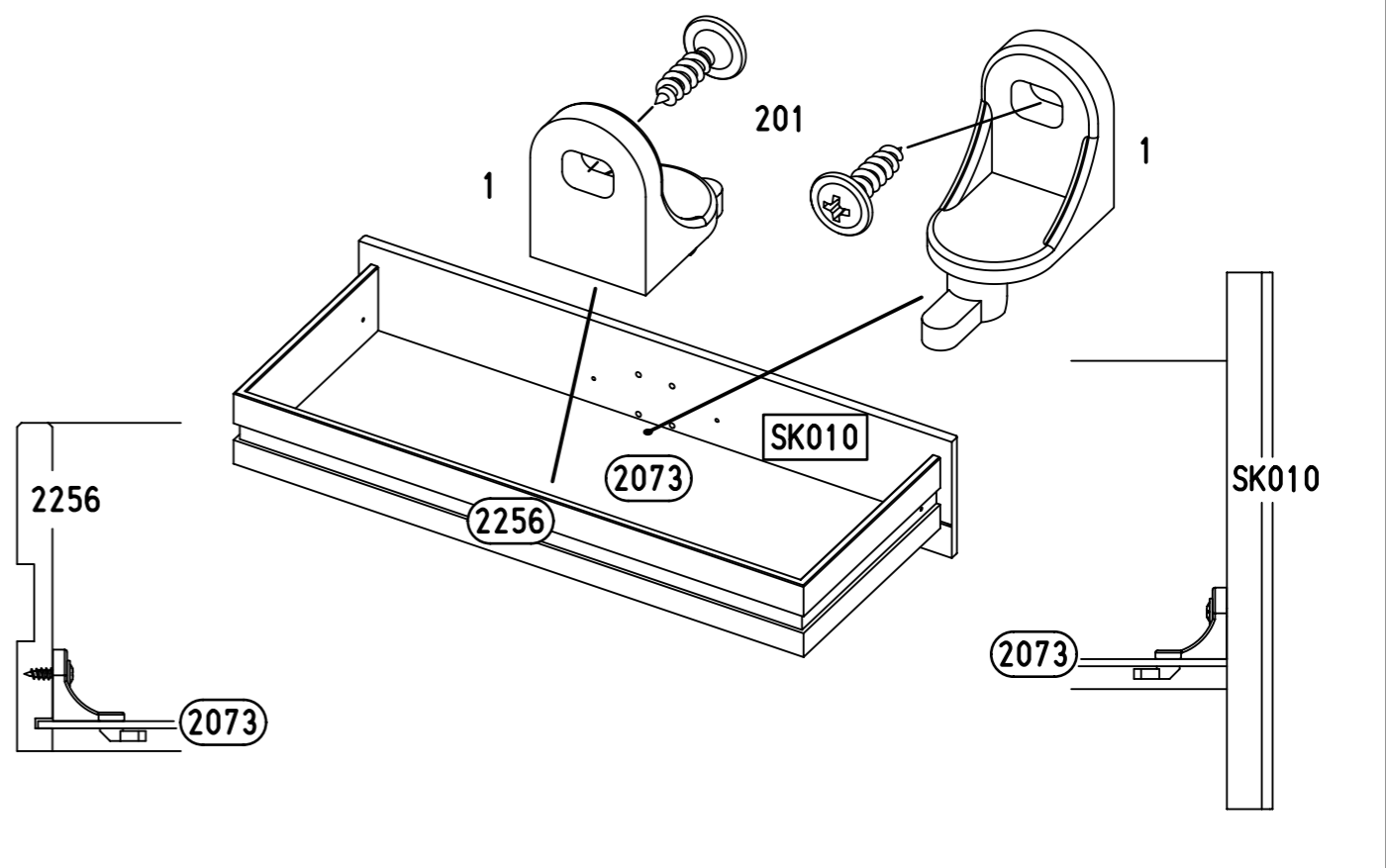
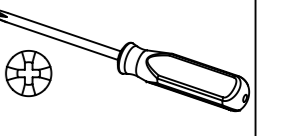
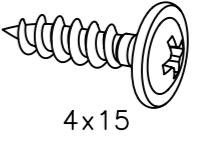
6.

2

12x 1

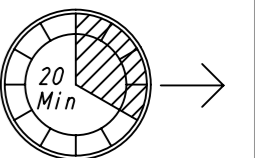
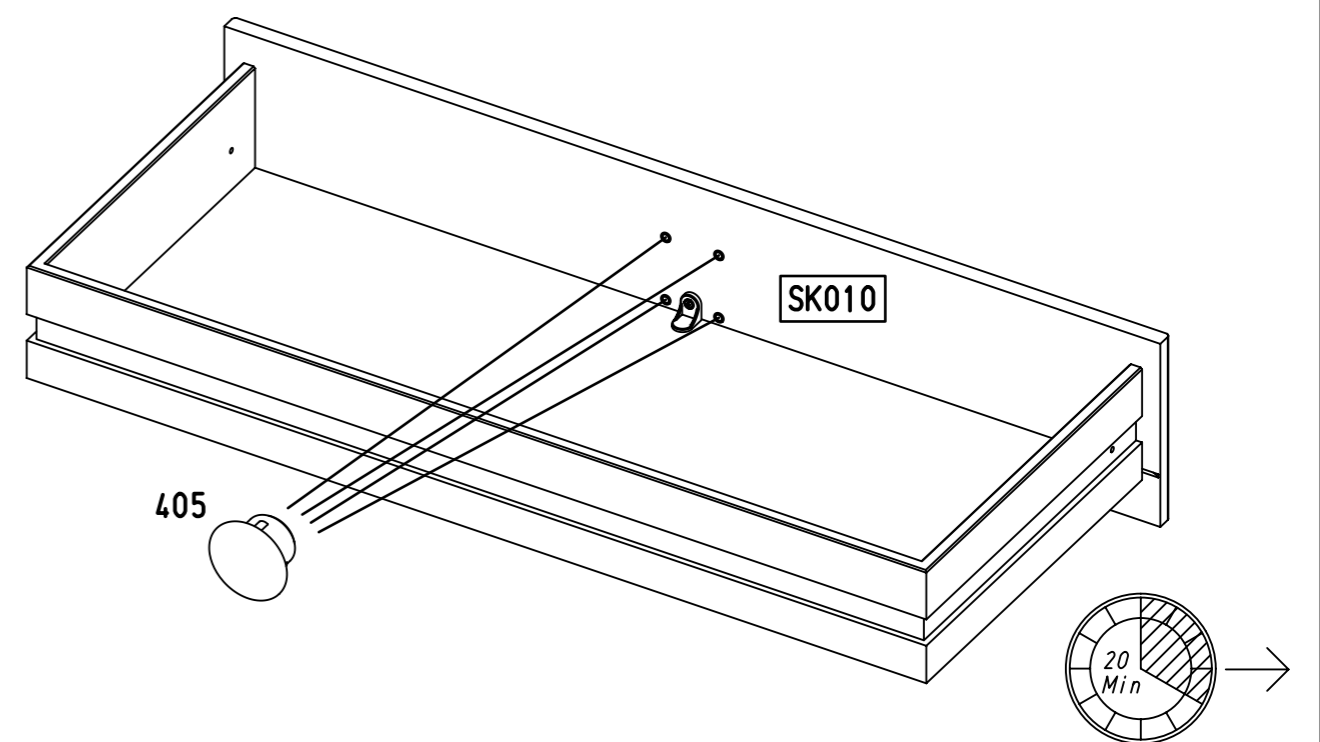
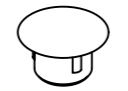


12x 201

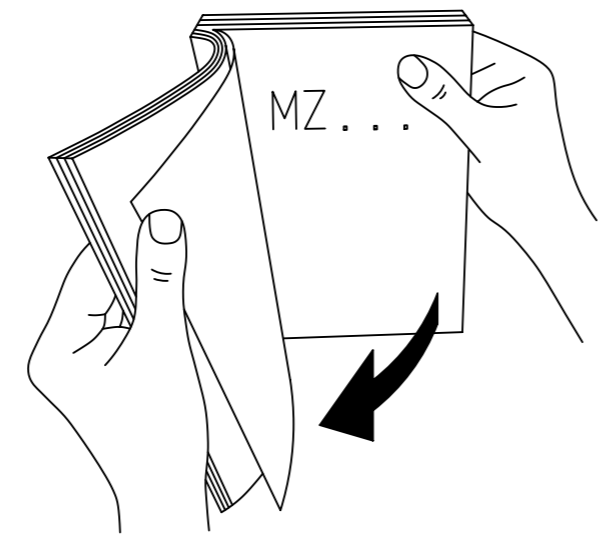
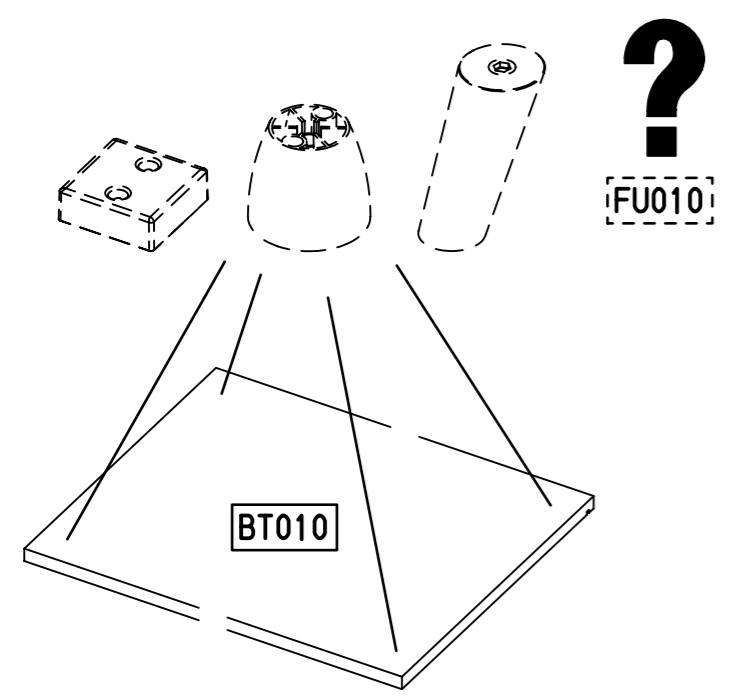
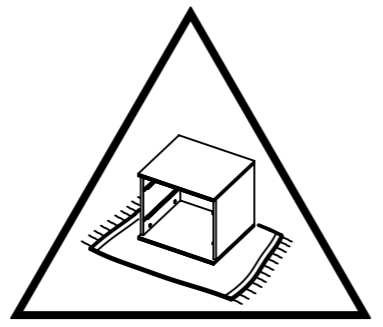
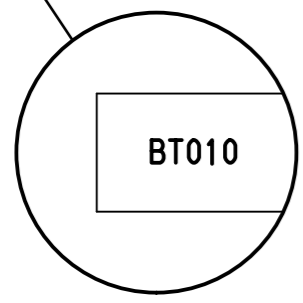
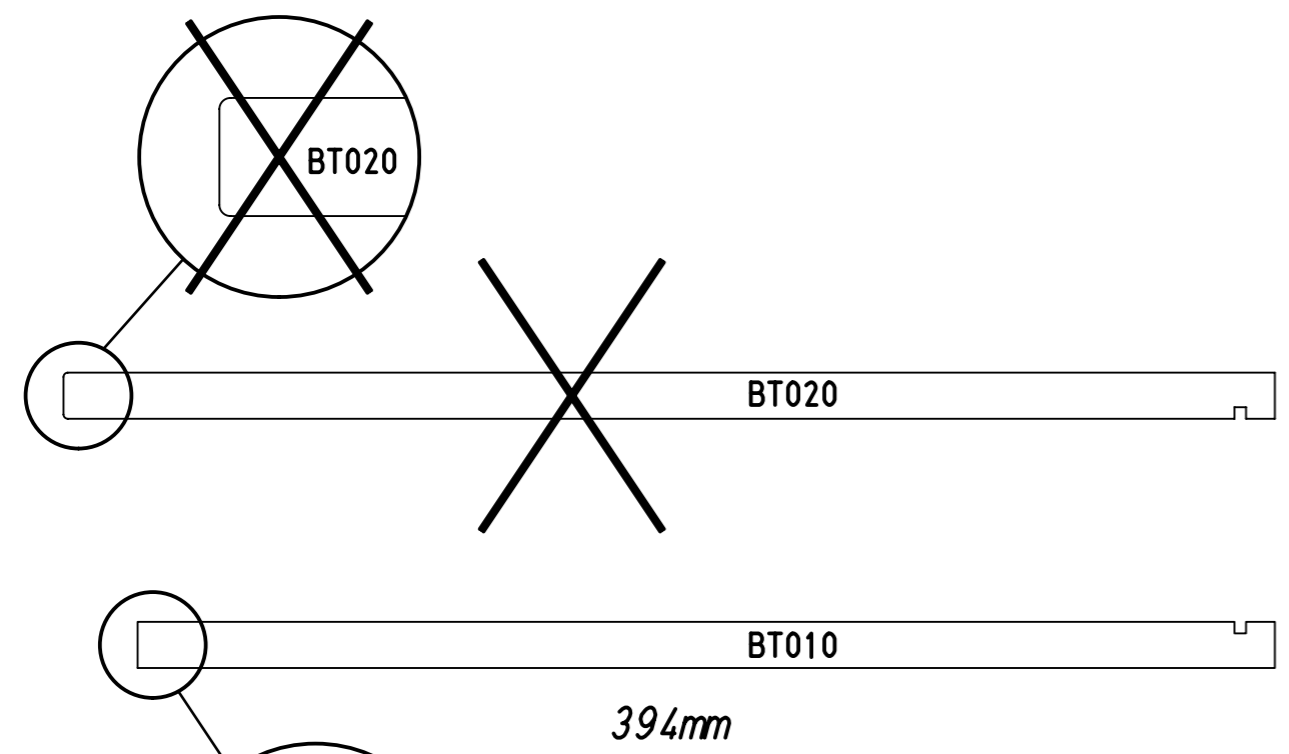


3

24x 405



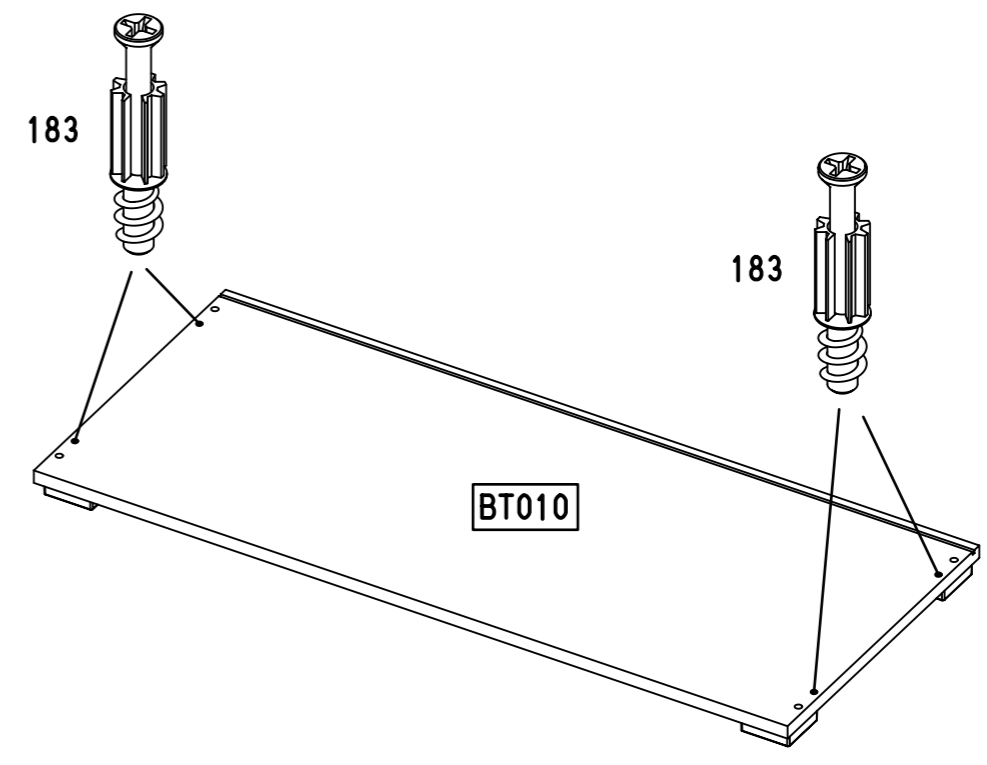
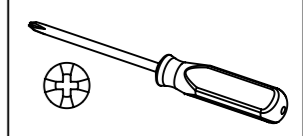
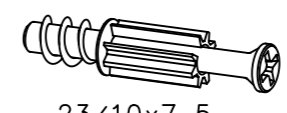
4



5

4x 183

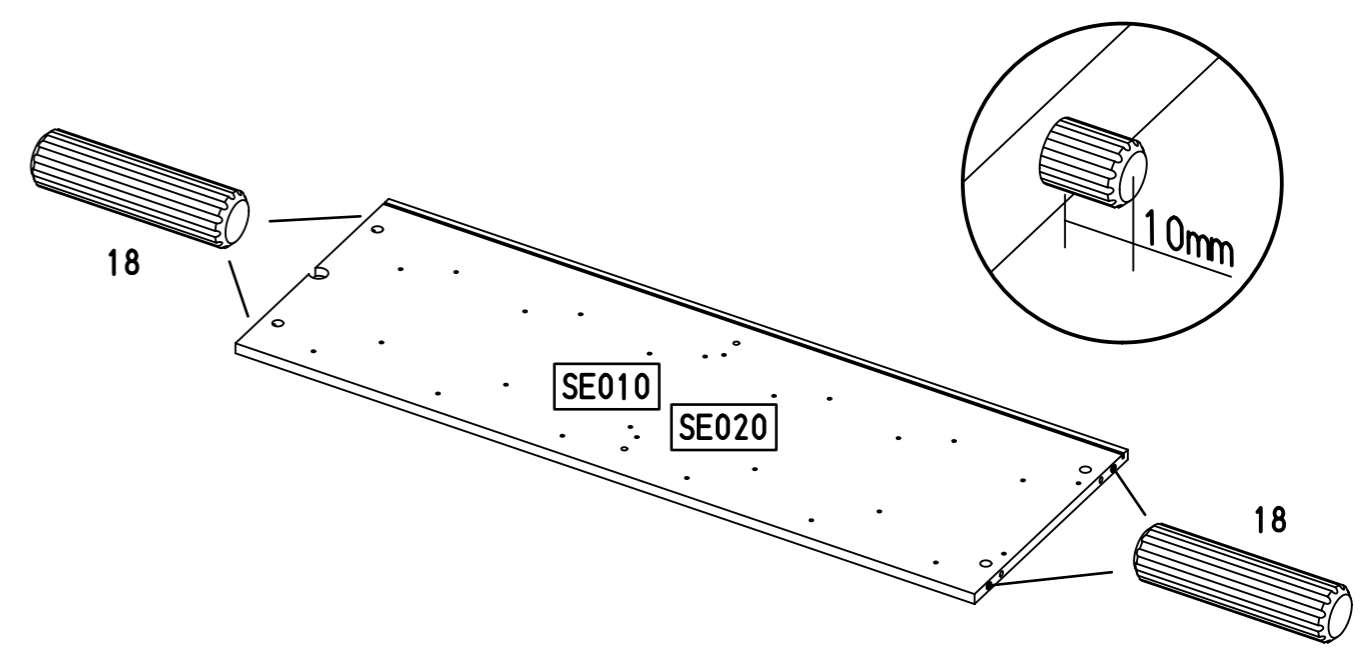
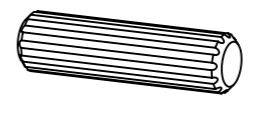
23/10x7,5



6

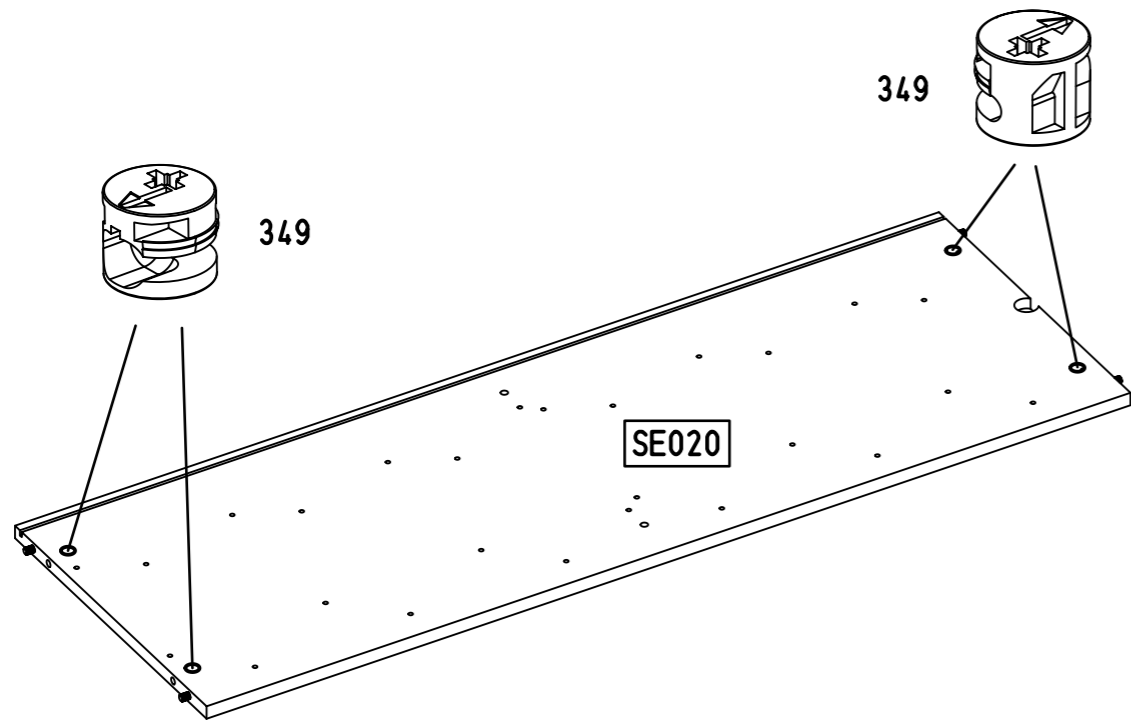
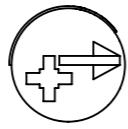
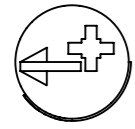
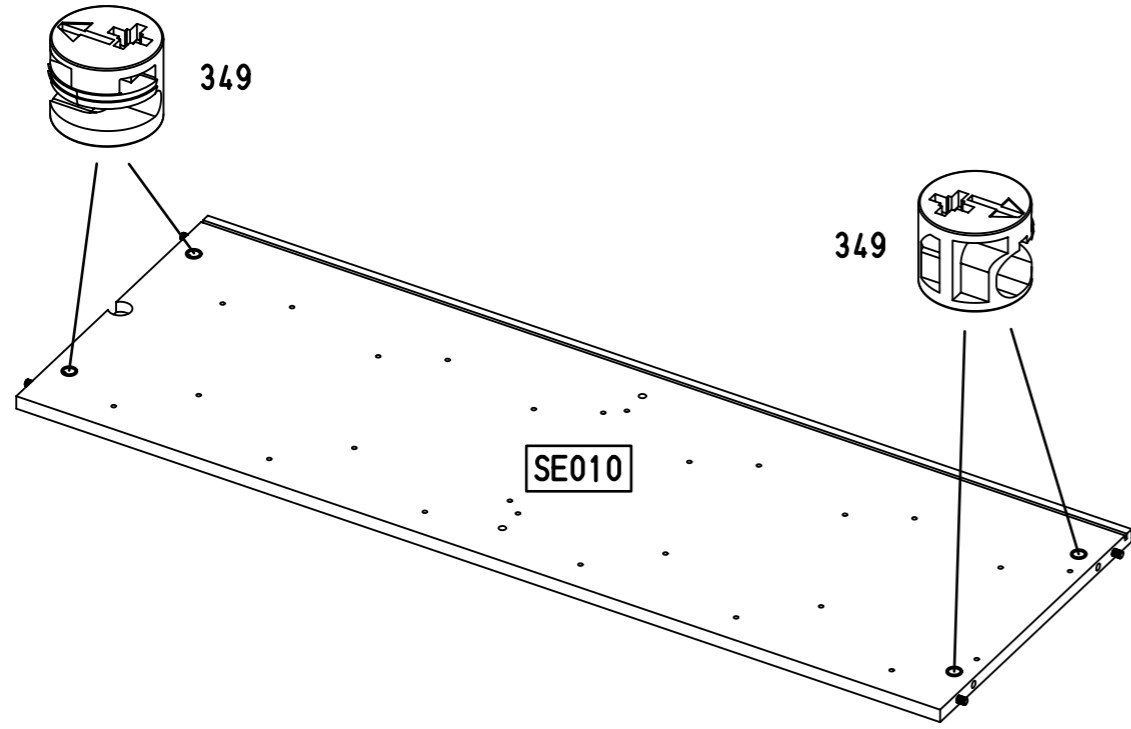
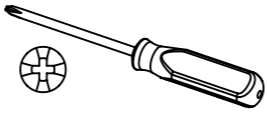
8x 18

8x30



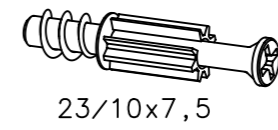
7

8x 349

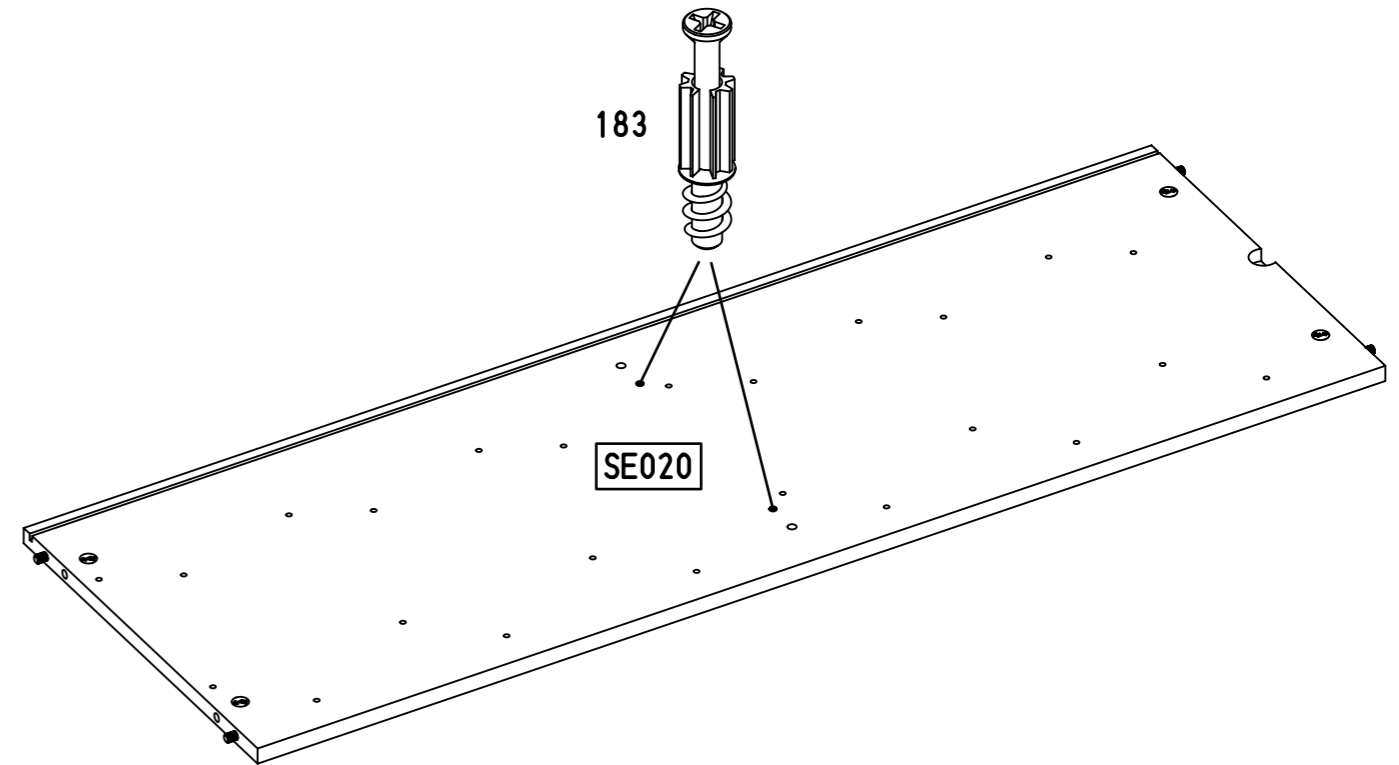
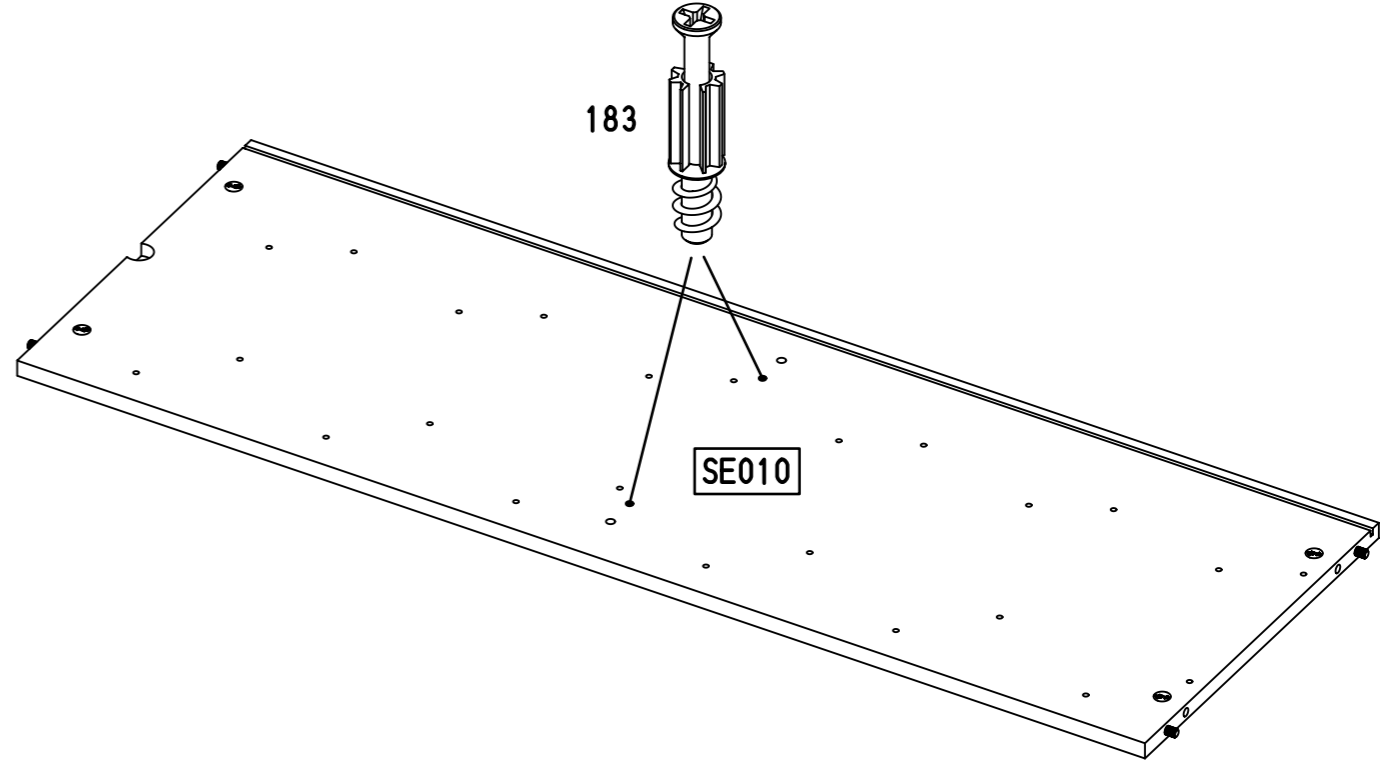
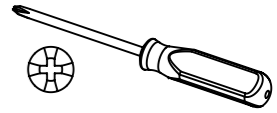


8

4x 183

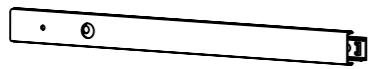


23/10x7,5



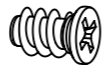
9

6x 259

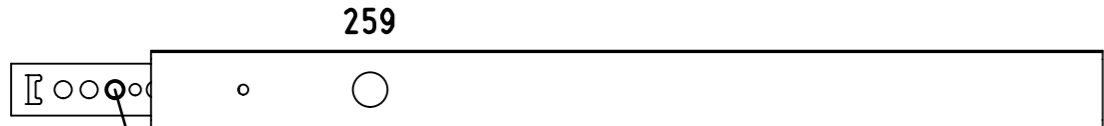
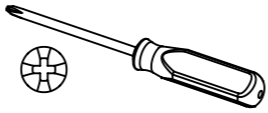


342x27x9,5

12x 227



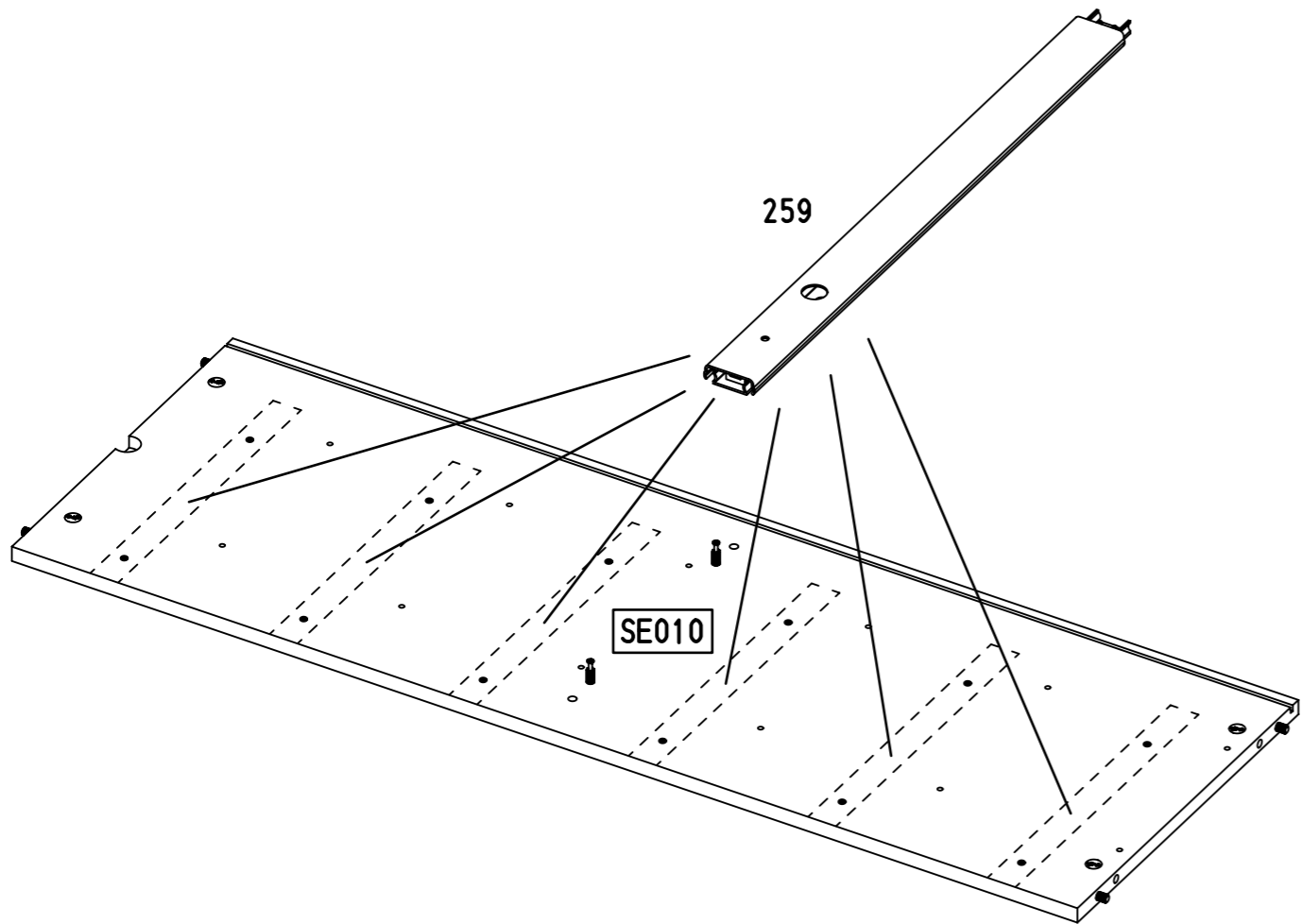
6x10,5



1.

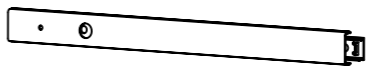


2.



10

6x 259

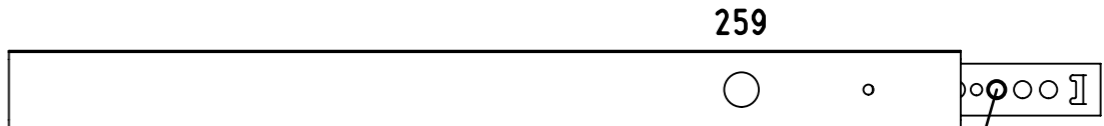
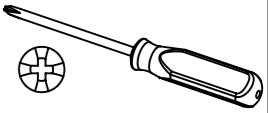


342x27x9,5

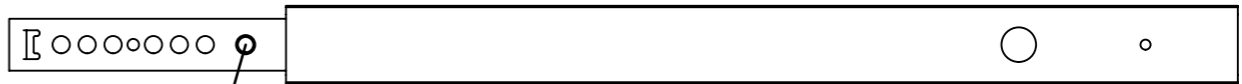
12x 227



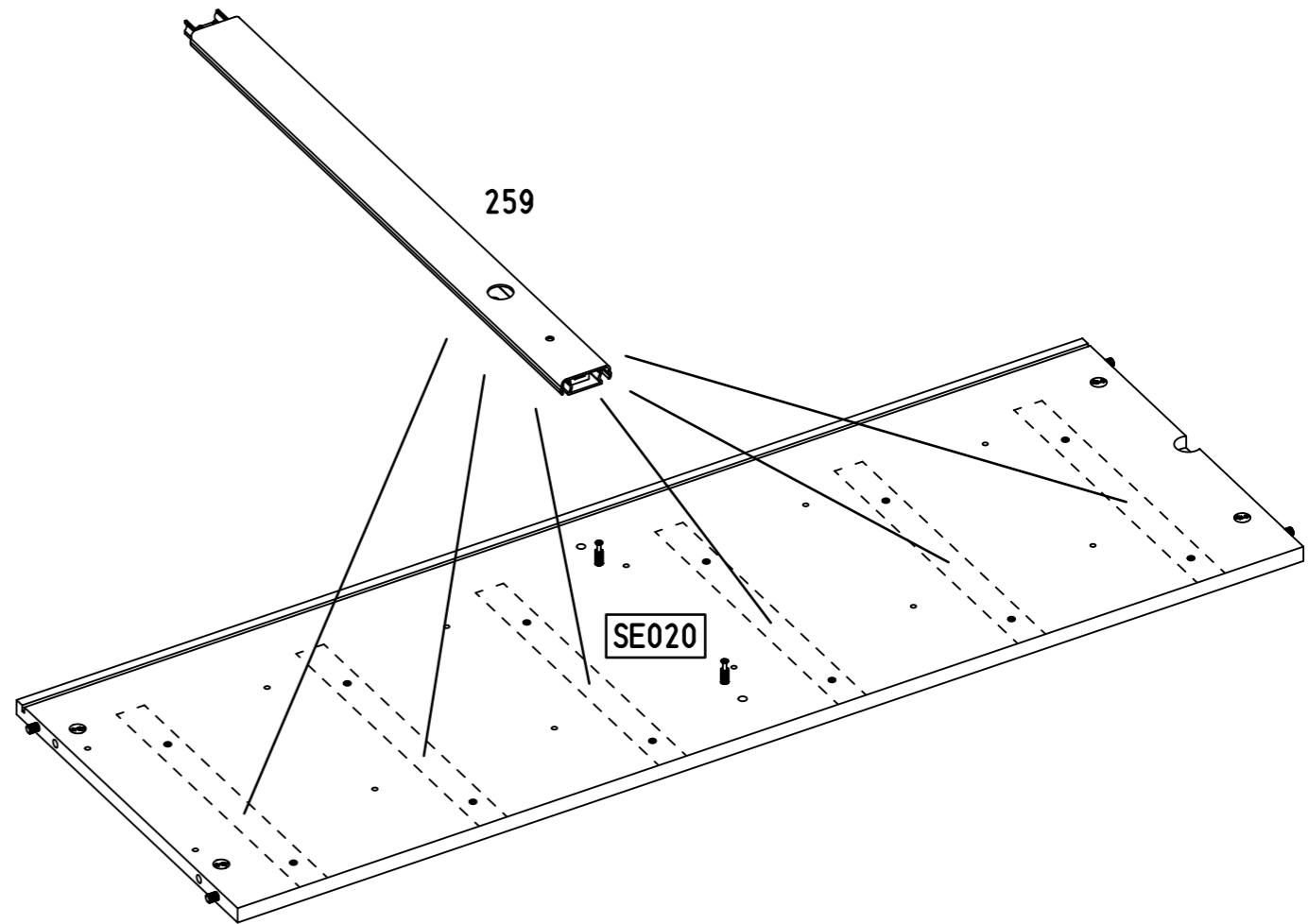
6x10,5



1.



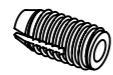
2.



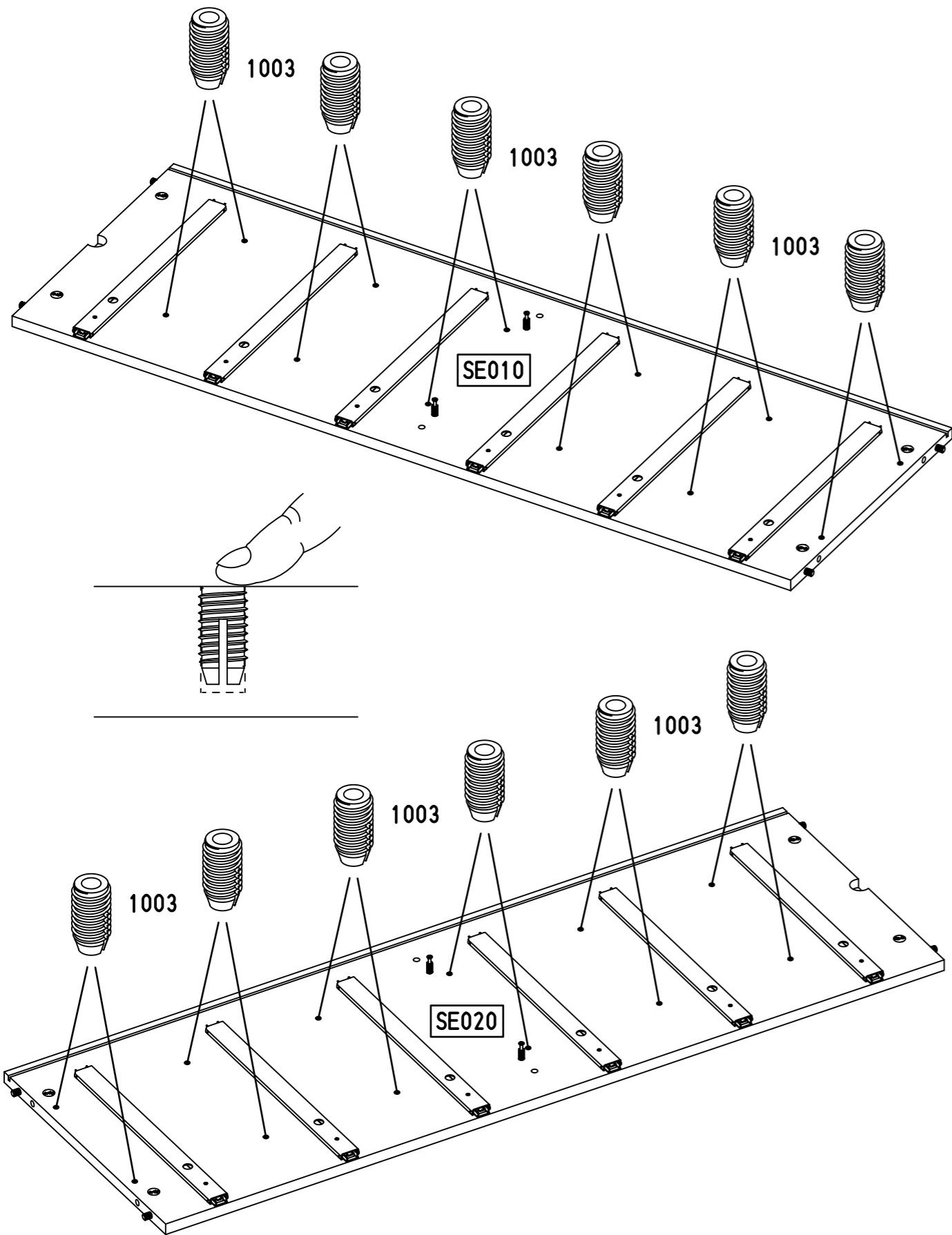
13.

11

24x 1003



6x12

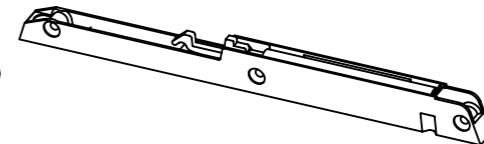


M2449

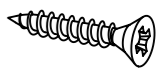
14.

12

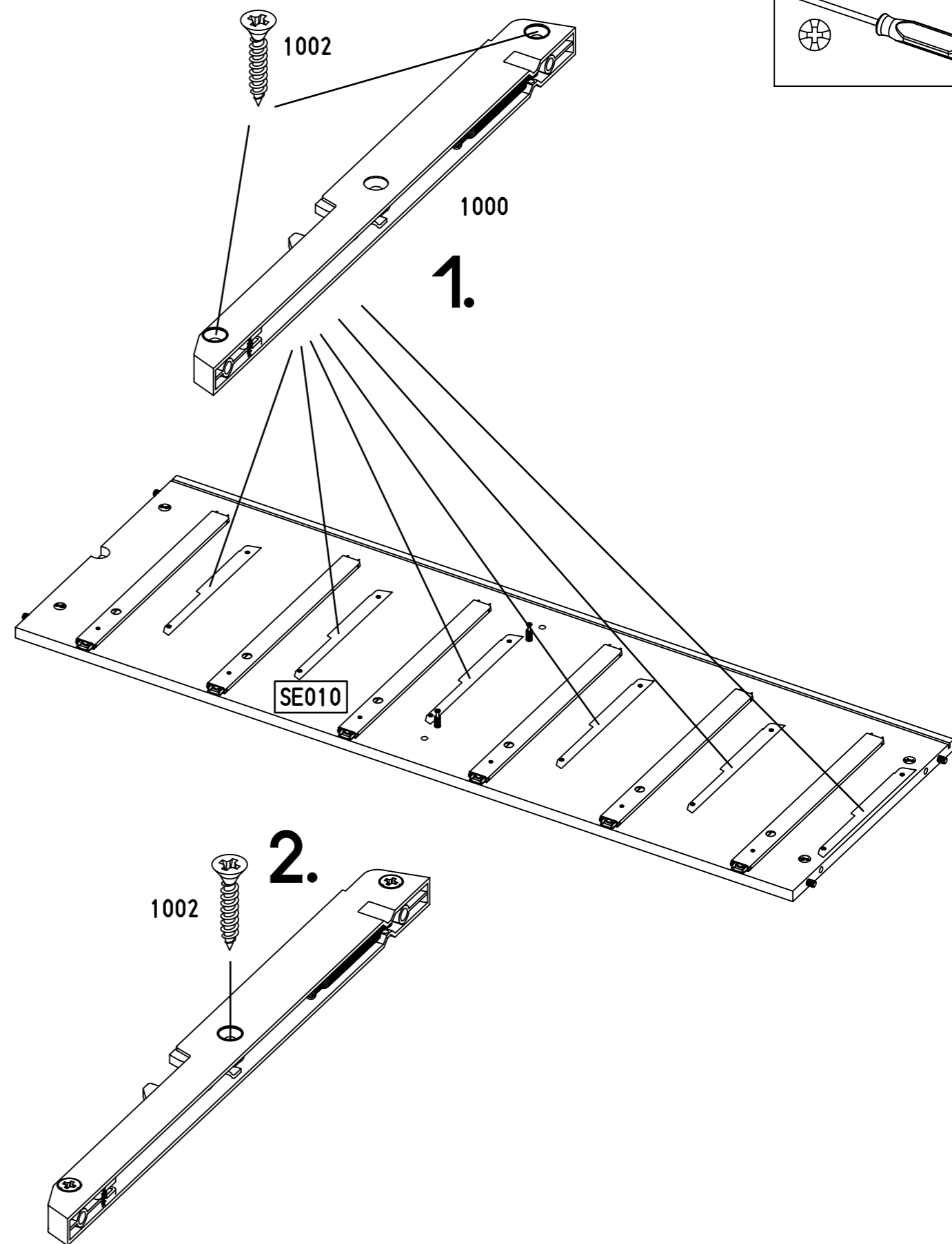
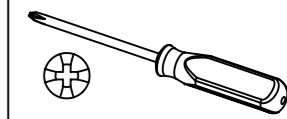
6x 1000



18x 1002



3,5x20

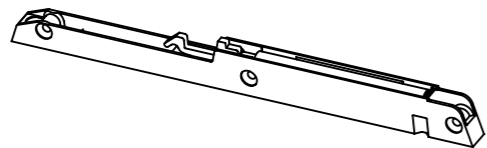


M2449

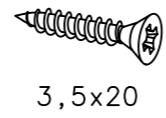
15.

13

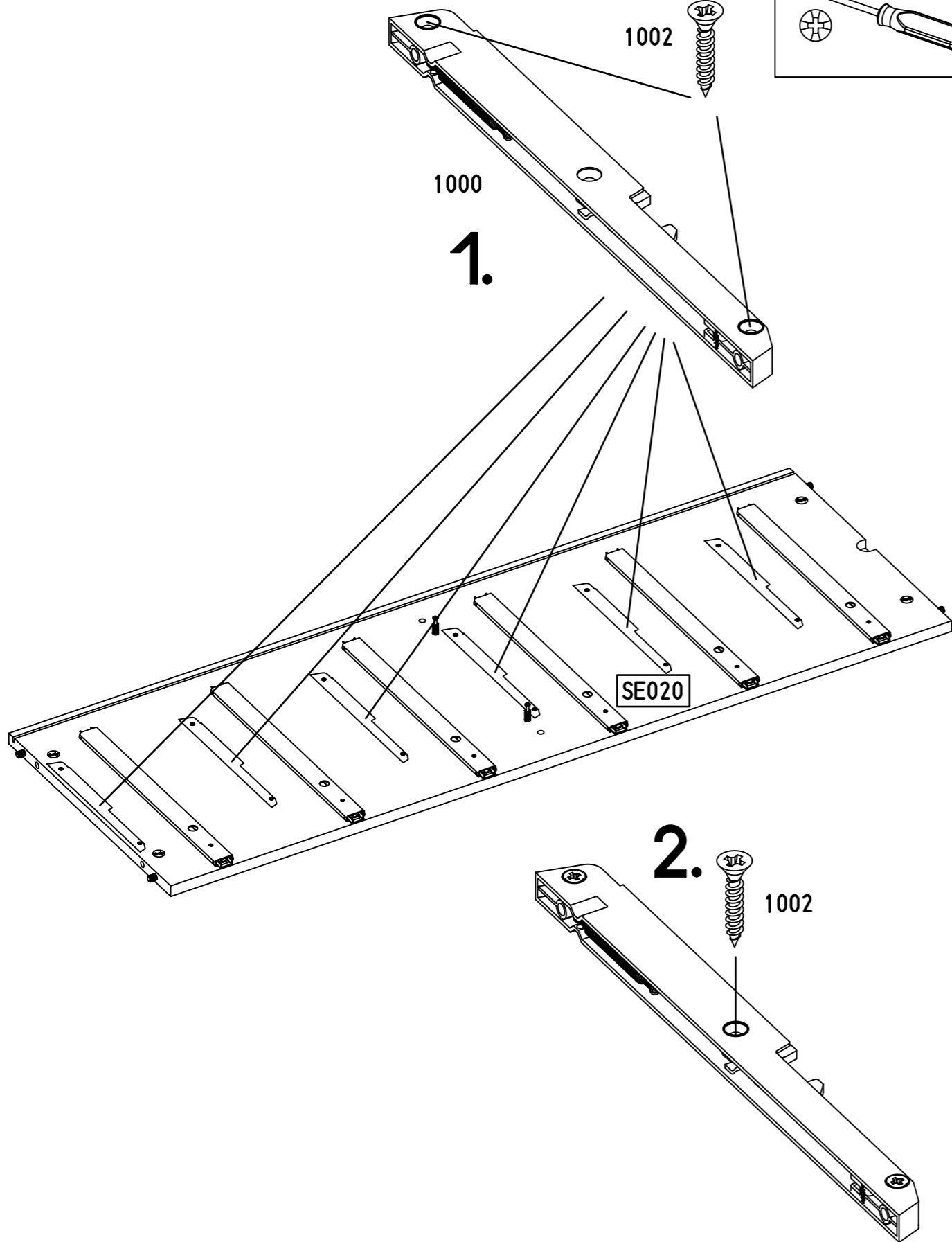
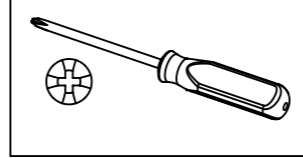
6x 1000



18x 1002



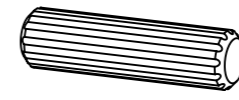
3,5x20



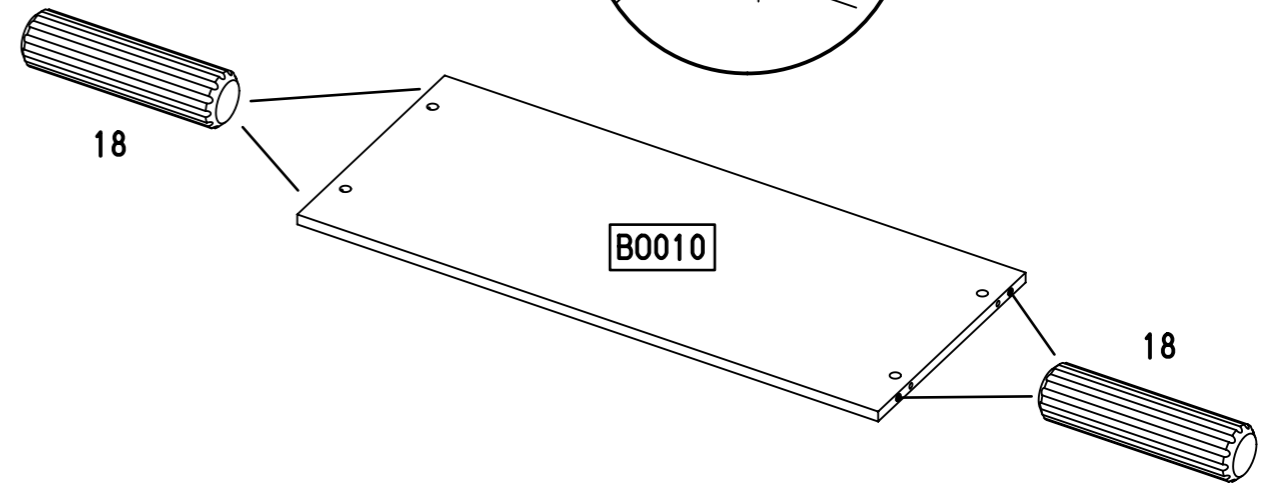
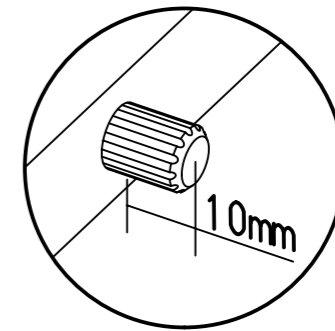
16.

14

4x 18

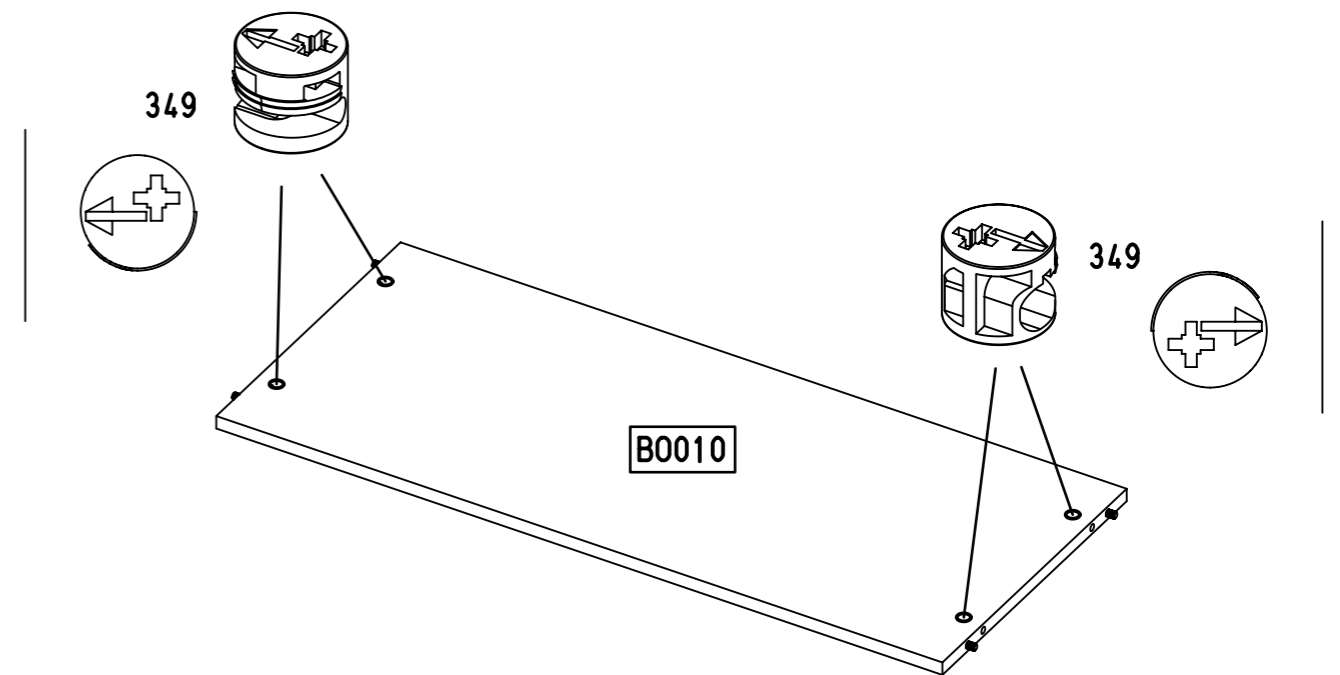
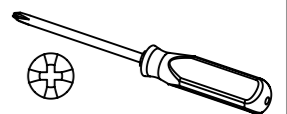


8x30

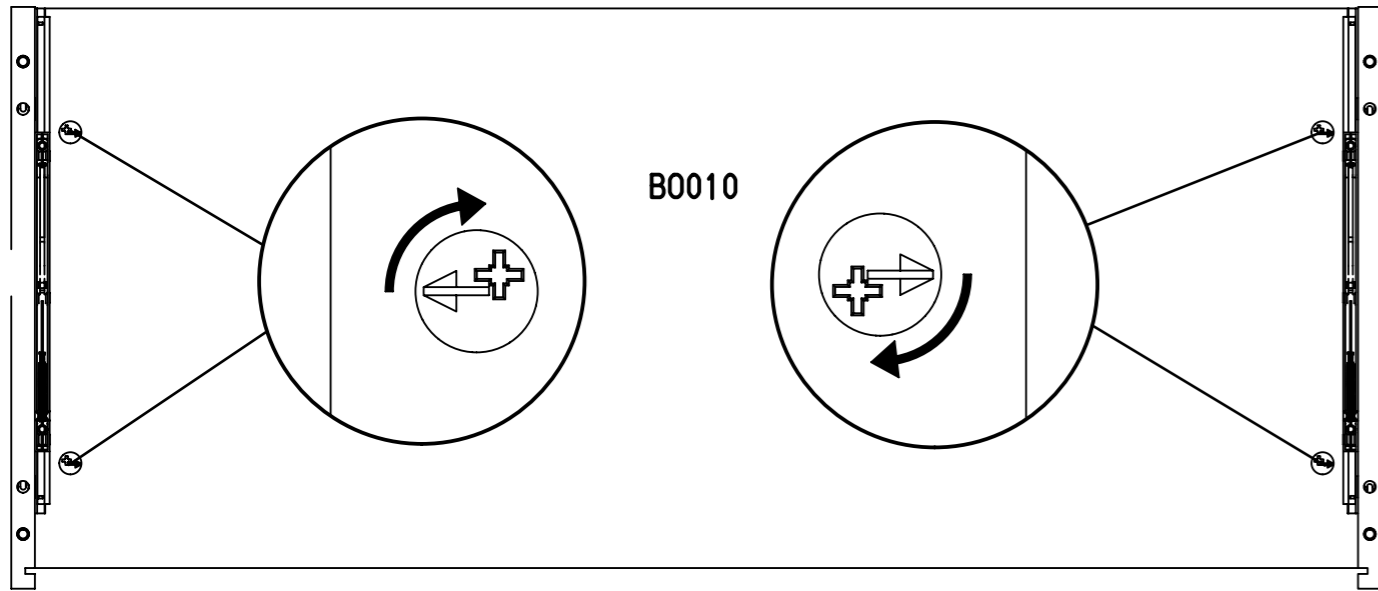
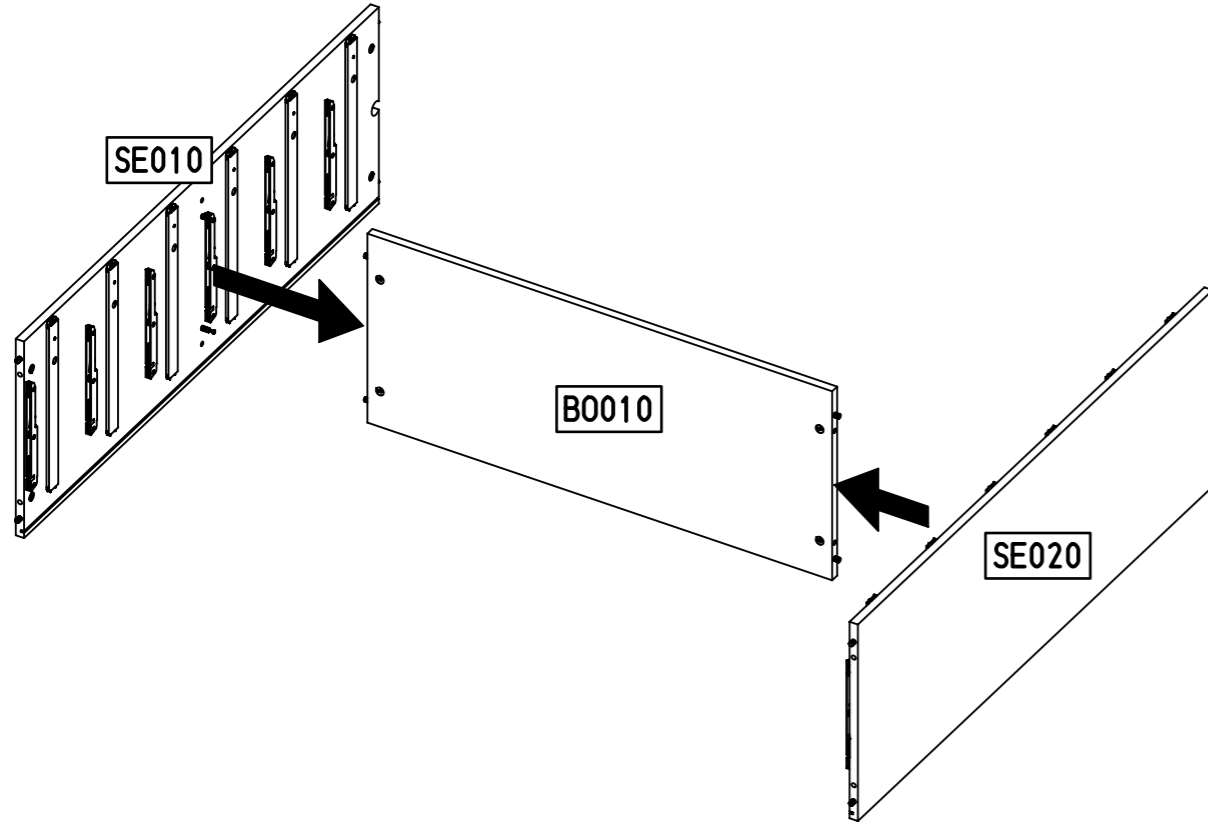
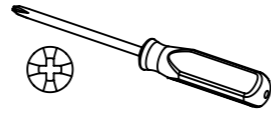


15

4x 349

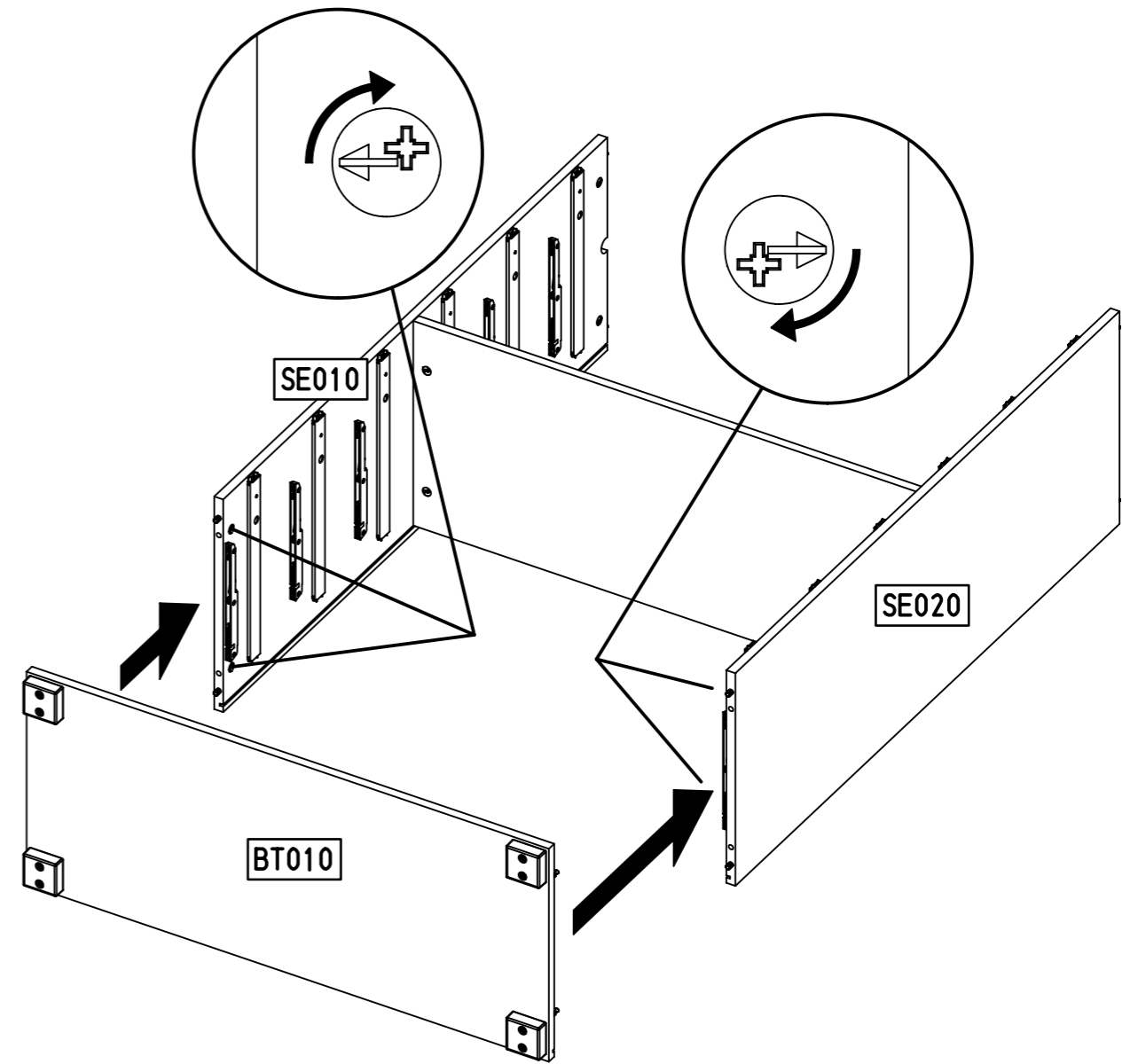
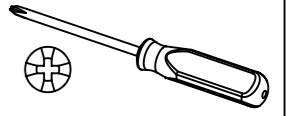


16



B0010

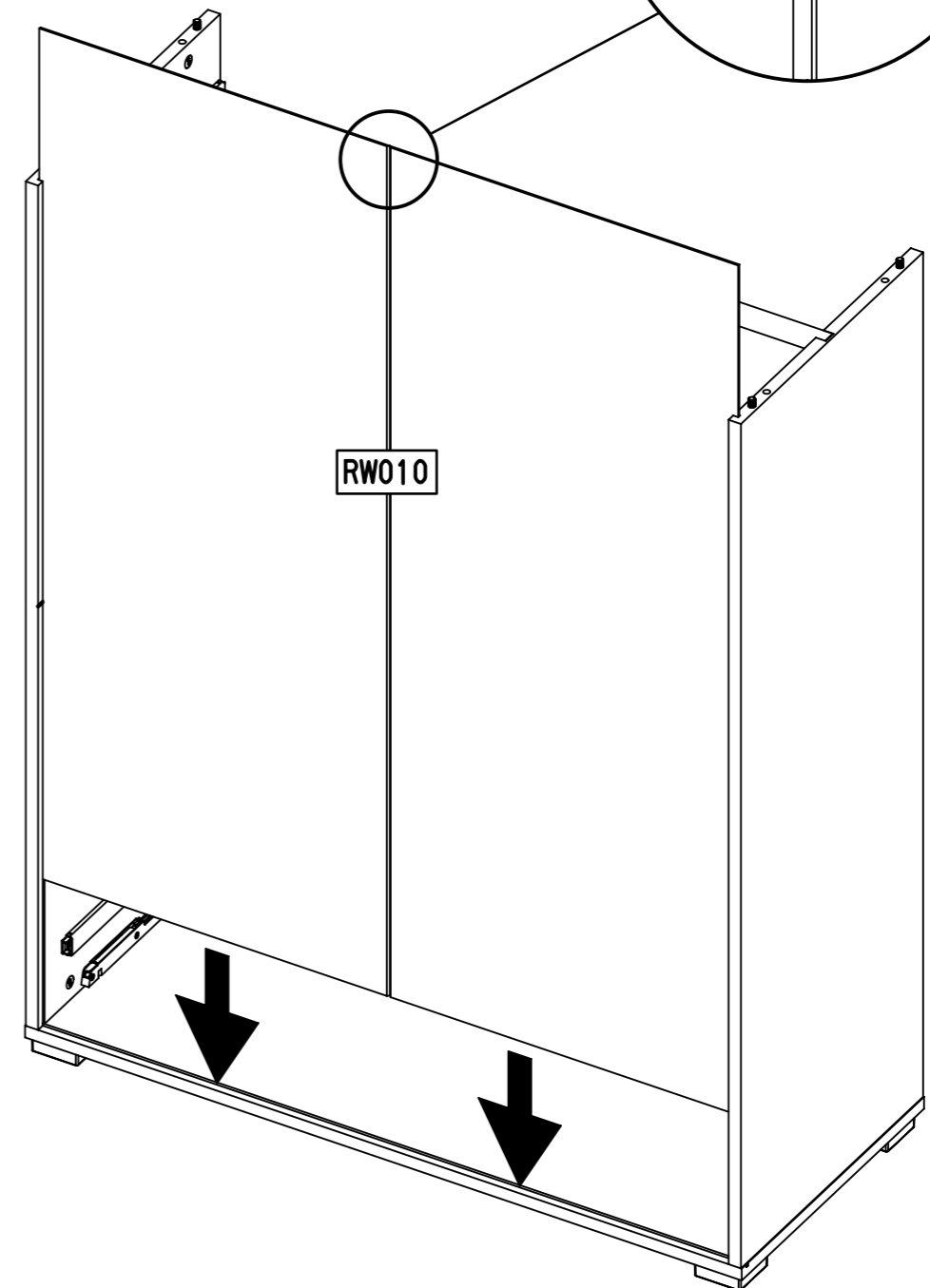
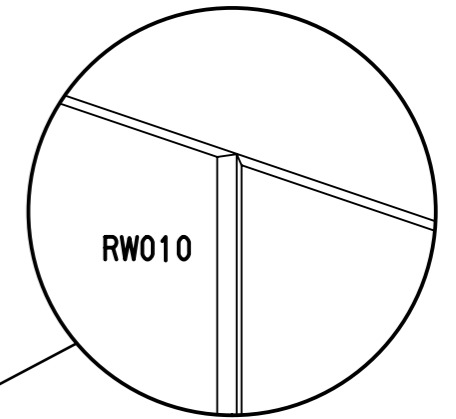
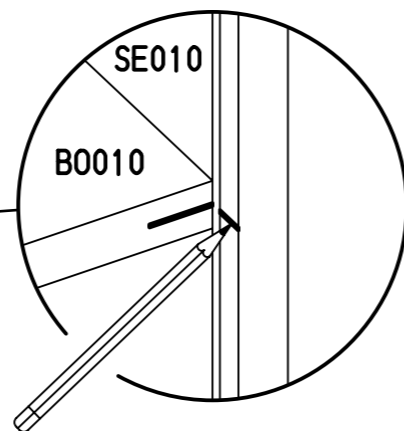
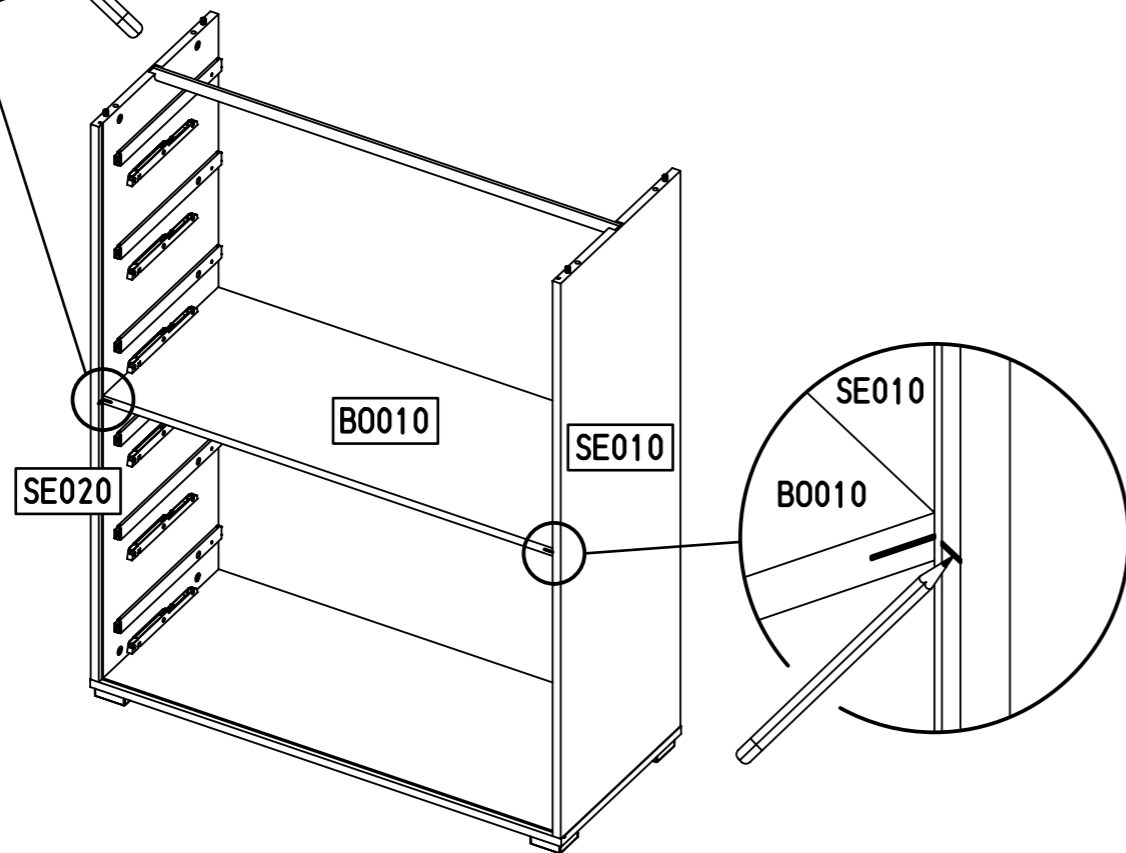
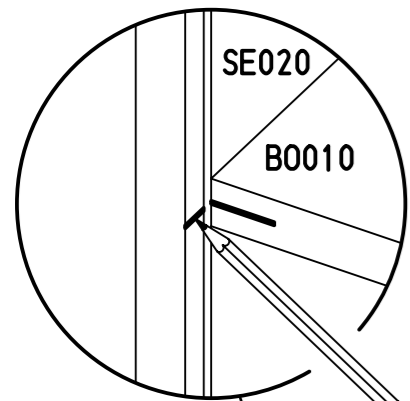
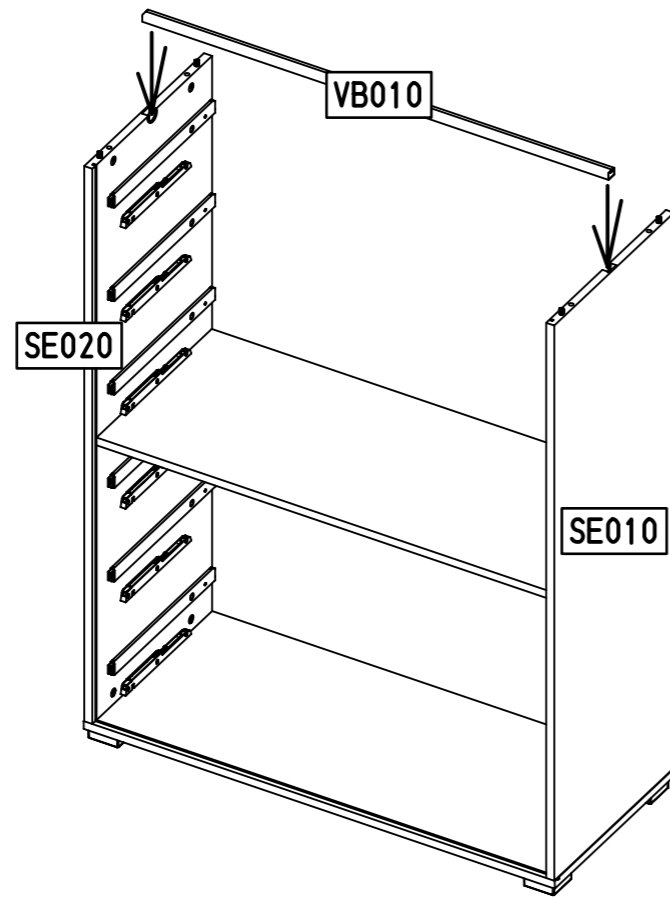
17



SE010

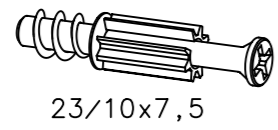
SE020

BT010

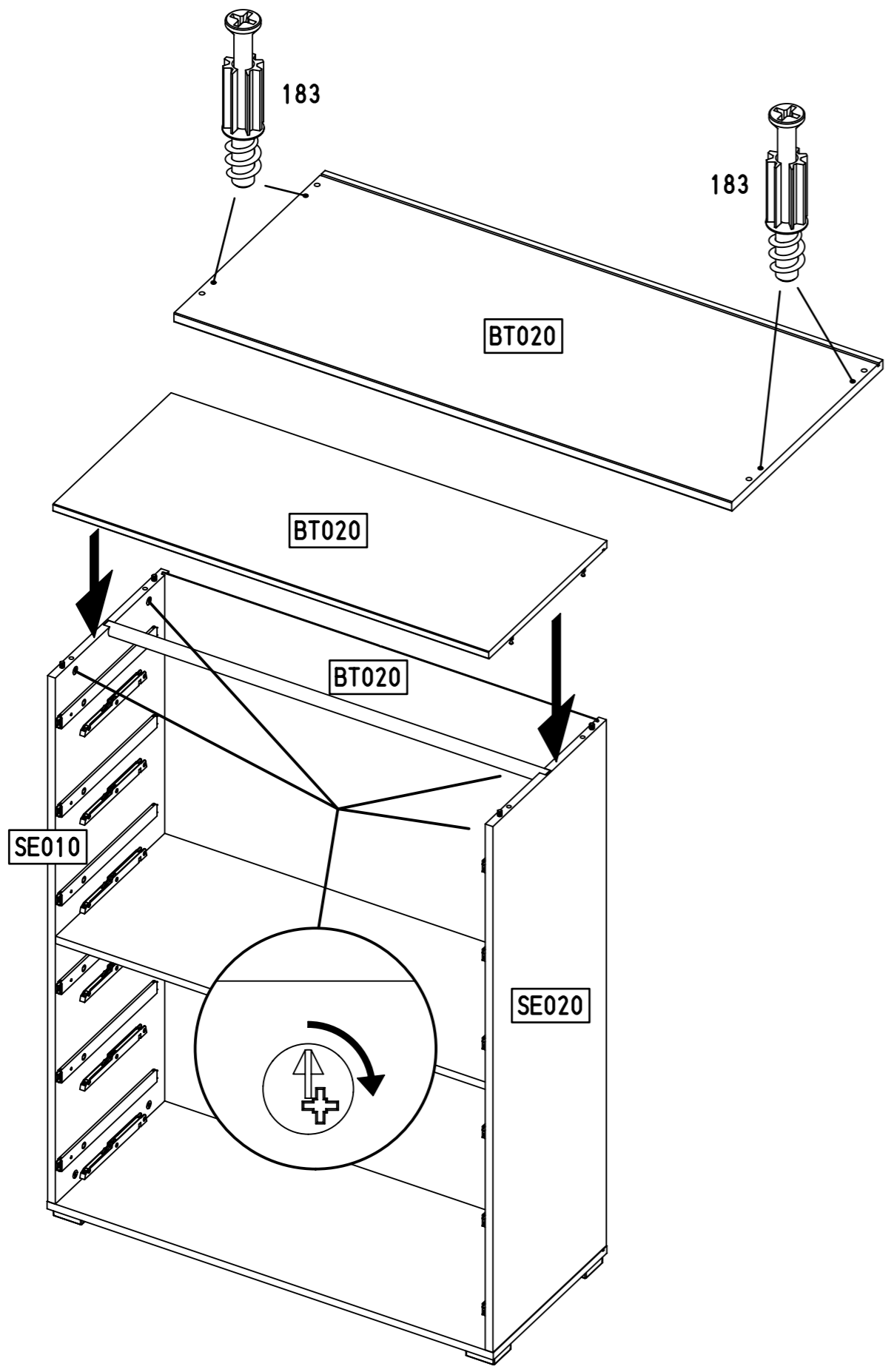
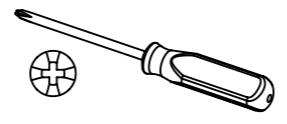


20

4x 183

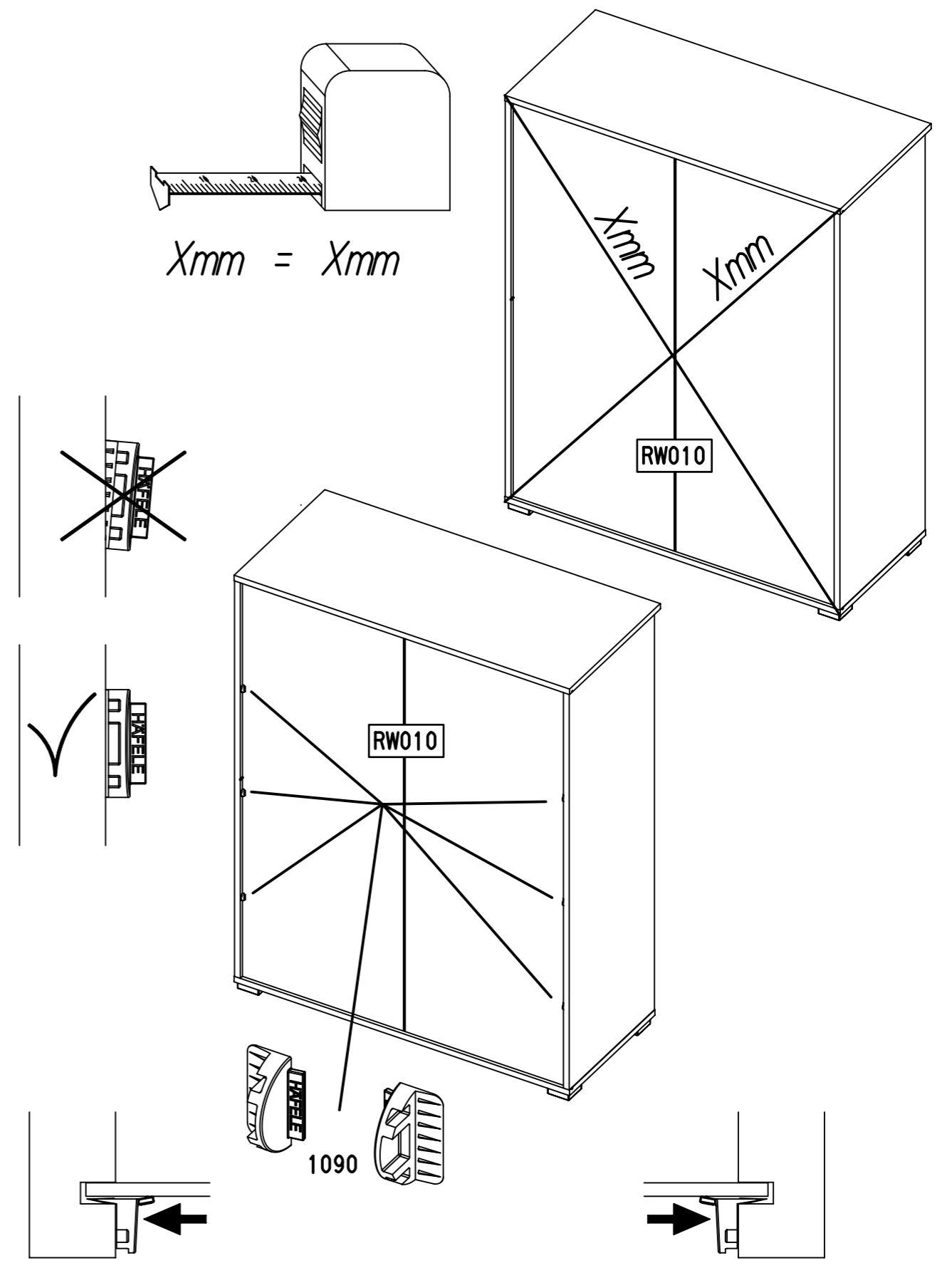
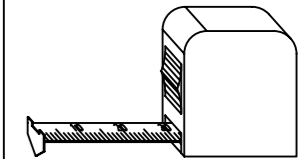
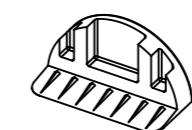


23/10x7,5



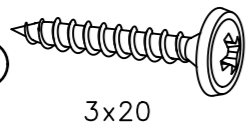
21

6x 1090

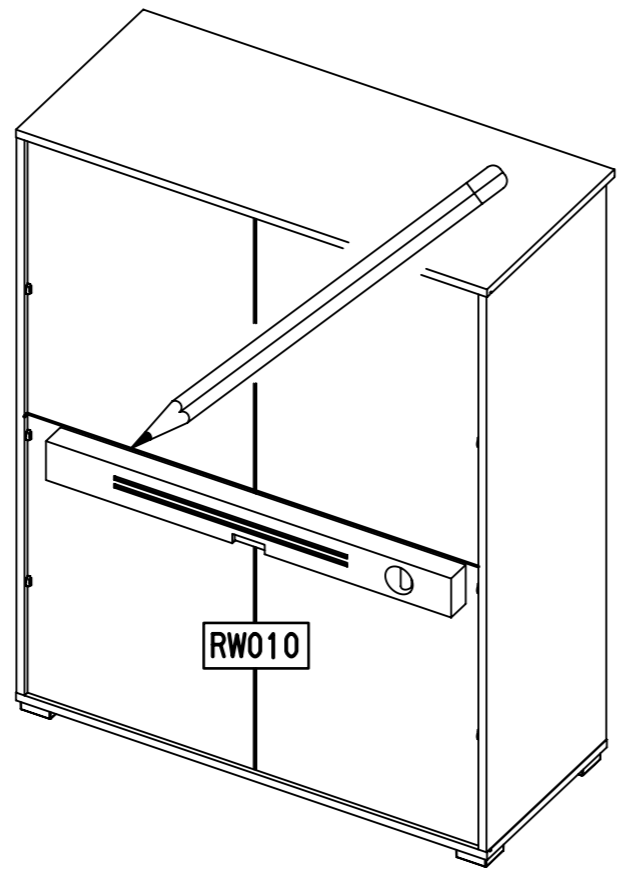
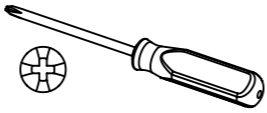
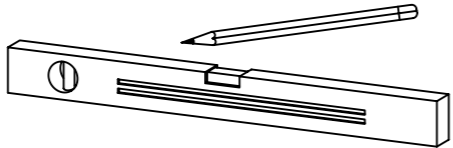


22

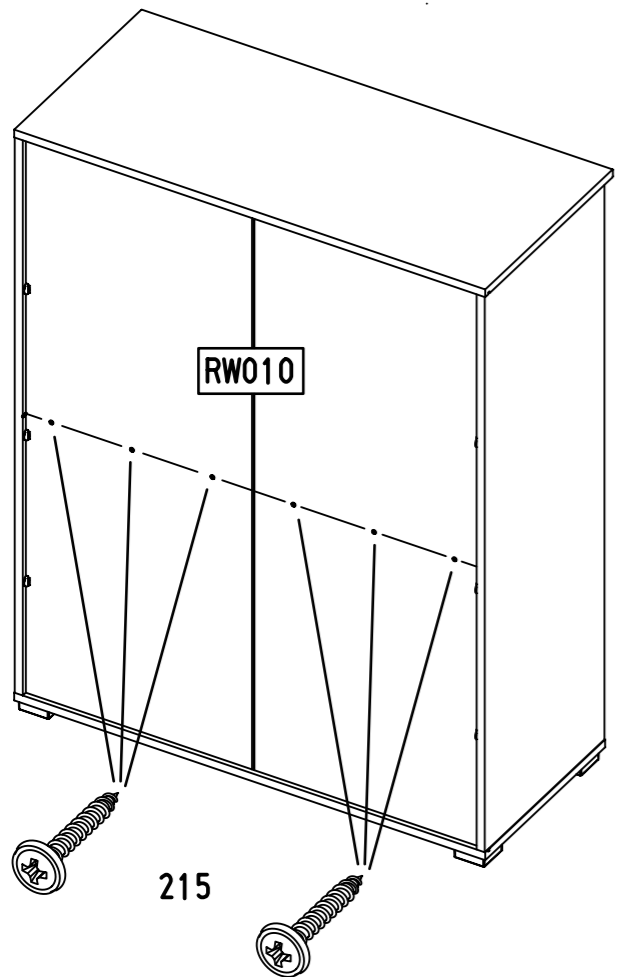
6x (215)



3x20

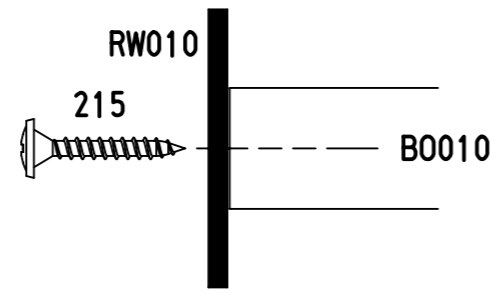


RW010



RW010

215



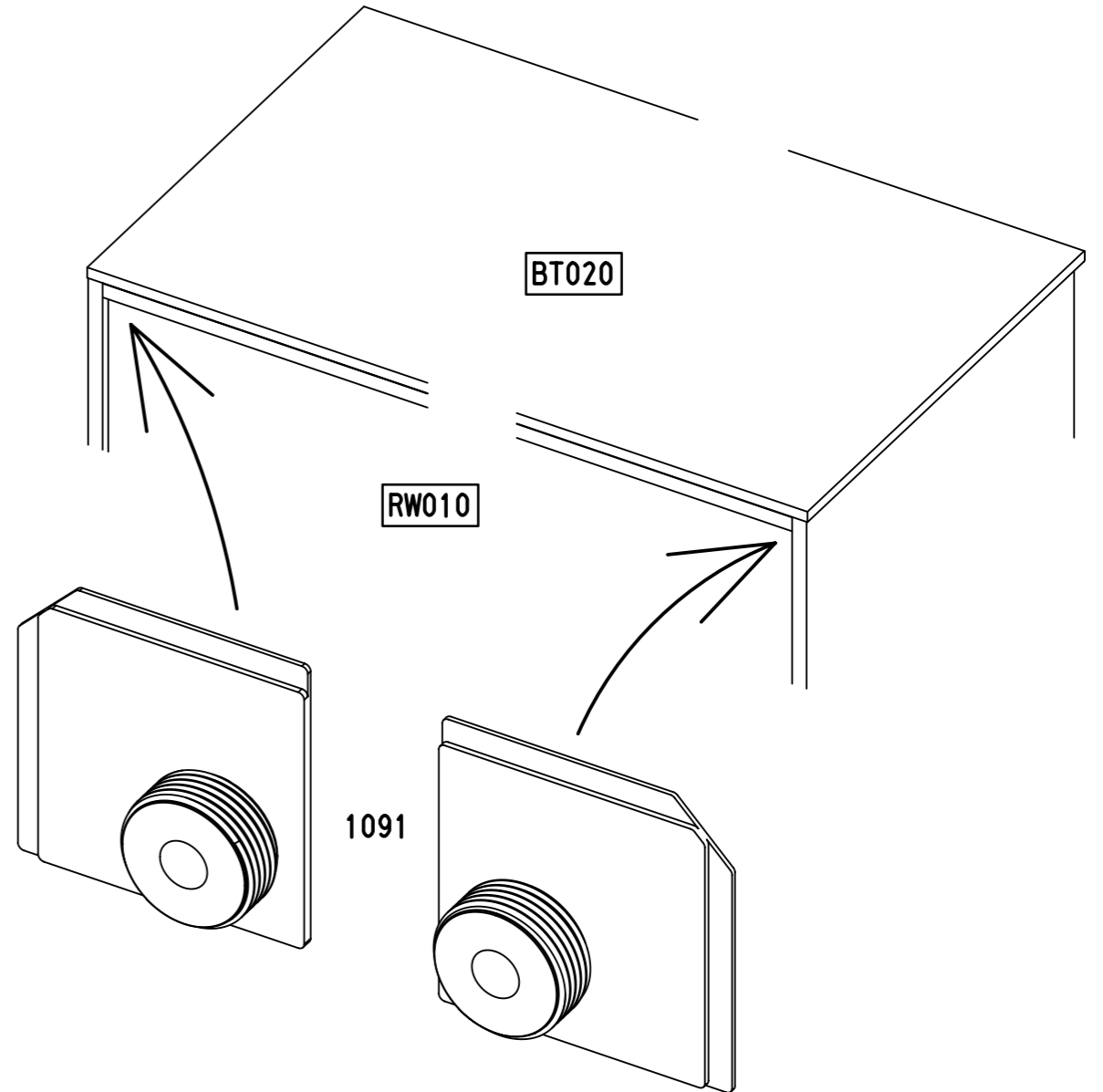
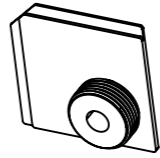
RW010

215

B0010

23

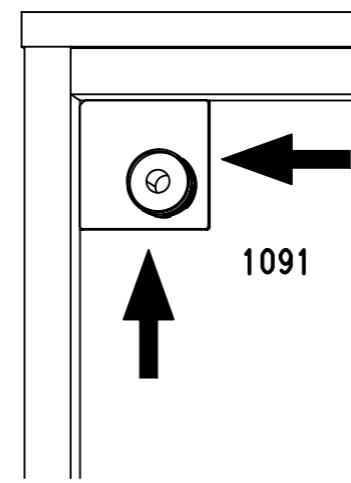
2x (1091)



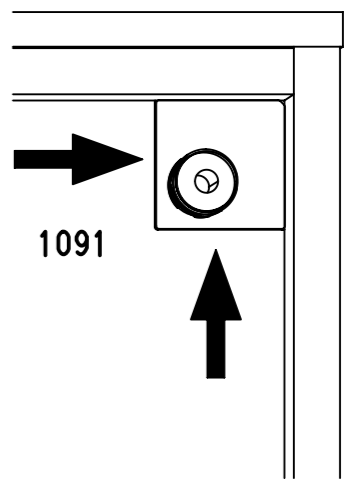
BT020

RW010

1091



1091

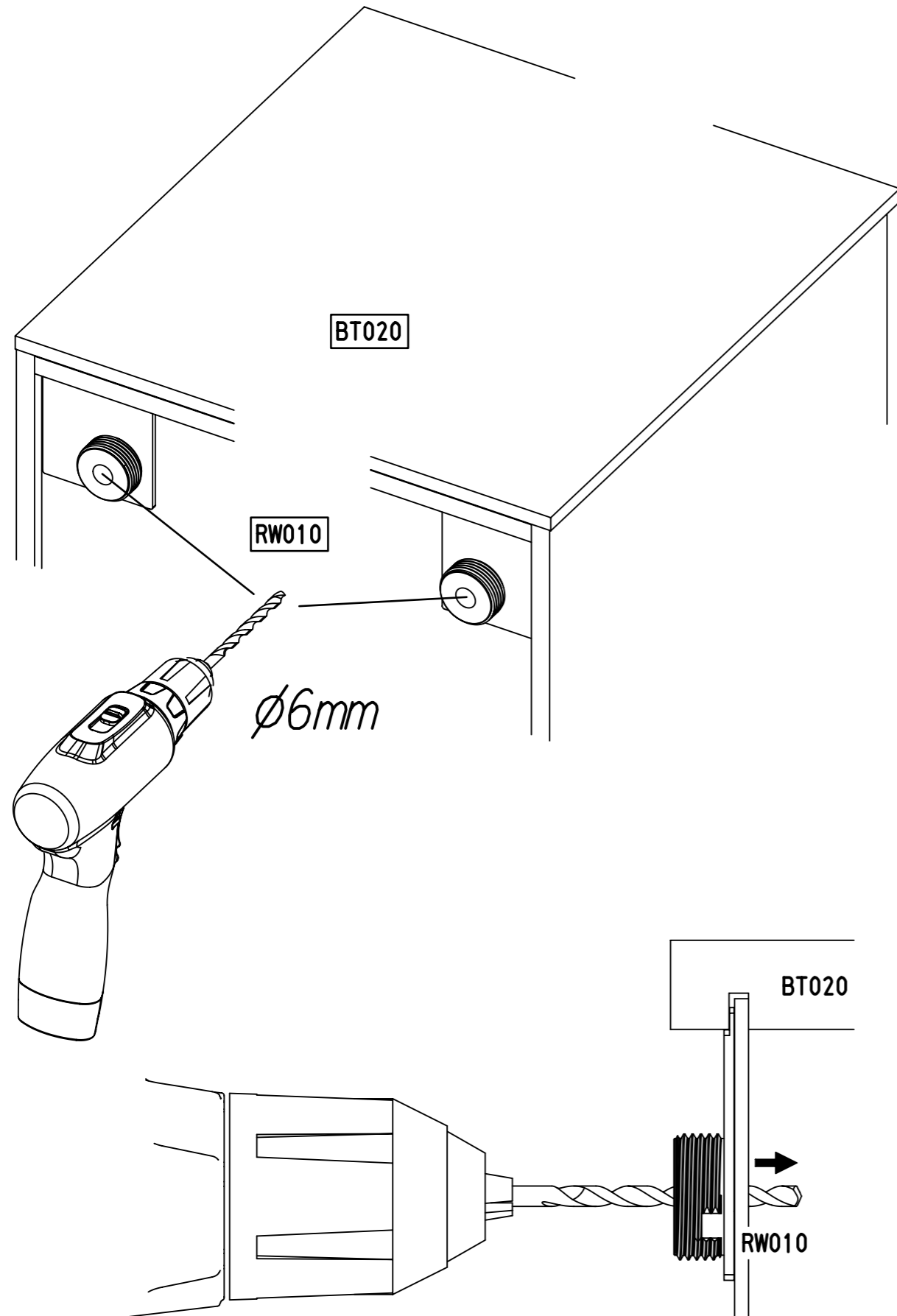
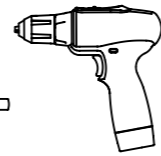


1091

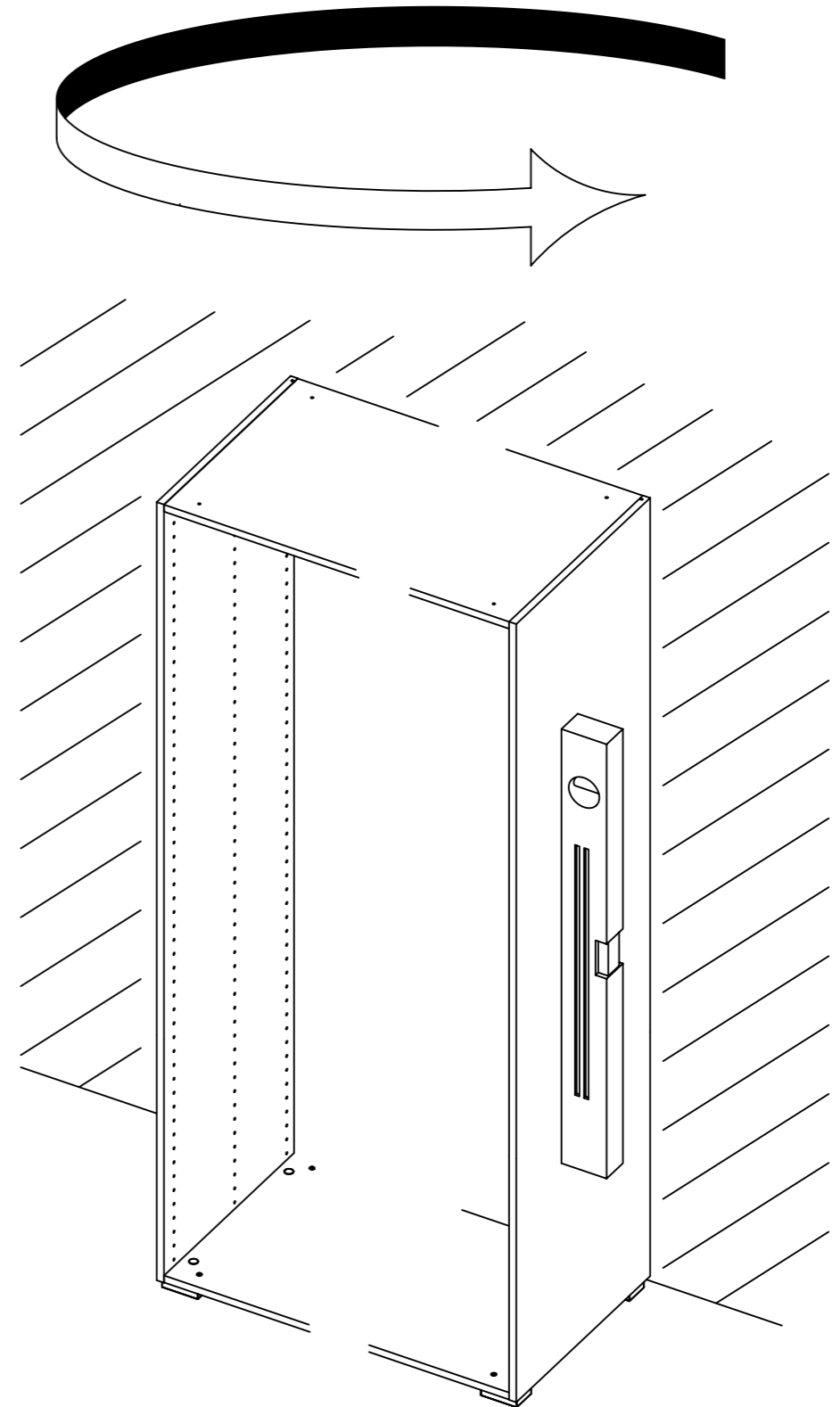
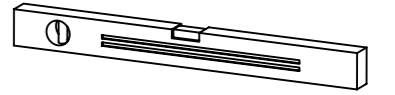
RW010

24

∅6mm

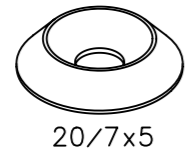


25



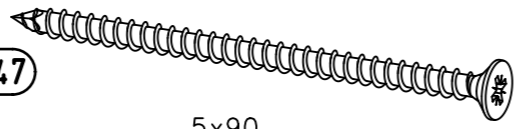
26

2x 1093

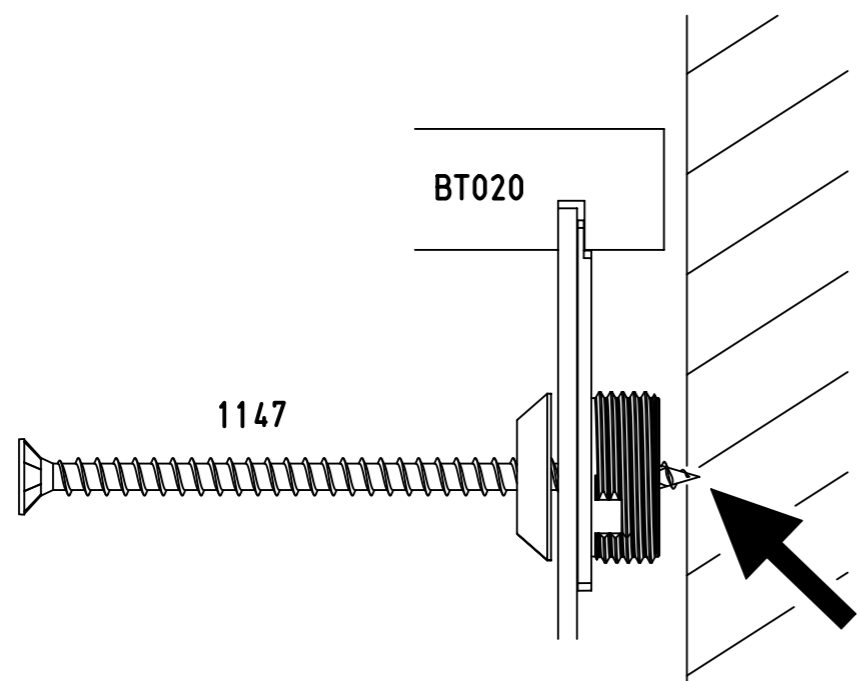
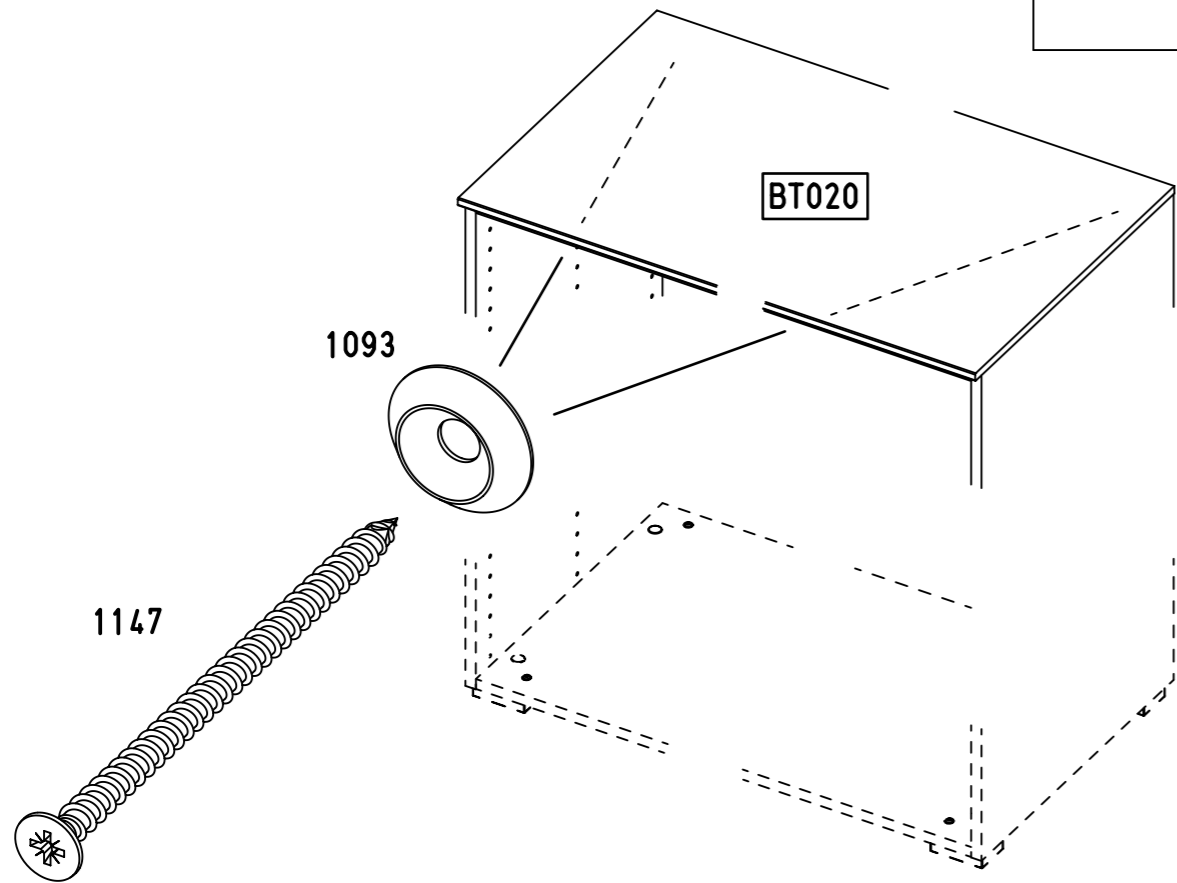
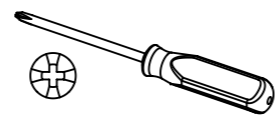


20/7x5

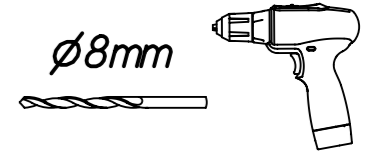
2x 1147



5x90

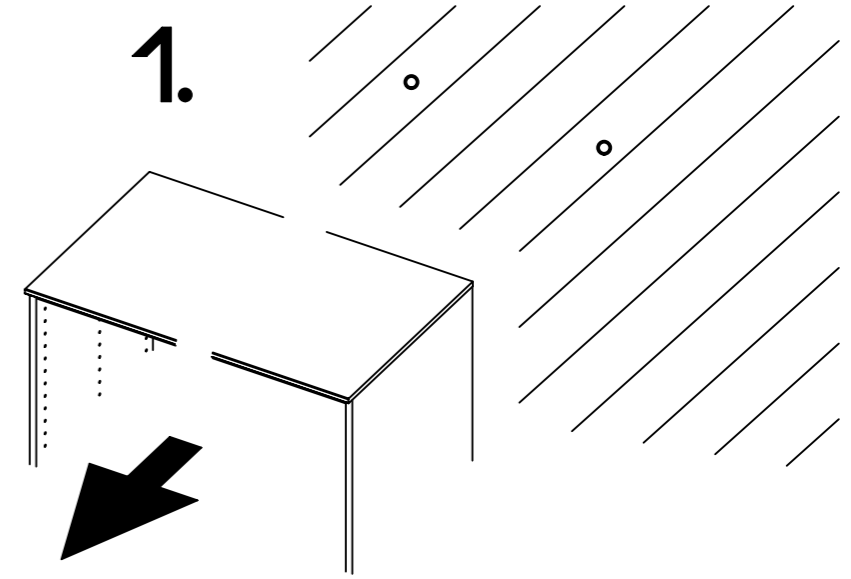


27

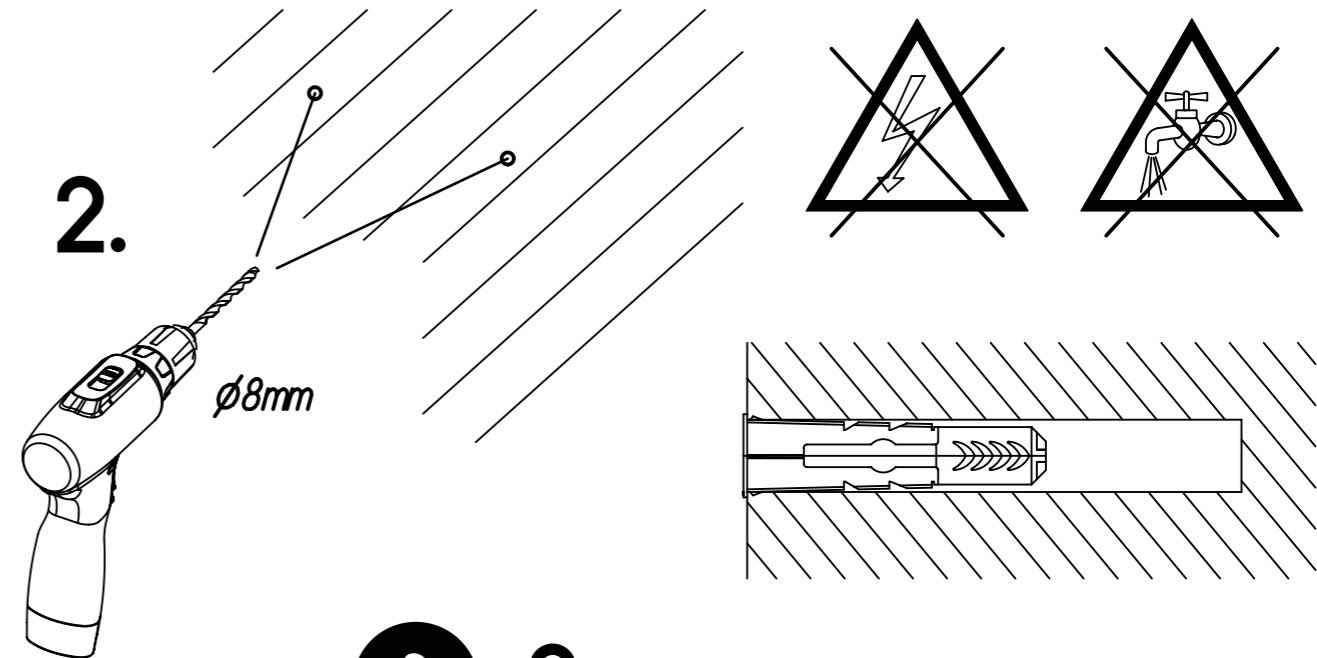


ø8mm

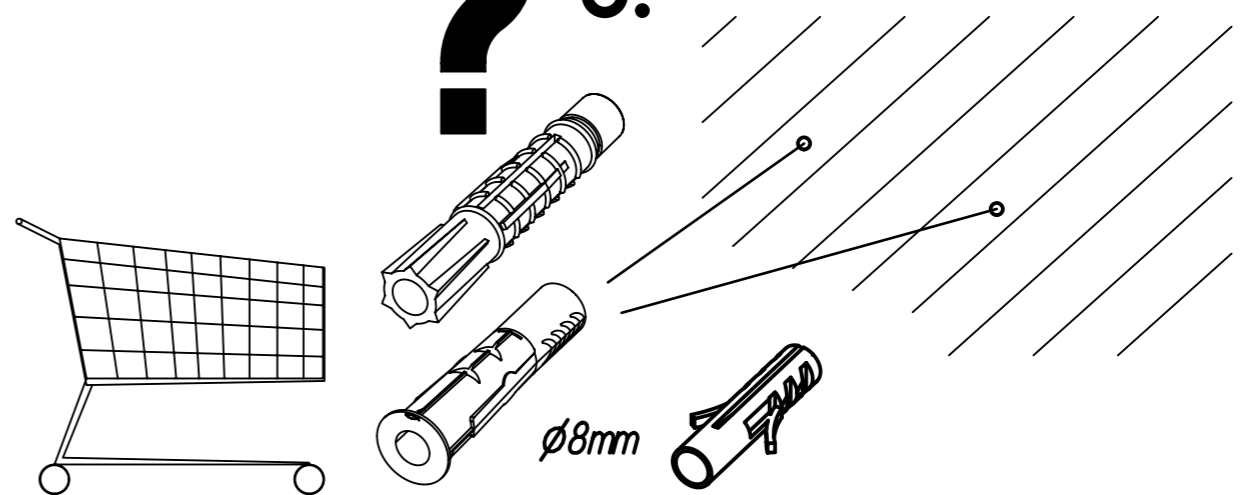
1.



2.

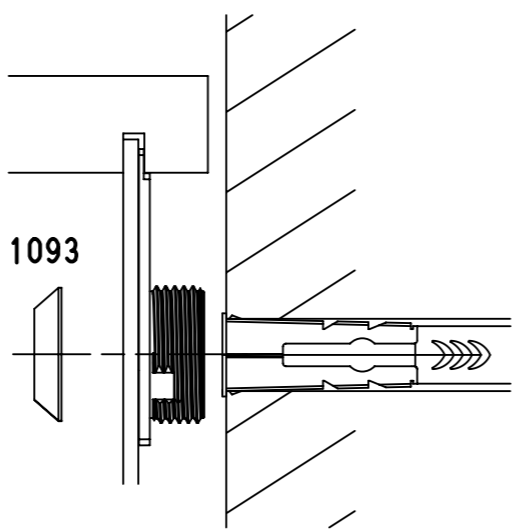
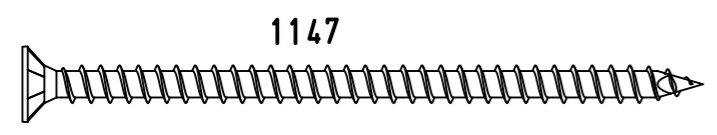
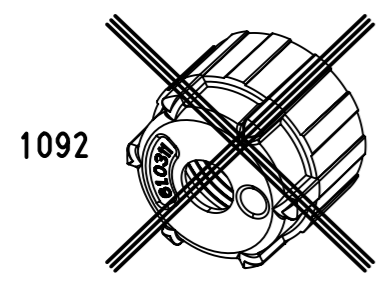
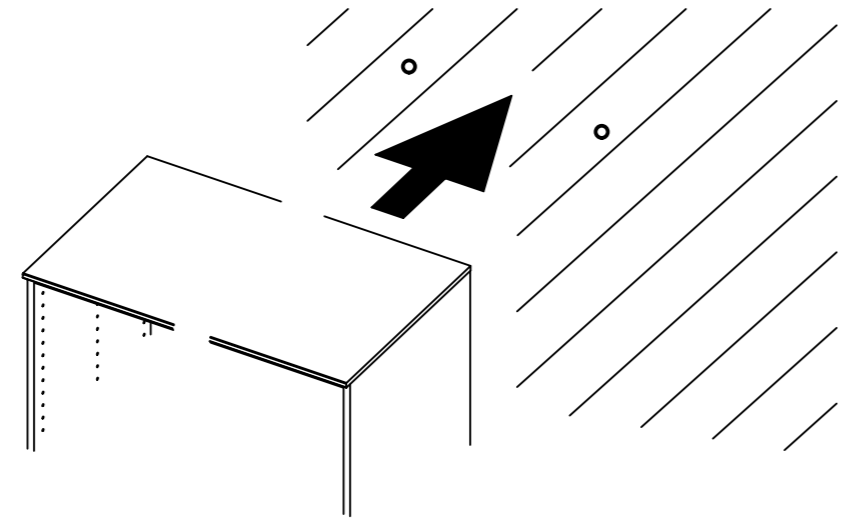
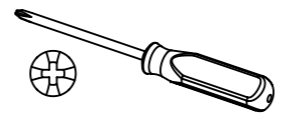
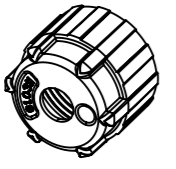


? 3.

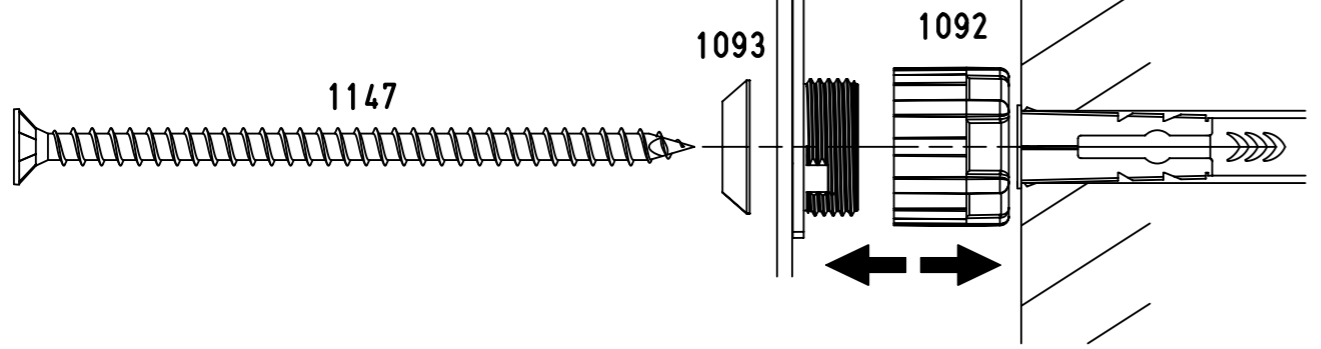


28

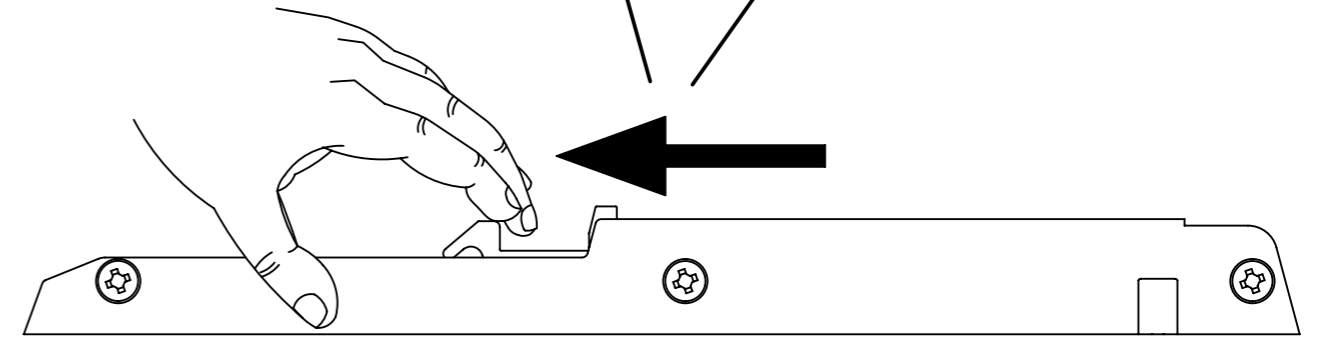
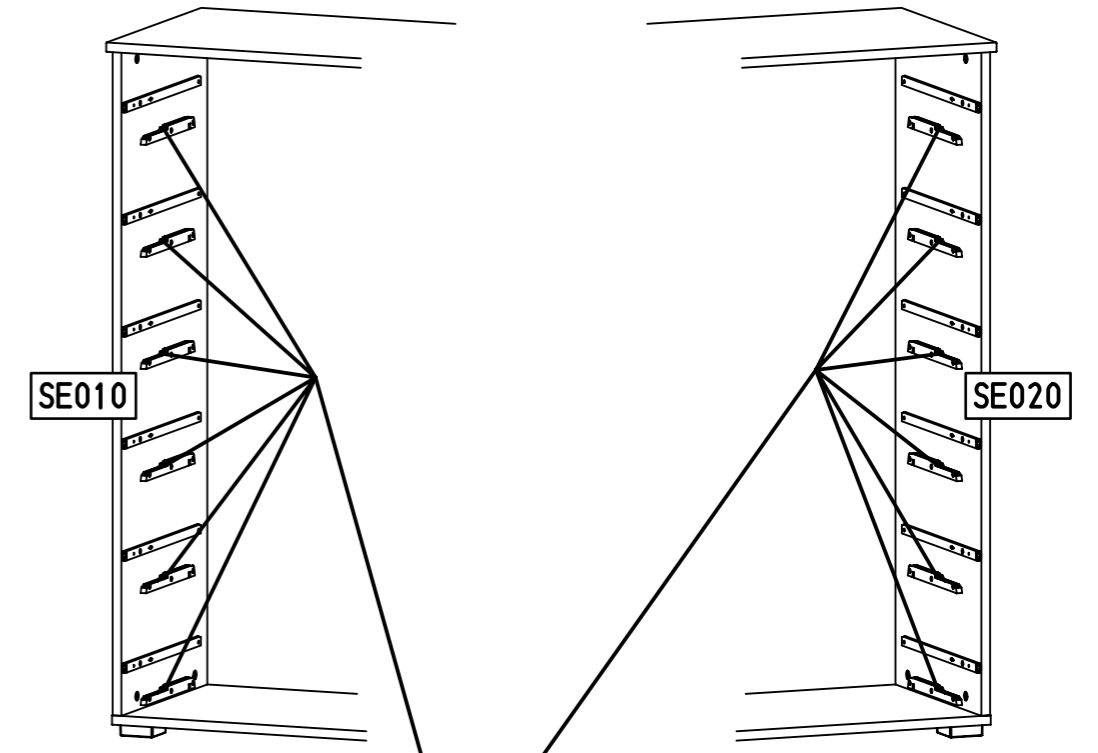
2x 1092



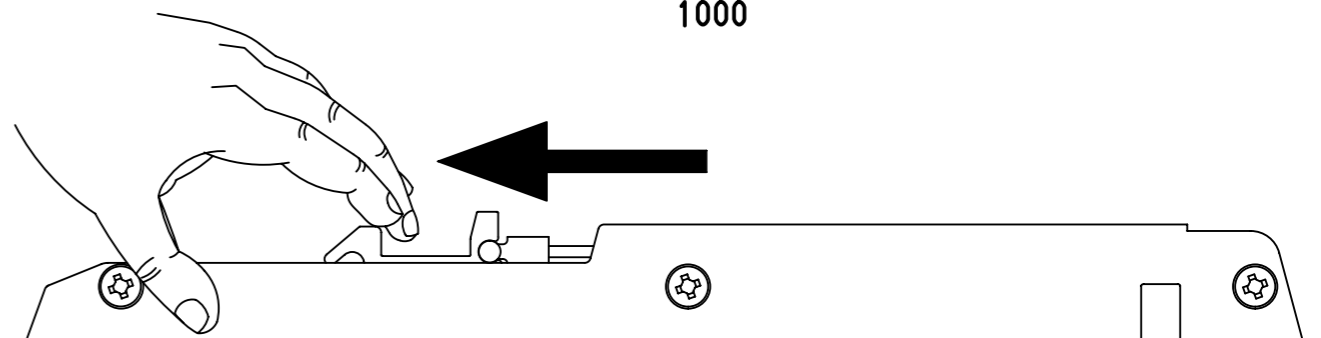
10-15mm



29



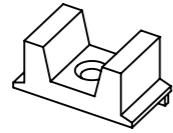
1000



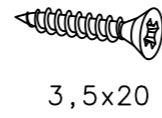
31.

30

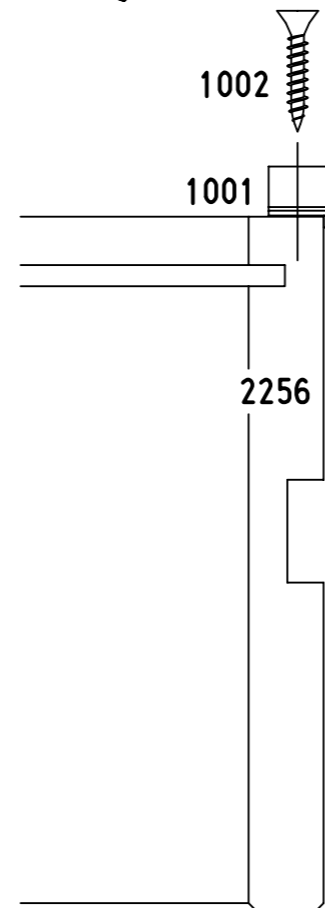
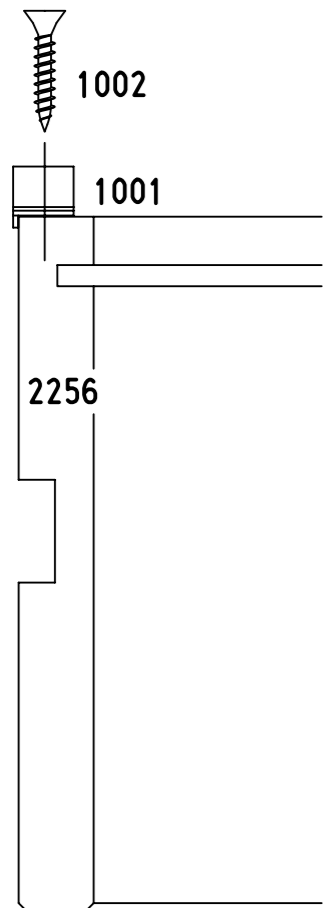
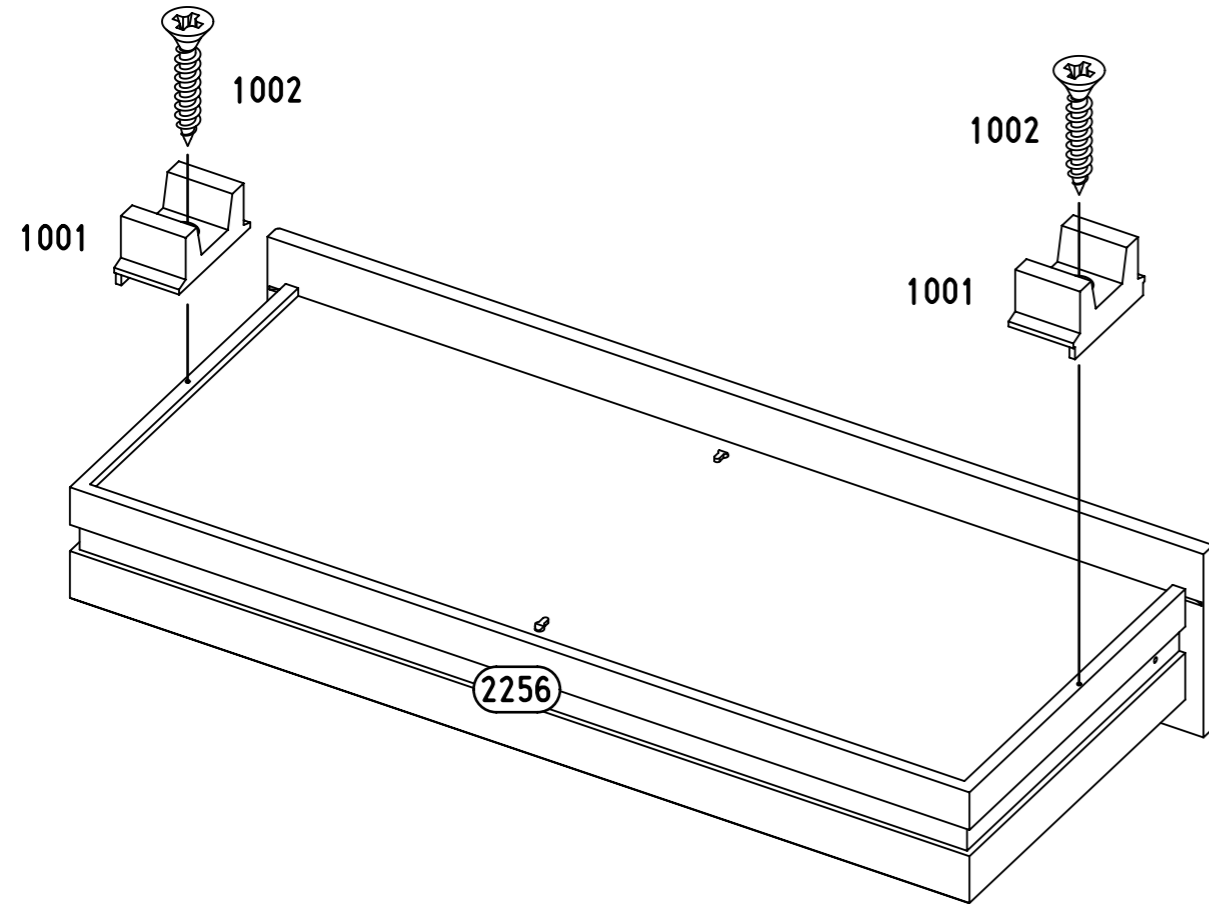
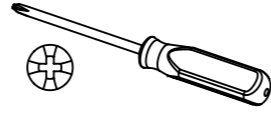
12x 1001



12x 1002



3,5x20



M2449

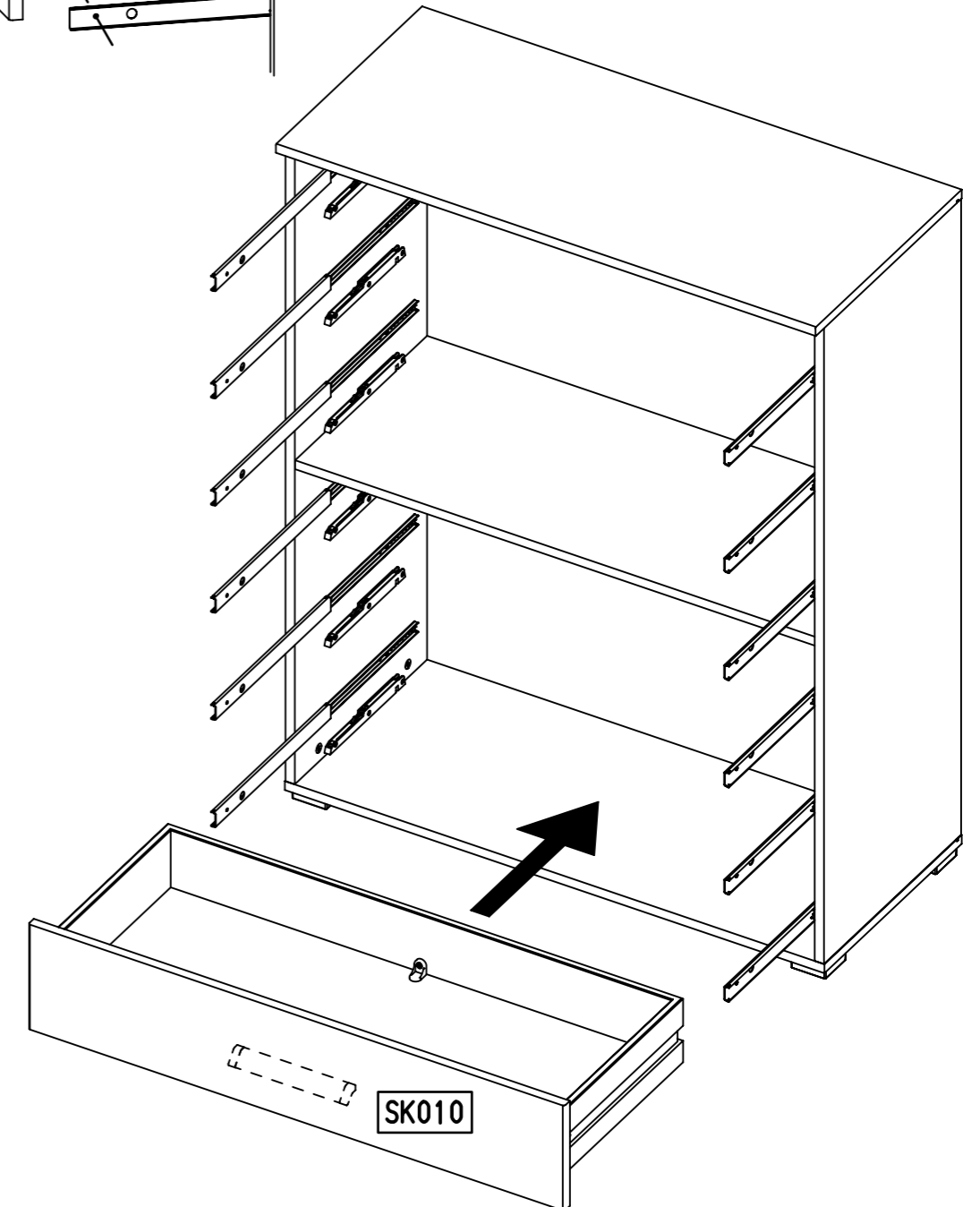
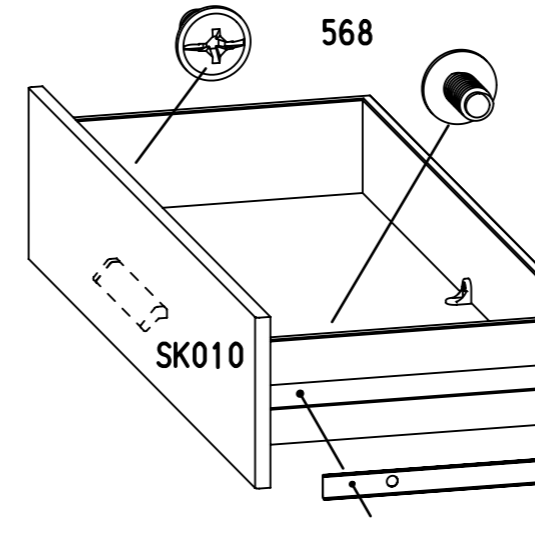
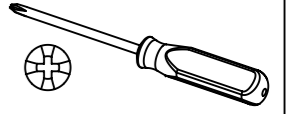
32.

31

12x 568



M4x9



M2449