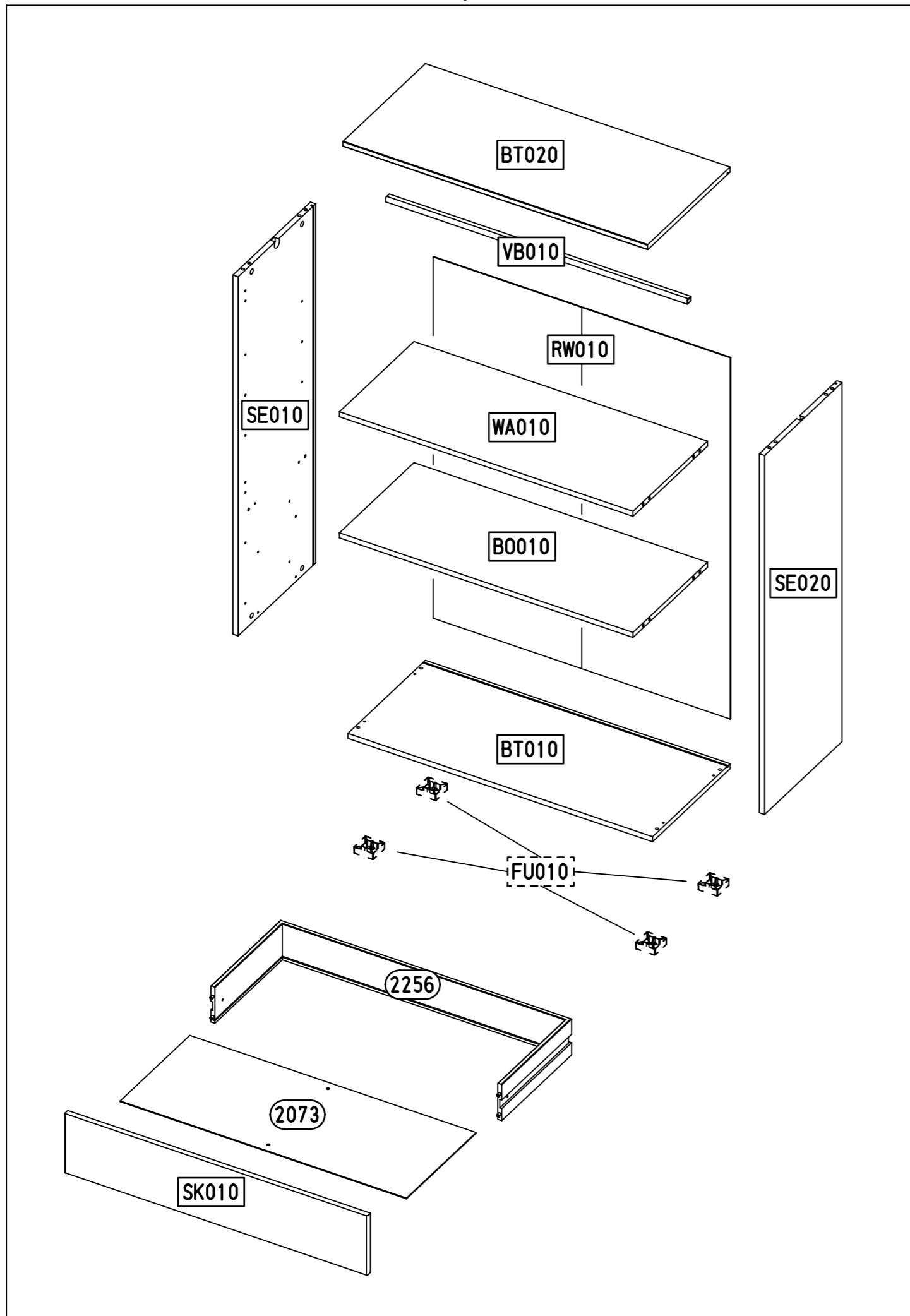
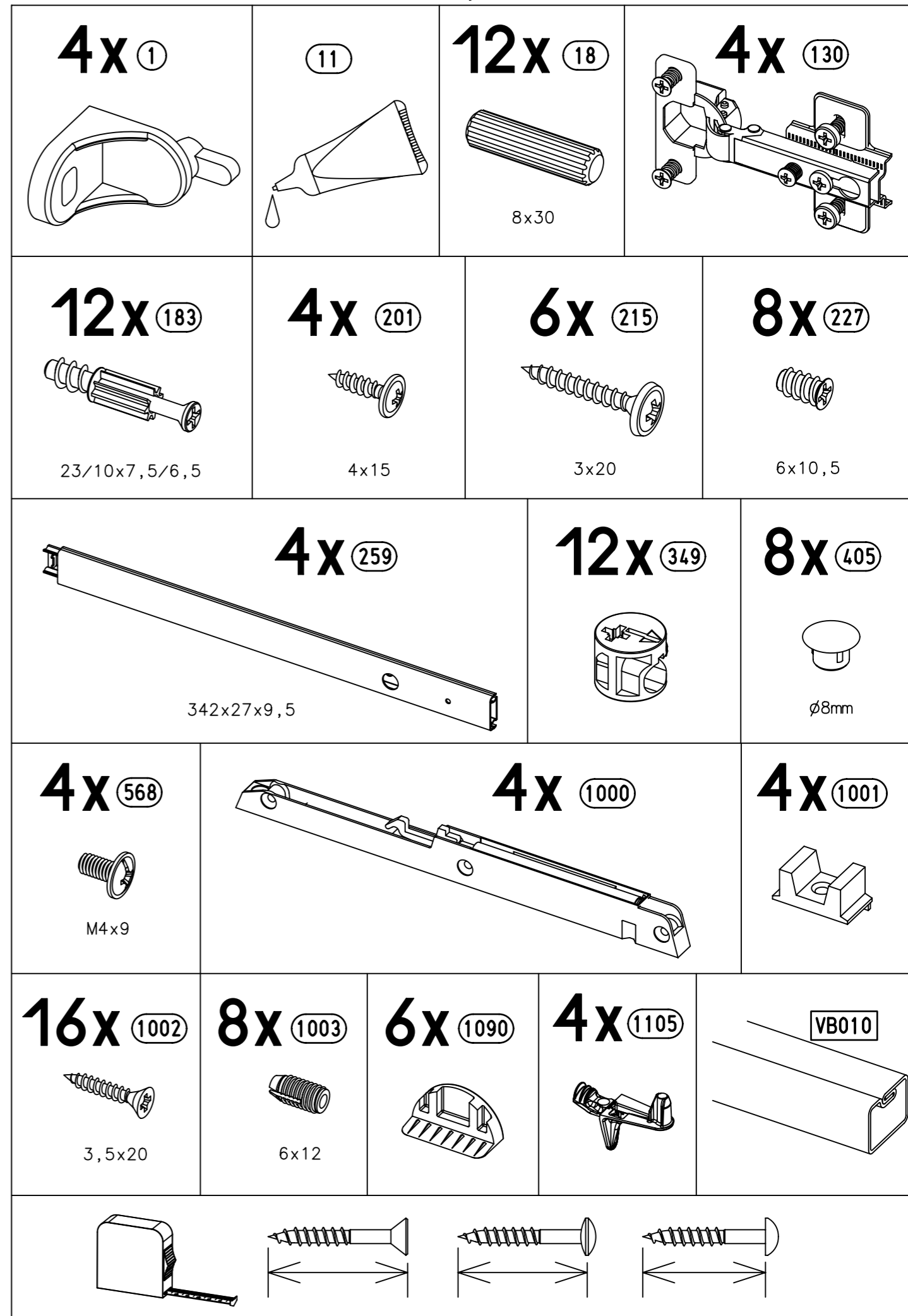


3.



M2166

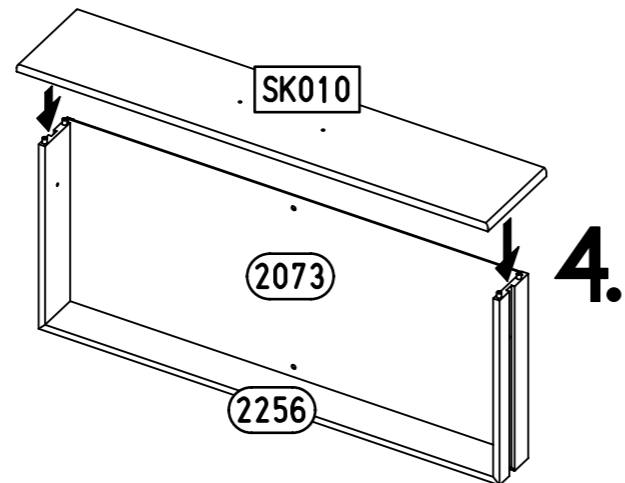
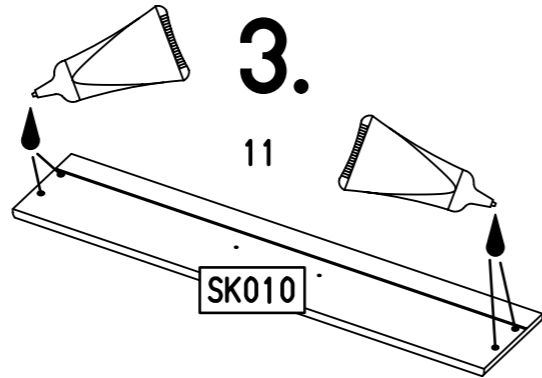
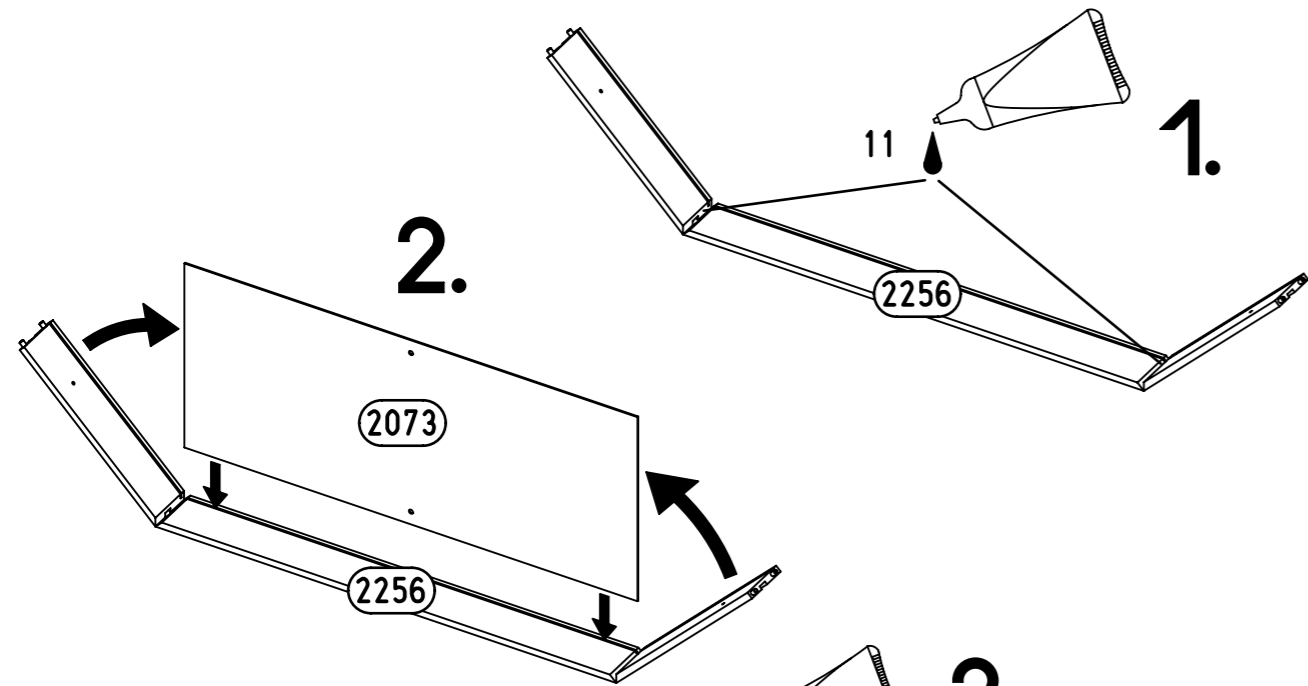
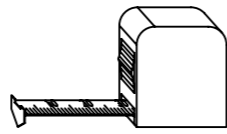
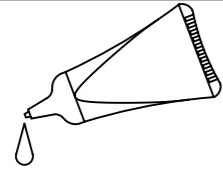
4.



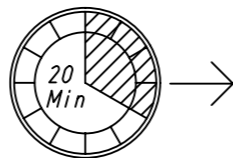
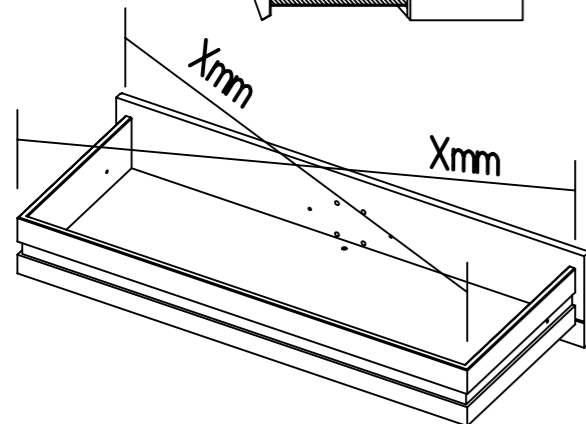
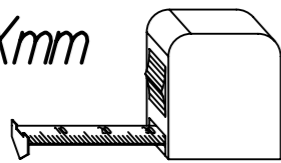
M2166

1

11

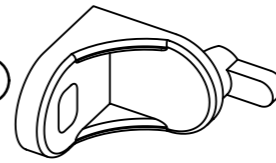


Xmm = Xmm

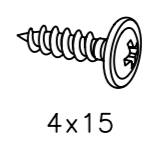


2

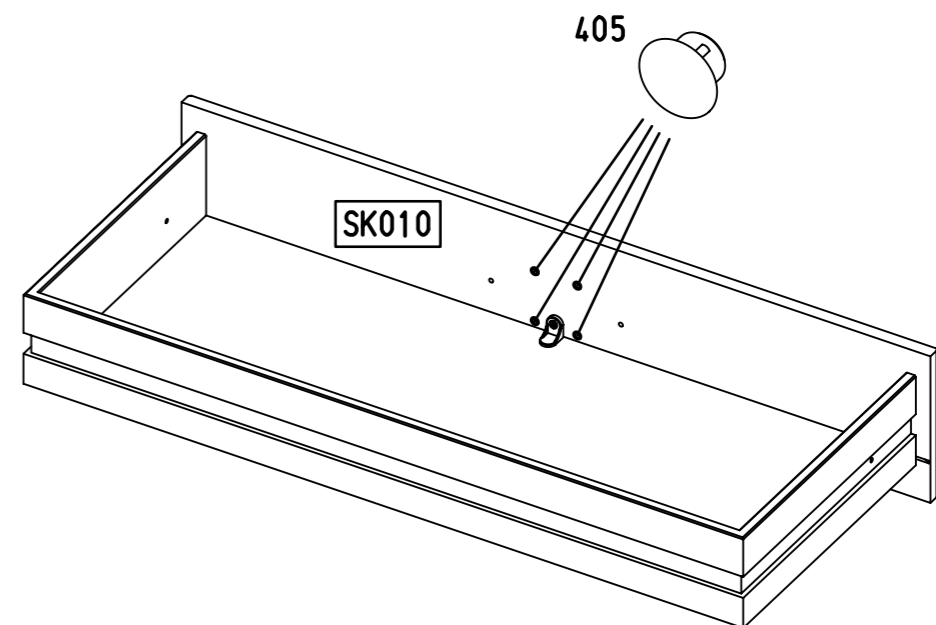
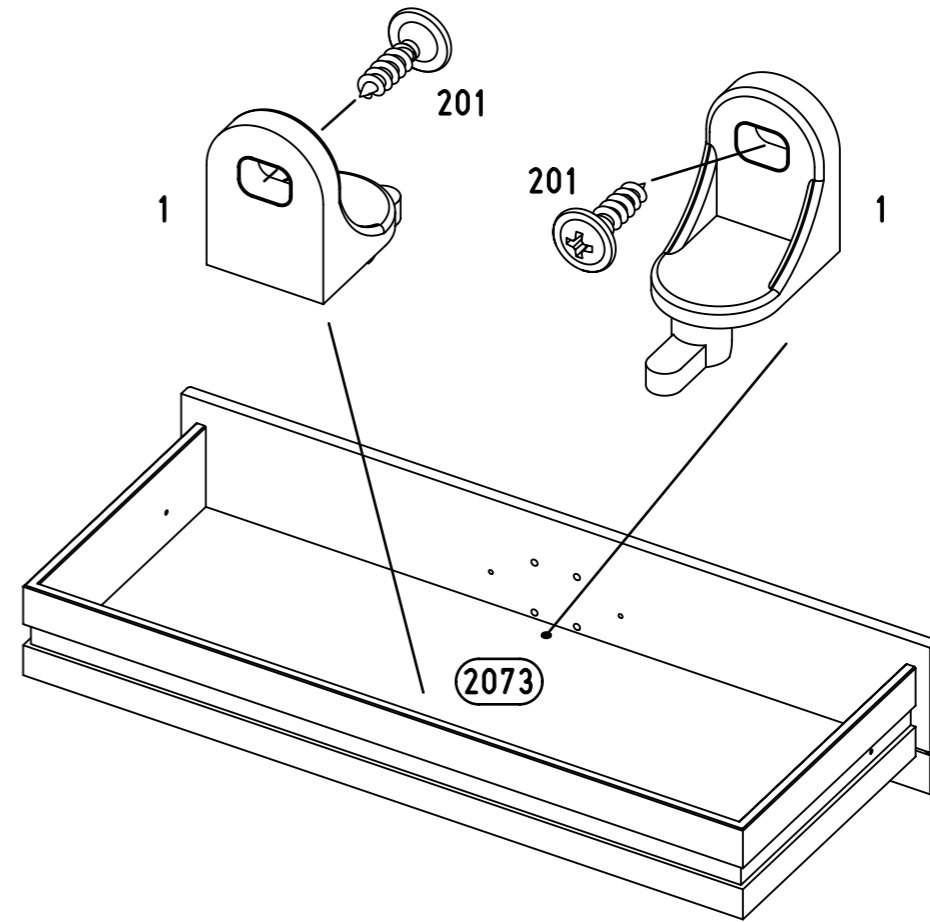
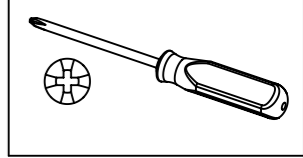
4x 1



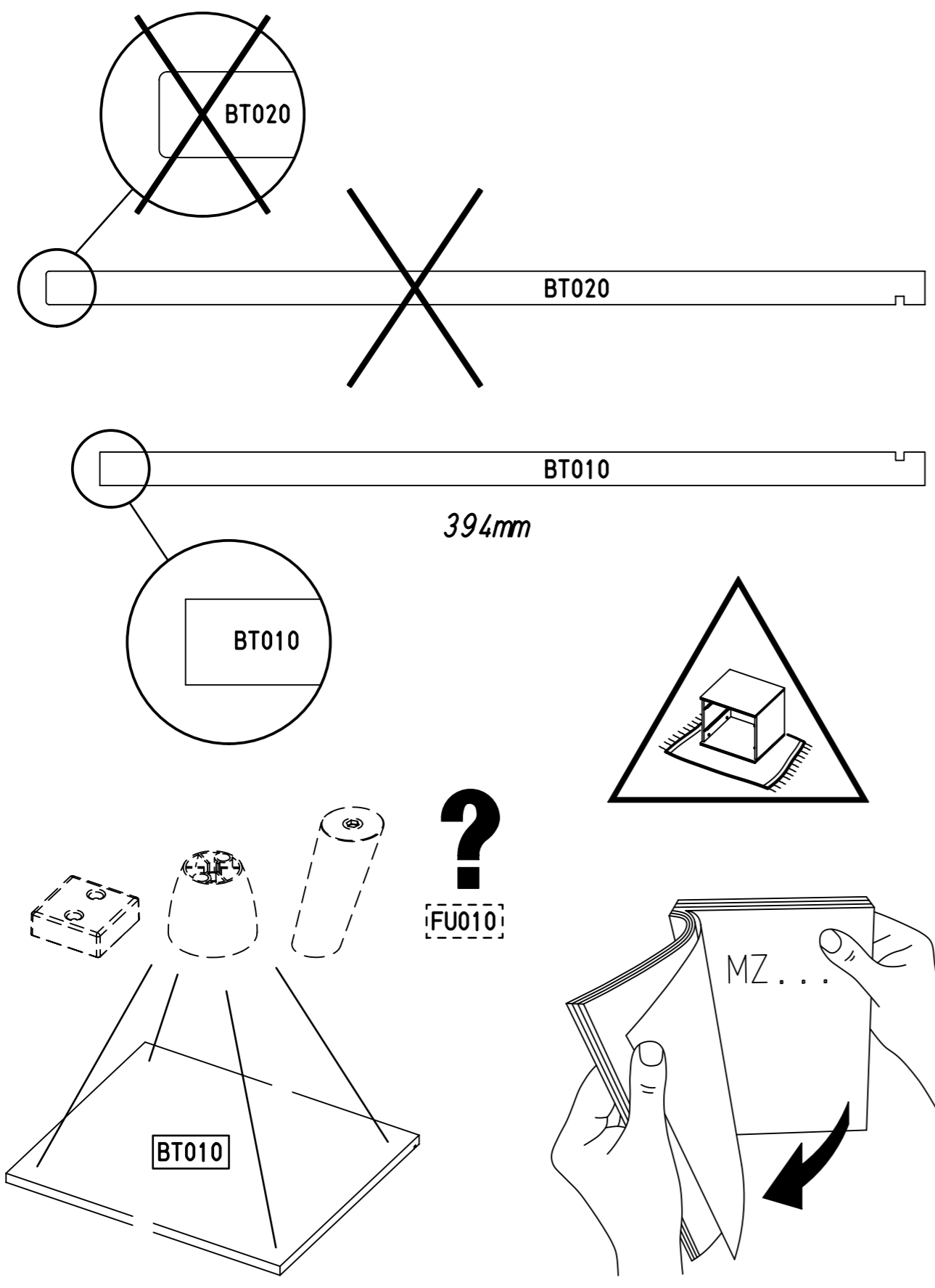
4x 201



16x 405

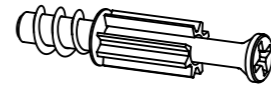


3

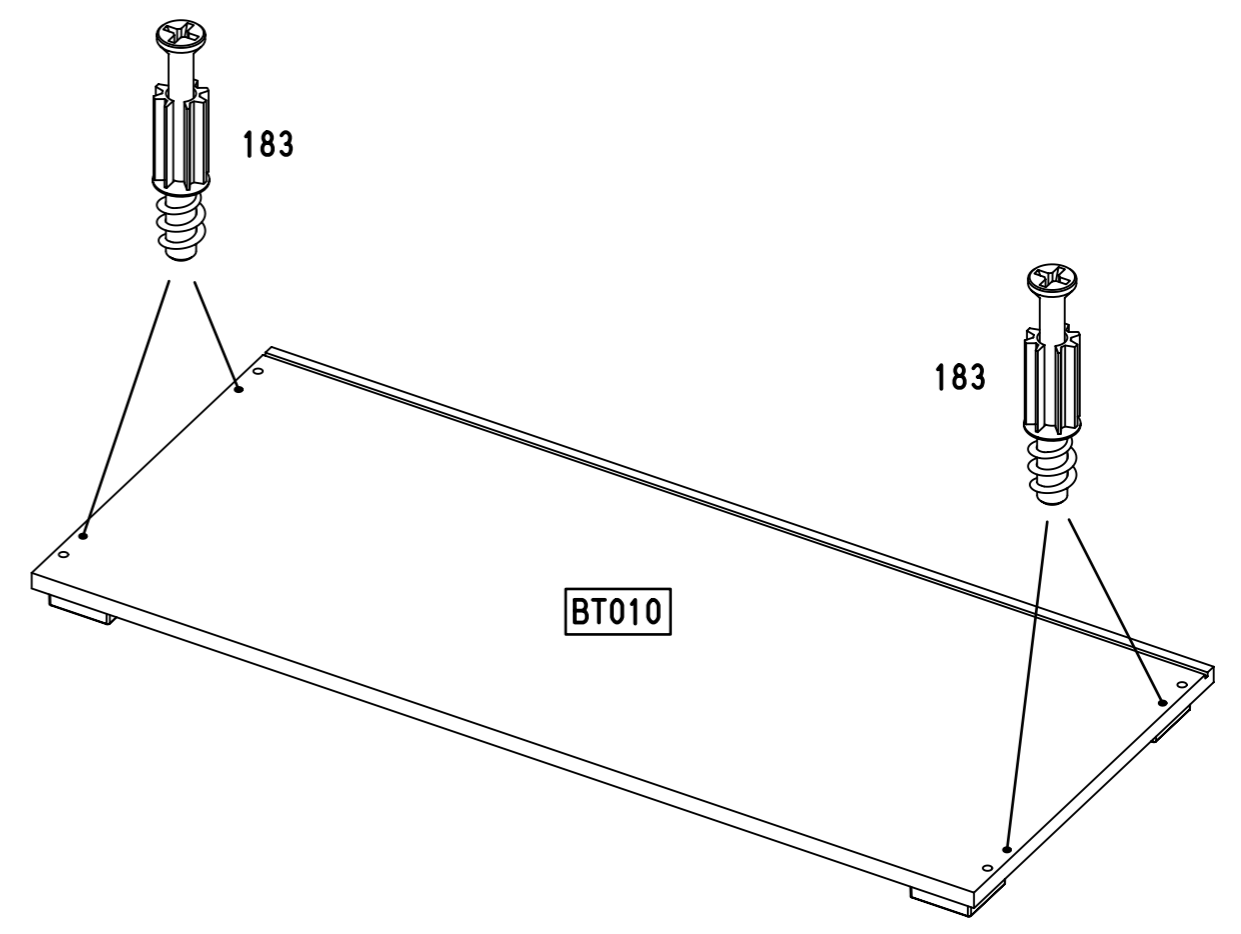
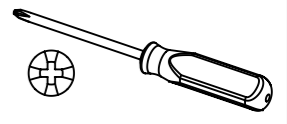


4

4x 183



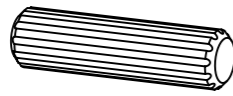
23/10x7,5



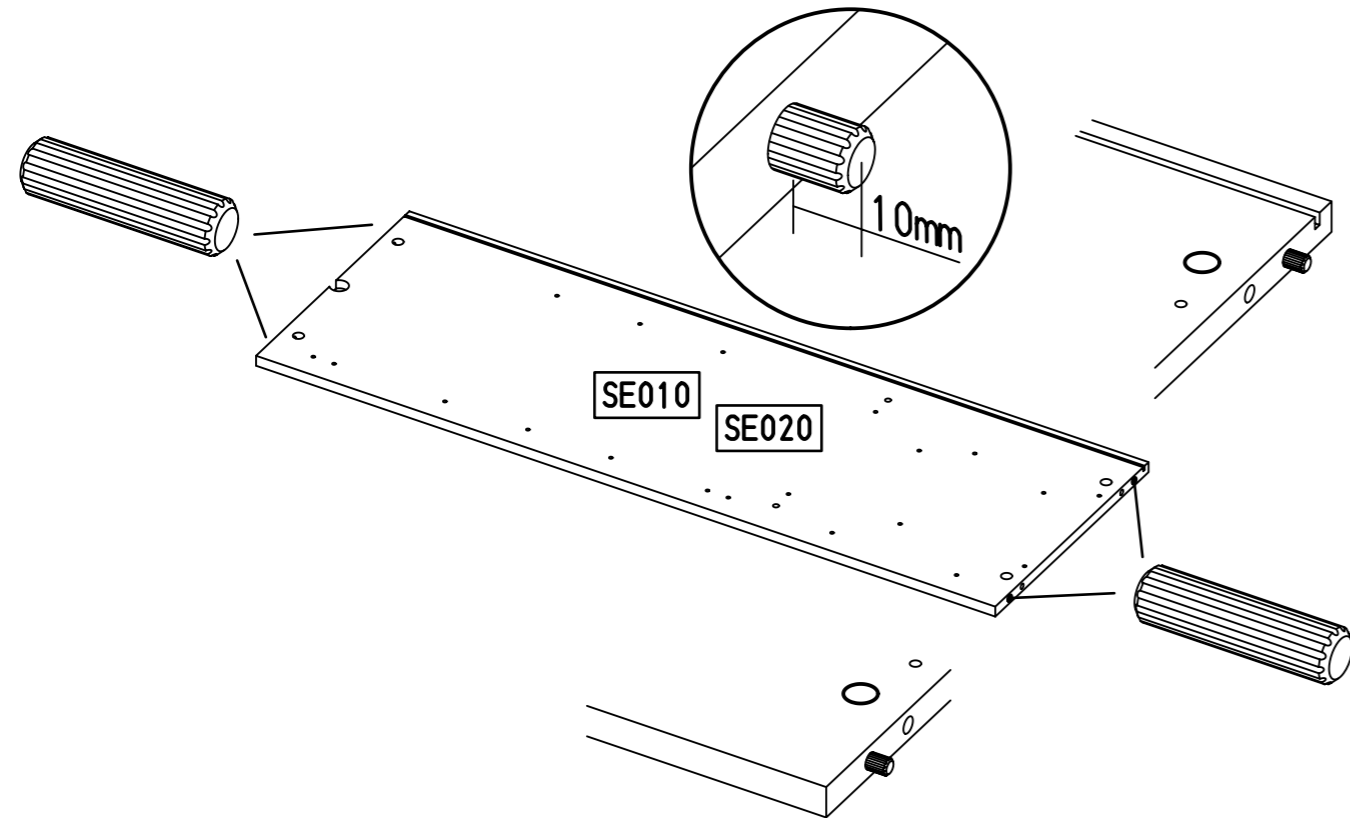
9.

5

8x 18

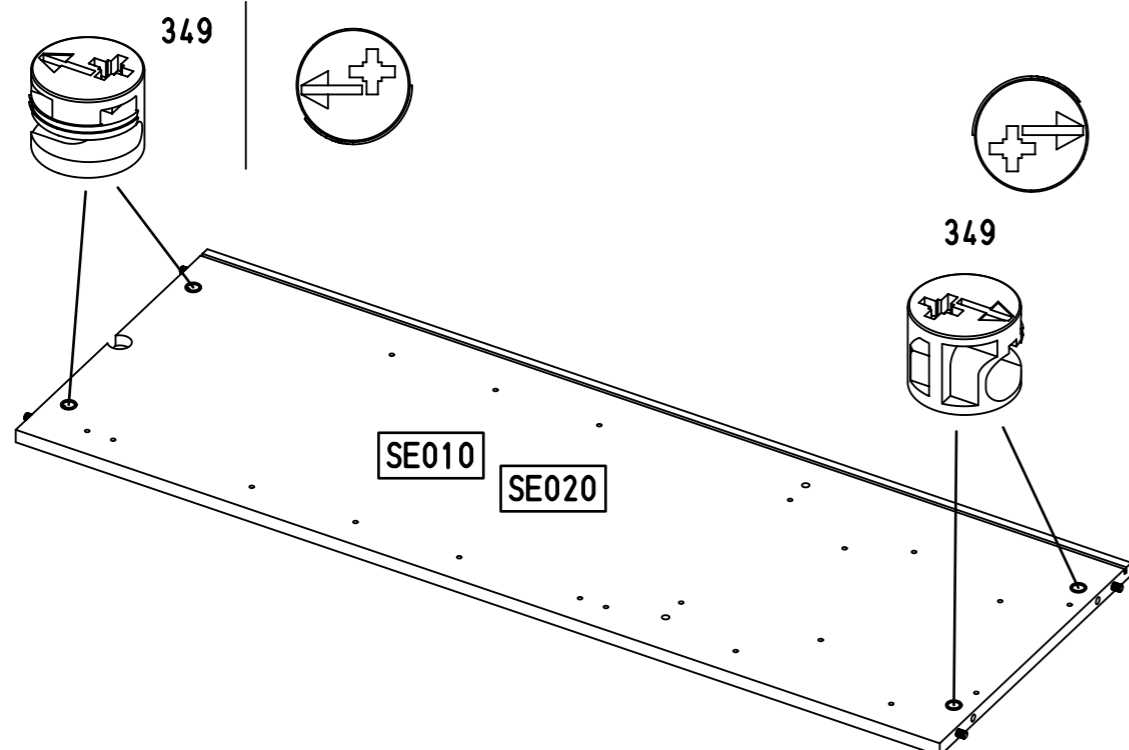
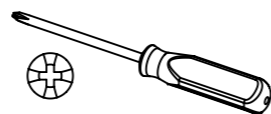
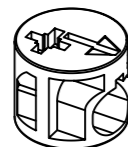


8x30



6

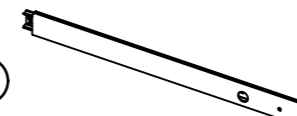
8x 349



10.

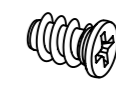
7

2x 259

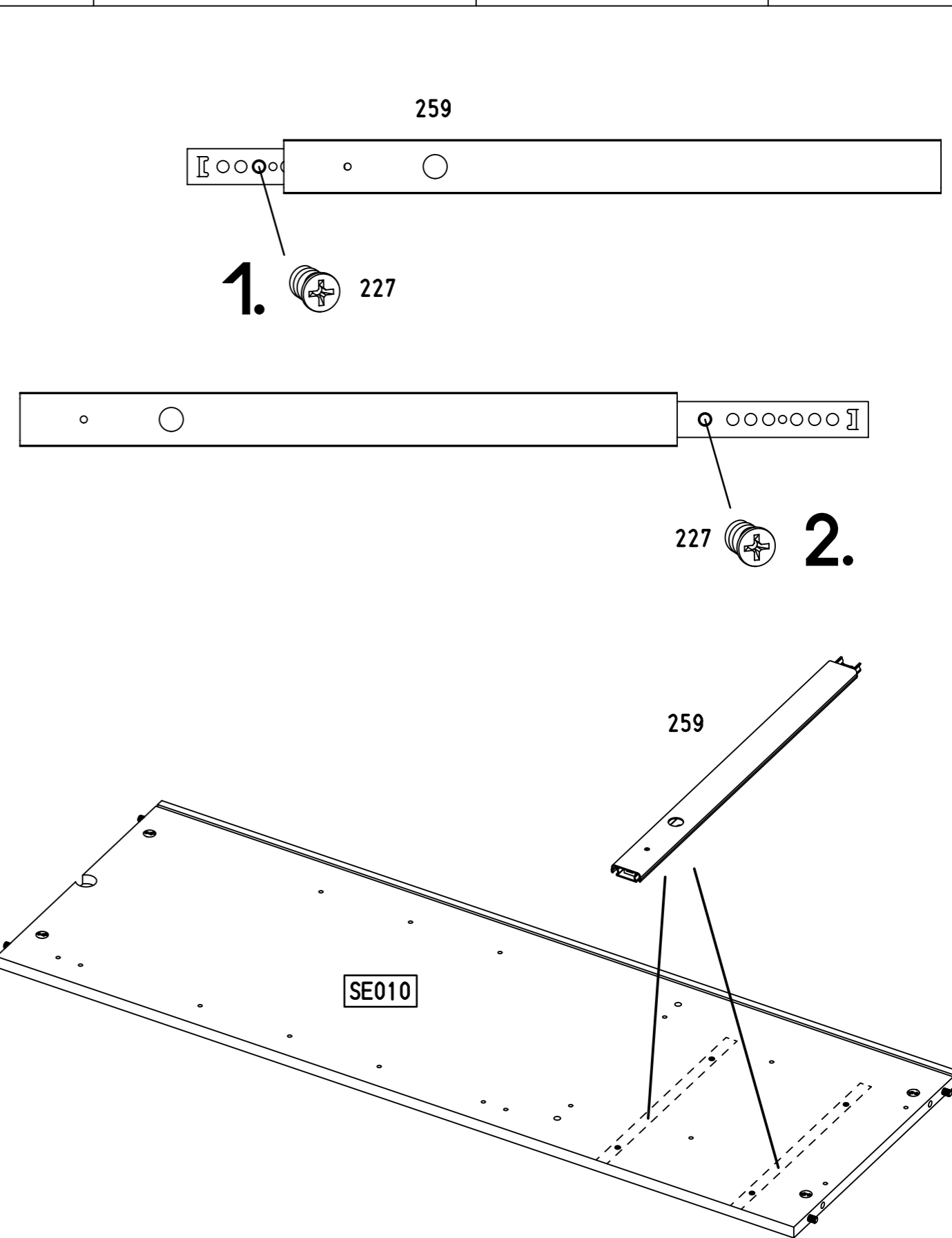
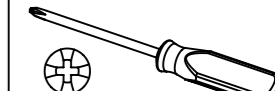


342x27x9,5

4x 227

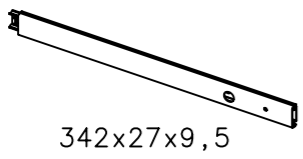


6x10,5



8

2x 259

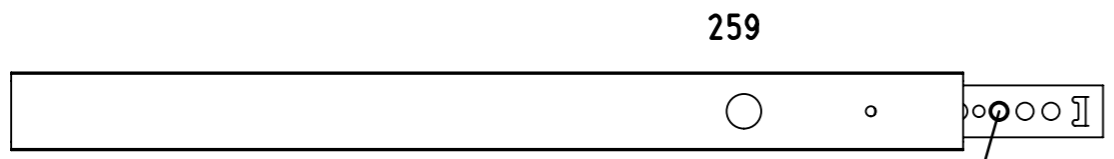
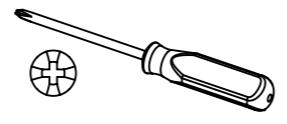


342x27x9,5

4x 227

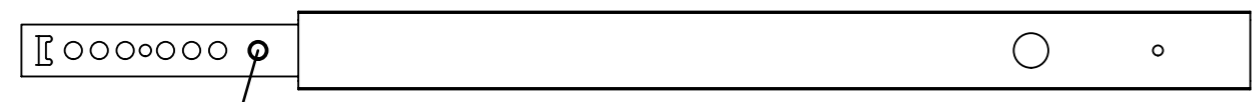


6x10,5

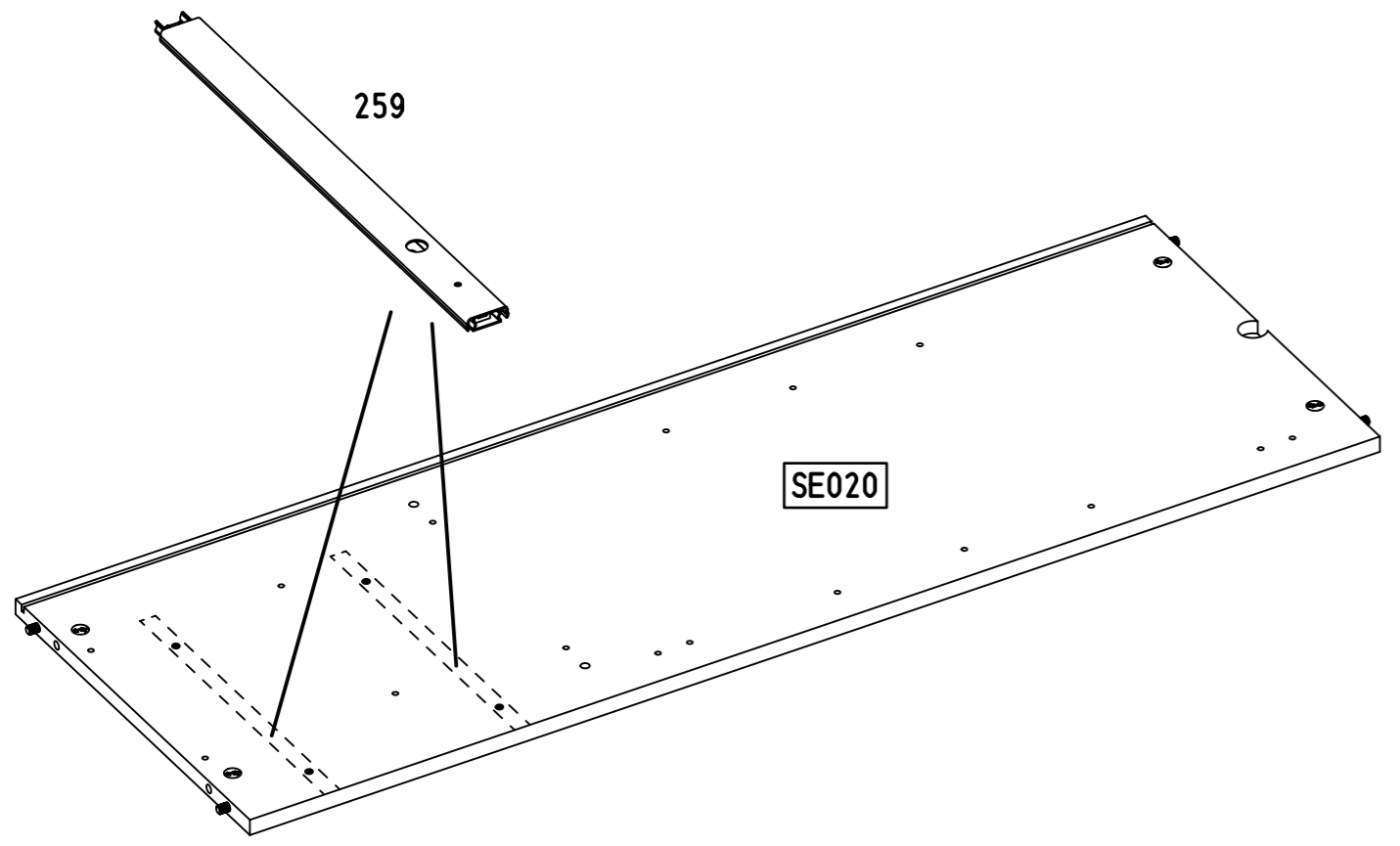


259

227 1.



2. 227



259

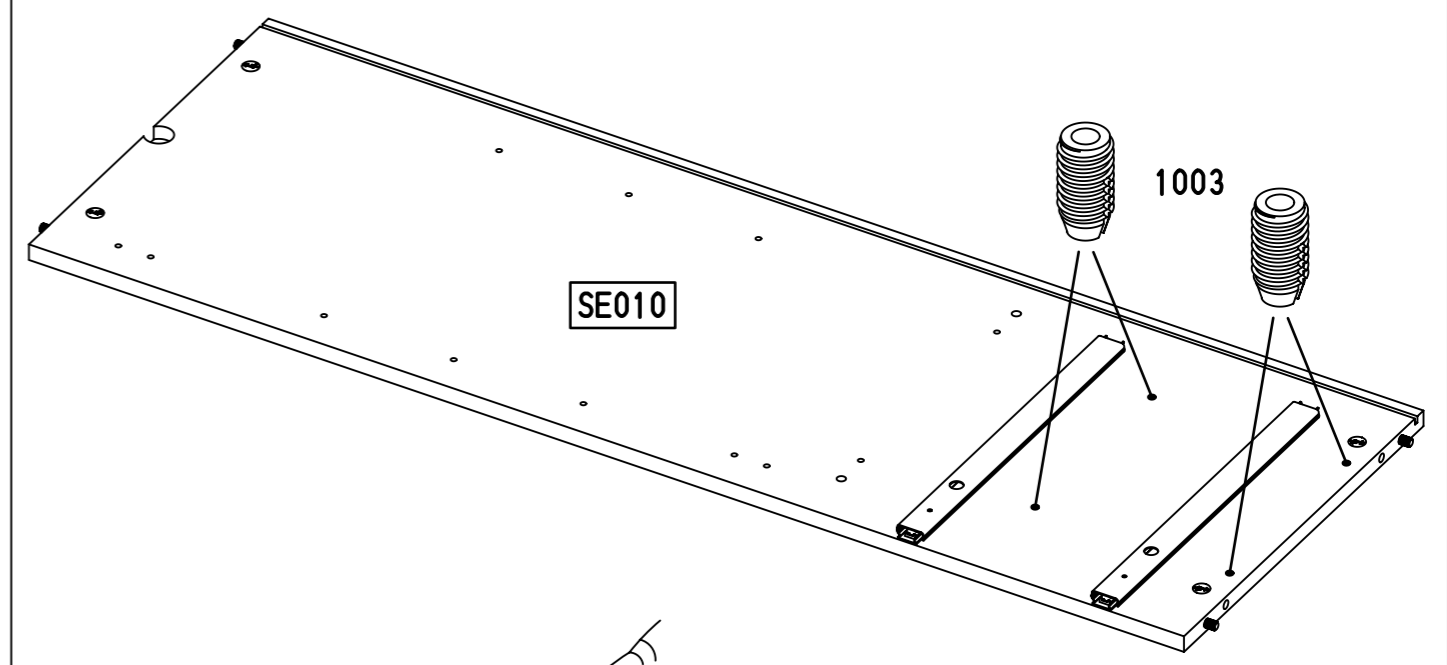
SE020

9

8x 1003

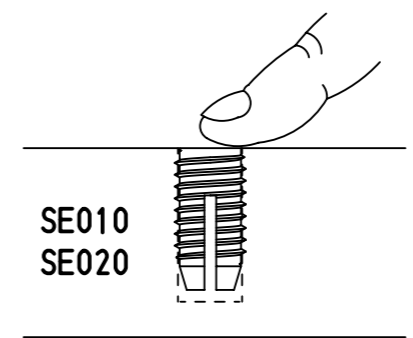


6x12

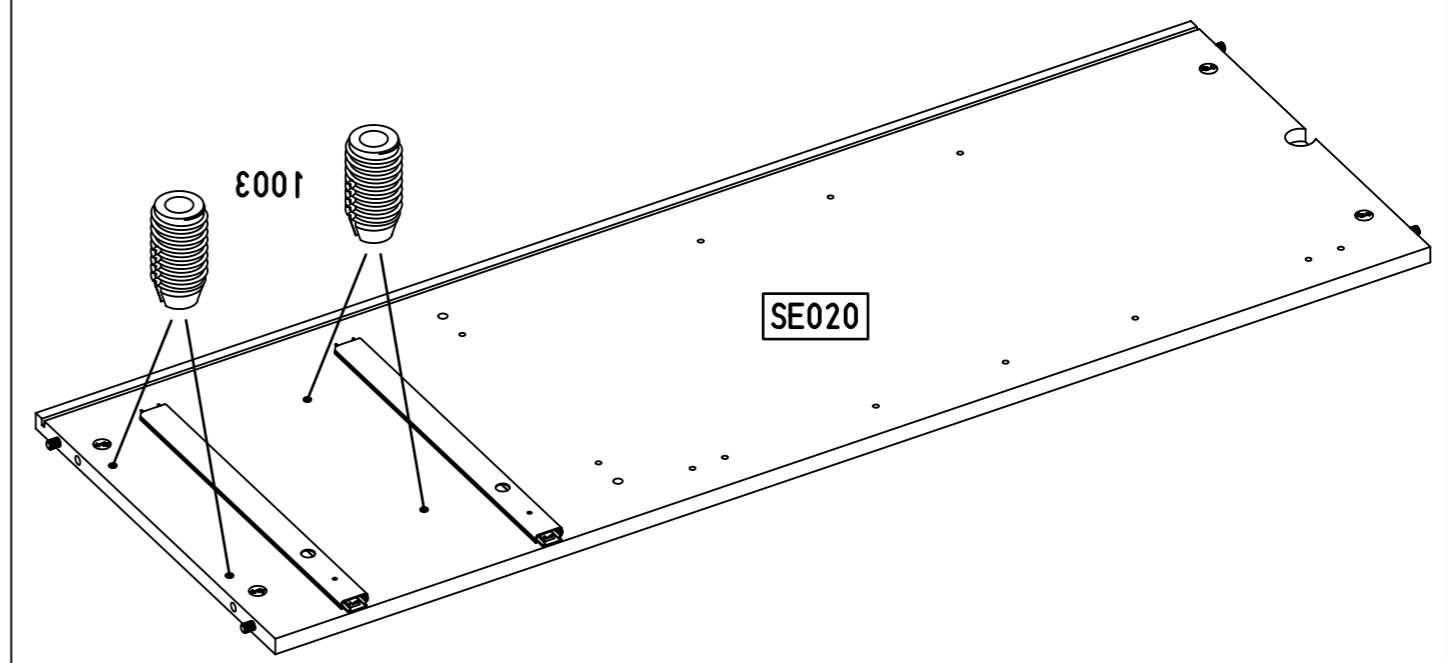


SE010

1003



SE010
SE020



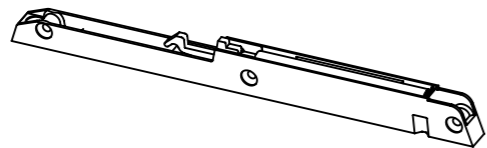
1003

SE020

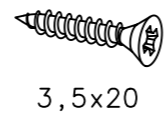
13.

10

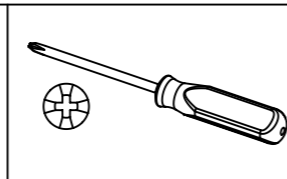
2x 1000



6x 1002



3,5x20

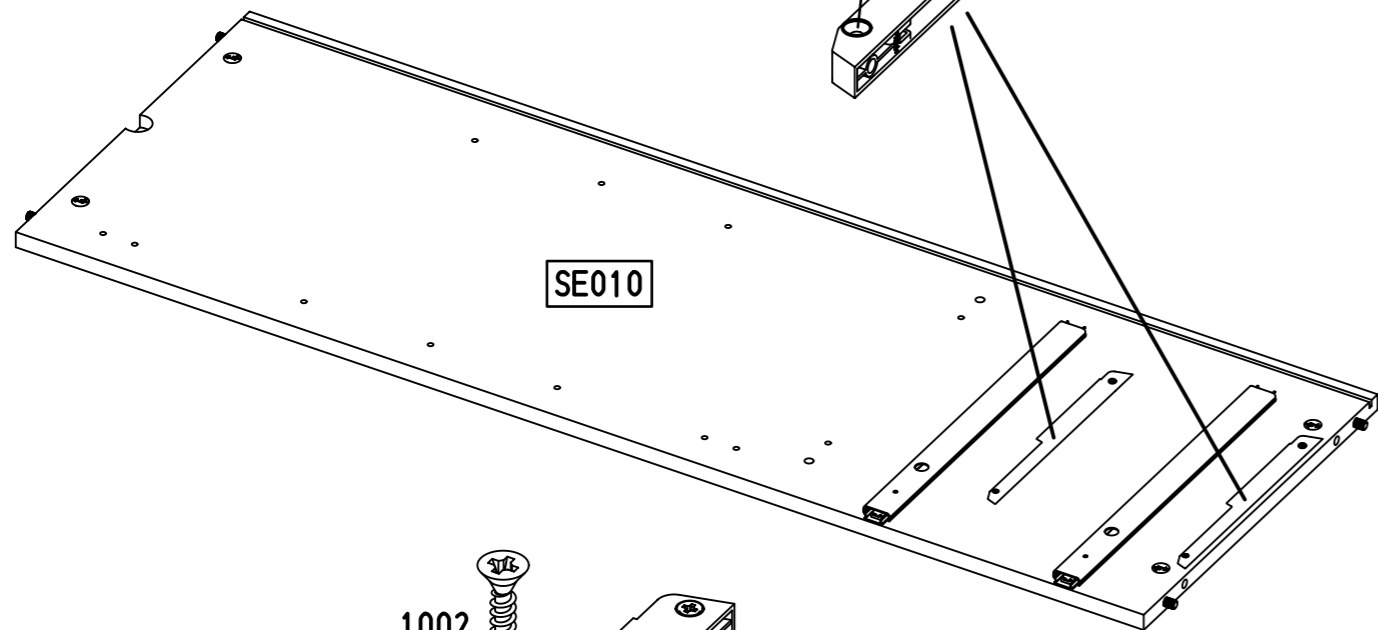


1.



1002

1000

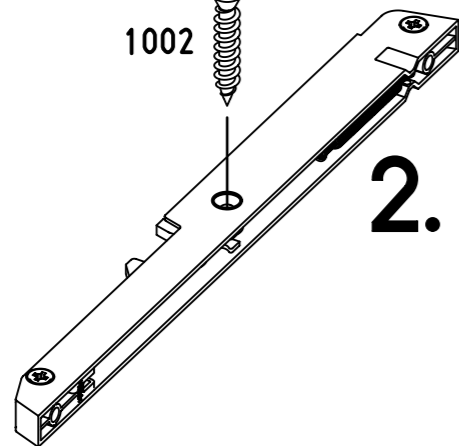


SE010

1002



2.

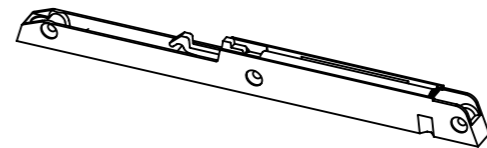


M2166

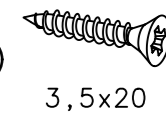
14.

11

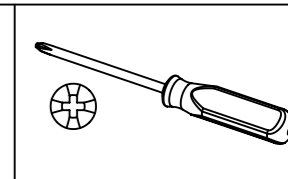
2x 1000



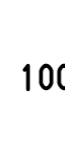
6x 1002



3,5x20

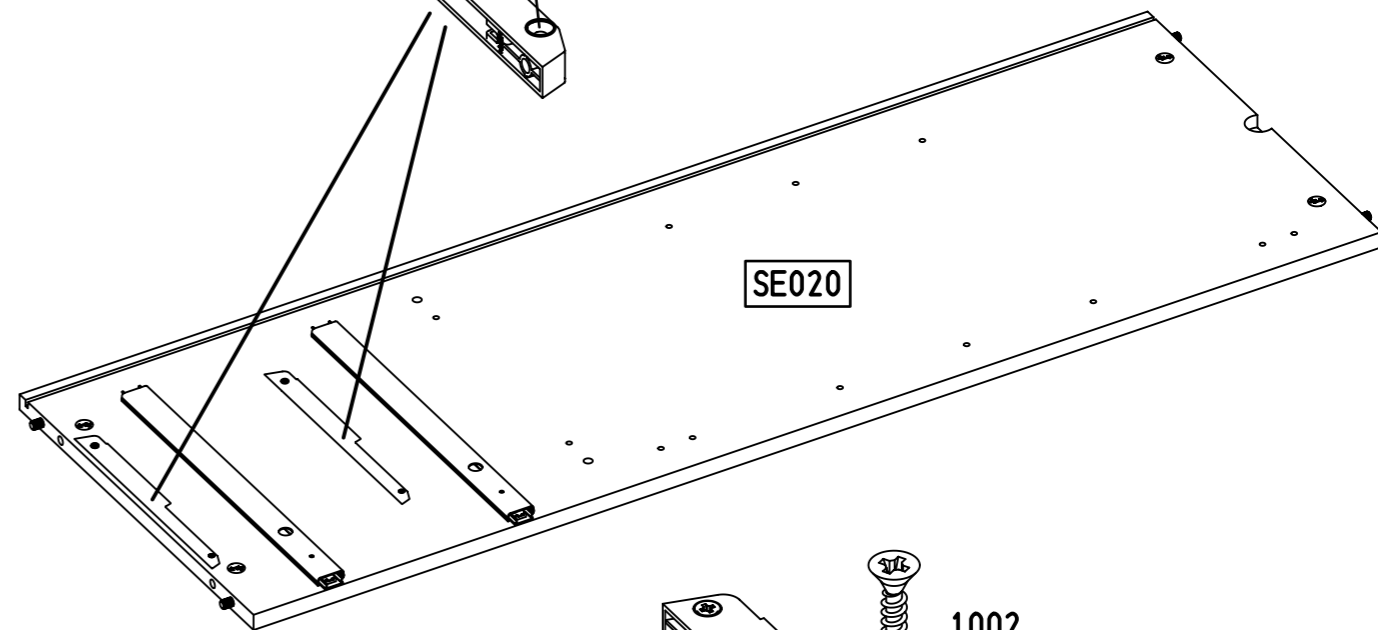


1.



1002

1000

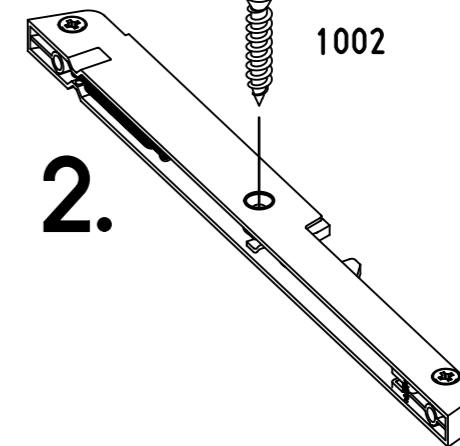


SE020

1002



2.



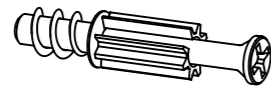
M2166

15.

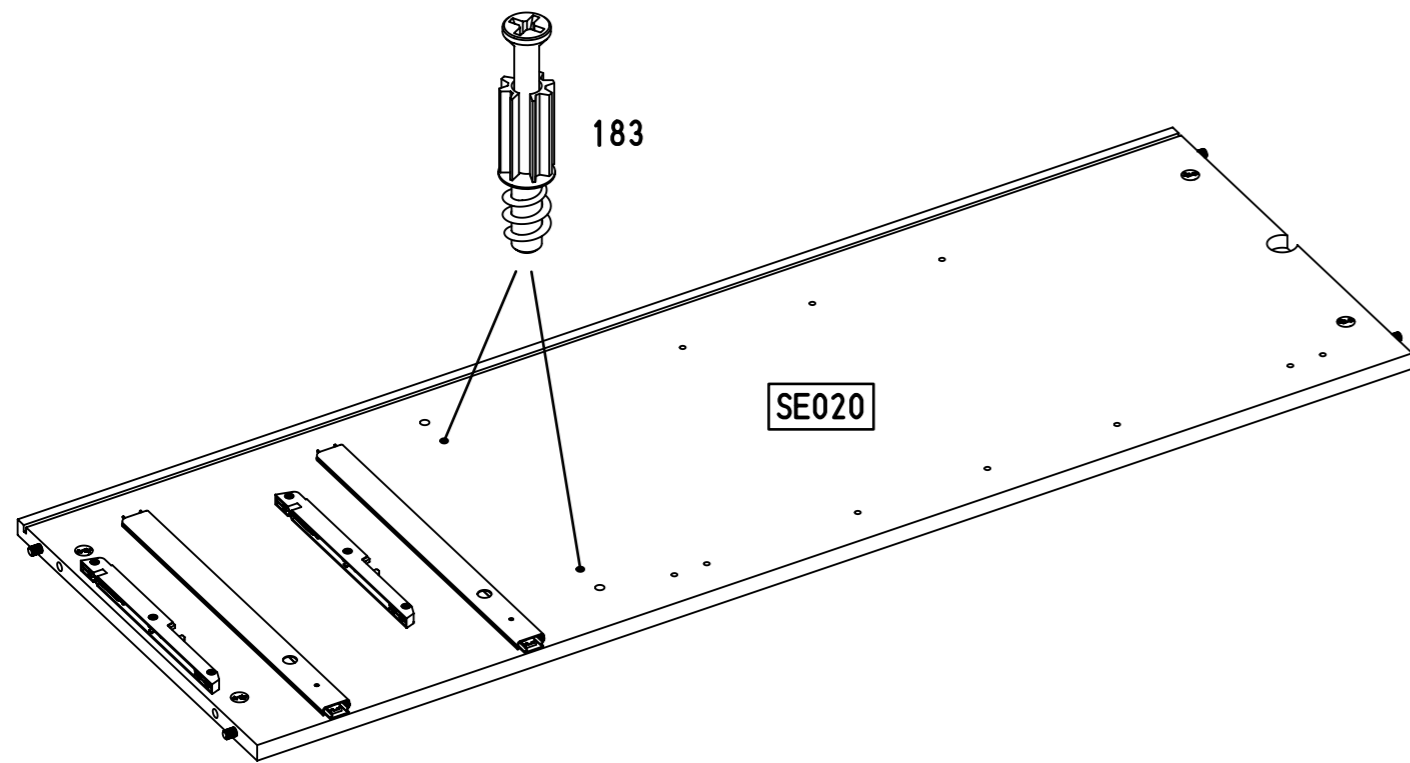
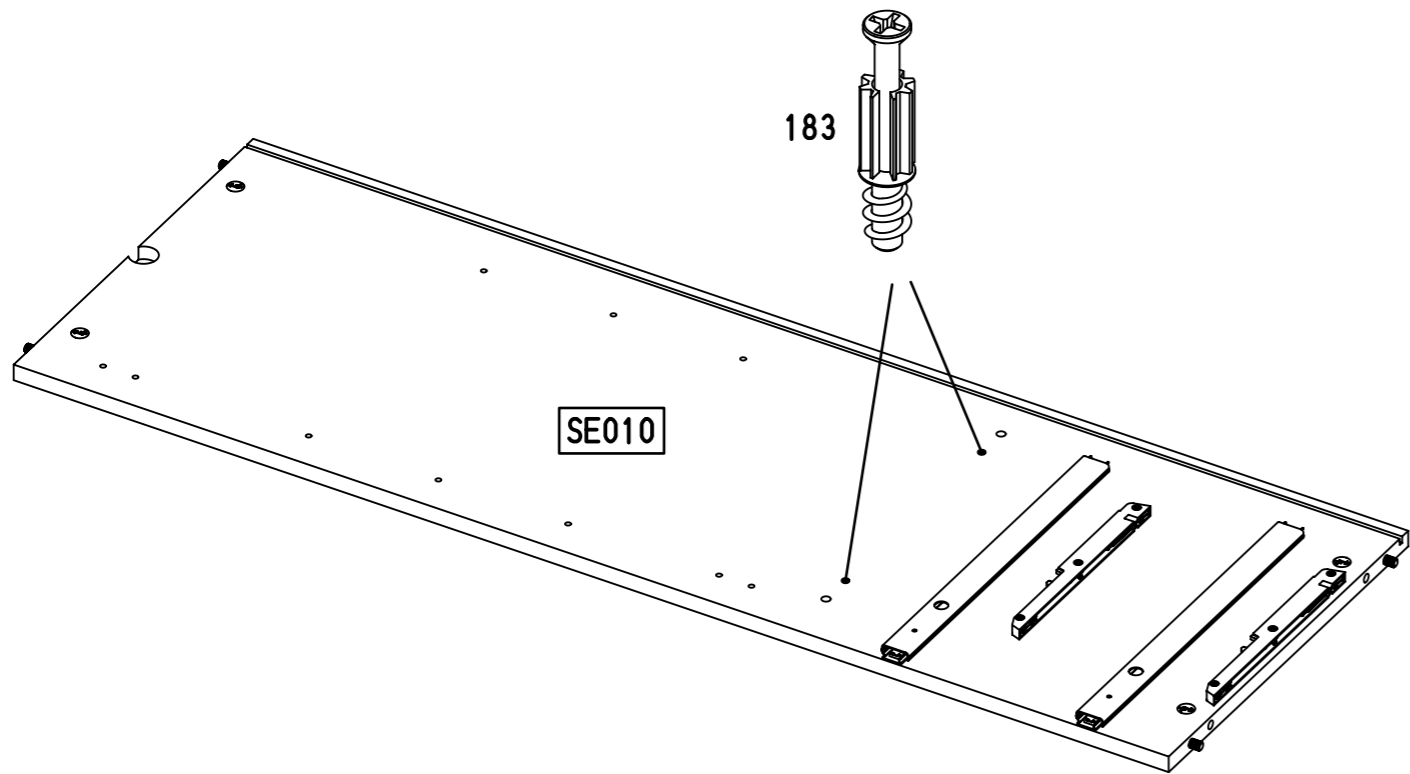
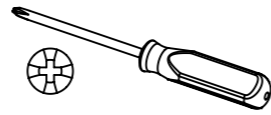
12

4x

183



23/10x7,5



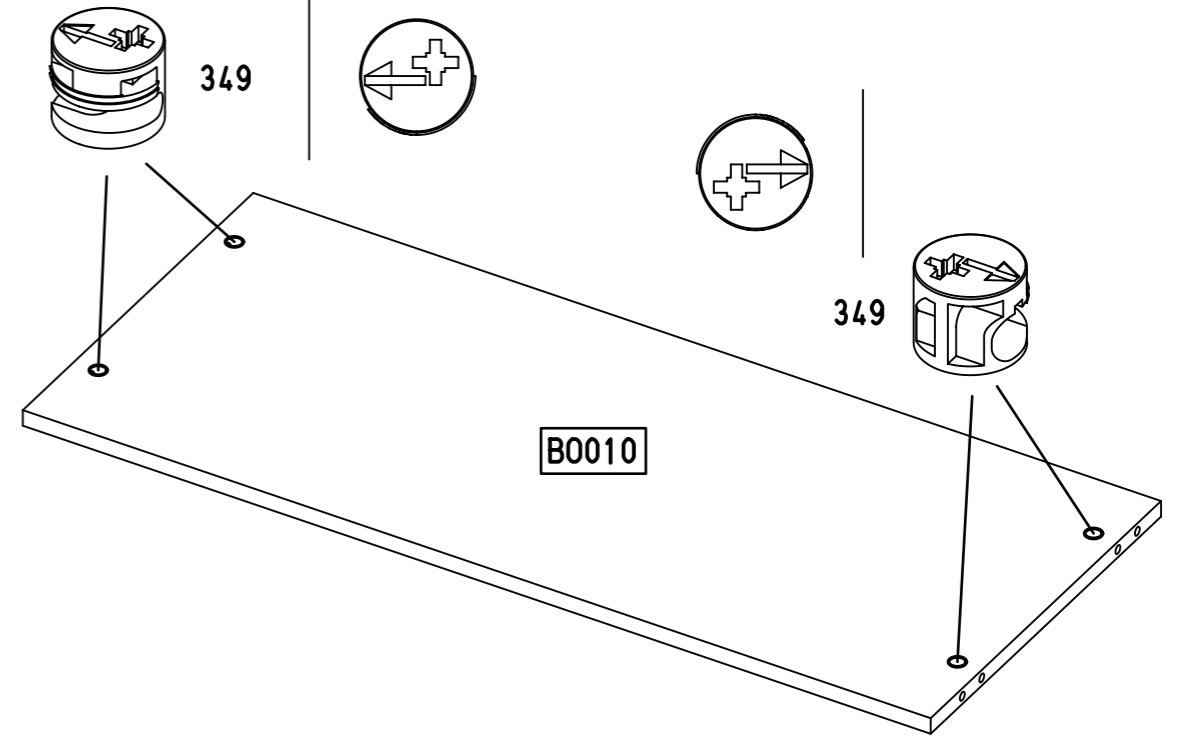
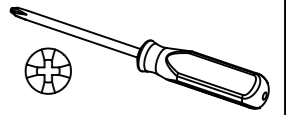
M2166

16.

13

4x

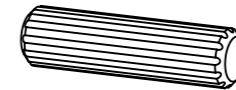
349



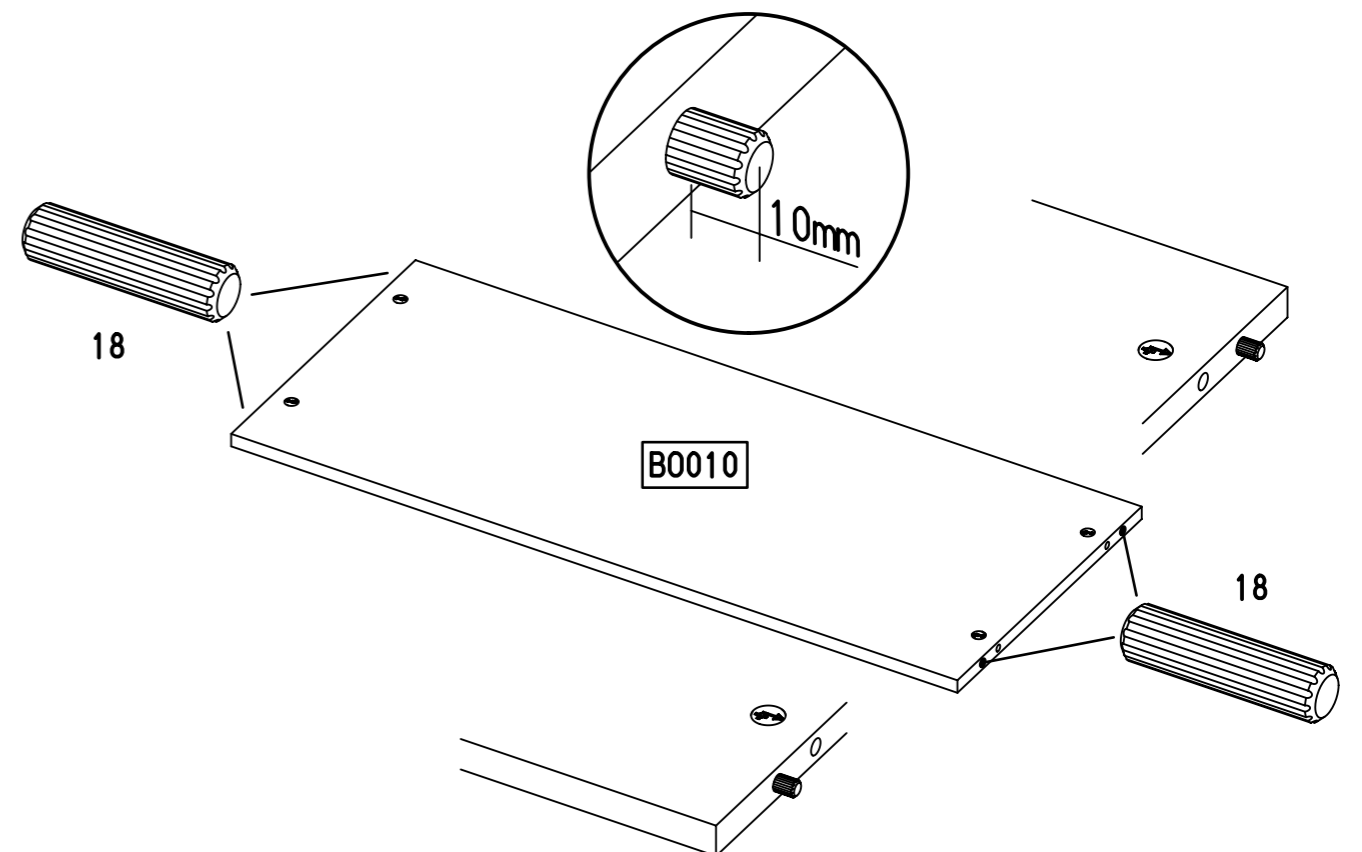
14

4x

18

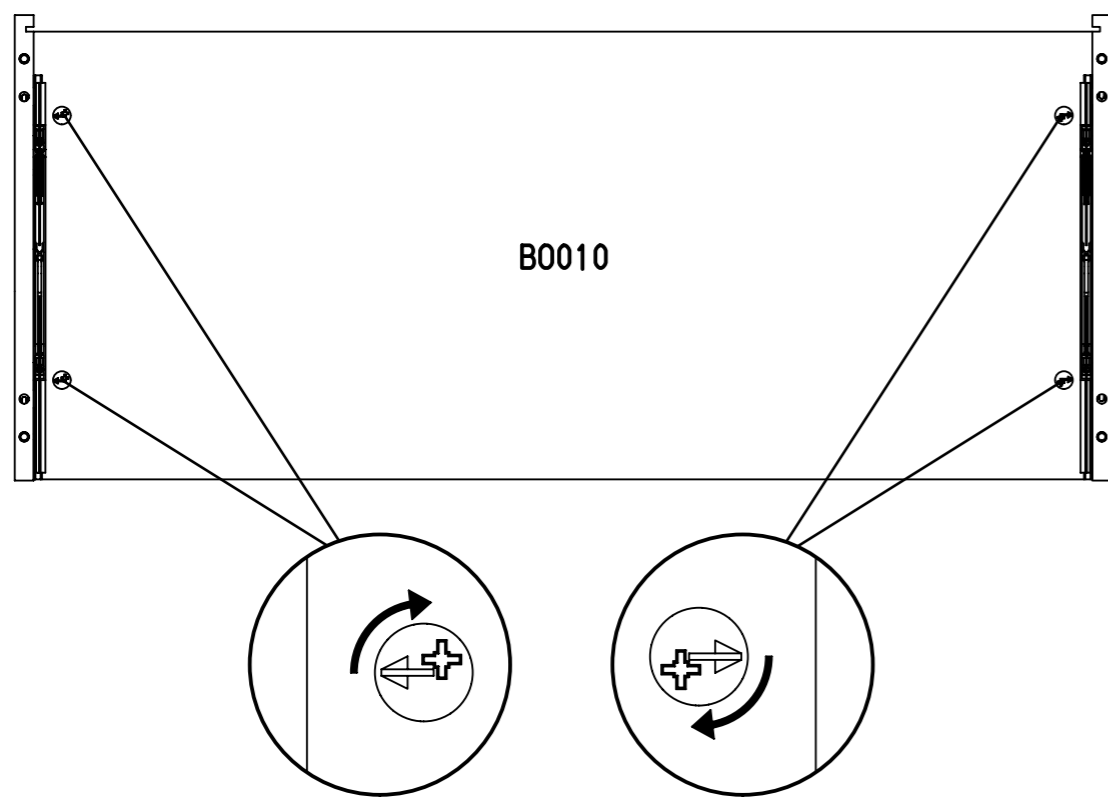
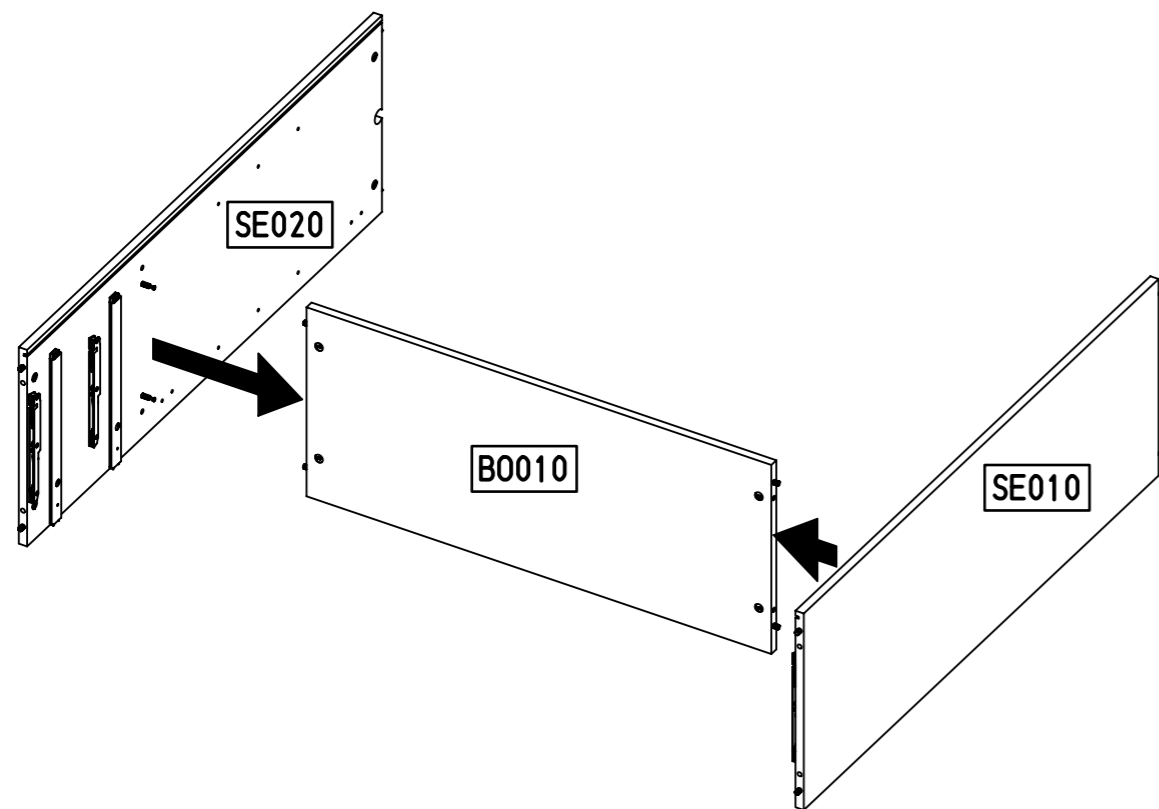
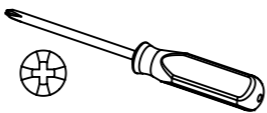


8x30

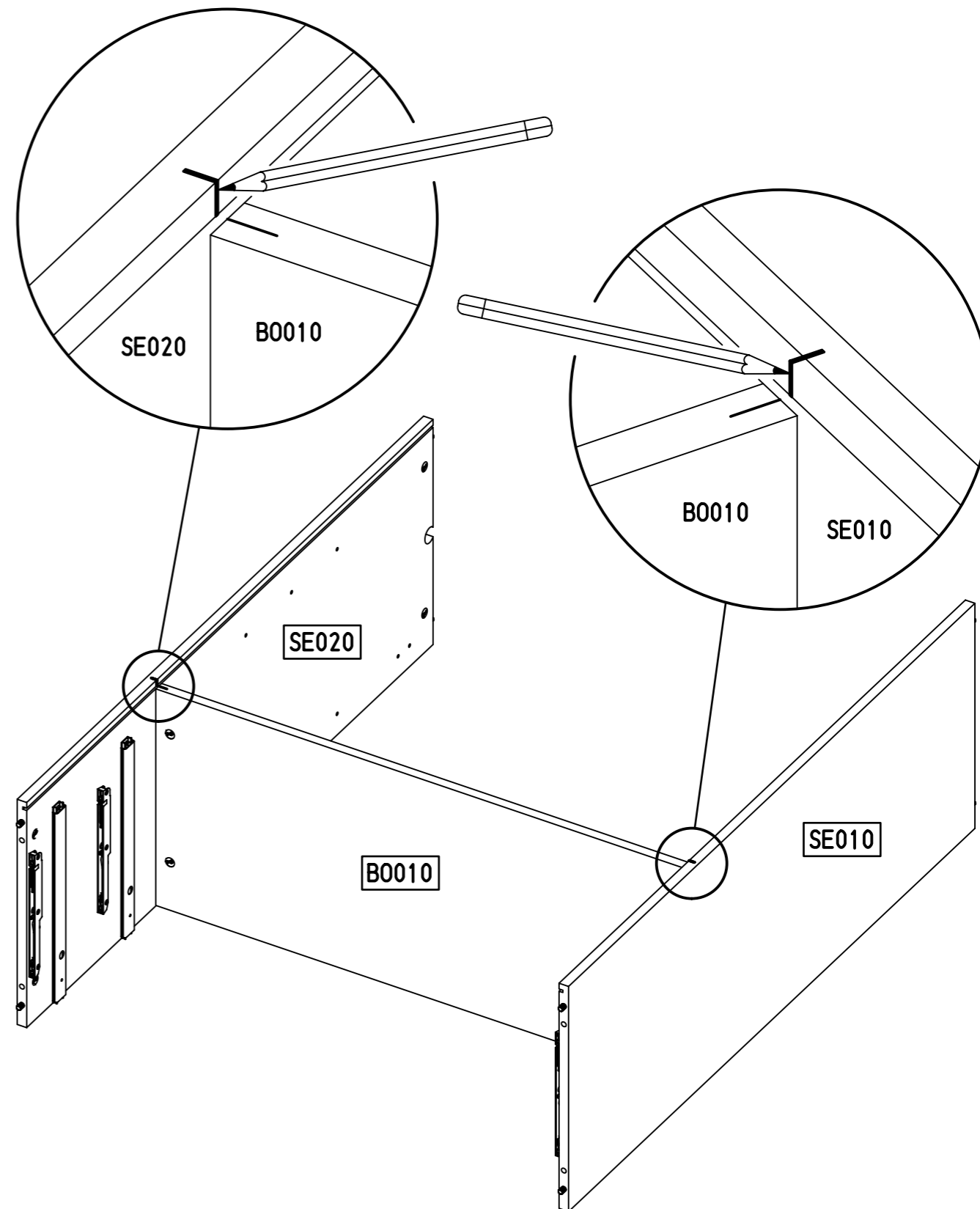


M2166

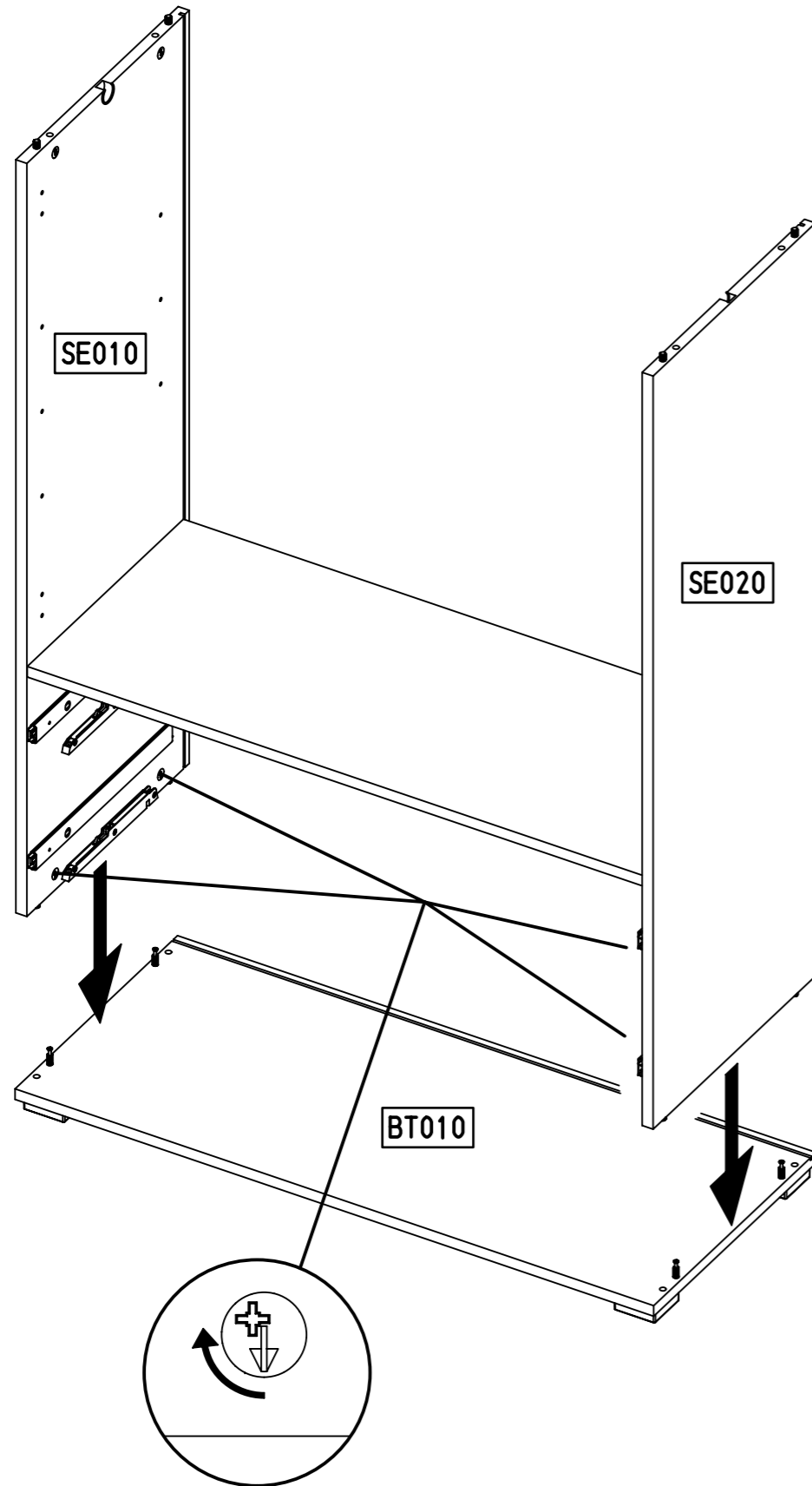
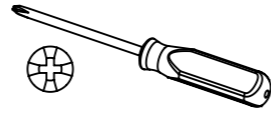
15



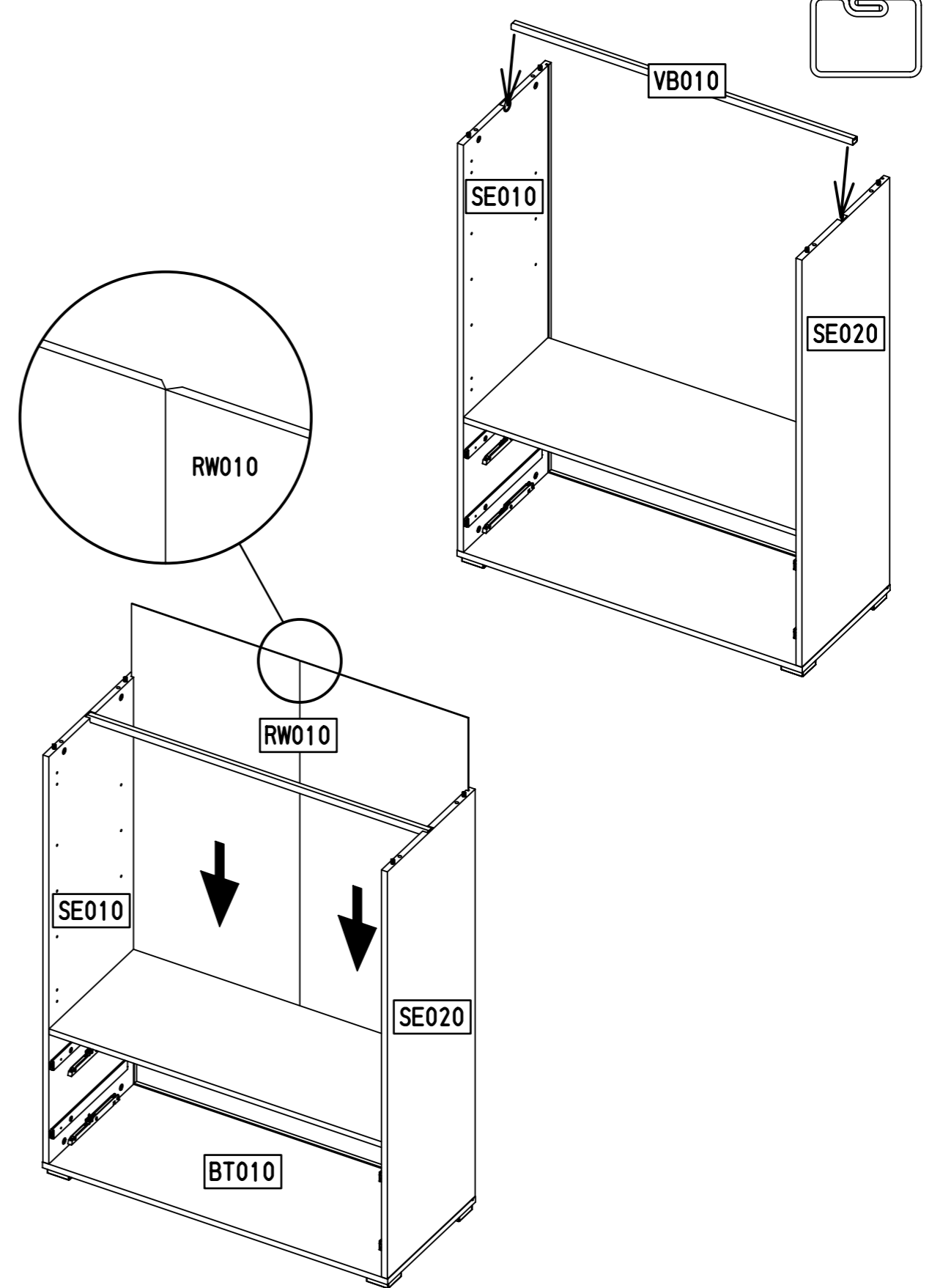
16



17



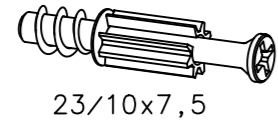
18



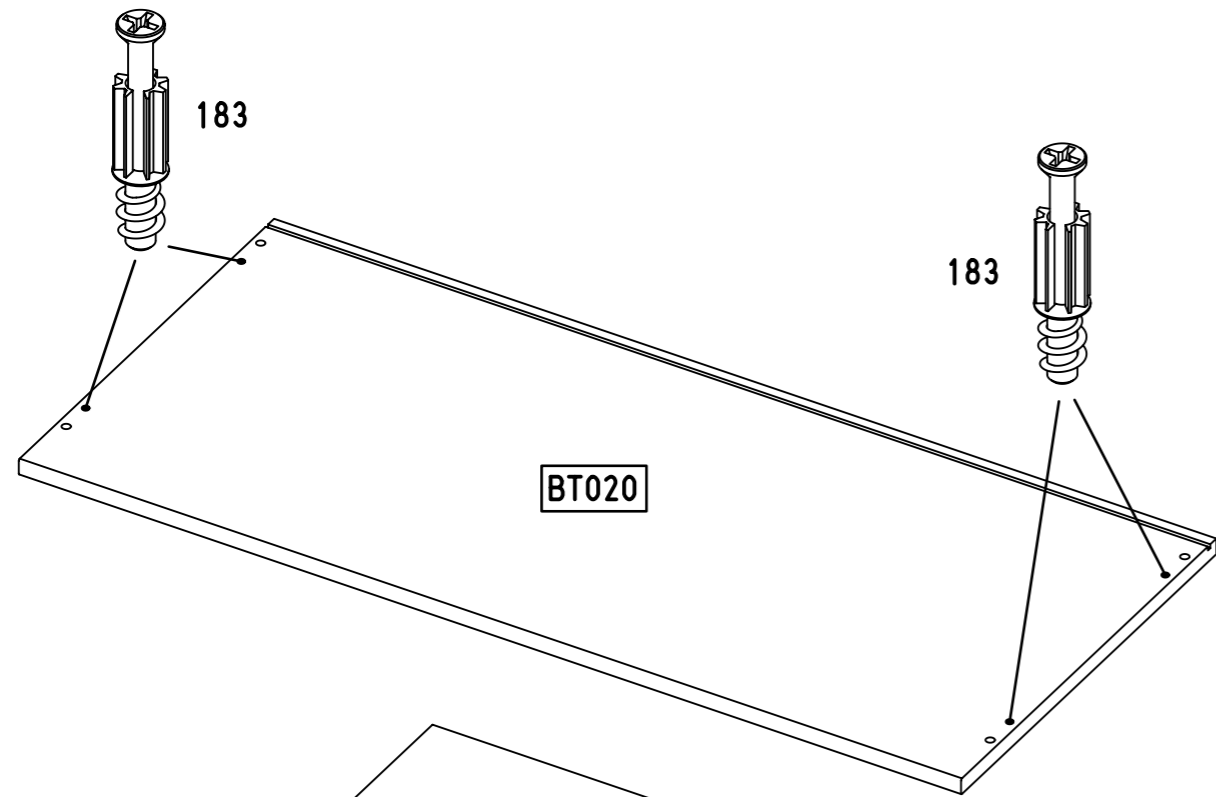
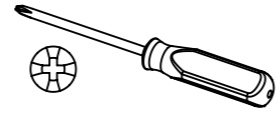
19

4x

183



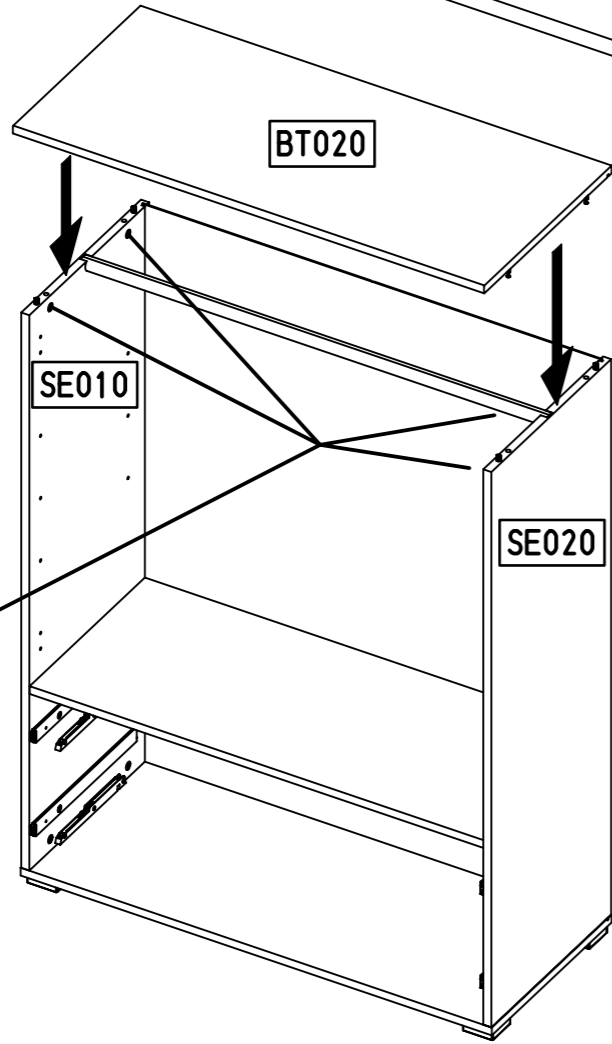
23/10x7,5



BT020

183

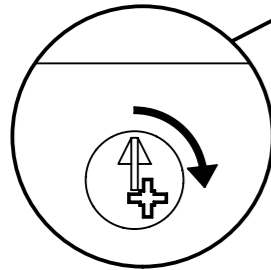
183



BT020

SE010

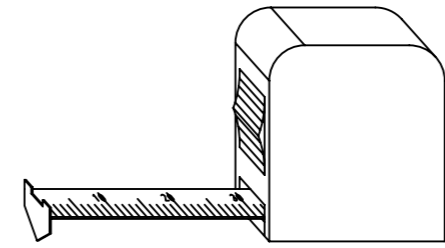
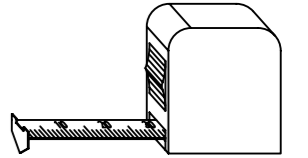
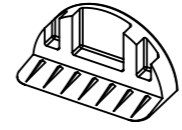
SE020



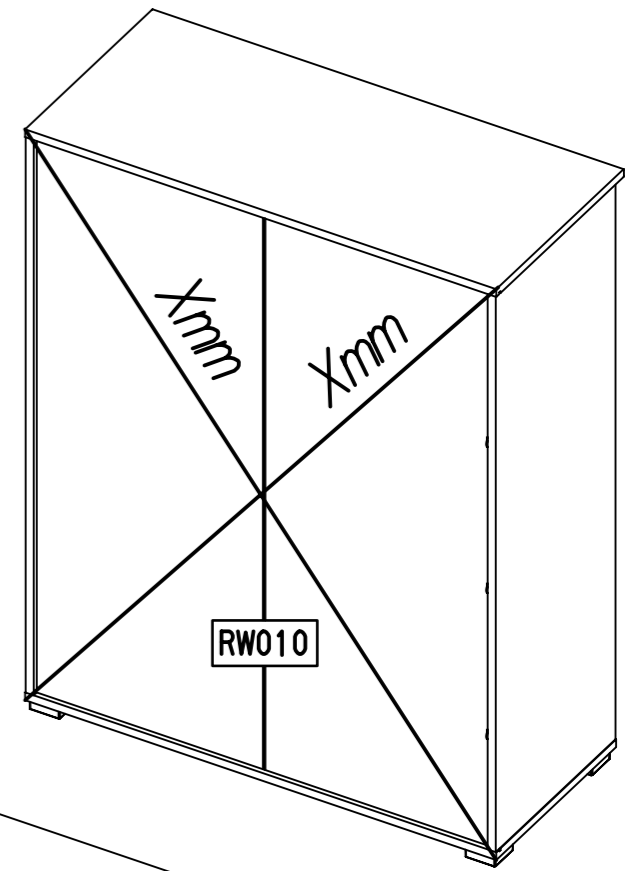
20

6x

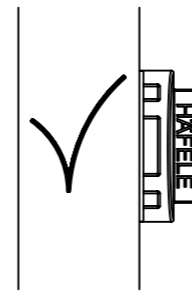
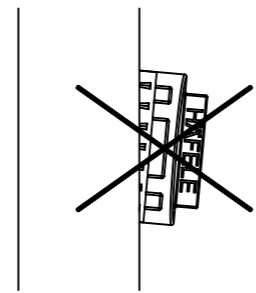
1090



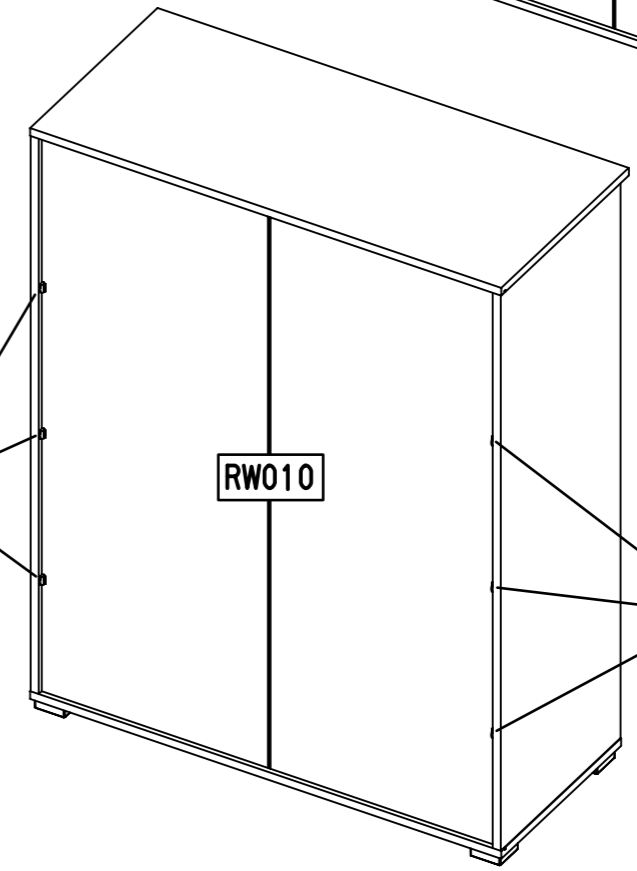
Xmm = Xmm



RW010

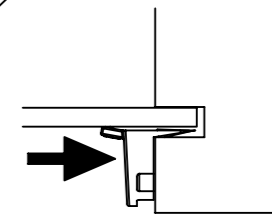
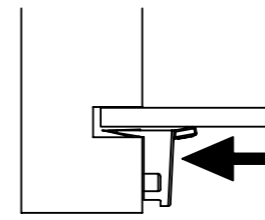


1090



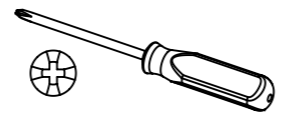
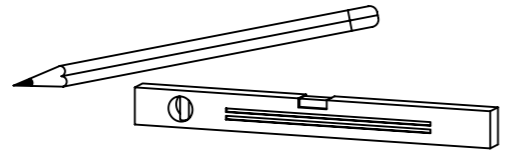
RW010

1090

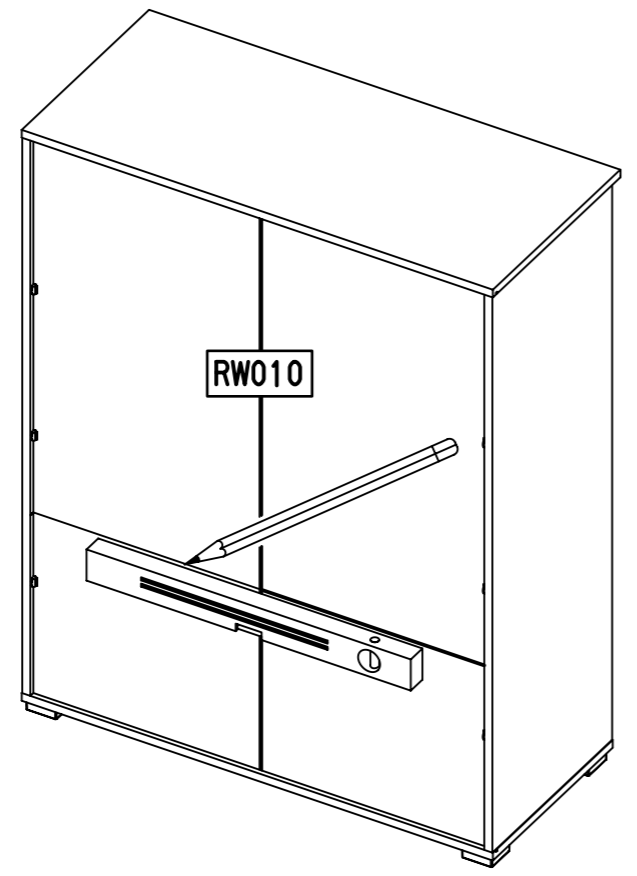


21

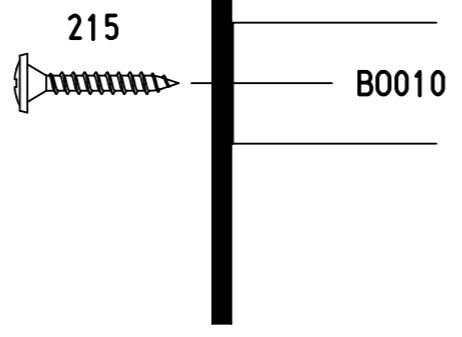
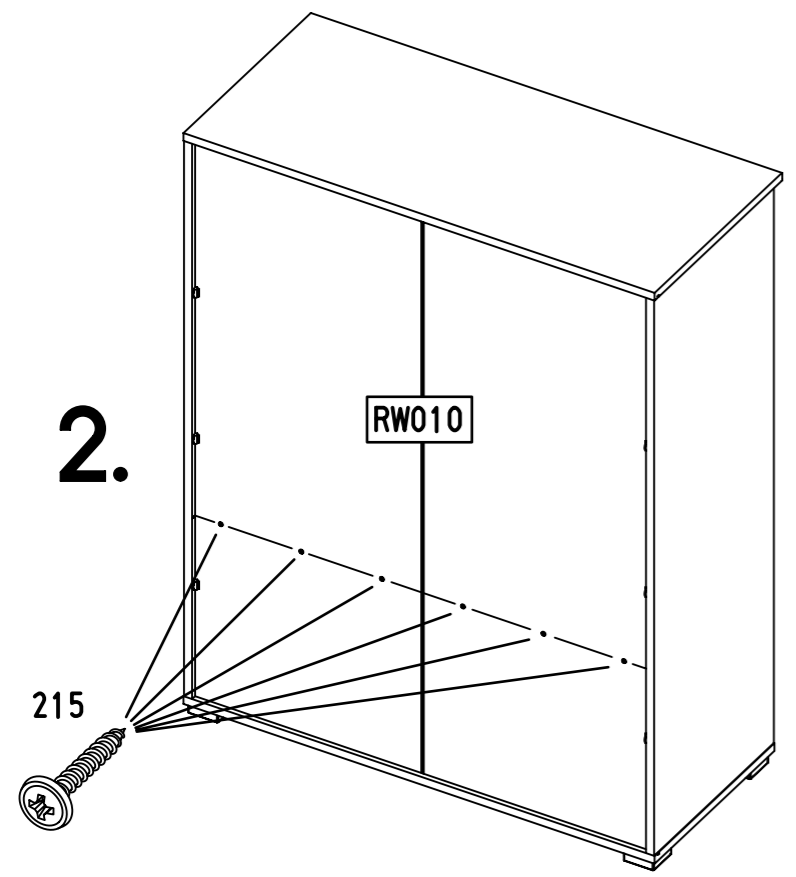
6x 215 3x20



1.

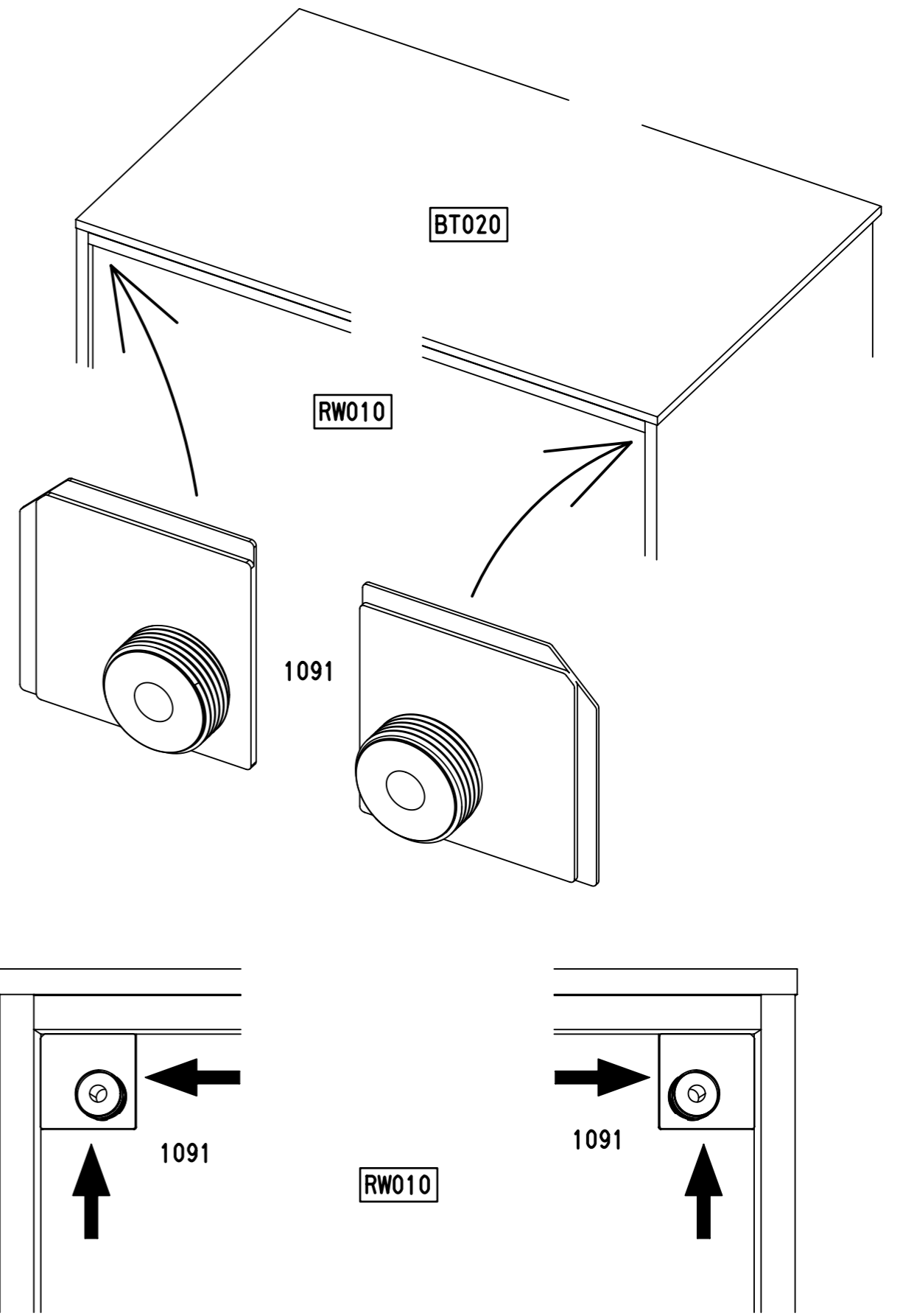
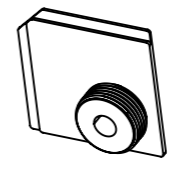


2.



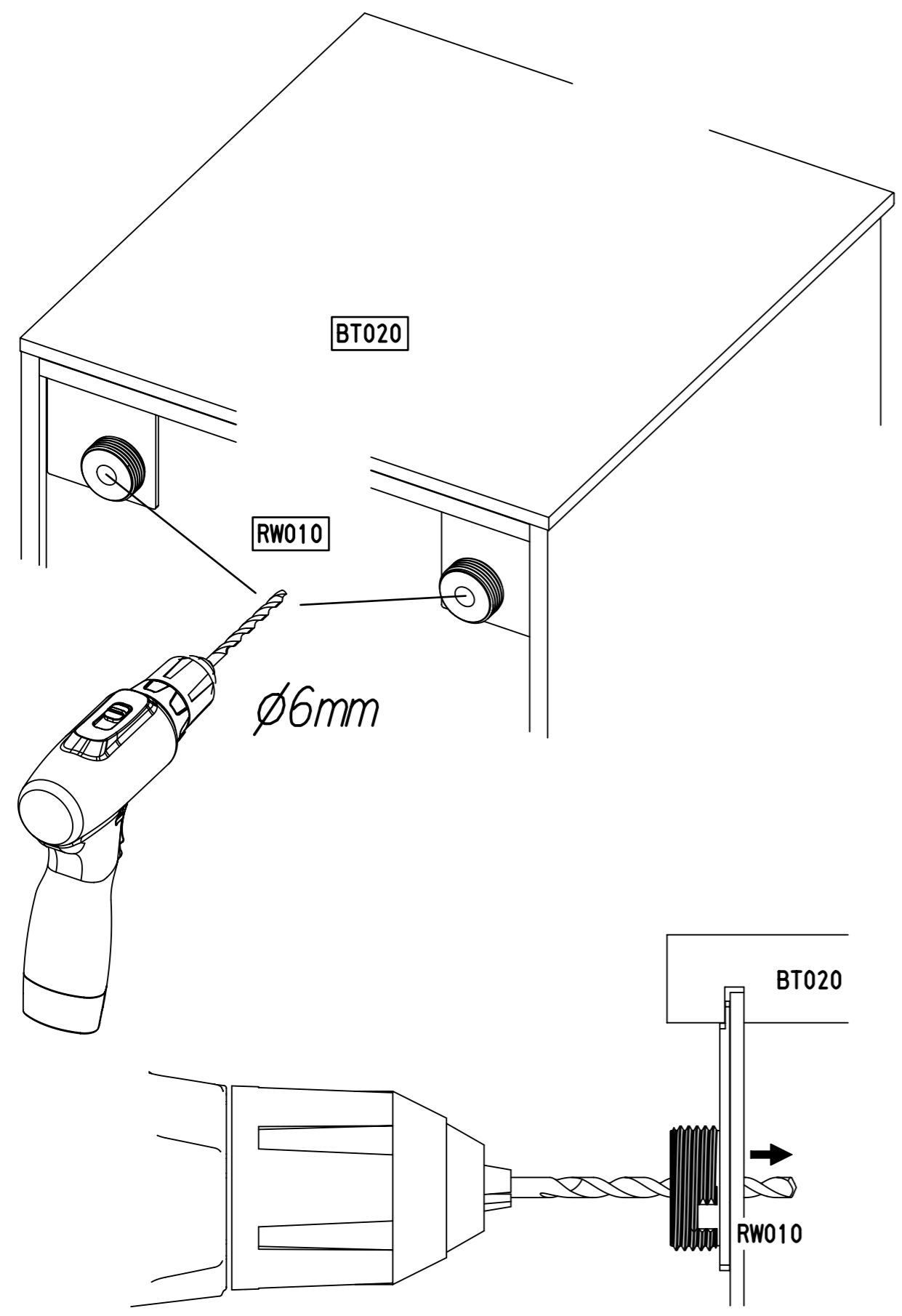
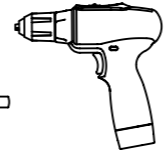
22

2x 1091

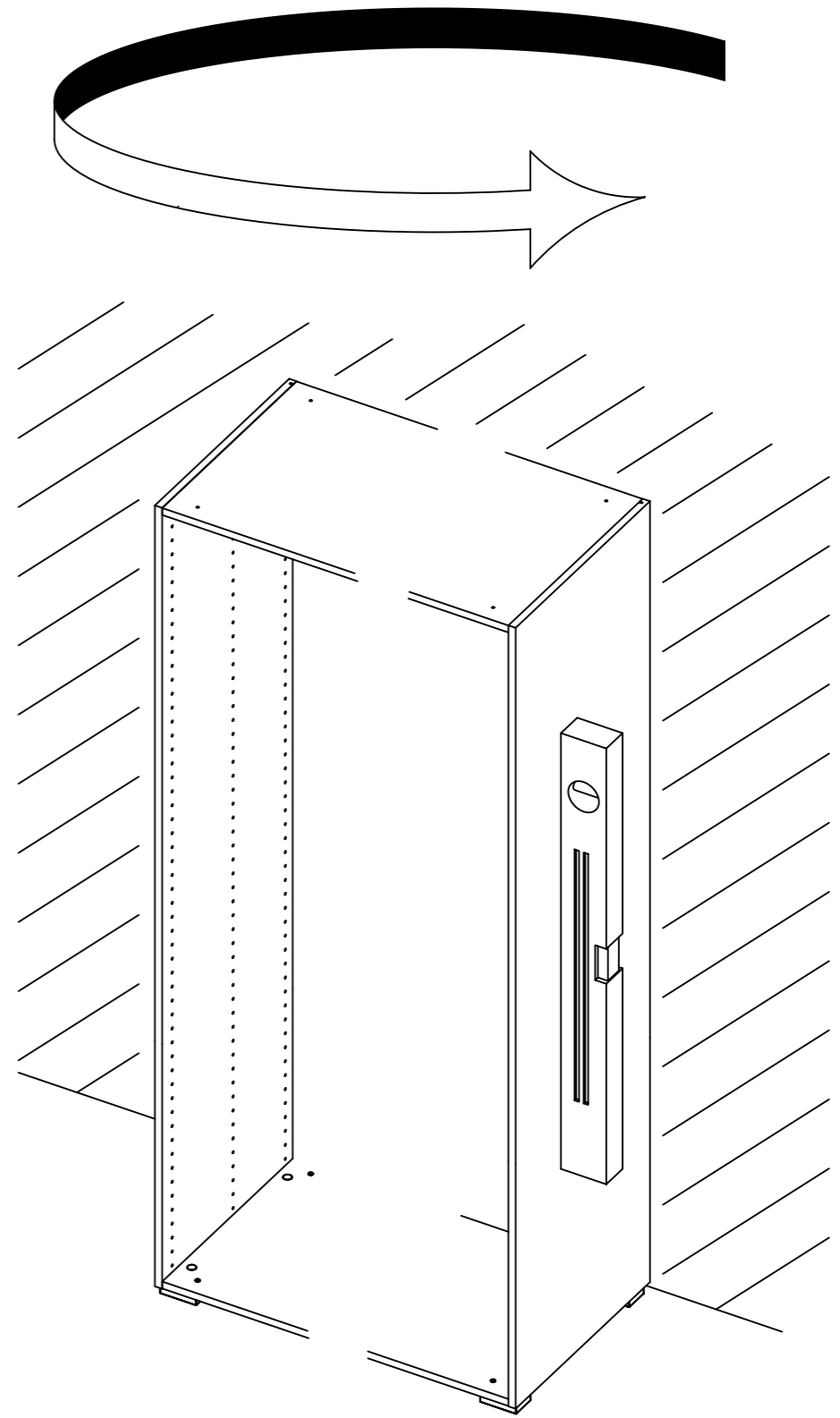
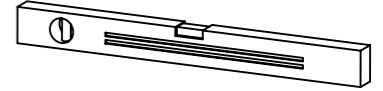


23

∅6mm

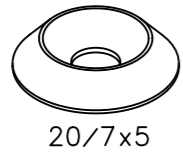


24



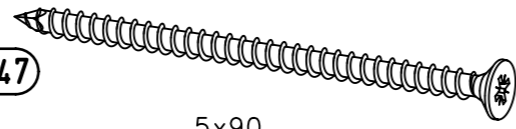
25

2x 1093

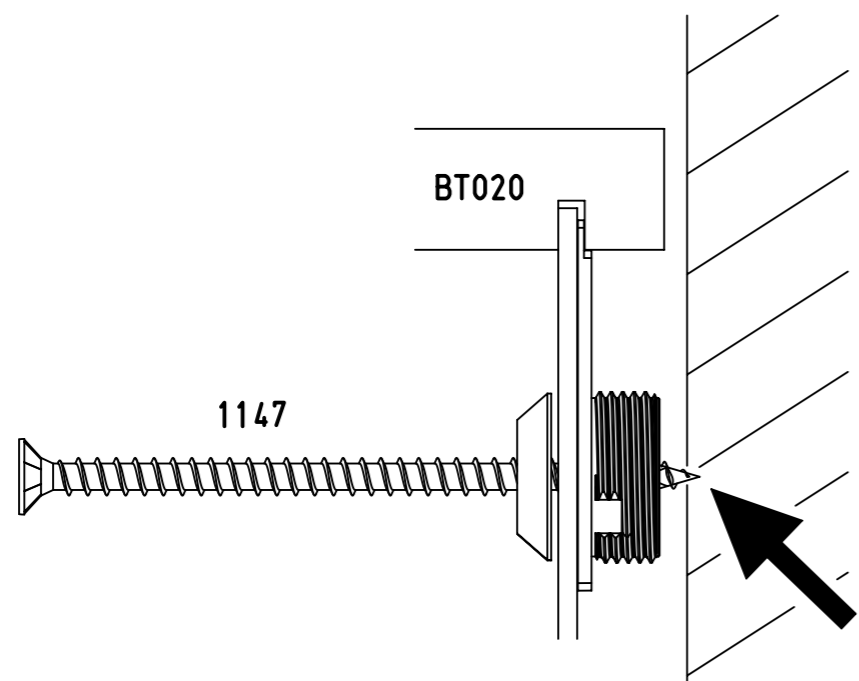
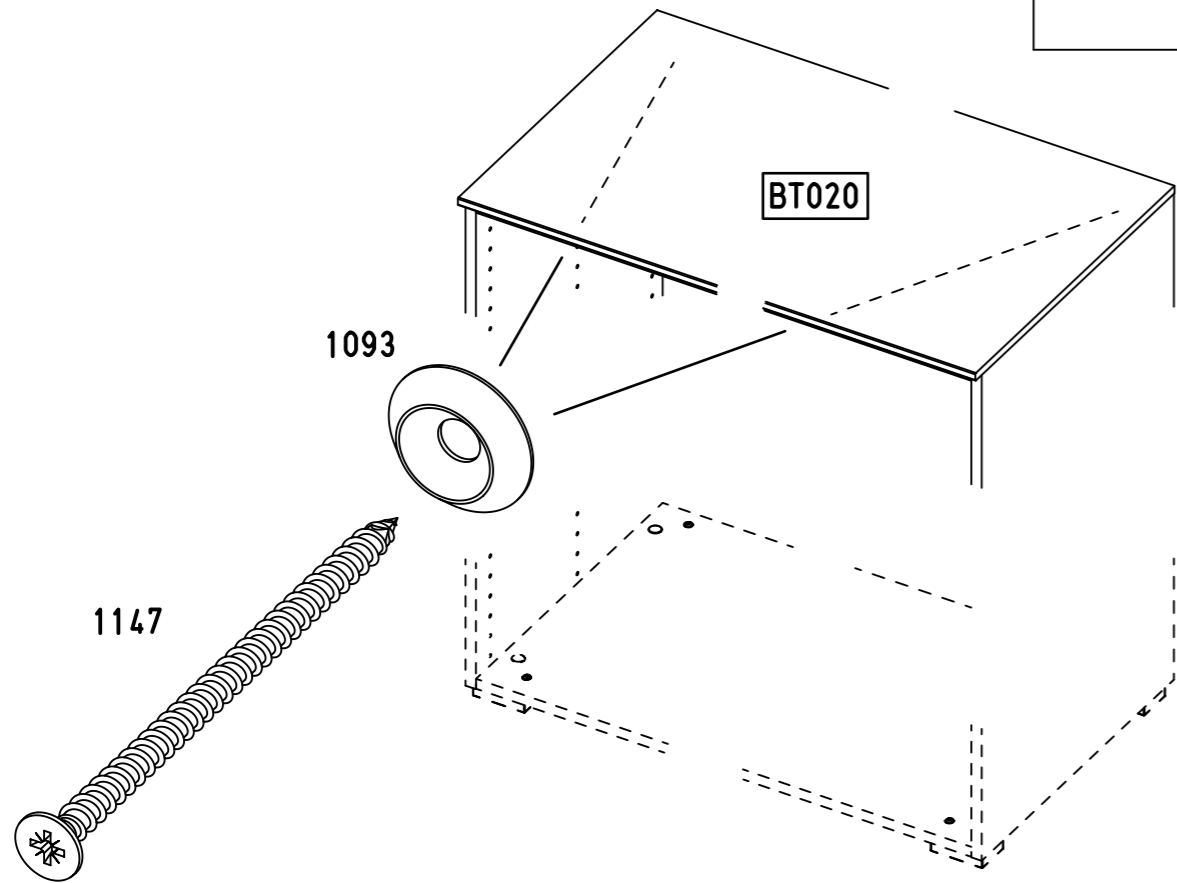
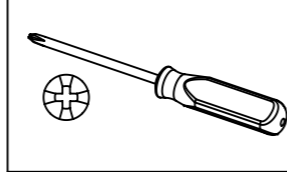


20/7x5

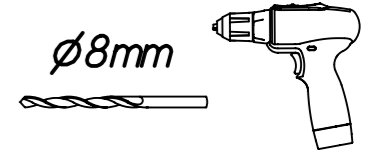
2x 1147



5x90

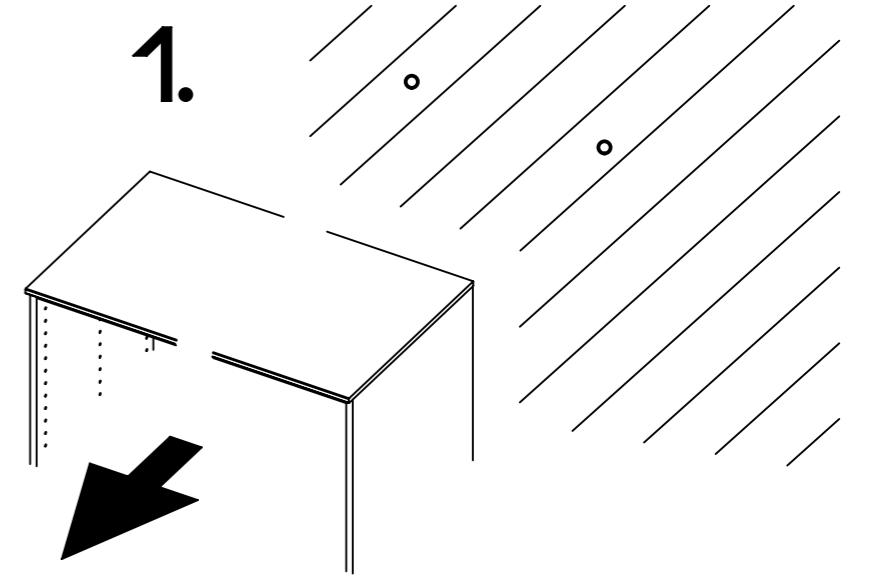


26

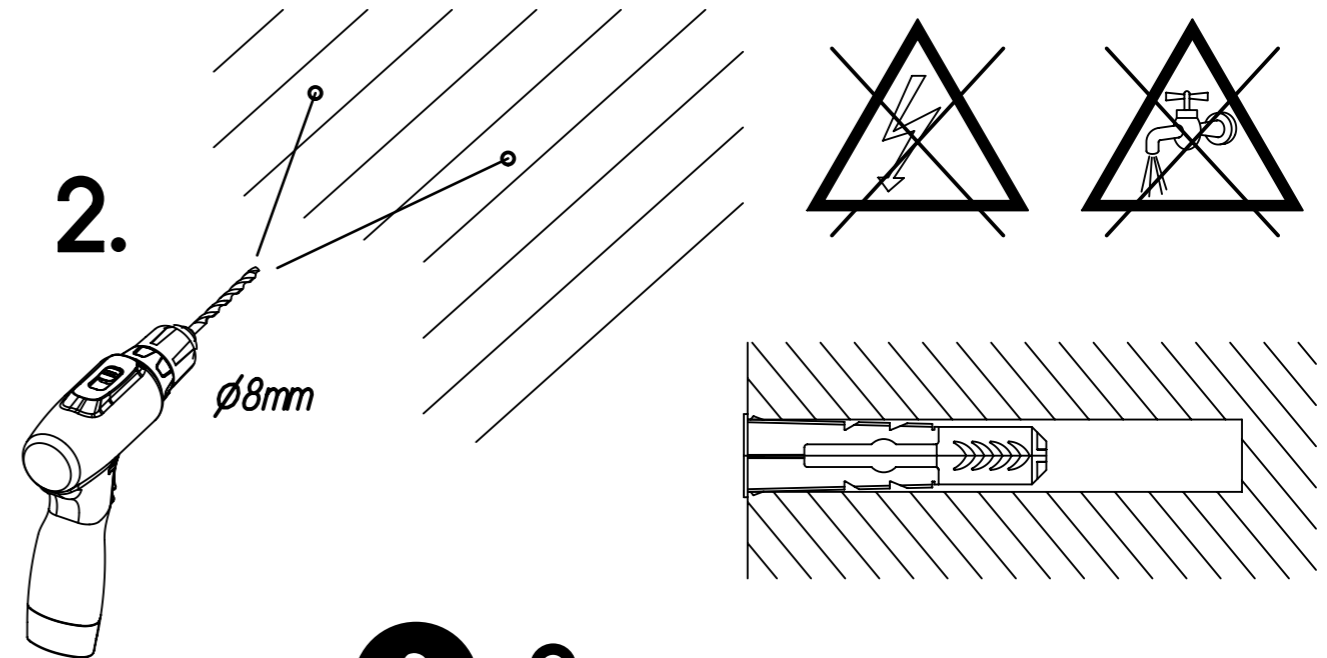


ø8mm

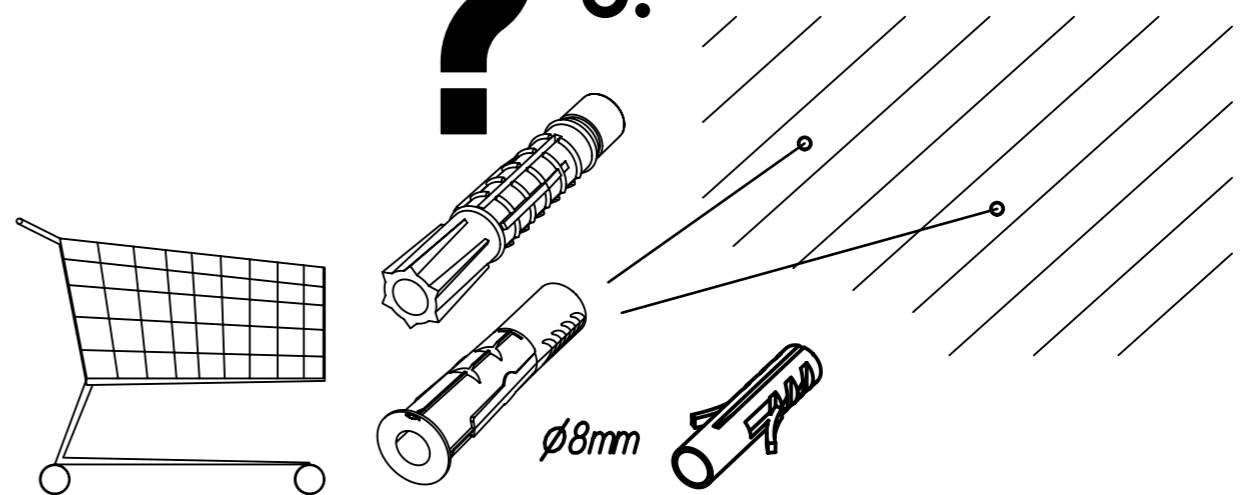
1.



2.

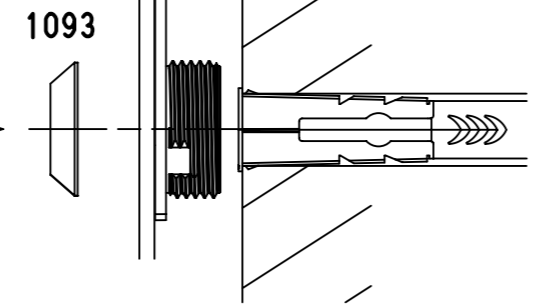
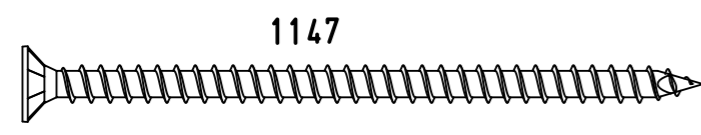
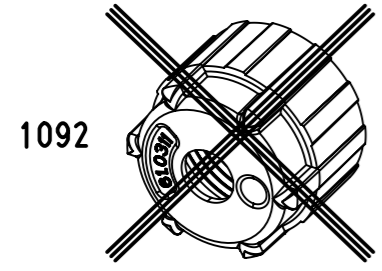
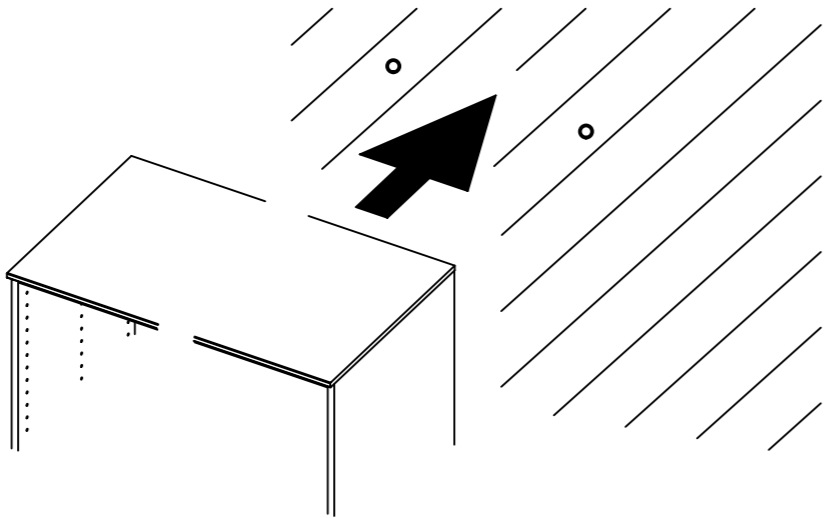
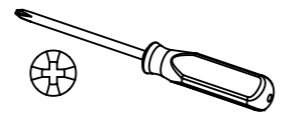
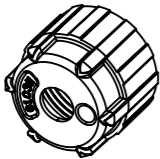


? 3.

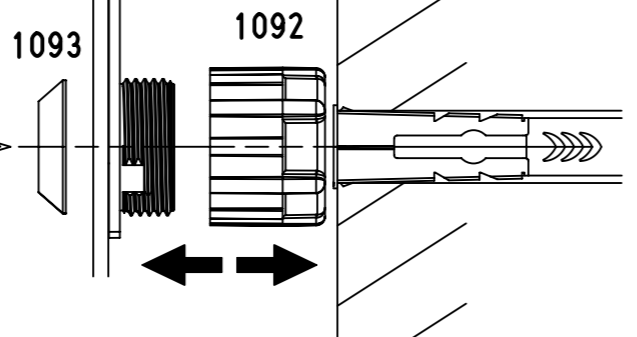
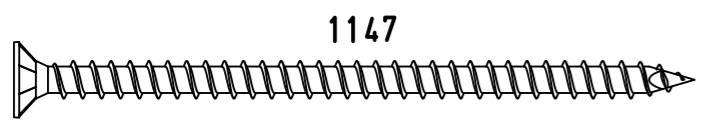


27

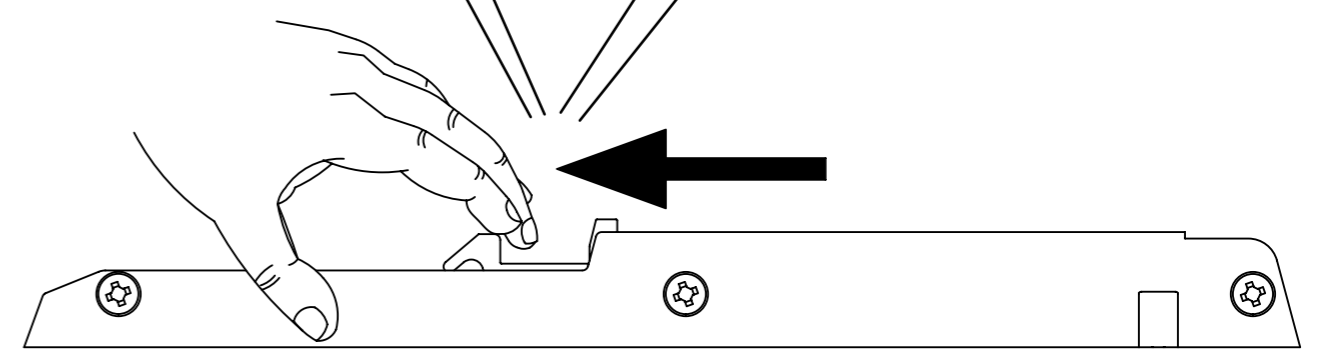
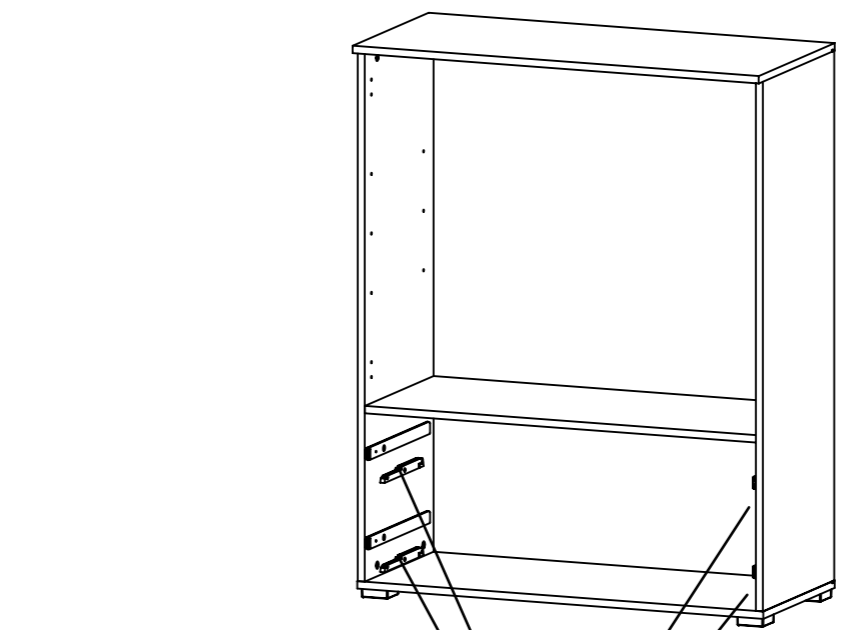
2x 1092



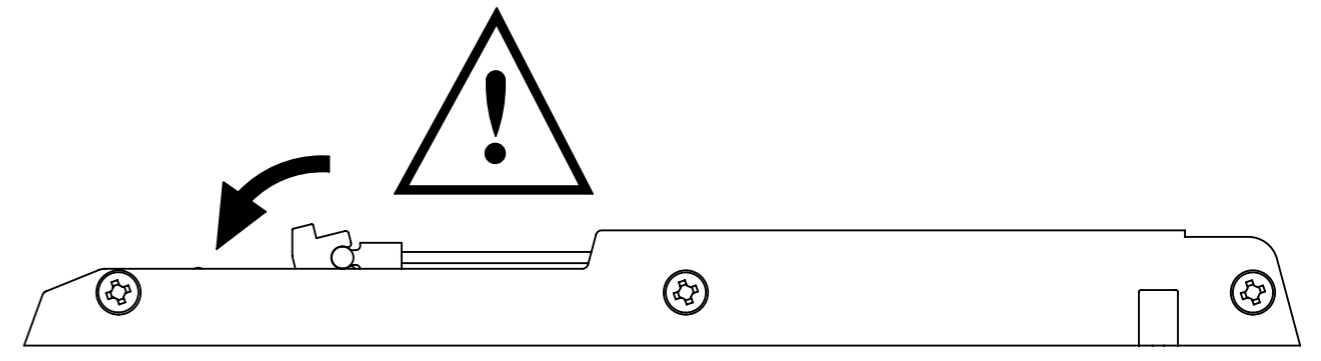
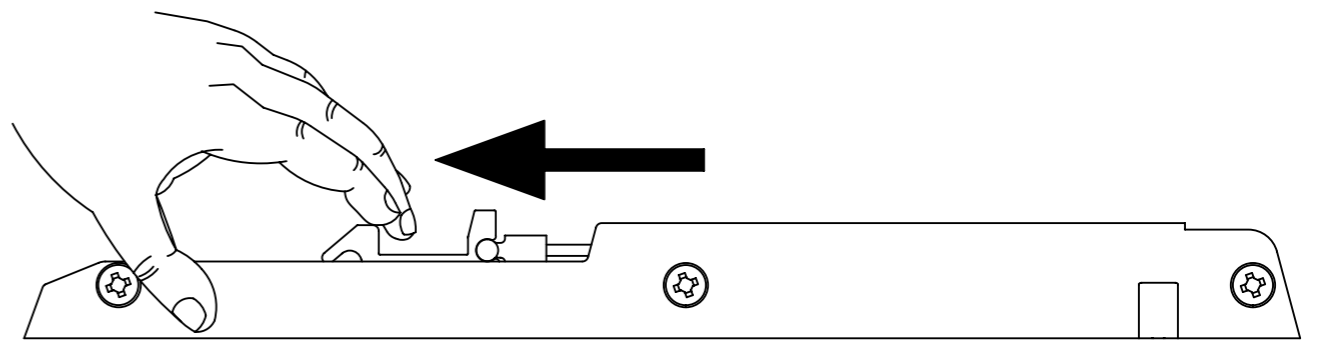
10-15mm



28



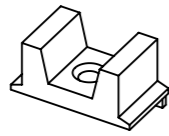
1000



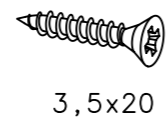
31.

29

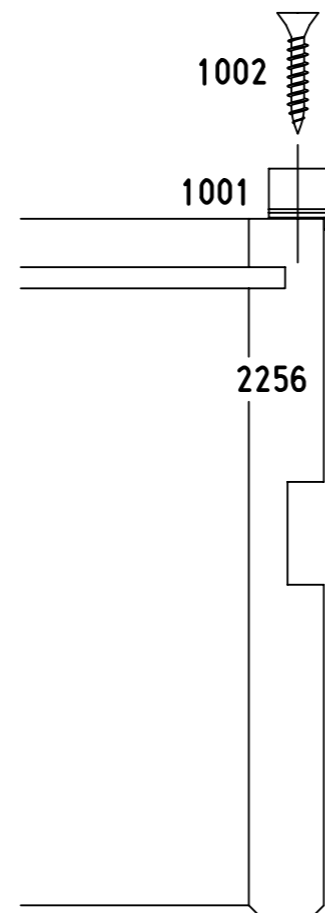
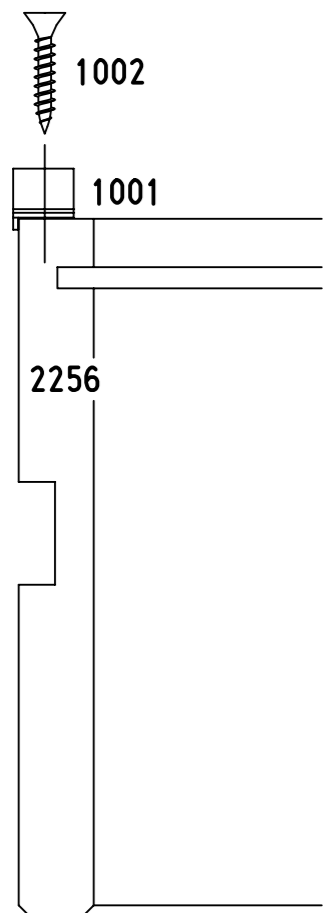
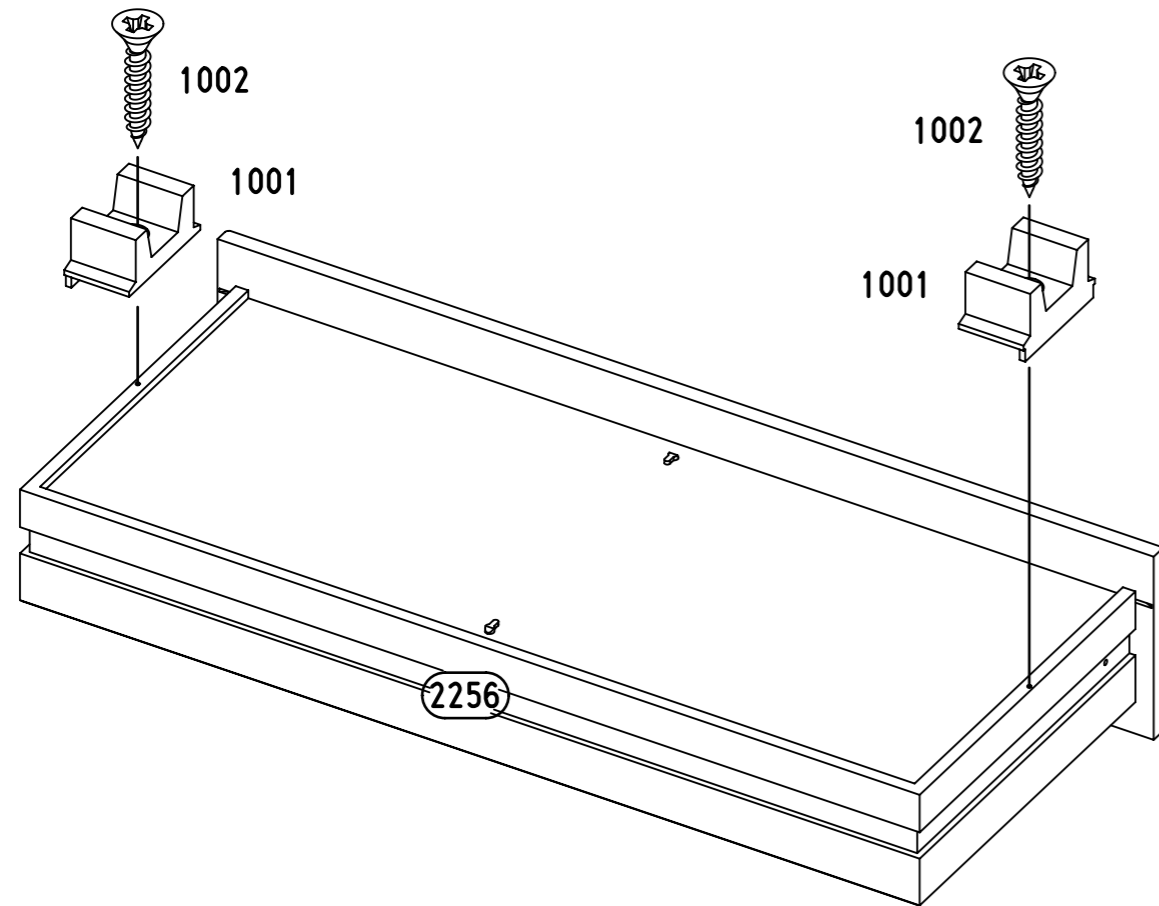
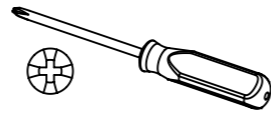
4x 1001



4x 1002



3,5x20



M2166

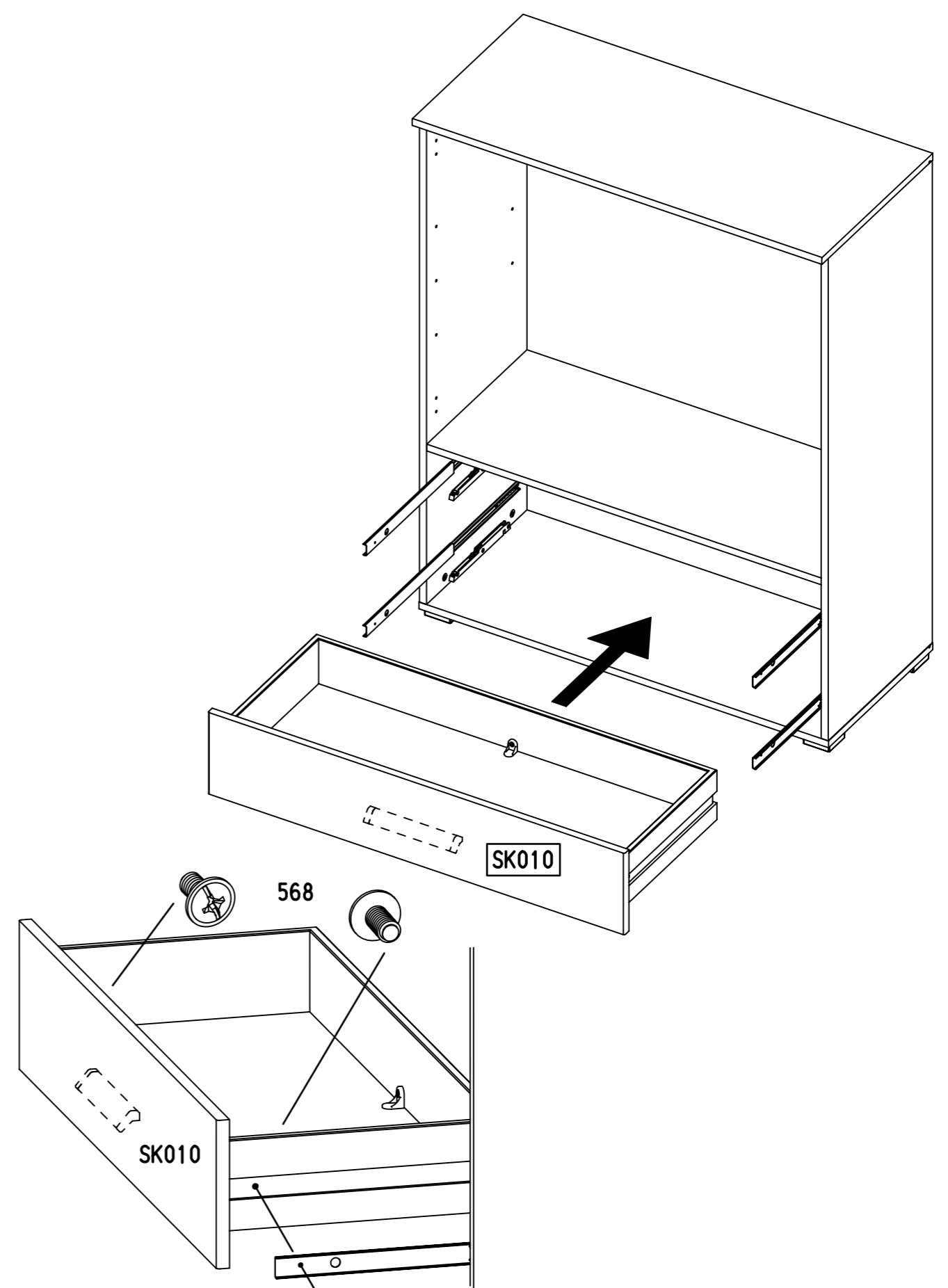
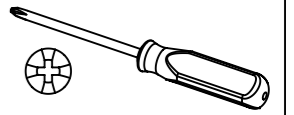
32.

30

4x 568



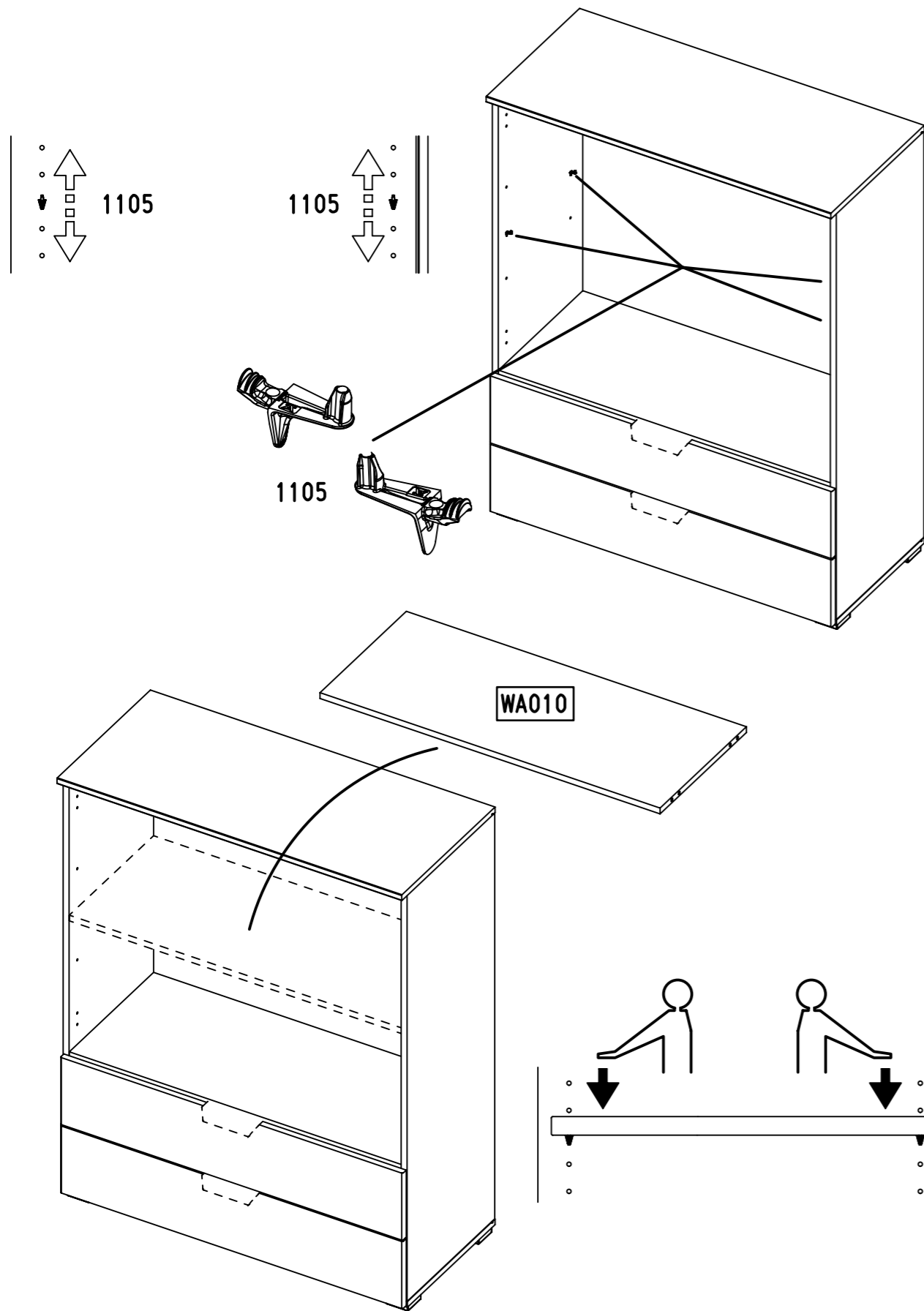
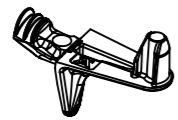
M4x9



M2166

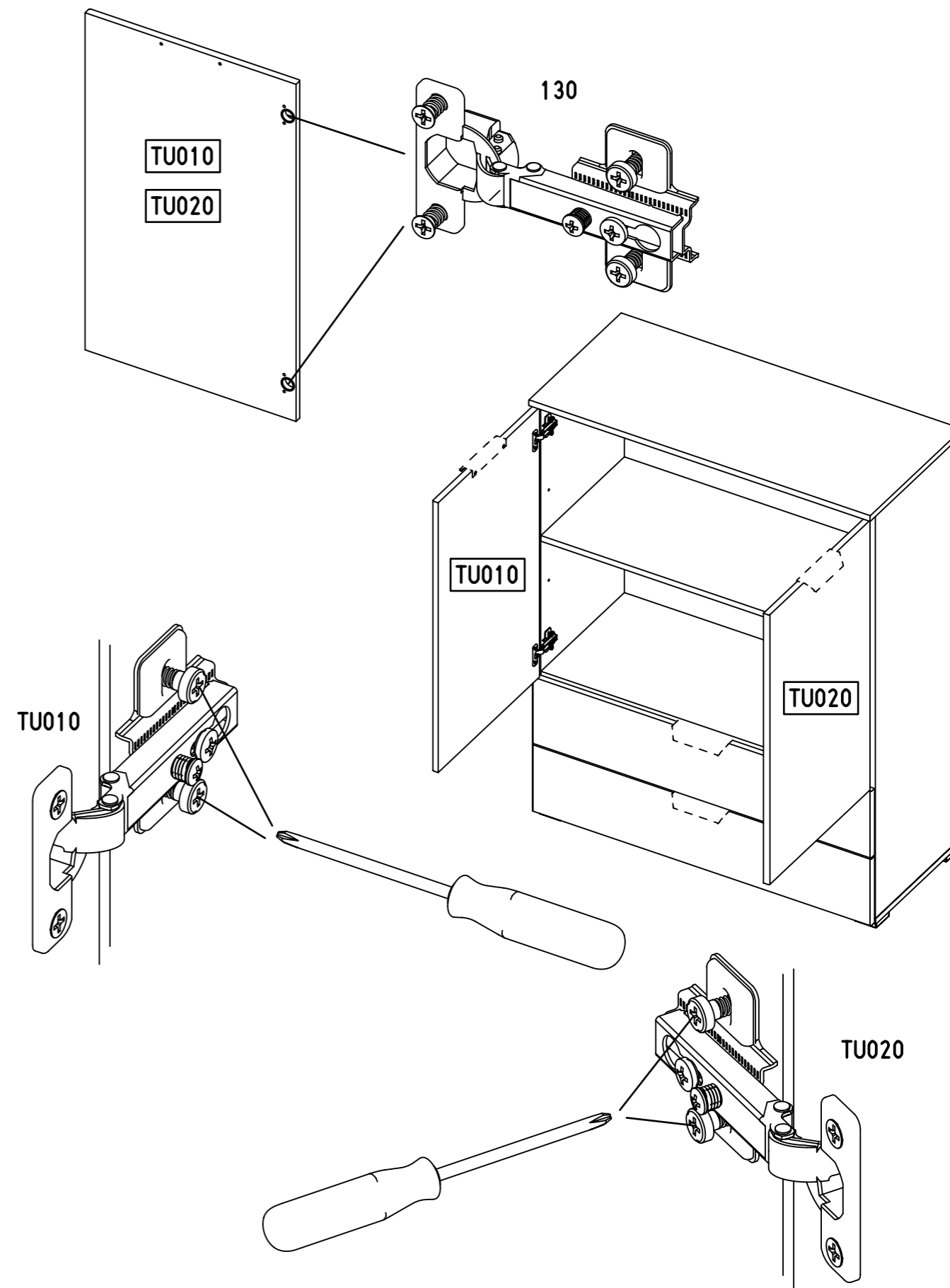
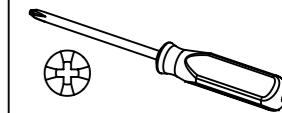
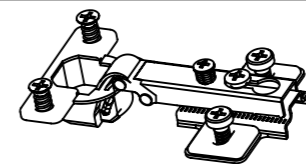
31

4x 1105



32

4x 130



33

