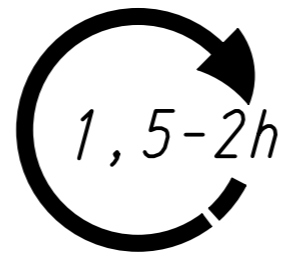
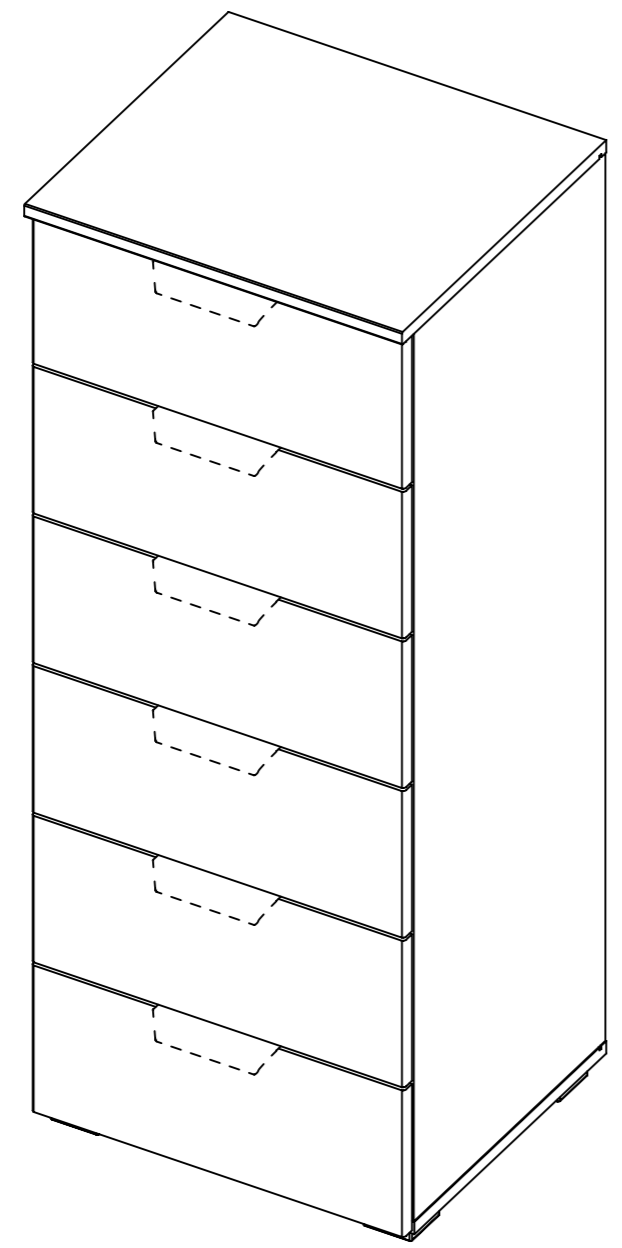
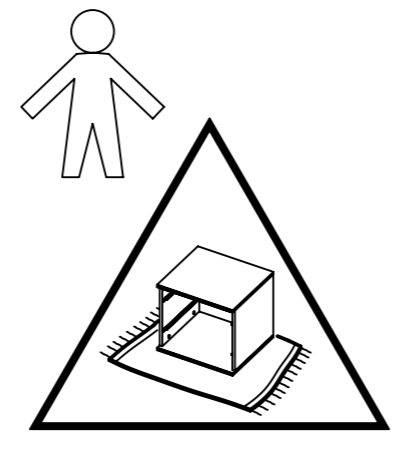
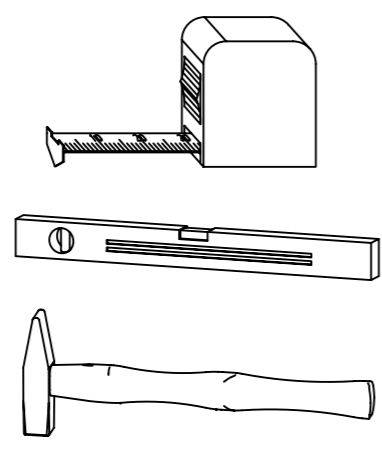
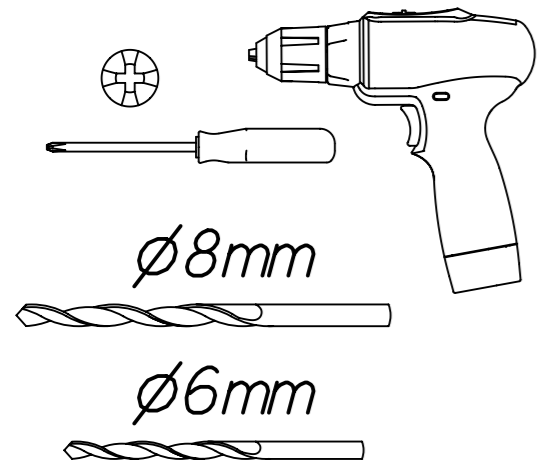


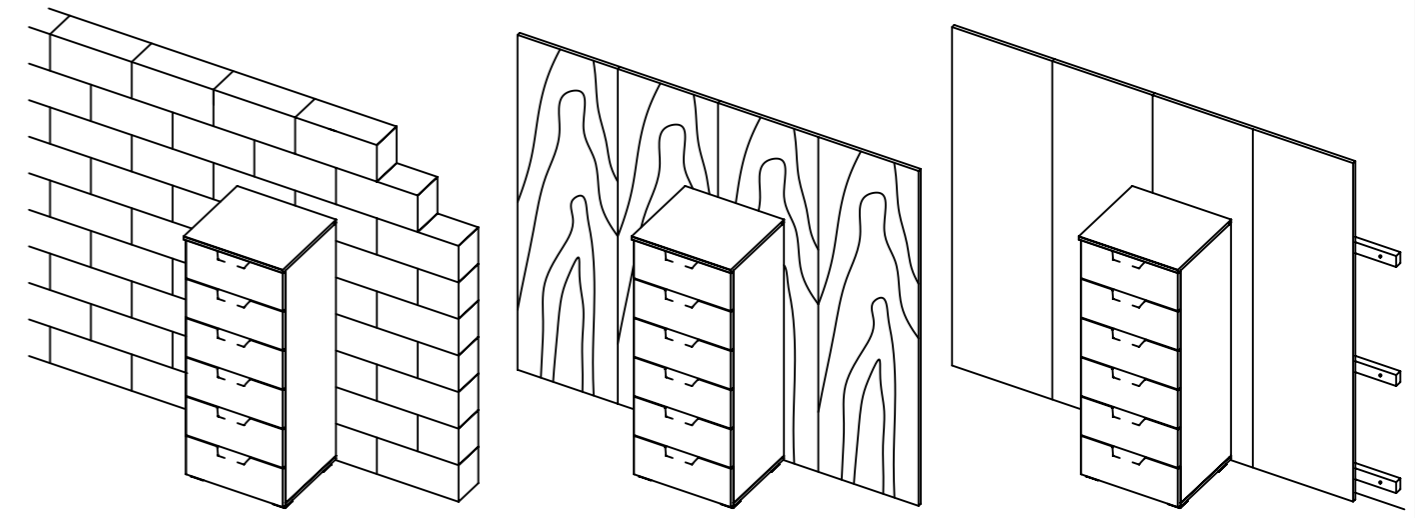
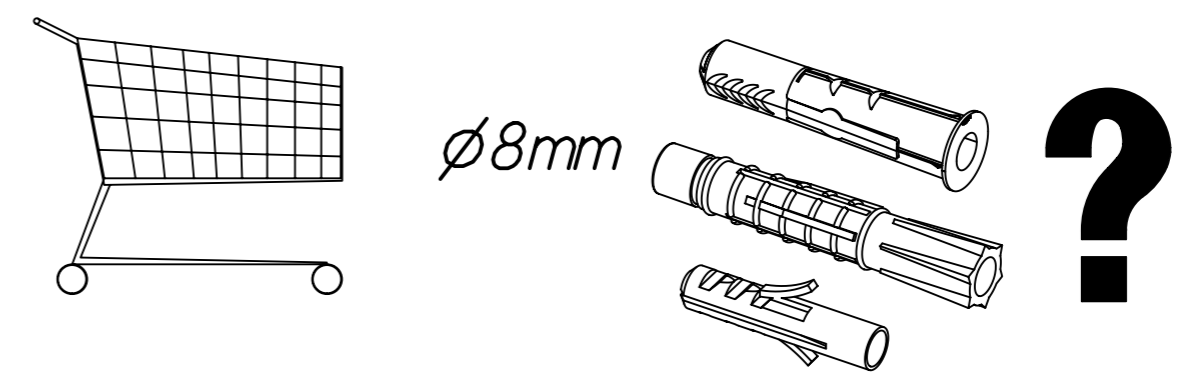
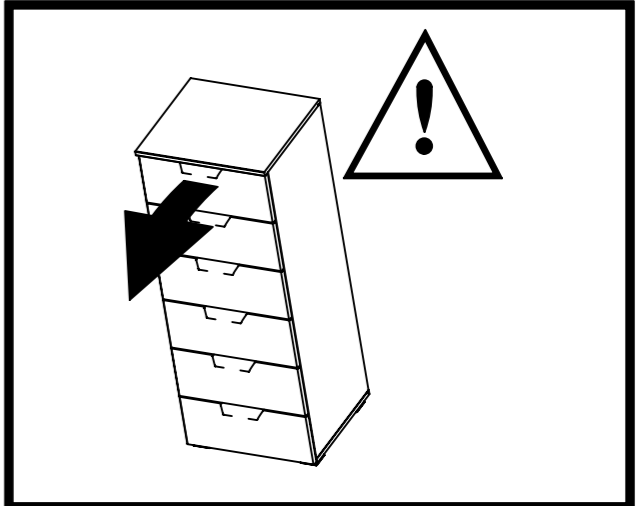
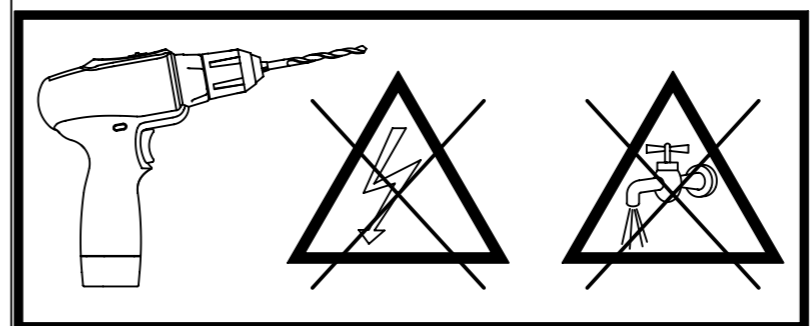
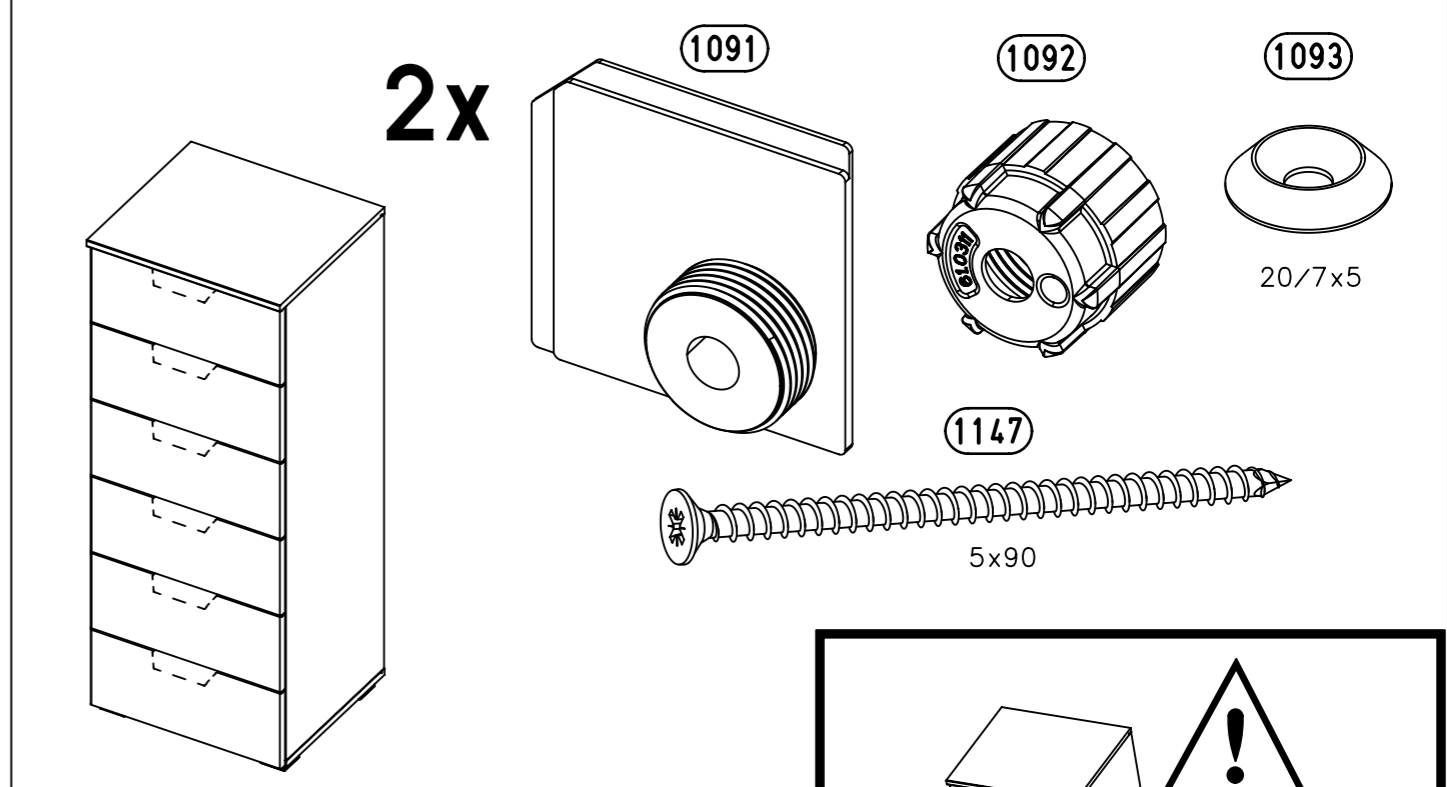
1.

M2165\_04

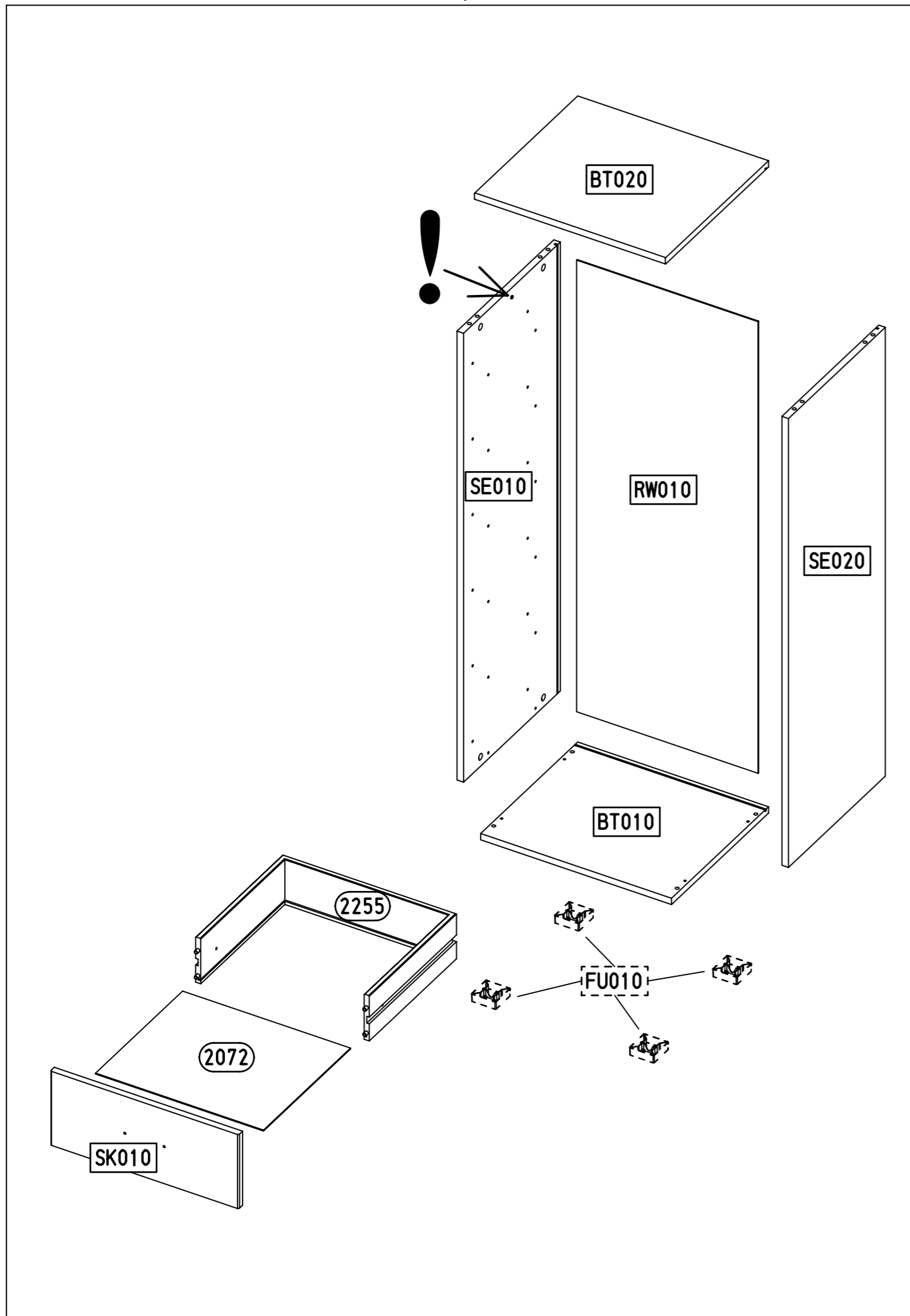
rauch



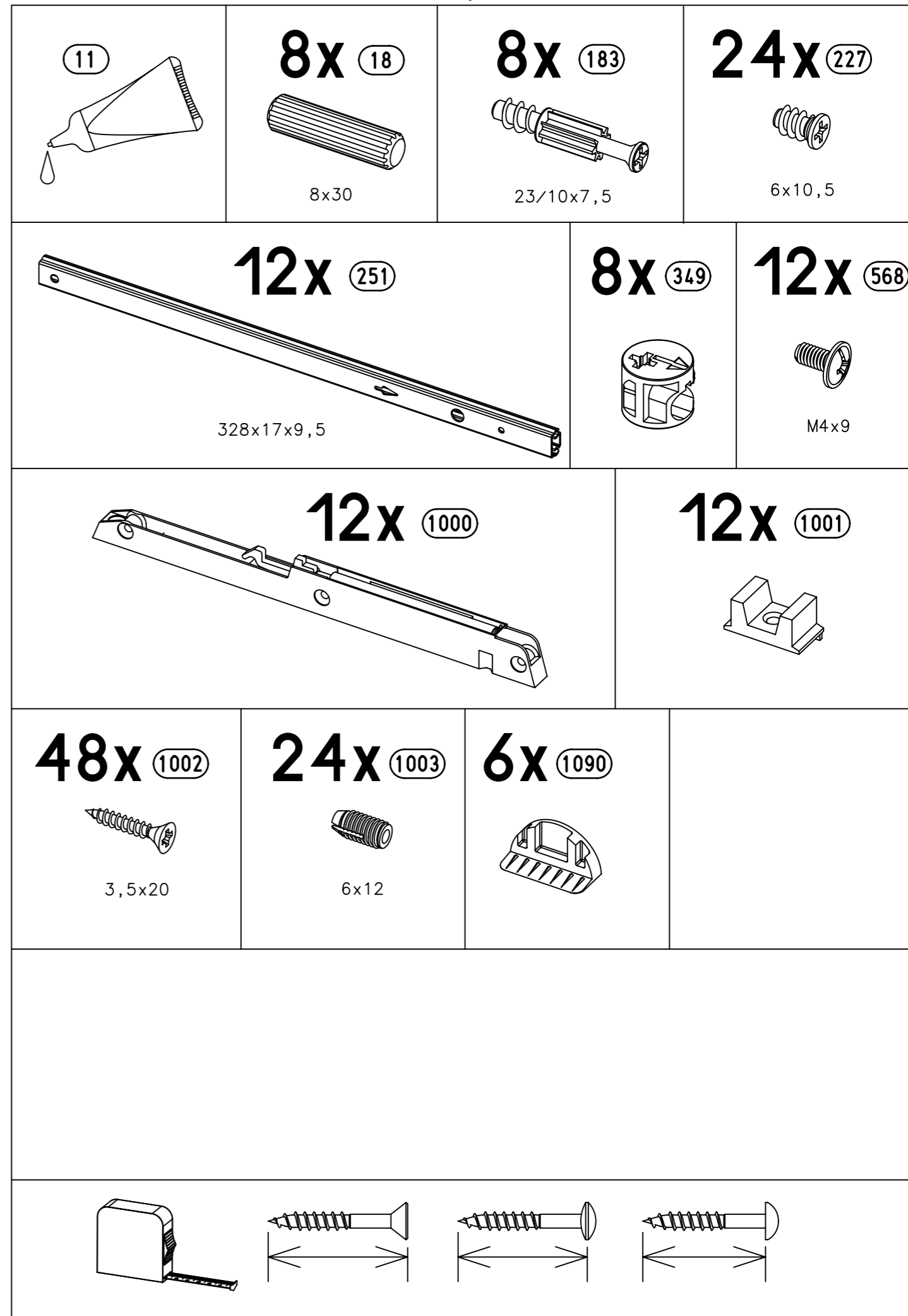
2.



3.

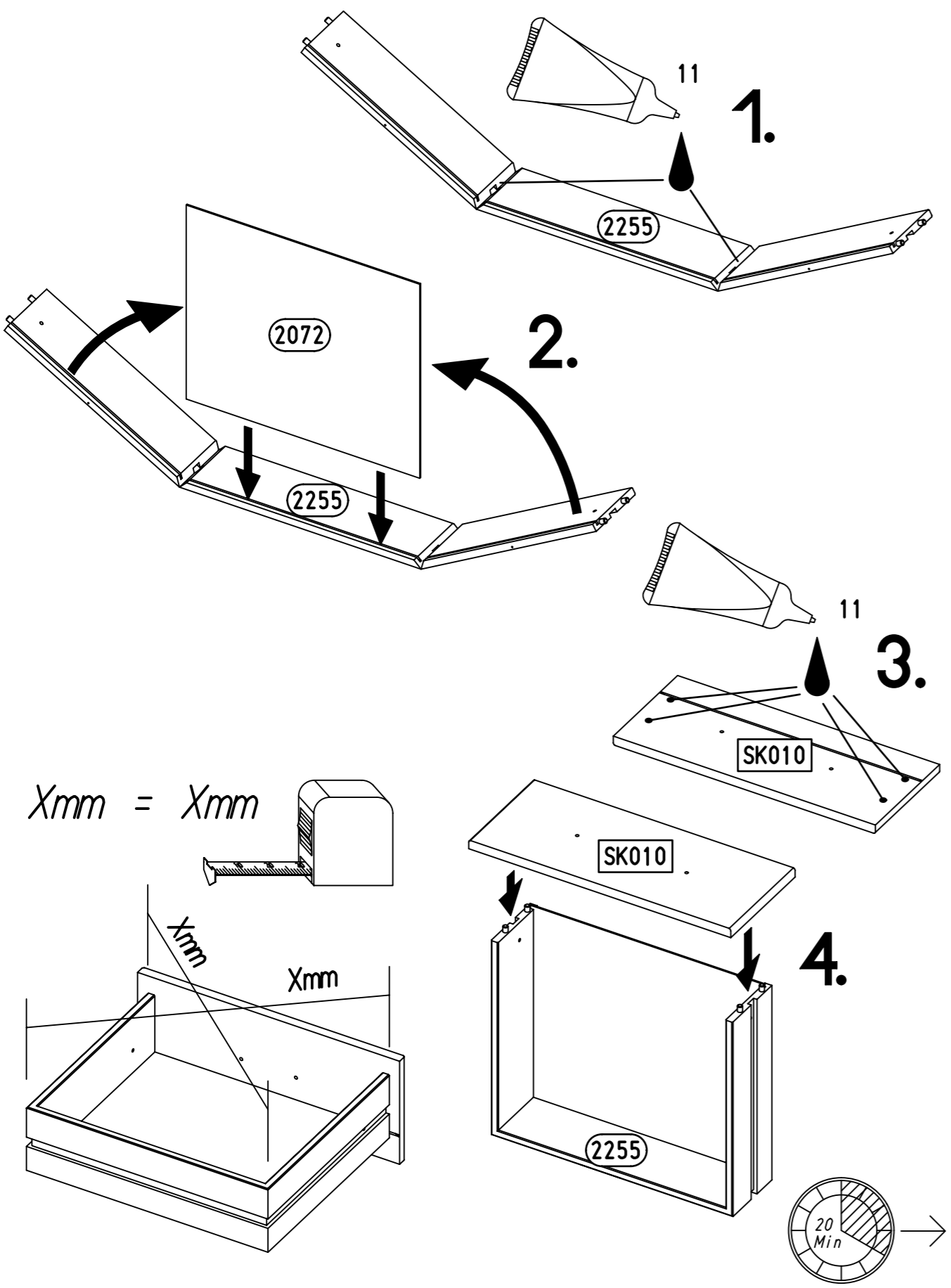
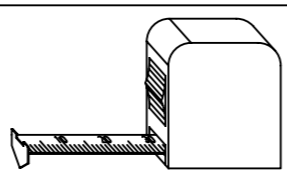
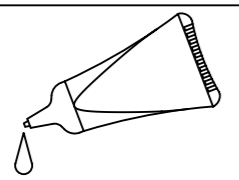


4.

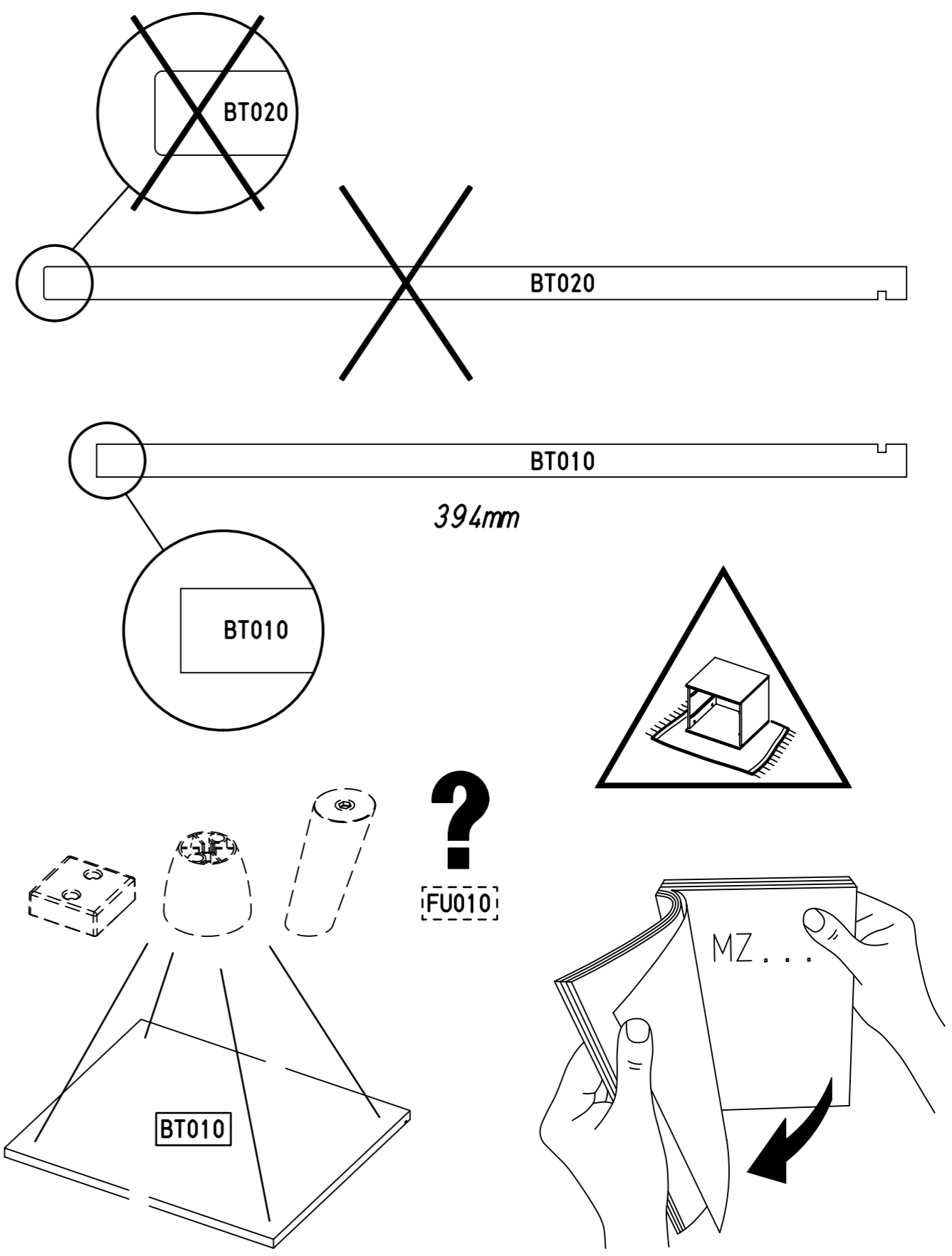


1

11

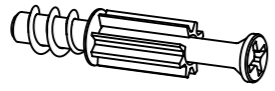


2

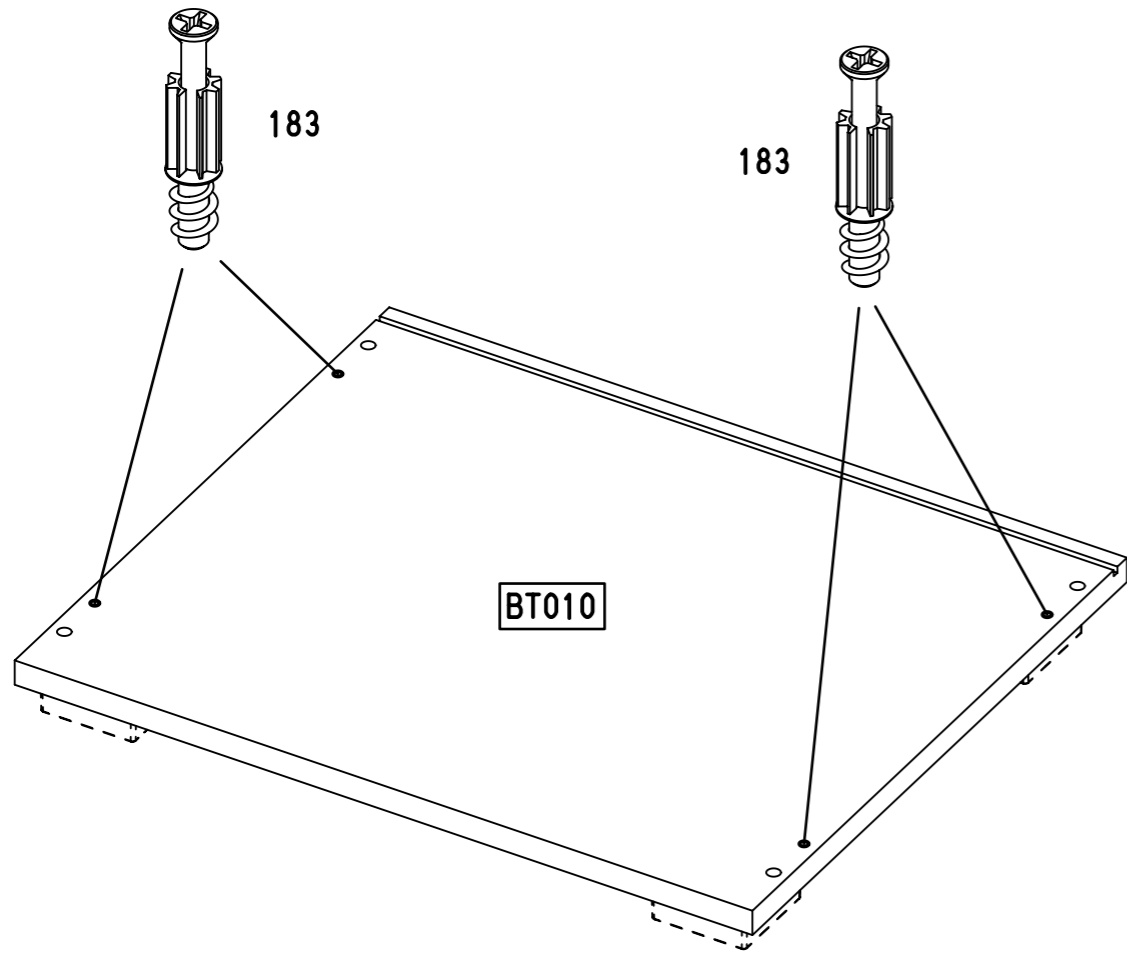
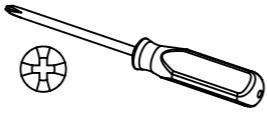


3

4x 183



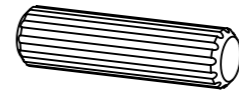
23/10x7,5



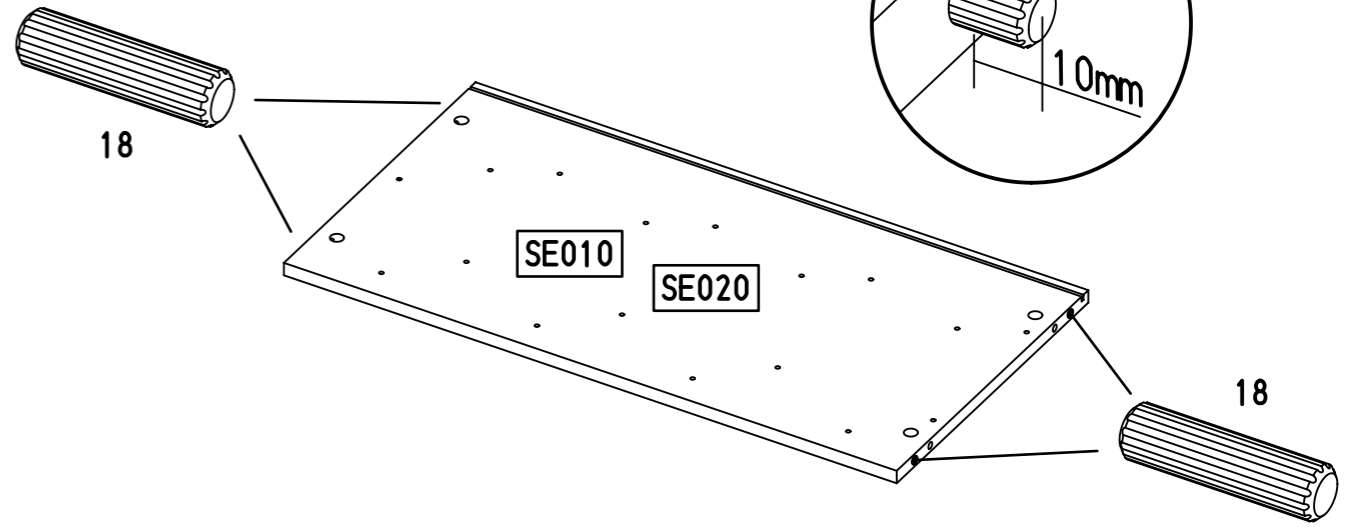
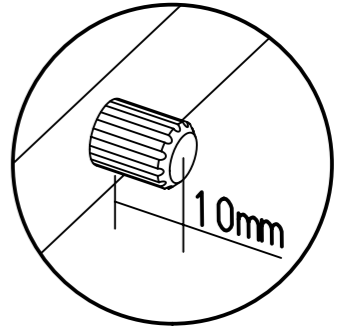
BT010

4

8x 18



8x30

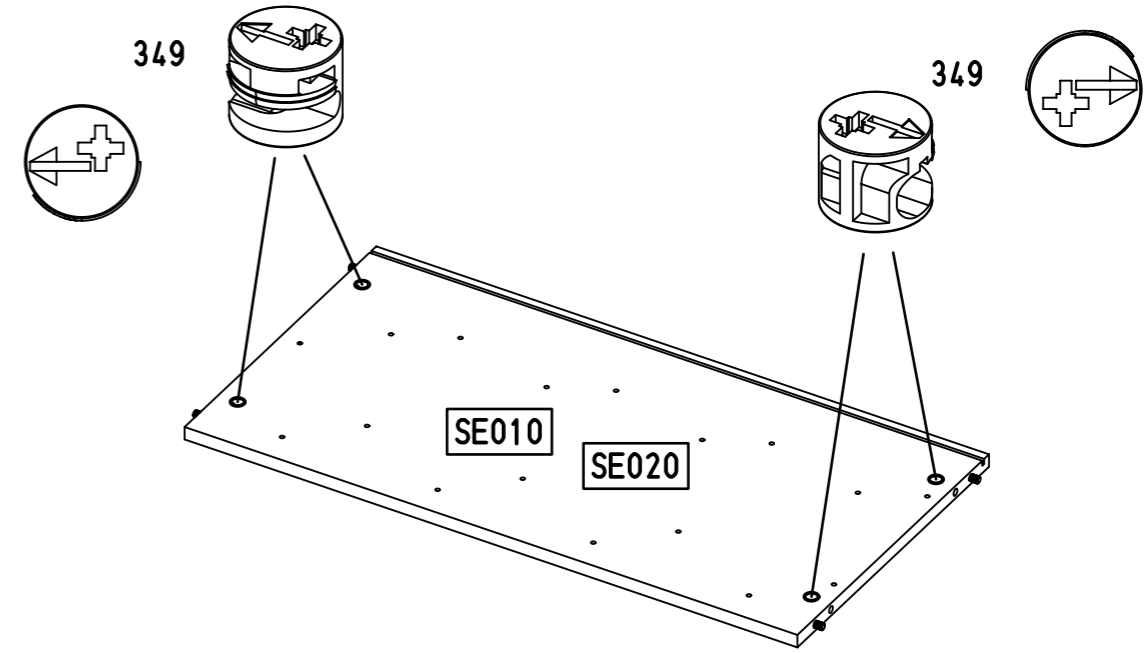
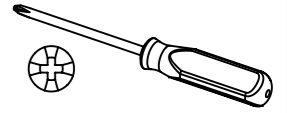


SE010

SE020

5

8x 349



SE010

SE020

9.

6

6x 251

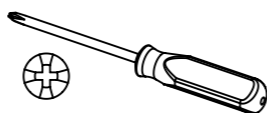


328x17x9,5

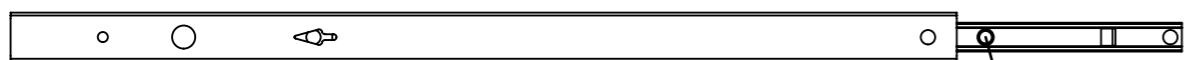
12x 227



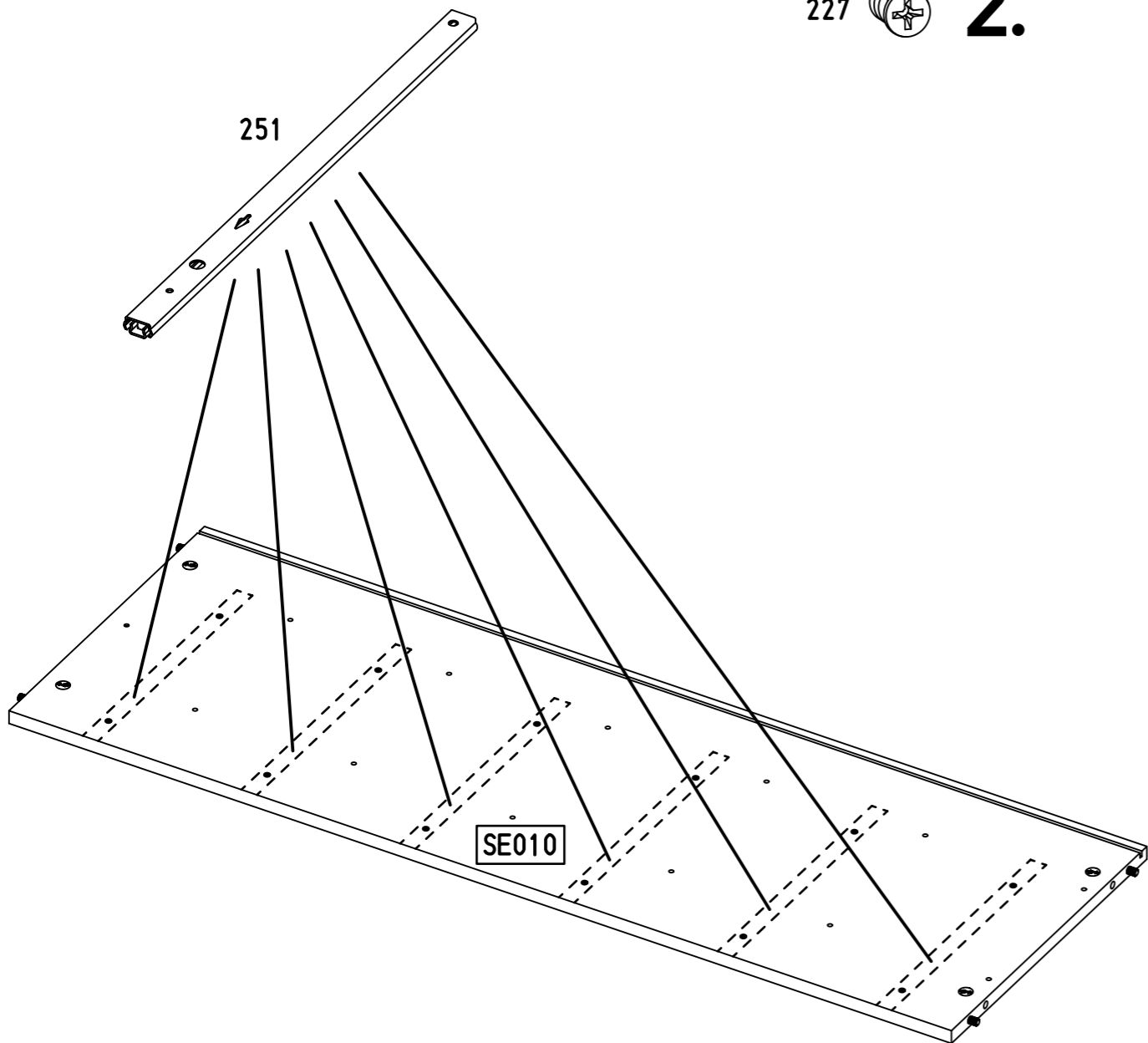
6x10,5



1.



2.



SE010

10.

7

6x 251

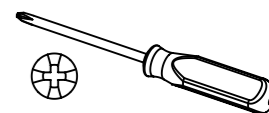


328x17x9,5

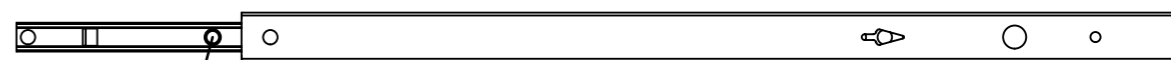
12x 227



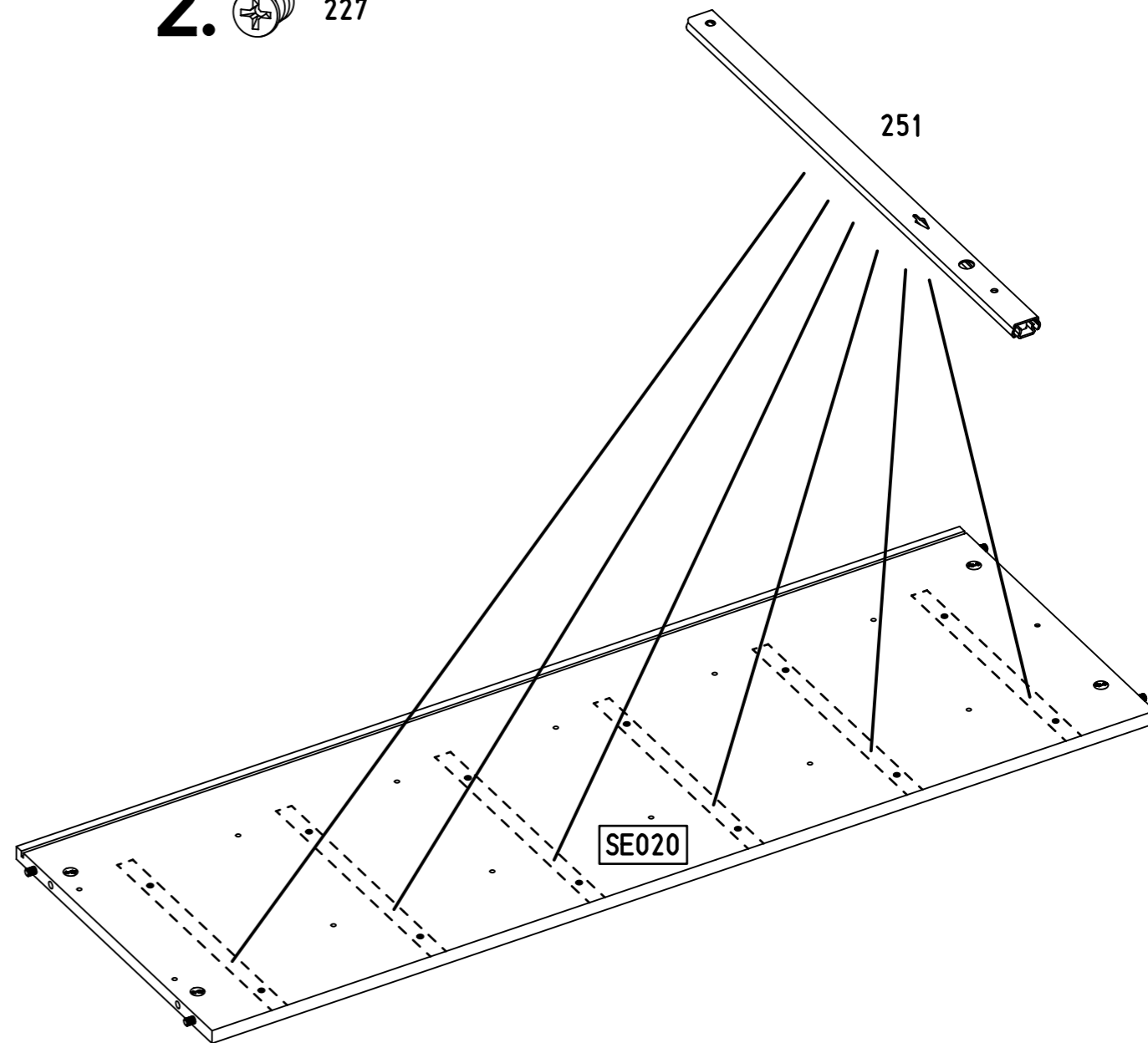
6x10,5



1.



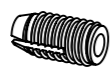
2.



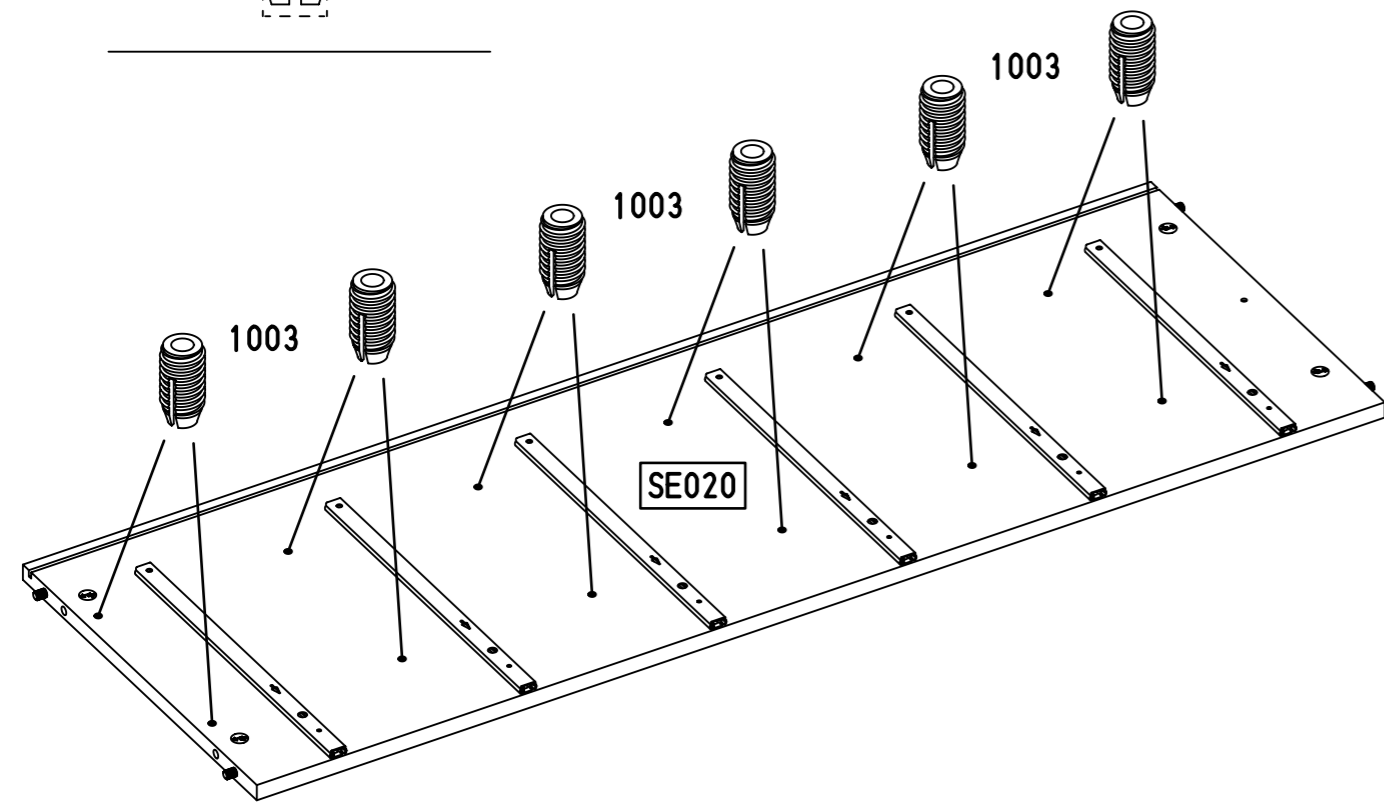
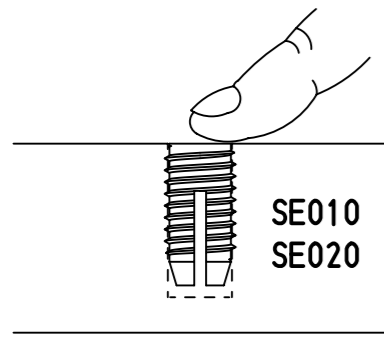
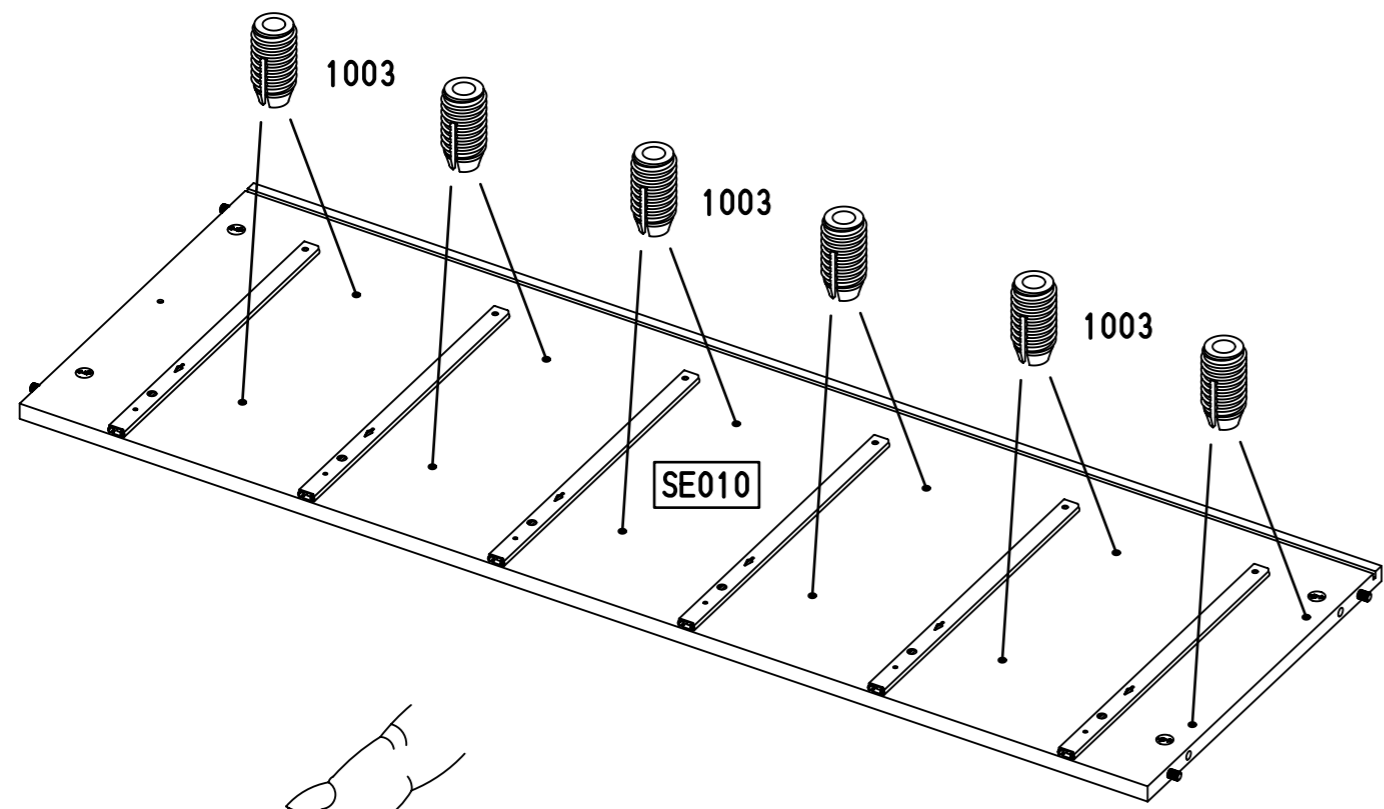
SE020

8

24x 1003

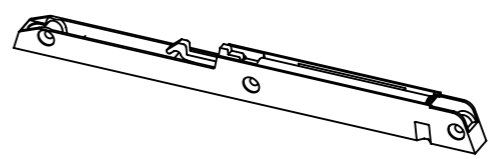


6x12

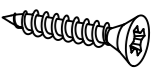


9

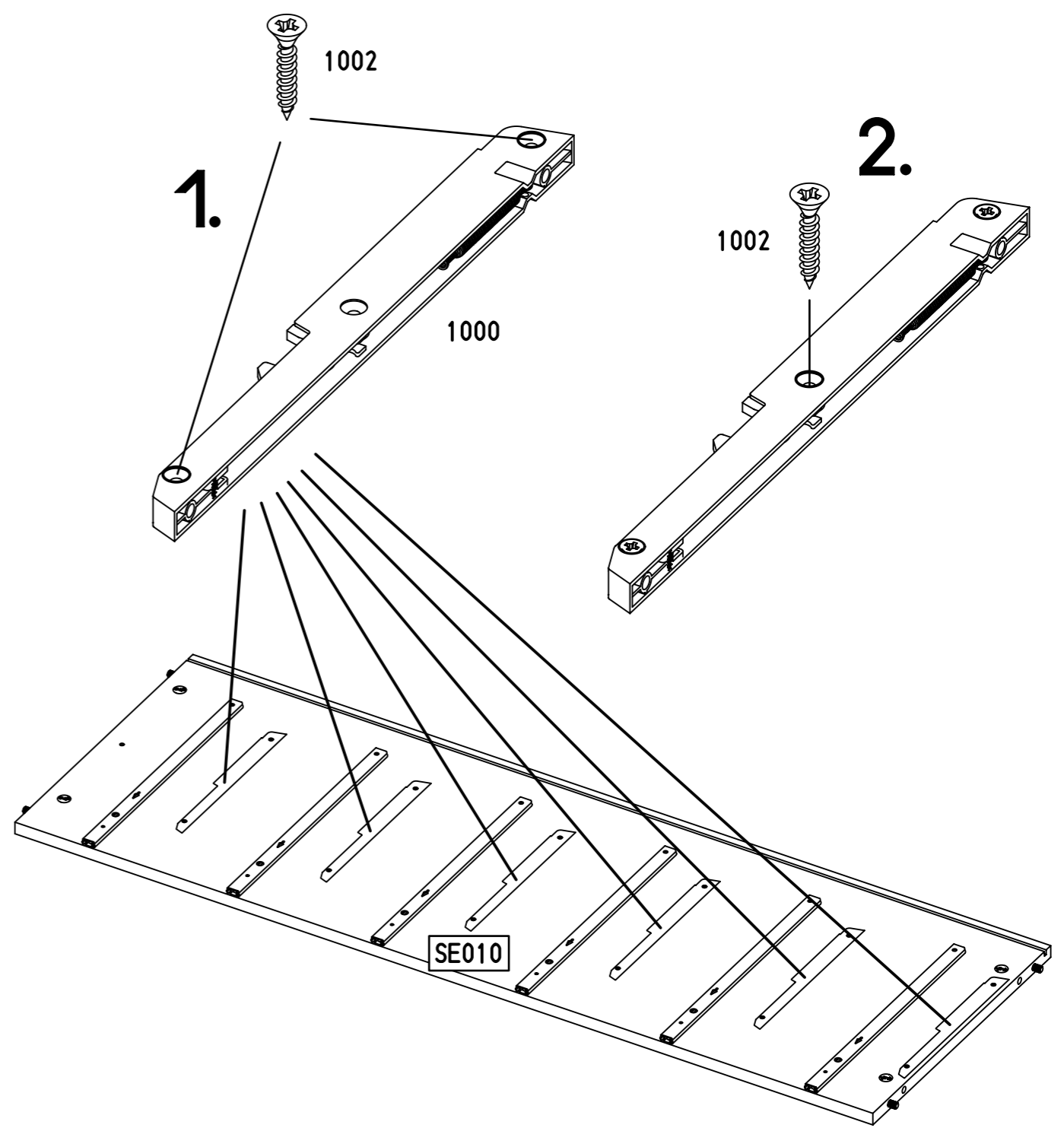
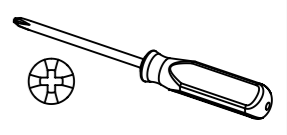
6x 1000



18x 1002

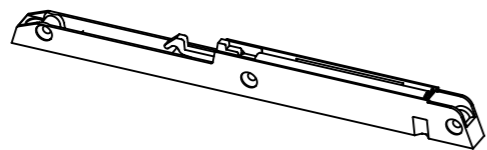


3,5x20

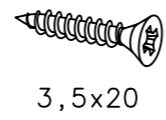


10

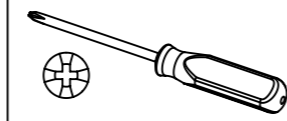
6x 1000



18x 1002



3,5x20



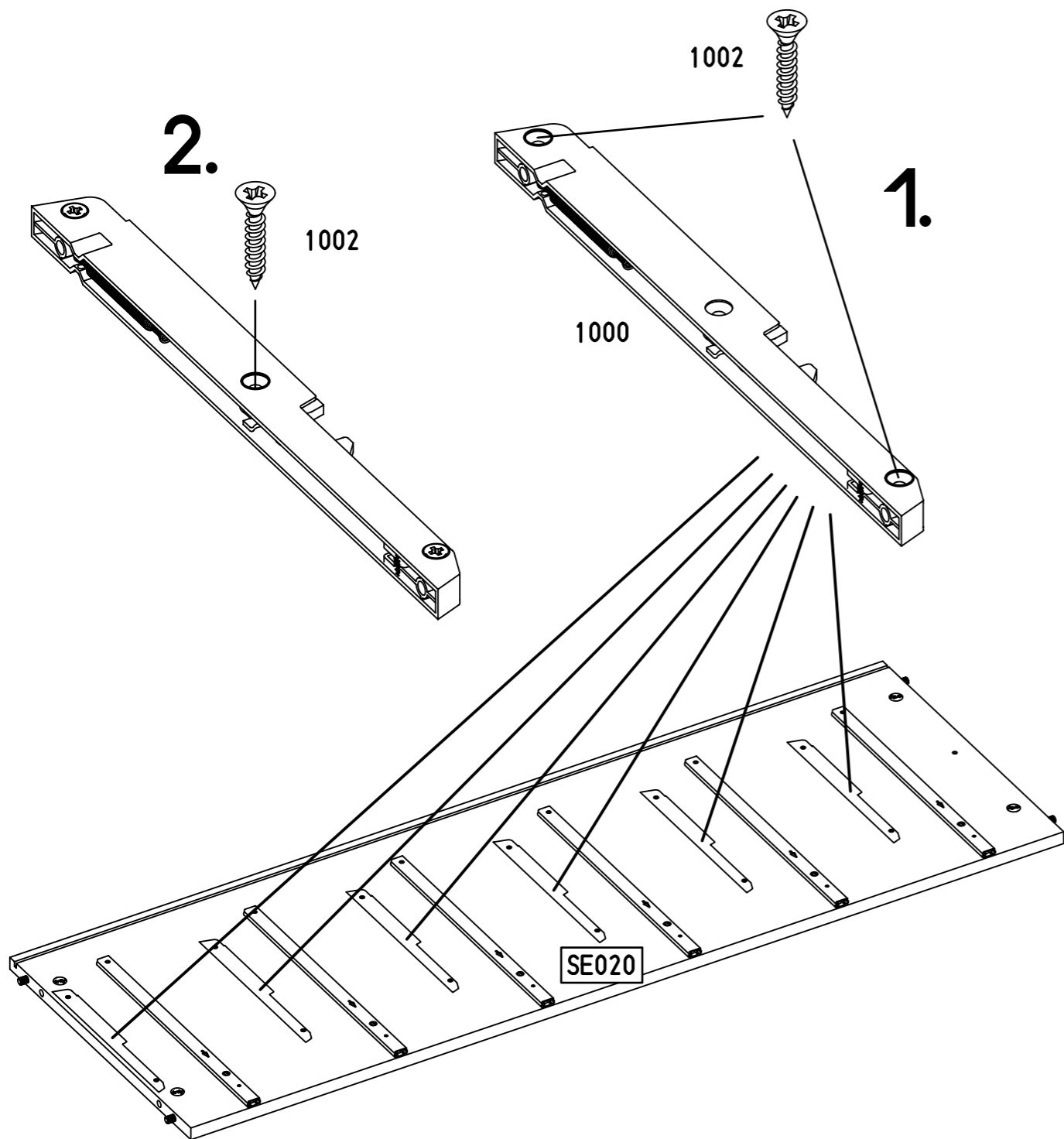
1002

1.

1000

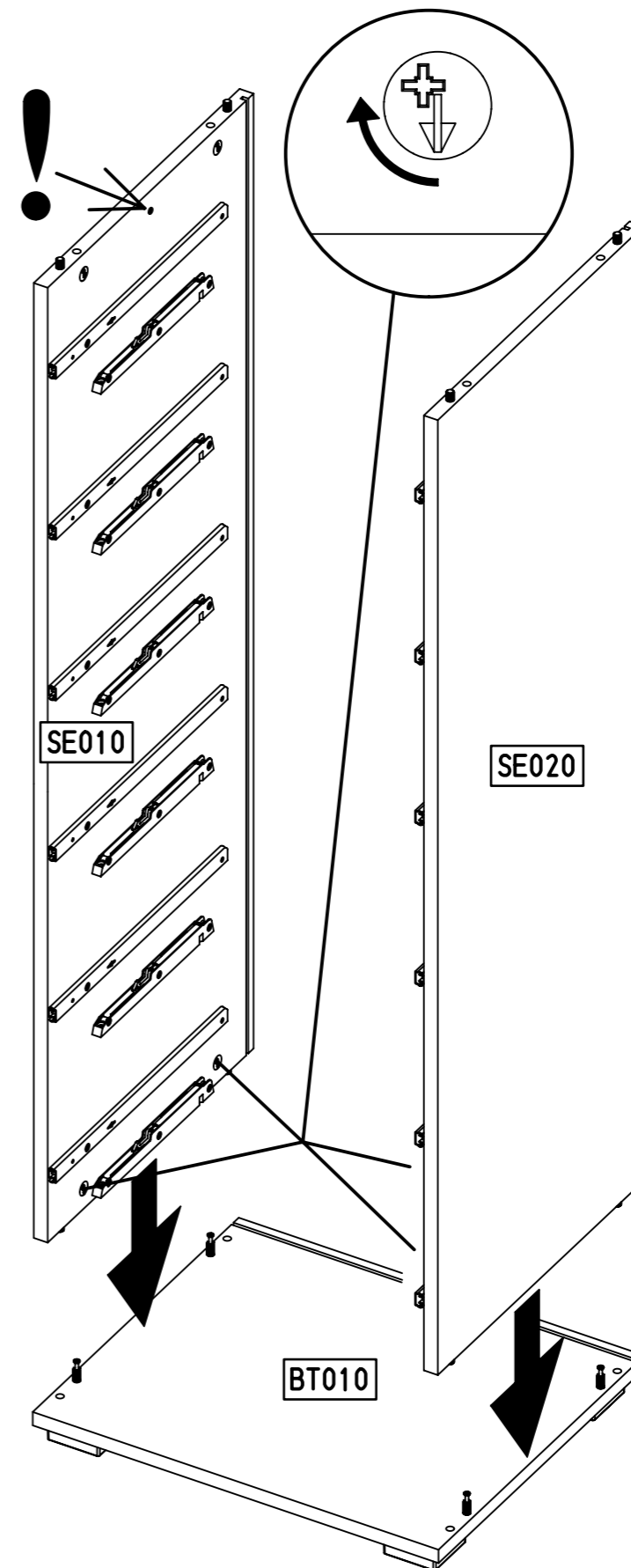
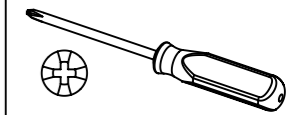
2.

1002



SE020

11

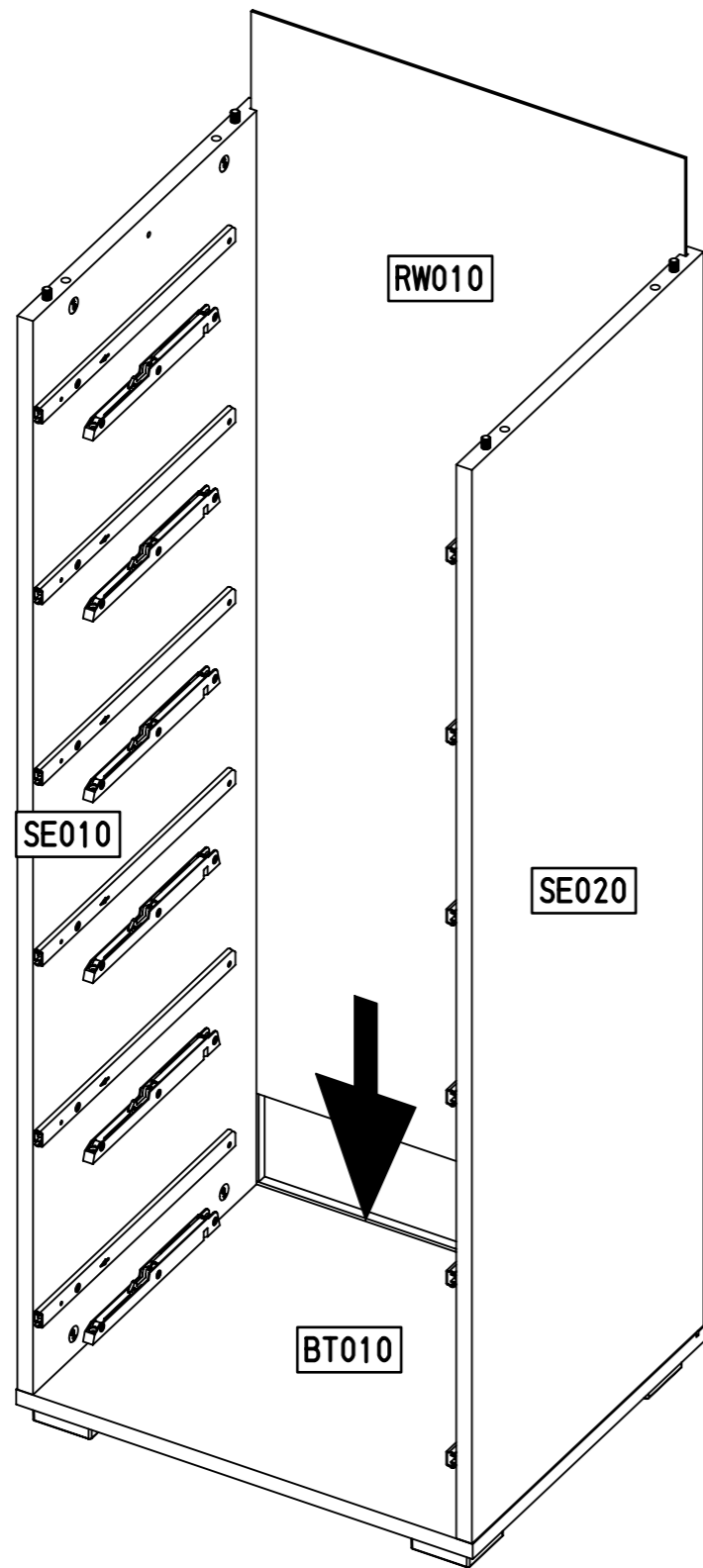


SE010

SE020

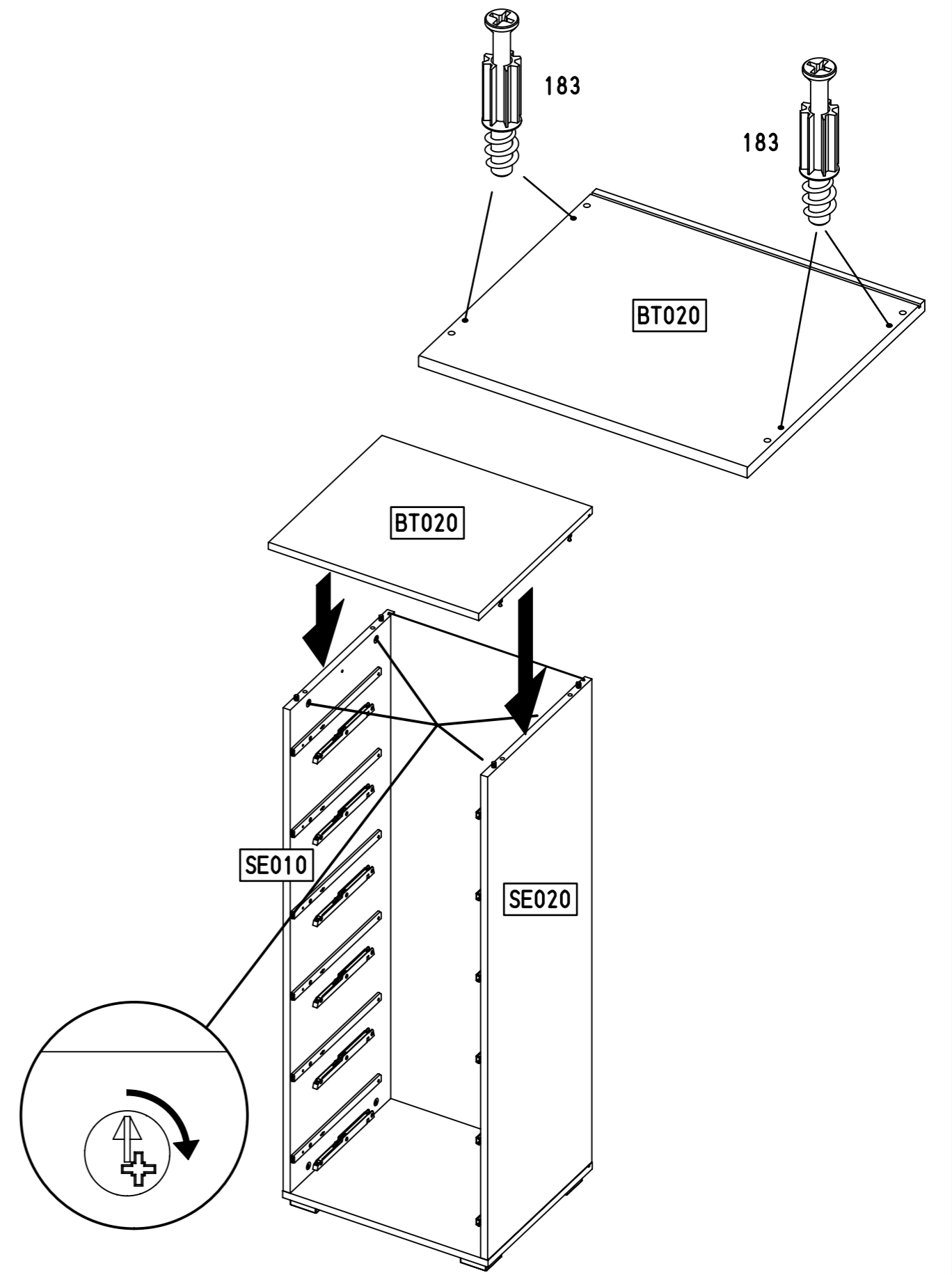
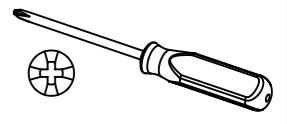
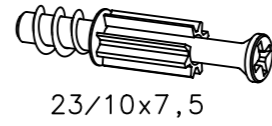
BT010

12



13

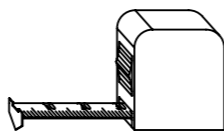
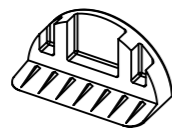
4x 183



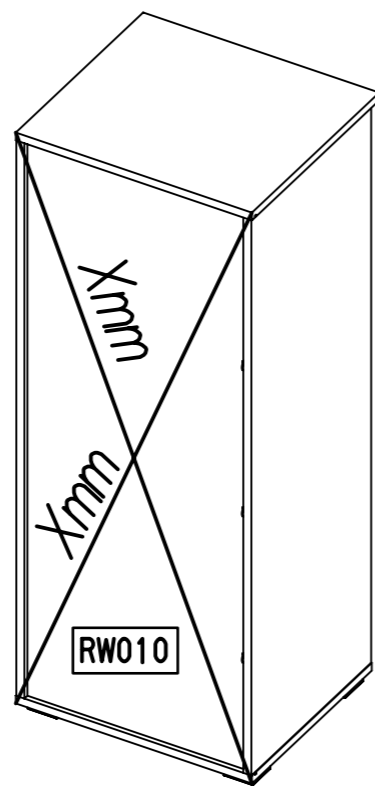
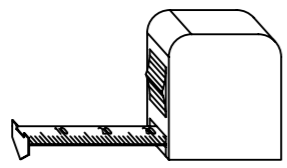


14

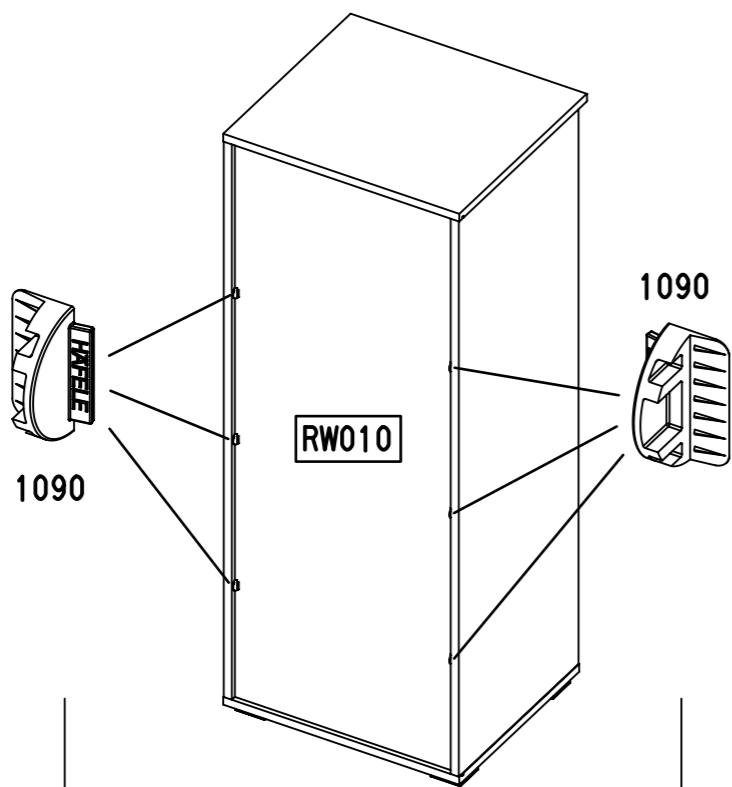
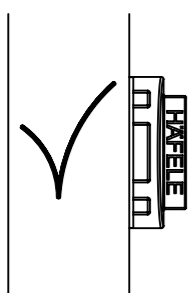
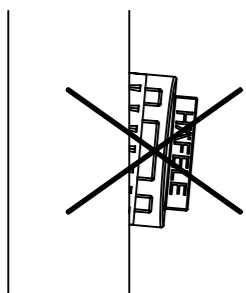
6x 1090



Xmm = Xmm



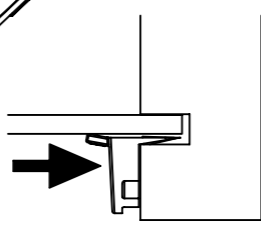
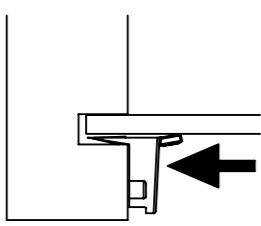
RW010



1090

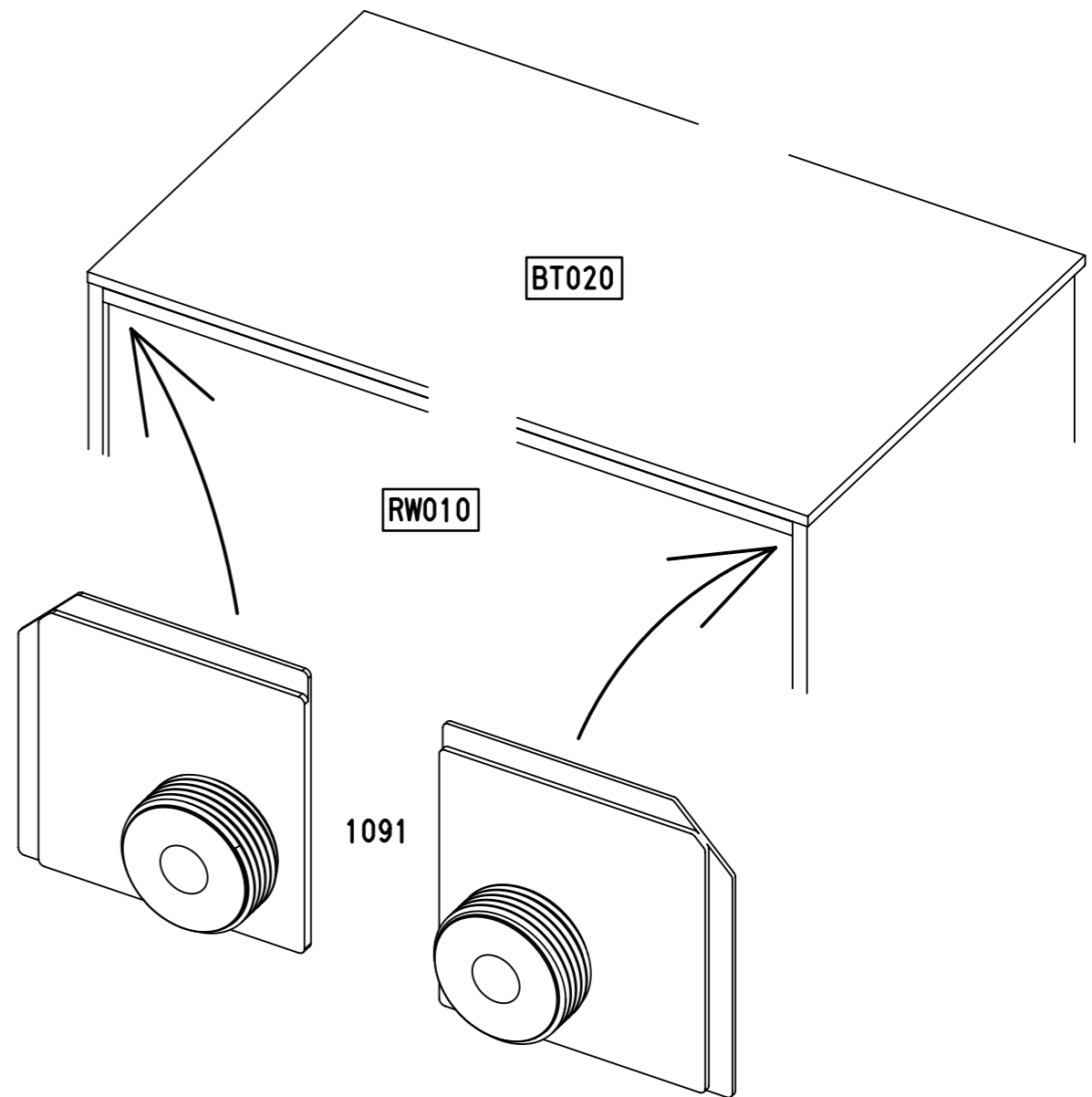
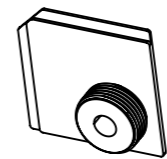
RW010

1090



15

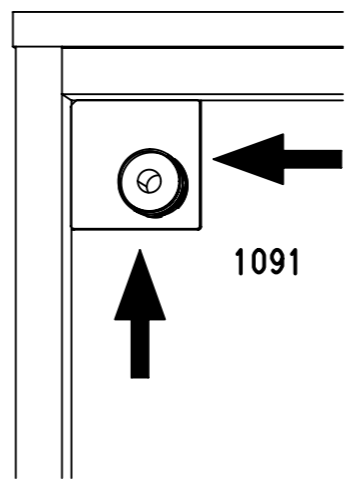
2x 1091



BT020

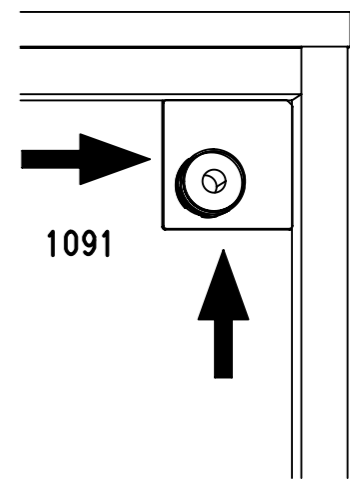
RW010

1091



1091

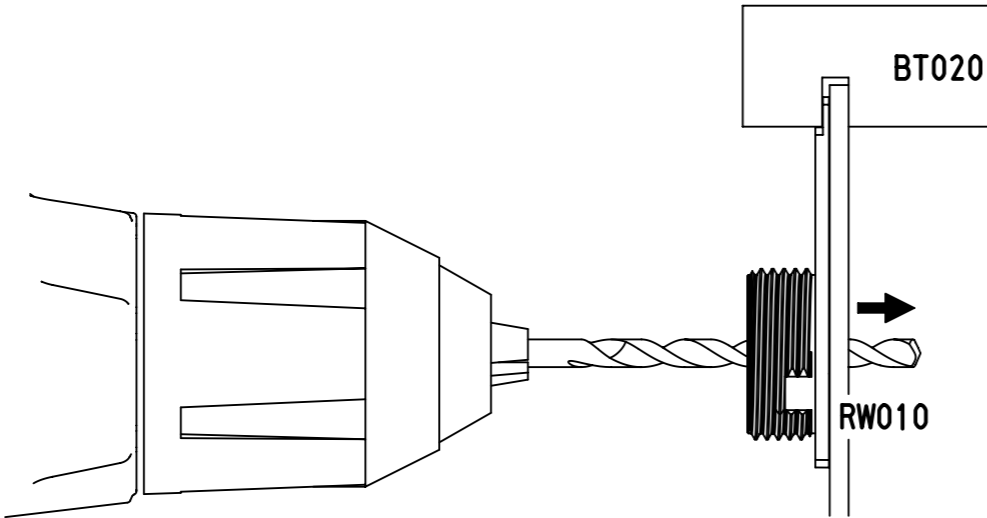
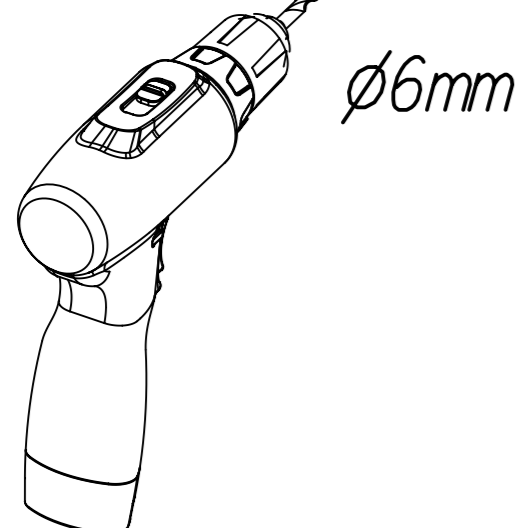
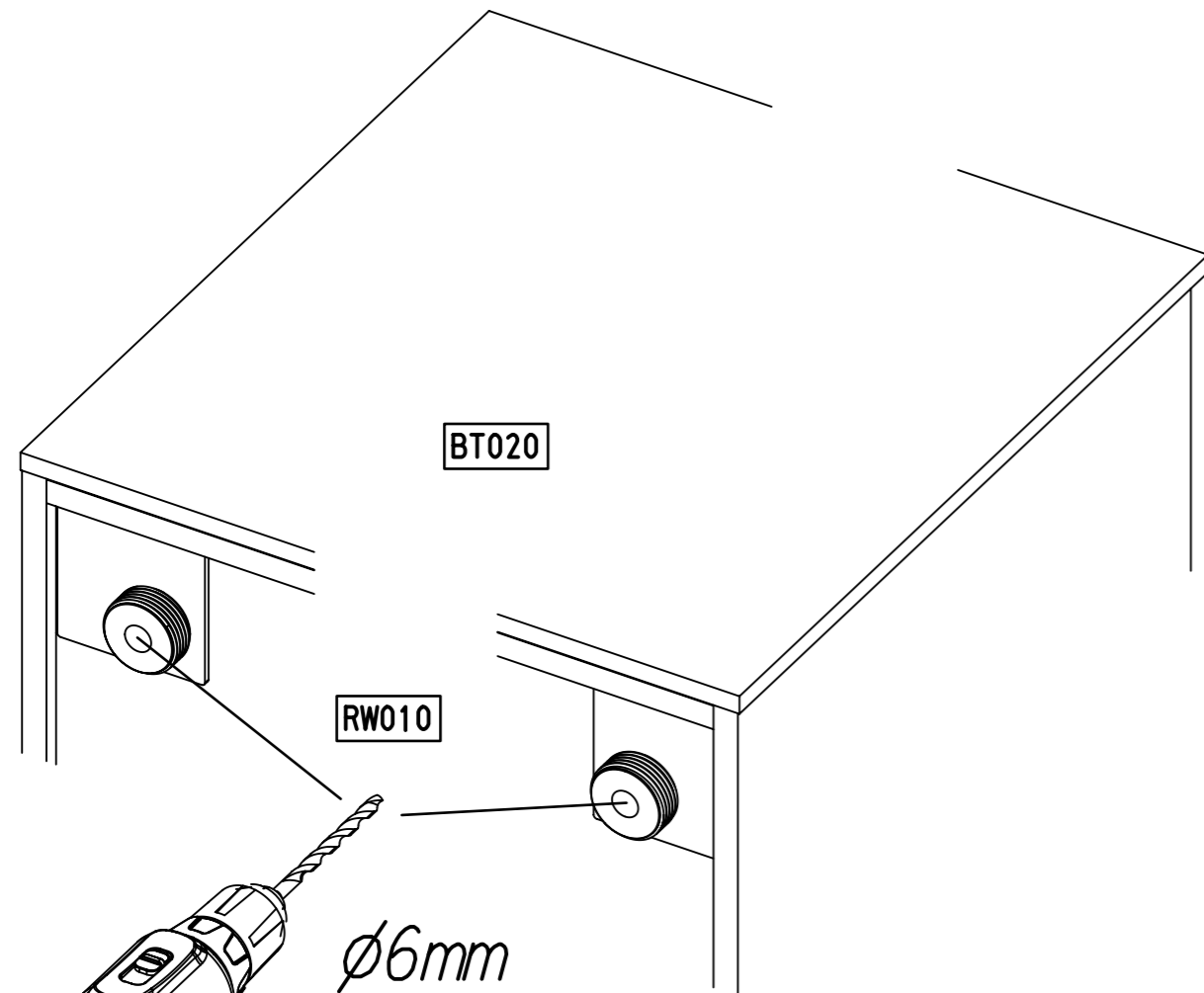
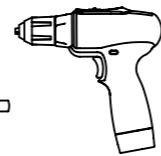
RW010



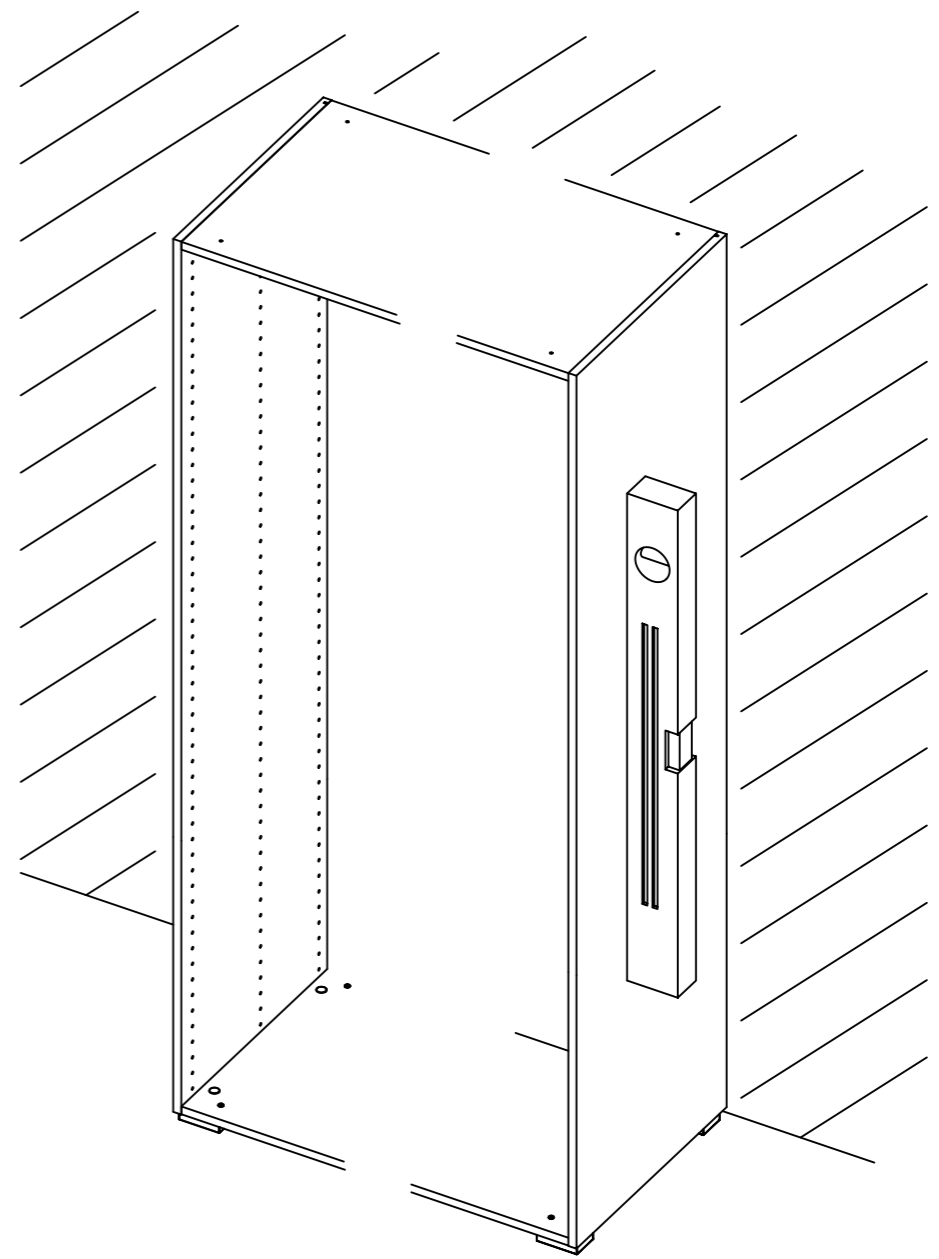
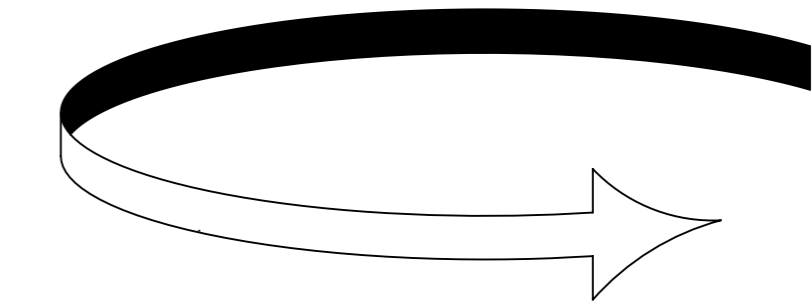
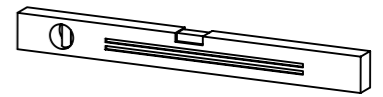
1091

16

∅6mm

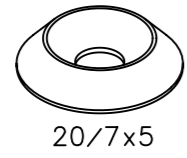


17



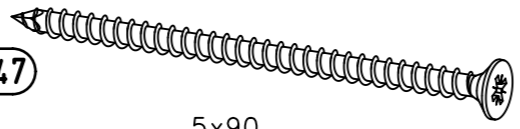
18

2x 1093

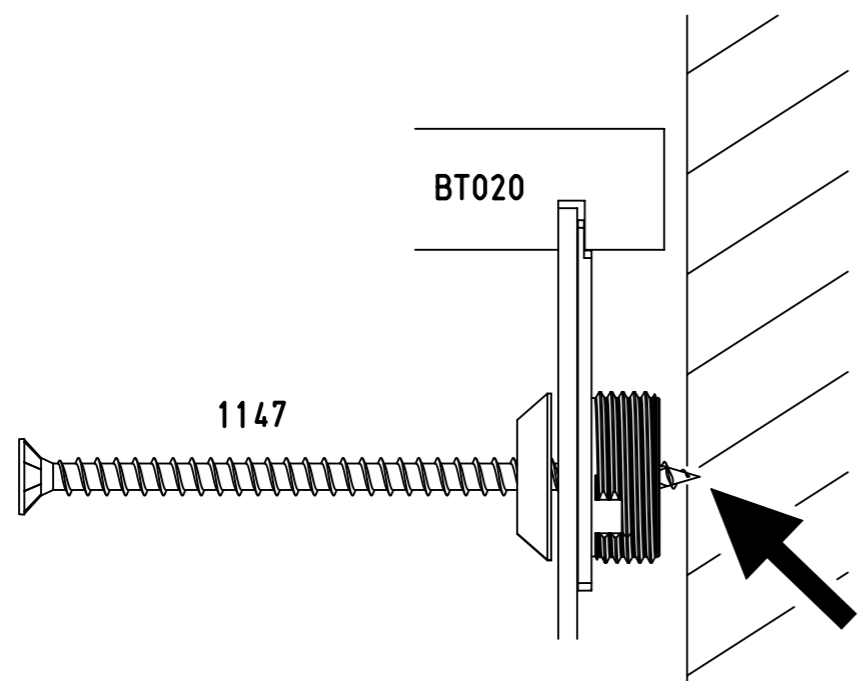
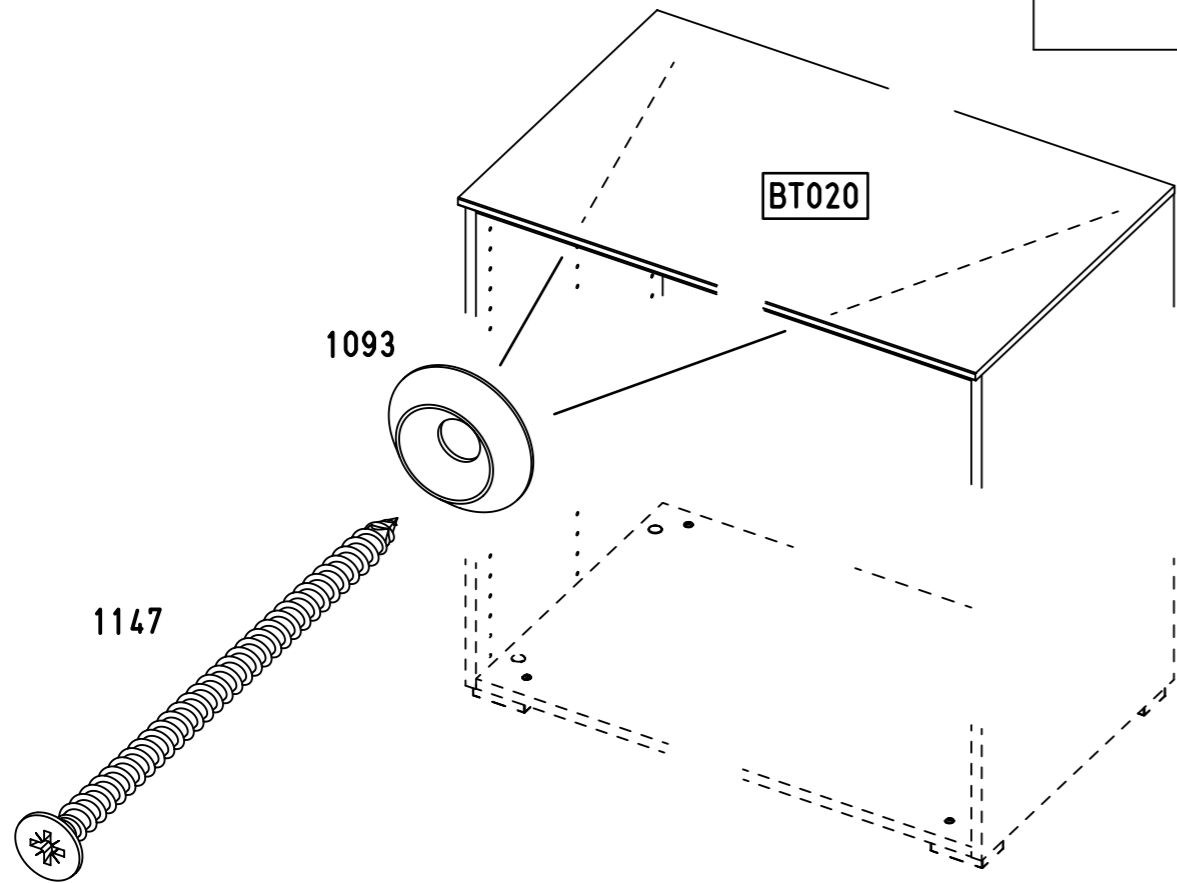
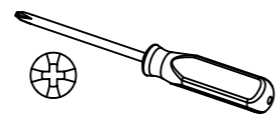


20/7x5

2x 1147



5x90

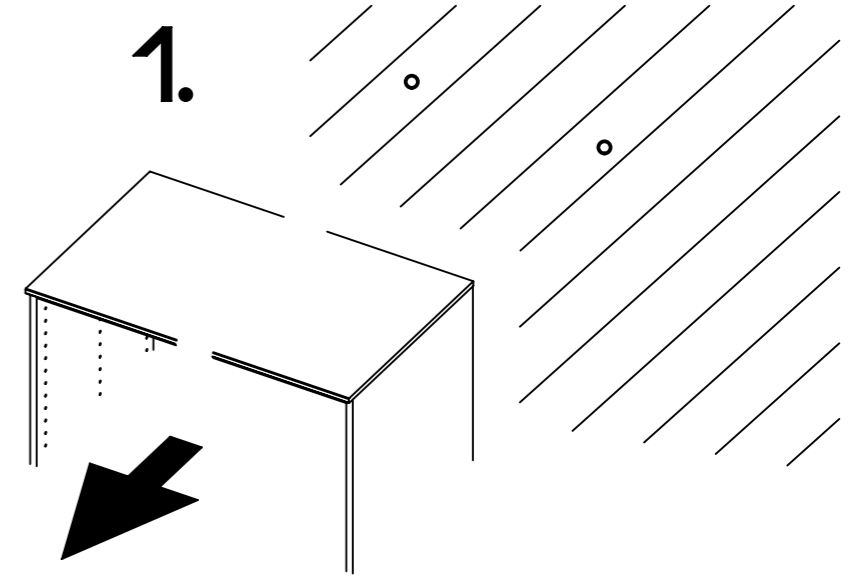


19

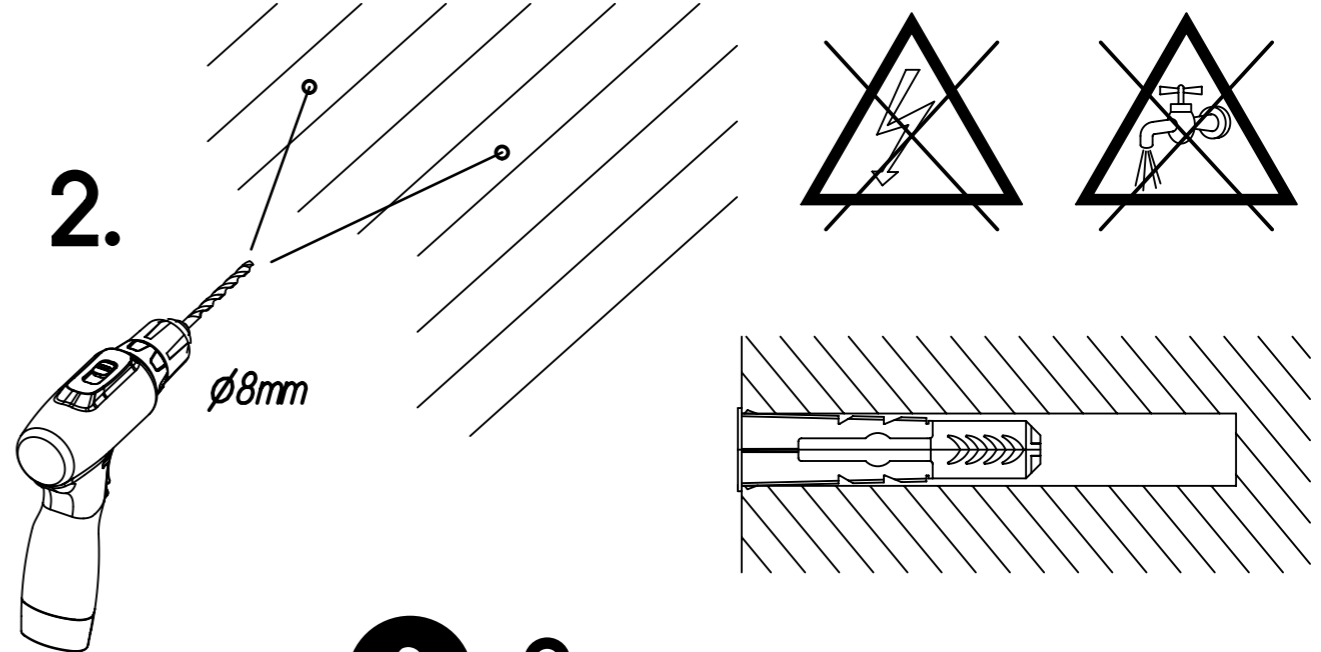
ø8mm



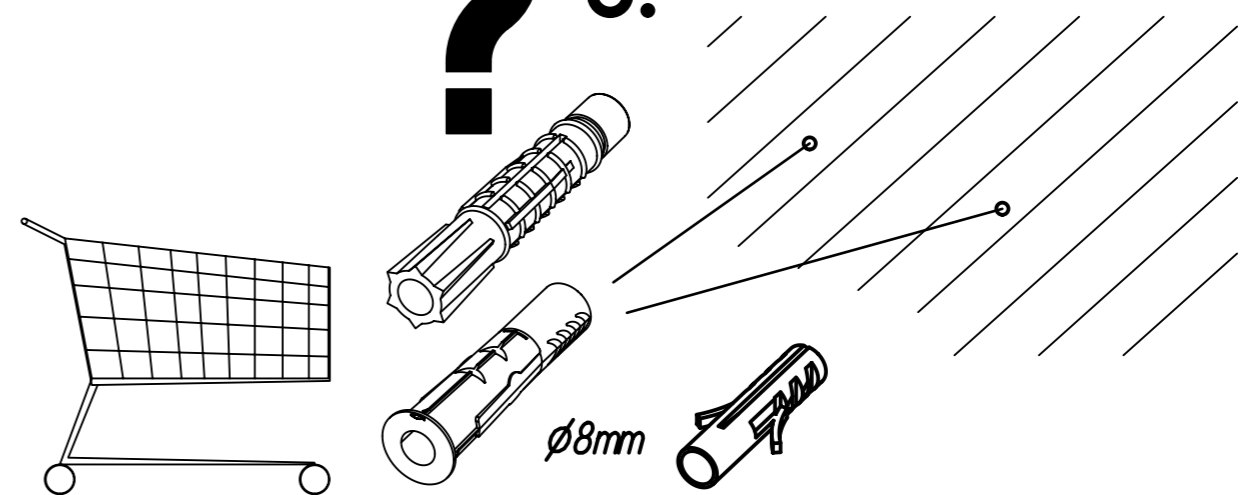
1.



2.

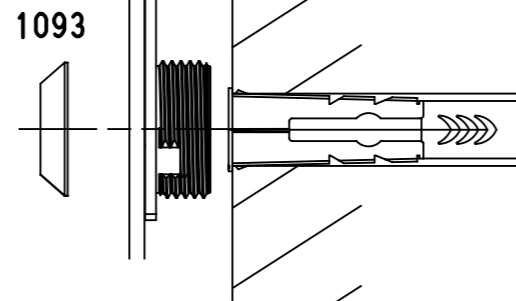
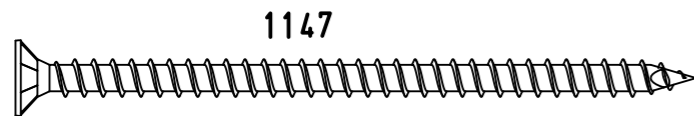
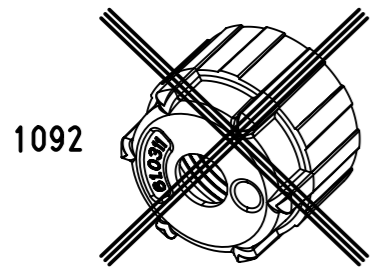
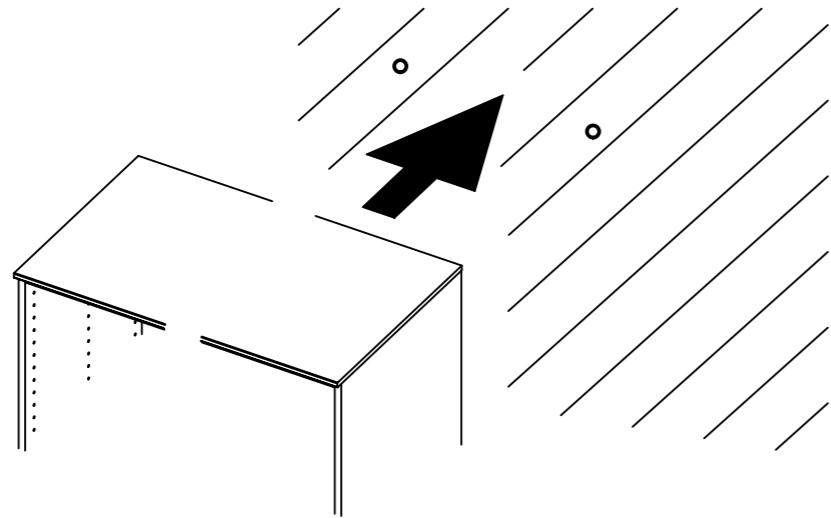
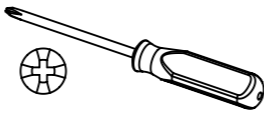
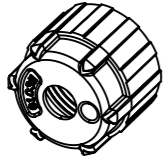


? 3.

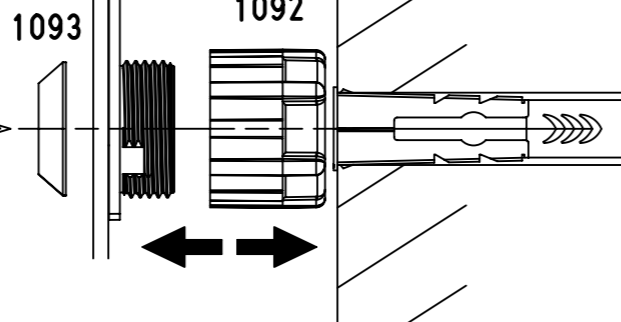
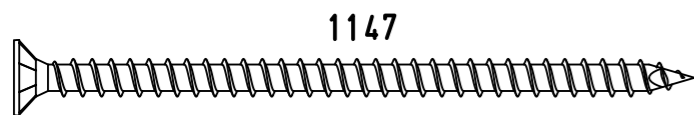


20

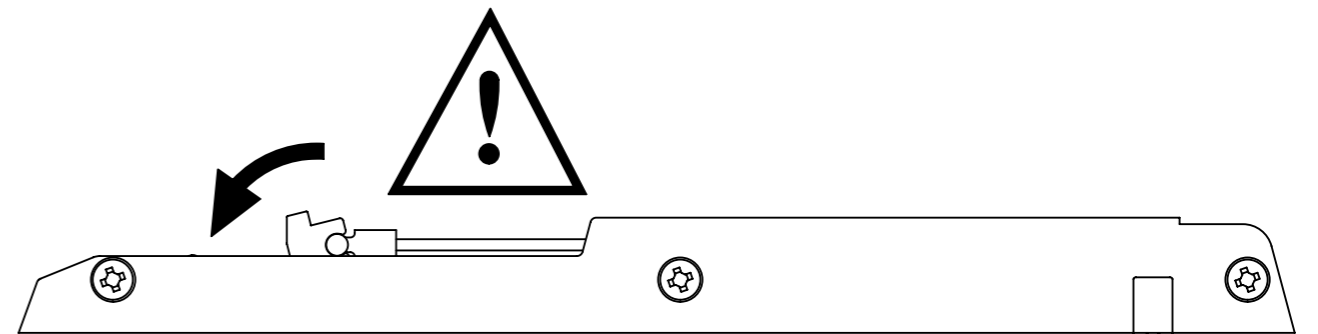
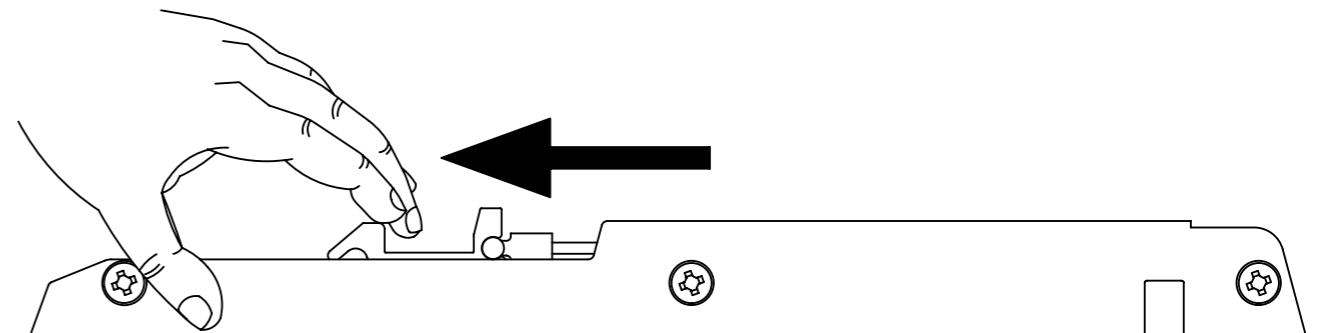
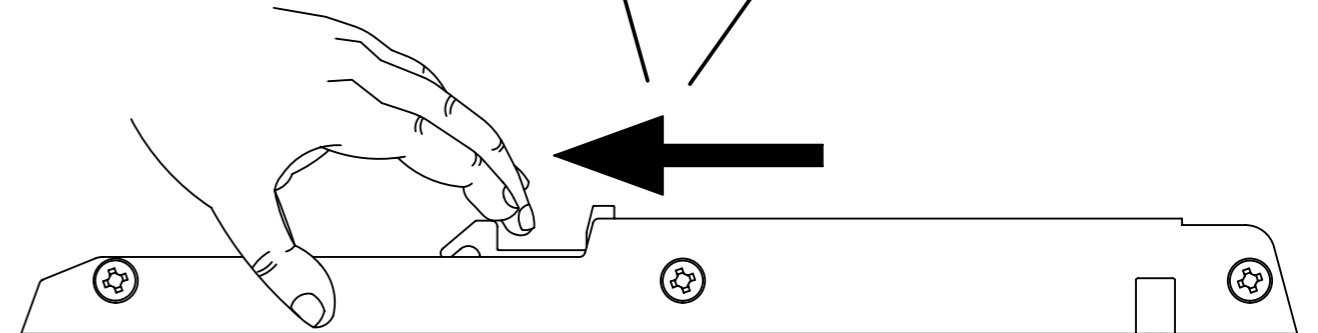
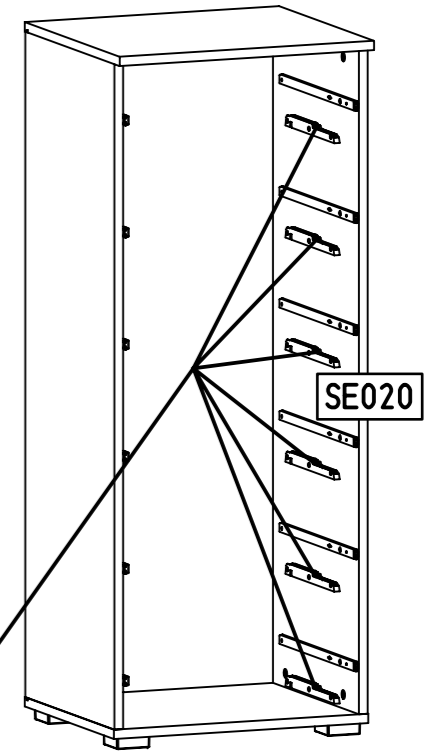
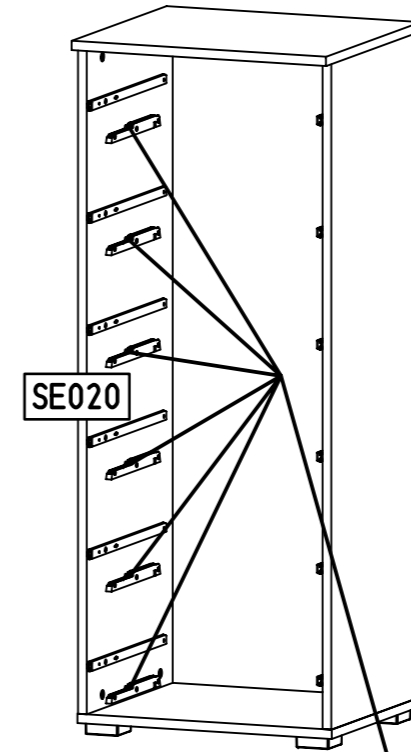
2x 1092



10-15mm



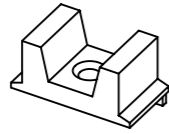
21



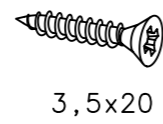
25.

22

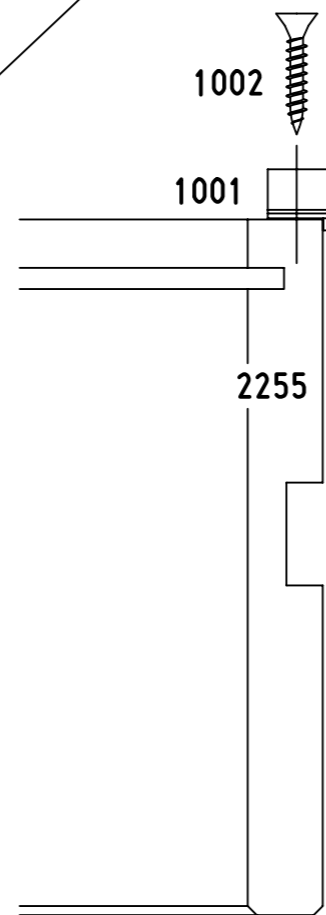
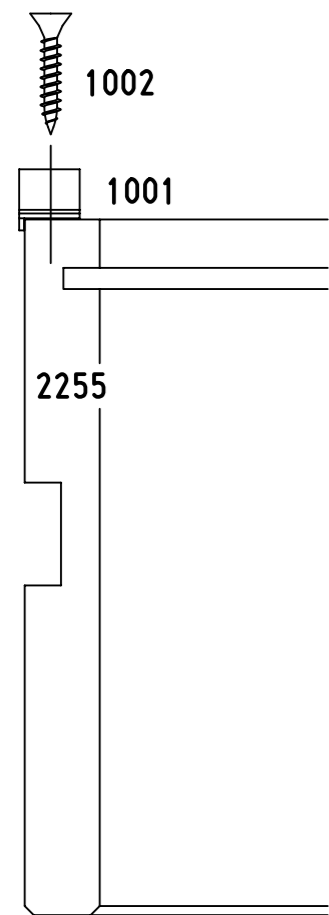
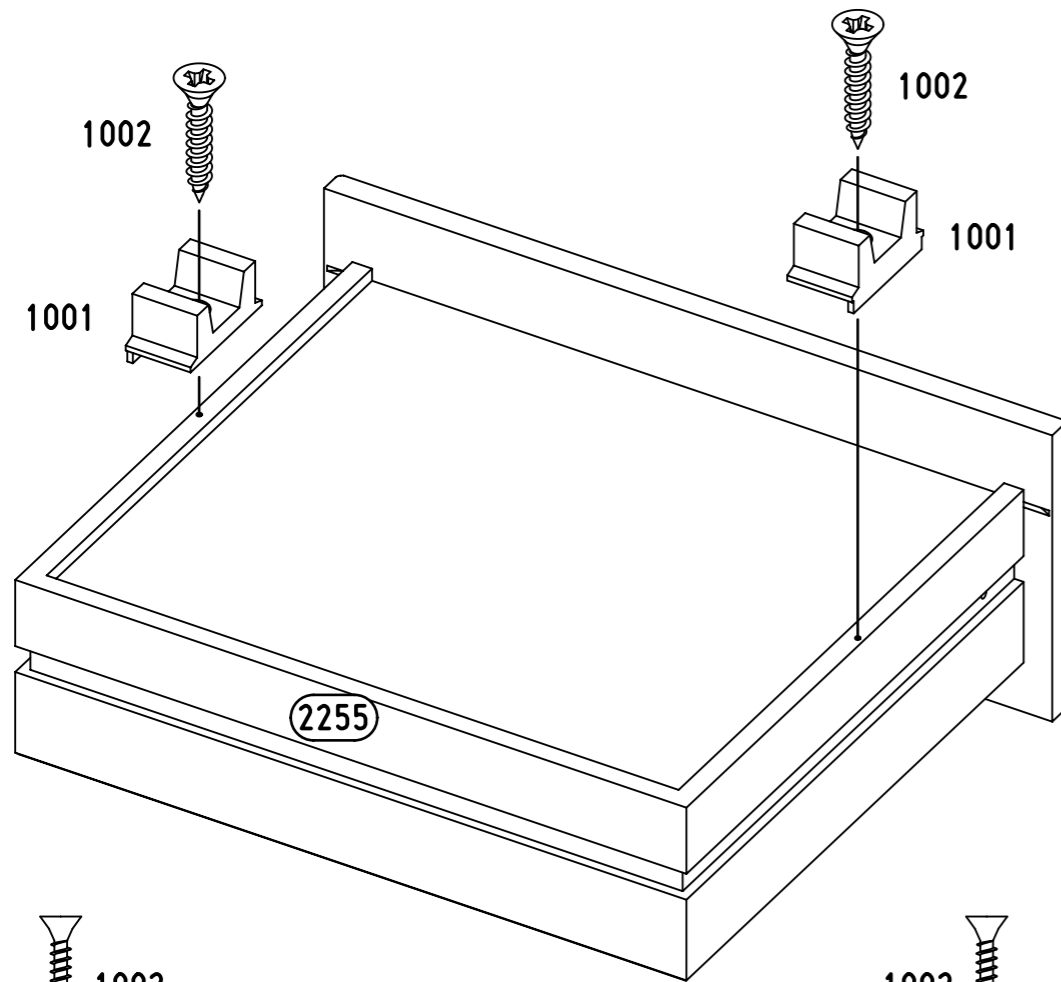
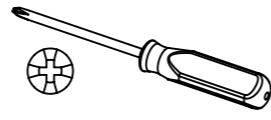
12x 1001



12x 1002



3,5x20



M2165

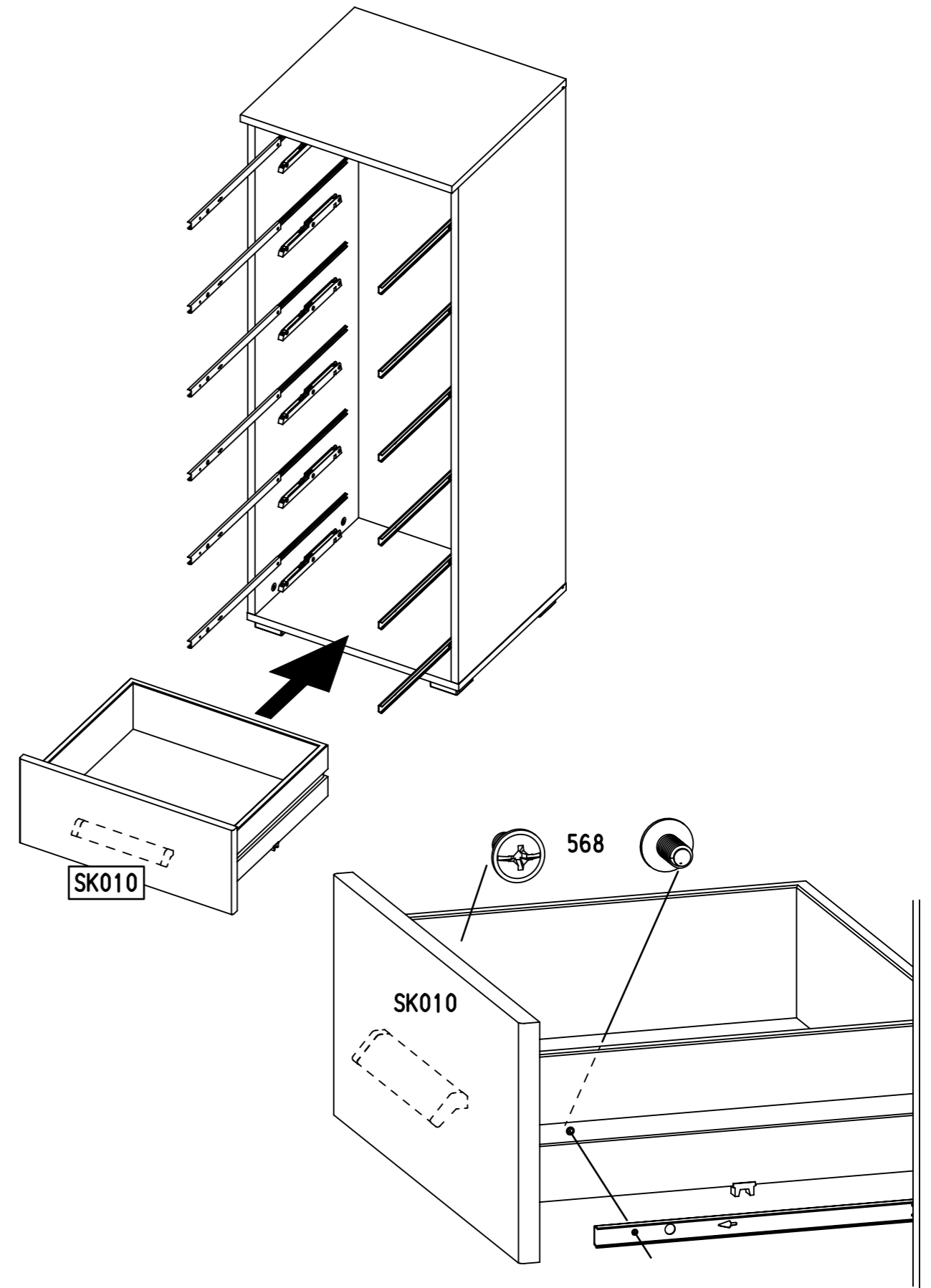
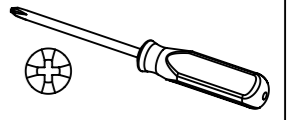
26.

23

12x 568



M4x9



M2165