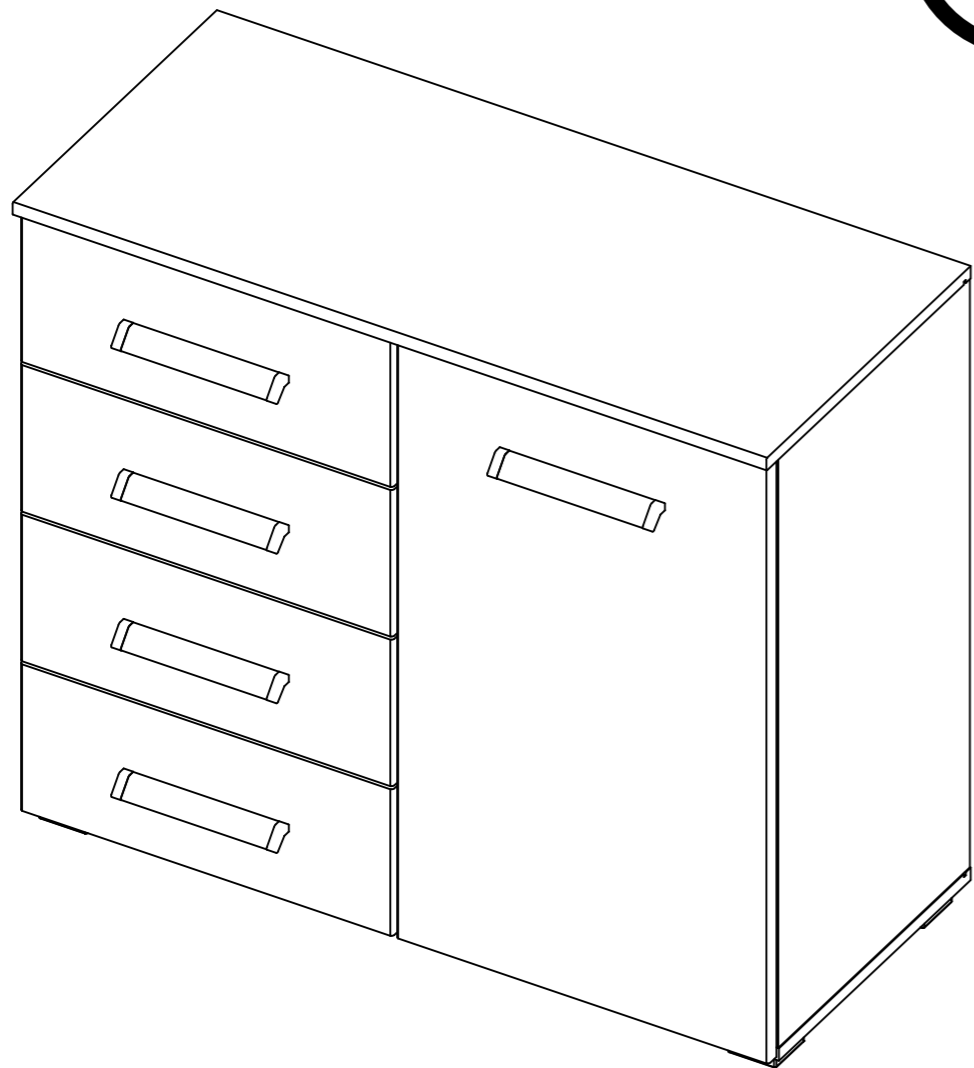
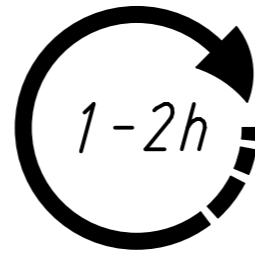
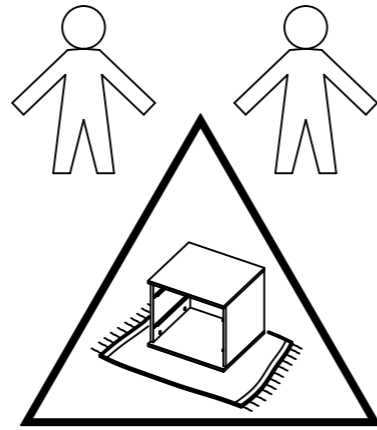
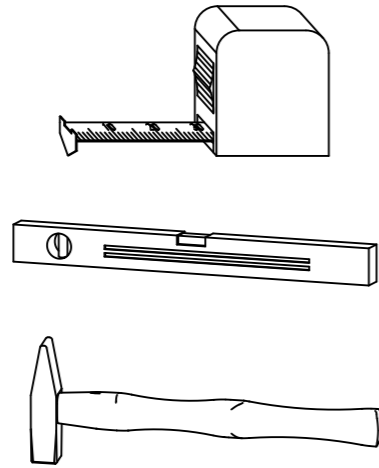
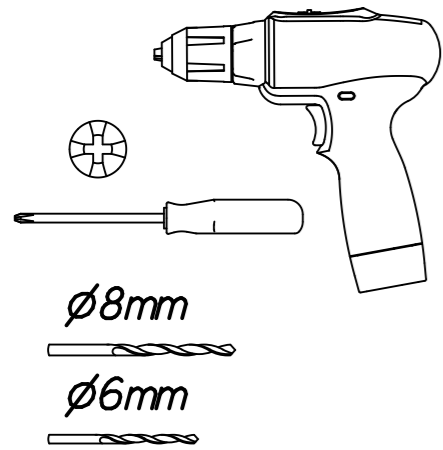


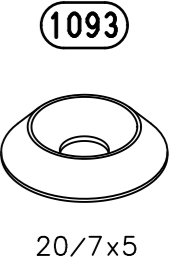
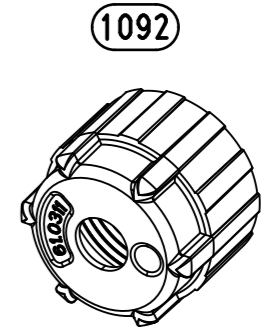
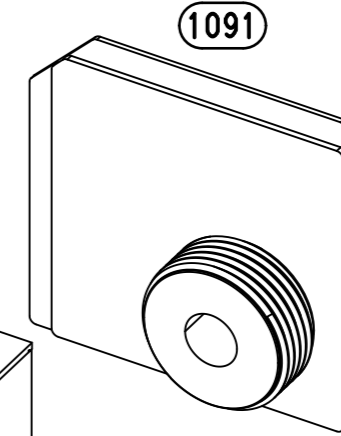
1.

M2145_05

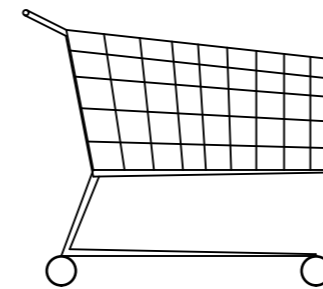
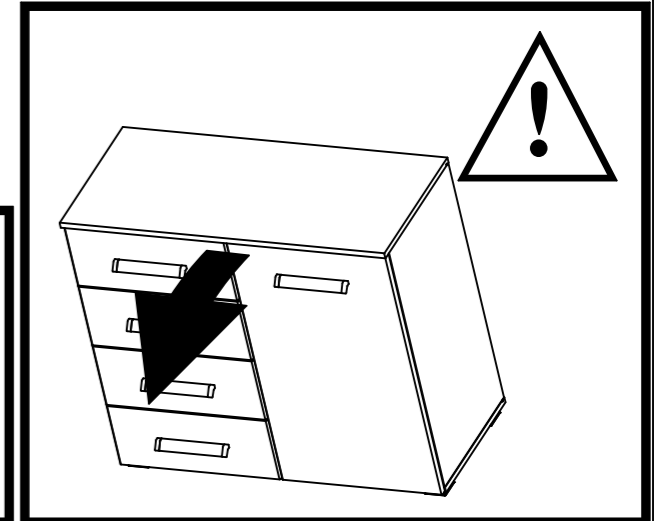
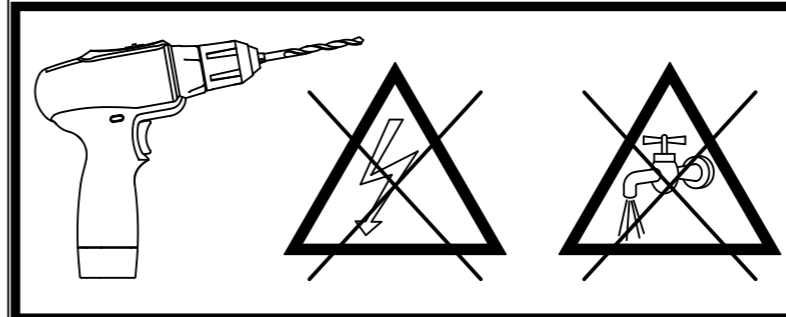
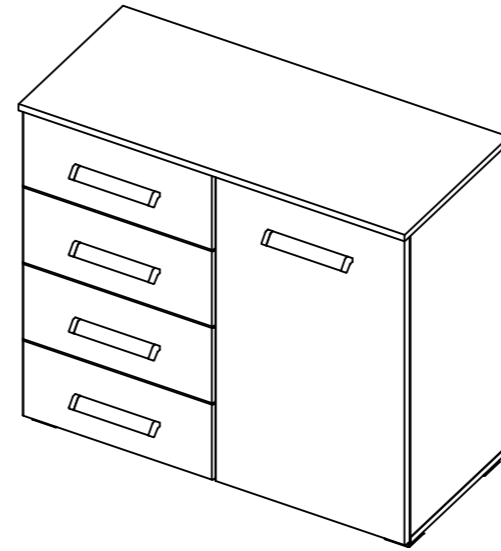
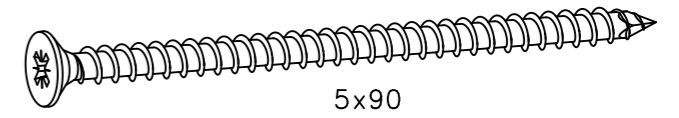


2.

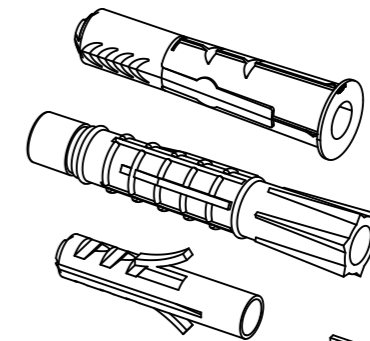
2x



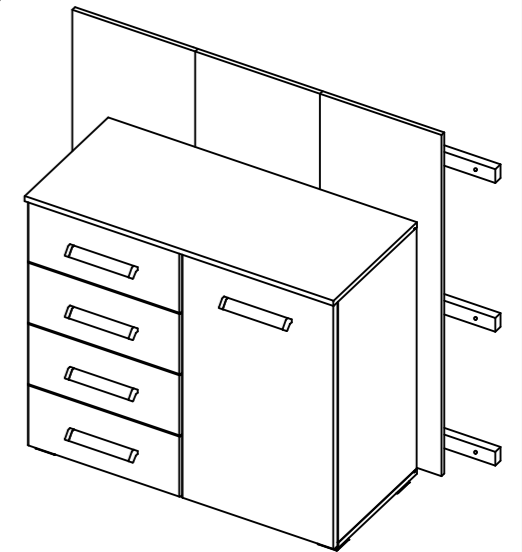
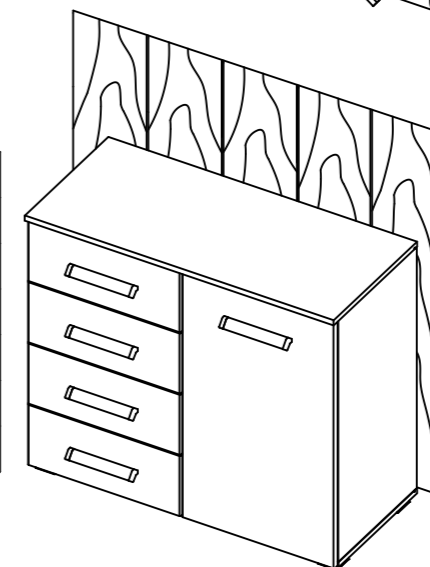
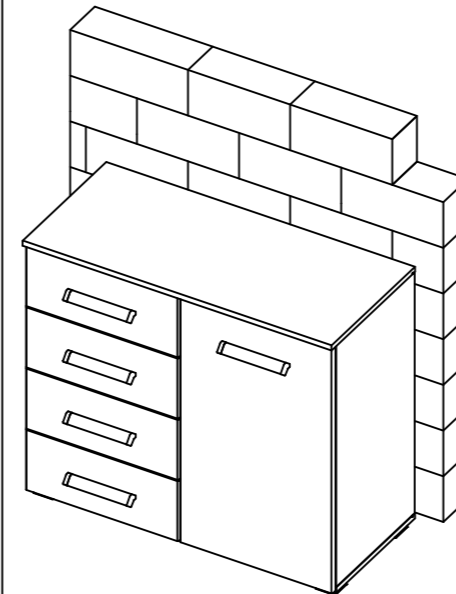
1147



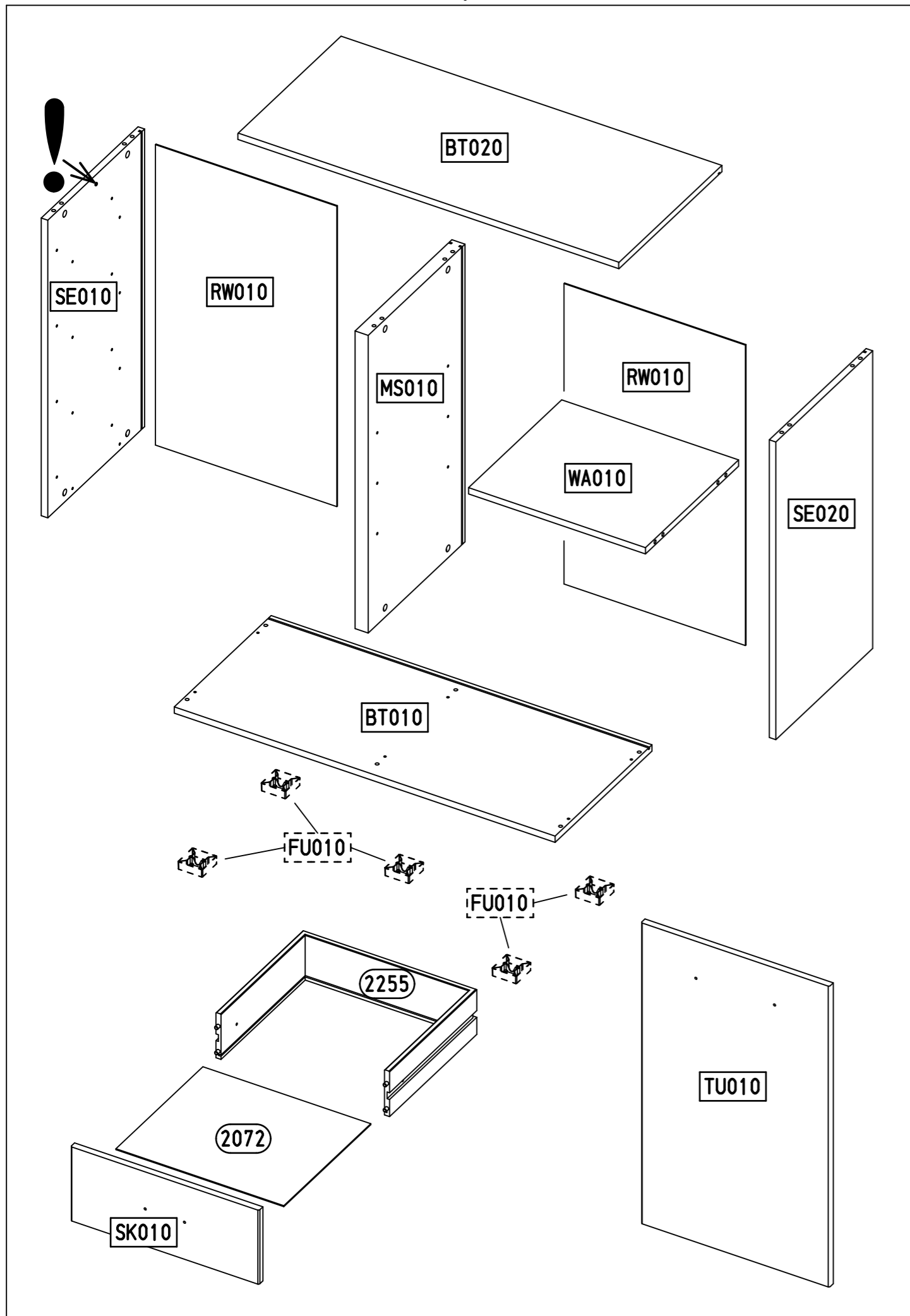
ø8mm



?

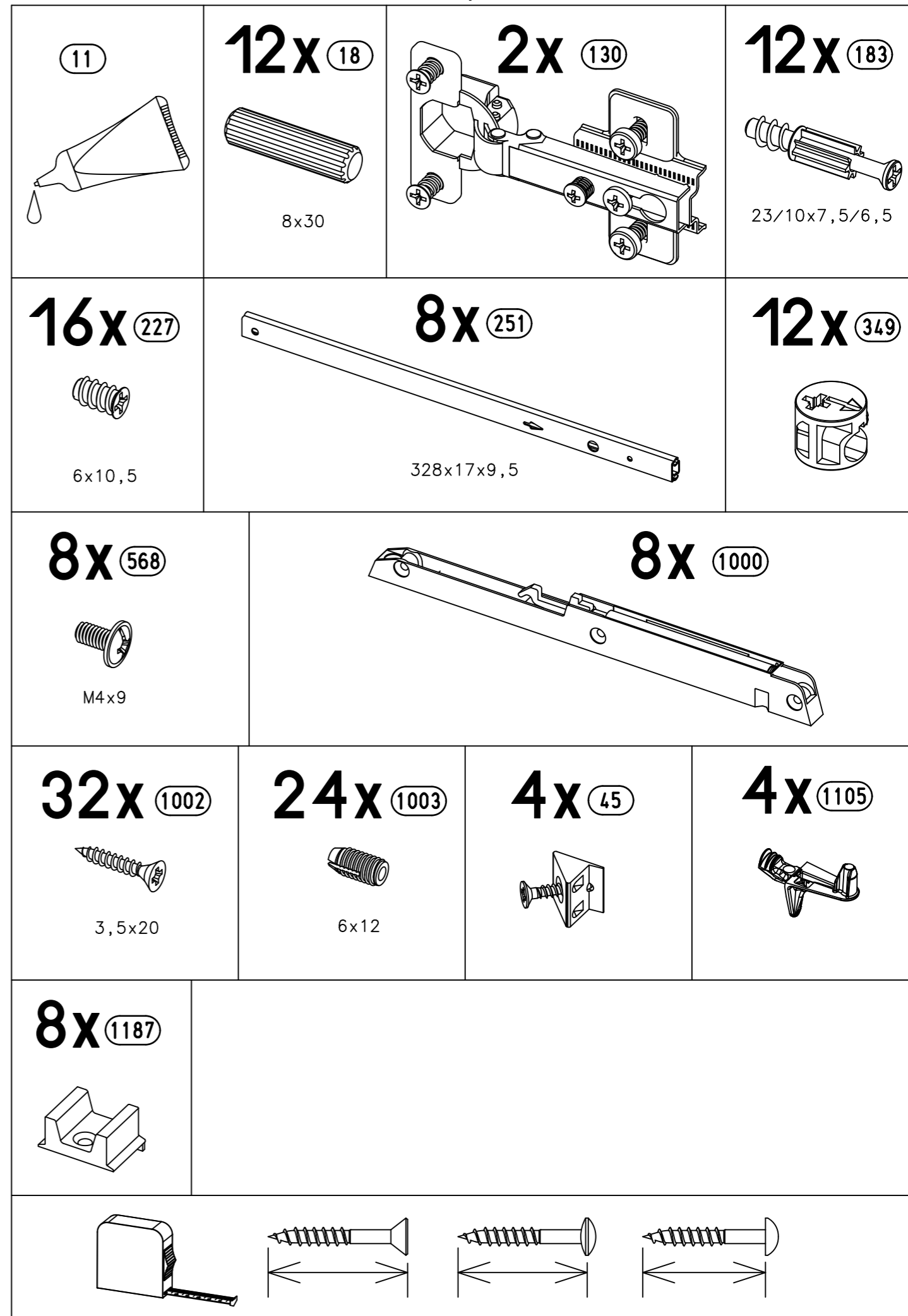


3.



M2145

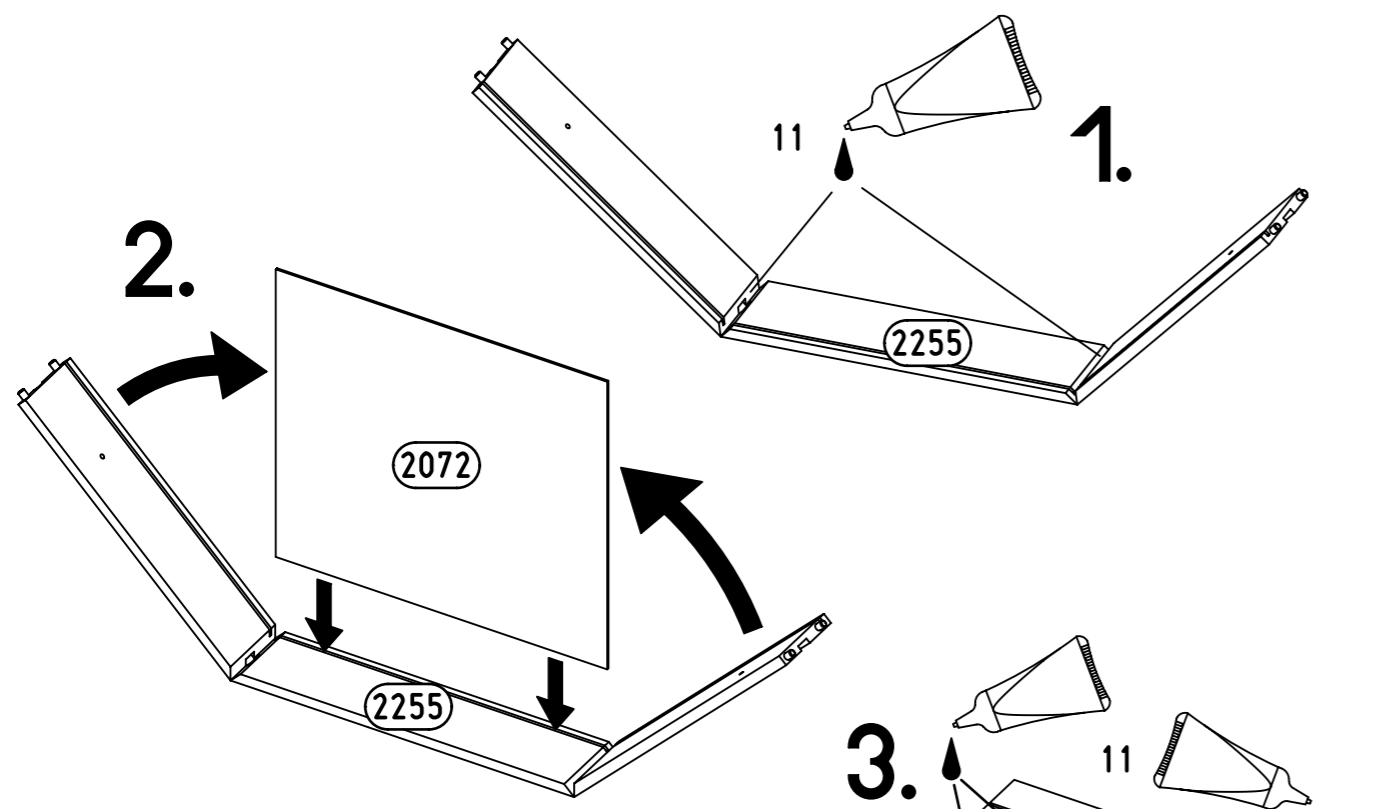
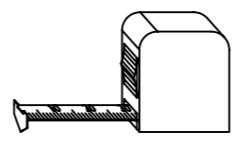
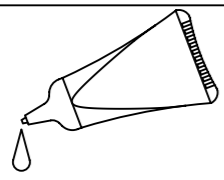
4.



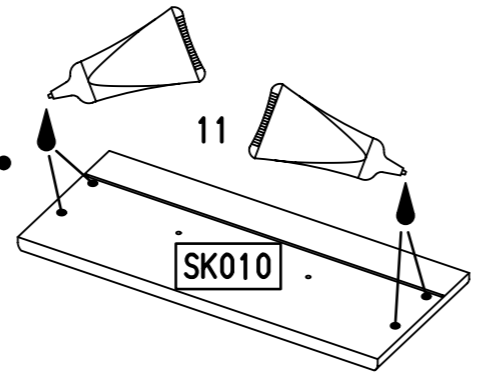
M2145

1

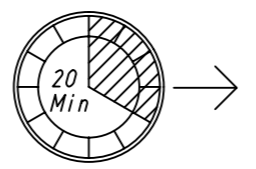
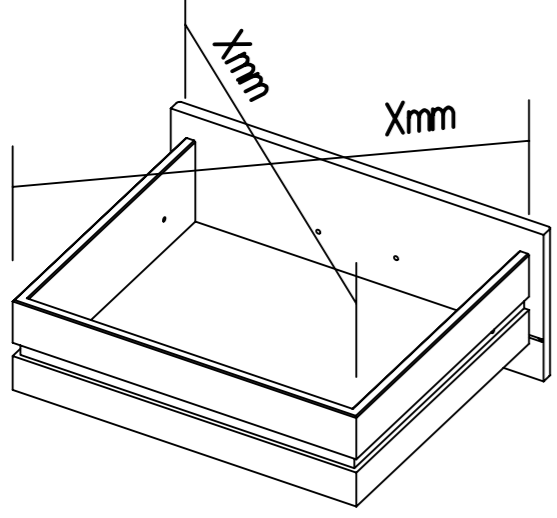
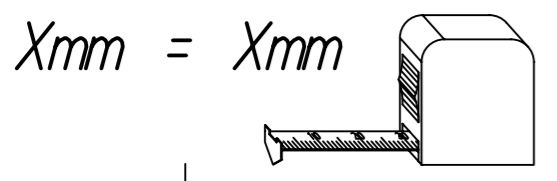
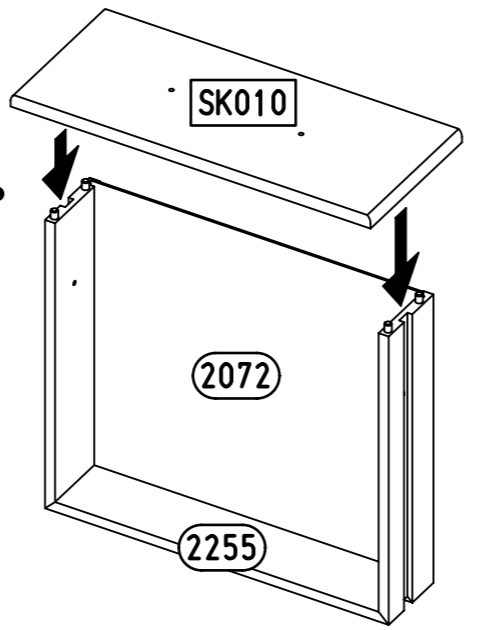
11



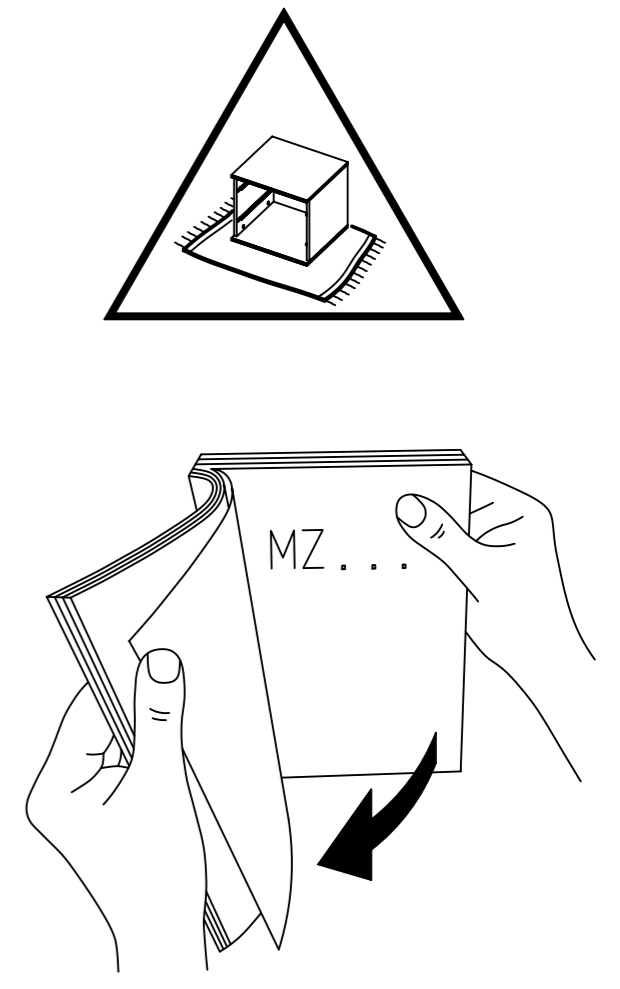
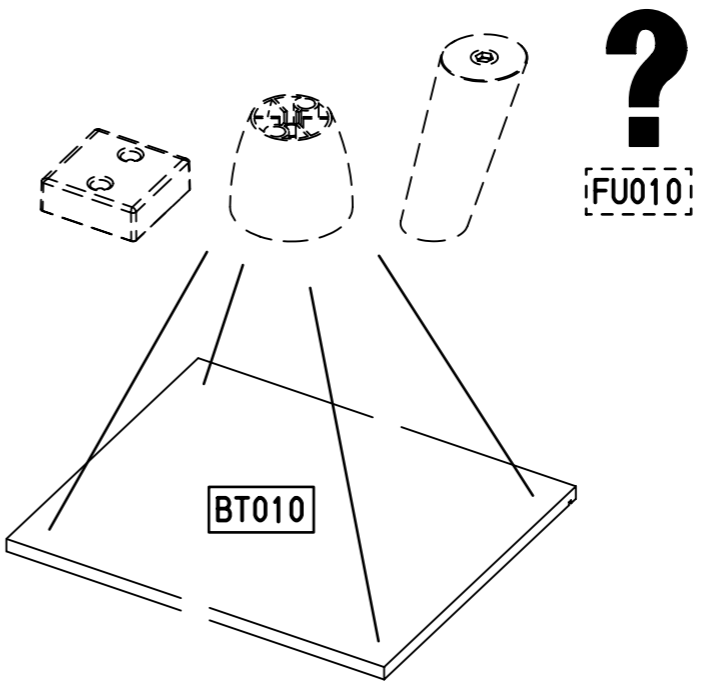
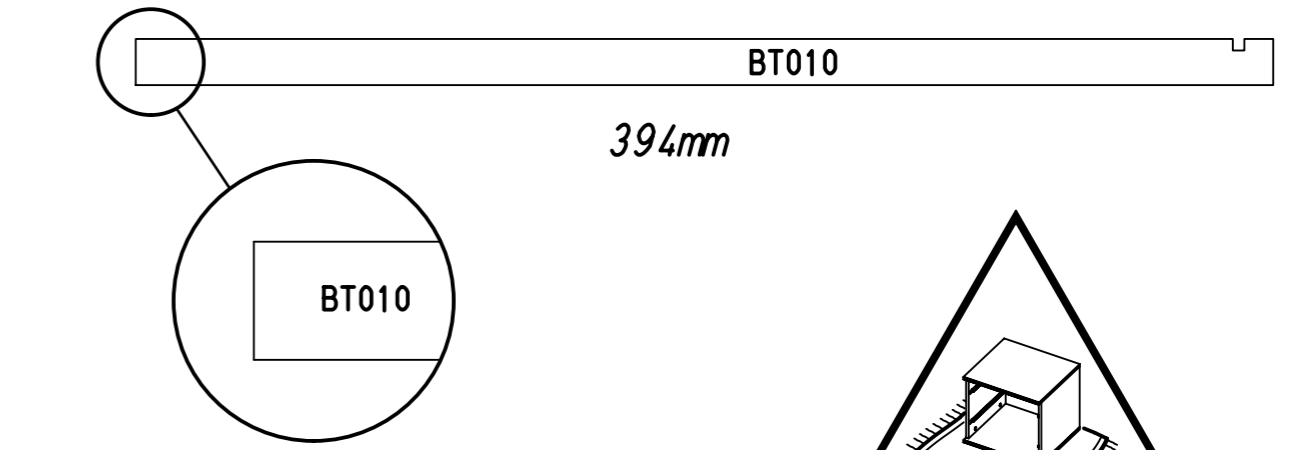
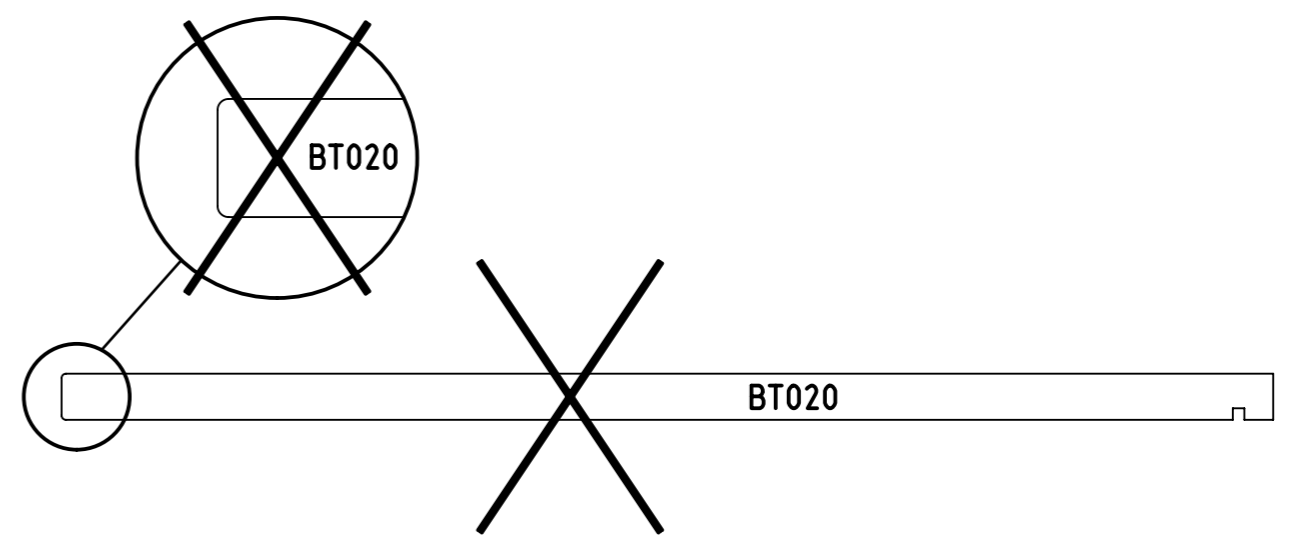
3.



4.

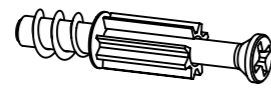


2

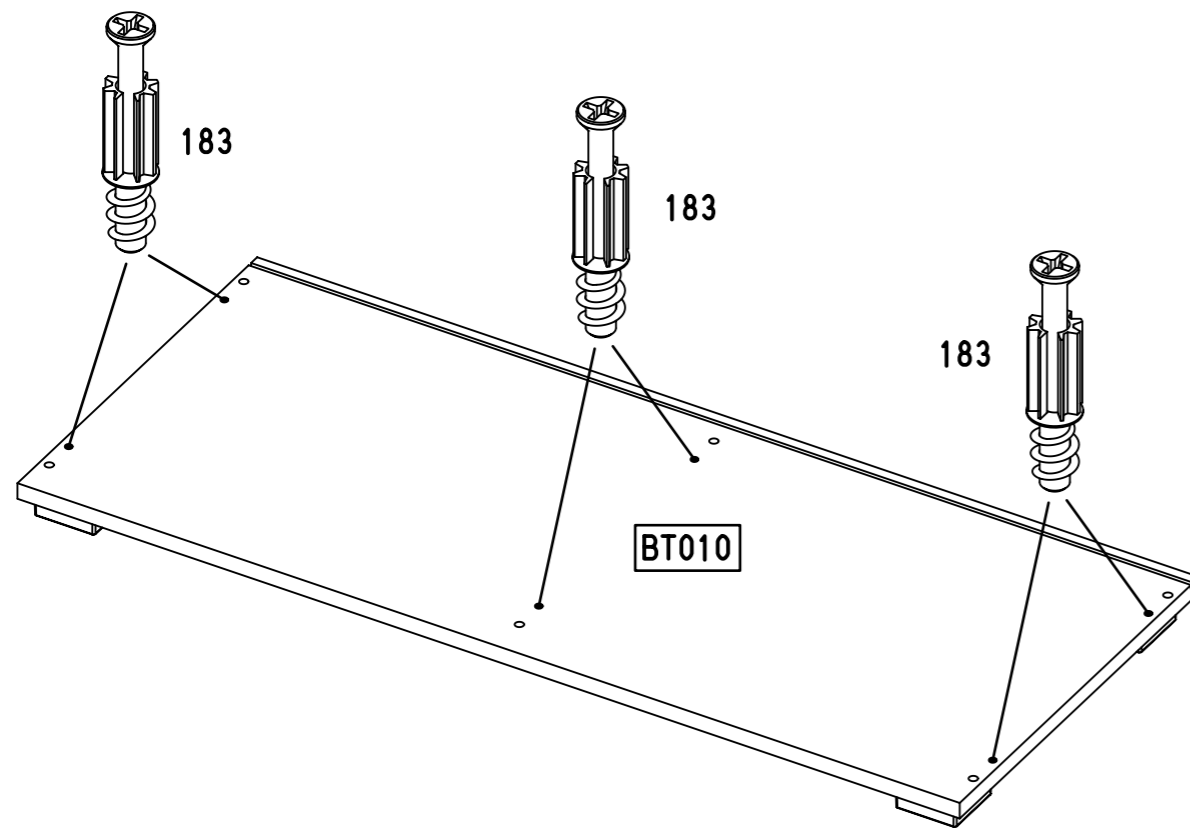
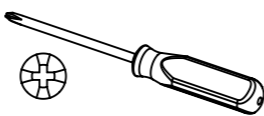


3

6x 183

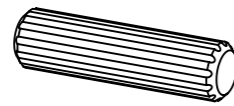


23/10x7,5/6,5

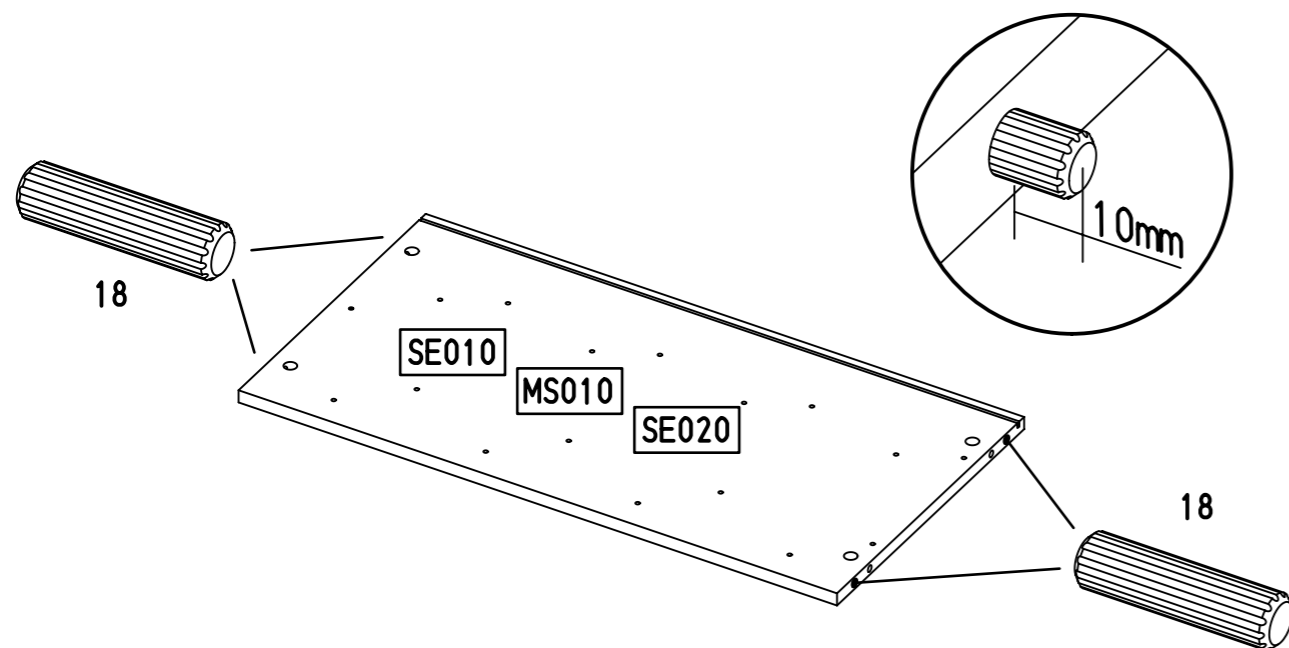


4

12x 18

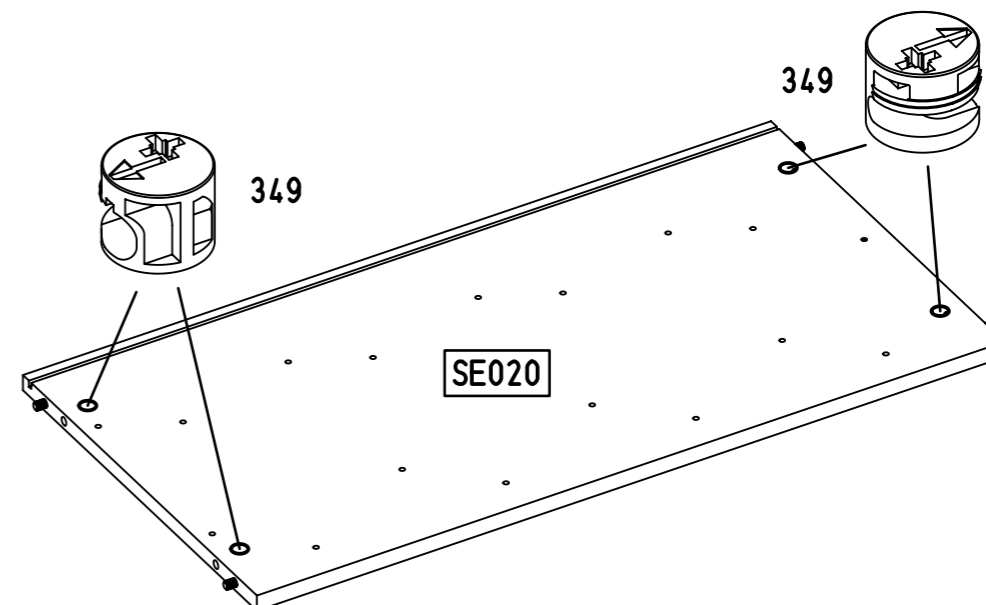
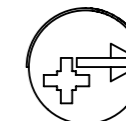
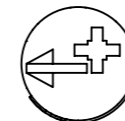
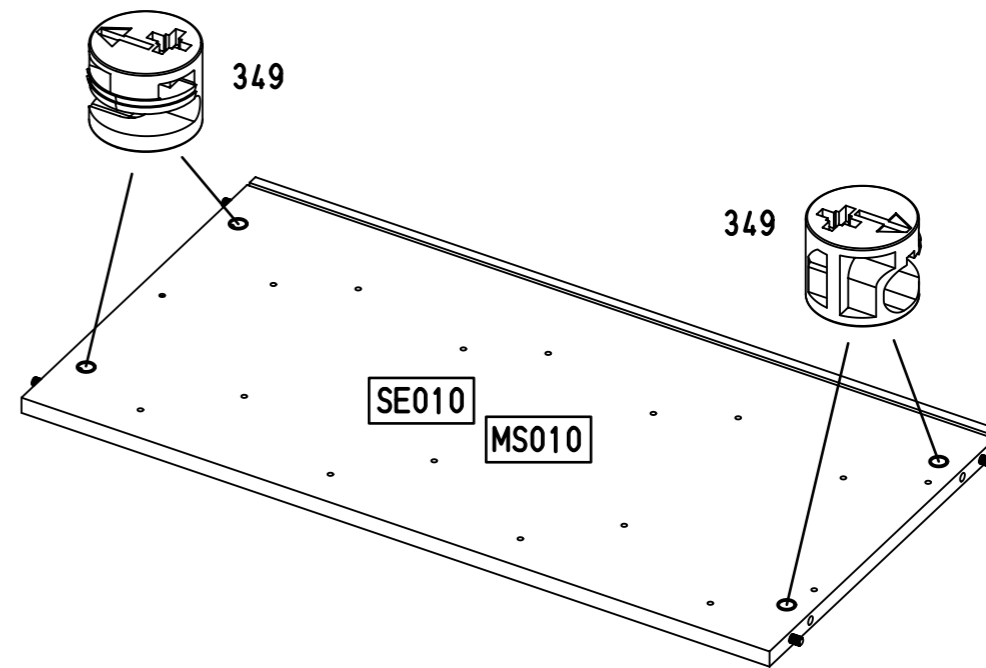
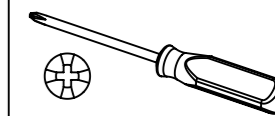
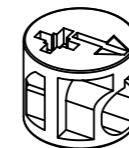


8x30



5

12x 349

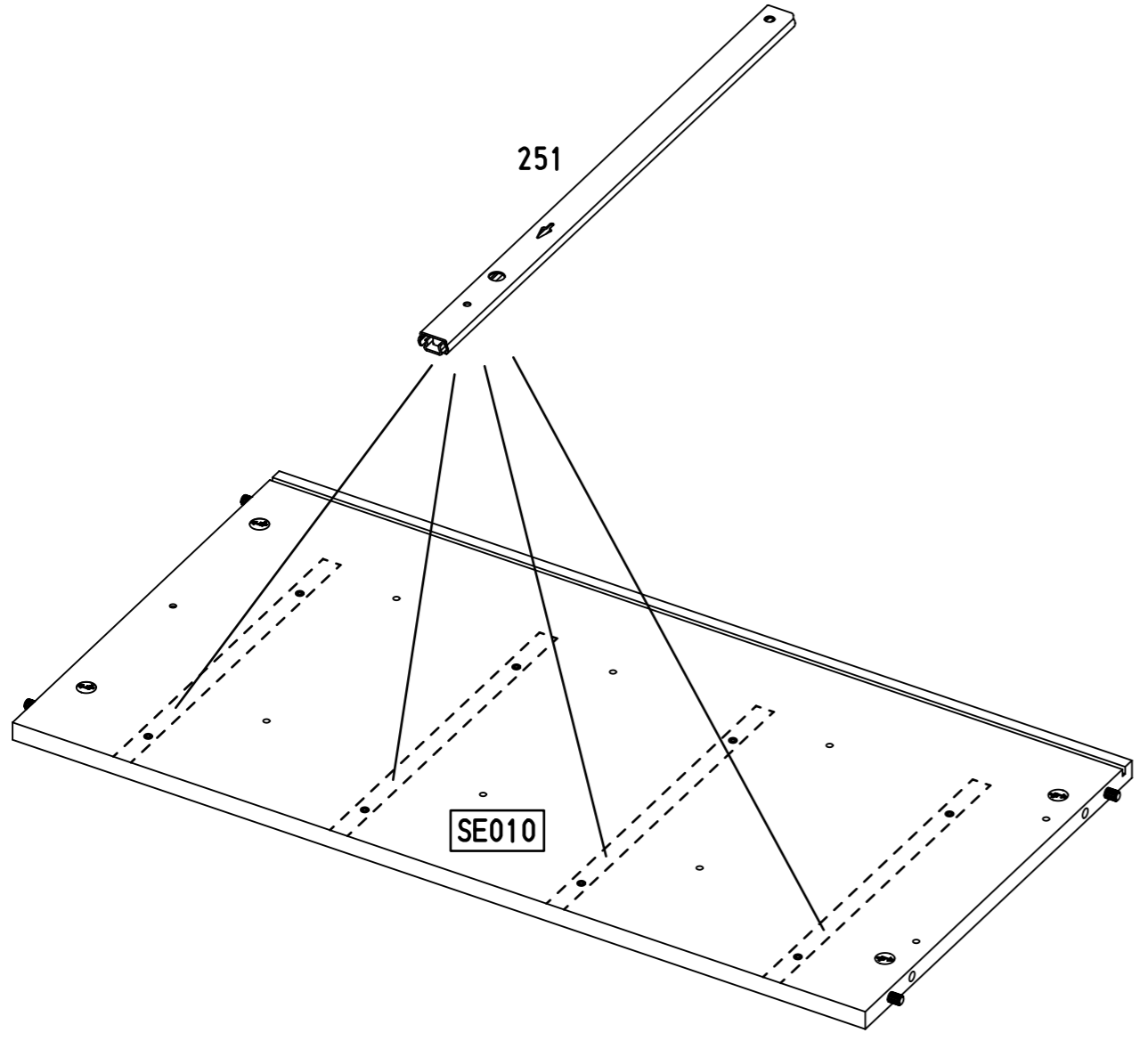
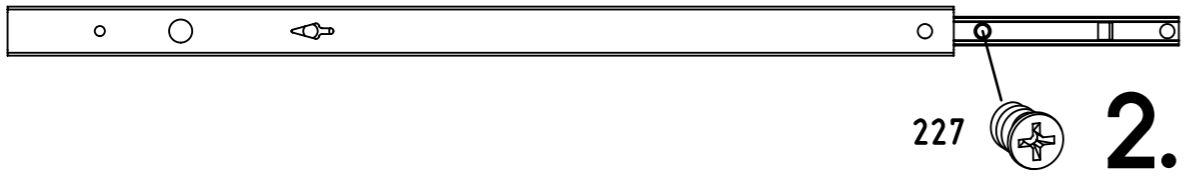
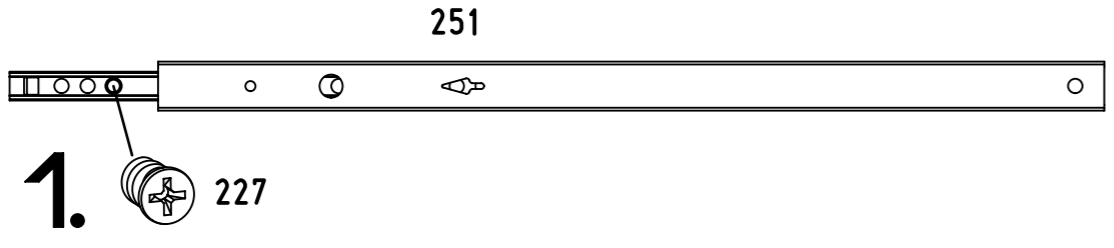
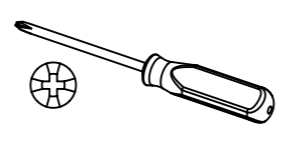


9.

6

4x (251) 328x17x9,5

8x (227) 6x10,5

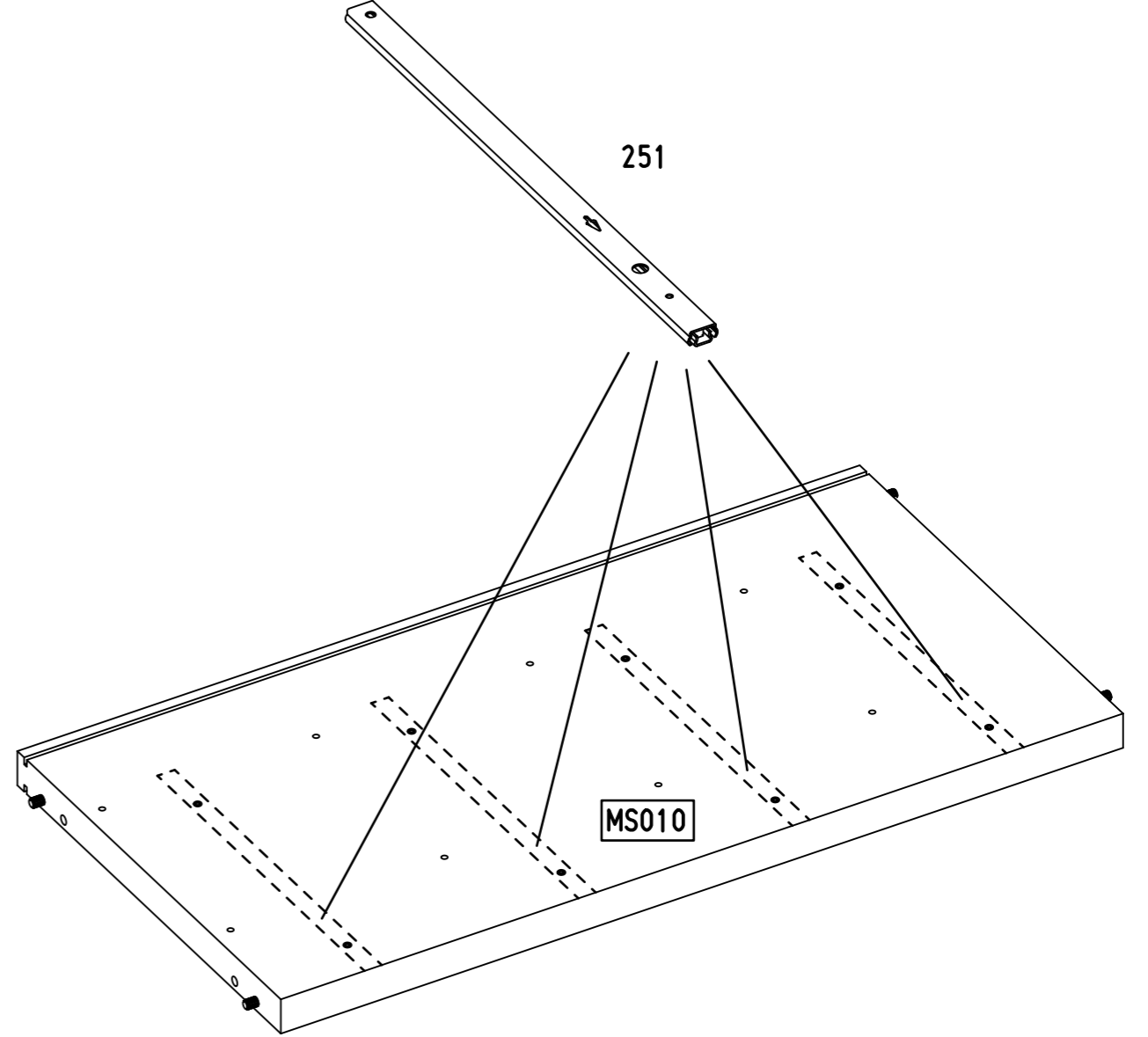
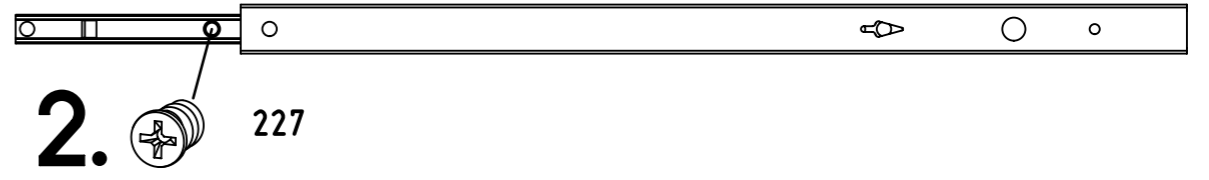
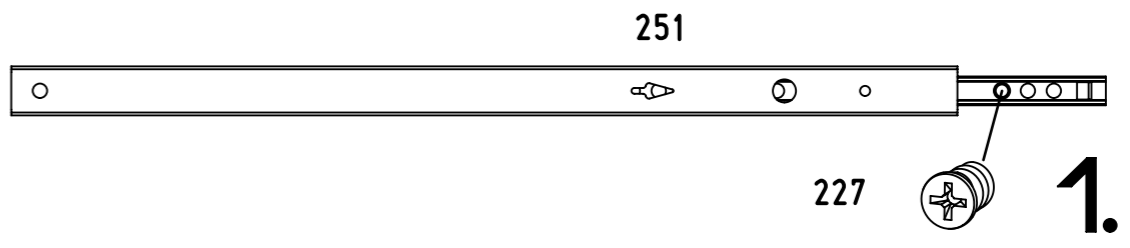
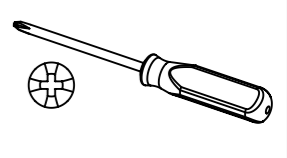


10.

7

4x (251) 328x17x9,5

8x (227) 6x10,5

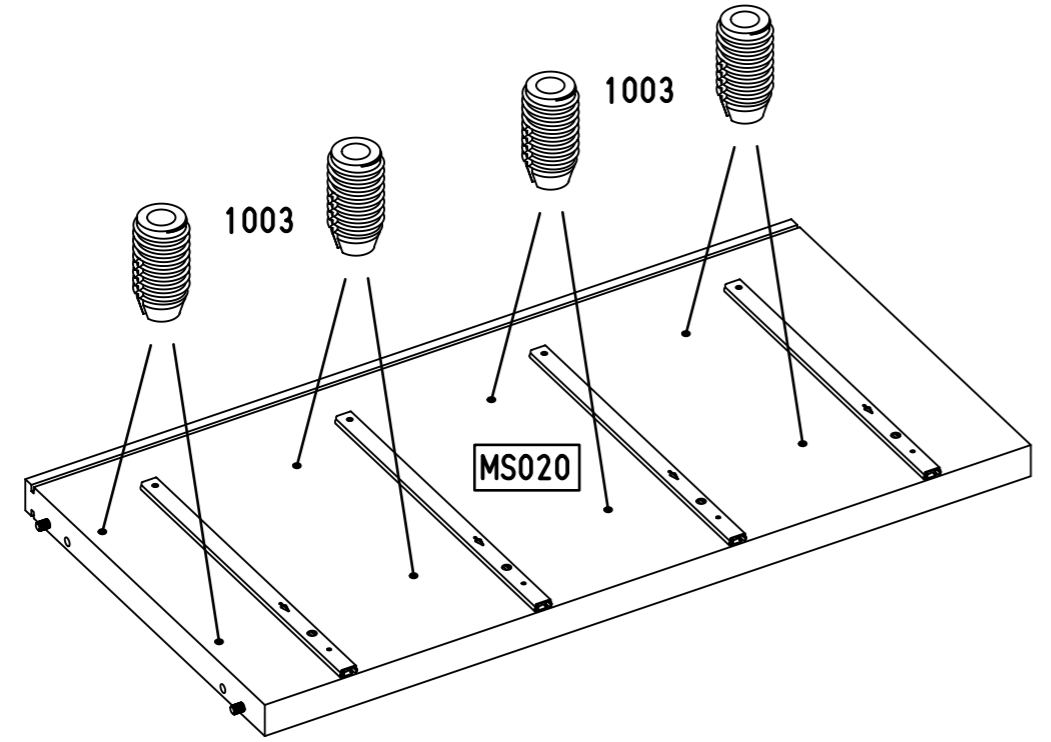
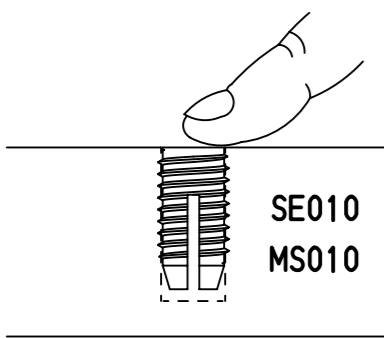
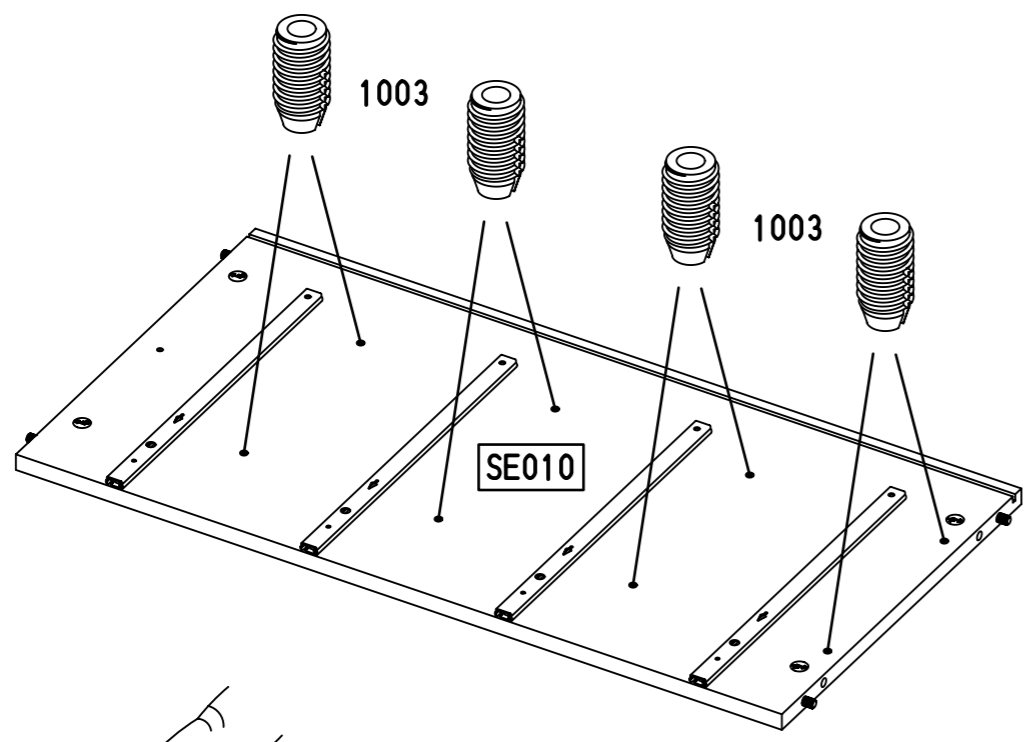


8

4x 1003

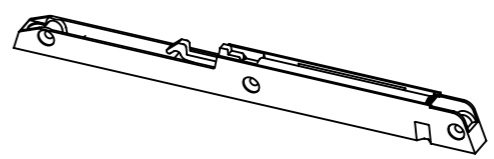


6x12

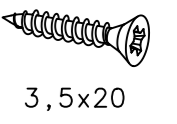


9

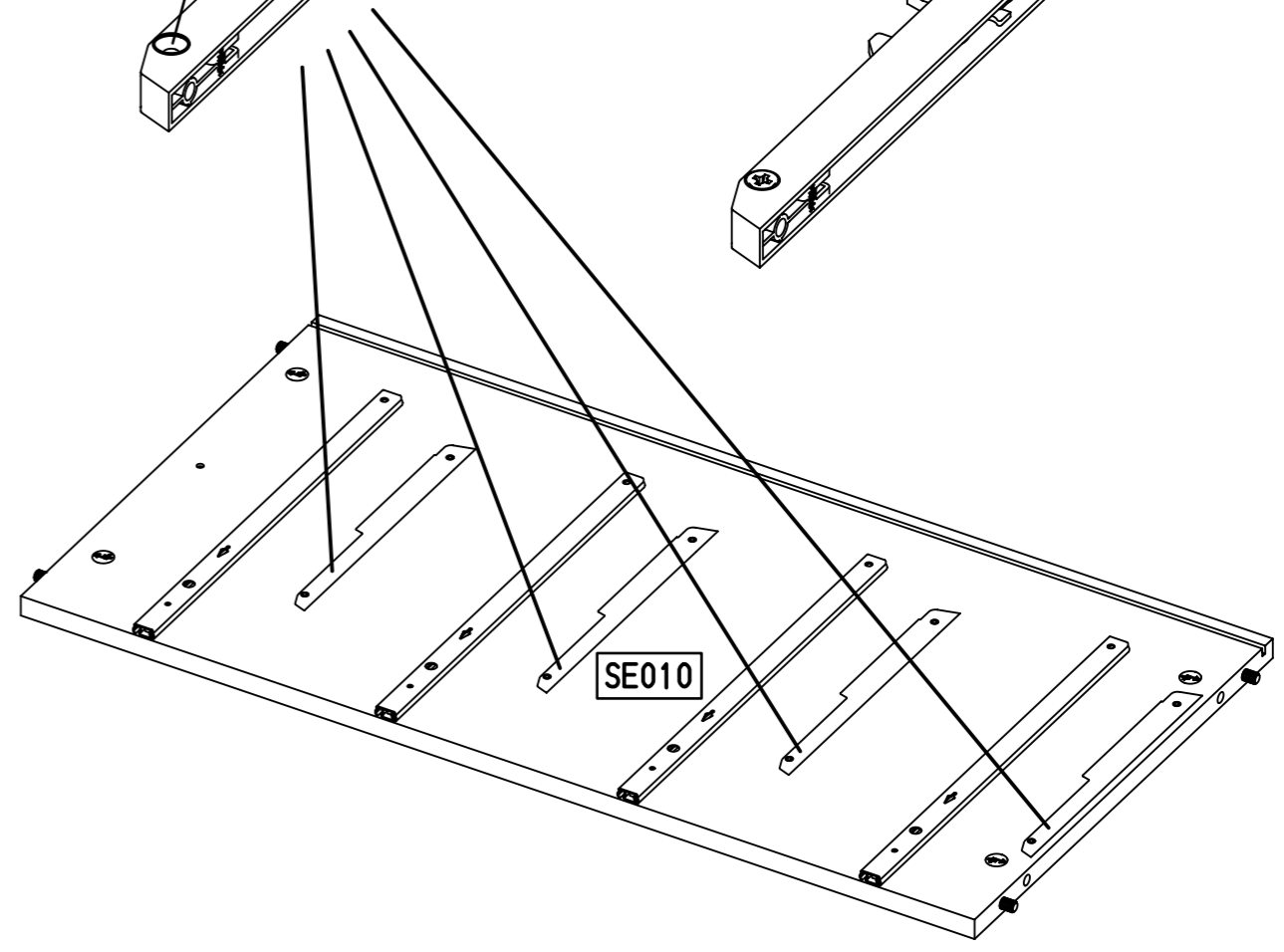
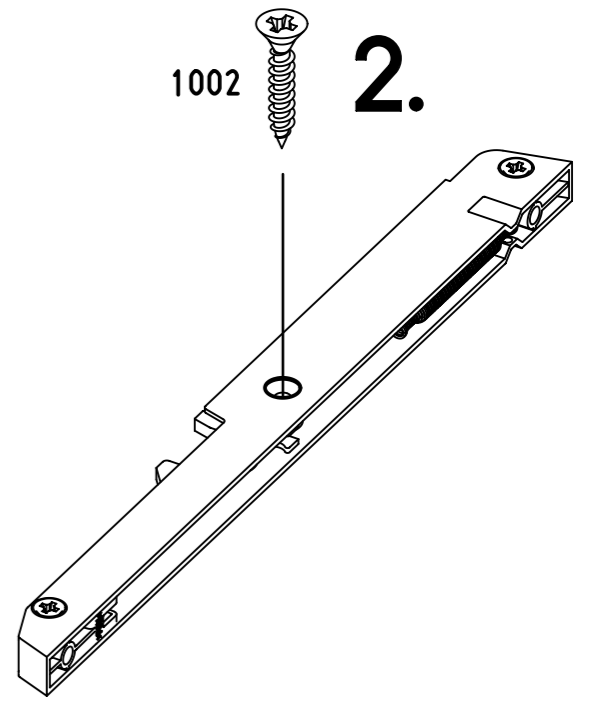
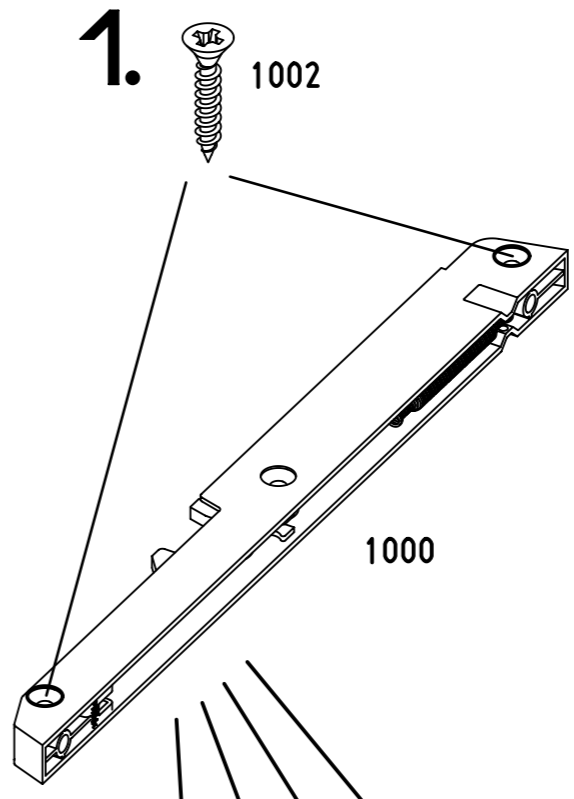
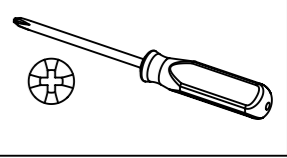
4x 1000



12x 1002

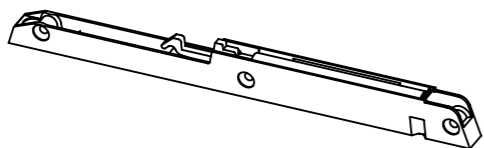


3,5x20

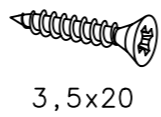


10

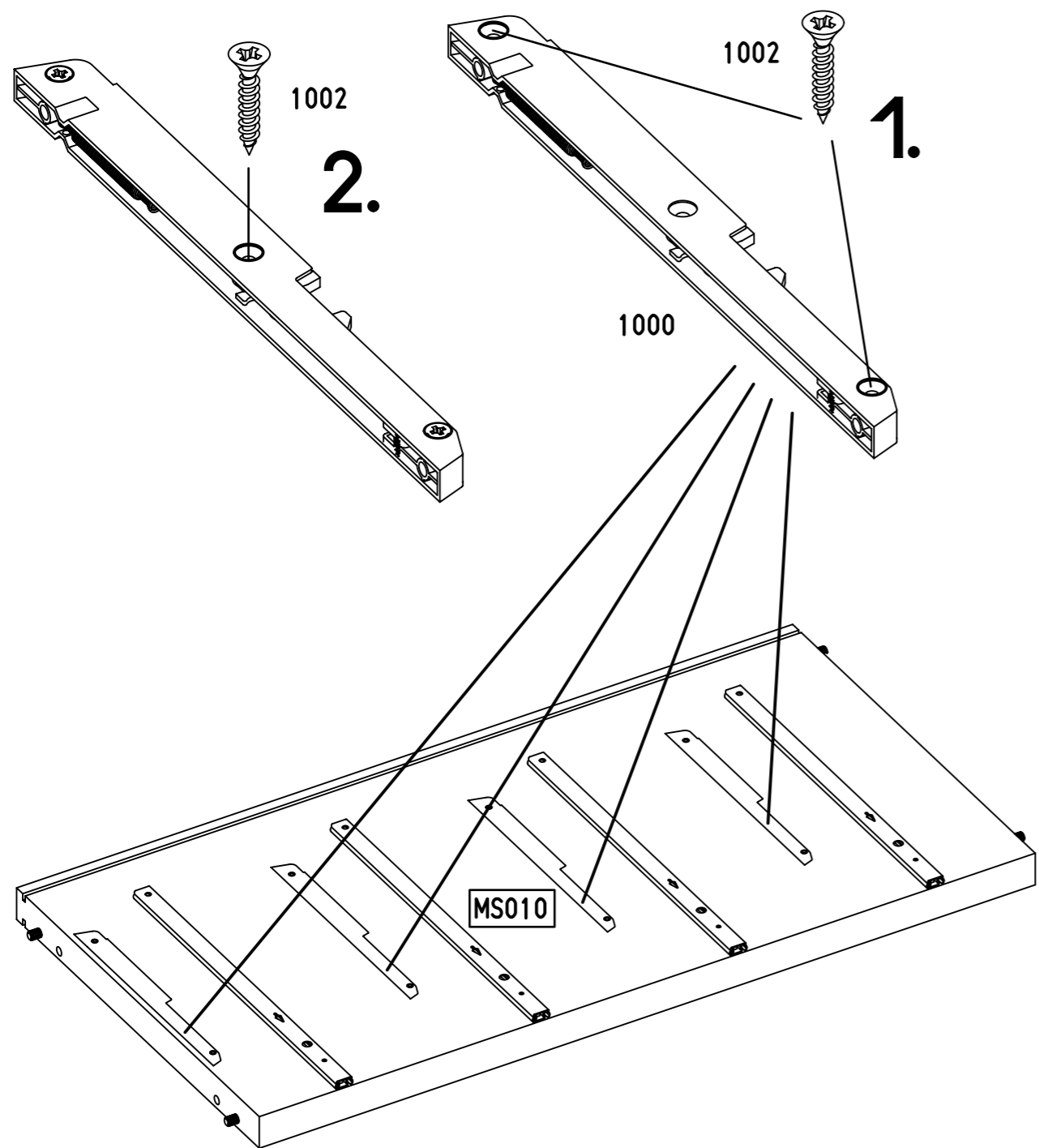
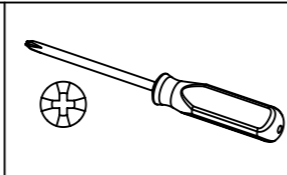
4x 1000



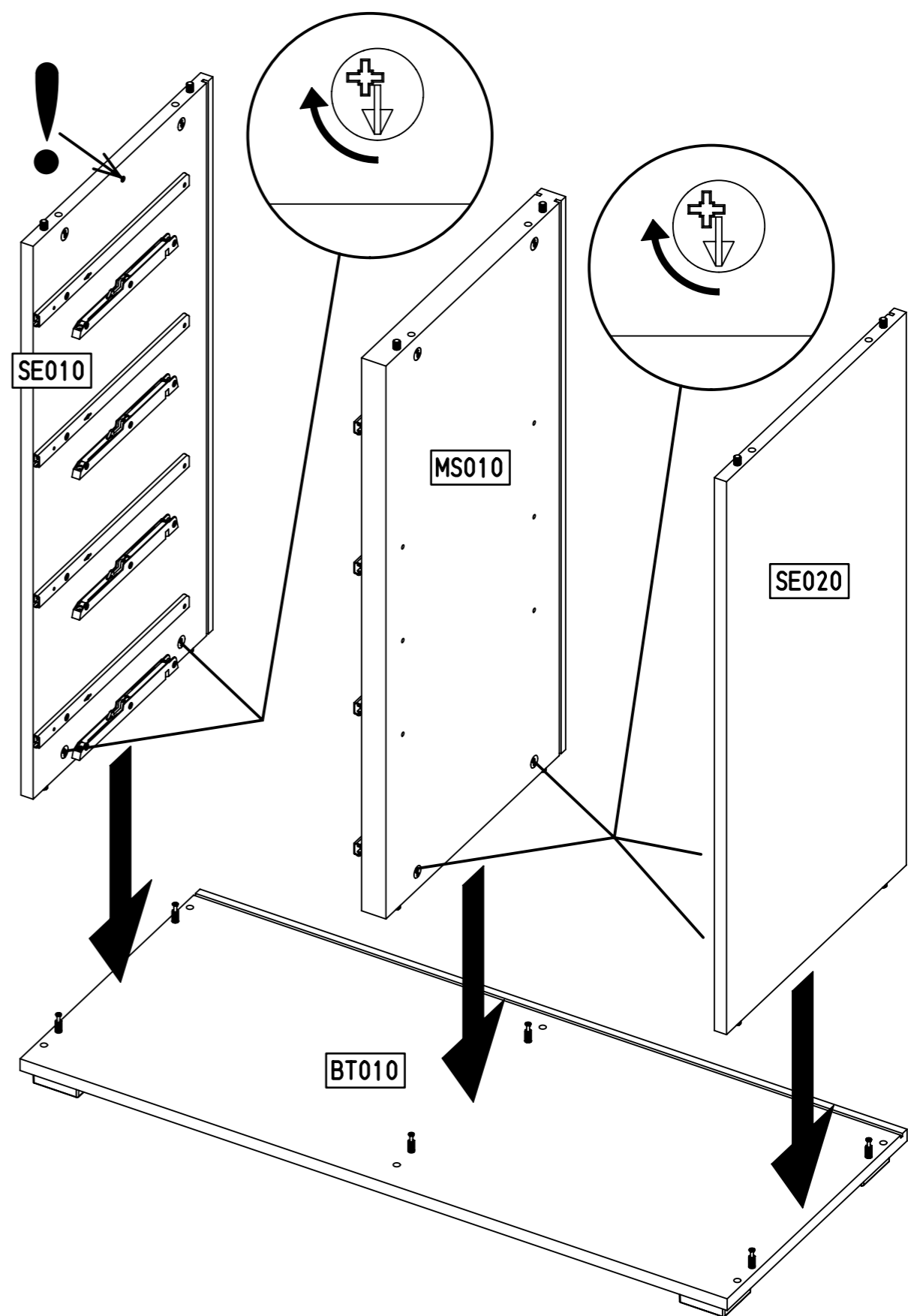
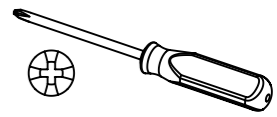
12x 1002



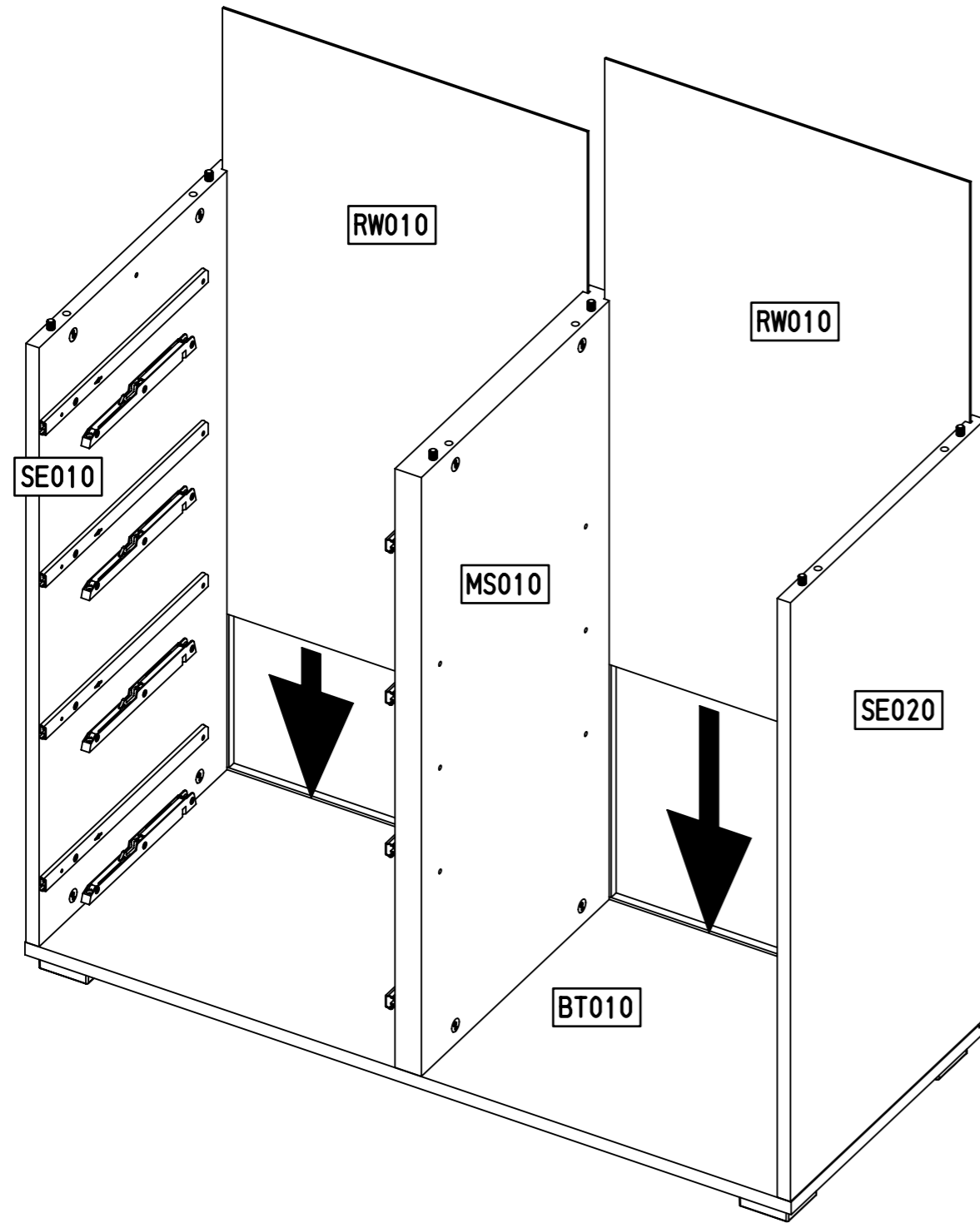
3,5x20



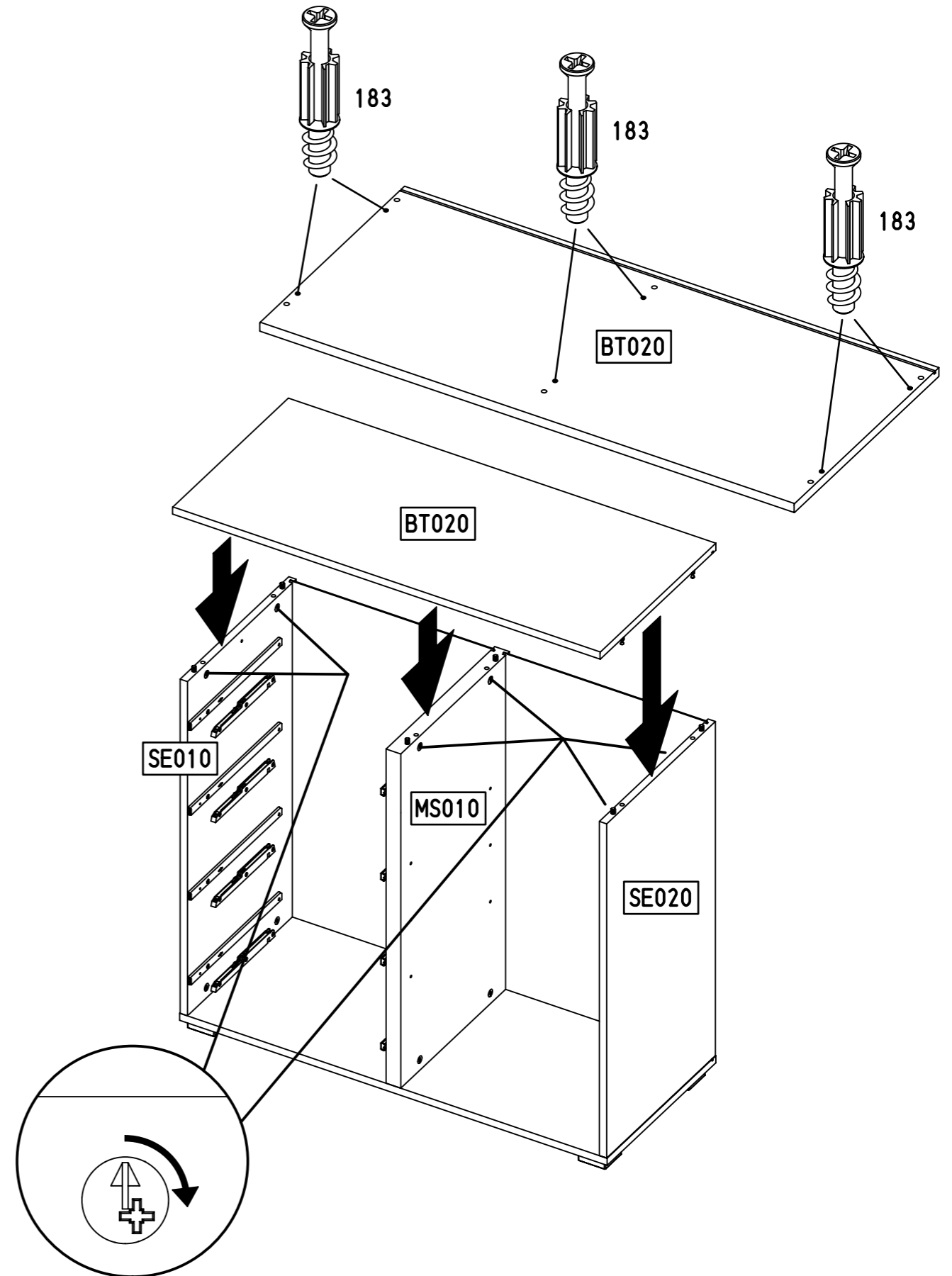
11



12

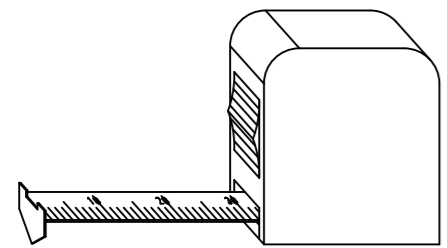
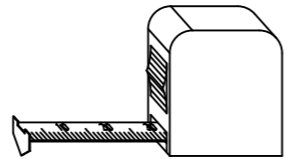
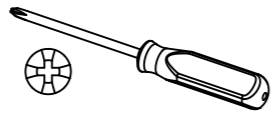
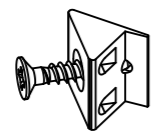


13

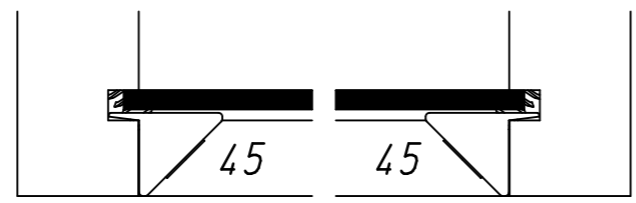
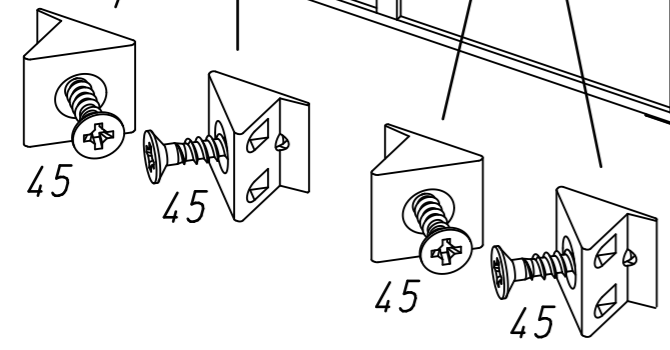
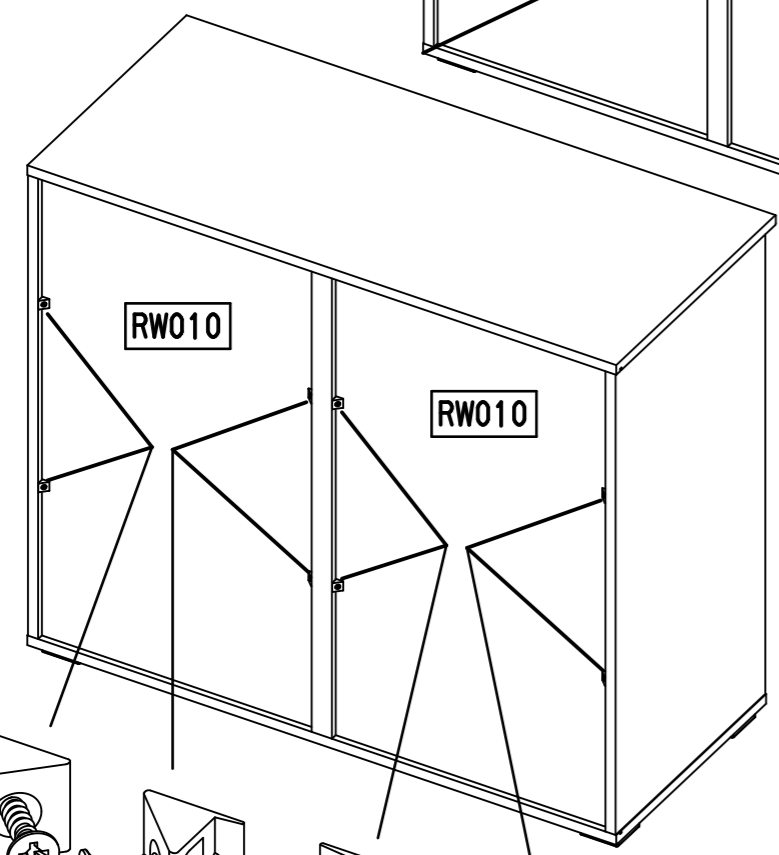
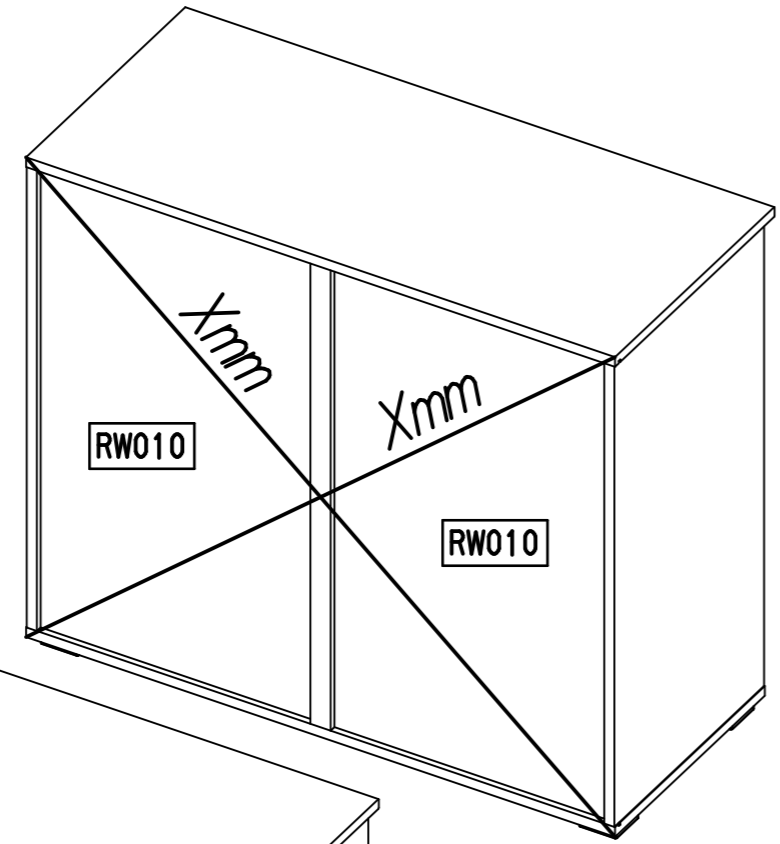


14

4x 45

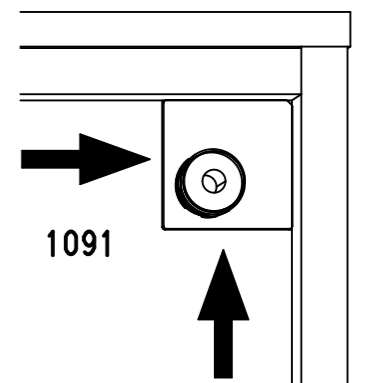
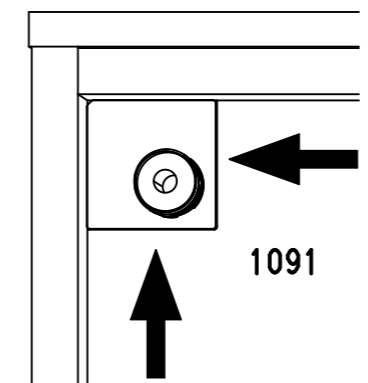
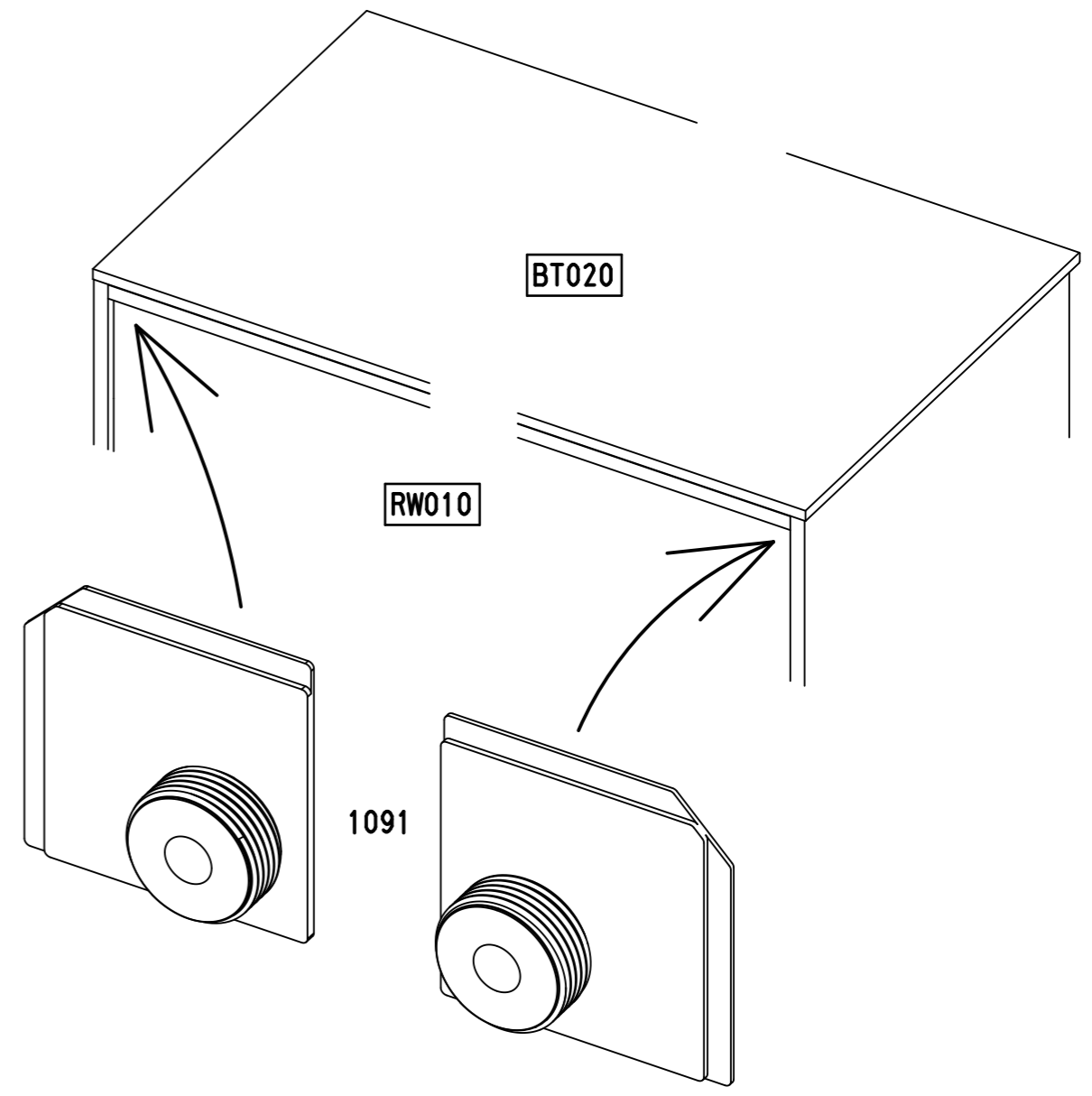
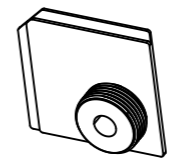


Xmm = Xmm



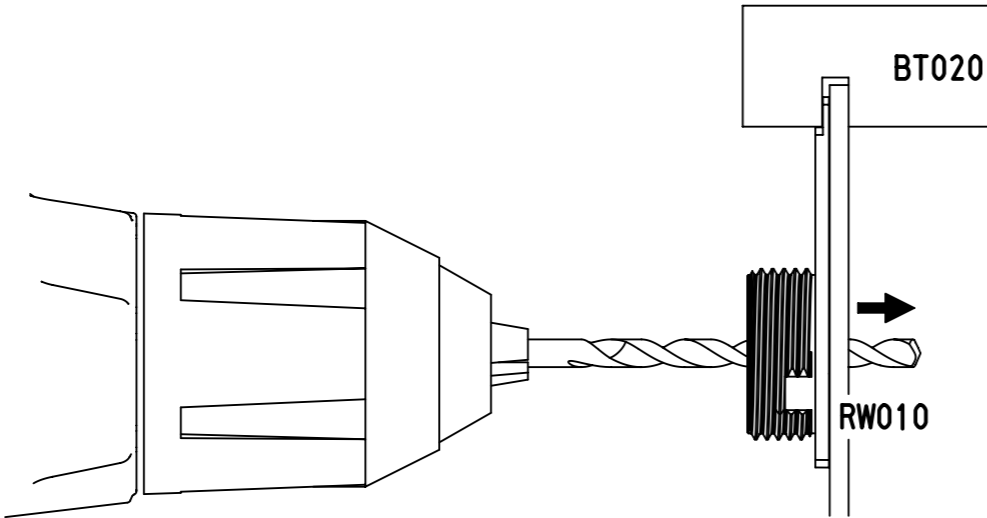
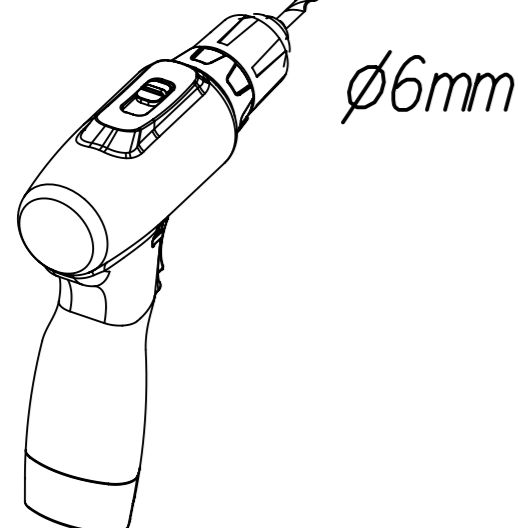
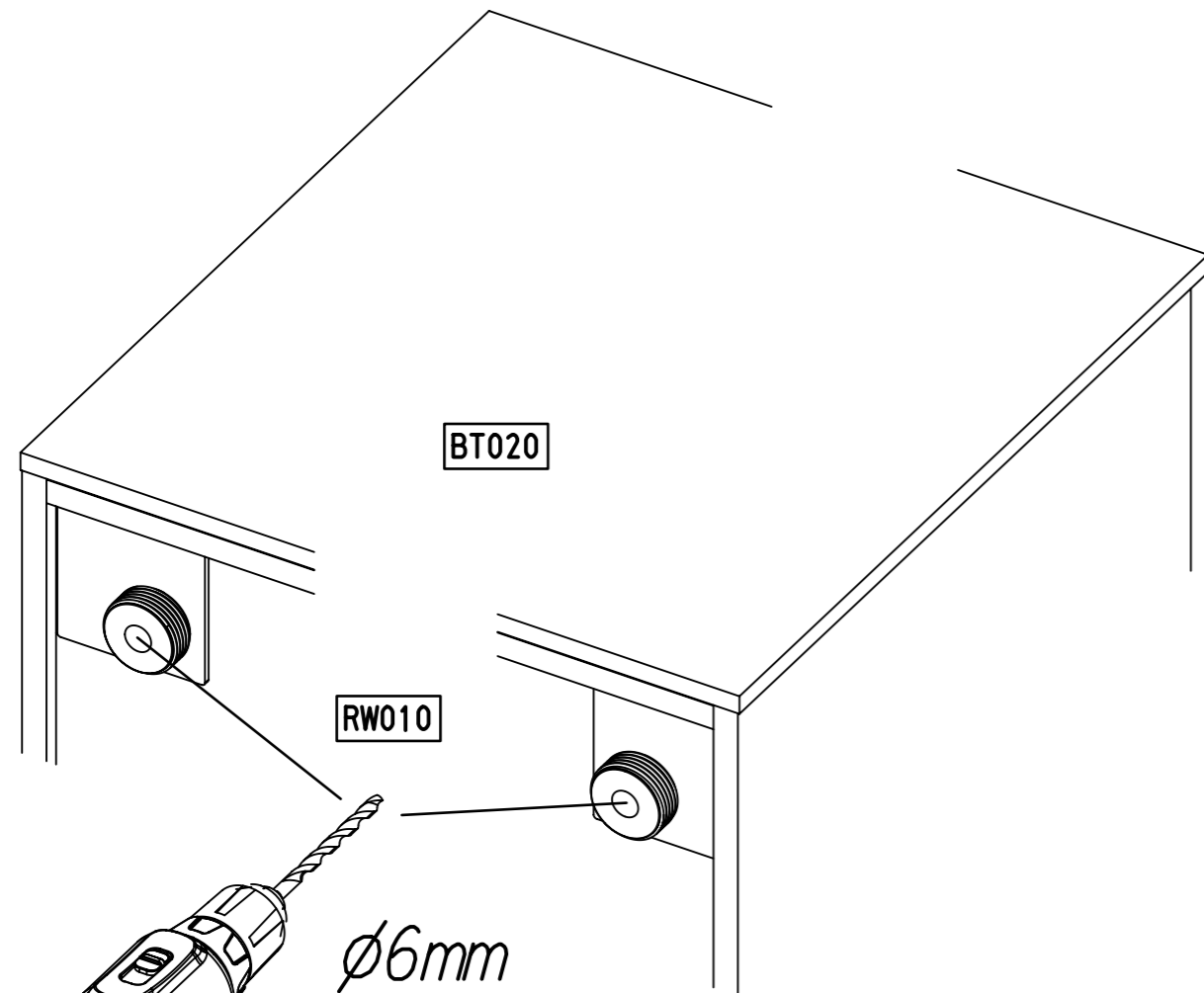
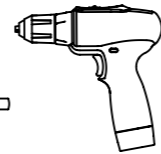
15

2x 1091

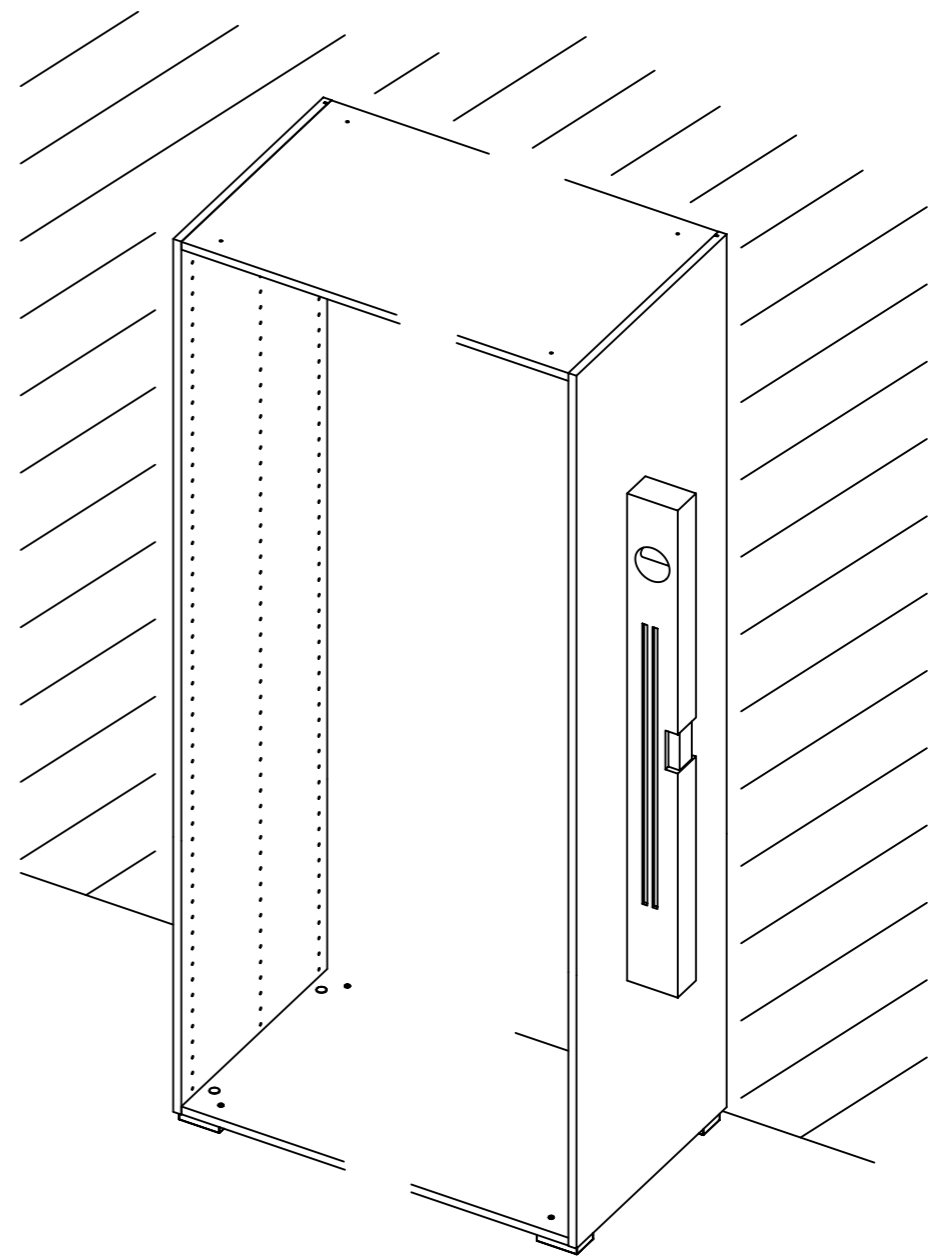
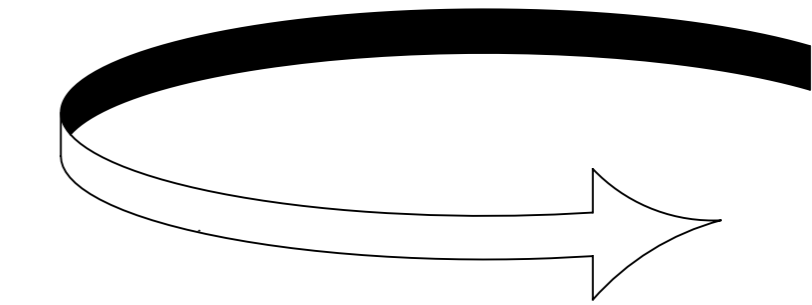
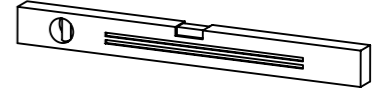


16

∅6mm

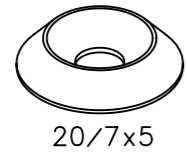


17



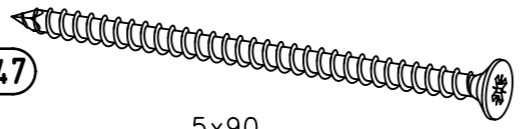
18

2x 1093

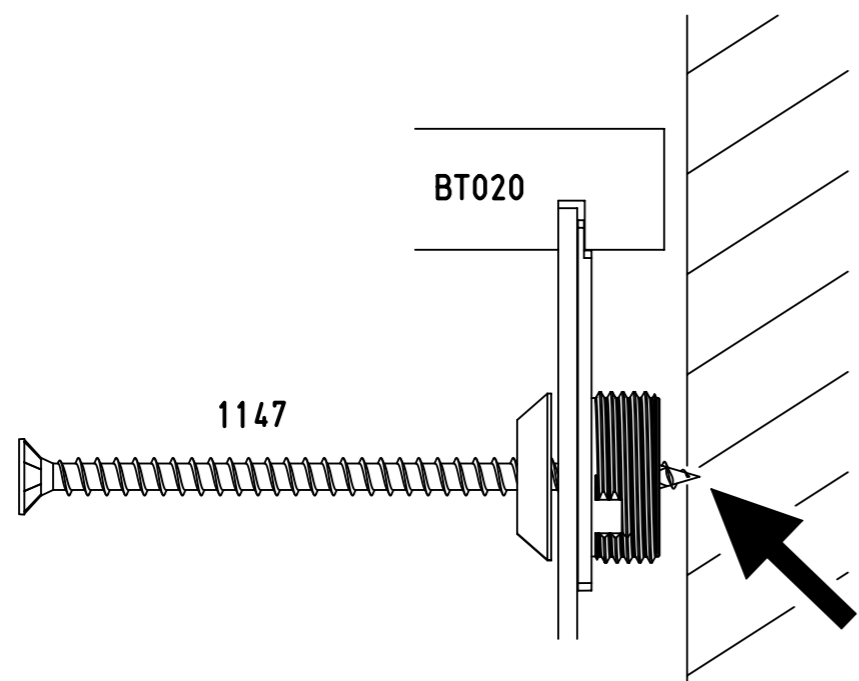
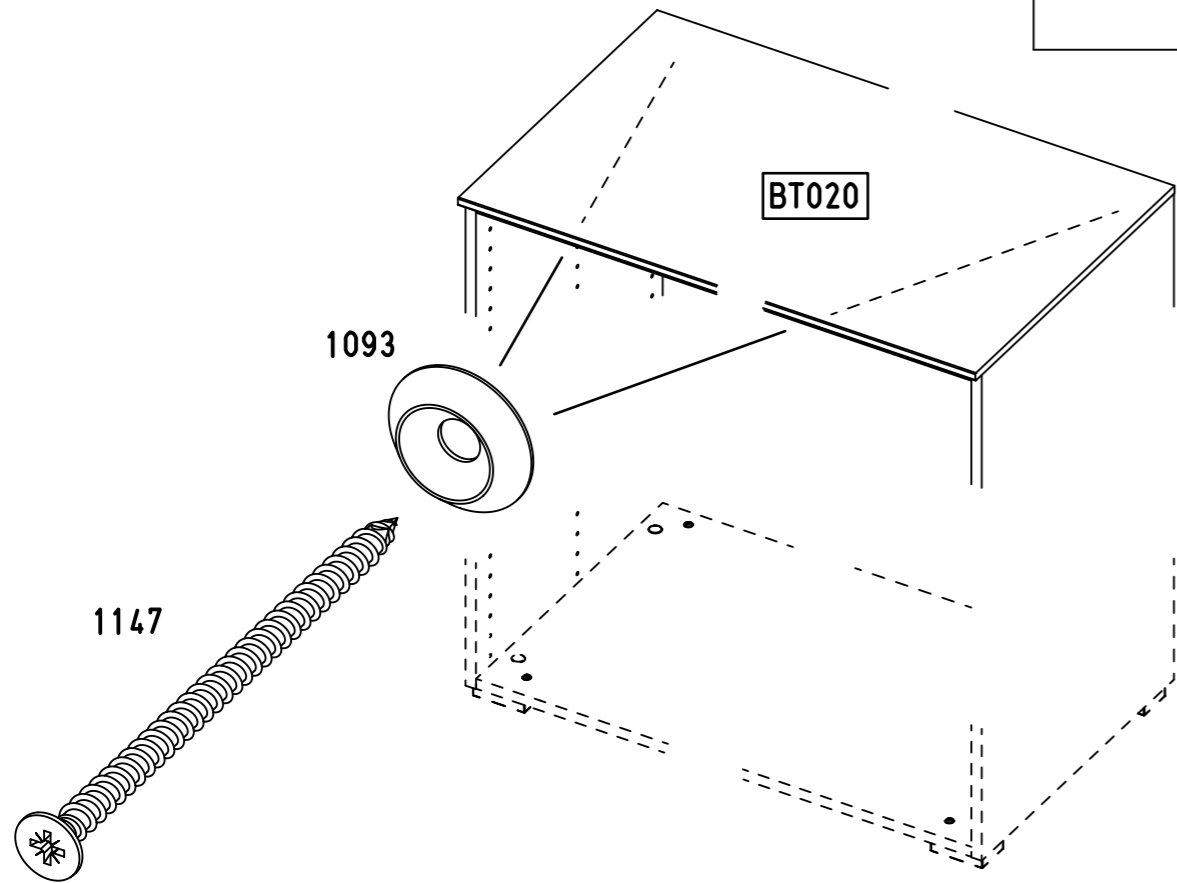
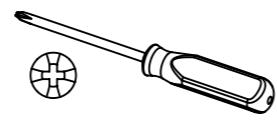


20/7x5

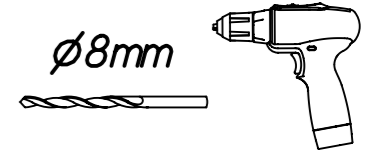
2x 1147



5x90

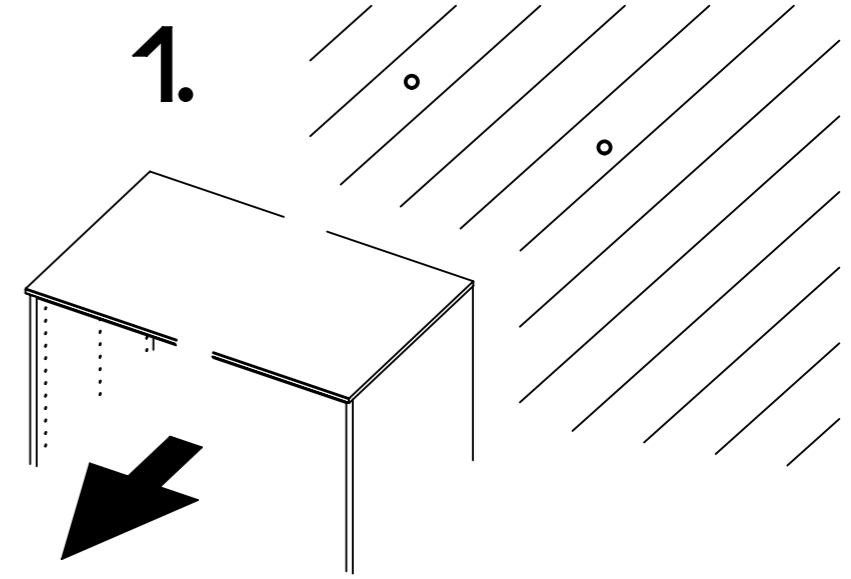


19

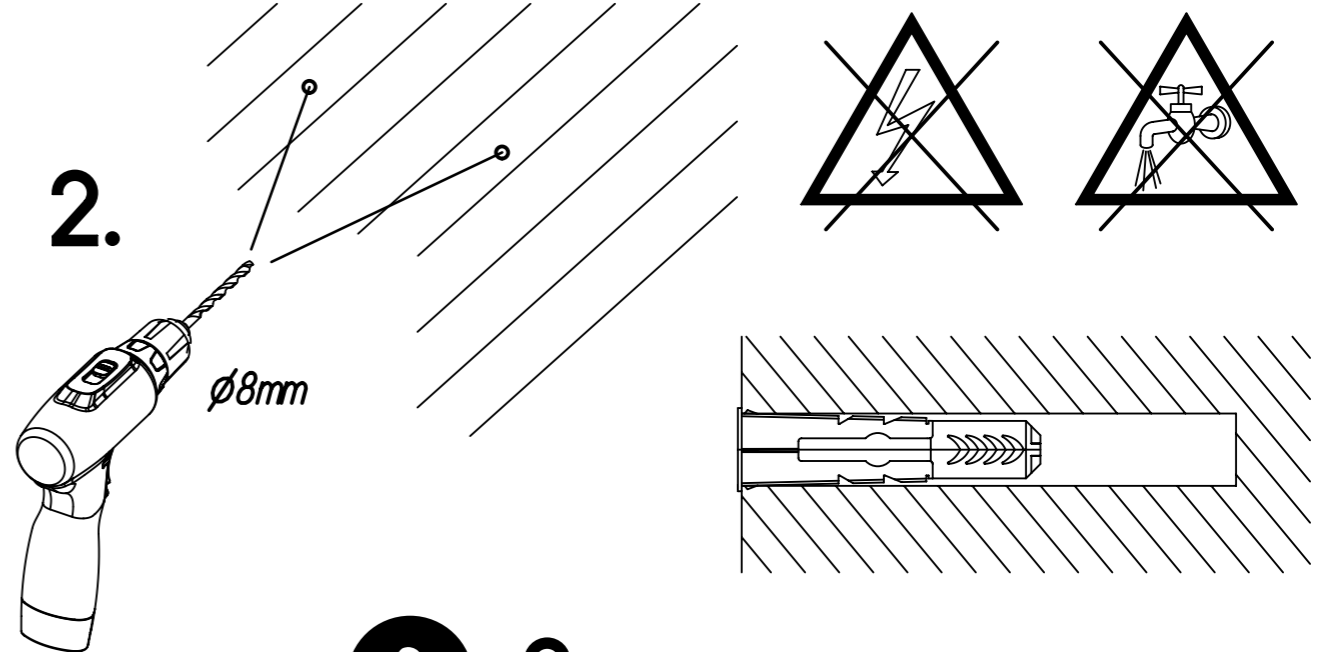


ø8mm

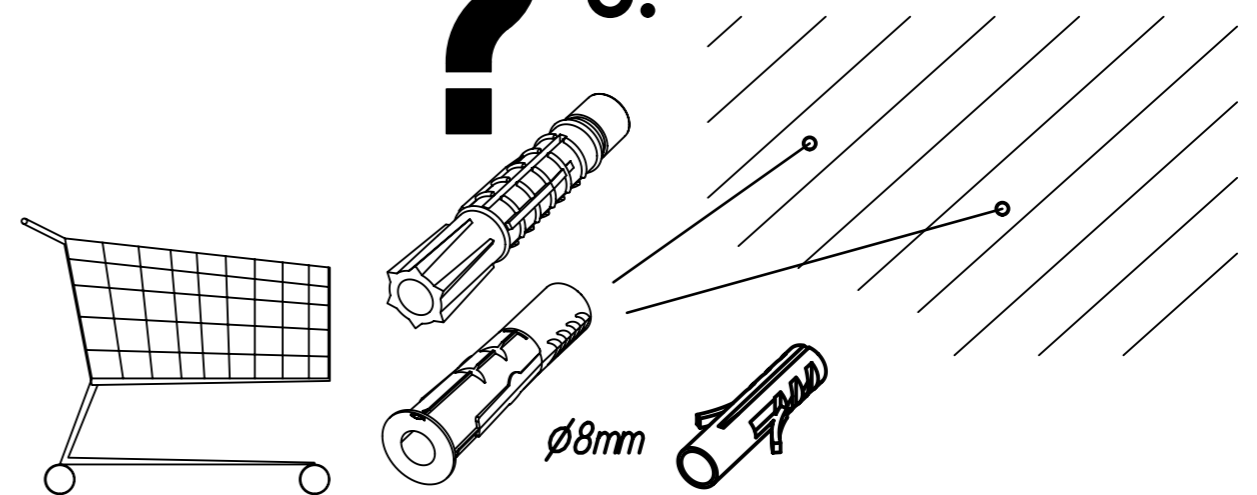
1.



2.

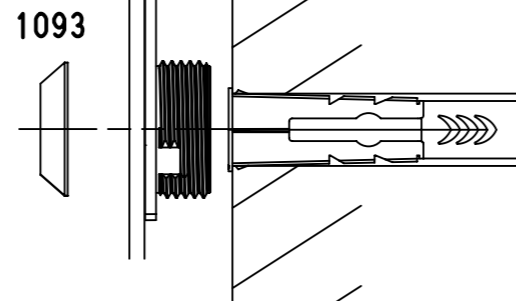
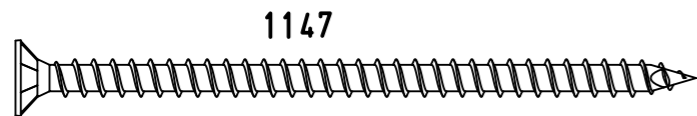
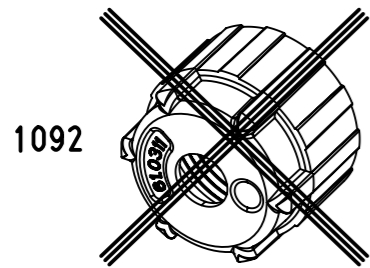
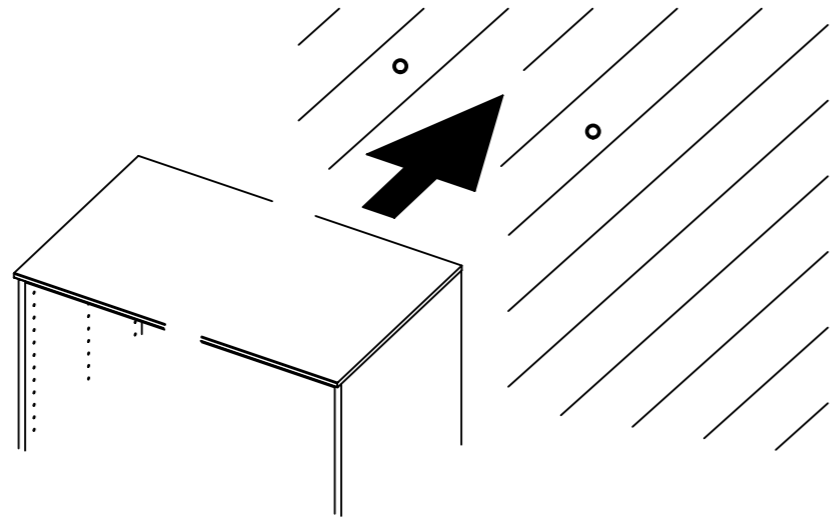
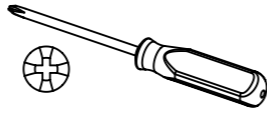
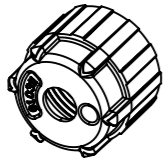


? 3.

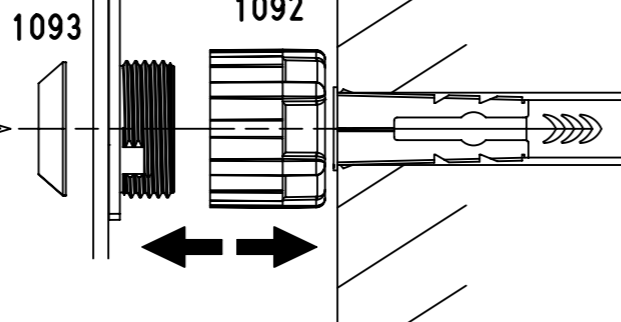
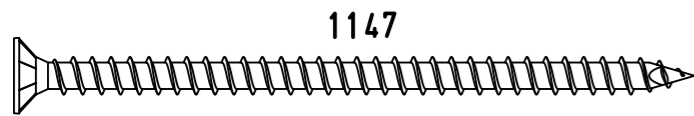


20

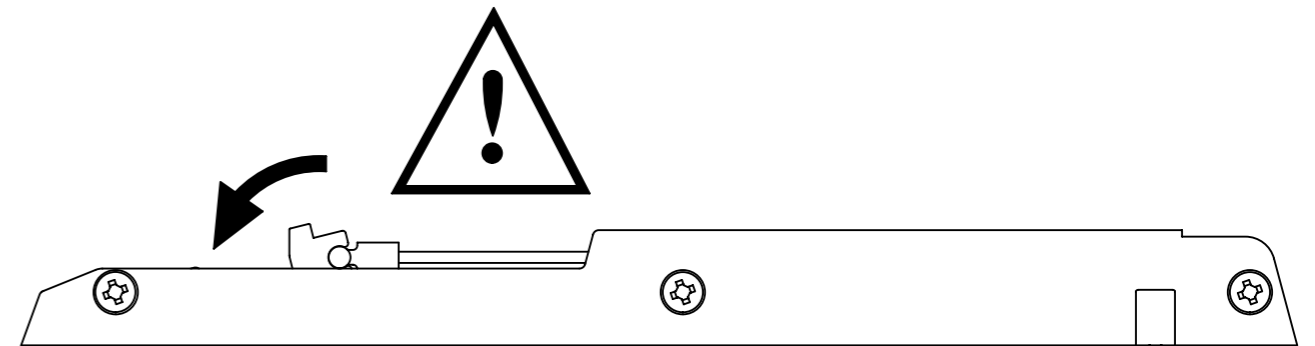
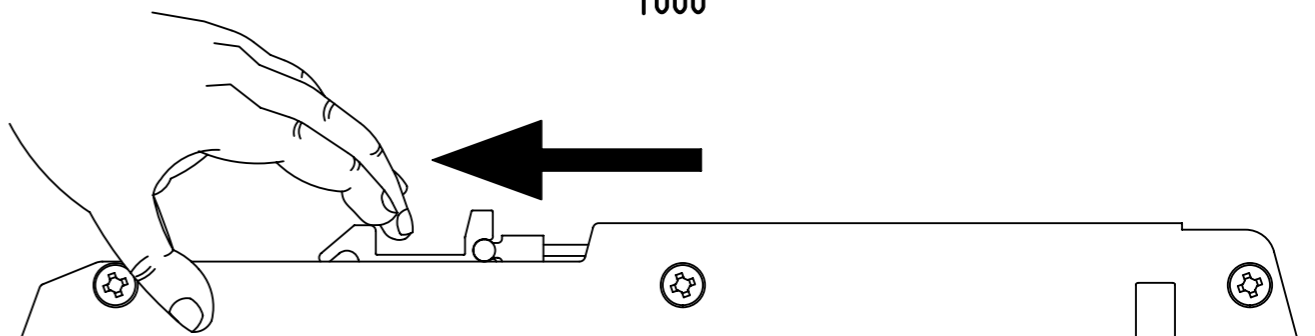
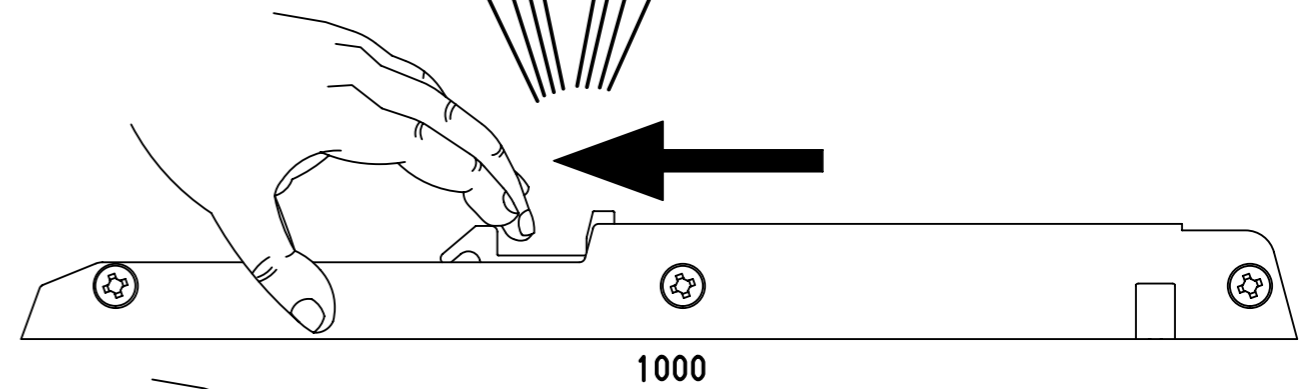
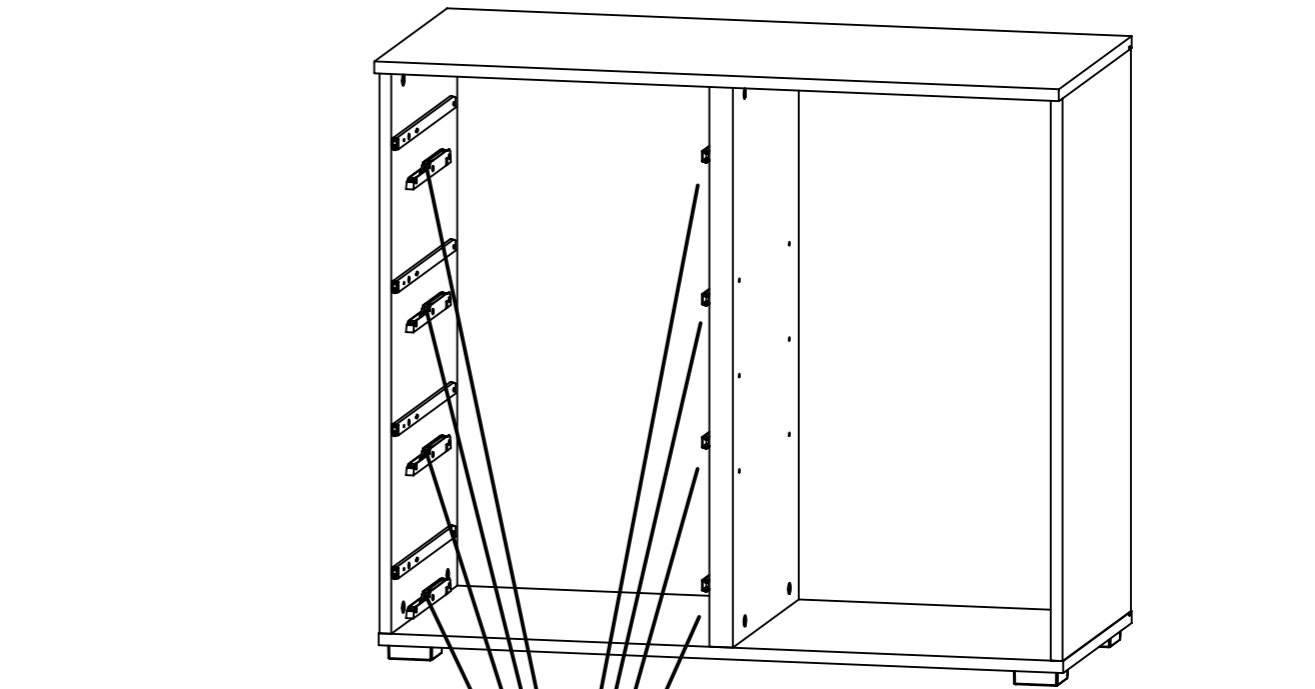
2x 1092



10-15mm



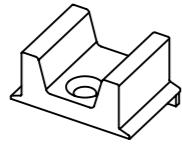
21



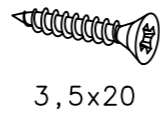
25.

22

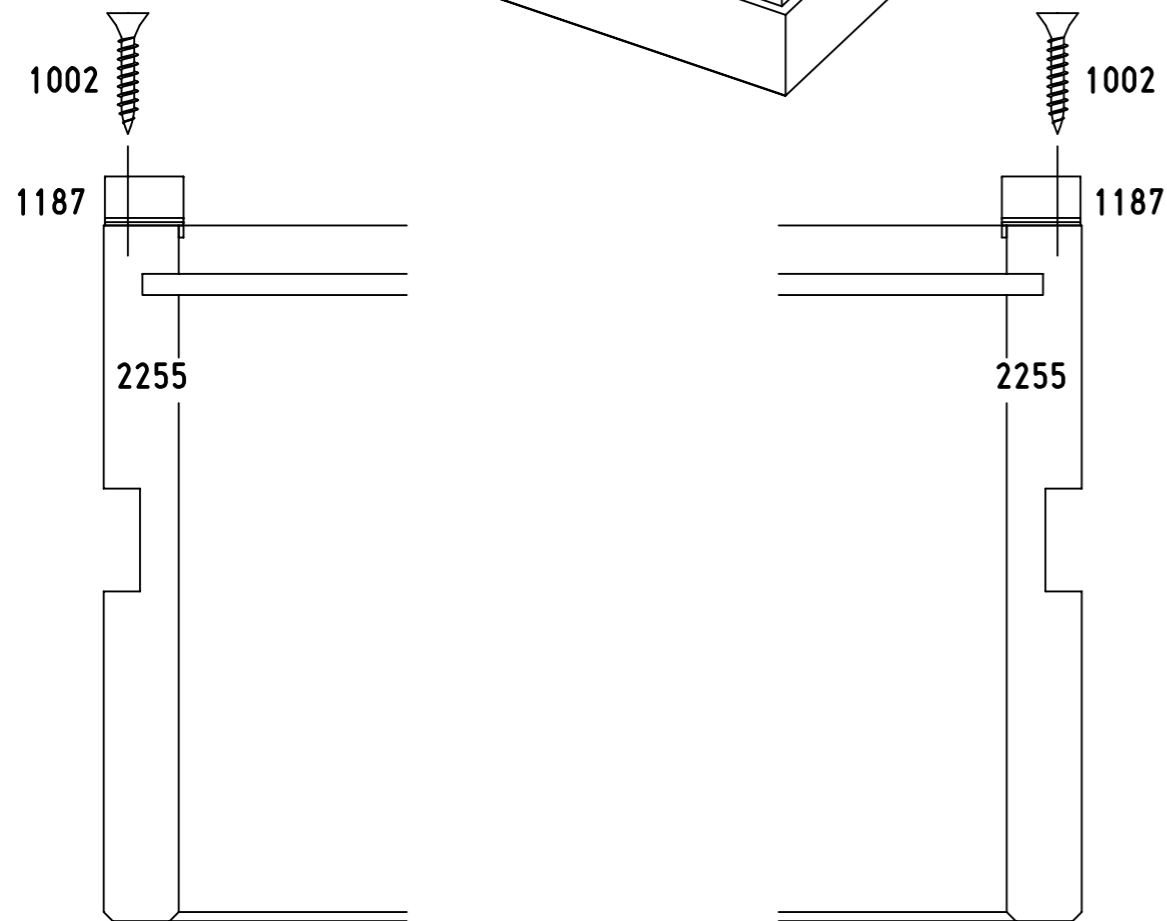
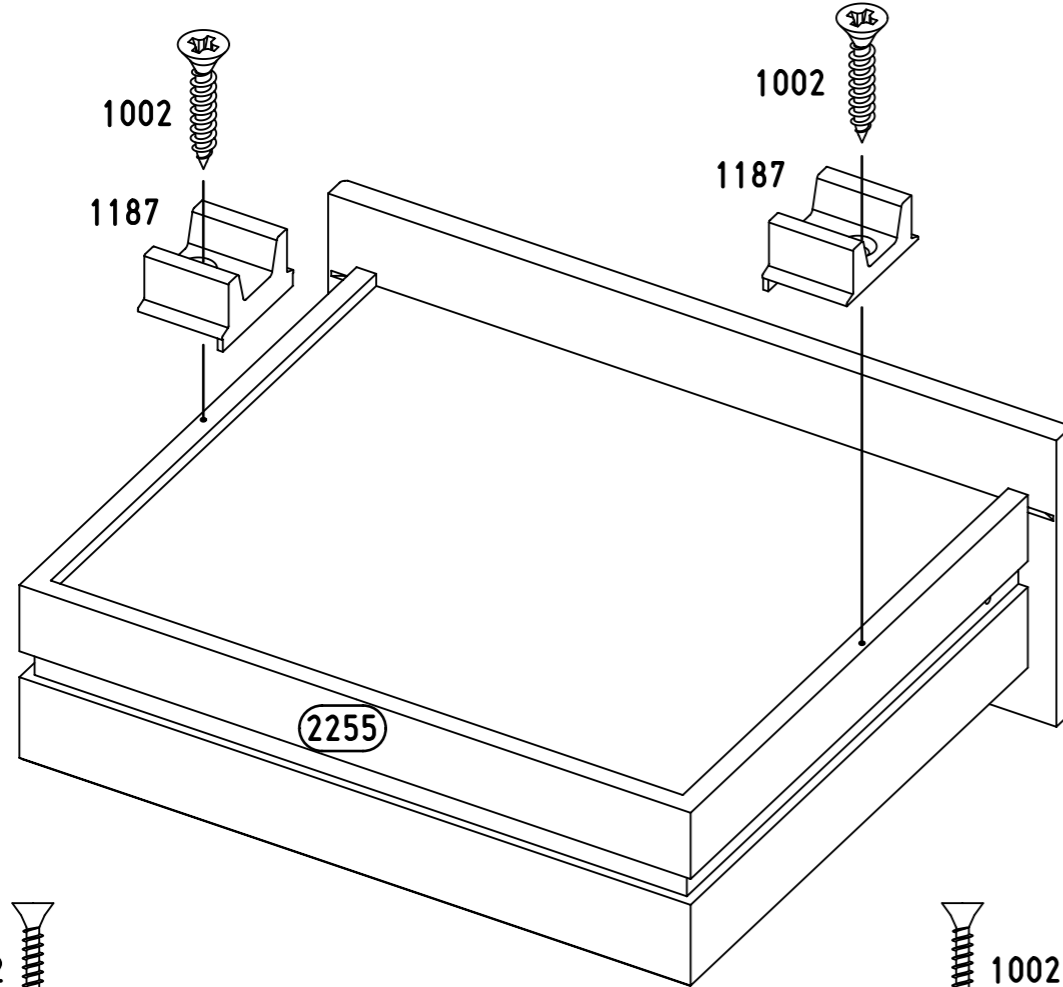
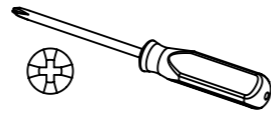
8x 1187



8x 1002



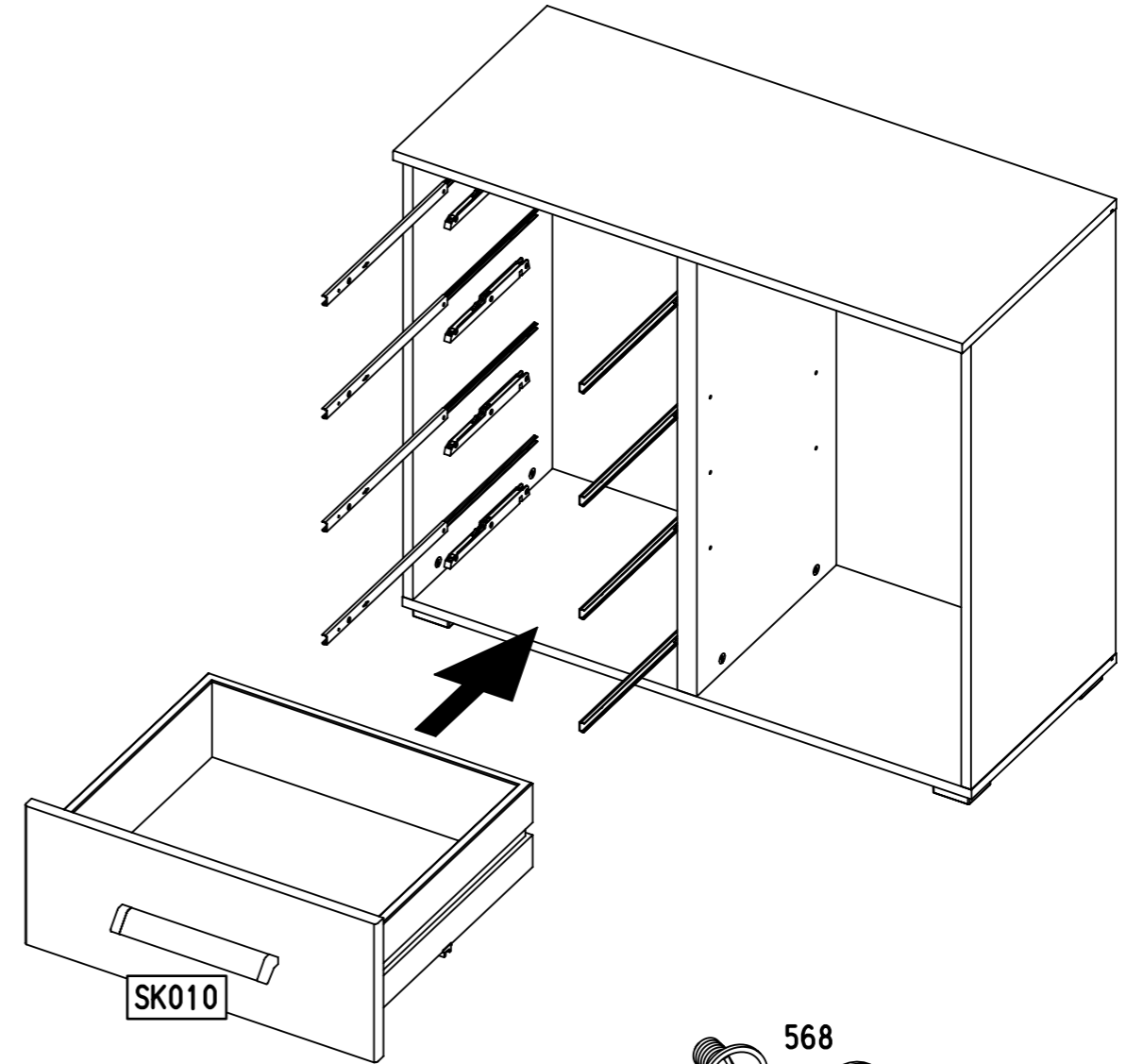
3,5x20



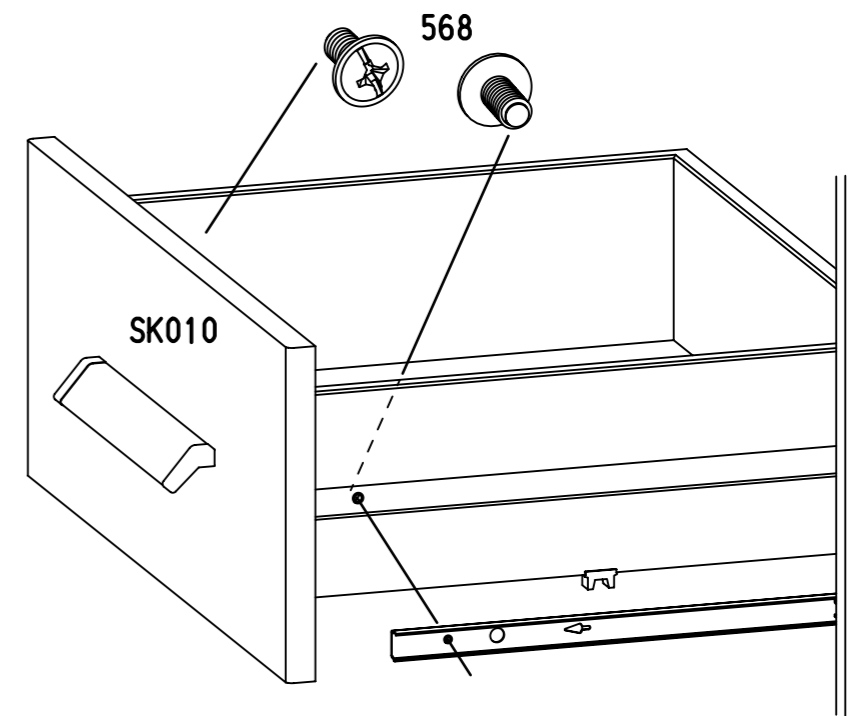
M2145

26.

23



SK010



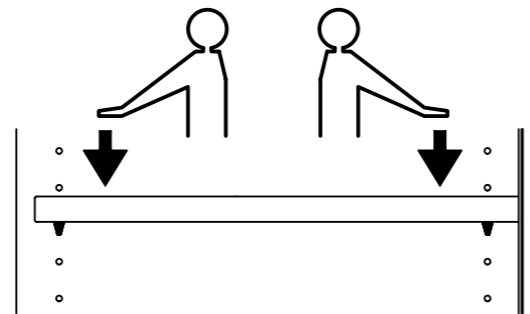
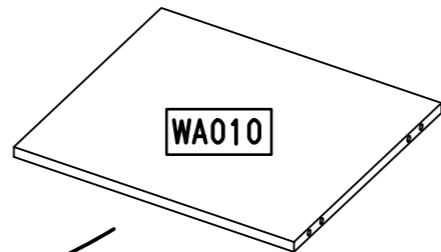
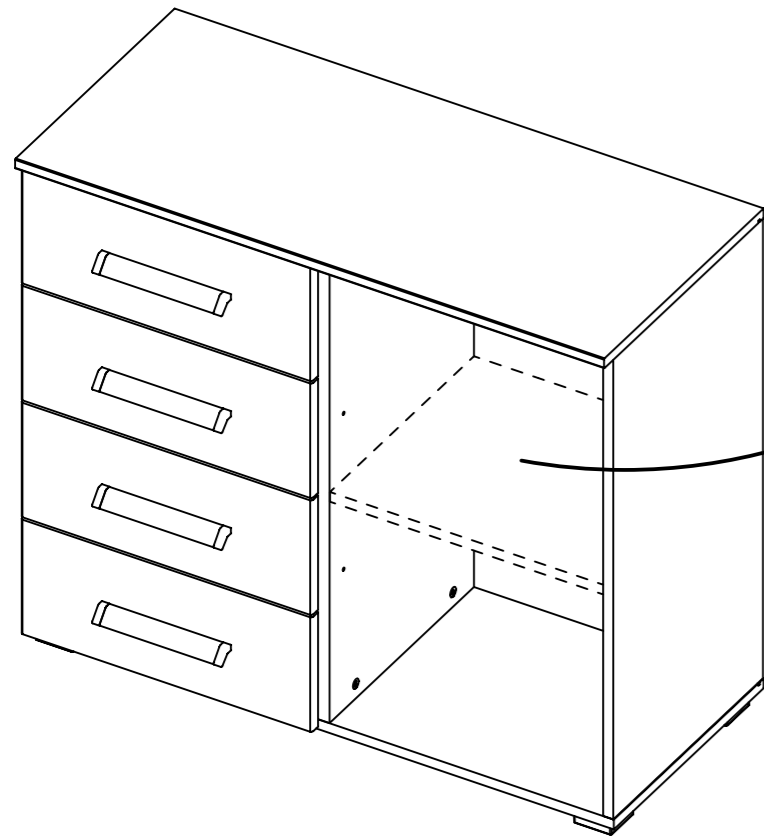
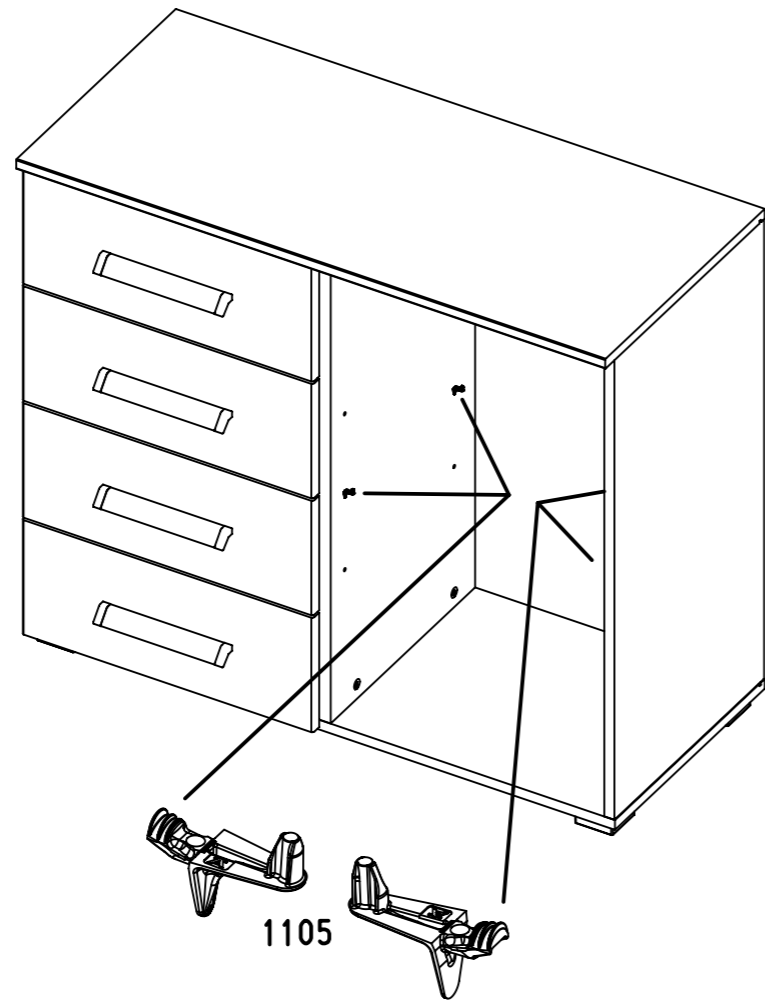
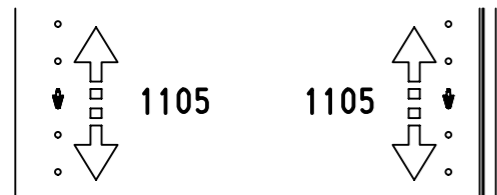
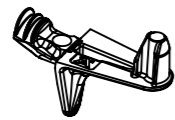
568

SK010

M2145

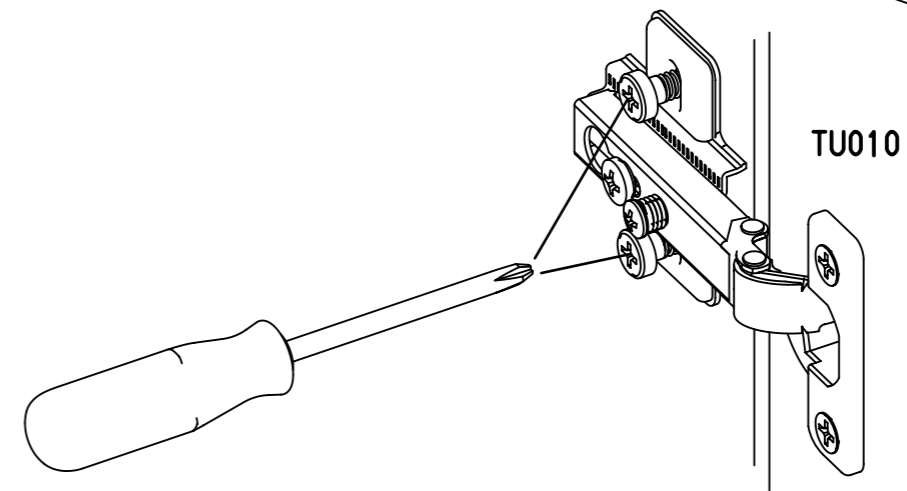
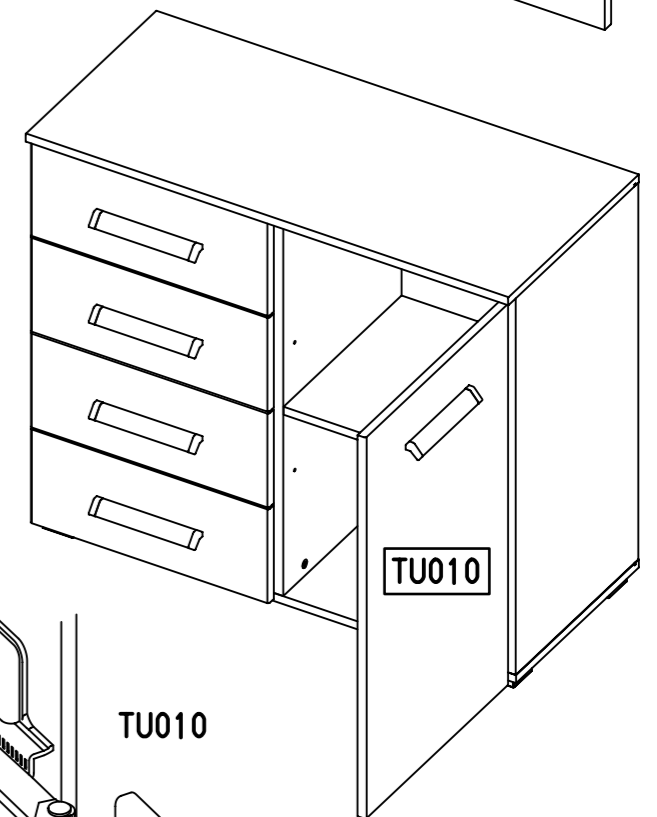
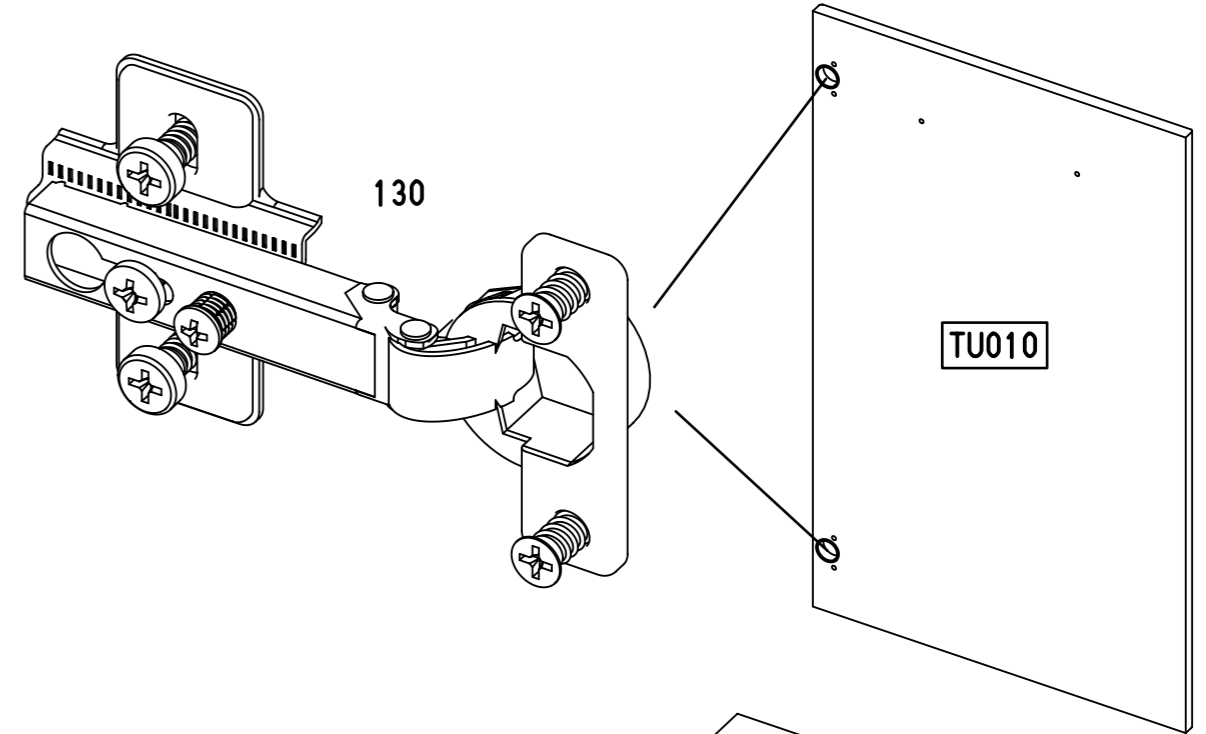
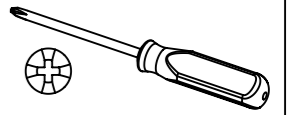
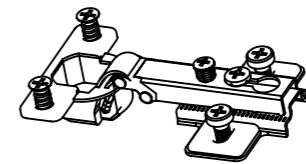
24

4x 1105



25

2x 130



26

