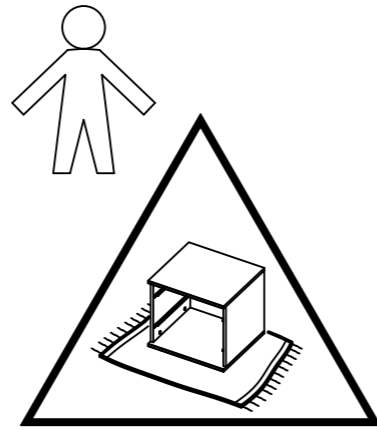
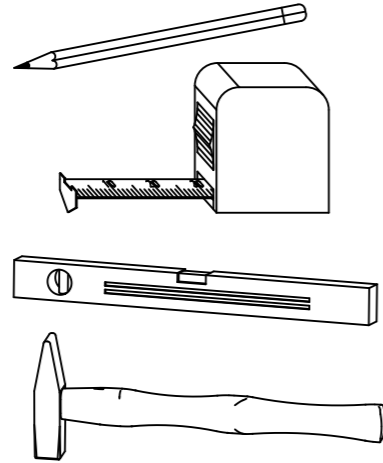
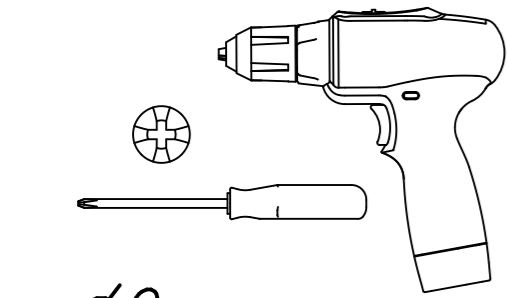


1.

M2142_06



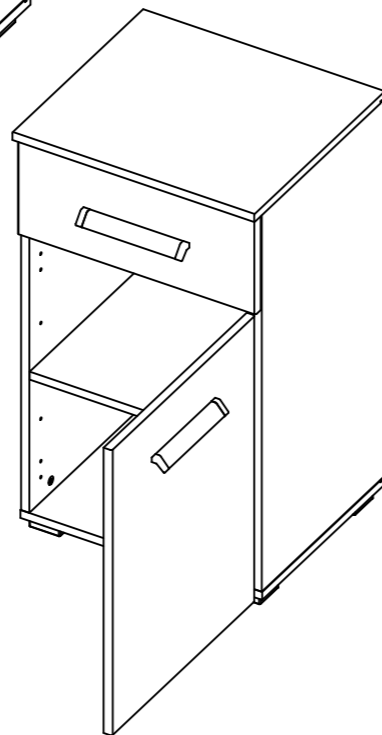
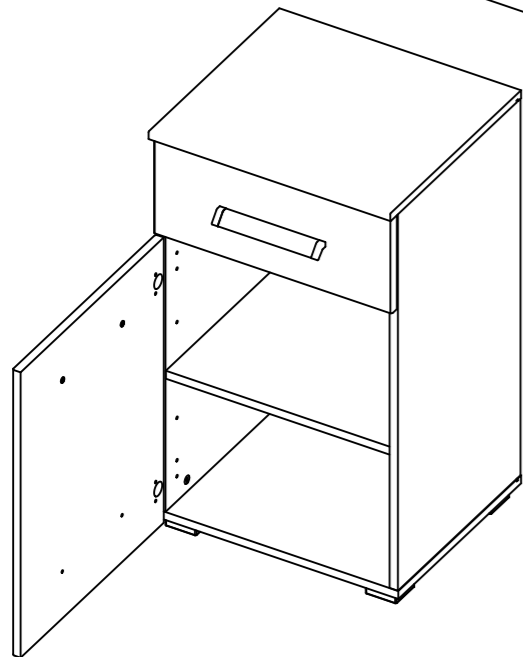
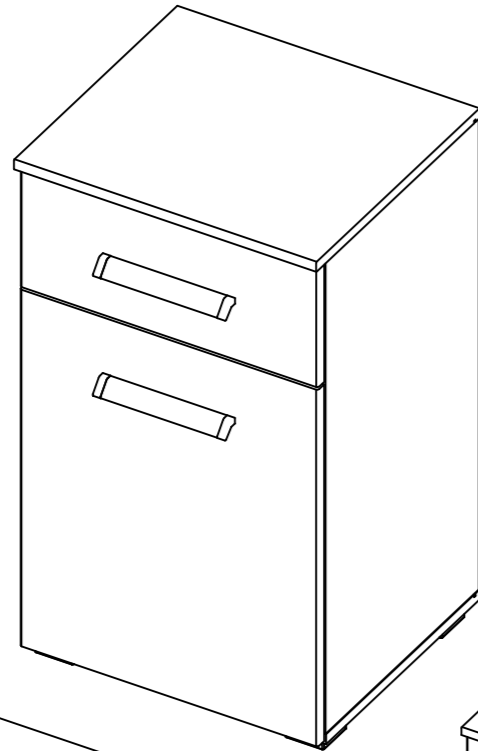
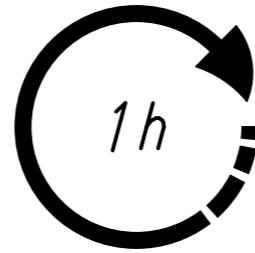
∅8mm



∅6mm

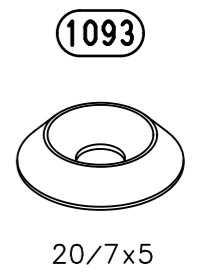
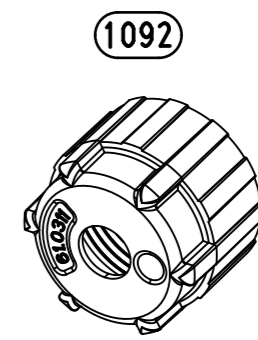
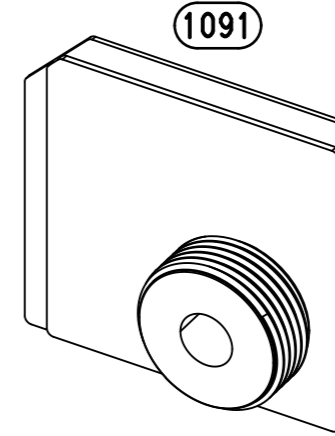
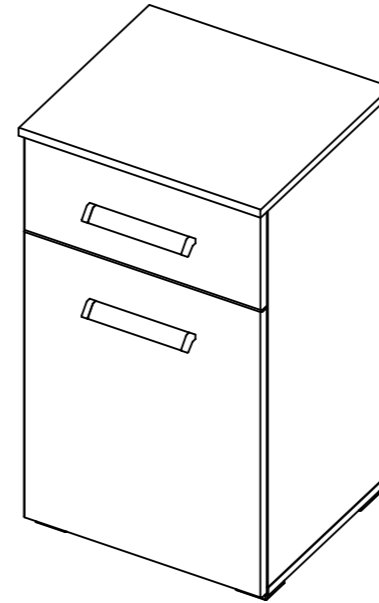


∅5mm

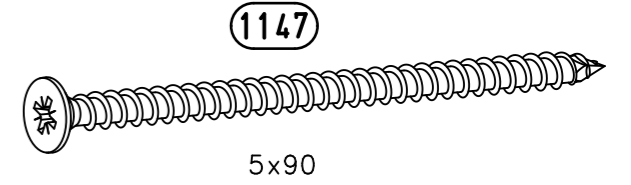


2.

2x

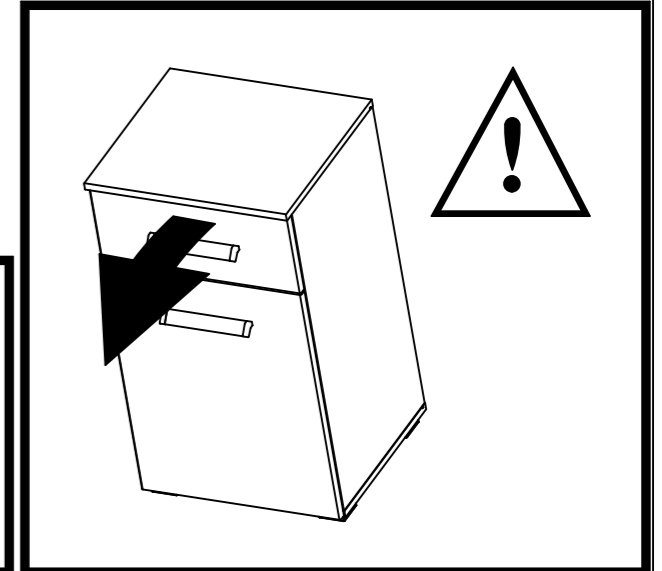
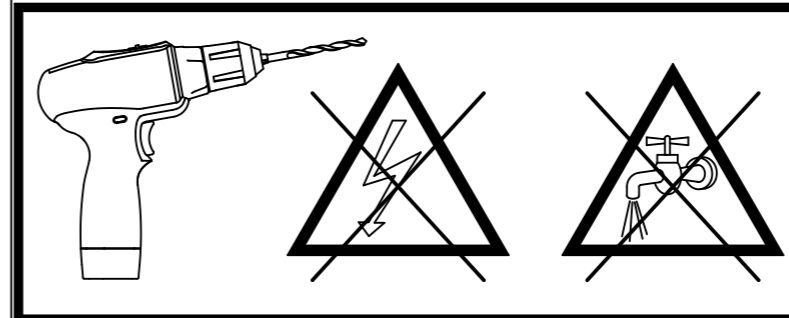


20/7x5

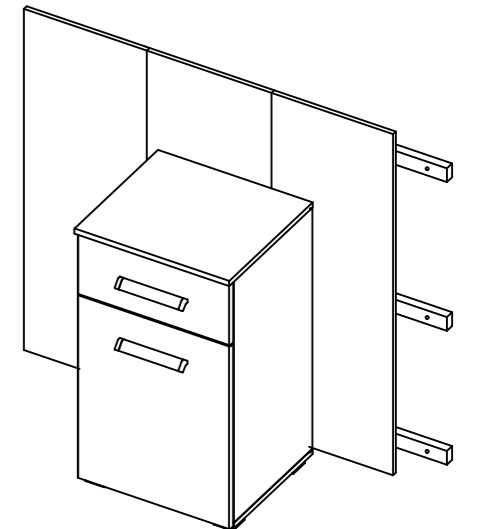
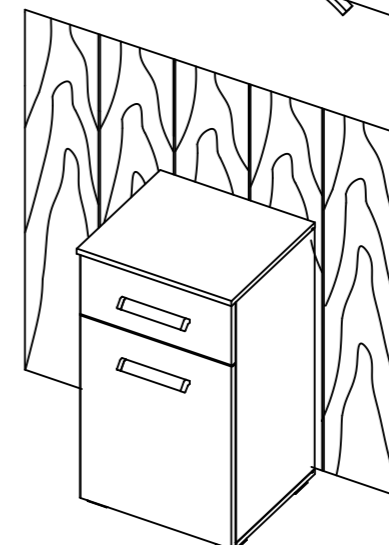
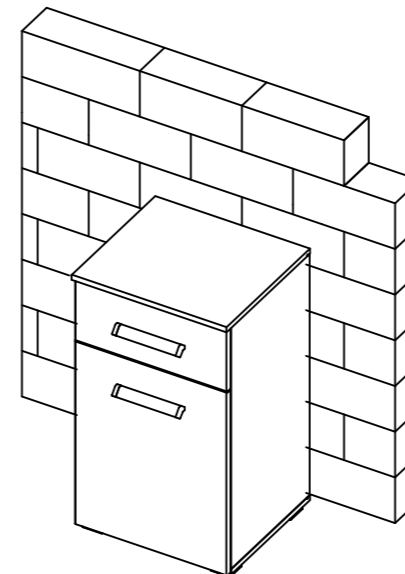
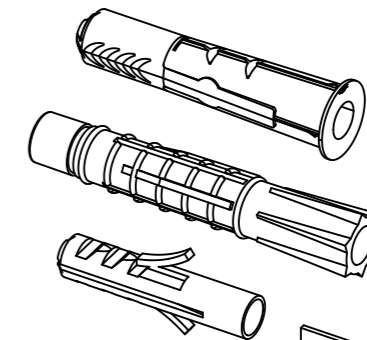


1147

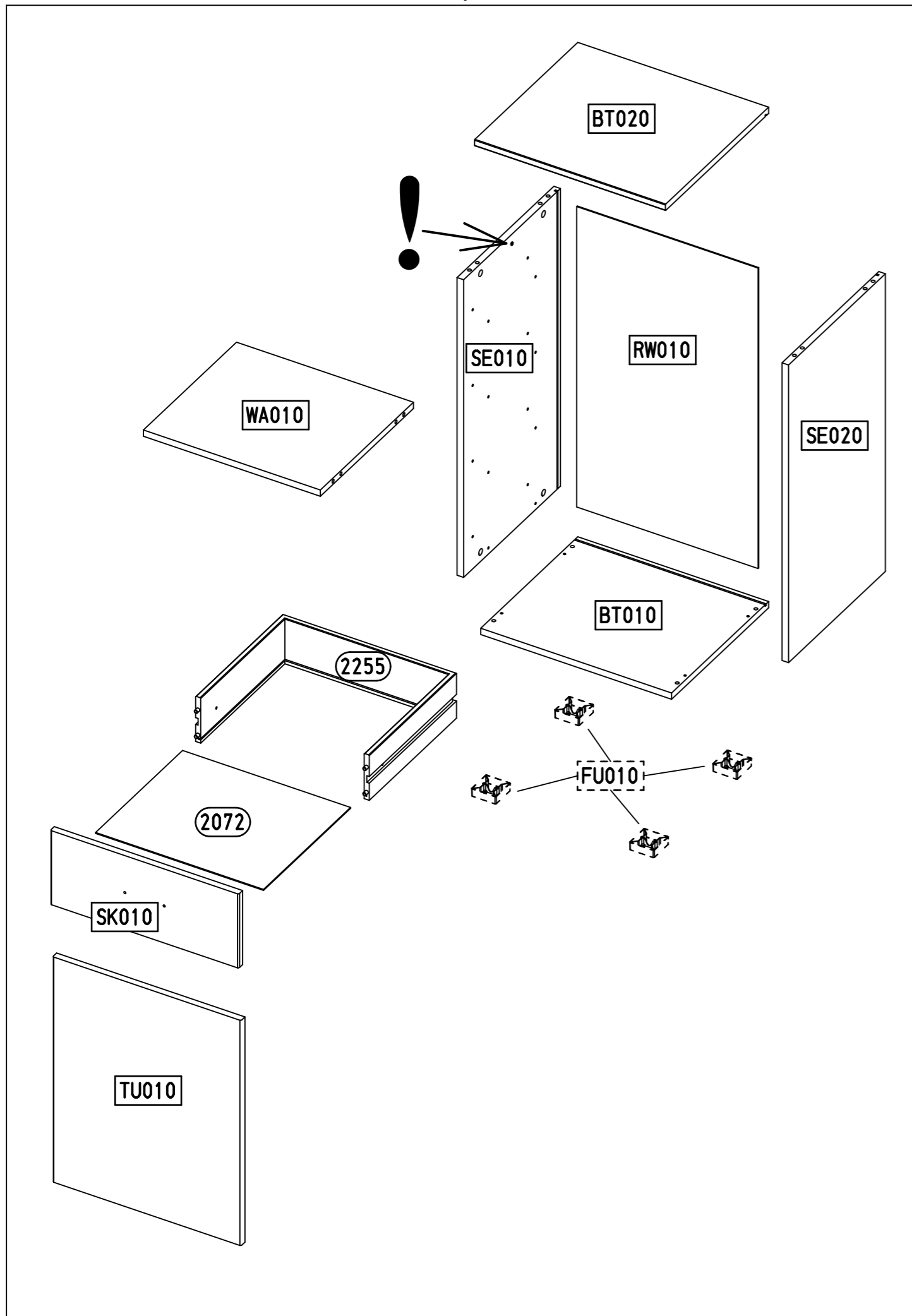
5x90



∅8mm

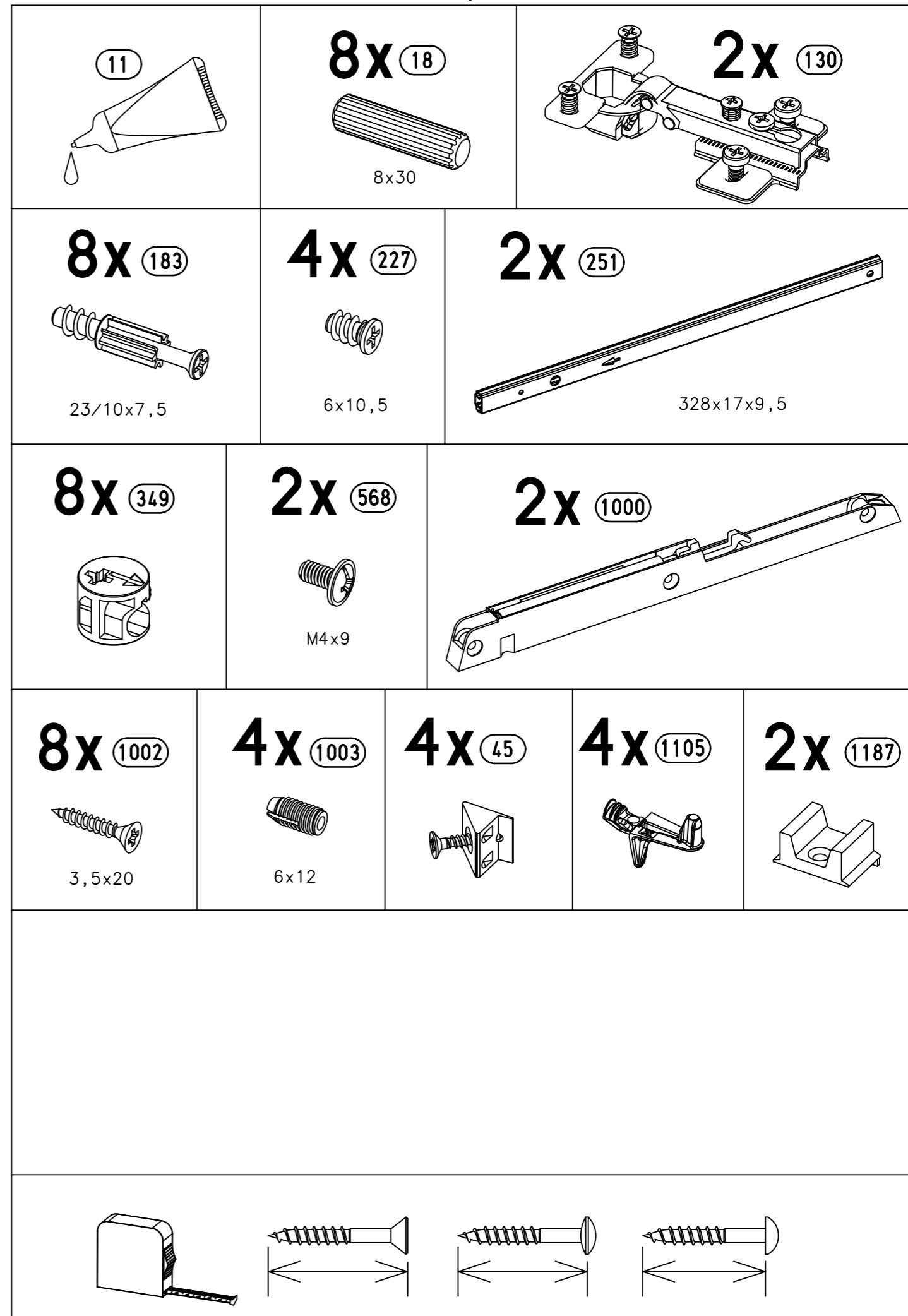


3.



M2142

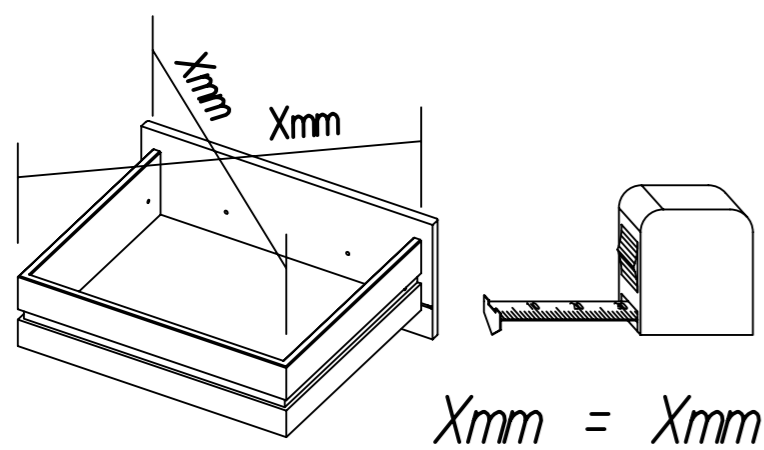
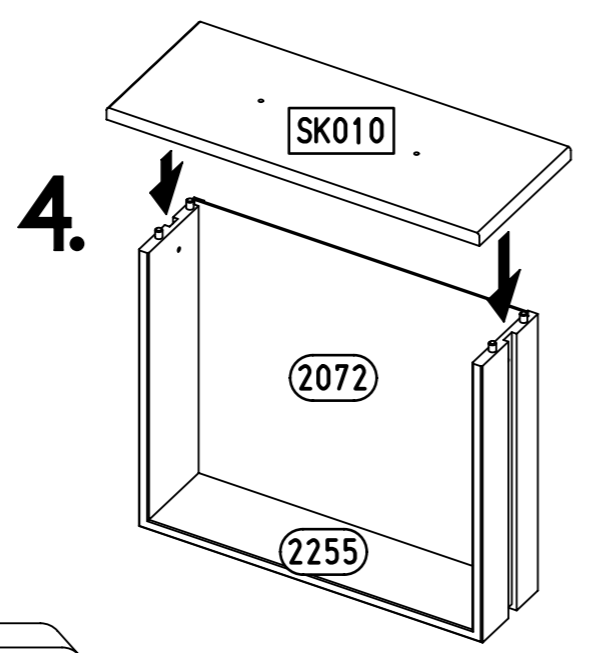
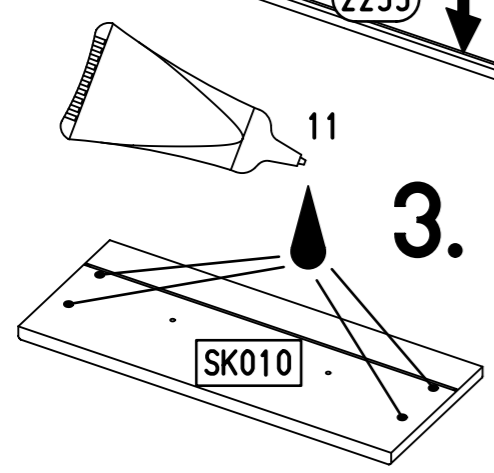
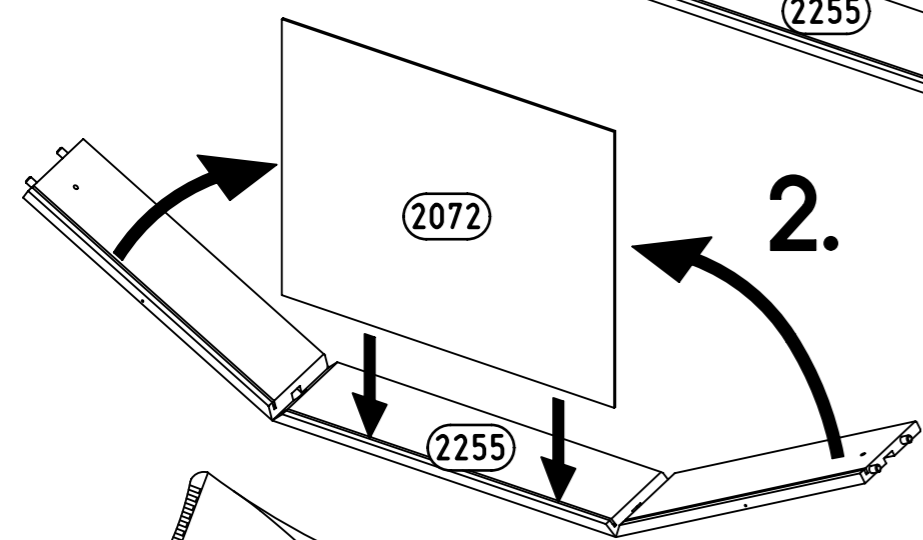
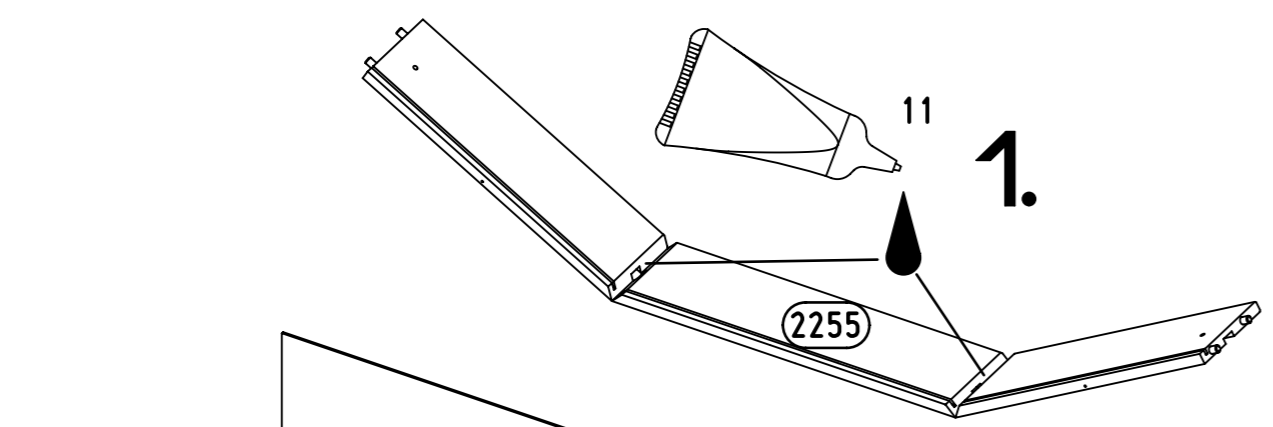
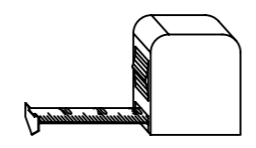
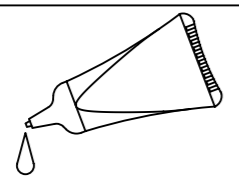
4.



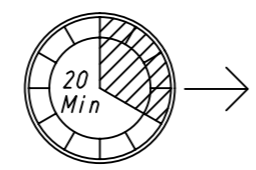
M2142

1

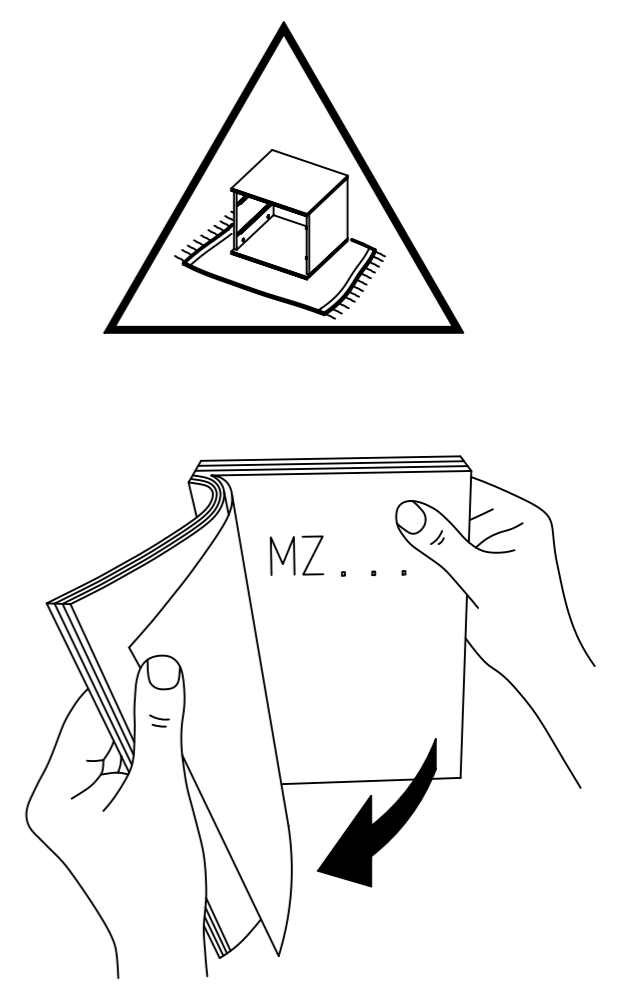
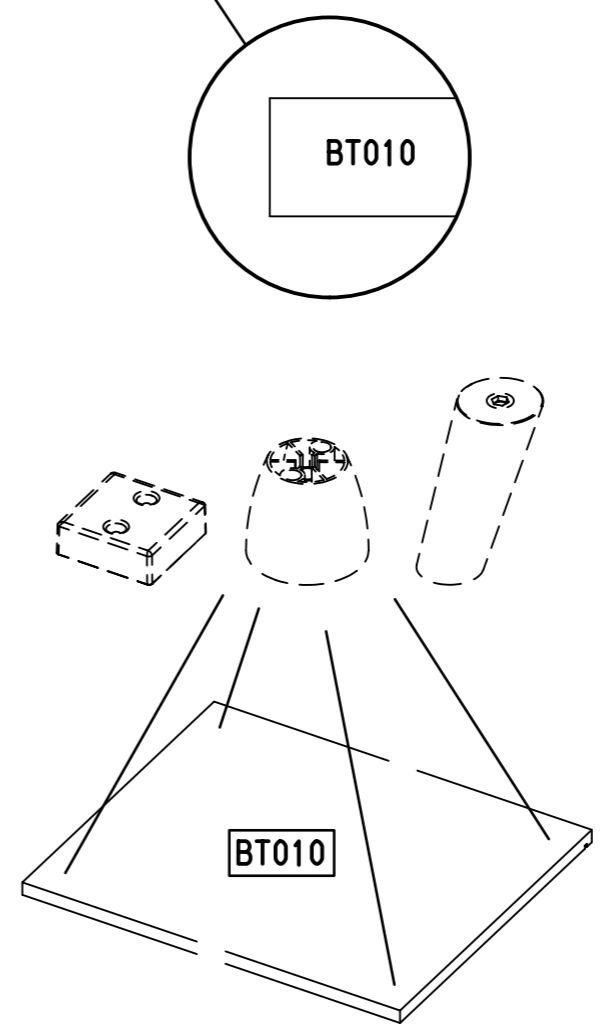
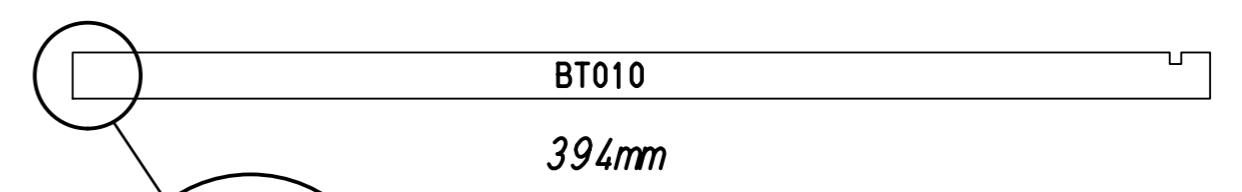
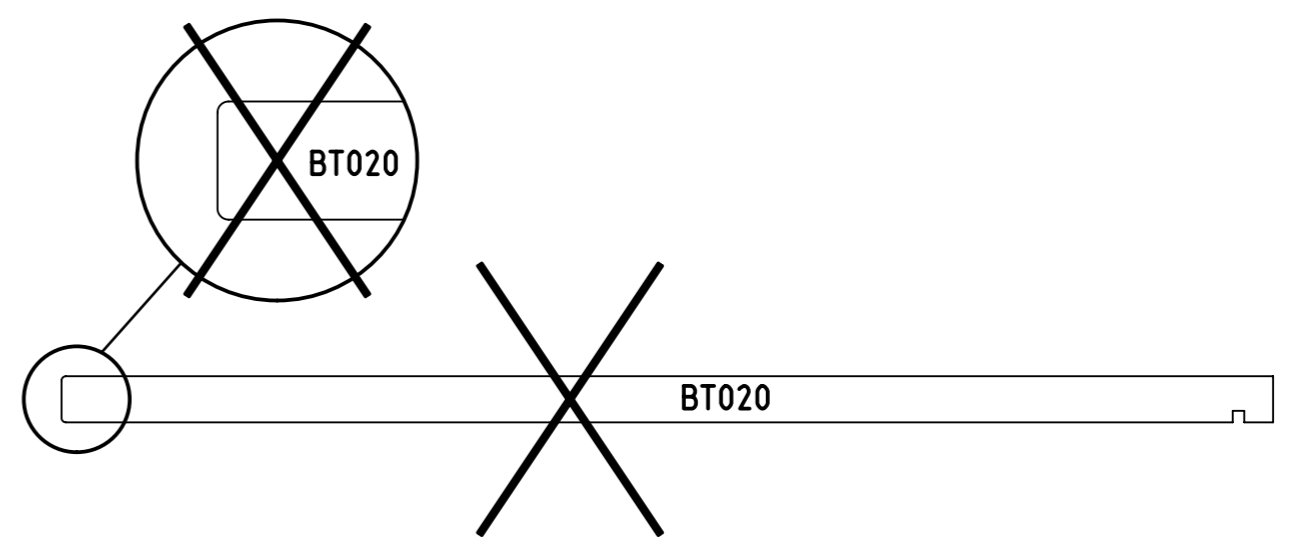
11



Xmm = Xmm

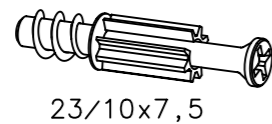


2

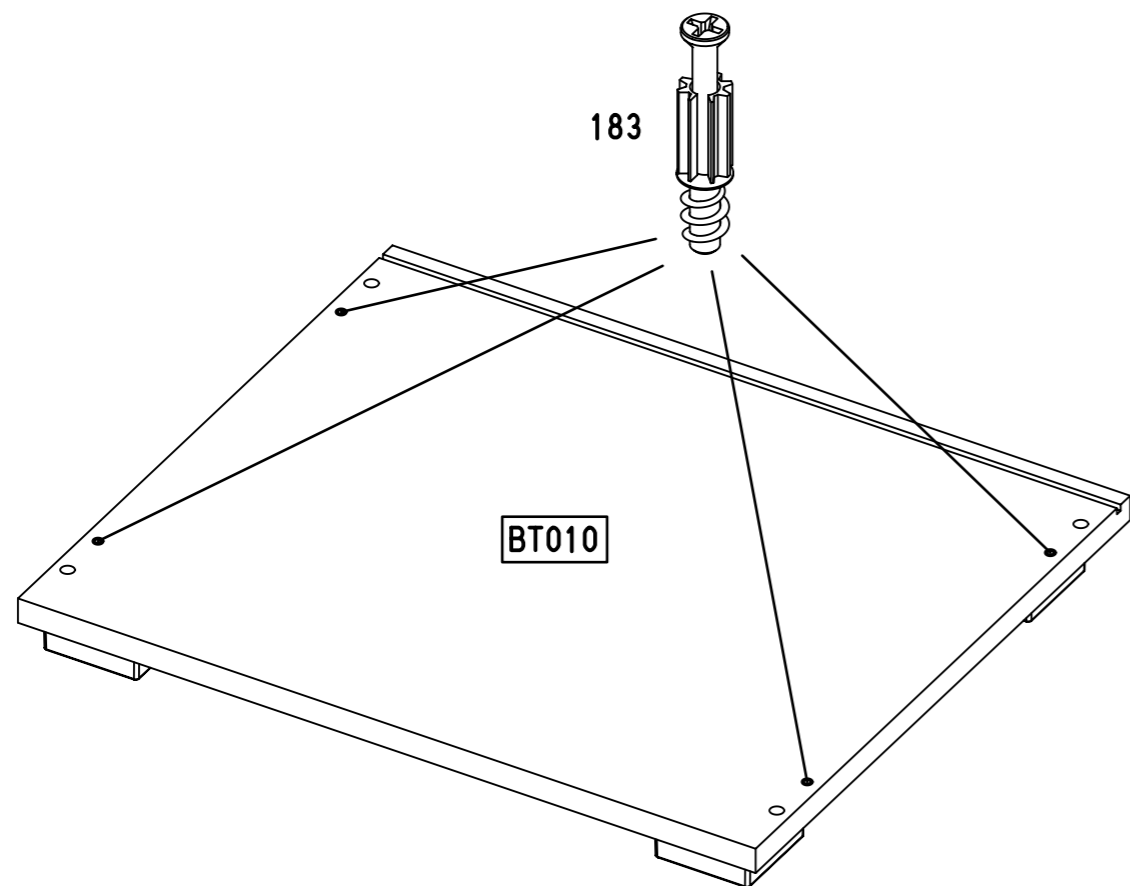
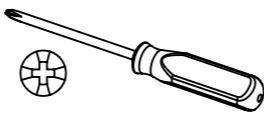


3

4x 183



23/10x7,5

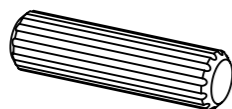


183

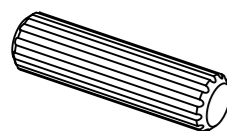
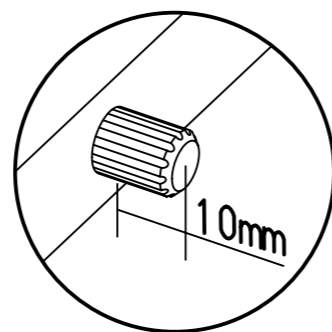
BT010

4

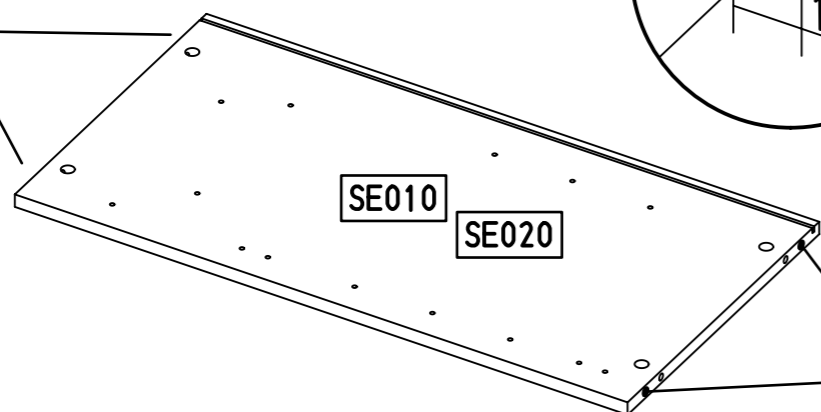
8x 18



8x30



18



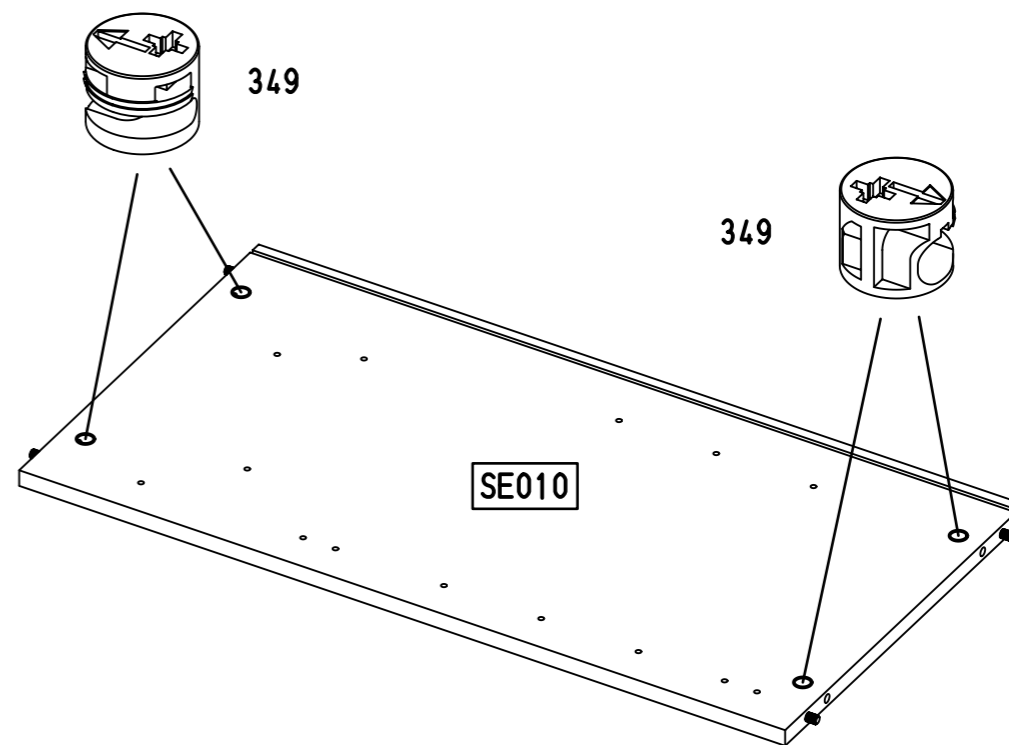
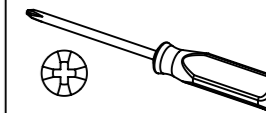
SE010

SE020

18

5

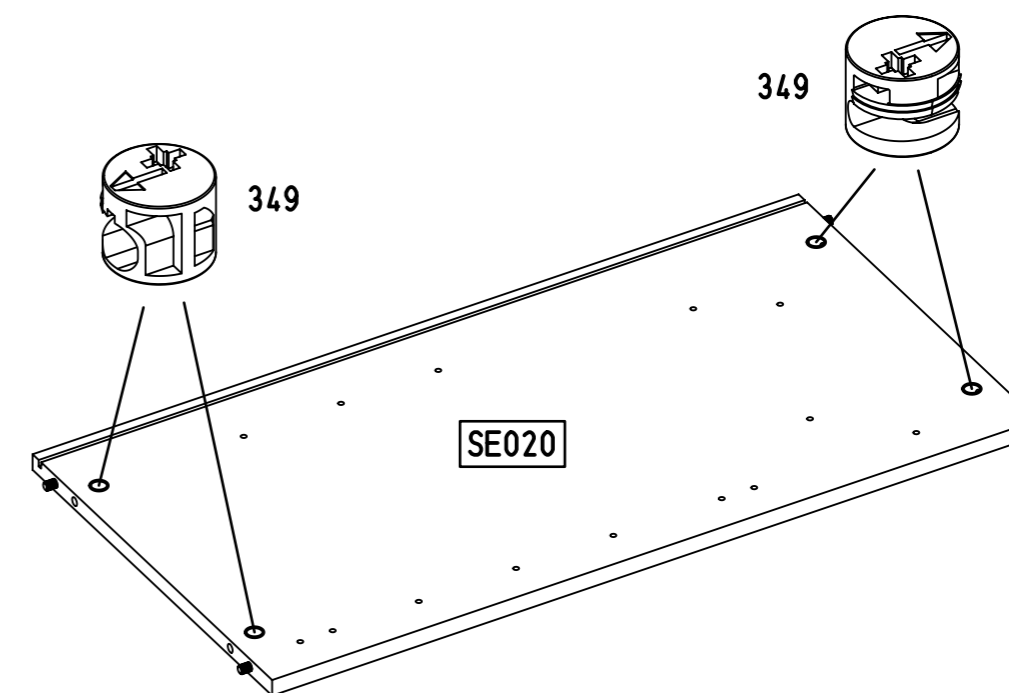
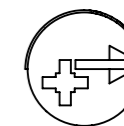
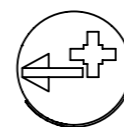
8x 349



349

349

SE010



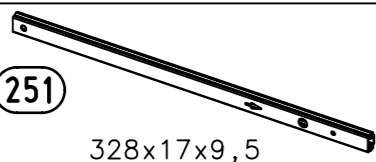
349

349

SE020

6

1x (251)

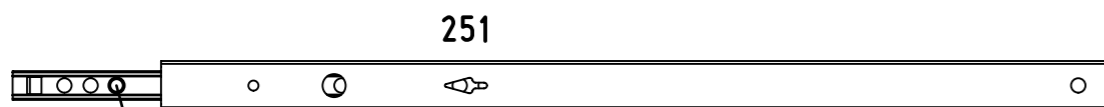
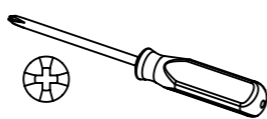


328x17x9,5

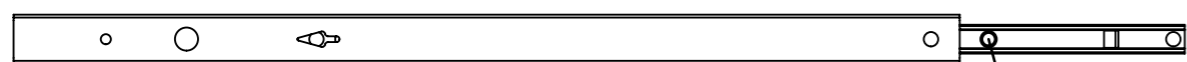
2x (227)



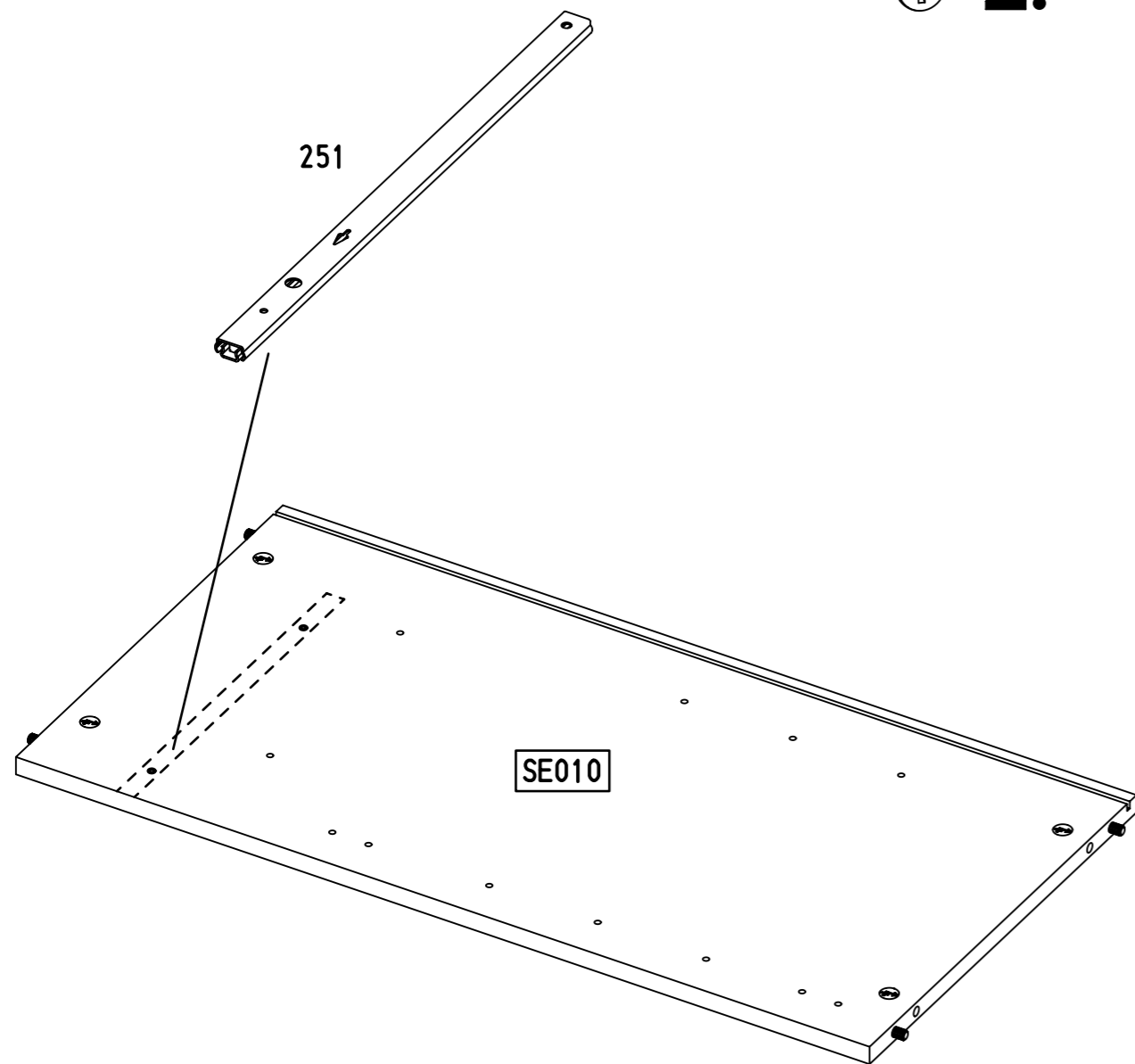
6x10,5



1.



2.



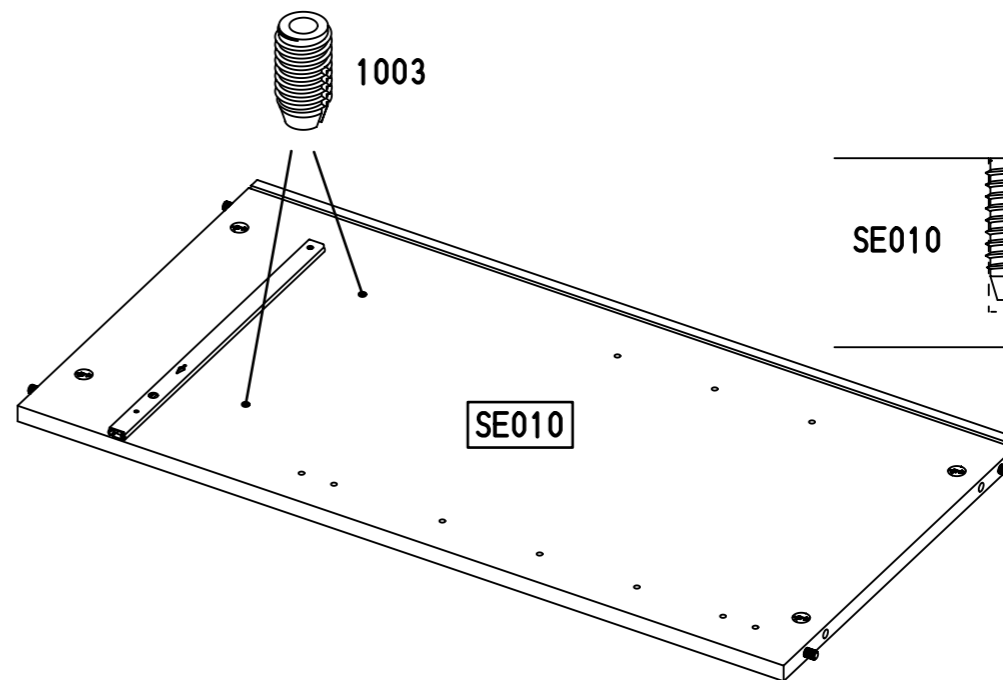
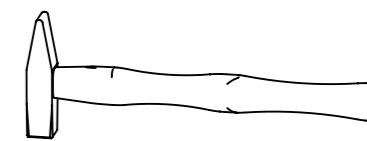
SE010

7

2x (1003)



6x12



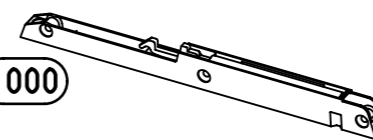
1003

SE010

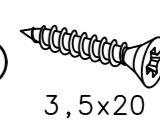
SE010

8

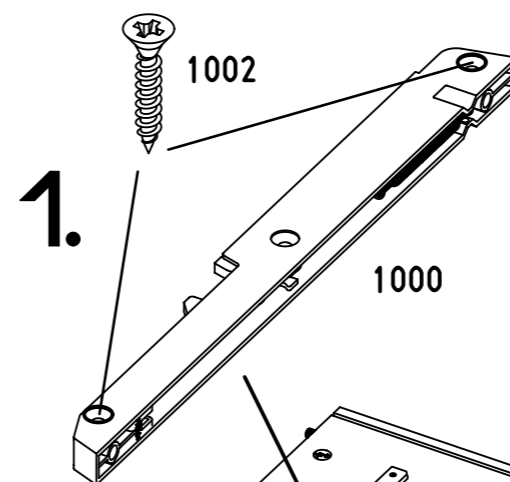
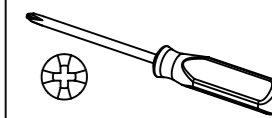
1x (1000)



3x (1002)



3,5x20

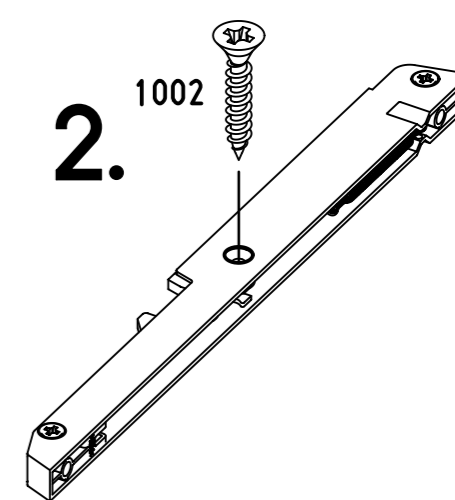


1.

1002

1000

SE010



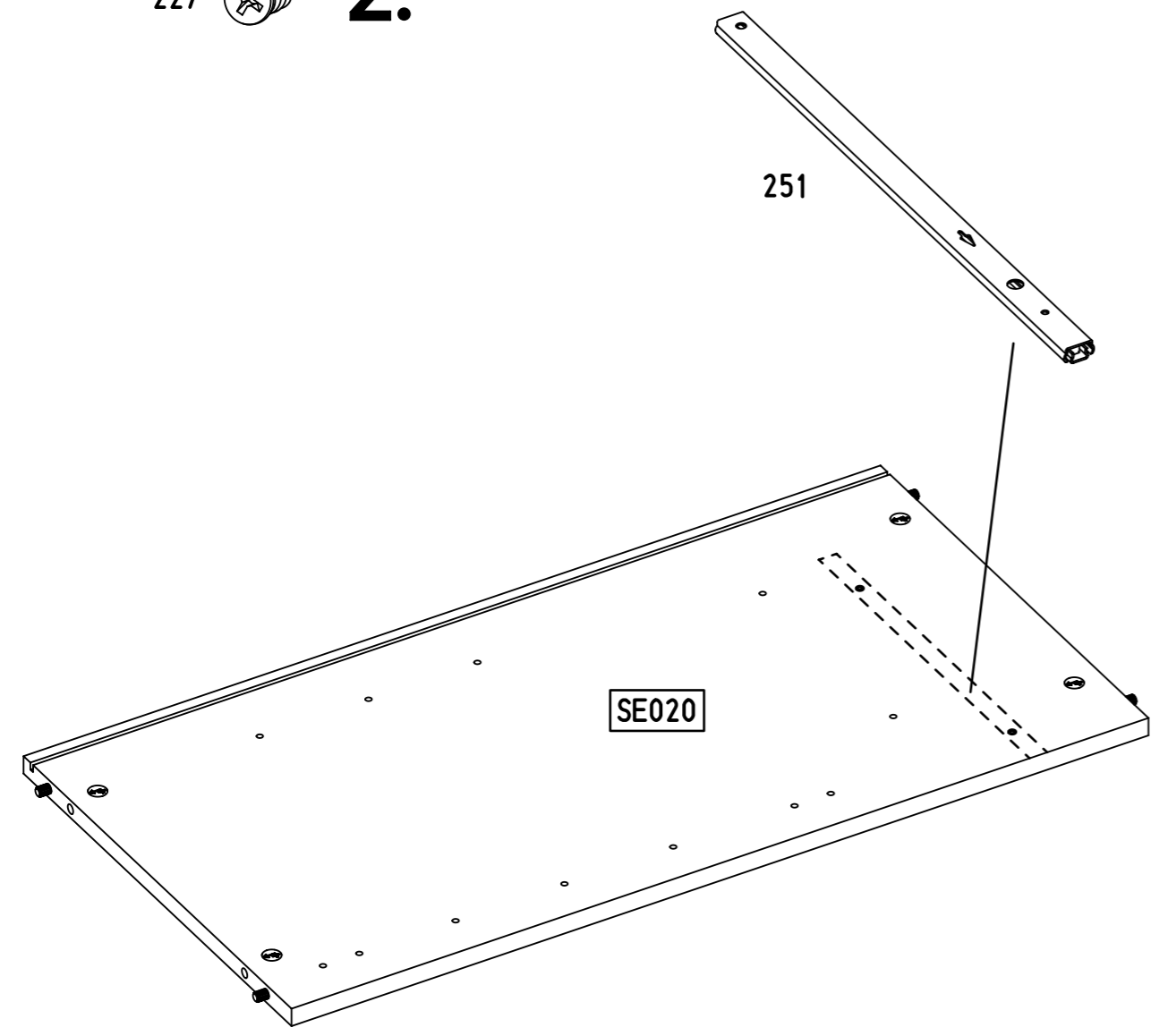
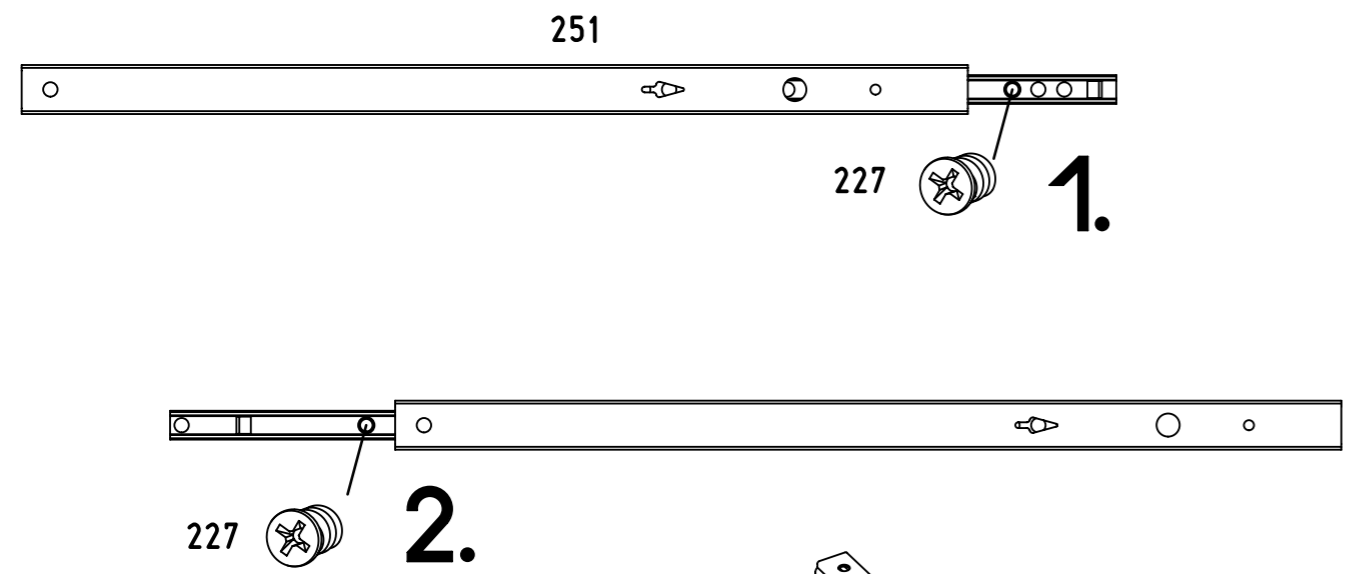
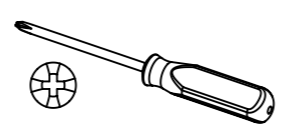
2.

1002

9

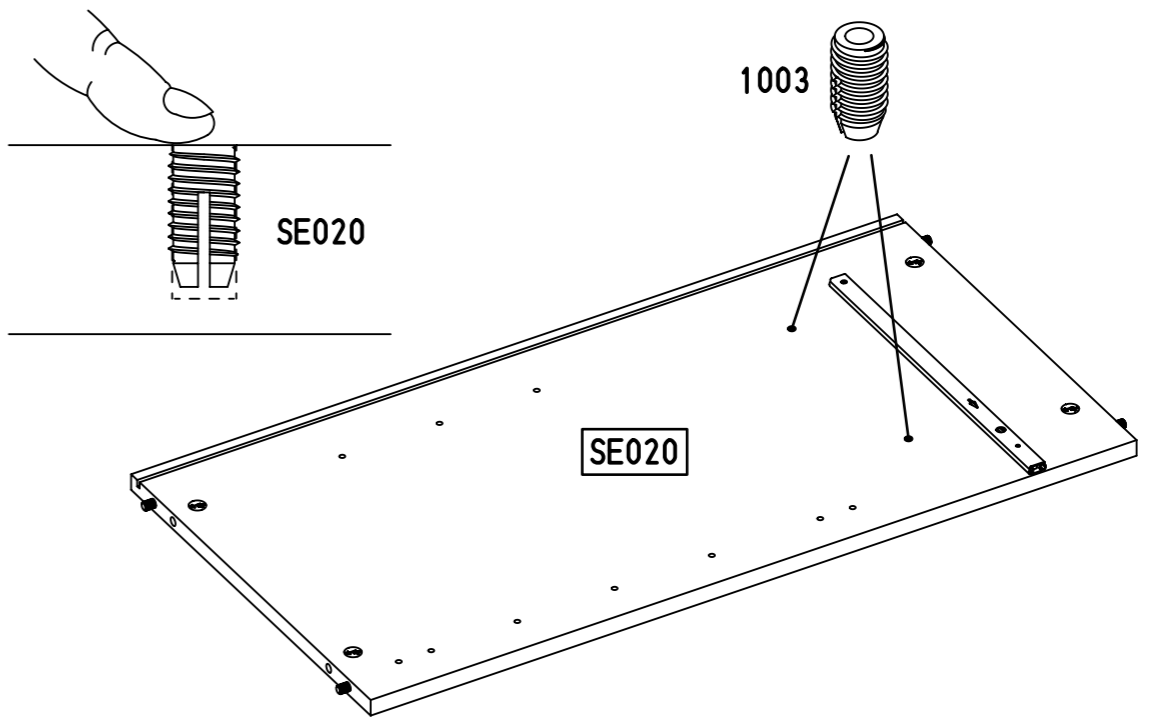
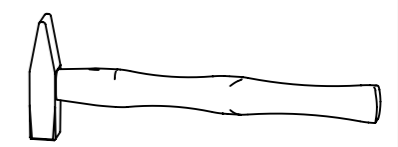
1x (251)
328x17x9,5

2x (227)
6x10,5



10

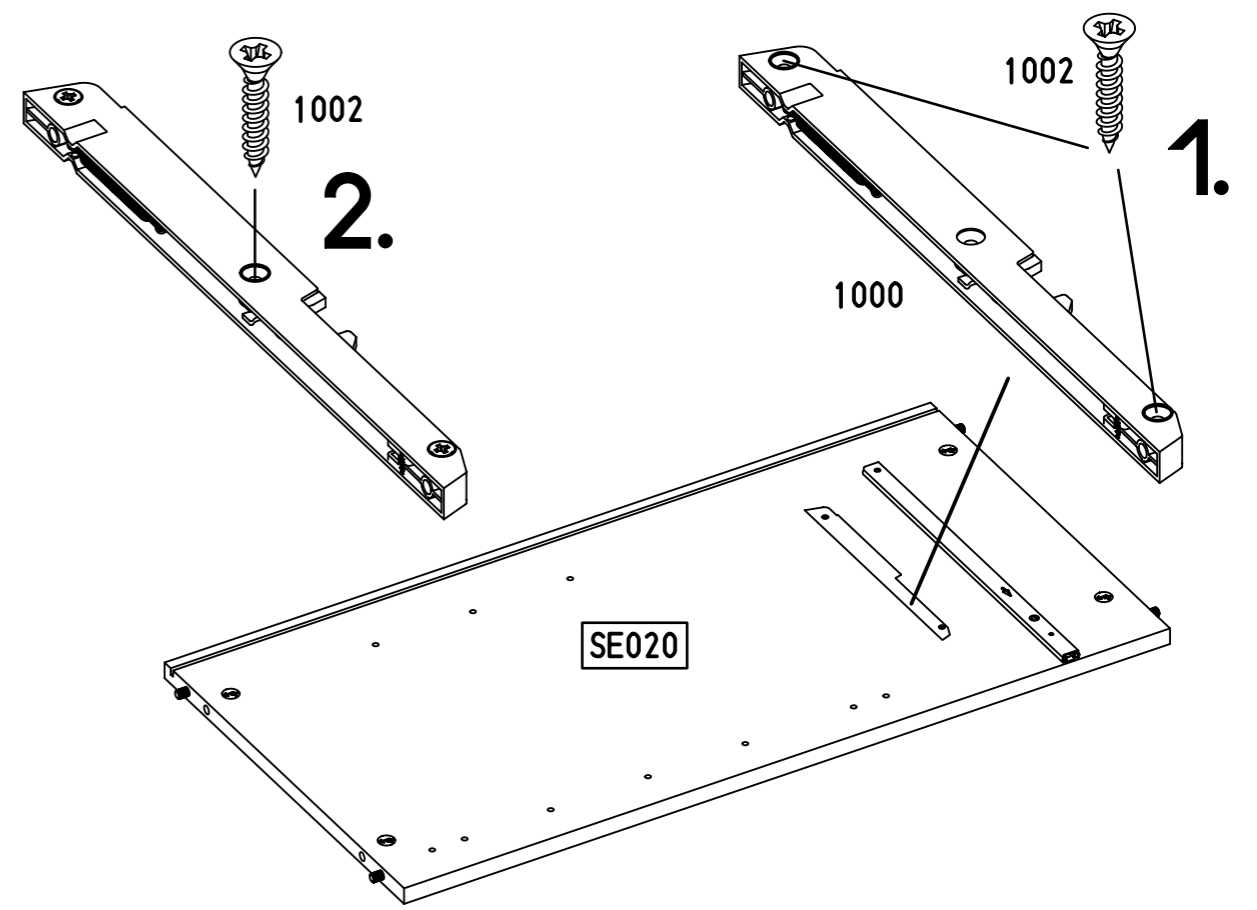
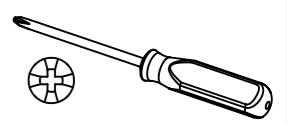
2x (1003)
6x12



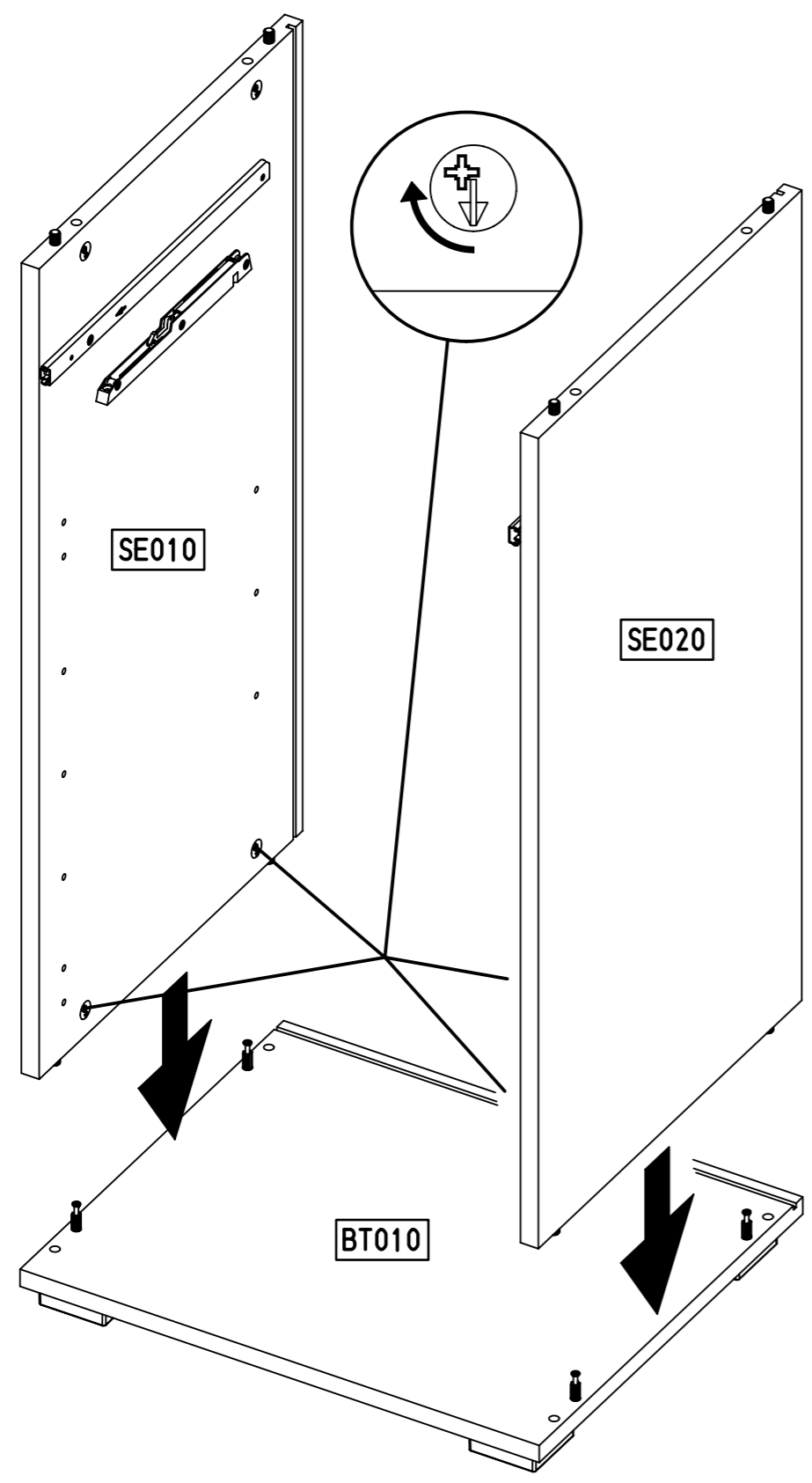
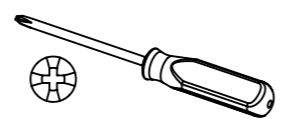
11

1x (1000)

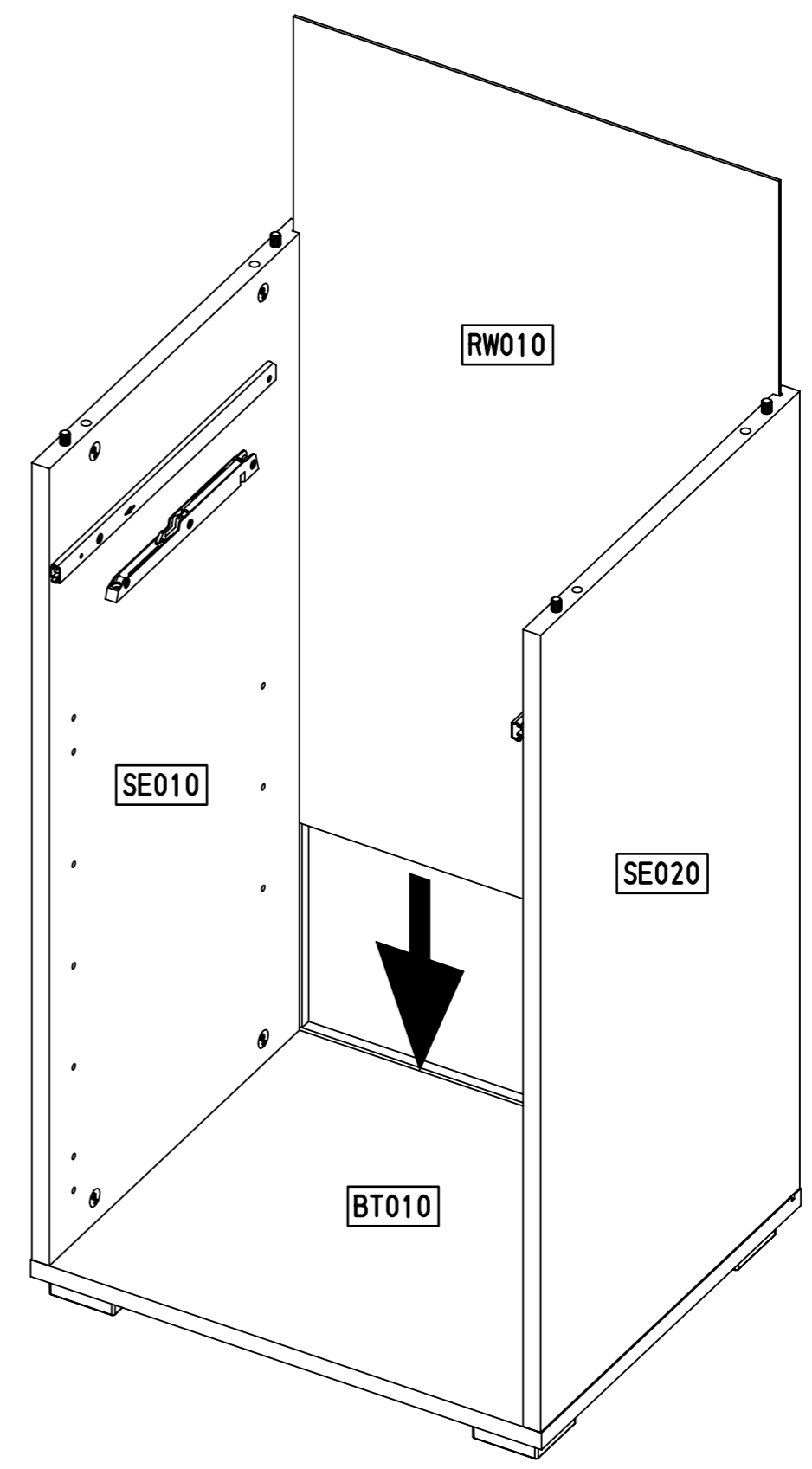
3x (1002)
3,5x20



12



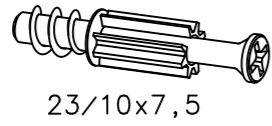
13



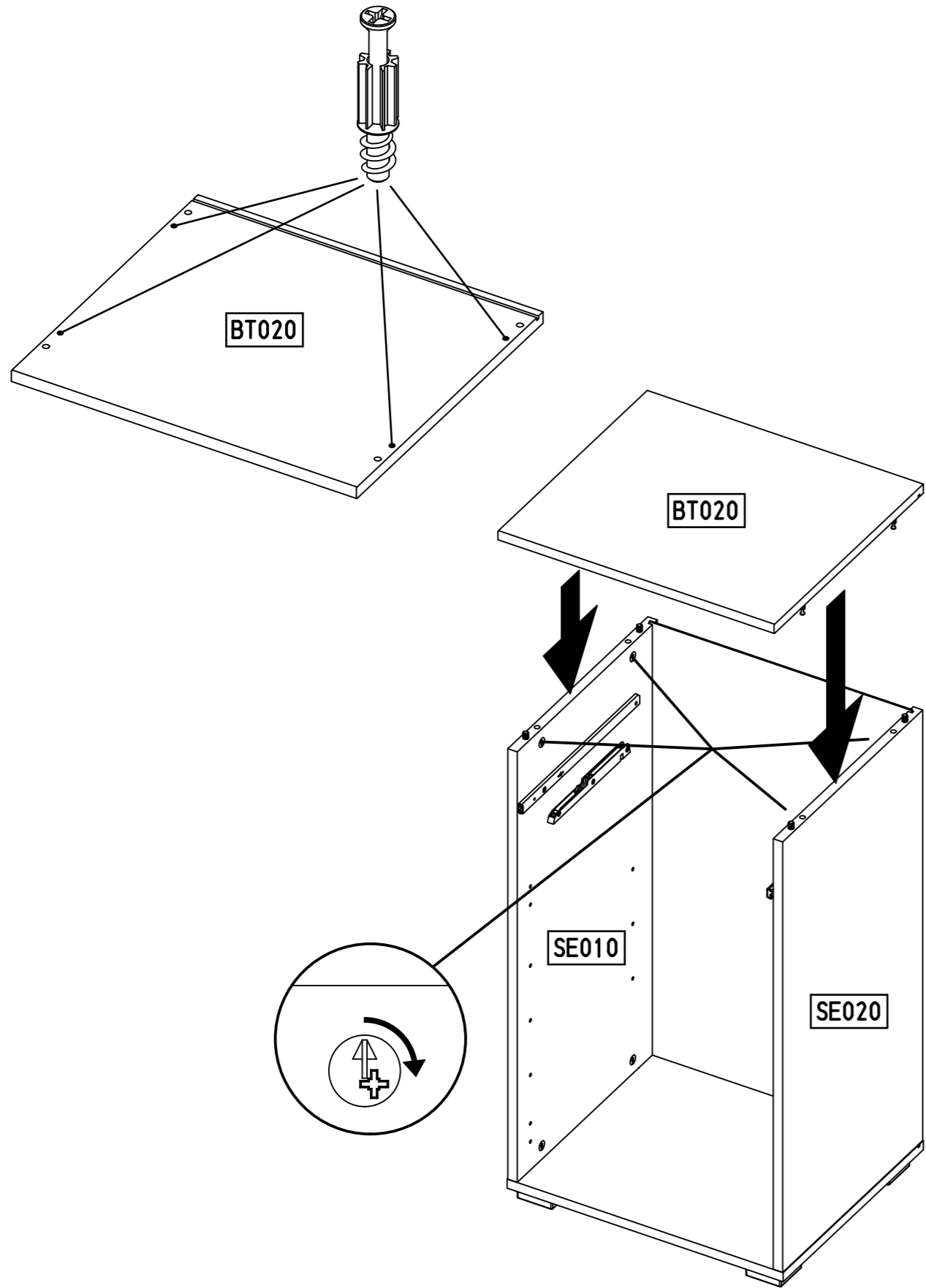
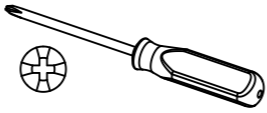
14

4x

183



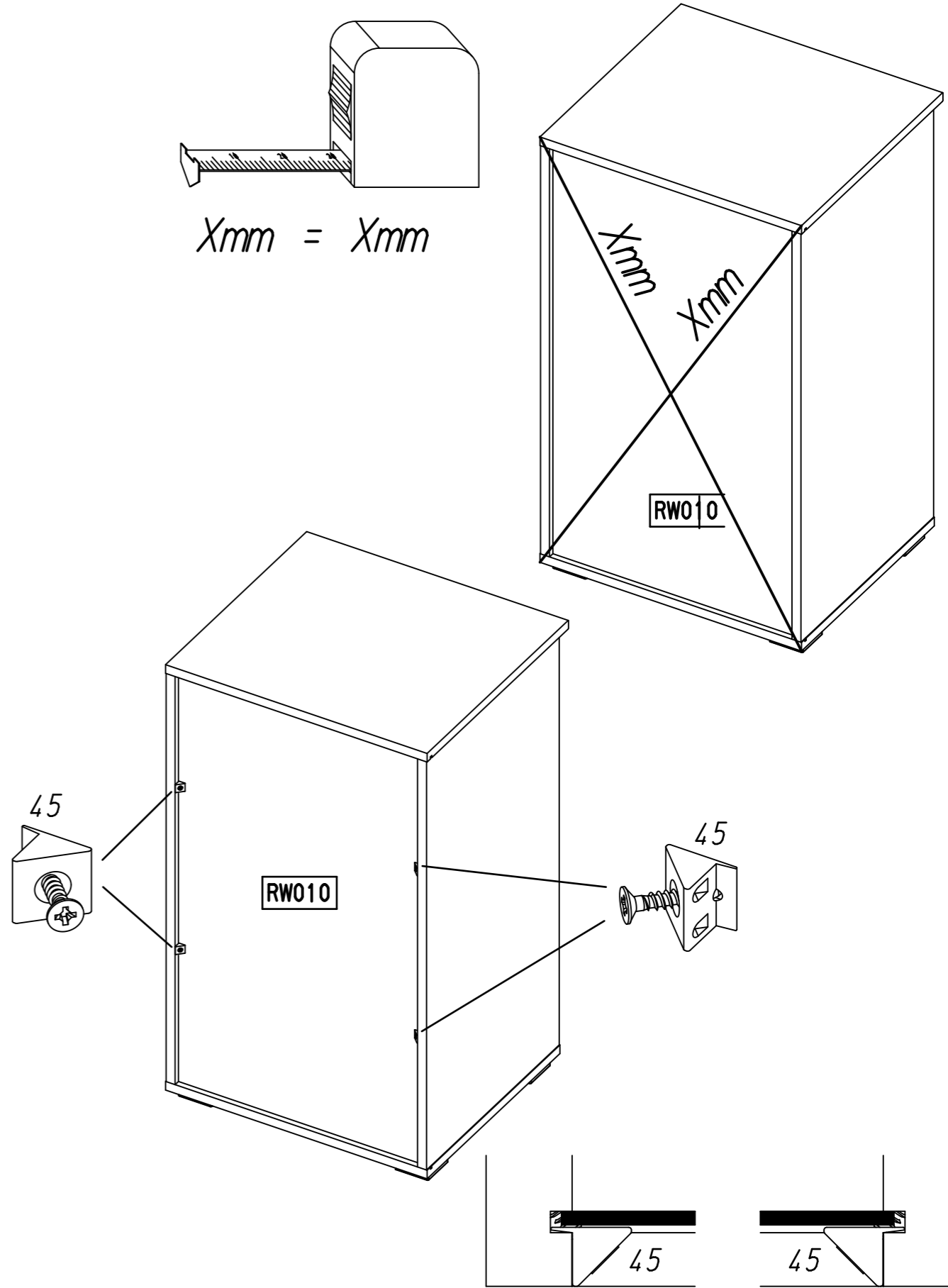
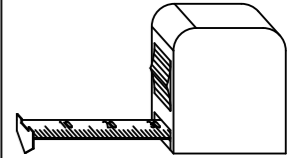
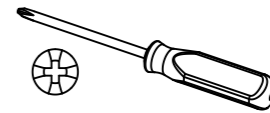
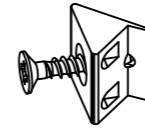
23/10x7,5



15

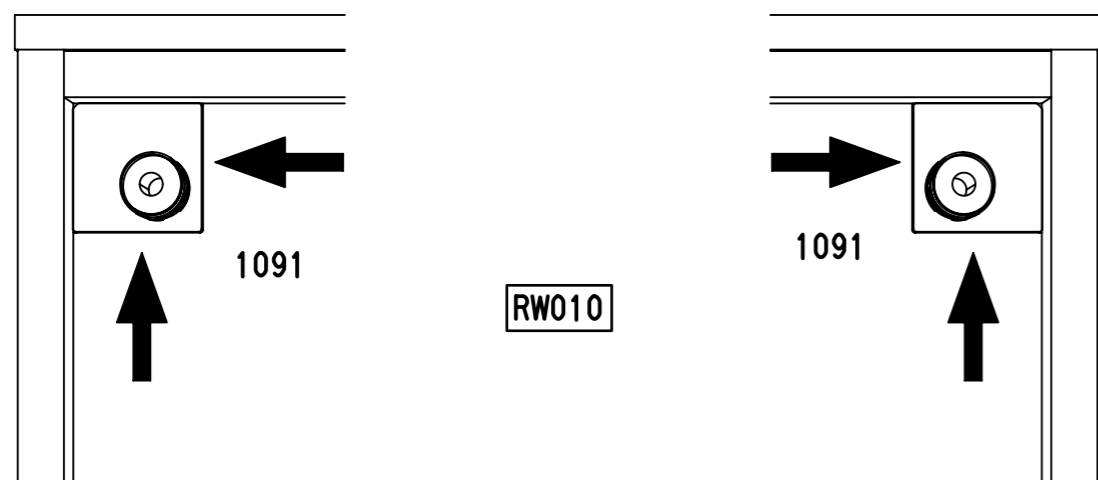
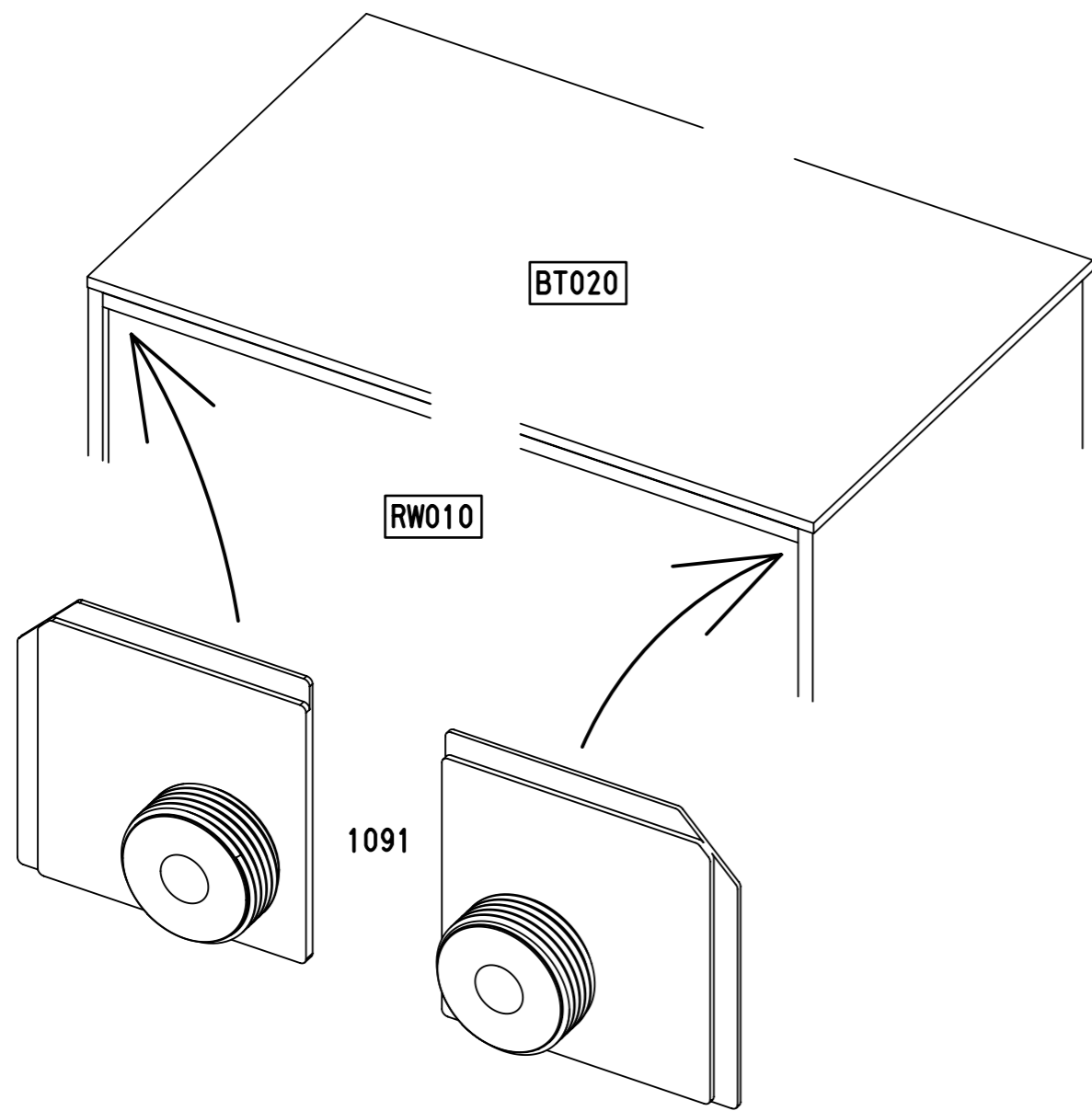
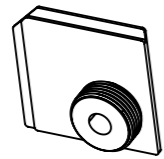
4x

45

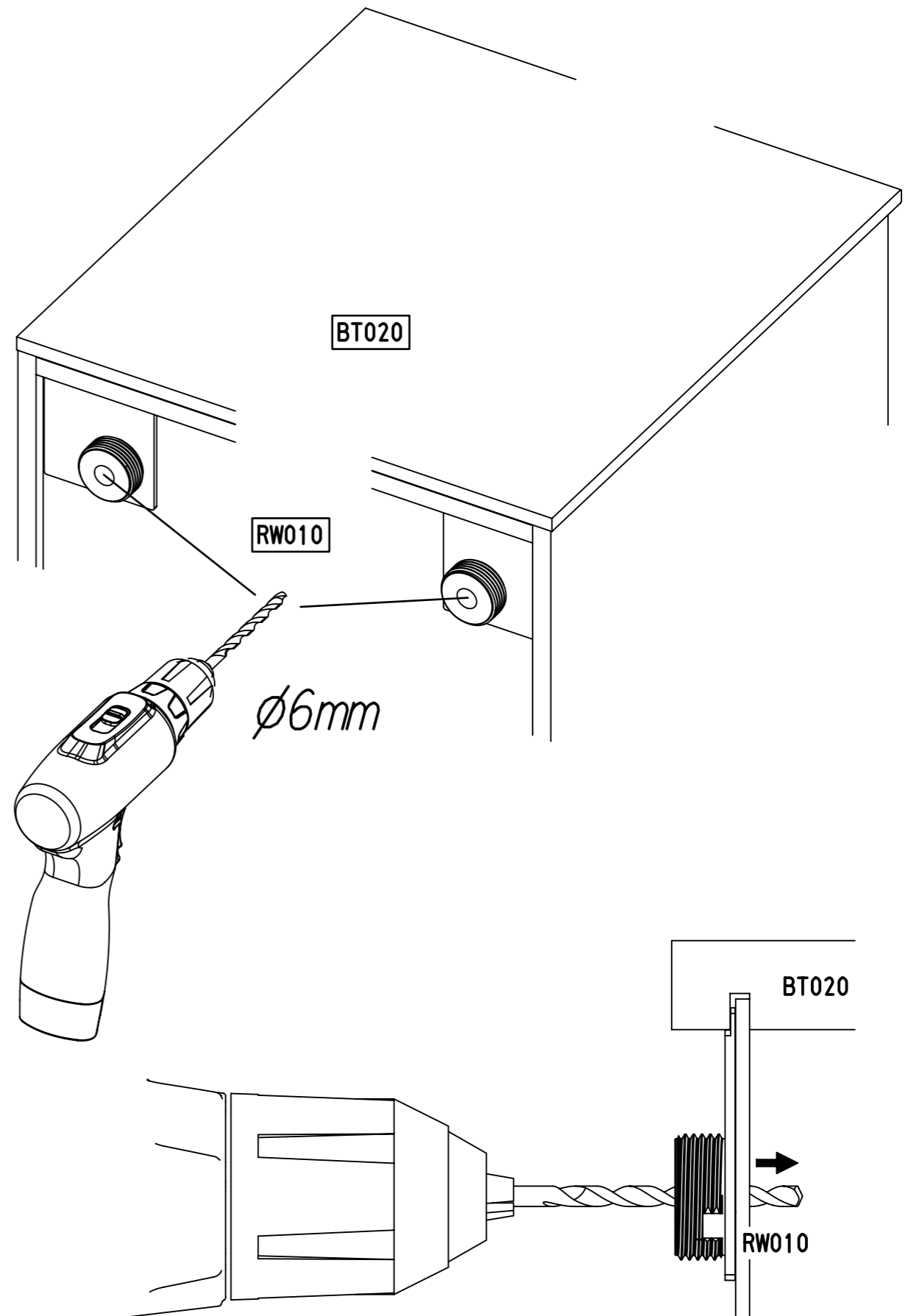
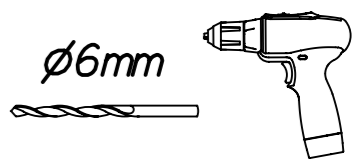


16

2x 1091

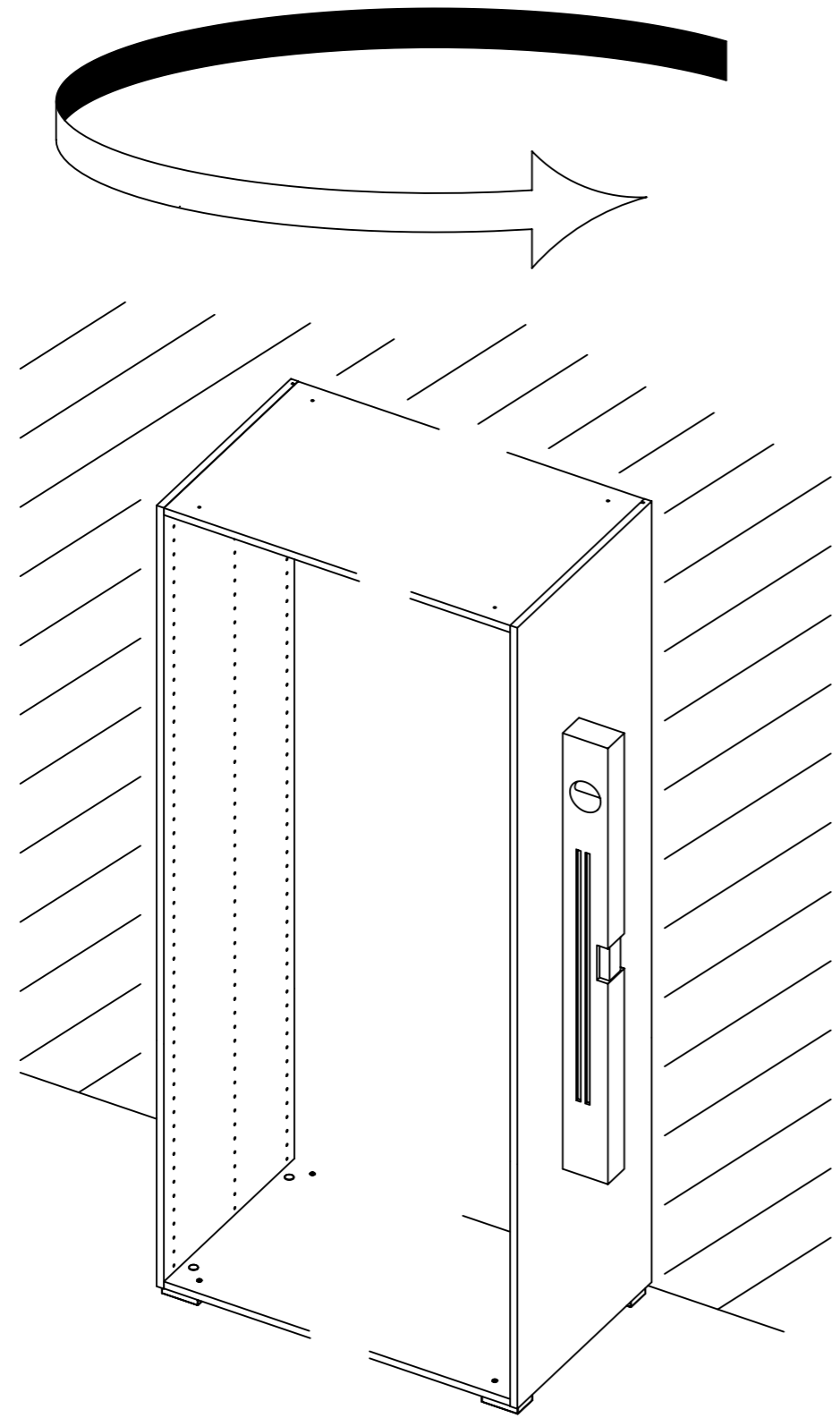
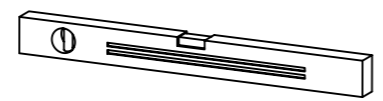


17



19.

18

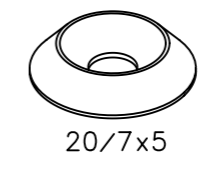


M2142

20.

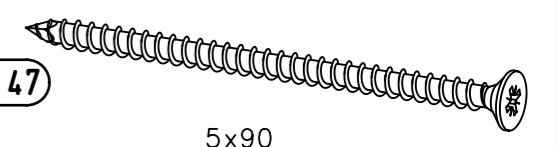
19

2x 1093

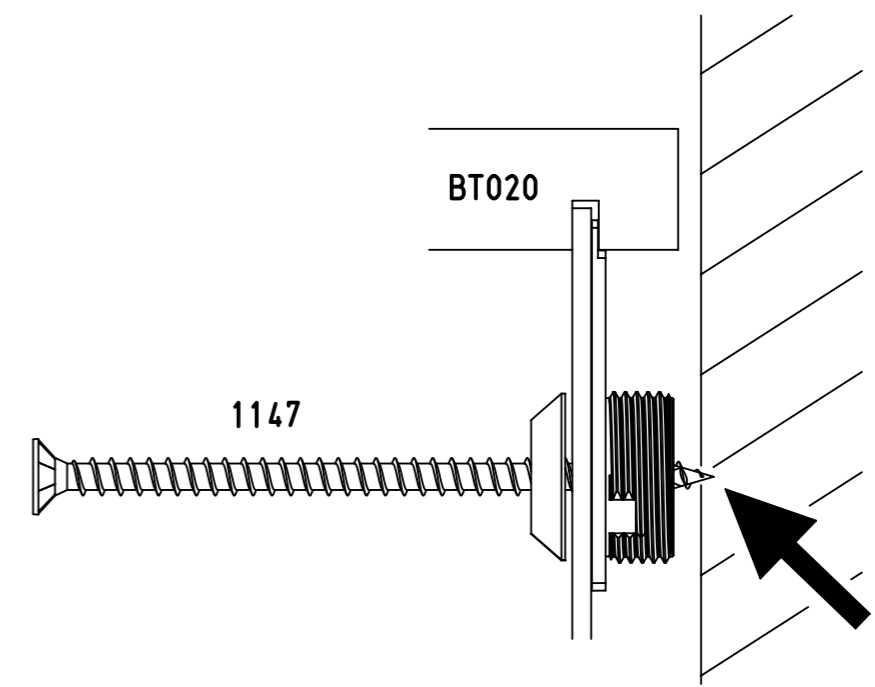
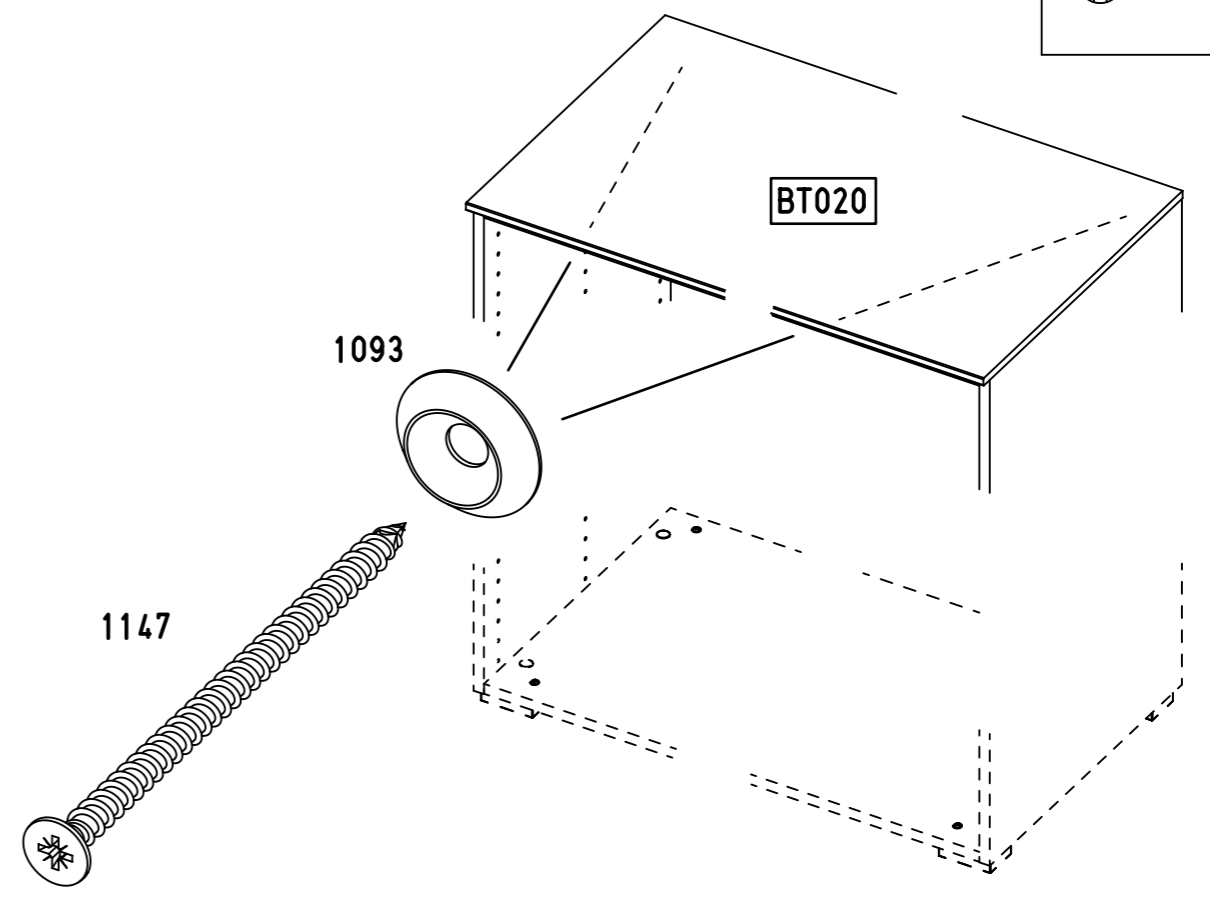
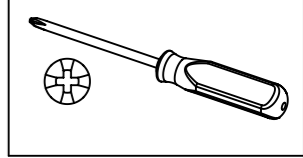


20/7x5

2x 1147



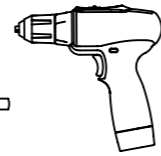
5x90



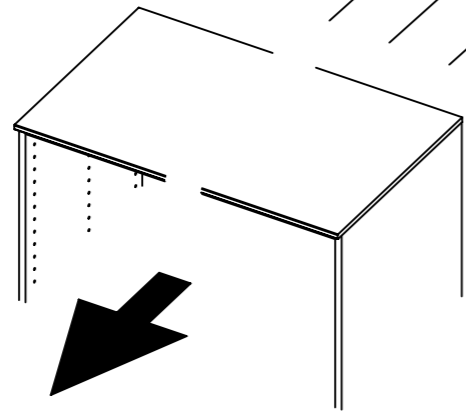
M2142

20

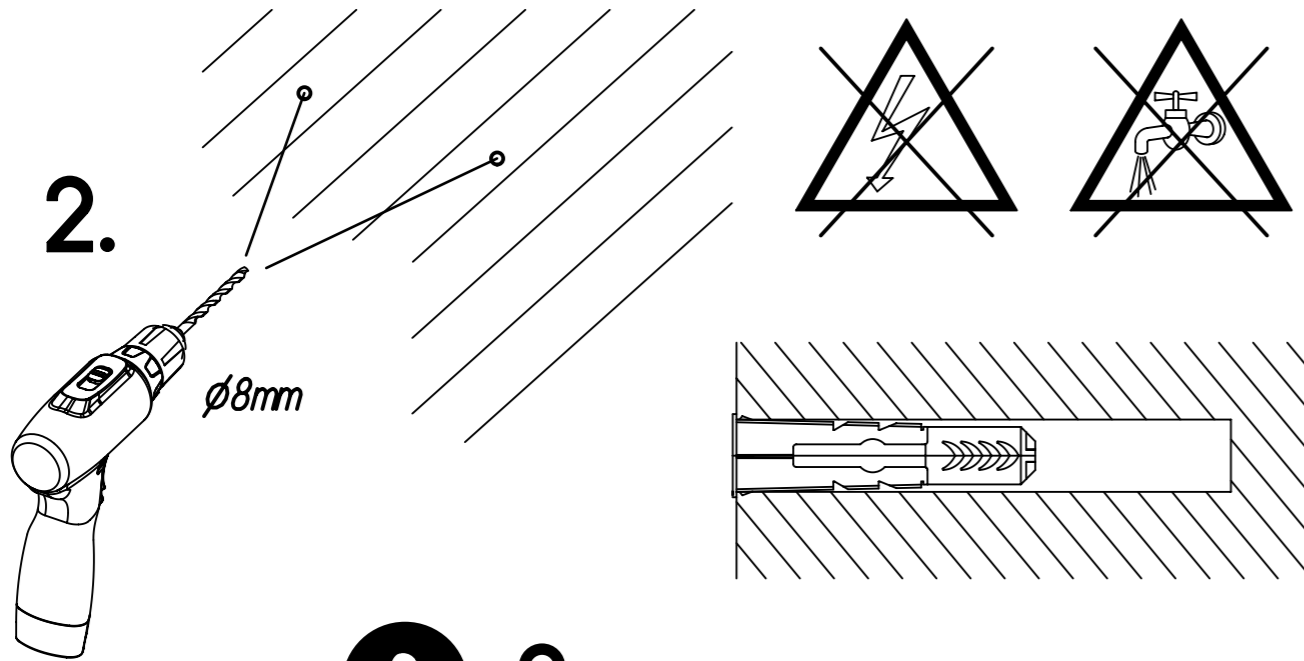
∅8mm



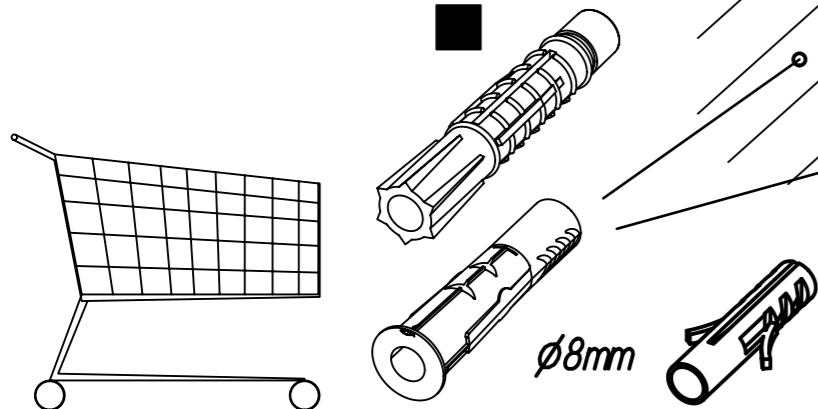
1.



2.

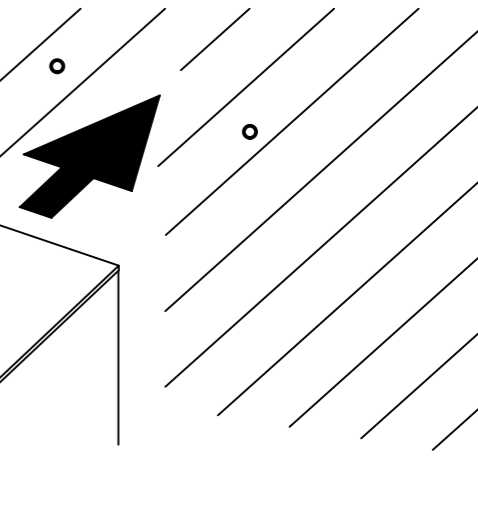
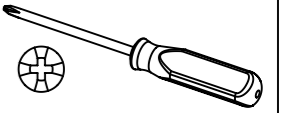
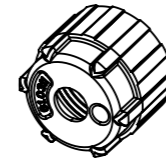


3.

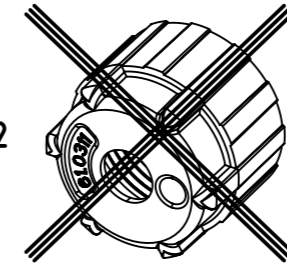


21

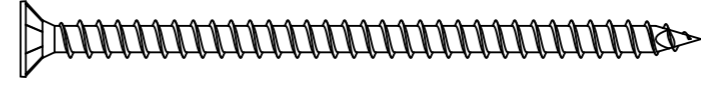
2x 1092



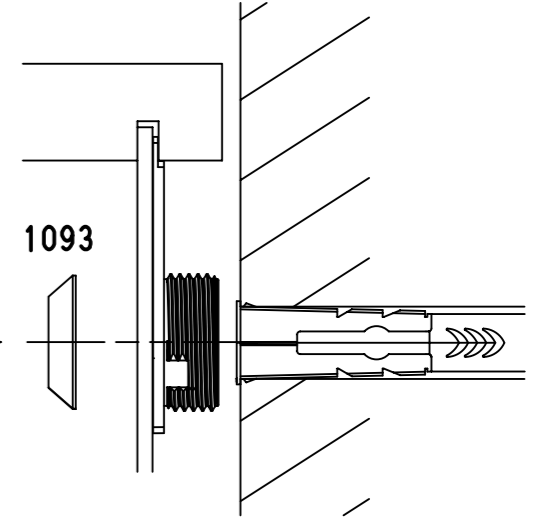
1092



1147



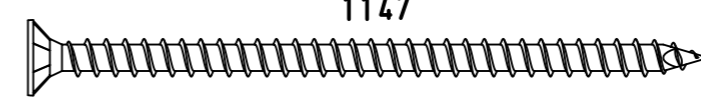
1093



10-15mm

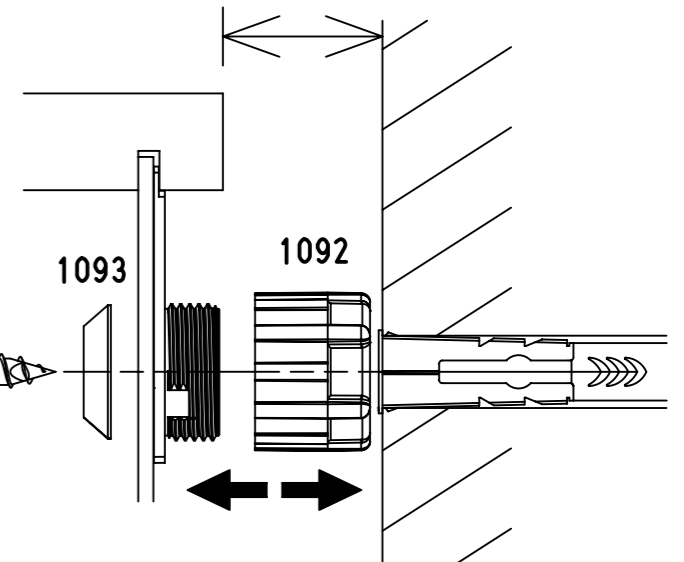


1147

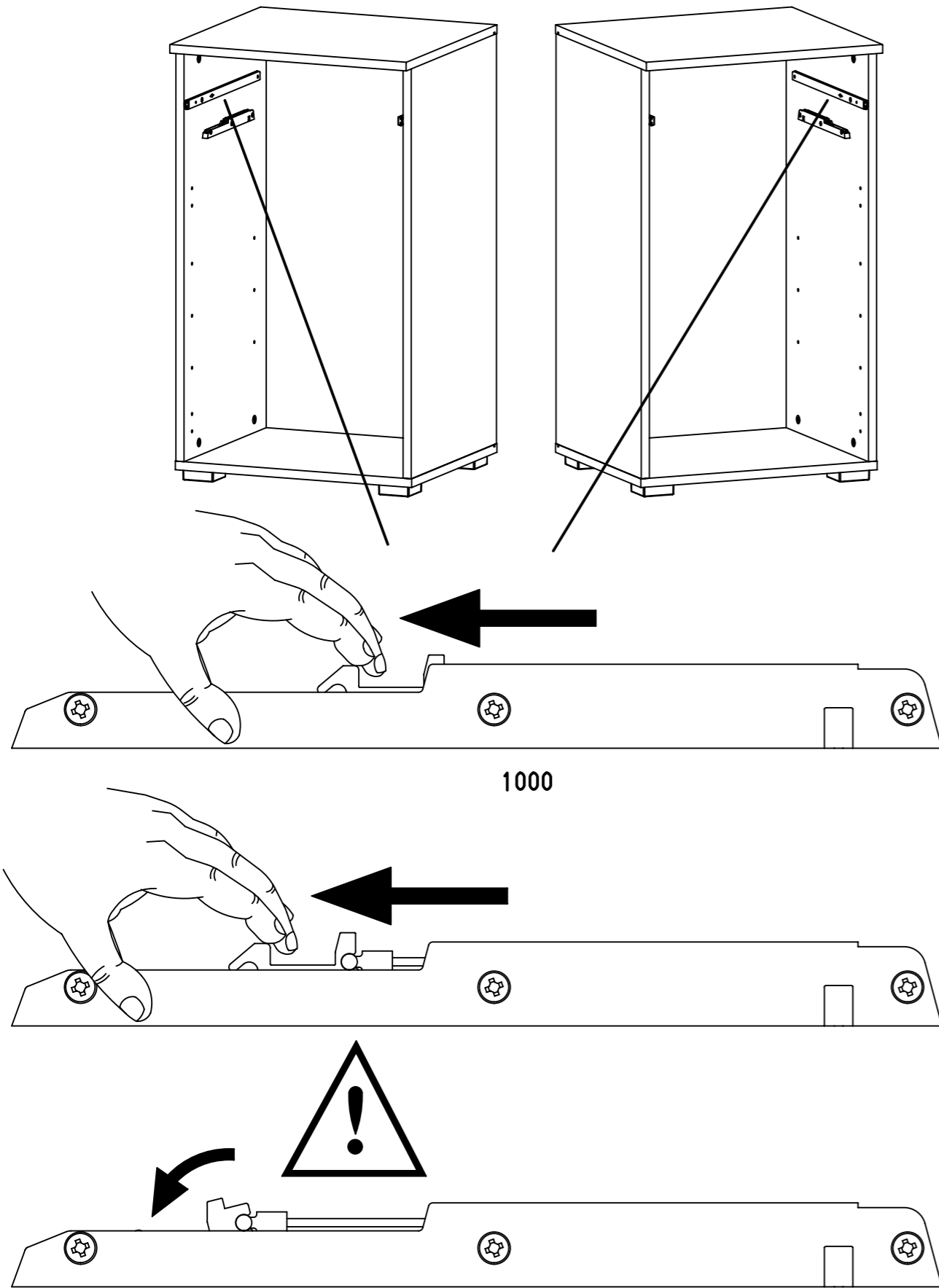


1093

1092

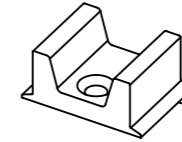


22

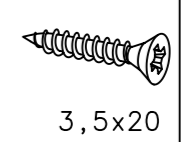


23

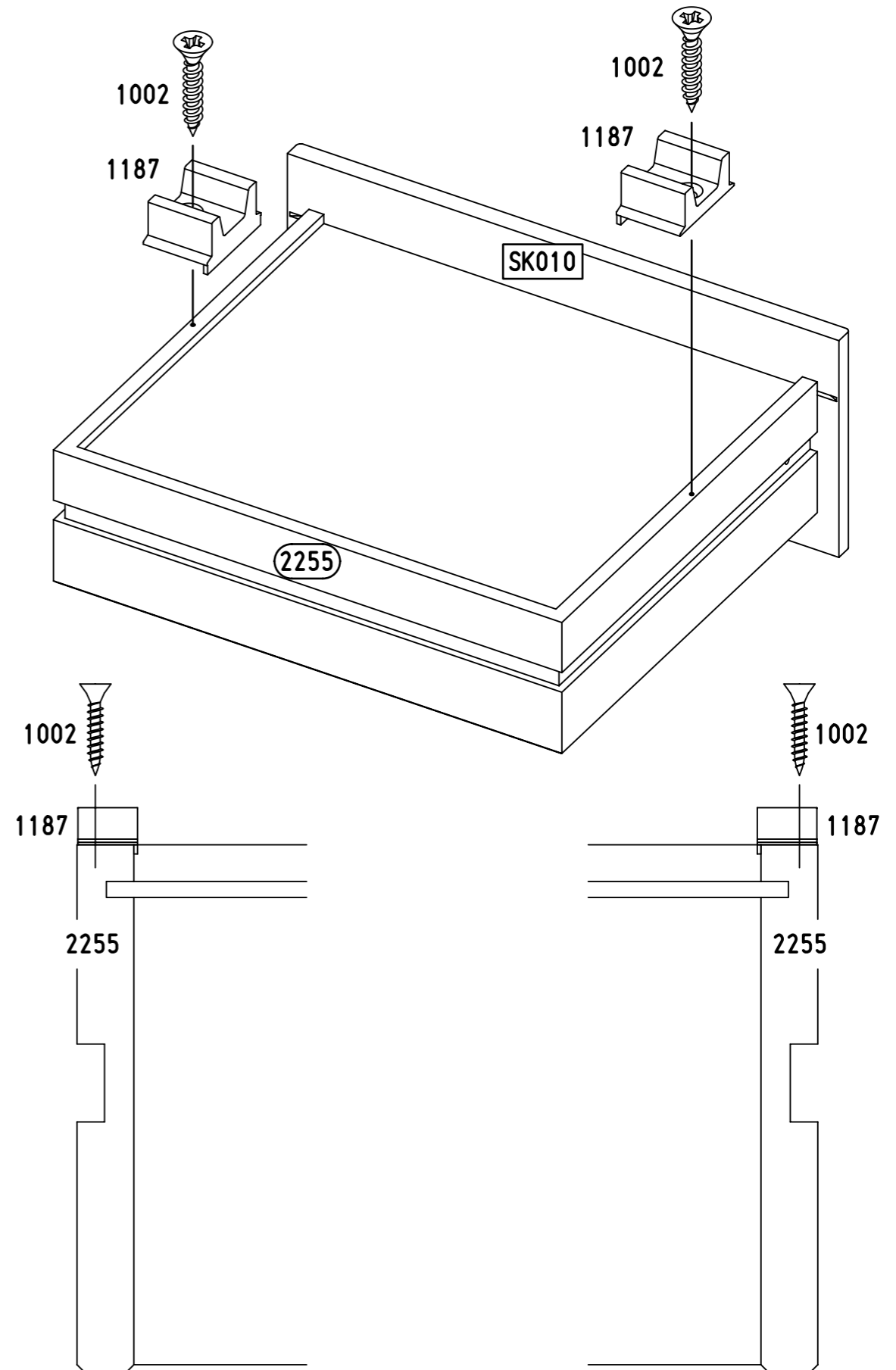
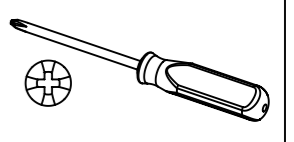
2x 1187



2x 1002



3,5x20

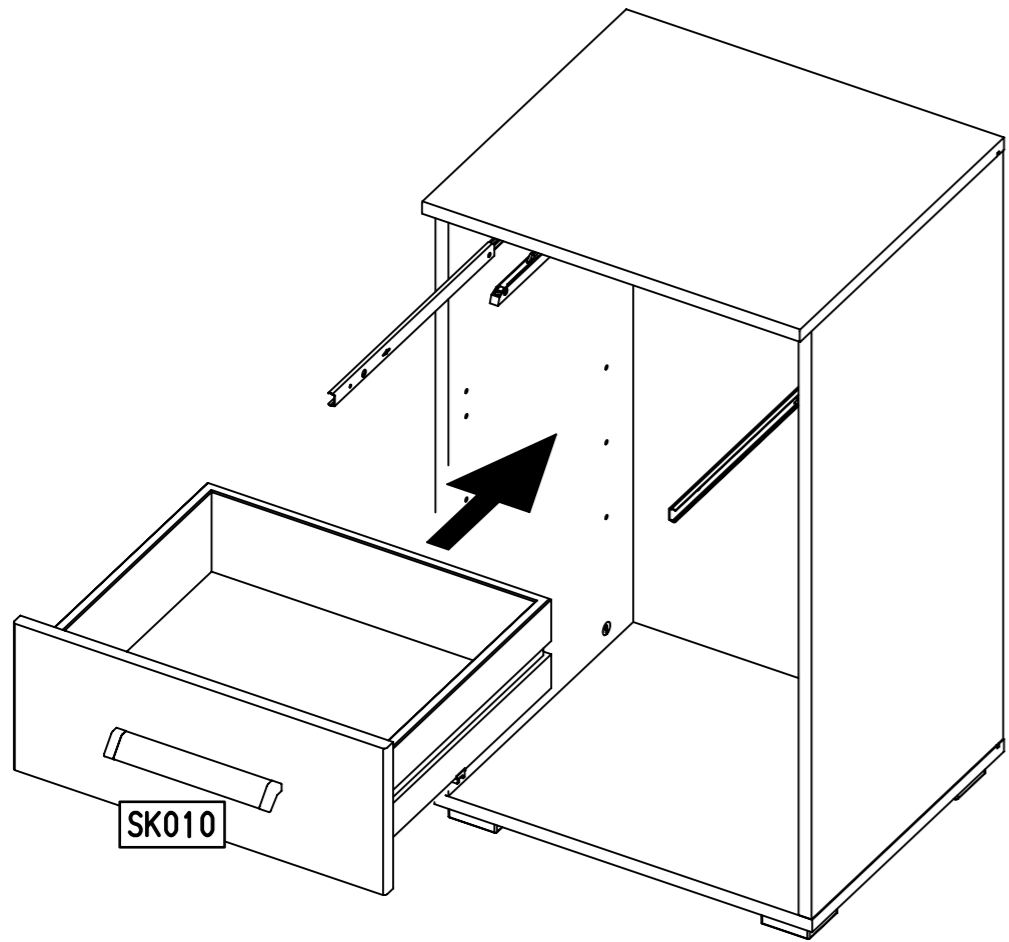
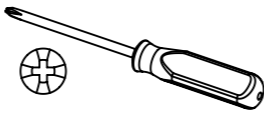


24

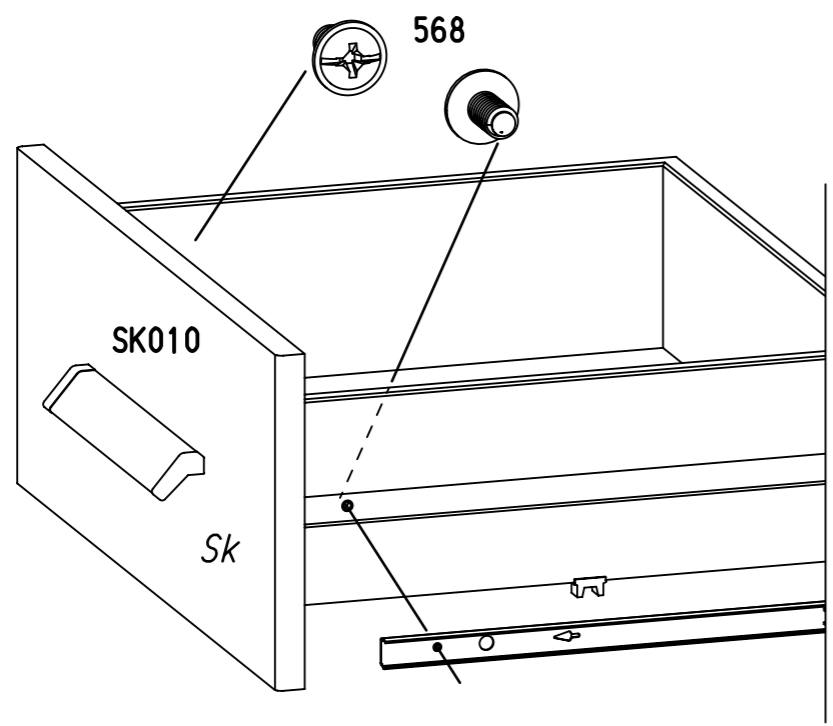
2x 568



M4x9



SK010



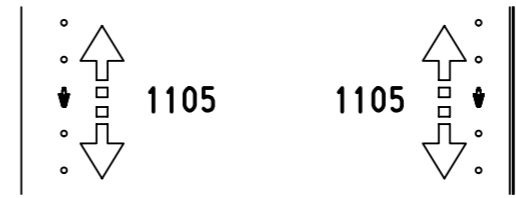
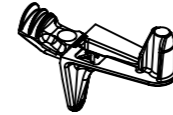
568

SK010

Sk

25

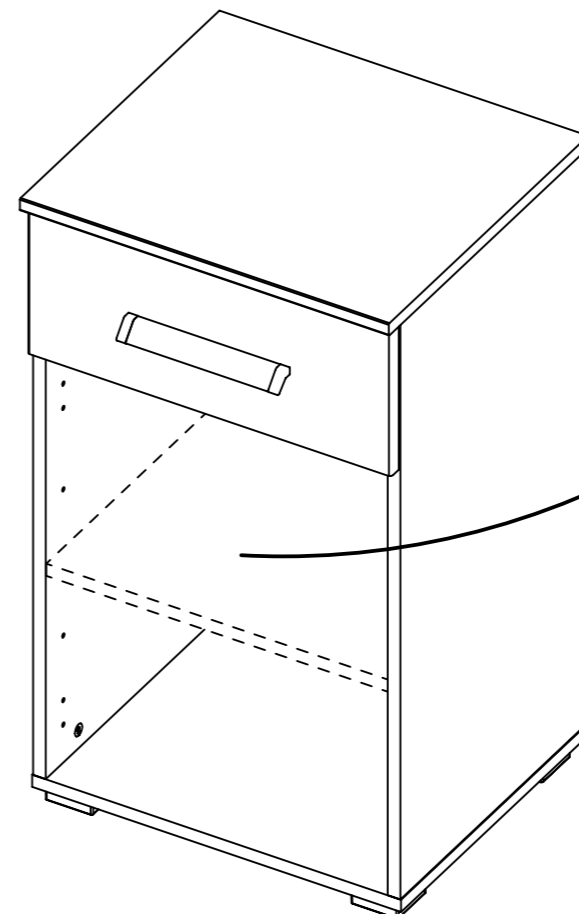
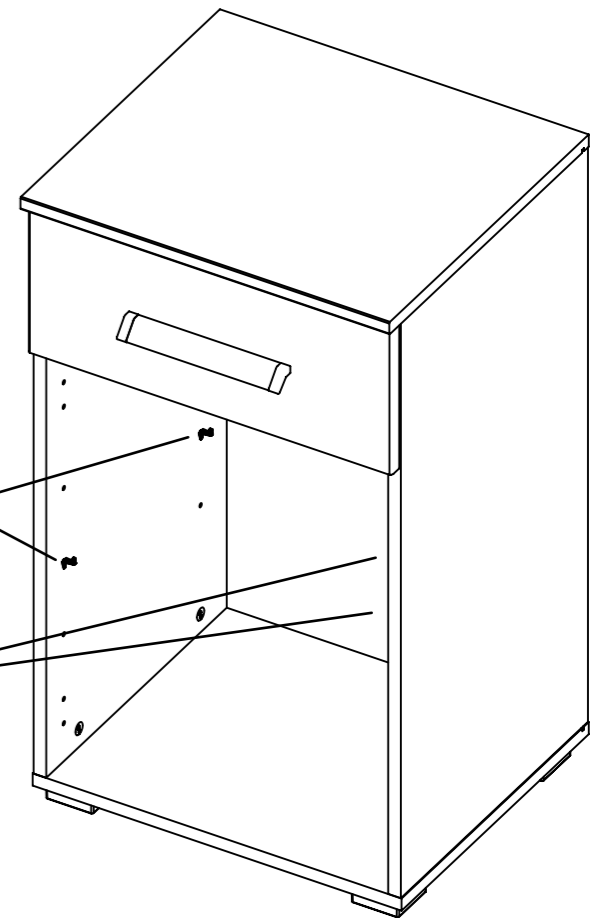
4x 1105



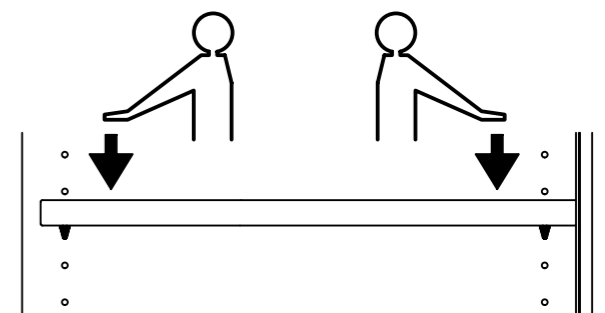
1105

1105

1105

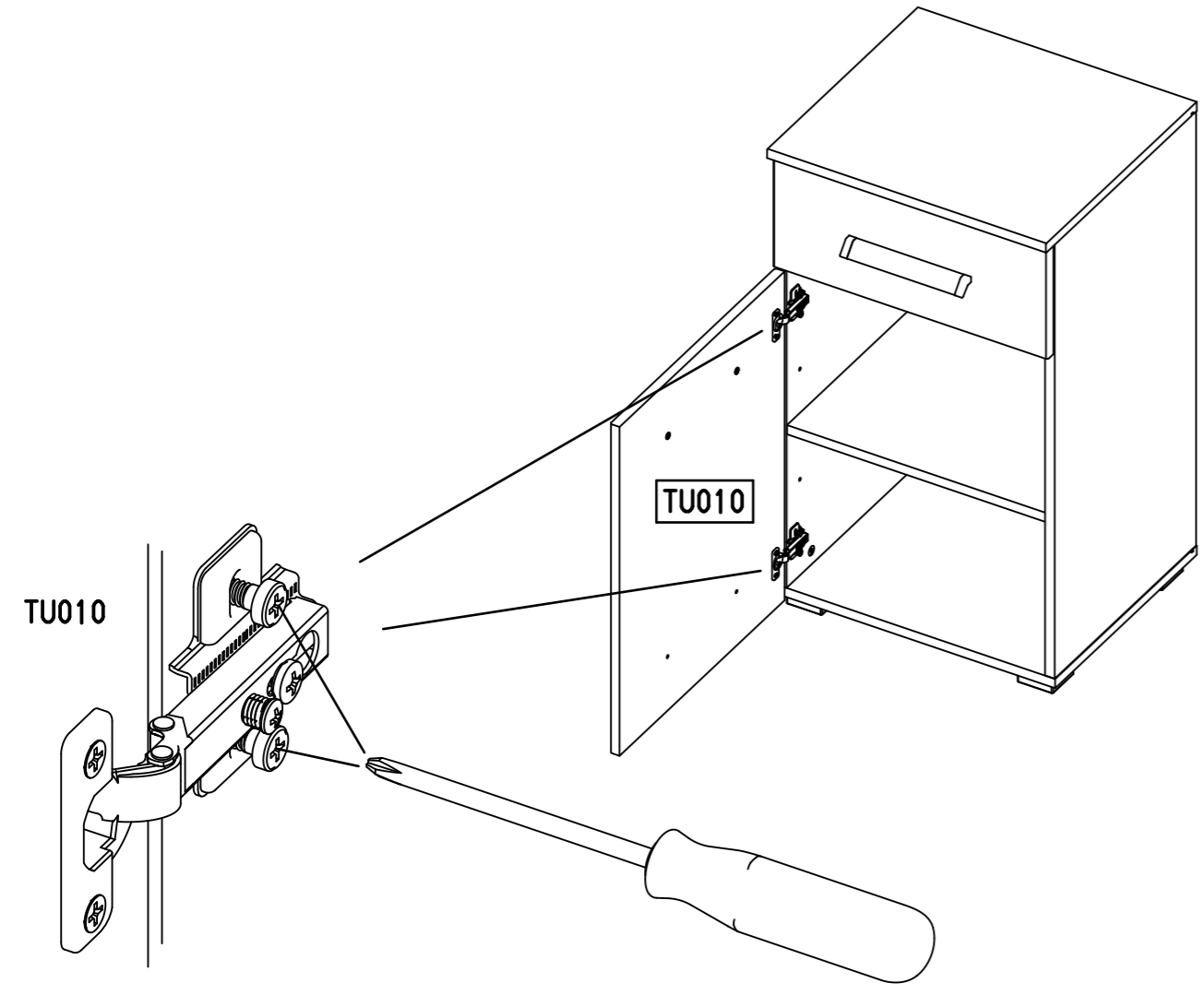
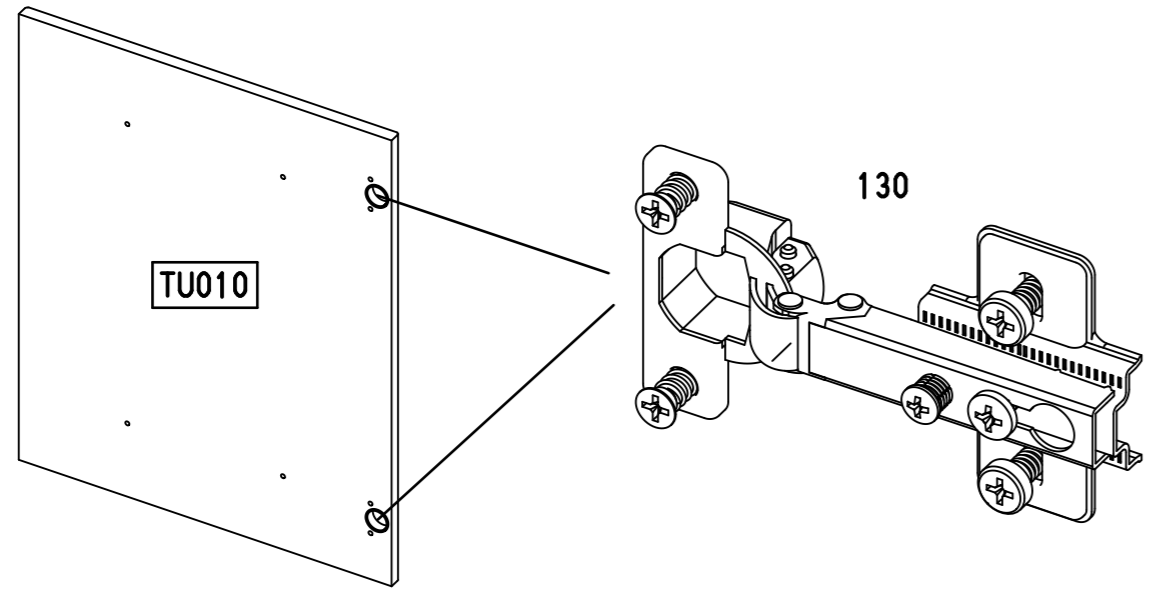
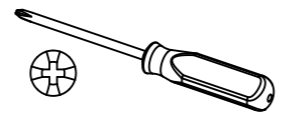
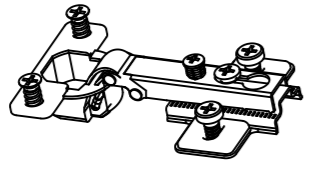


WA010



26

2x 130



27

