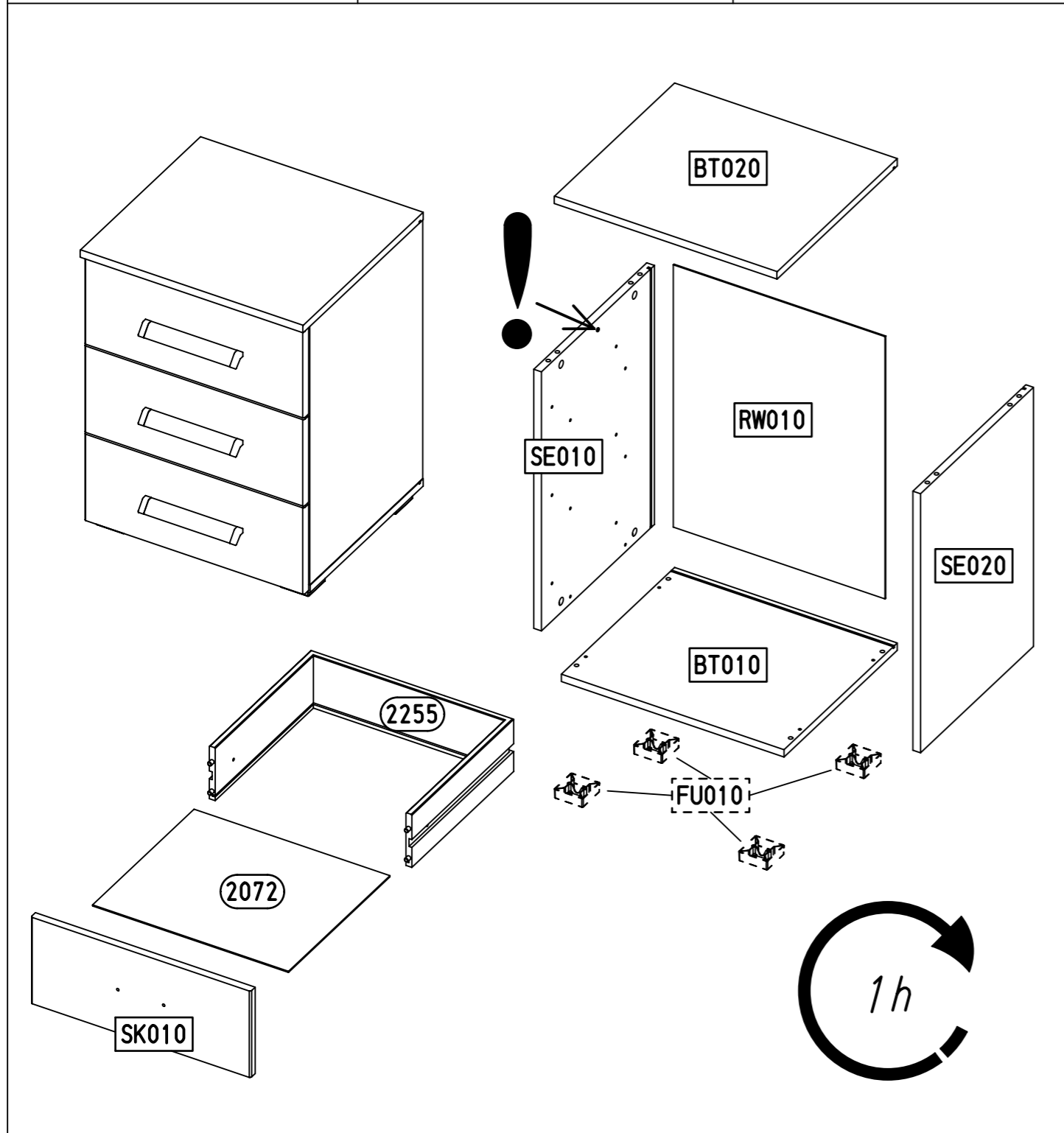
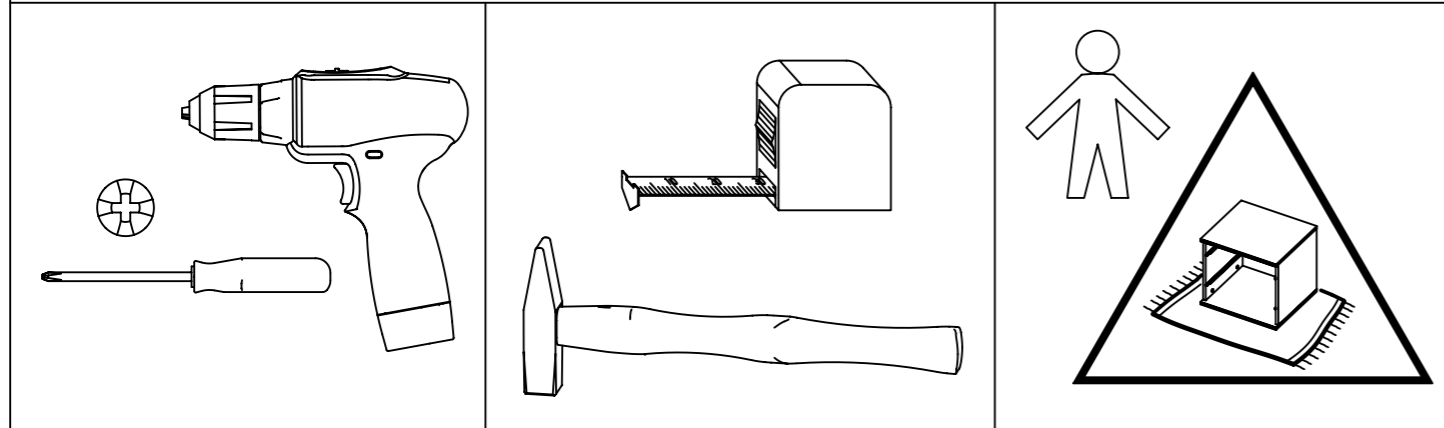


1.

M2141_05

rauch

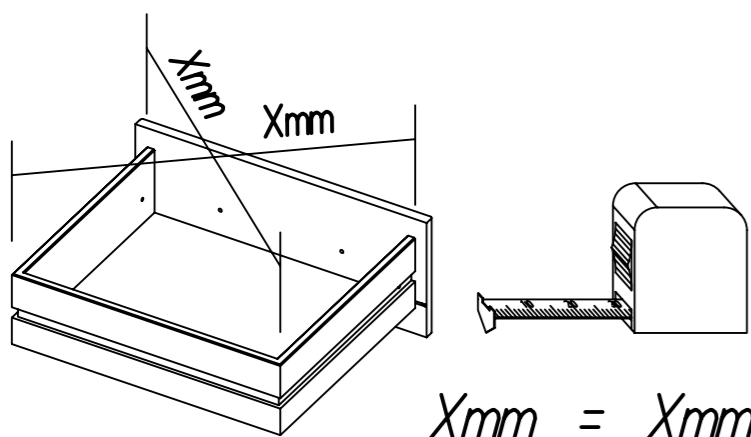
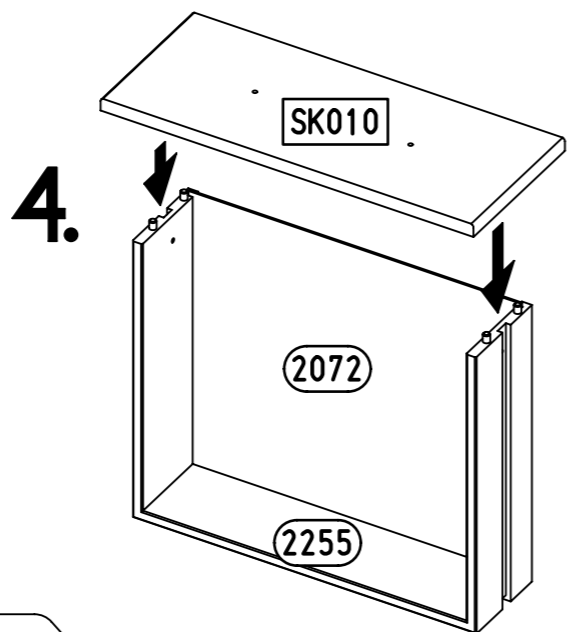
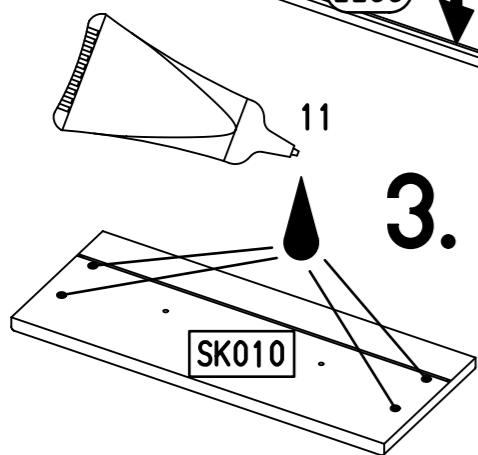
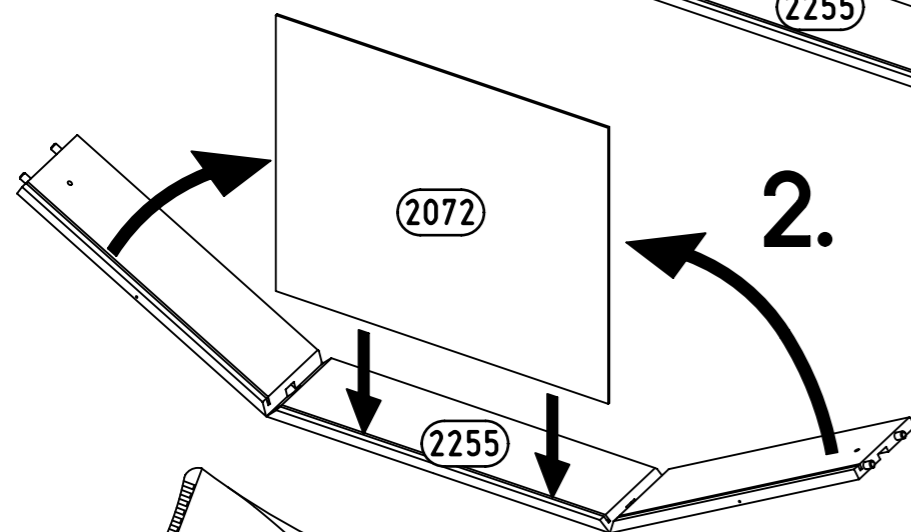
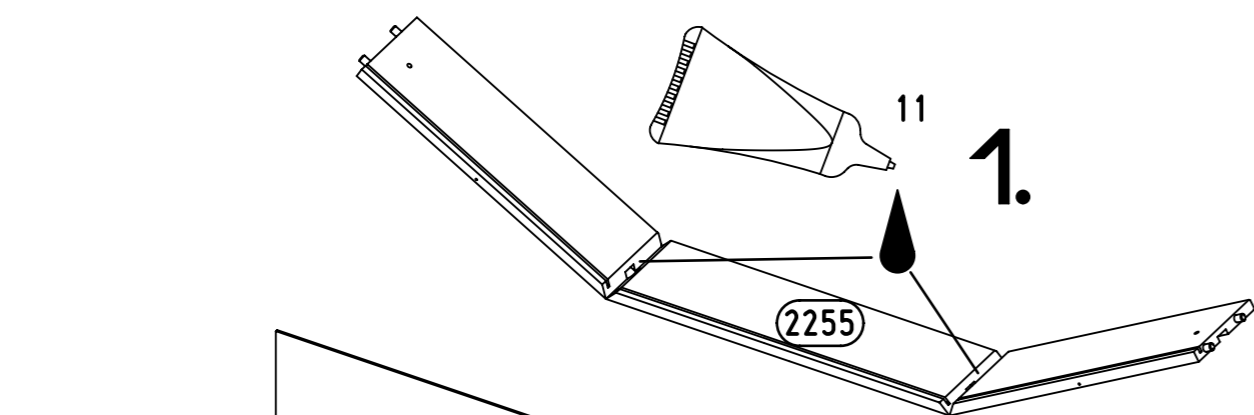
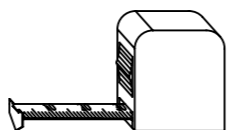
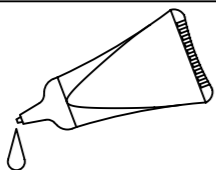


2.

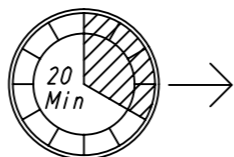
<p>1x (11)</p>	<p>8x (18)</p> <p>8x30</p>	<p>8x (183)</p> <p>23/10x7,5</p>	<p>12x (227)</p> <p>6x10,5</p>
<p>6x (251)</p> <p>328x17x9,5</p>	<p>8x (349)</p>	<p>6x (568)</p> <p>M4x9</p>	
<p>6x (1000)</p>	<p>6x (1001)</p>	<p>24x (1002)</p> <p>3,5x20</p>	
<p>12x (1003)</p> <p>6x12</p>	<p>4x (1090)</p>		

1

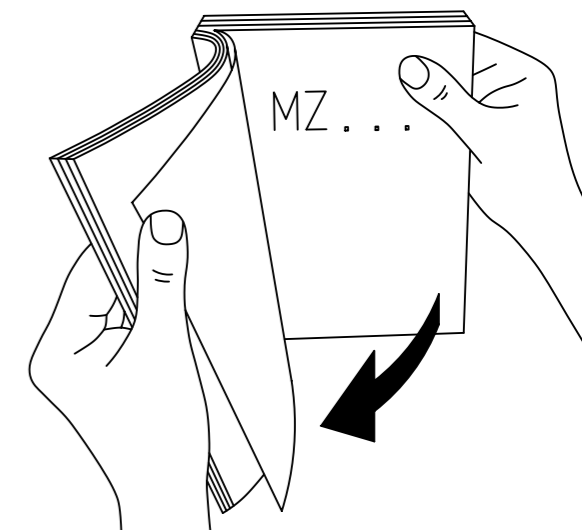
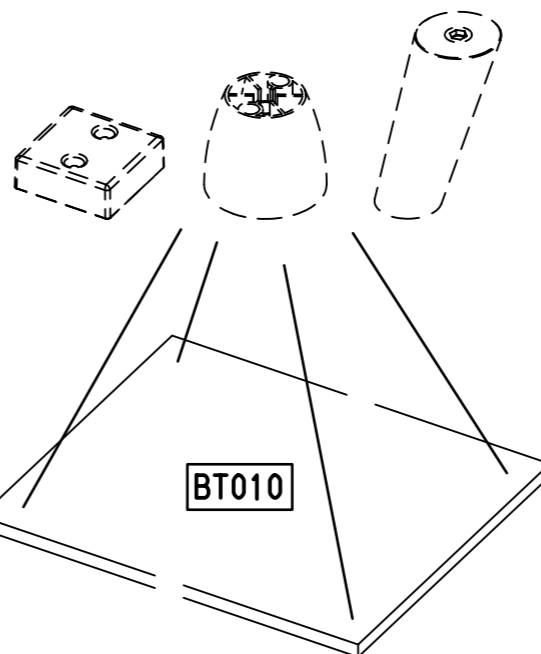
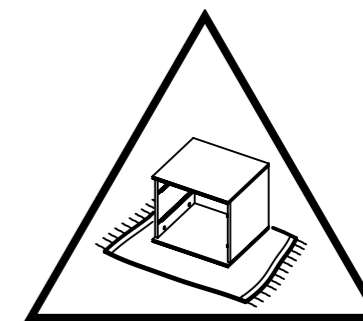
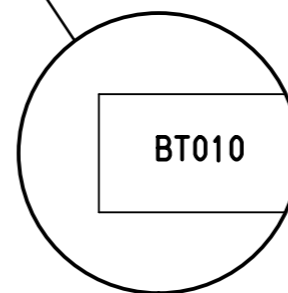
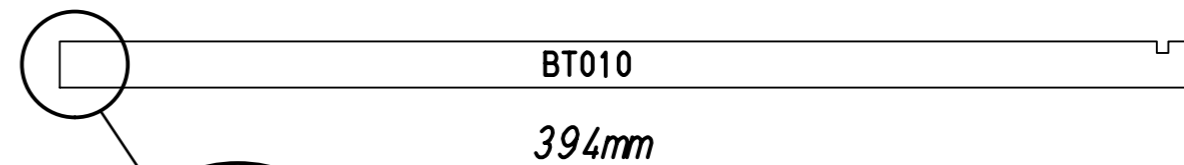
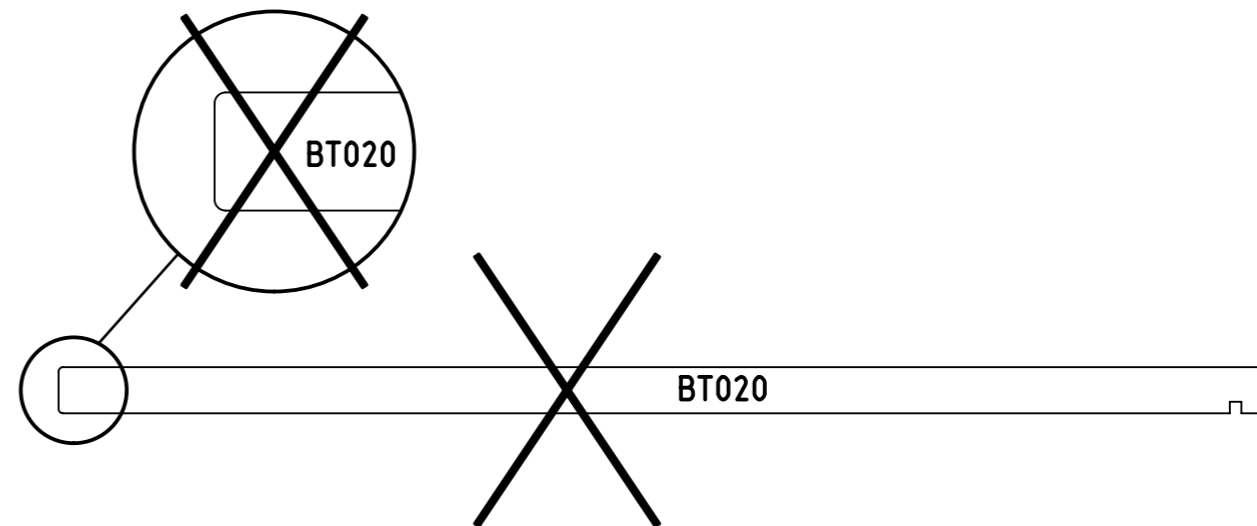
1x 11



Xmm = Xmm



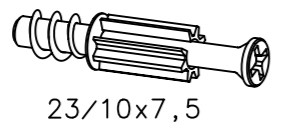
2



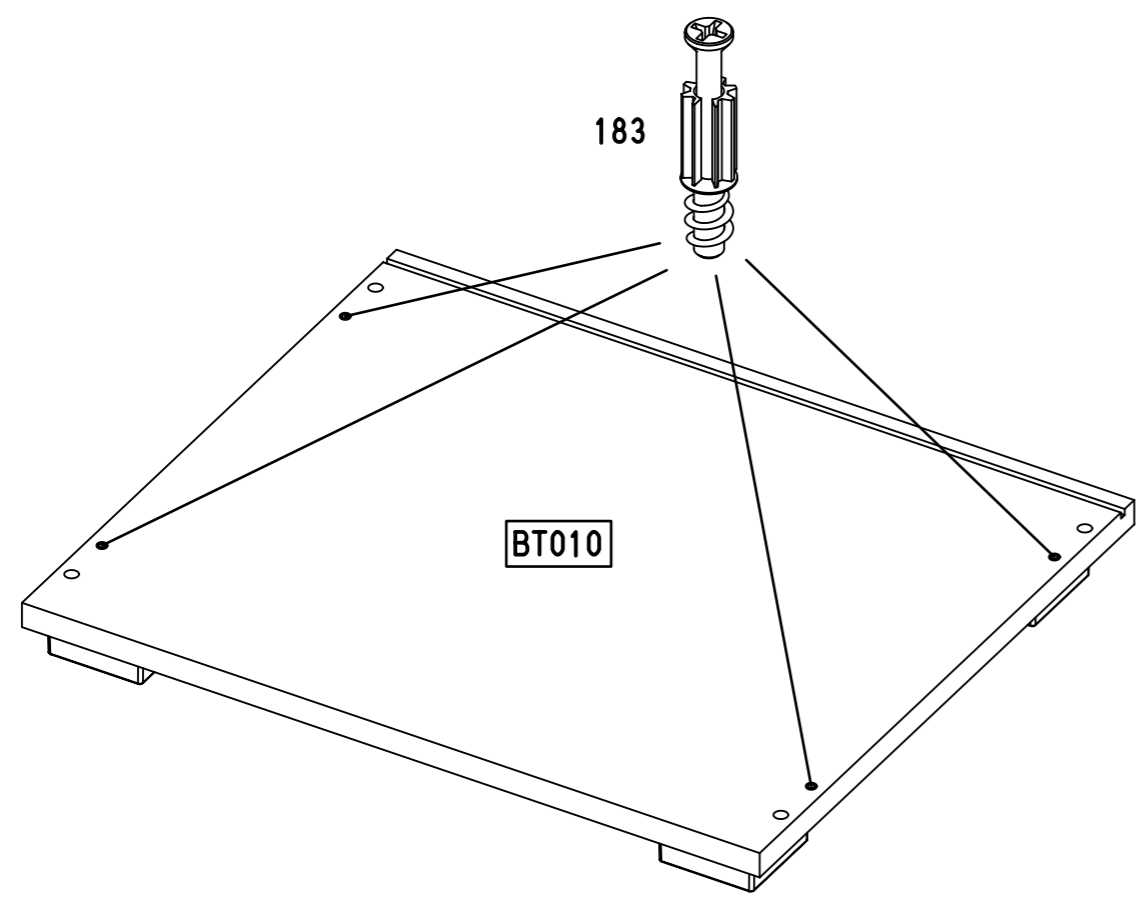
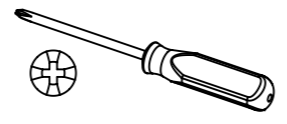
5.

3

4x 183



23/10x7,5



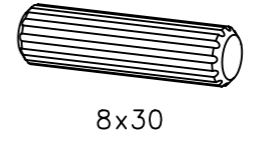
BT010

M2141

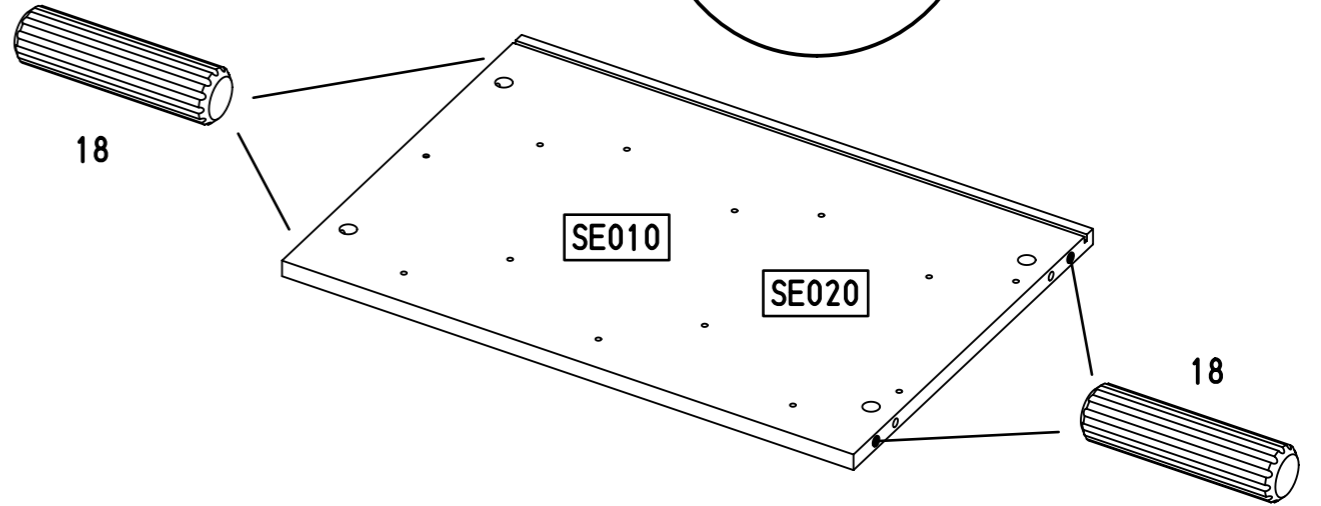
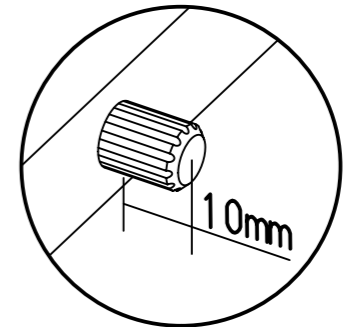
6.

4

8x 18



8x30

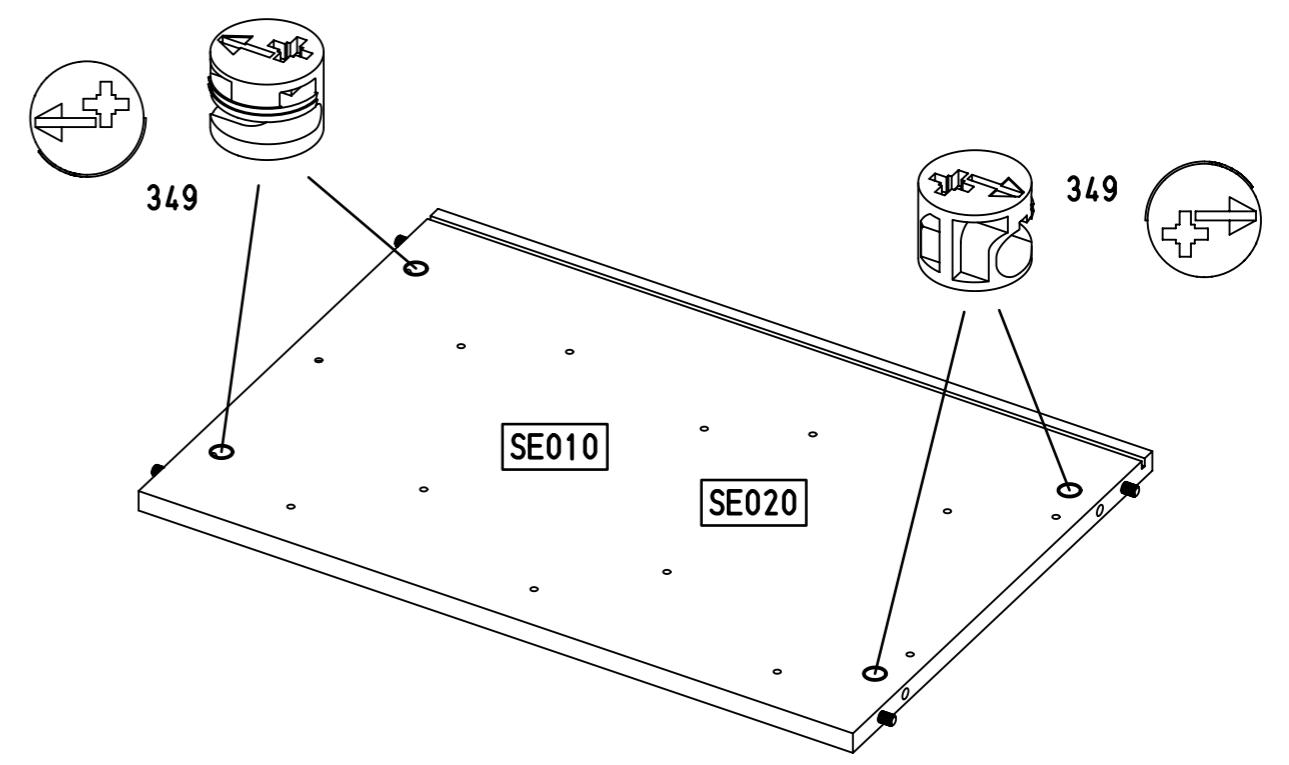
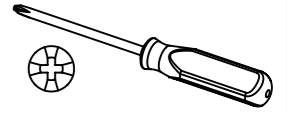
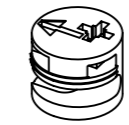


SE010

SE020

5

8x 349



SE010

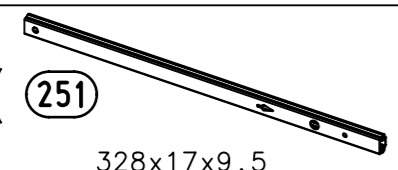
SE020

M2141

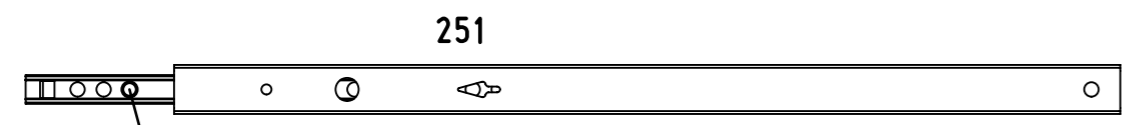
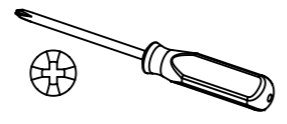
7.

6

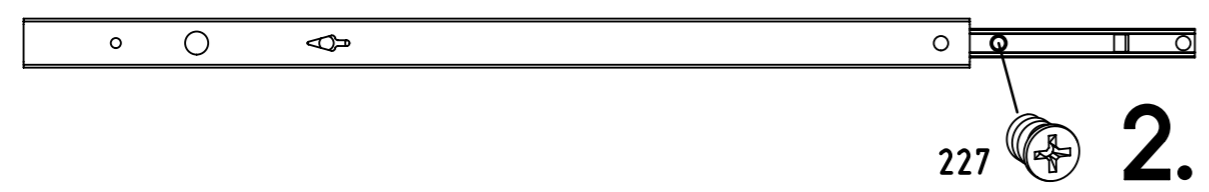
3x (251)
328x17x9,5



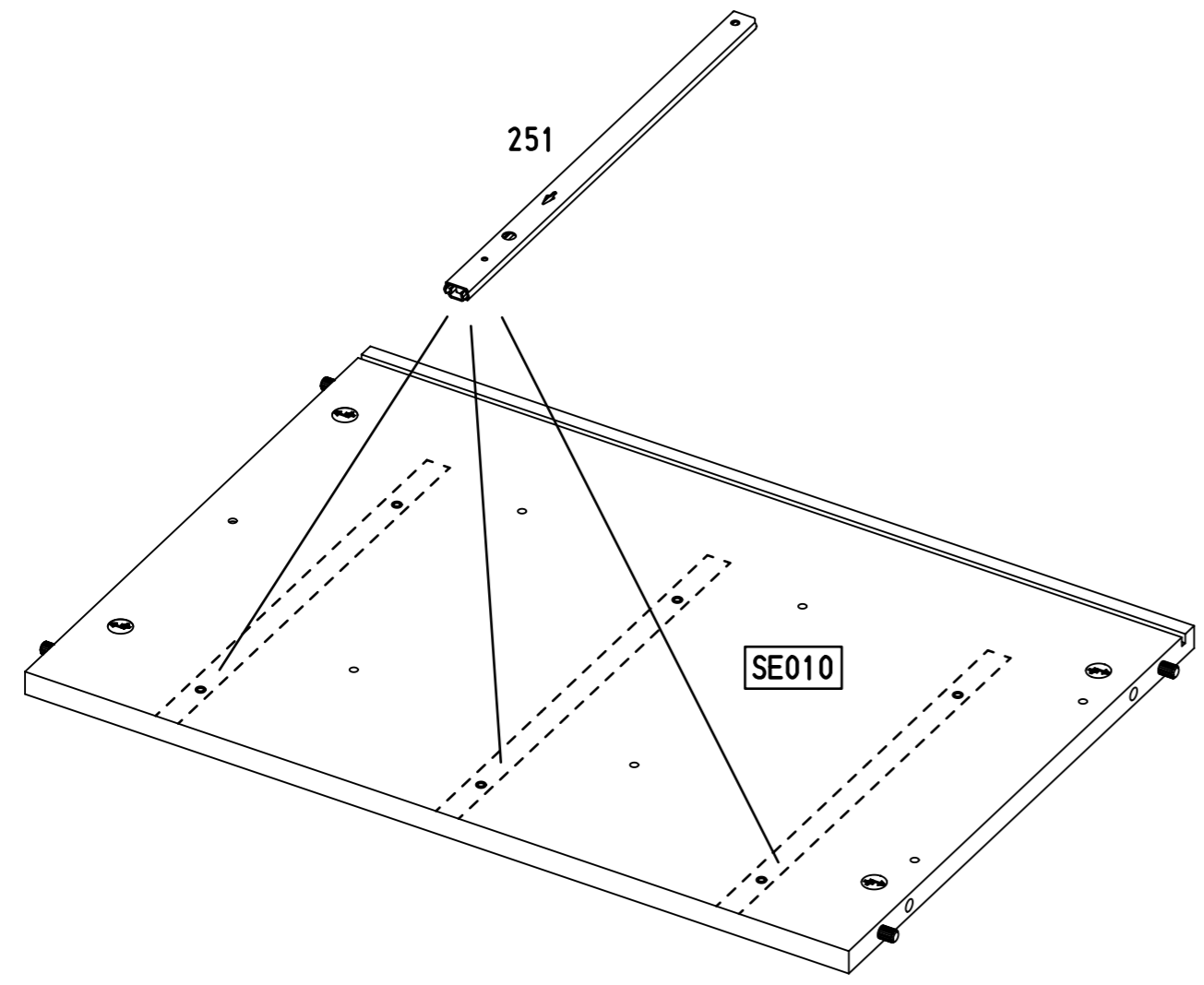
6x (227)
6x10,5



1. (227)



2. (227)



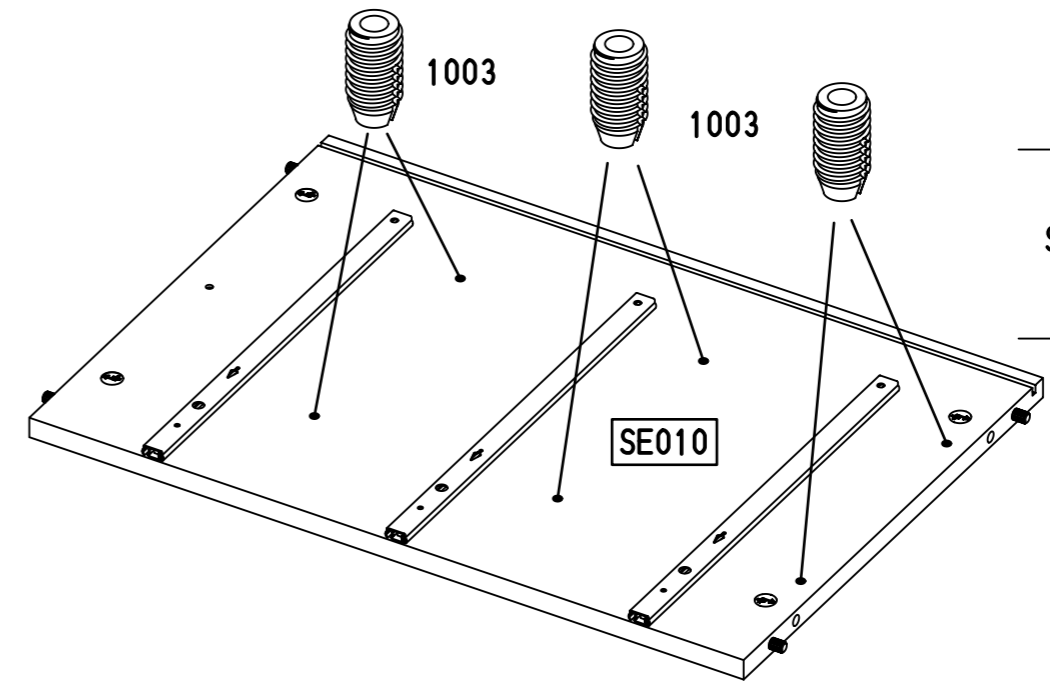
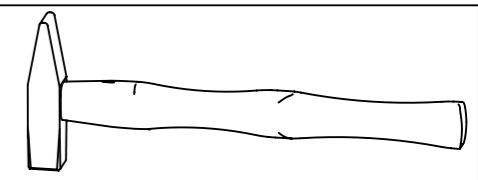
251

SE010

8.

7

6x (1003)
6x12

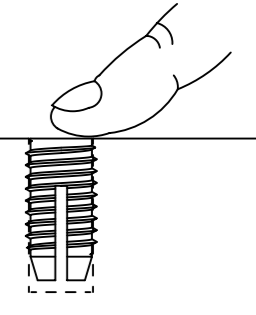


1003

1003

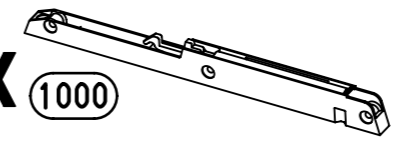
SE010

SE010

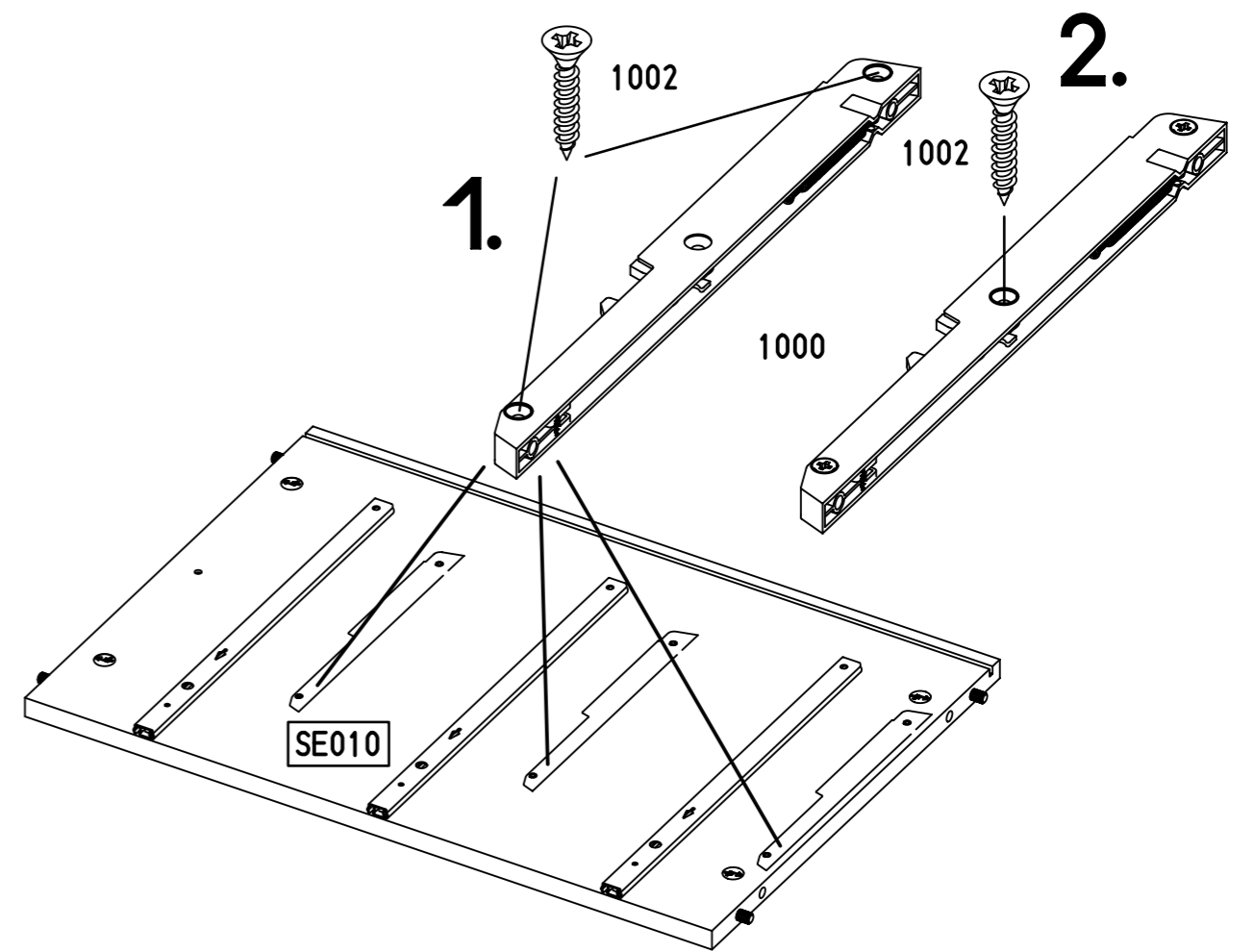
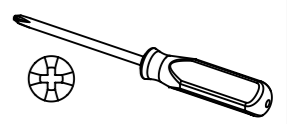
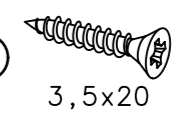


8

3x (1000)



9x (1002)
3,5x20



1.

1002

1002

1000

SE010

2.

9.

9

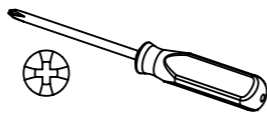
3x (251)

328x17x9,5

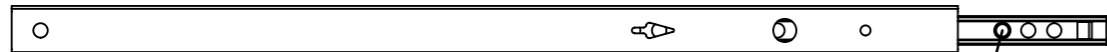


6x (227)

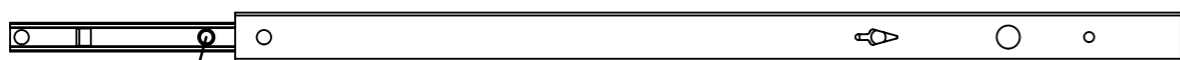
6x10,5



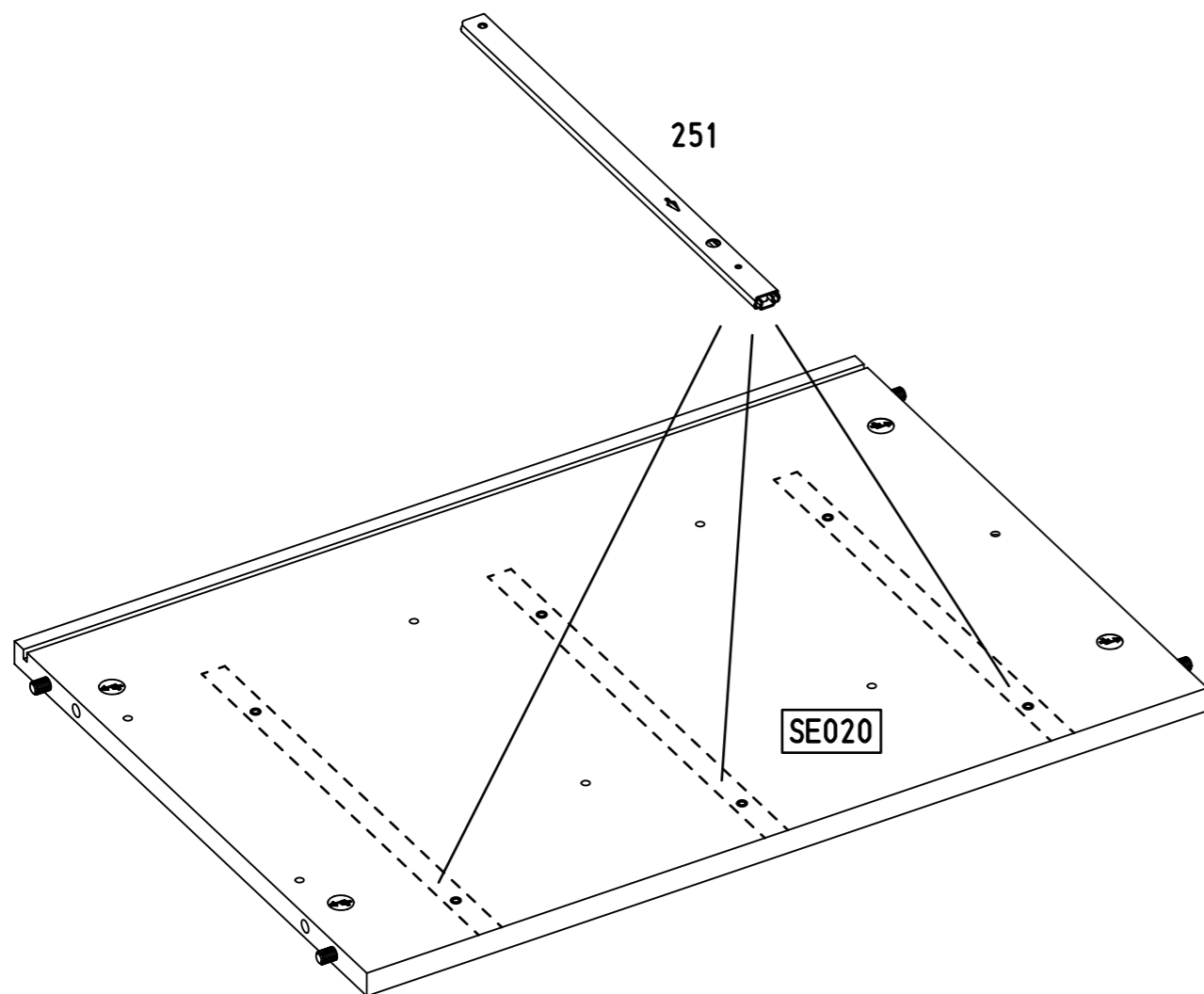
251



227 1.



227 2.

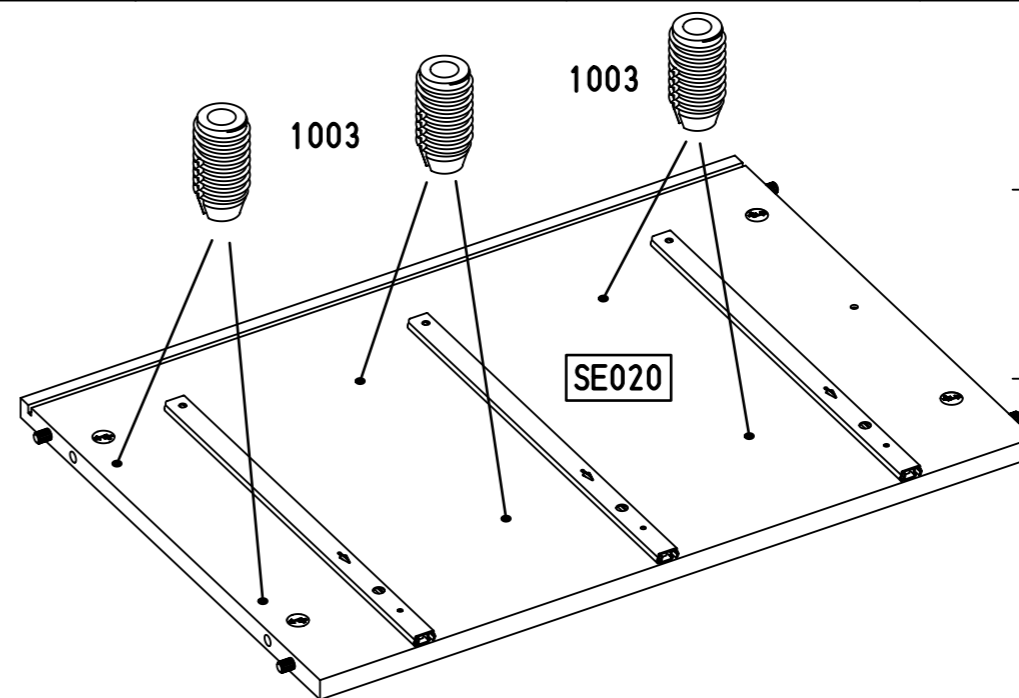
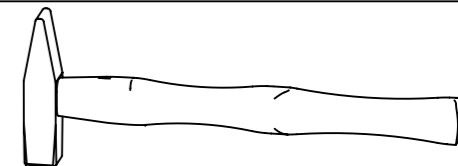


10.

10

6x (1003)

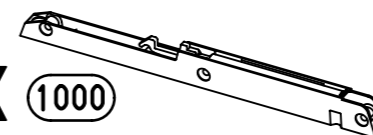
6x12



SE020

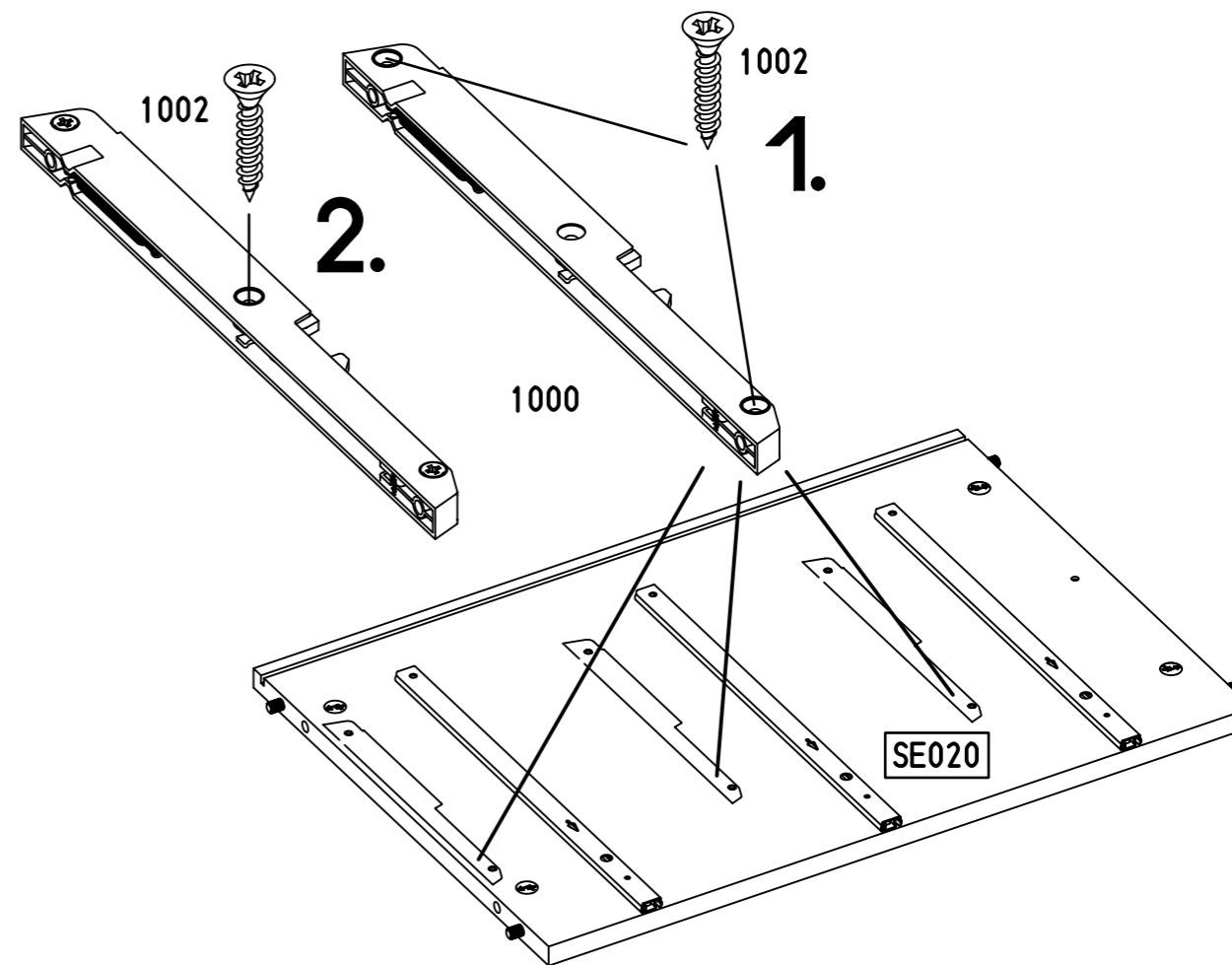
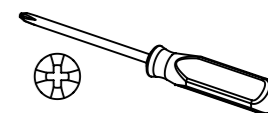
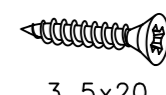
11

3x (1000)



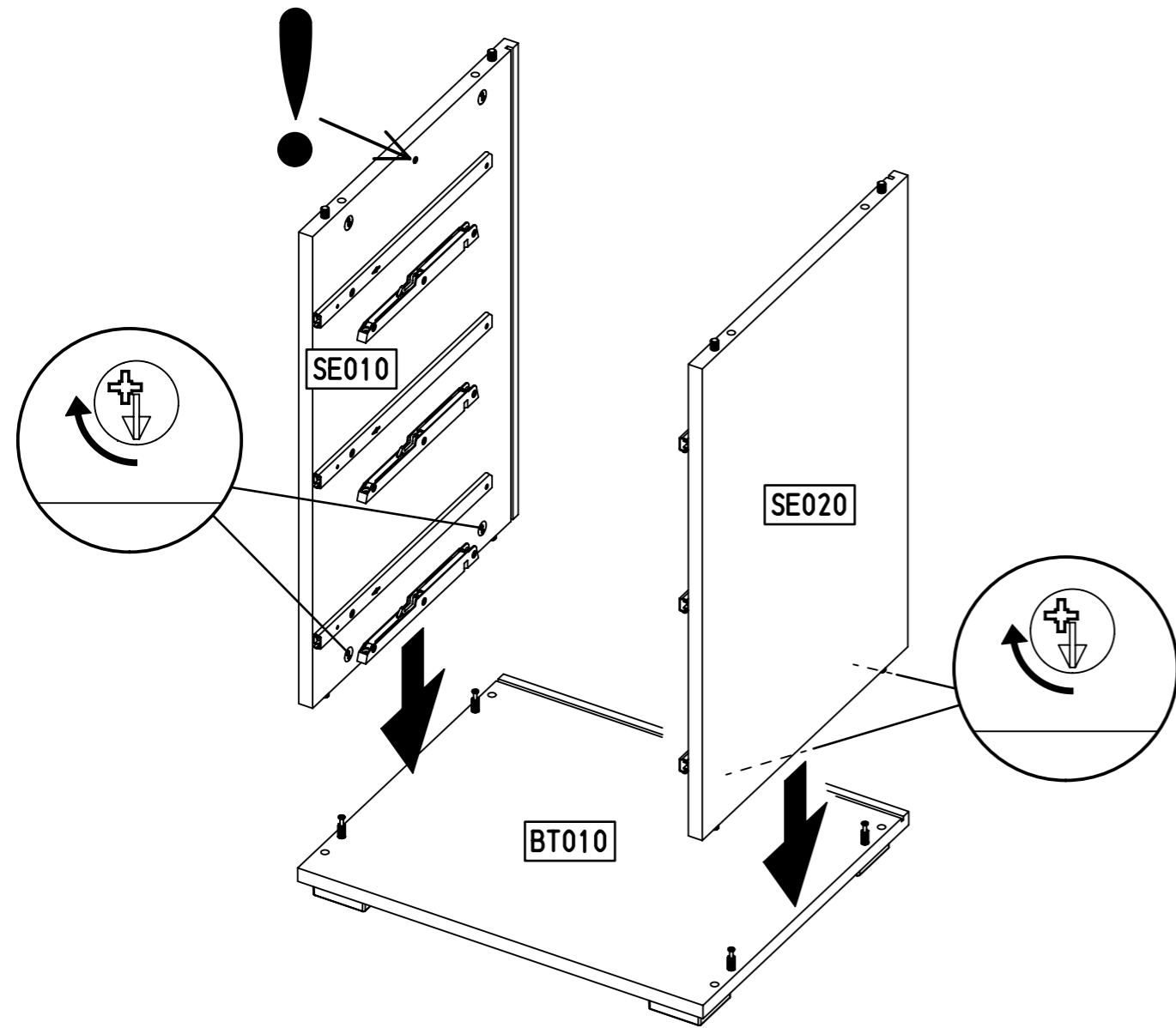
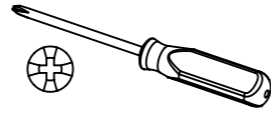
9x (1002)

3,5x20

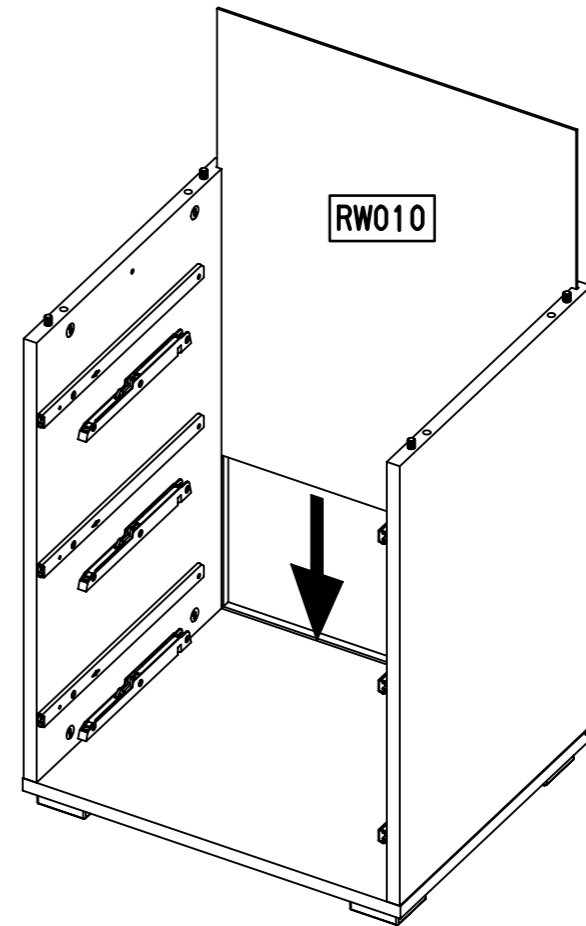


SE020

12

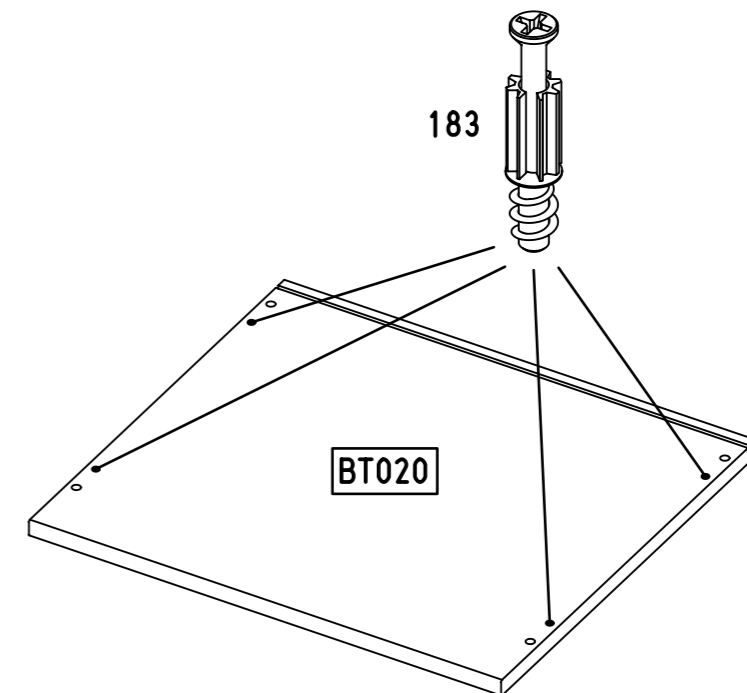
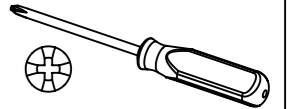
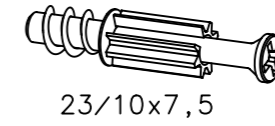


13

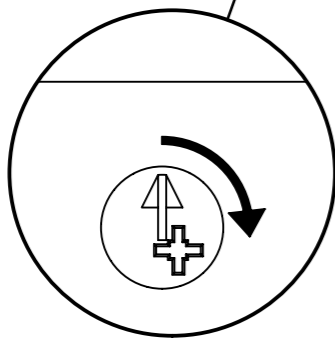
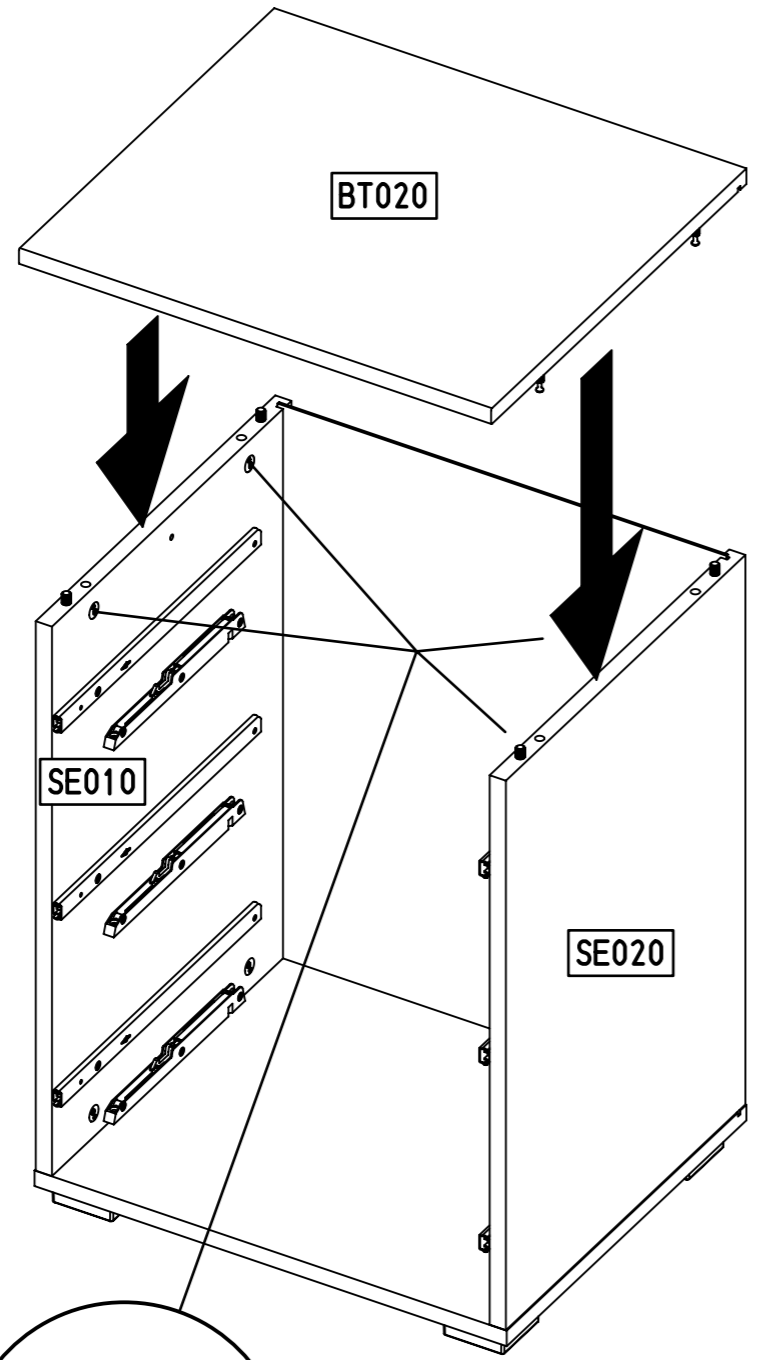
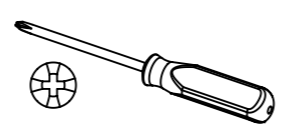


14

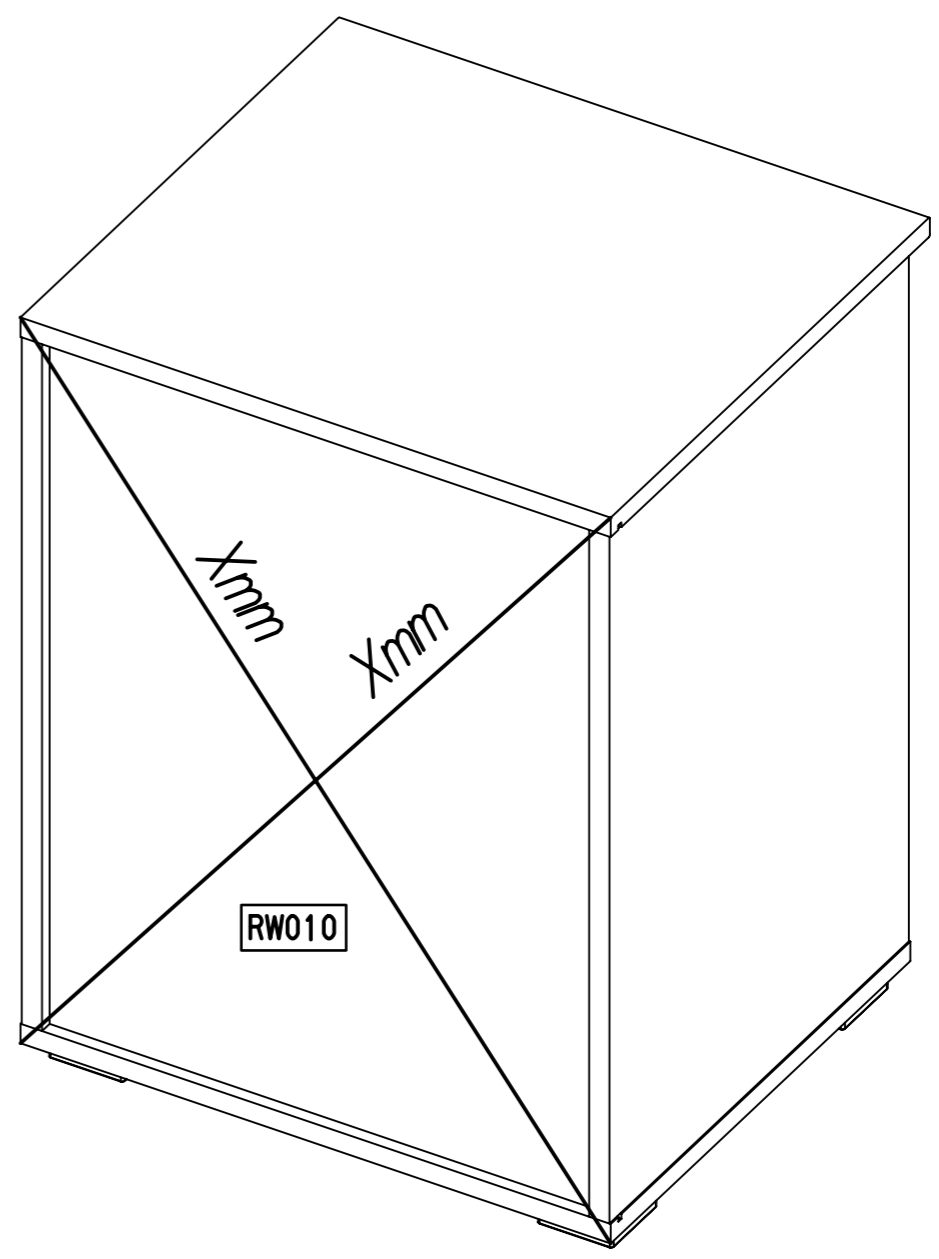
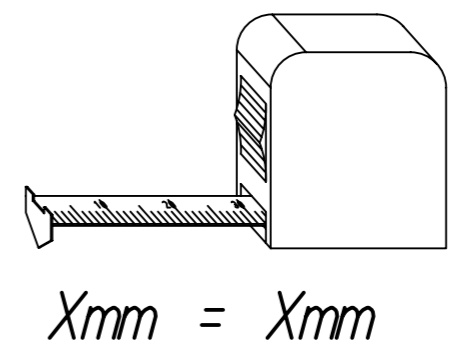
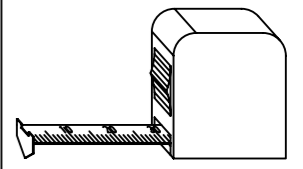
4x 183



15

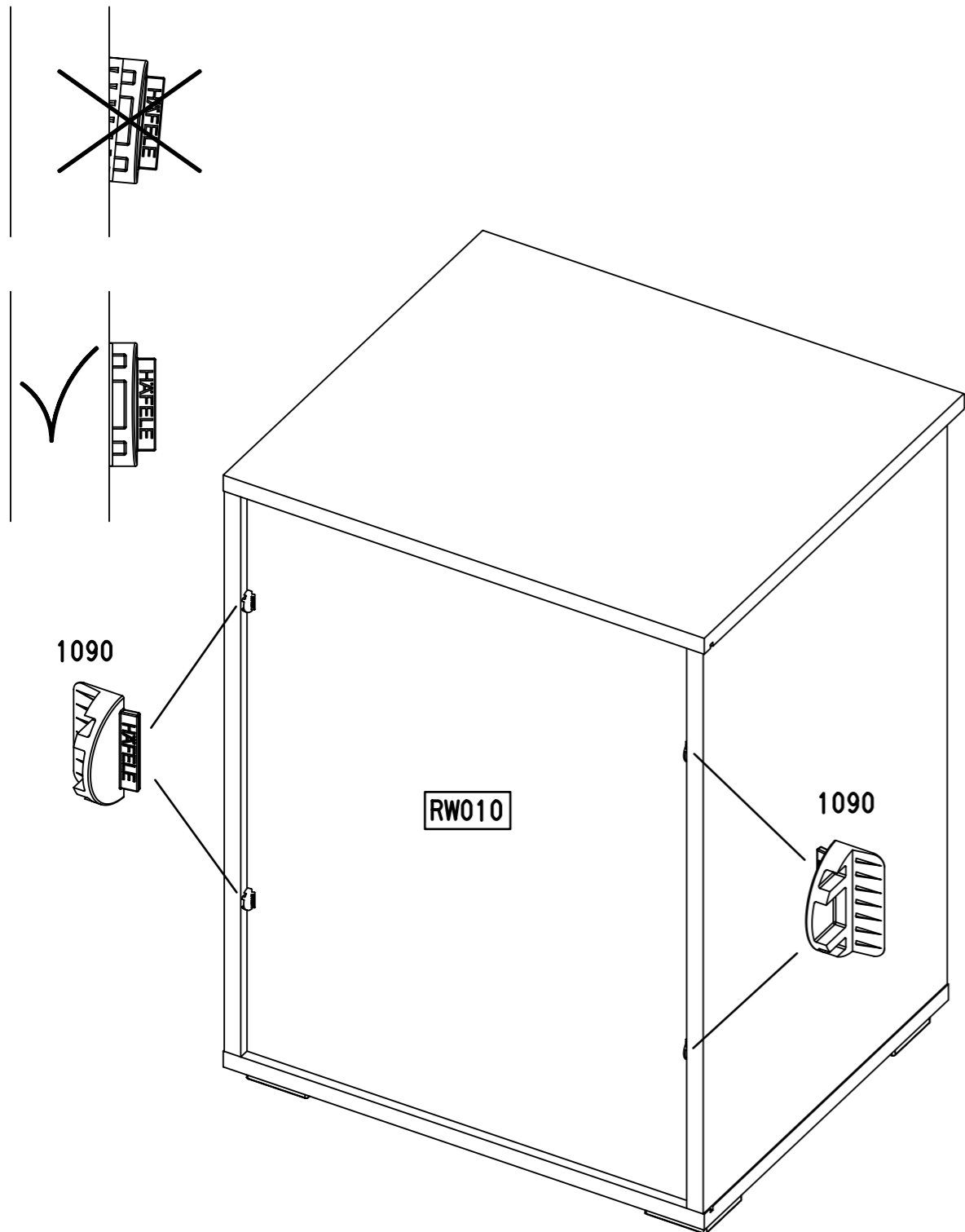
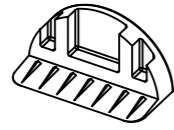


16

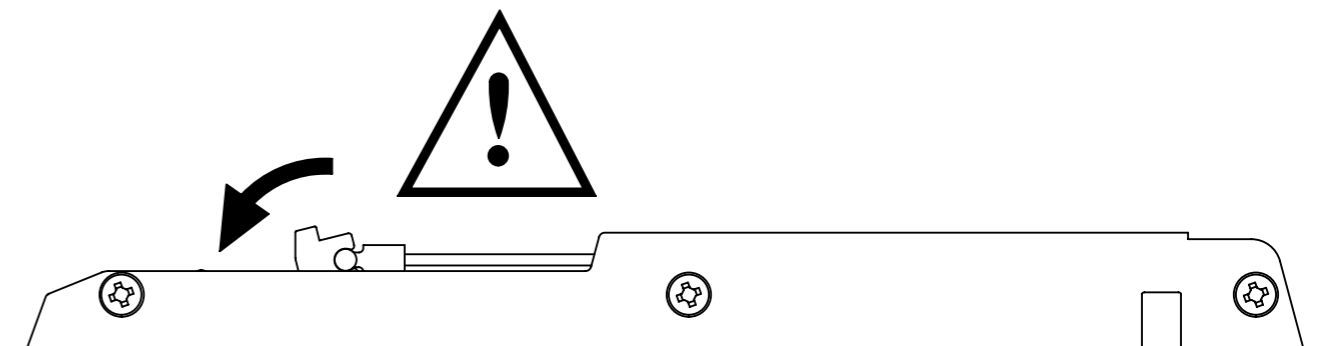
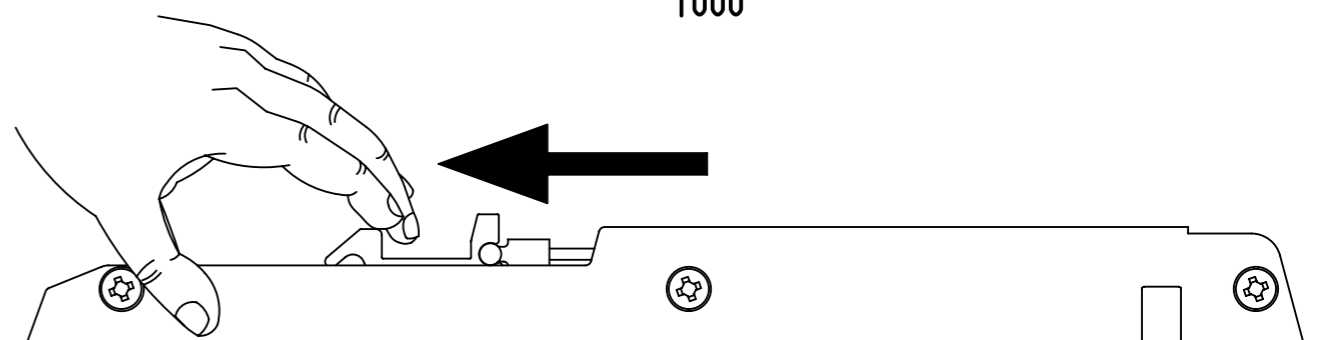
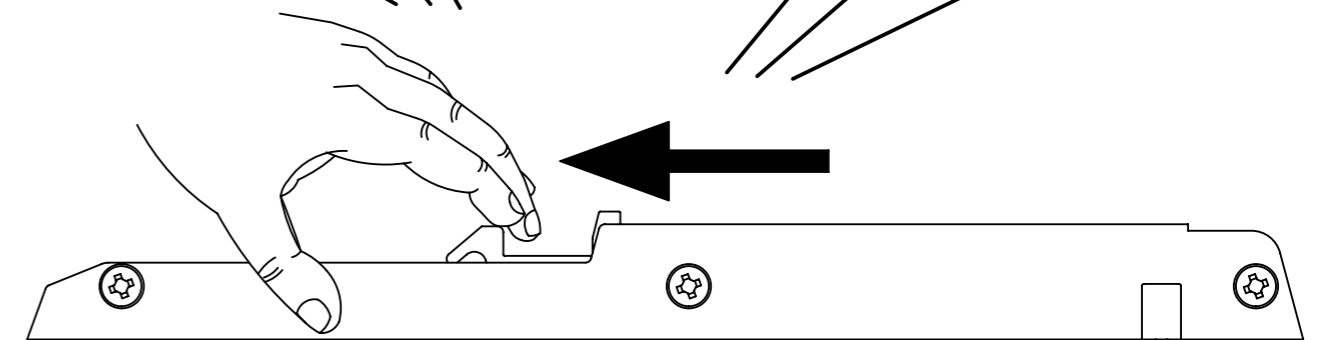
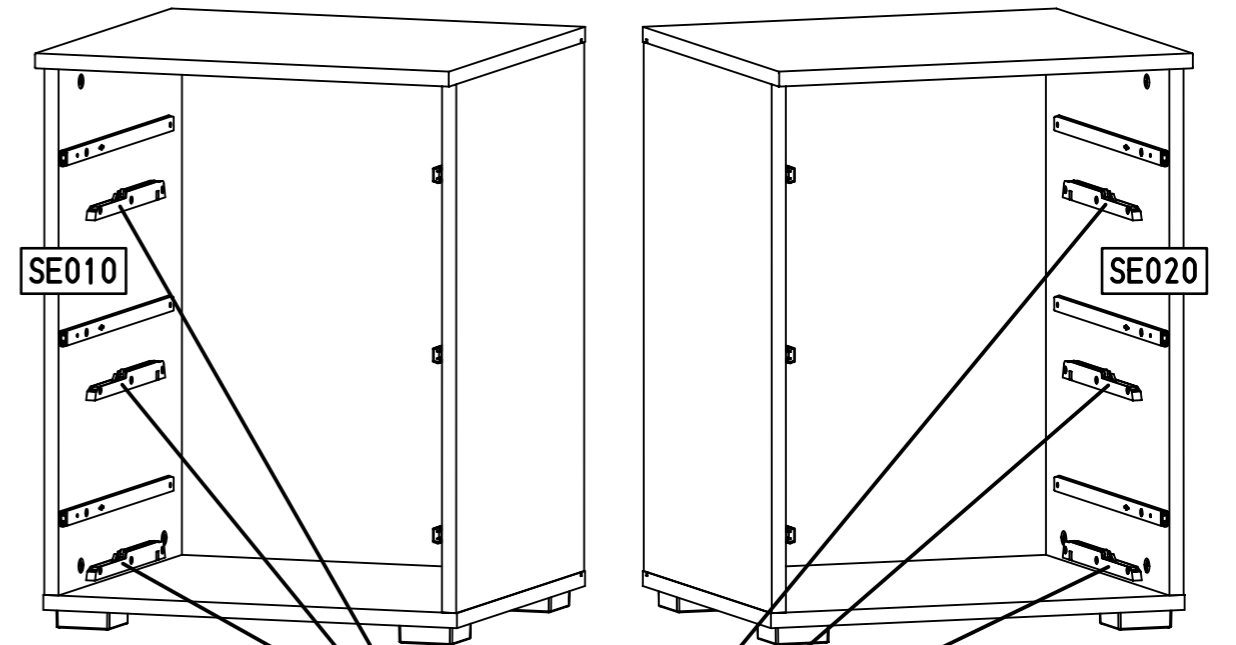


17

4x 1090

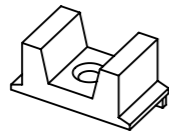


18

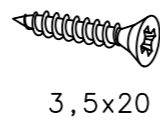


19

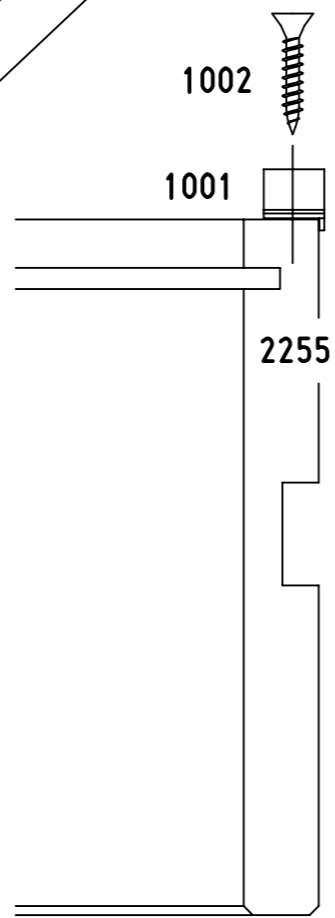
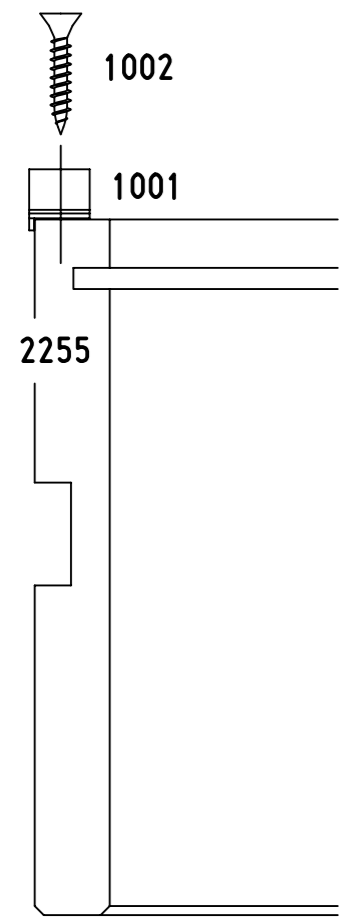
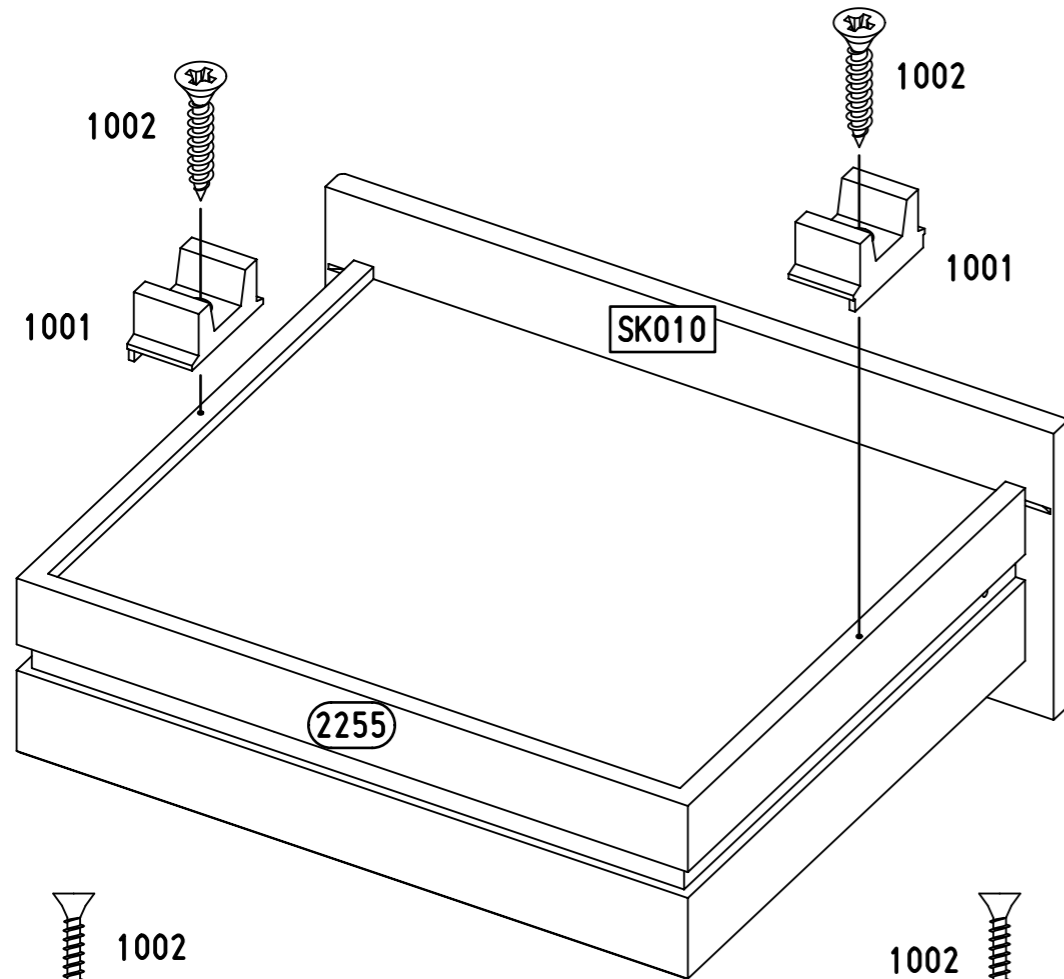
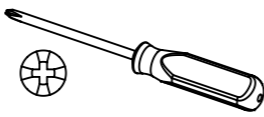
6x 1001



6x 1002



3,5x20



20

6x 568



M4x9

