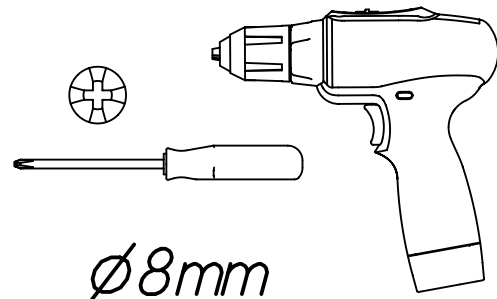


1.

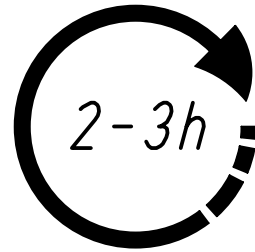
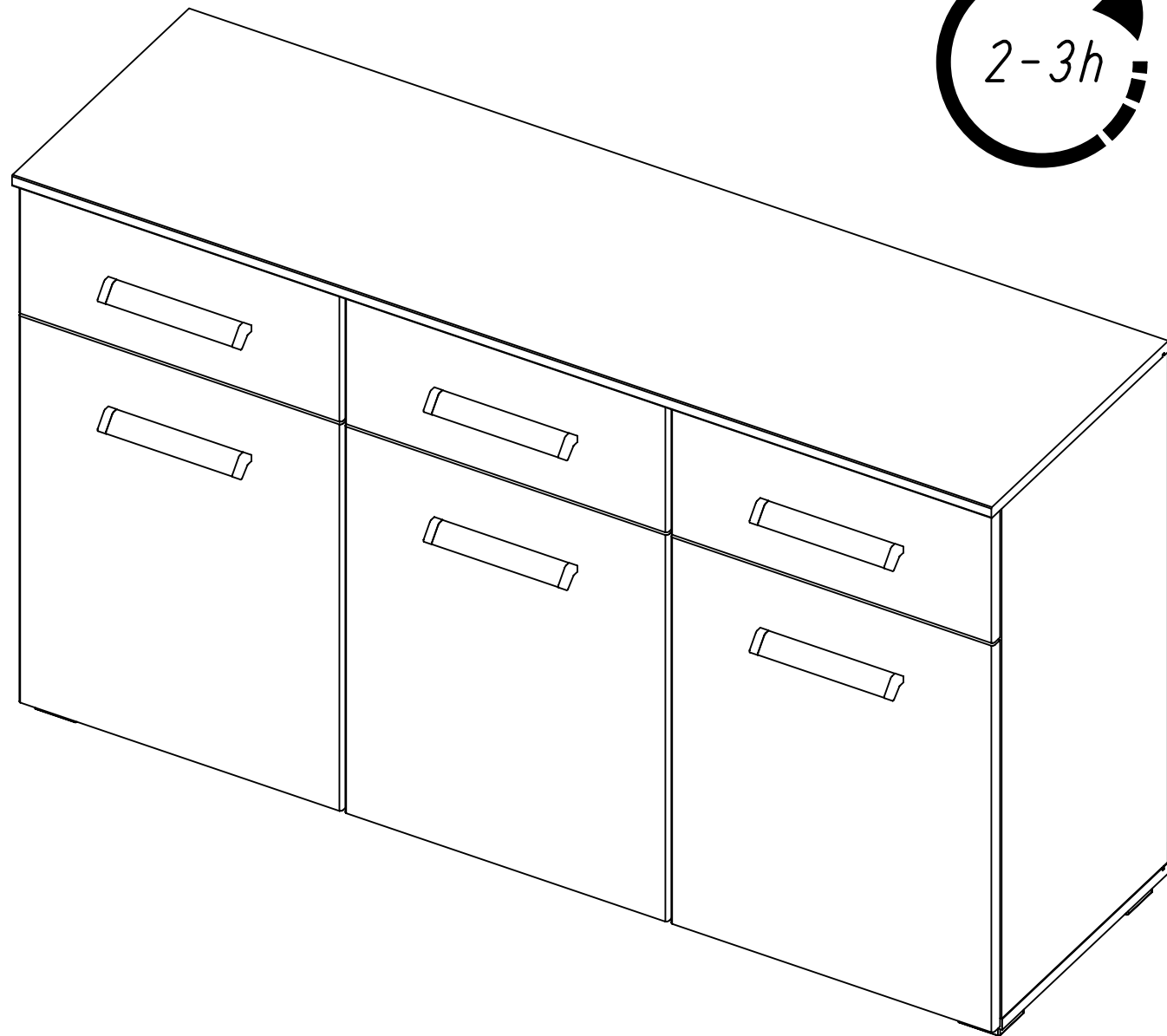
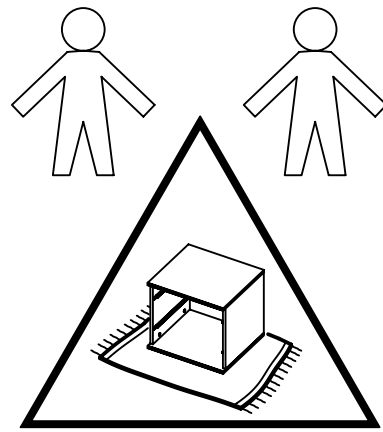
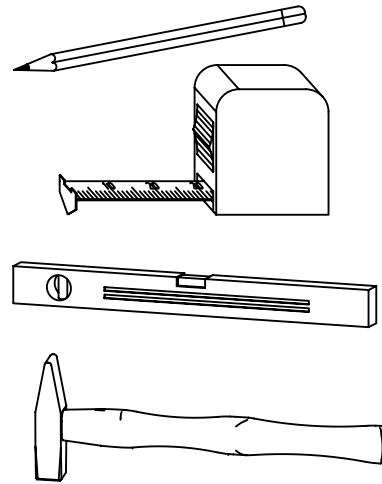
M2122\_03

rauch



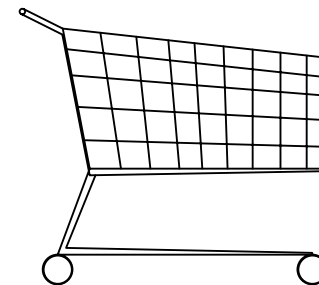
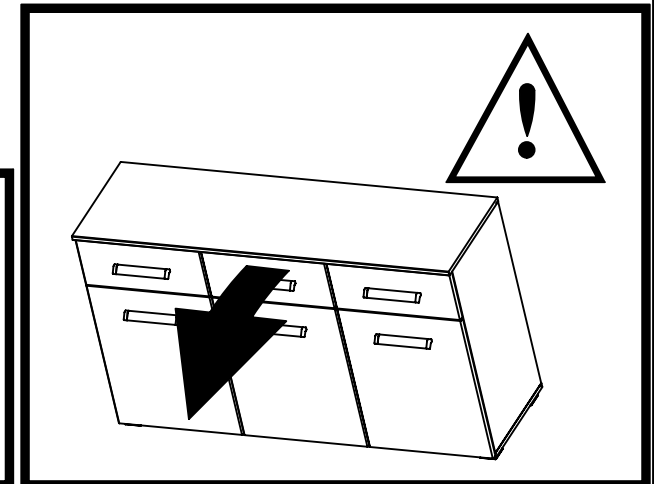
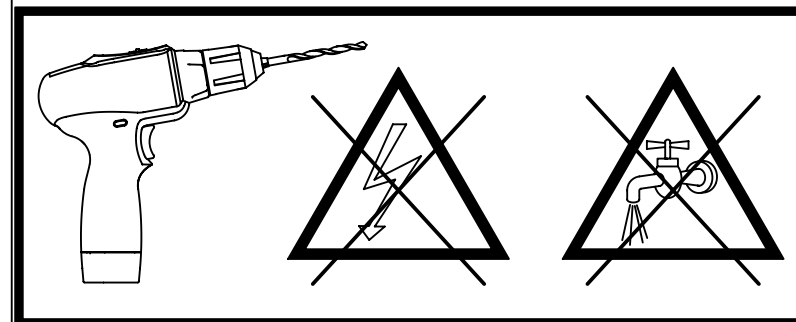
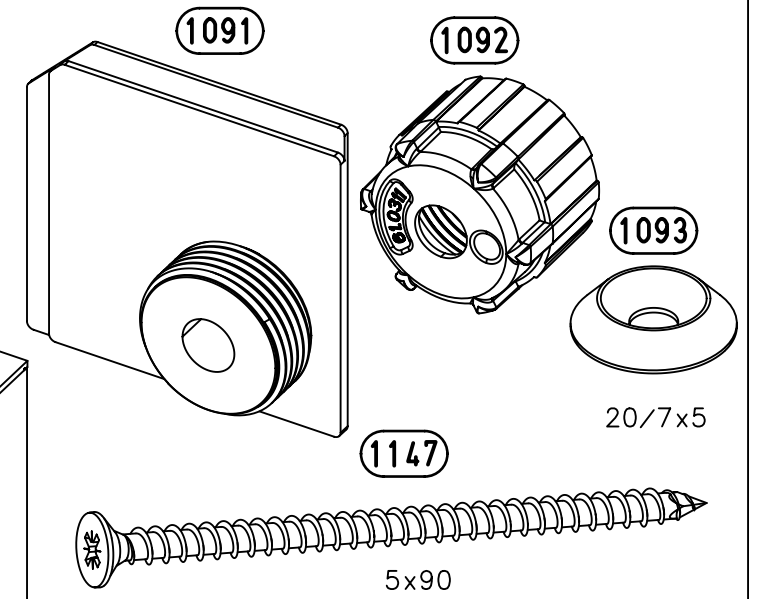
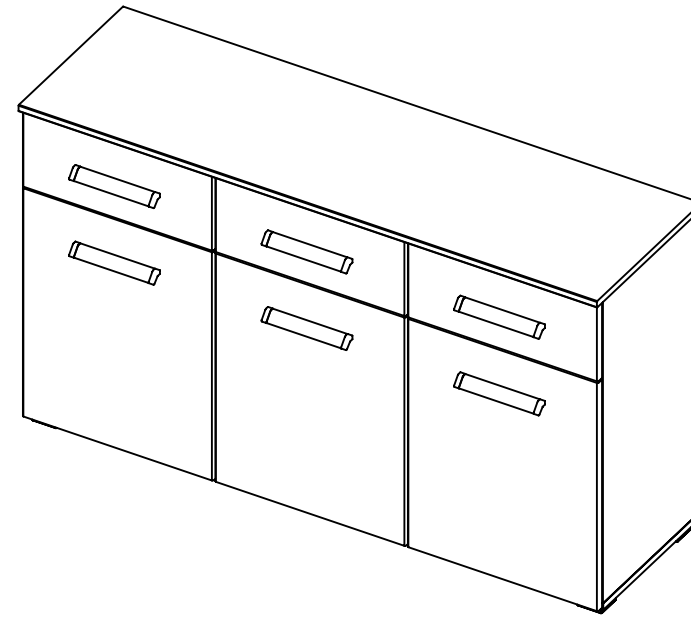
ø8mm

ø6mm

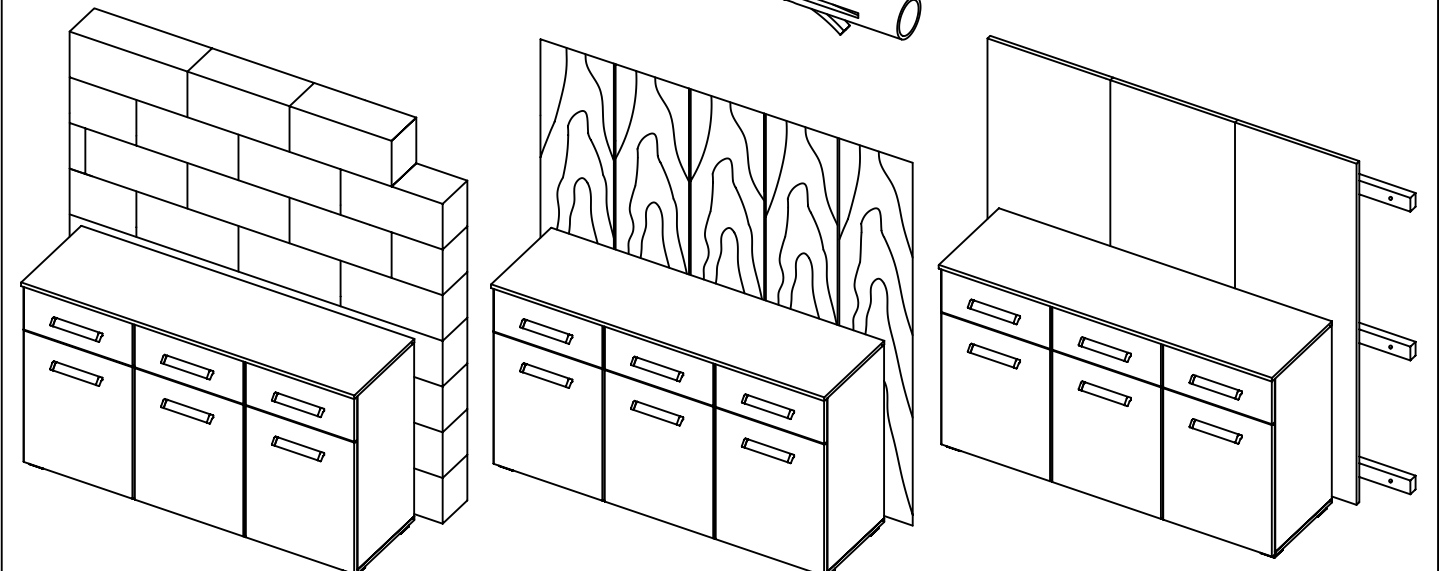
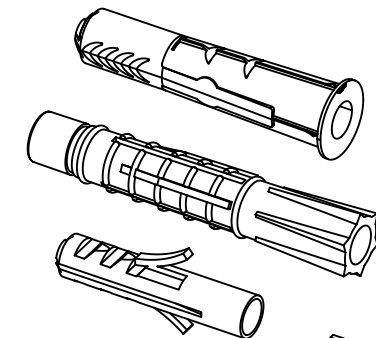


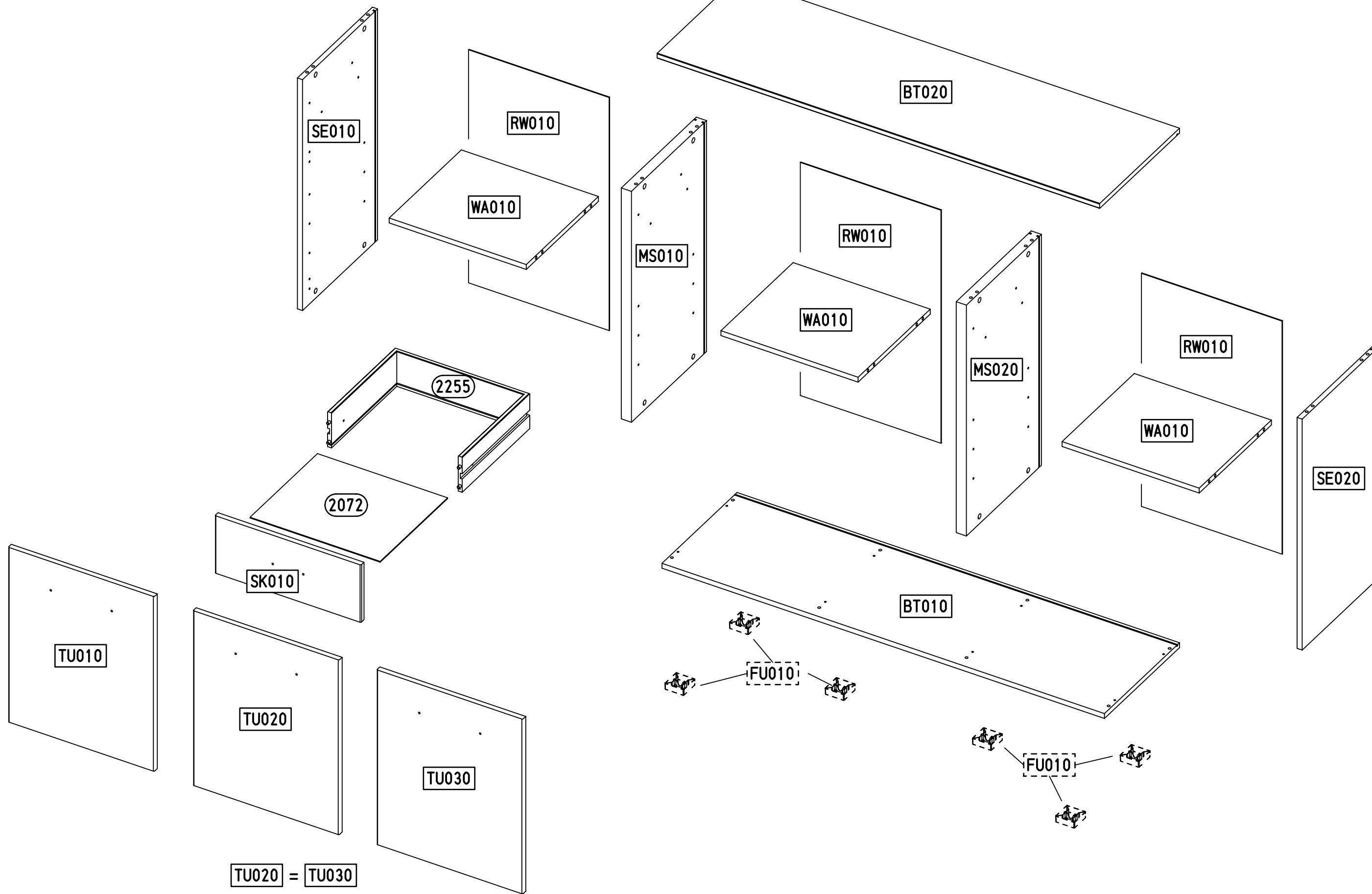
2.

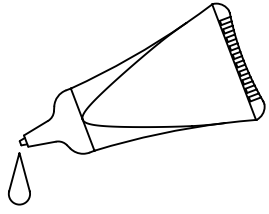
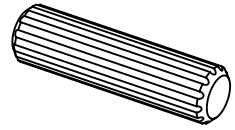
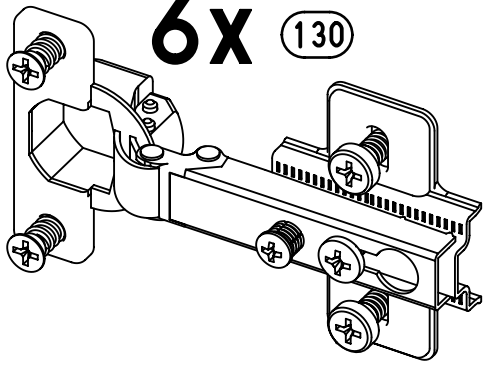
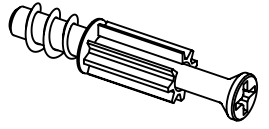

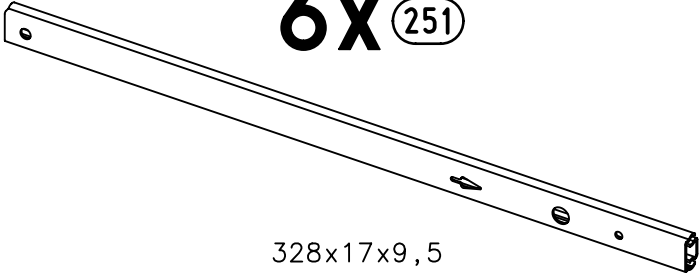


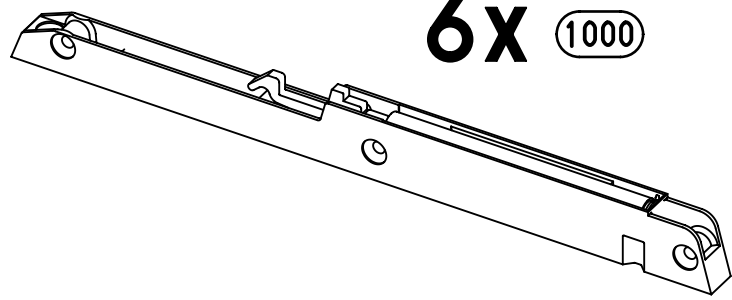
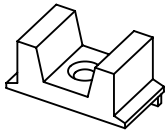
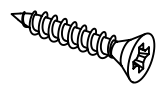
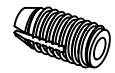
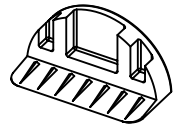
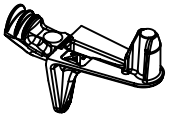
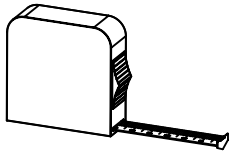
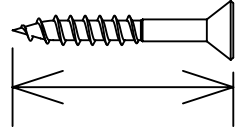
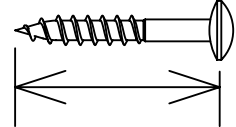
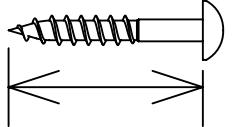
2x

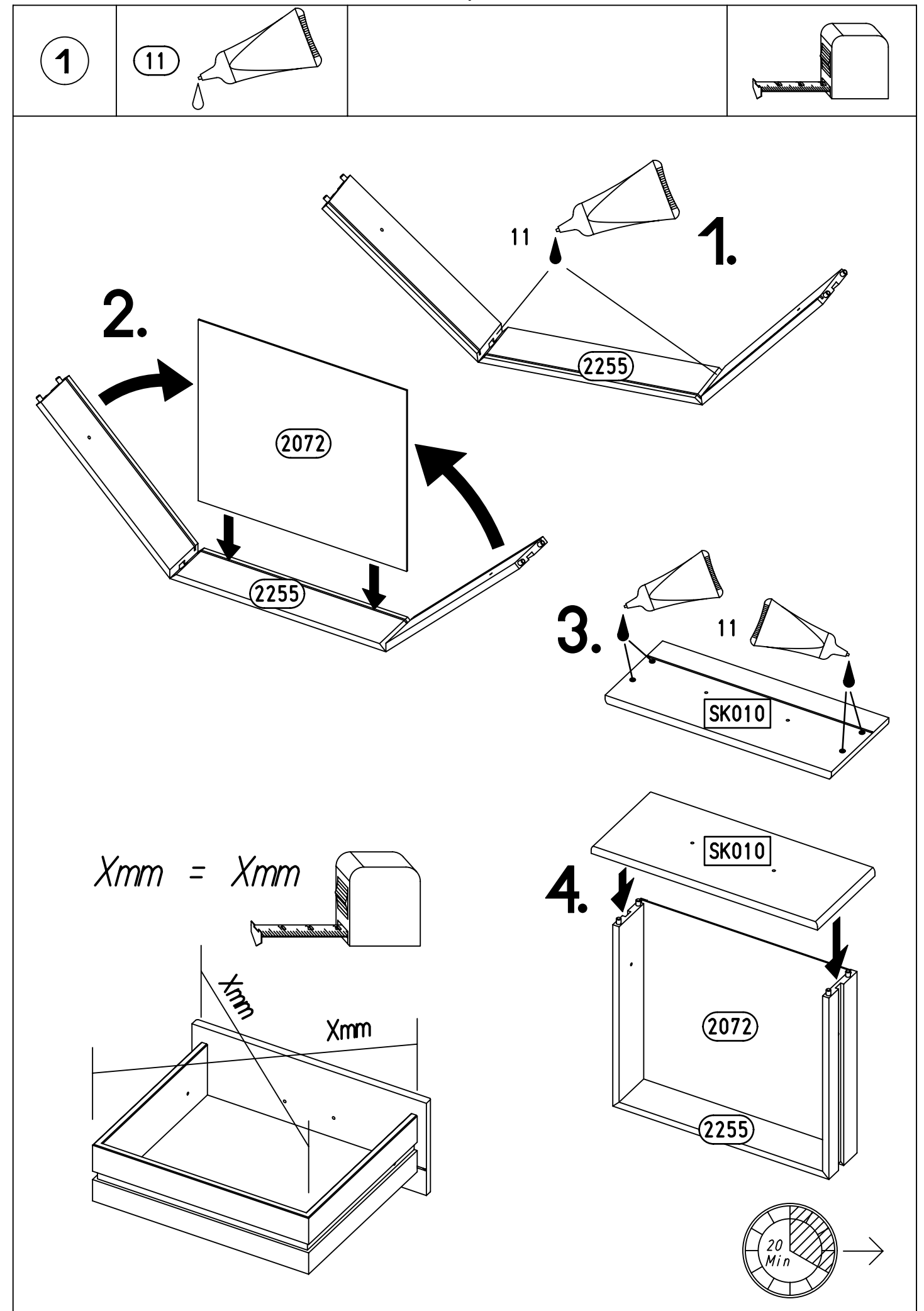


ø8mm

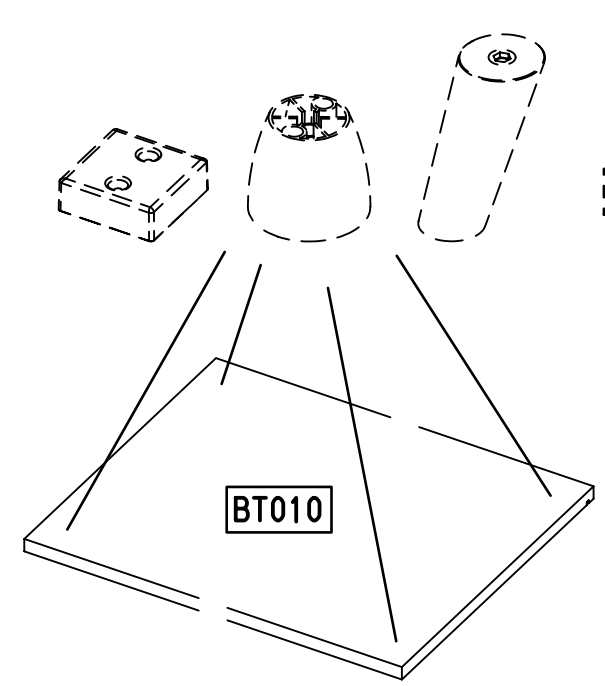
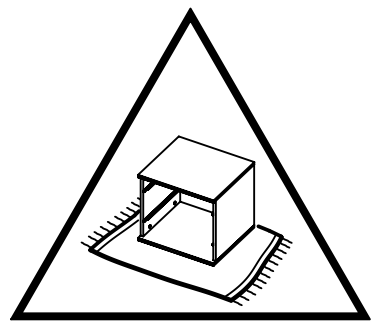
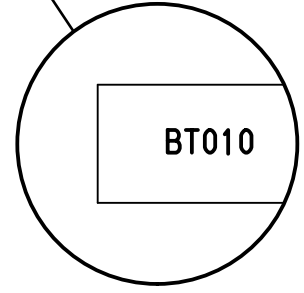
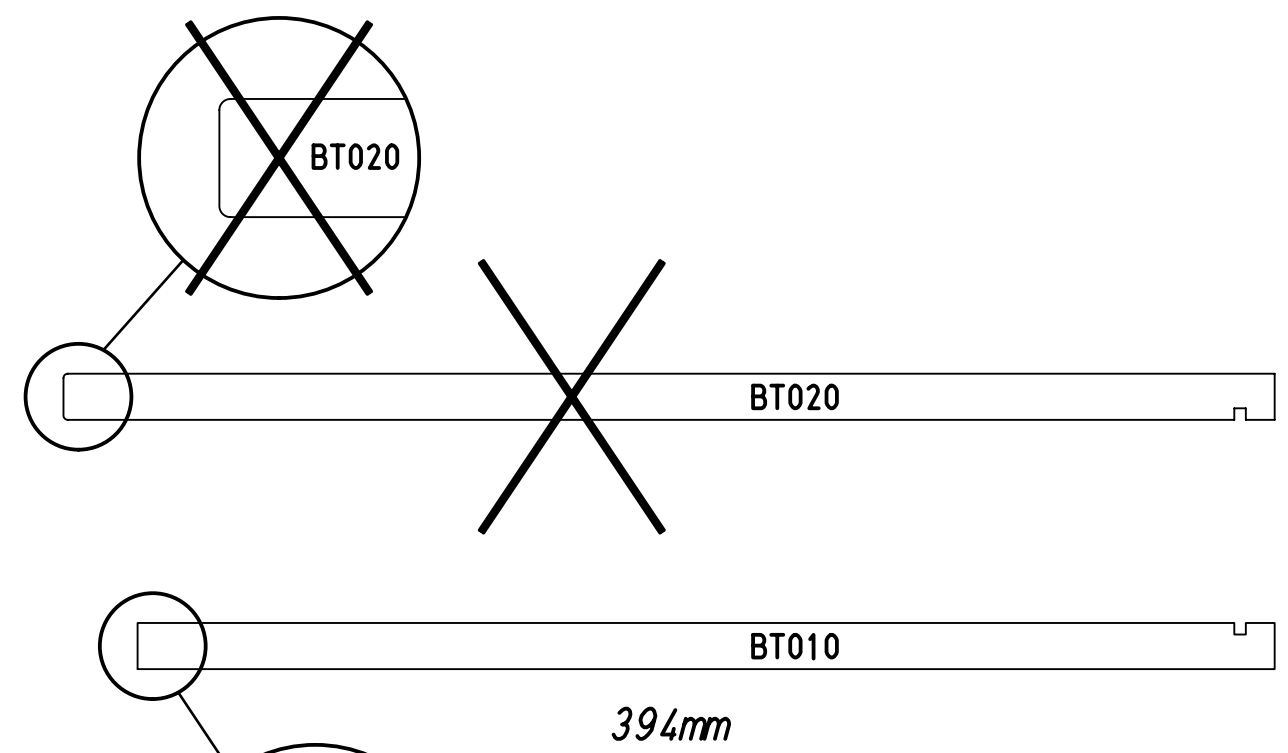




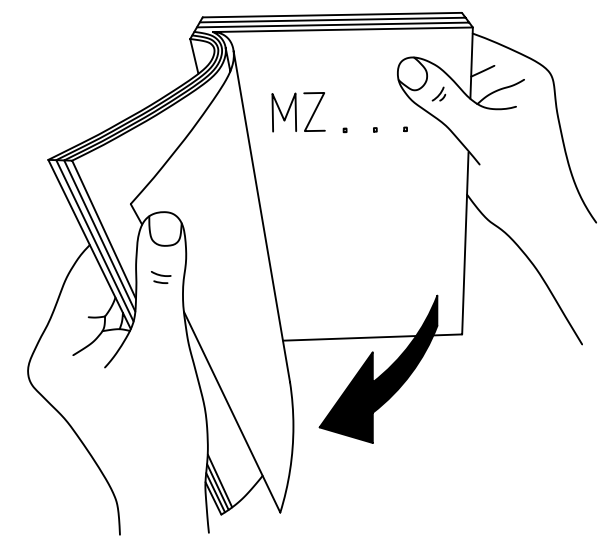
<p>11</p> 	<p>16x 18</p>  <p>8x30</p>	<p>6x 130</p> 	
<p>16x 183</p>  <p>23/10x7,5/6,5</p>	<p>12x 227</p>  <p>6x10,5</p>	<p>6x 251</p>  <p>328x17x9,5</p>	
<p>16x 349</p> 	<p>6x 568</p>  <p>M4x9</p>	<p>6x 1000</p> 	
<p>6x 1001</p> 	<p>24x 1002</p>  <p>3,5x20</p>	<p>12x 1003</p>  <p>6x12</p>	<p>12x 1090</p> 
<p>12x 1105</p> 			
   			



2



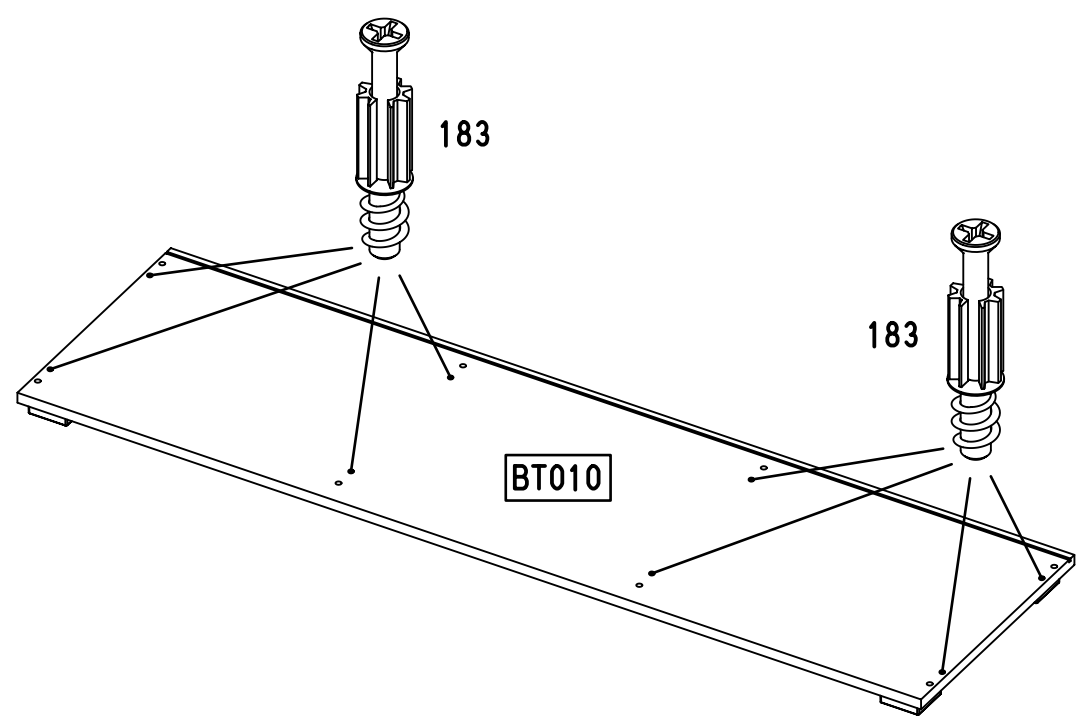
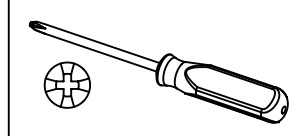
?



3

8x 183

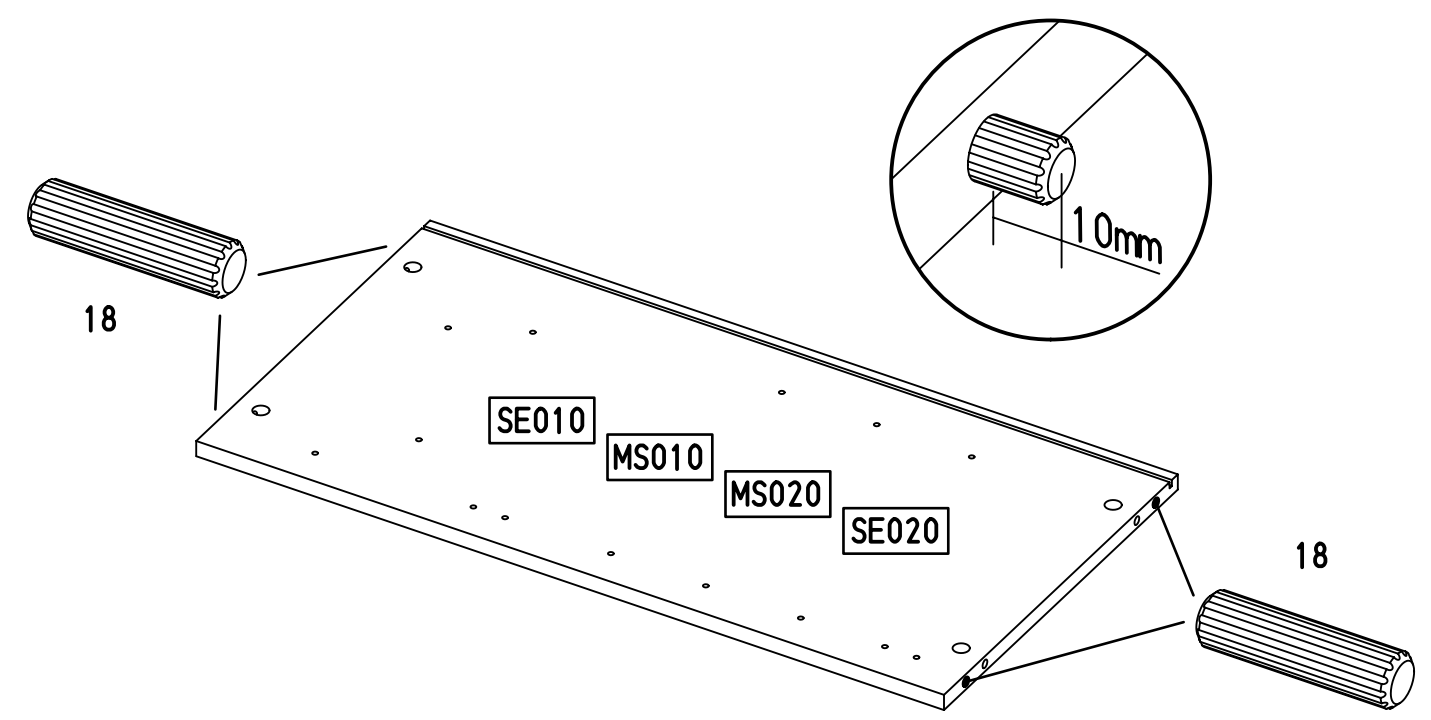
23/10x7,5/6,5



4

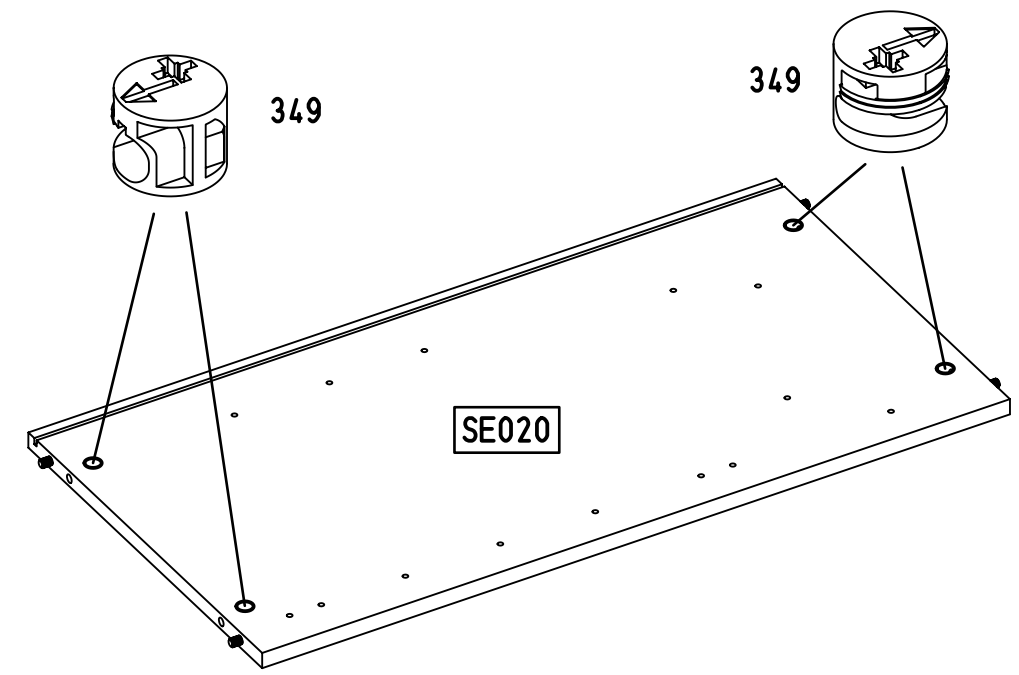
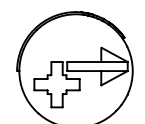
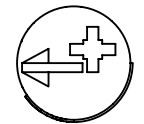
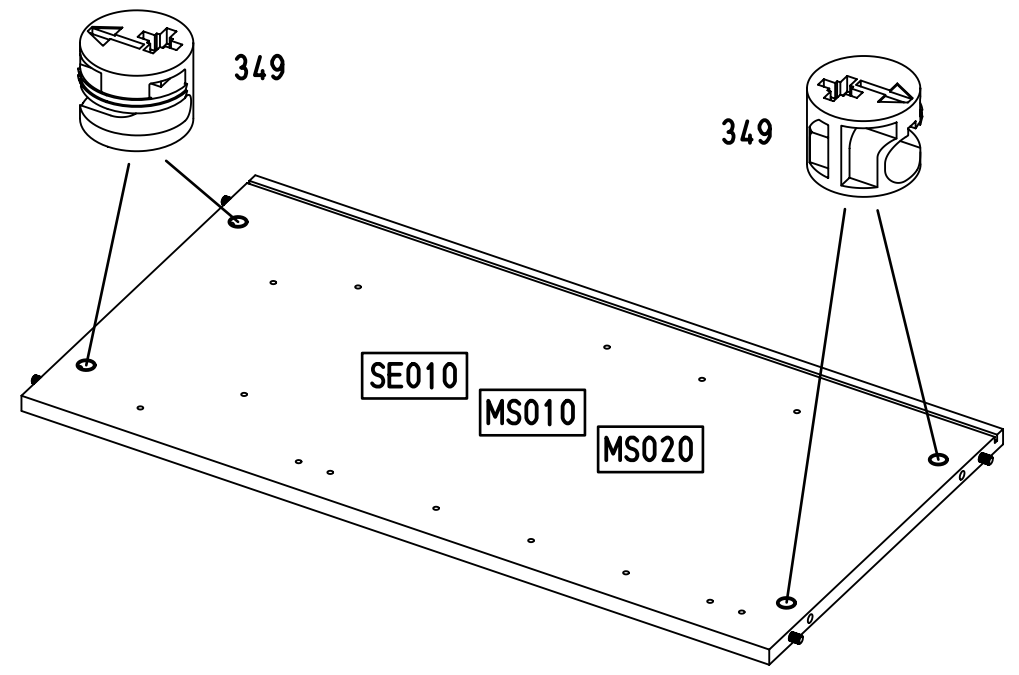
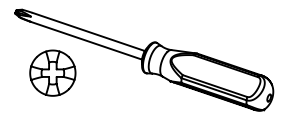
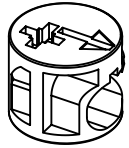
16x 18

8x30



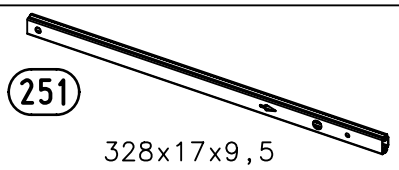
5

16x 349



6

3x 251

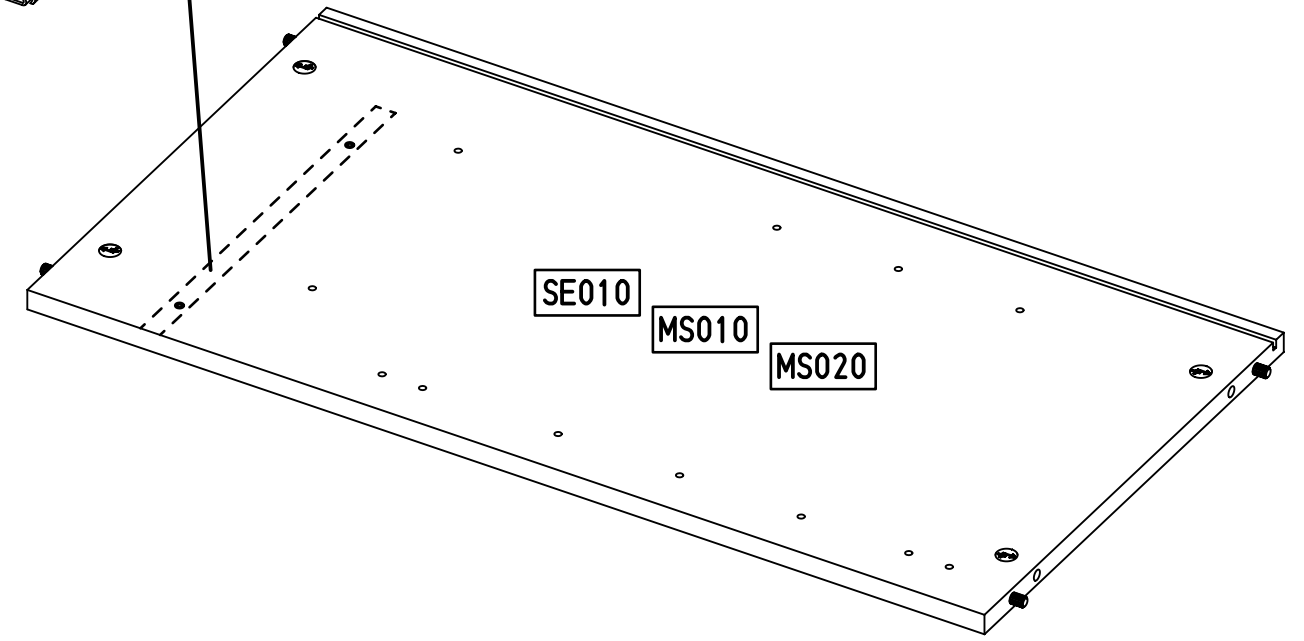
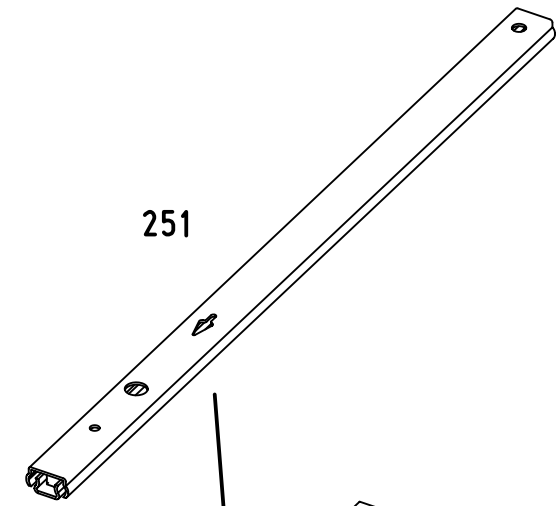
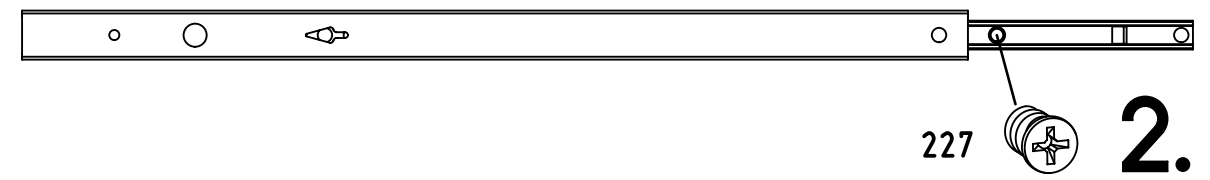
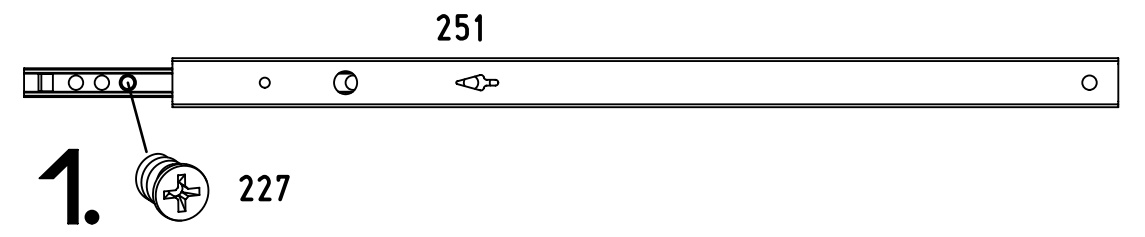
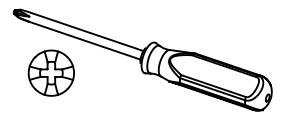


328x17x9,5

6x 227



6x10,5

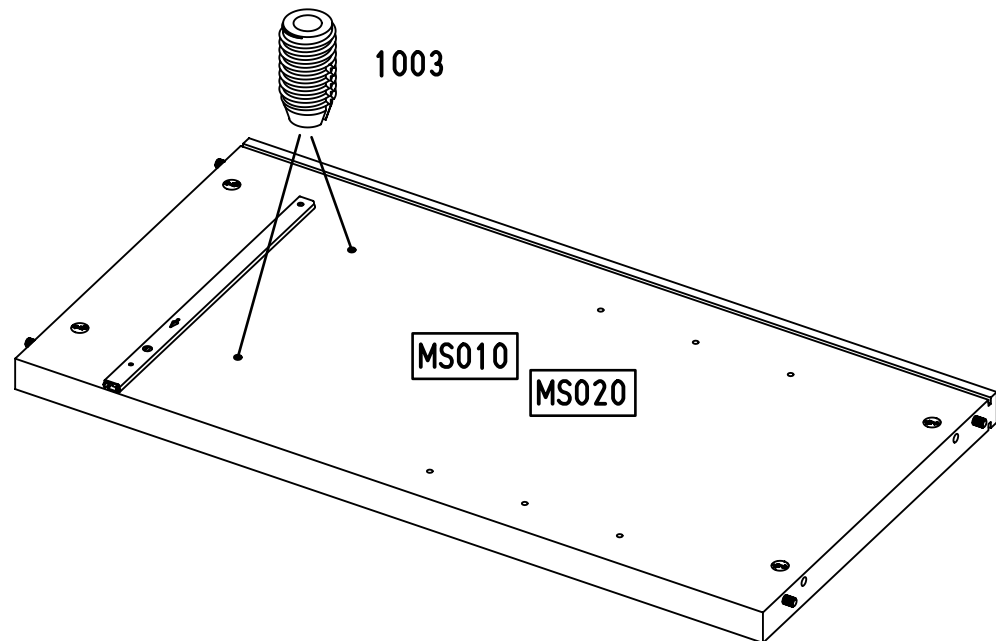
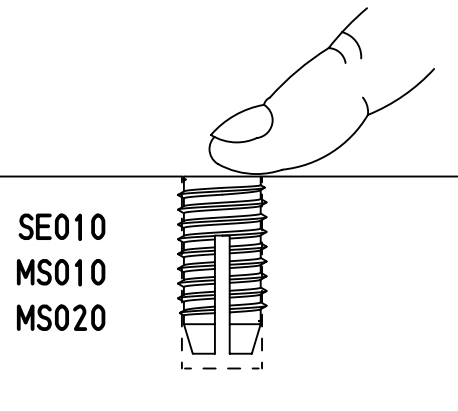
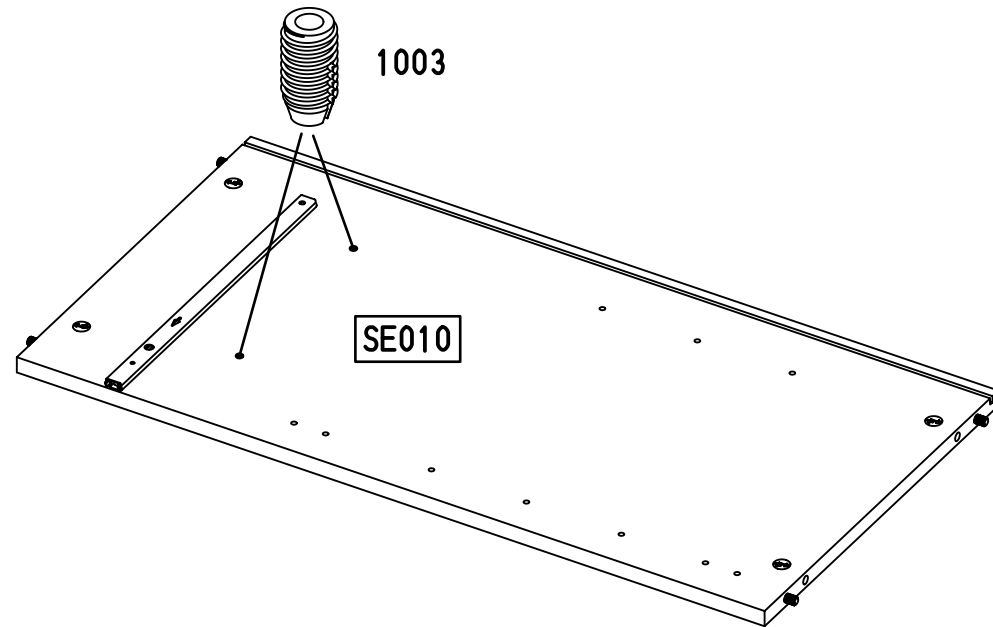


7

6x 1003

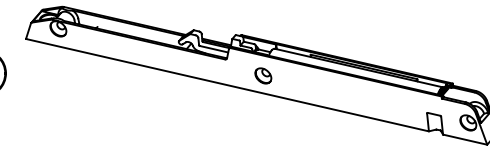


6x12

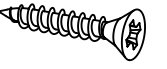


8

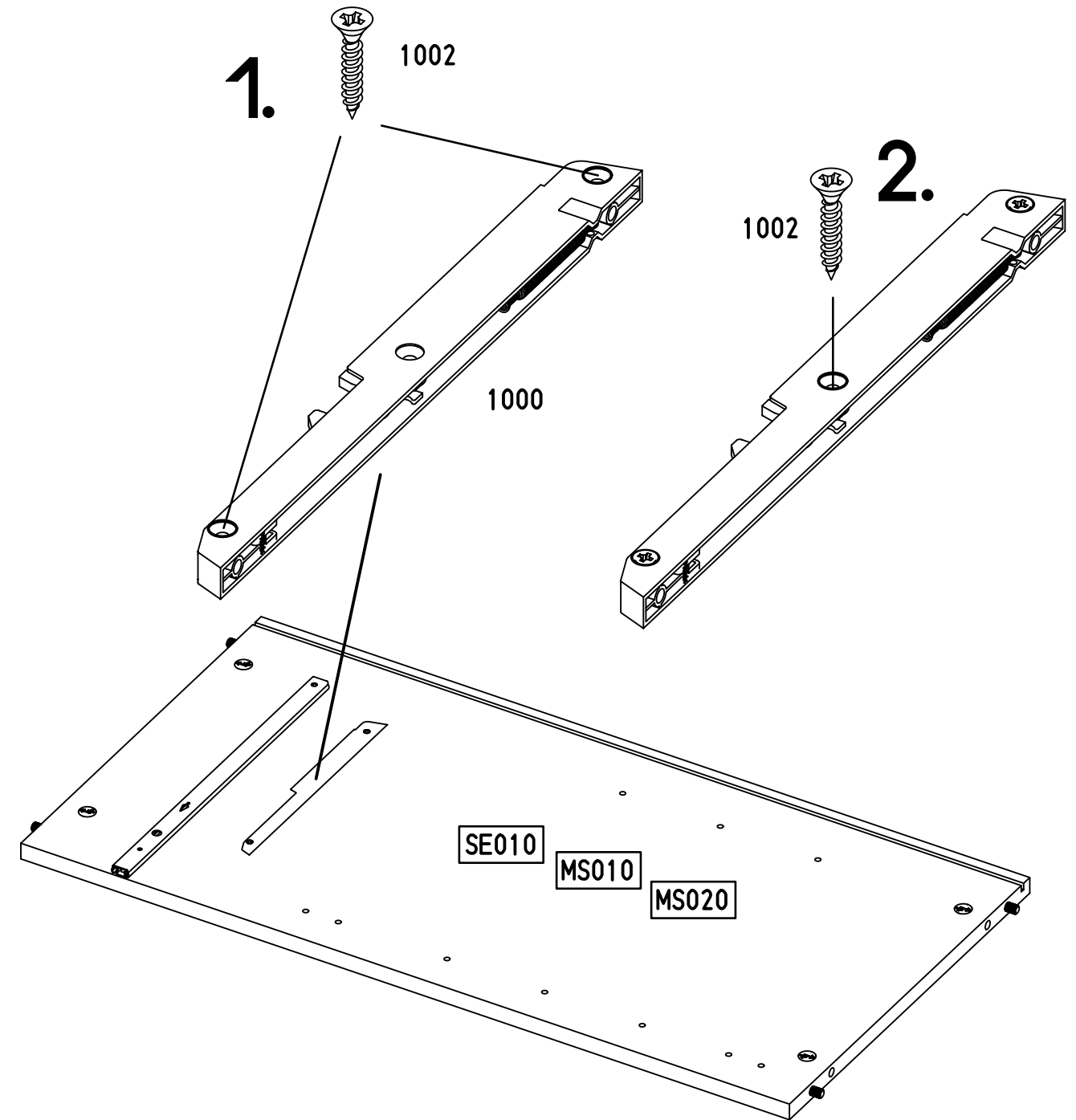
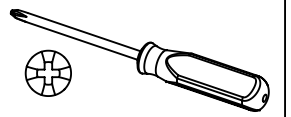
3x 1000



9x 1002



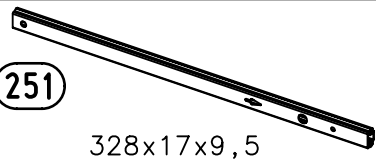
3,5x20



13.

9

3x (251)

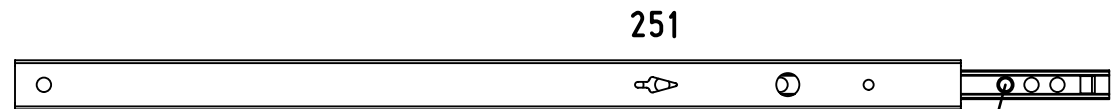
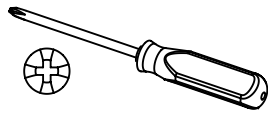


328x17x9,5

6x (227)



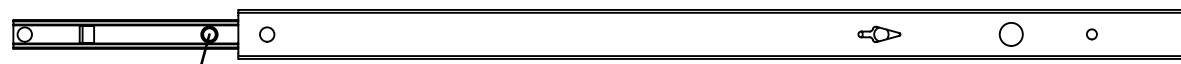
6x10,5



251

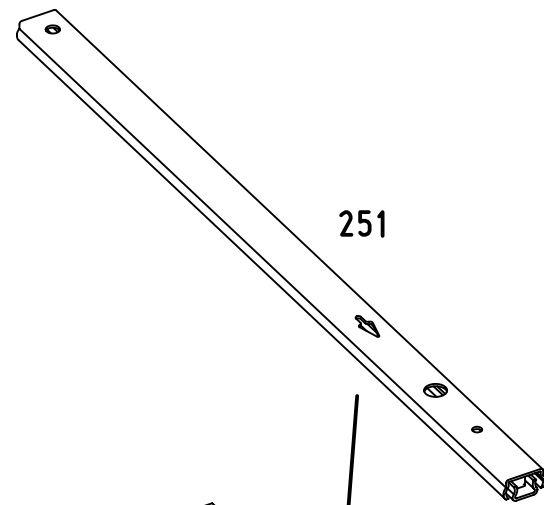
227

1.

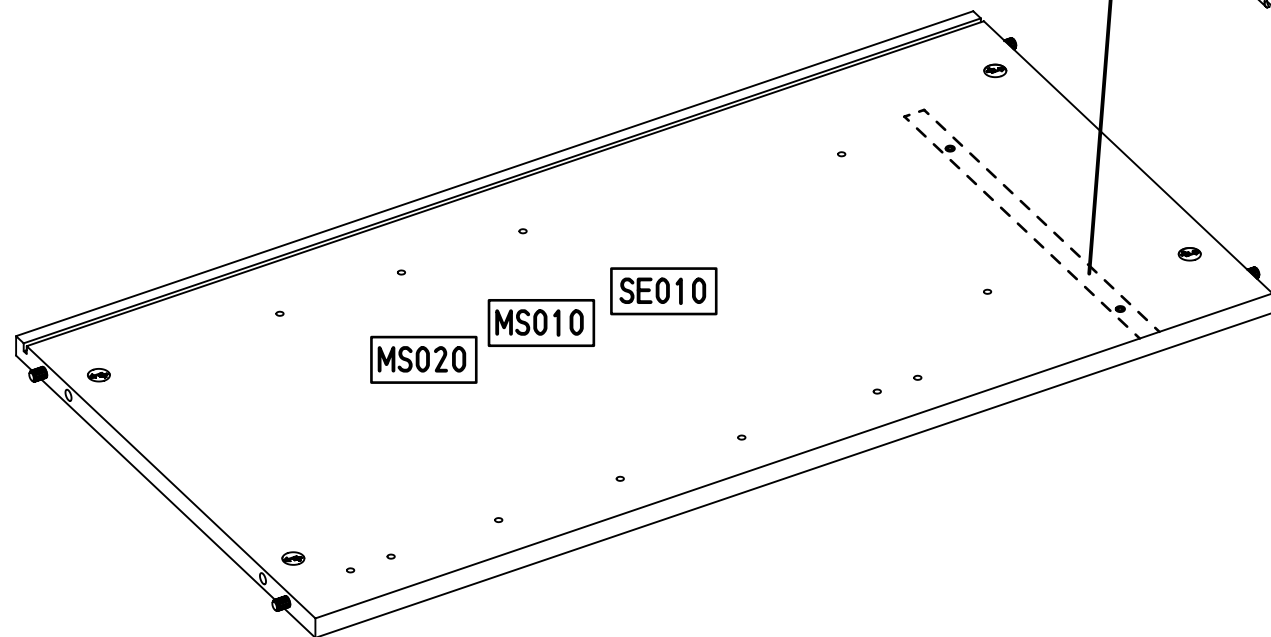


227

2.



251



MS020

MS010

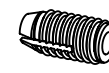
SE010

M2122

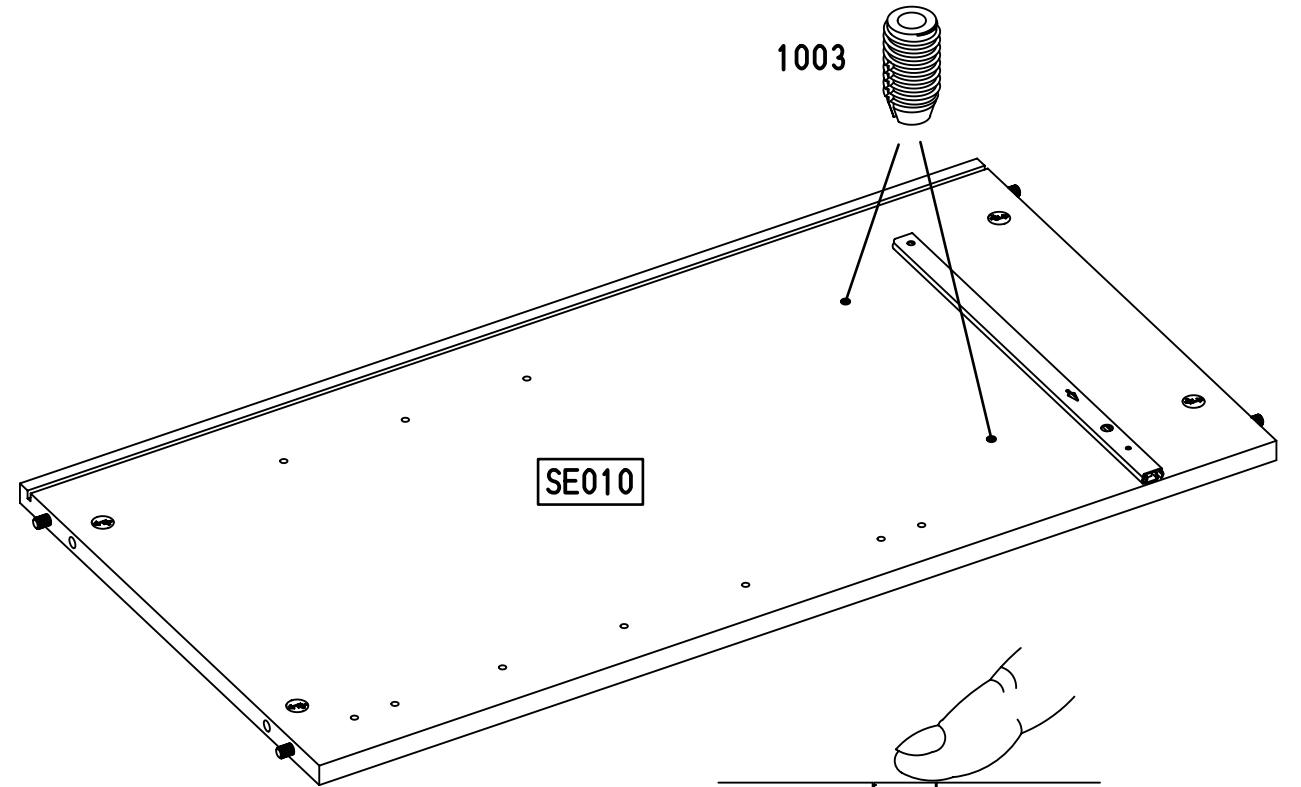
14.

10

6x (1003)

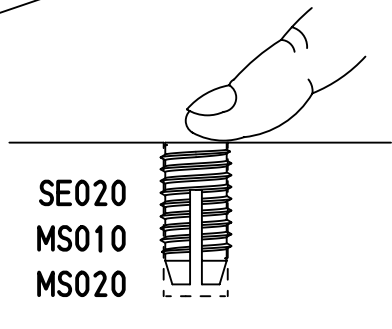


6x12

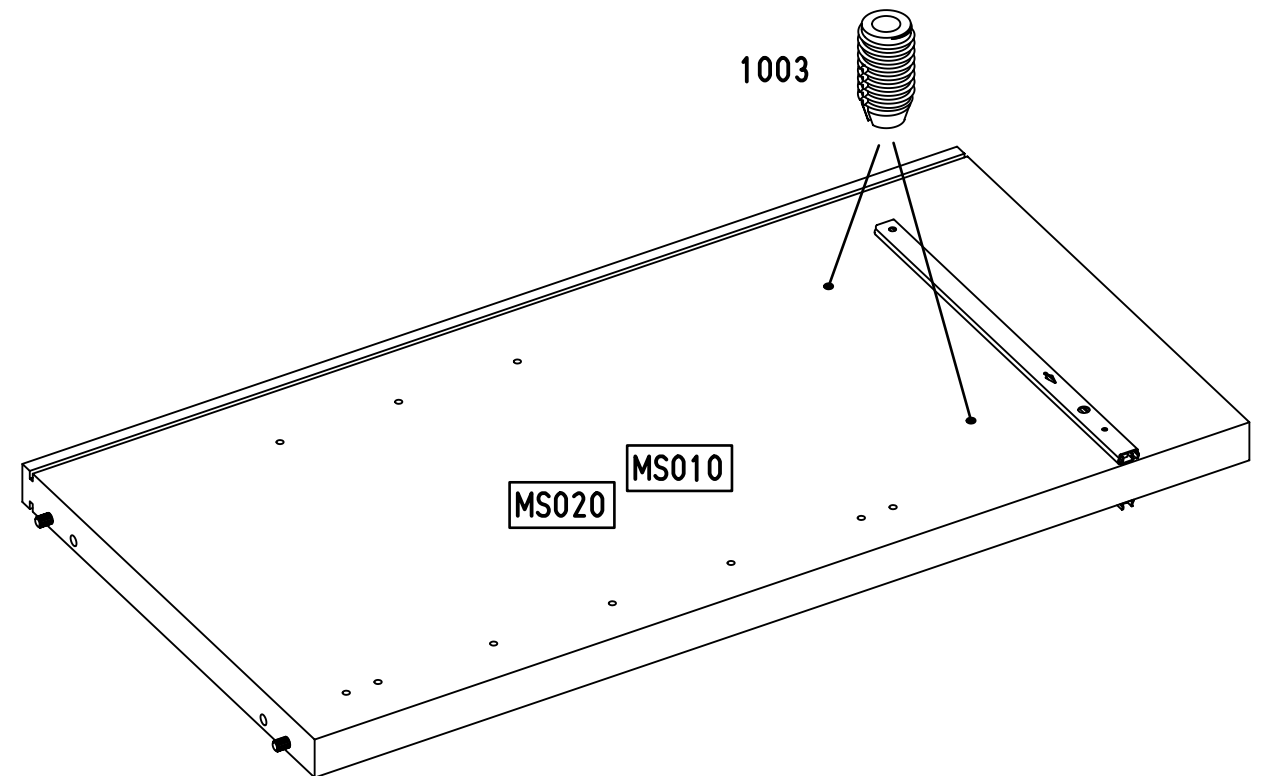


1003

SE010



SE020  
MS010  
MS020



1003

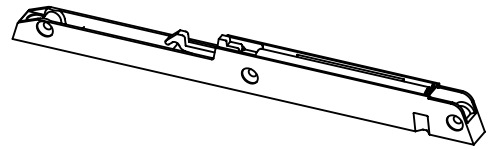
MS020

MS010

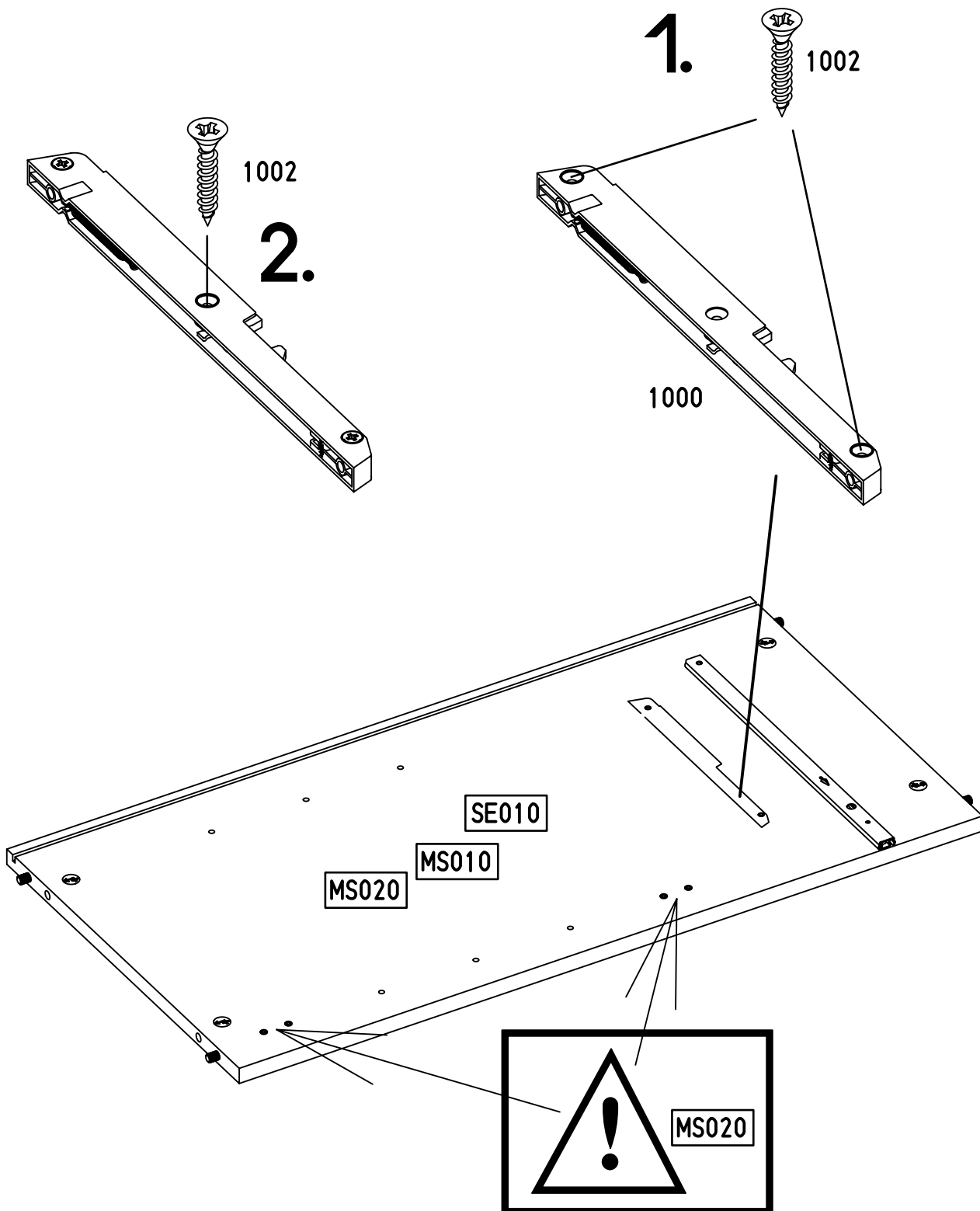
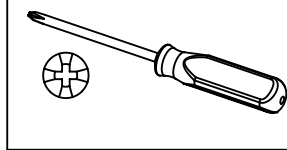
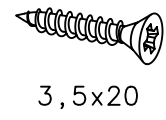
M2122

11

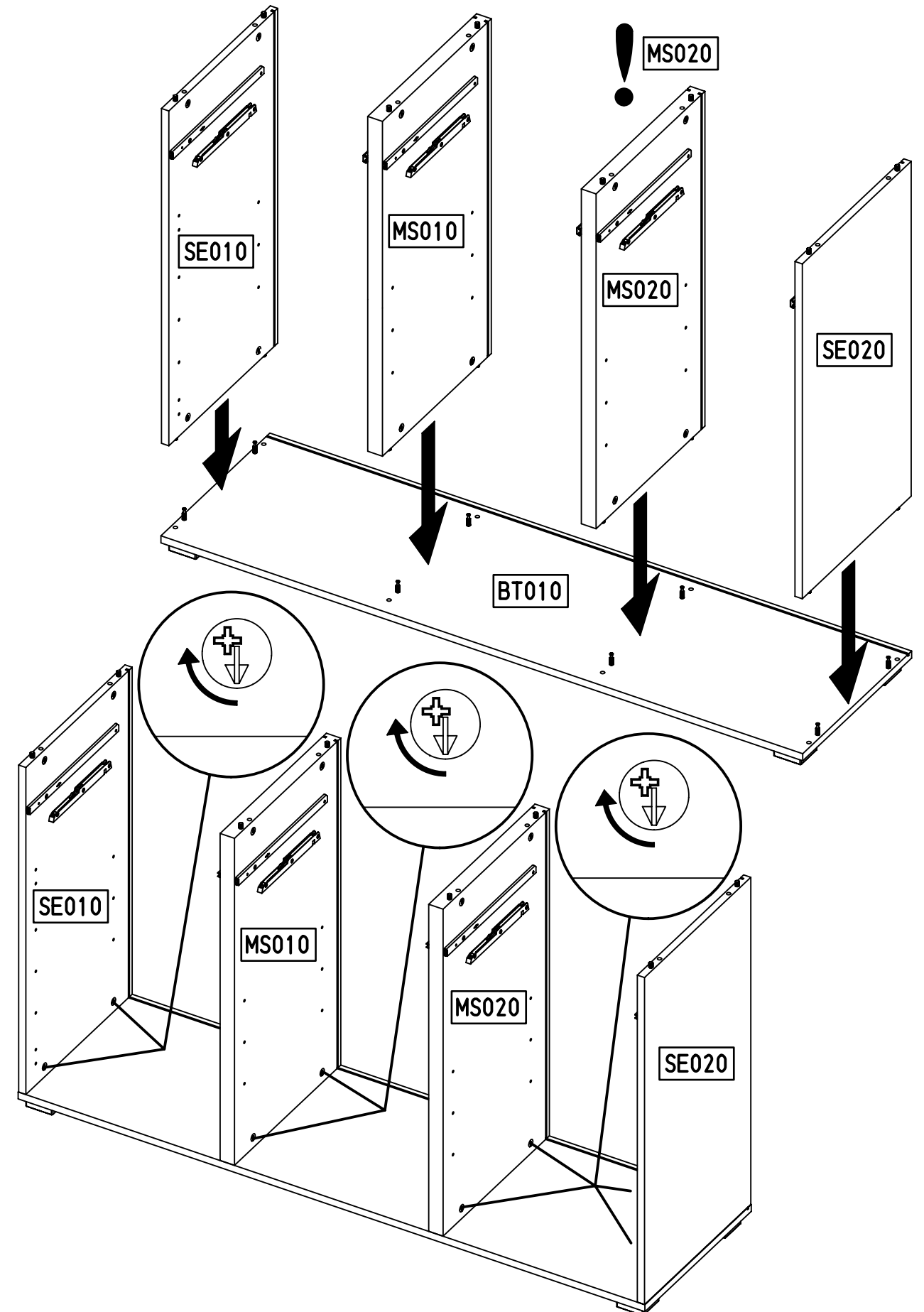
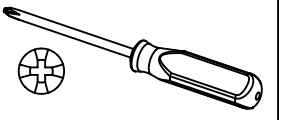
3x 1000



9x 1002

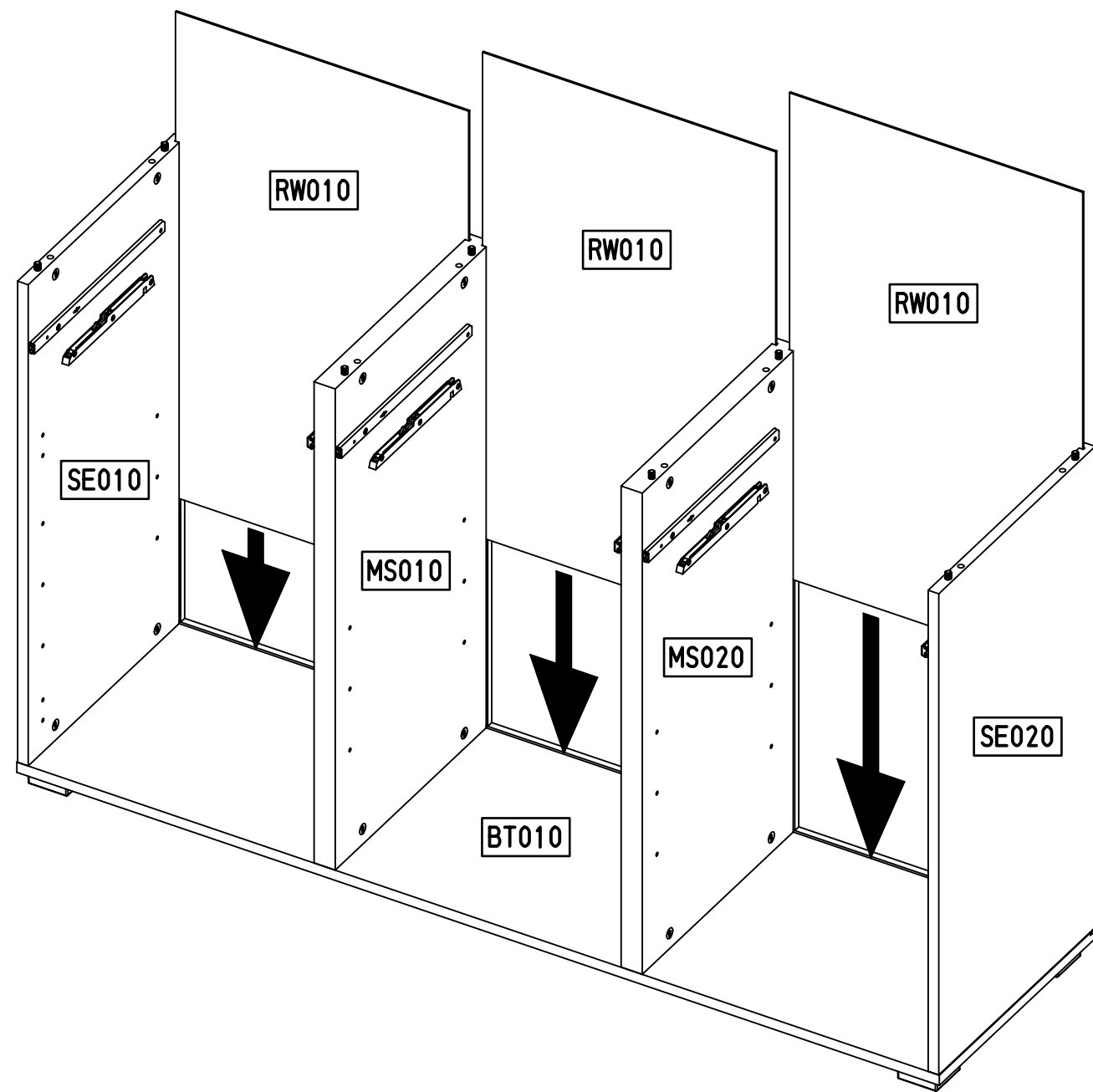


12



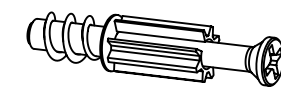


13

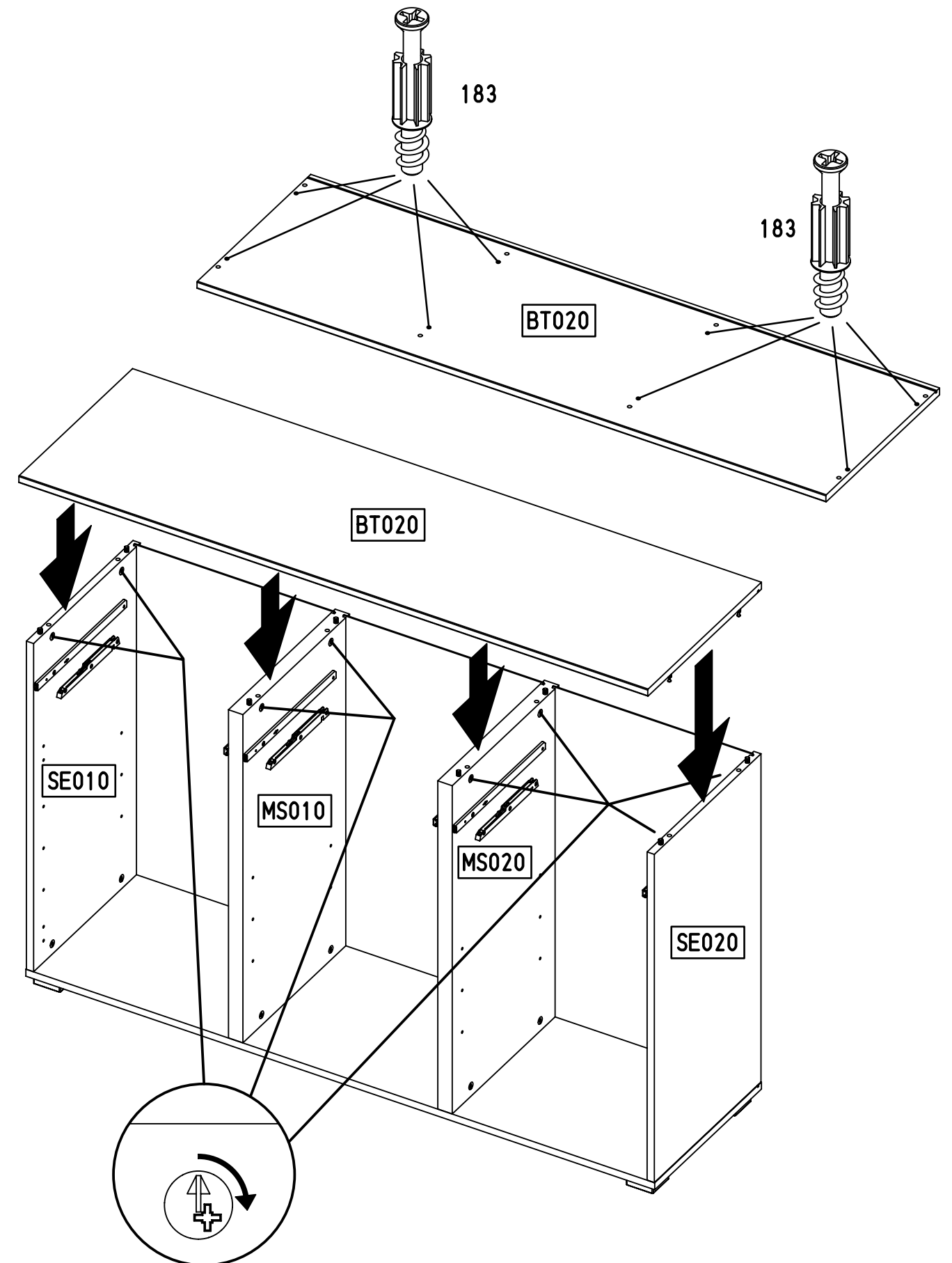
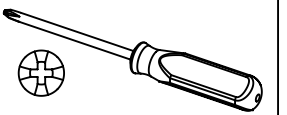


14

8x 183

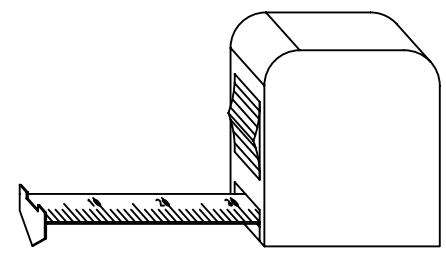
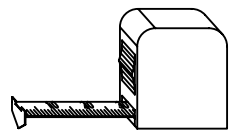
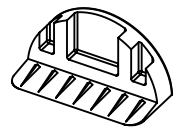


23/10x7,5/6,5

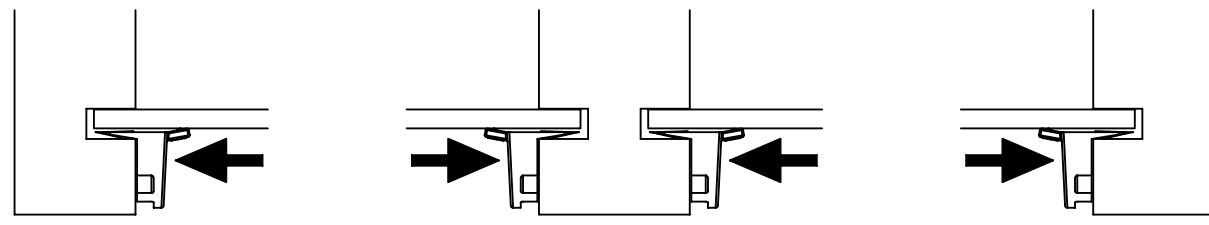
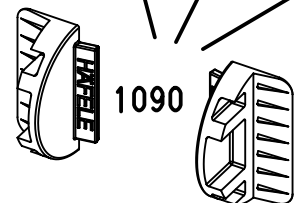
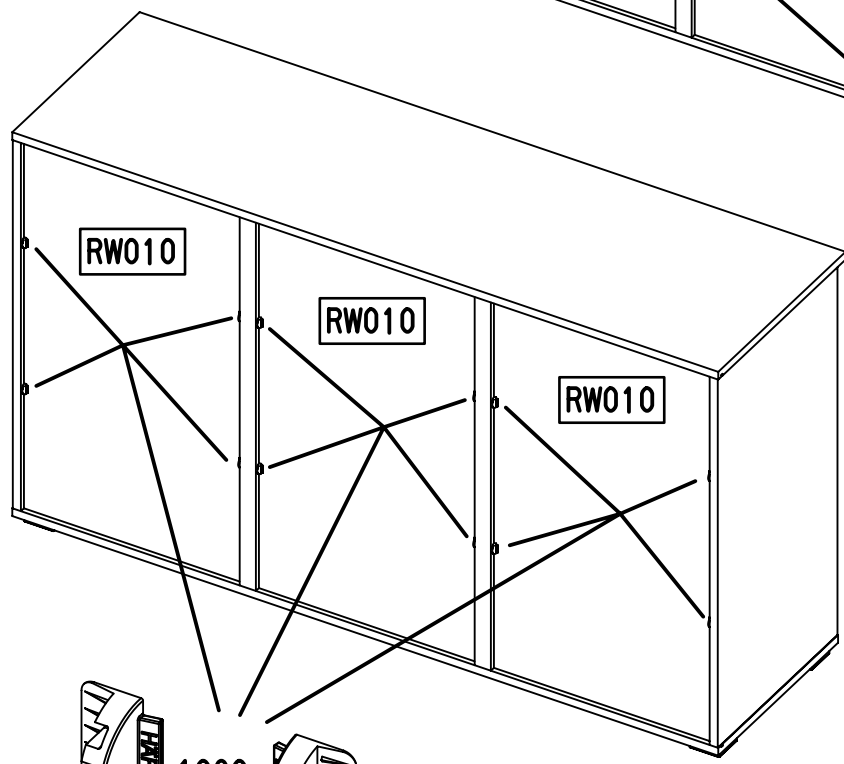
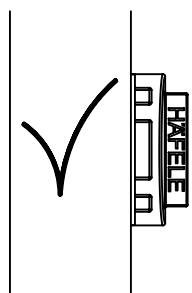
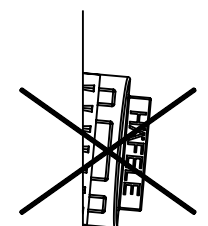
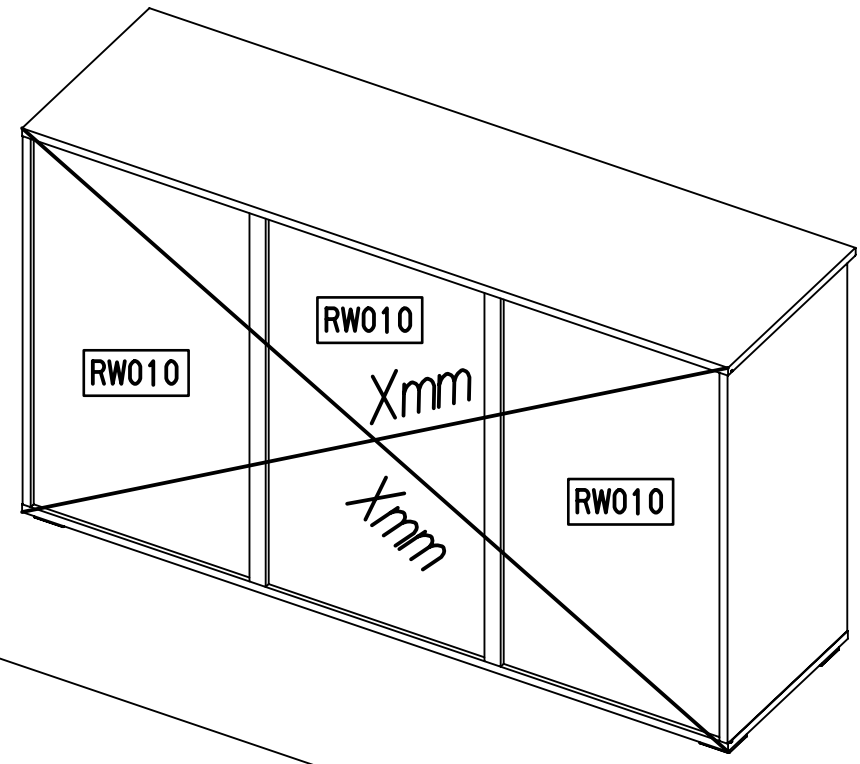


15

12x 1090

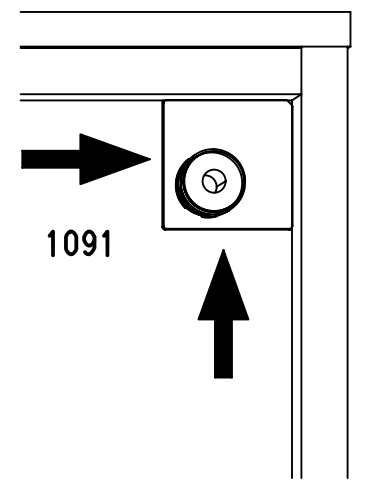
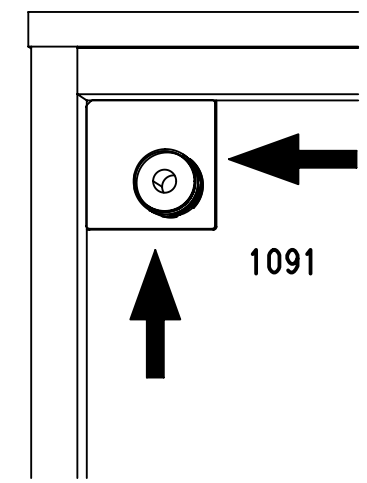
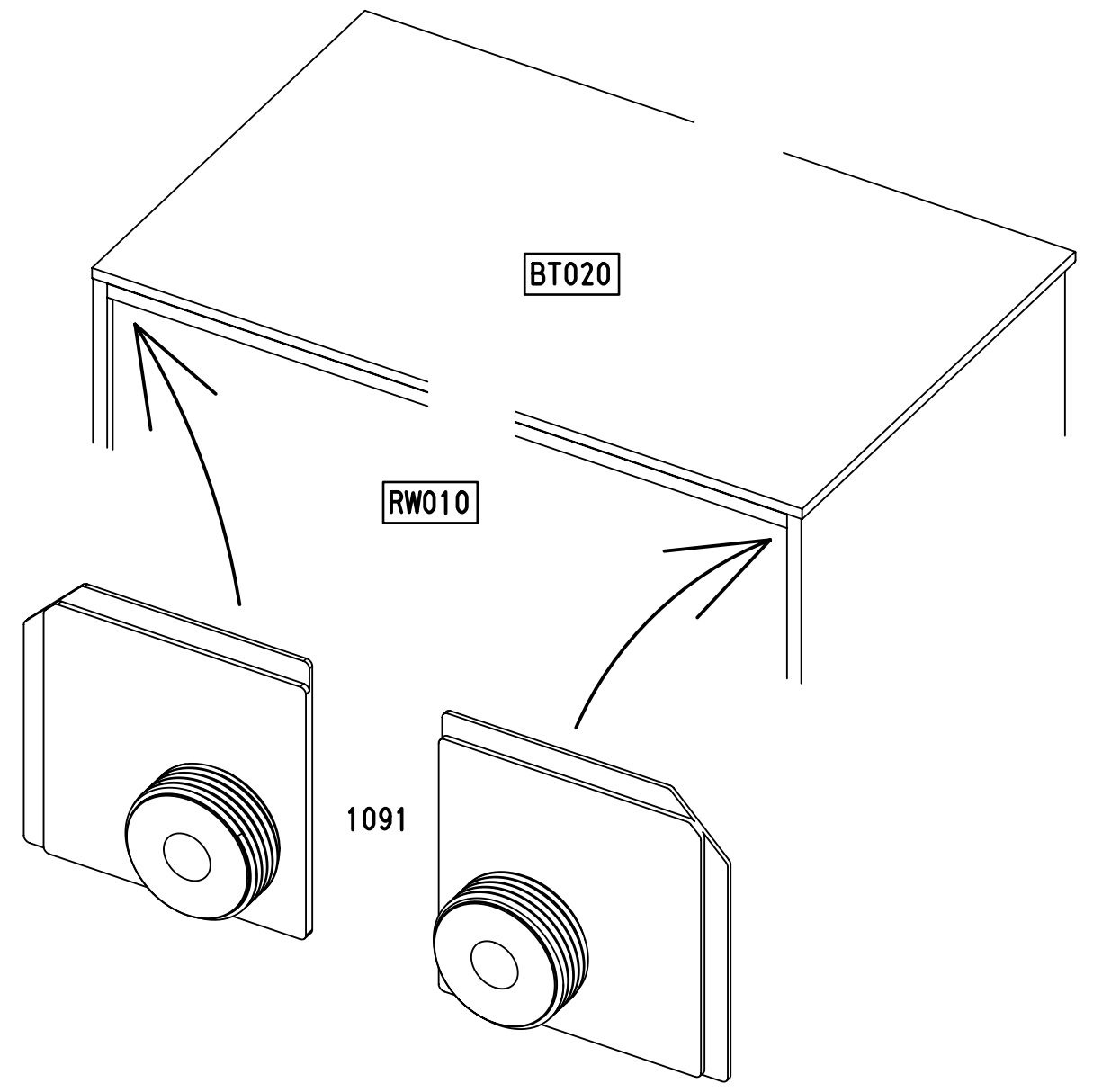
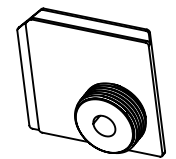


Xmm = Xmm



16

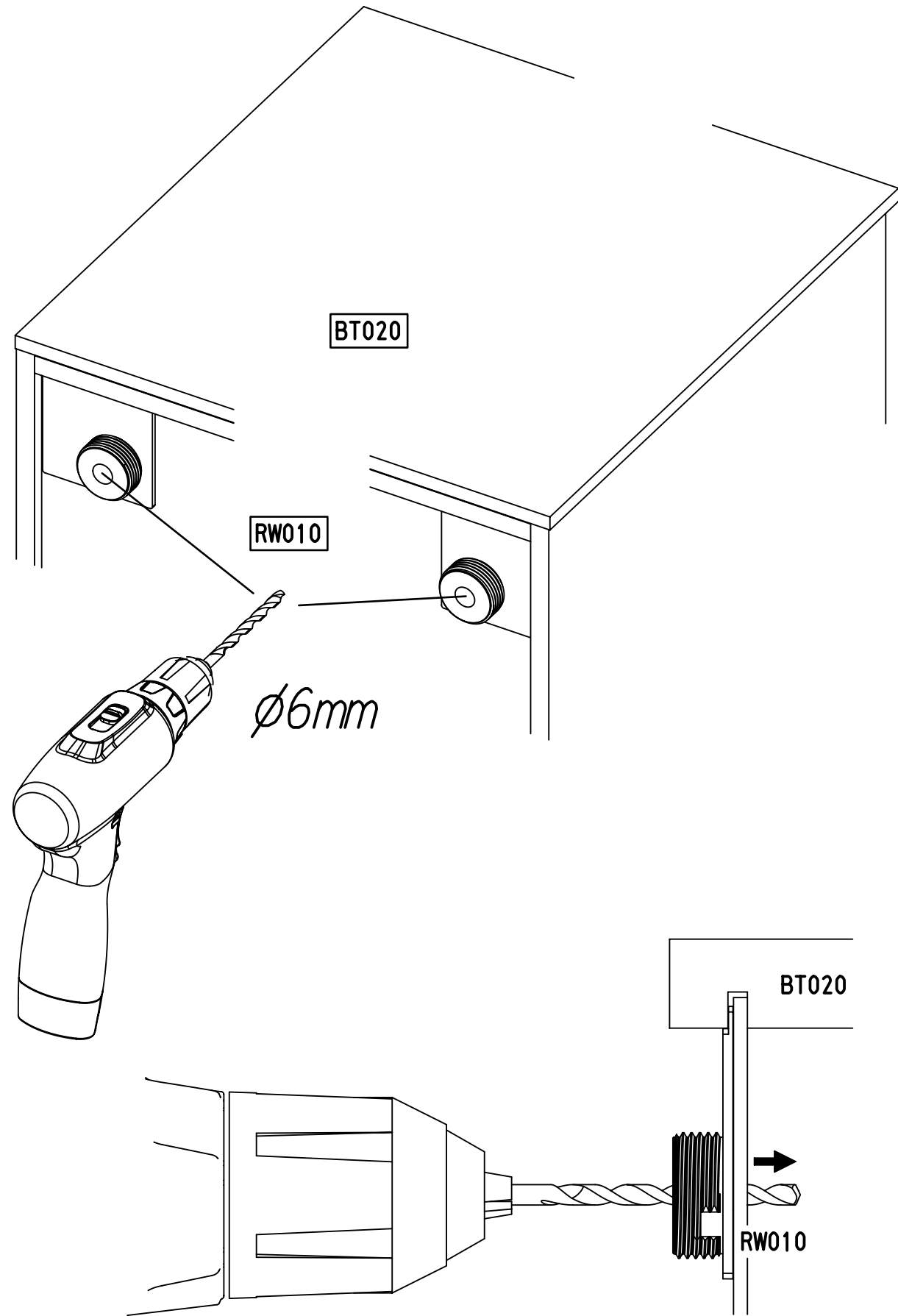
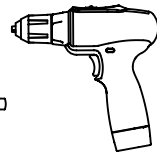
2x 1091



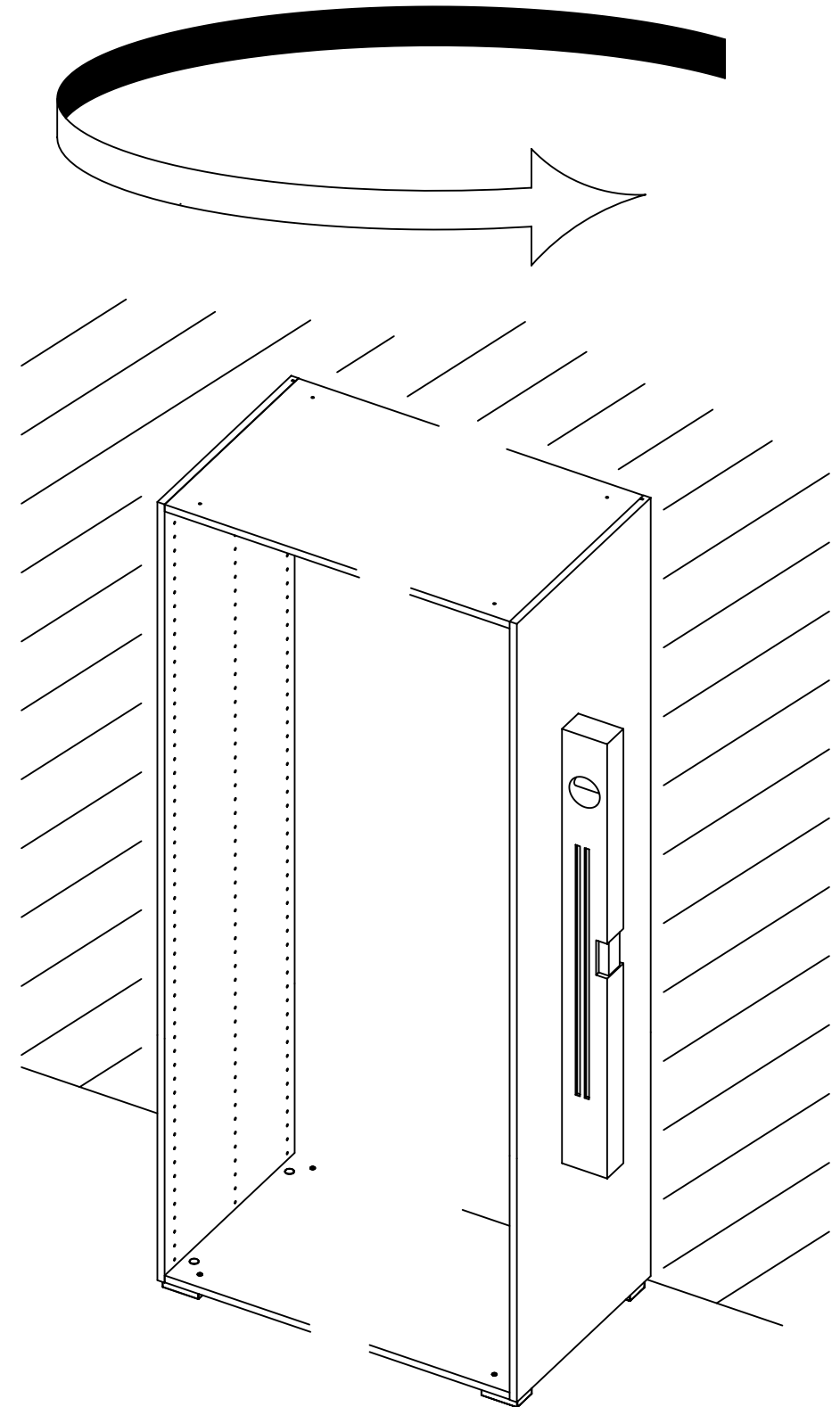
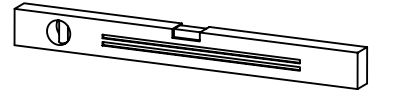
RW010

17

∅6mm

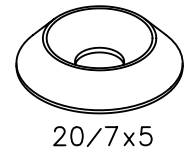


18



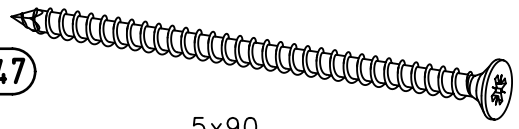
19

2x 1093

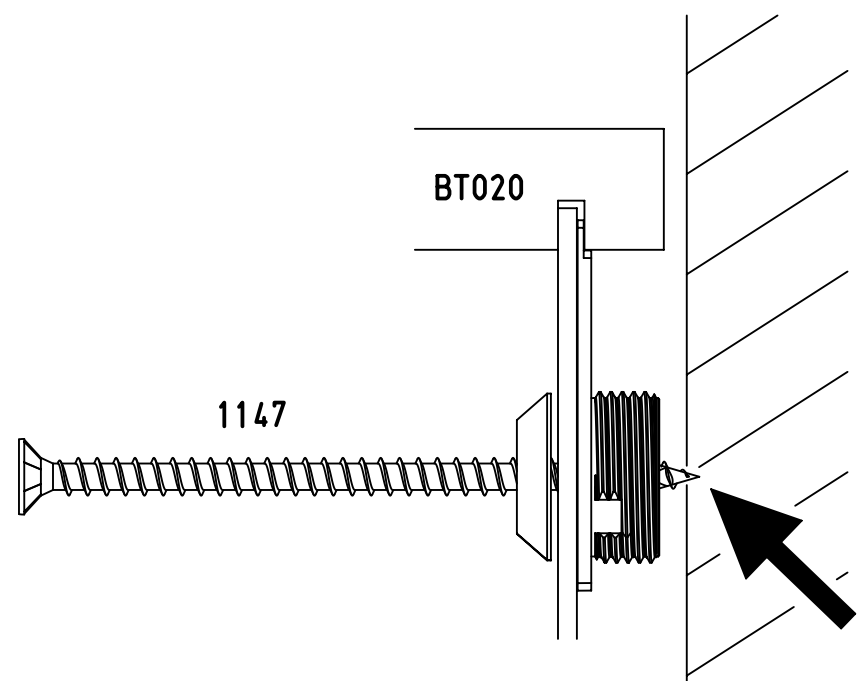
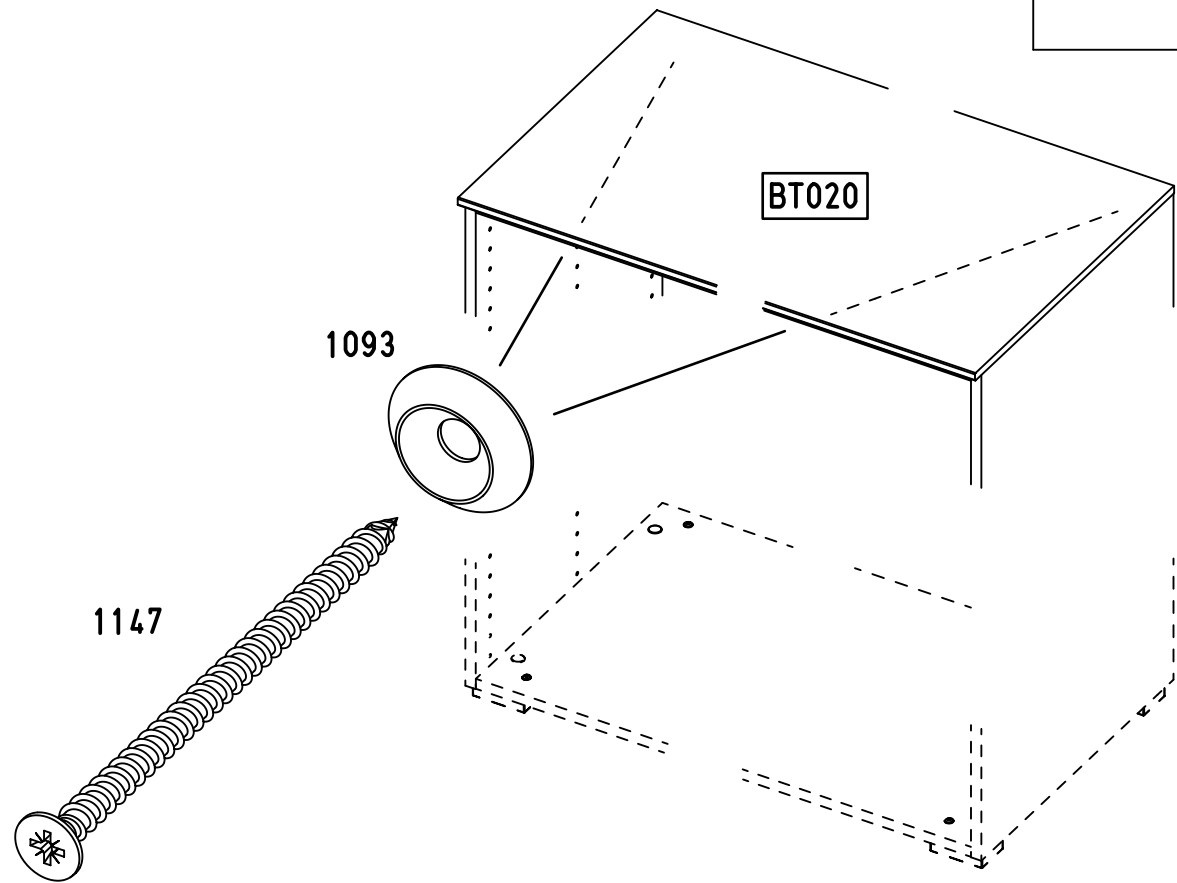
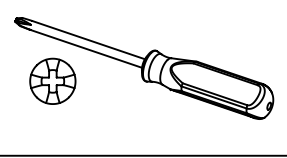


20/7x5

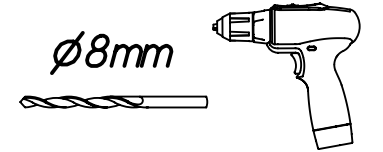
2x 1147



5x90

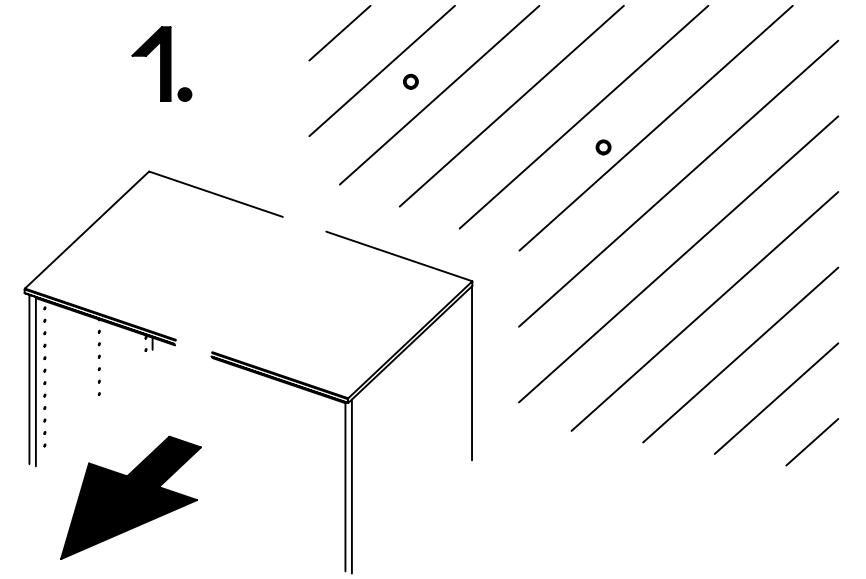


20

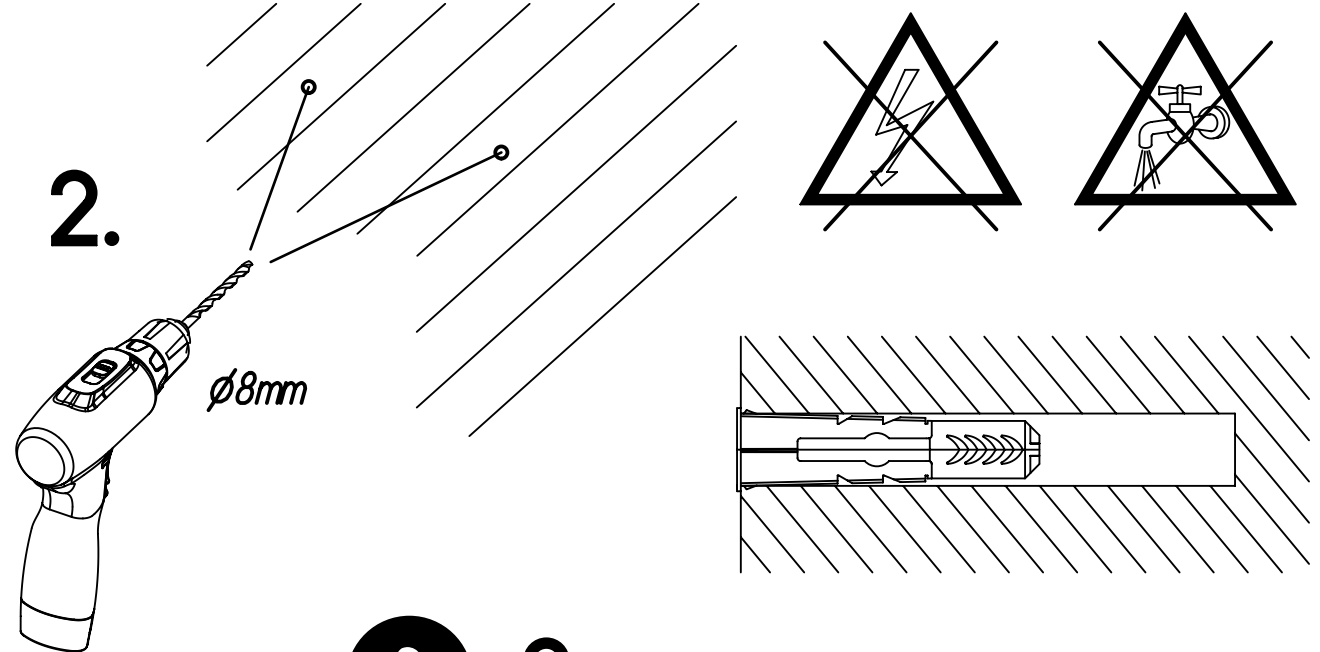


ø8mm

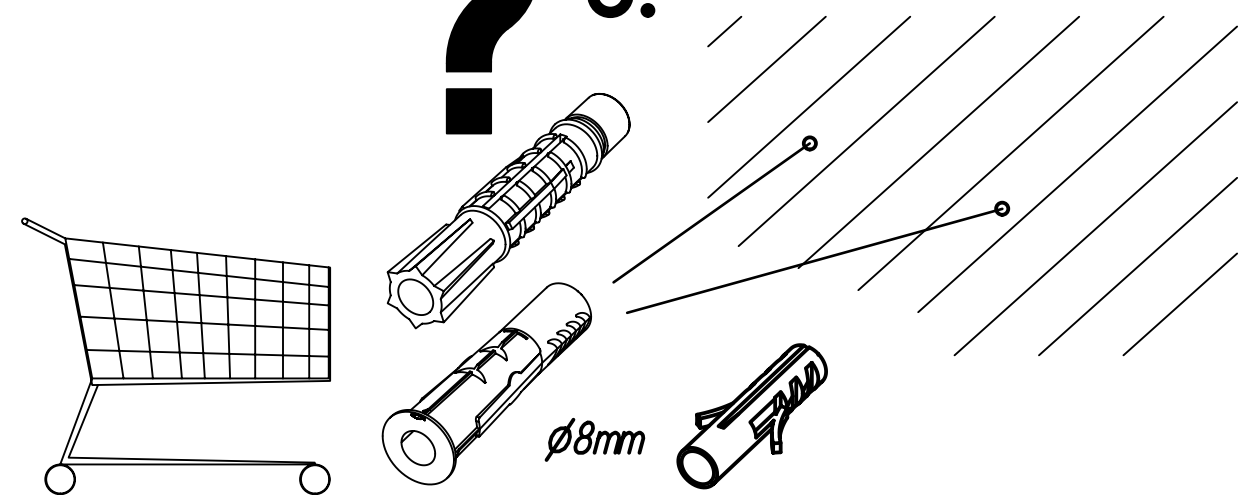
1.



2.

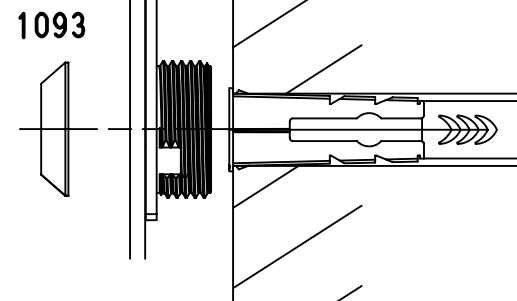
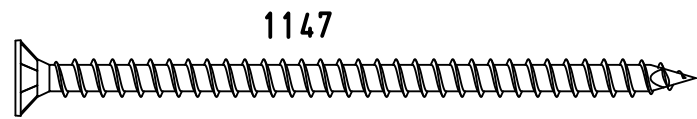
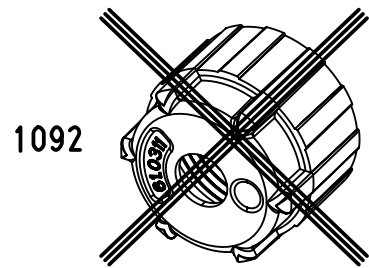
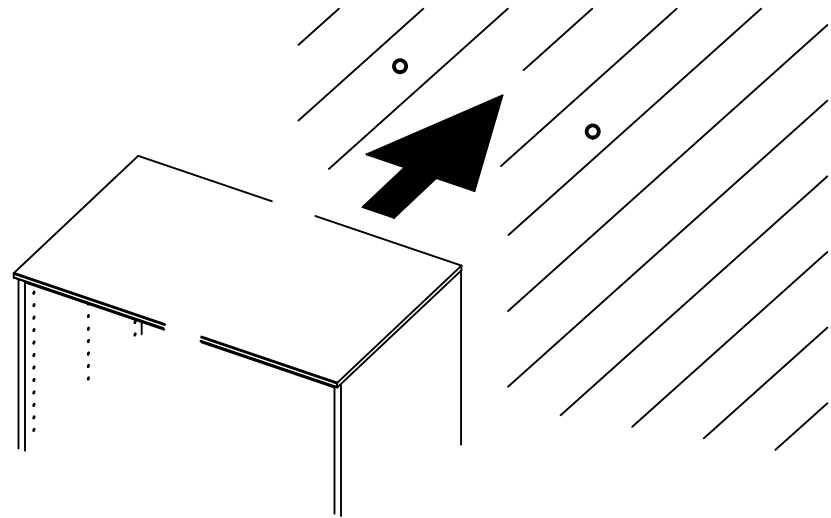
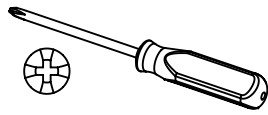
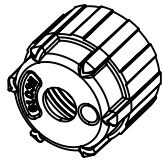


? 3.

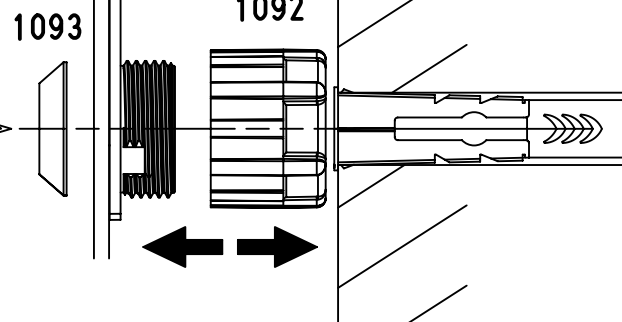
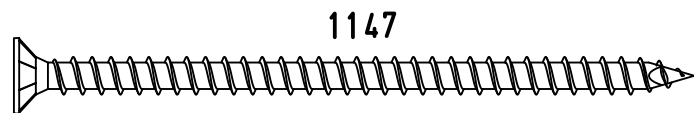


21

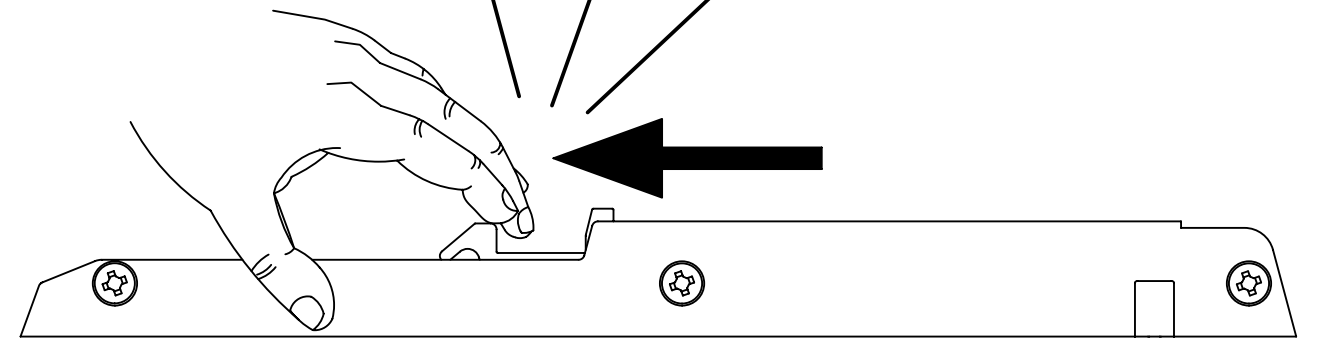
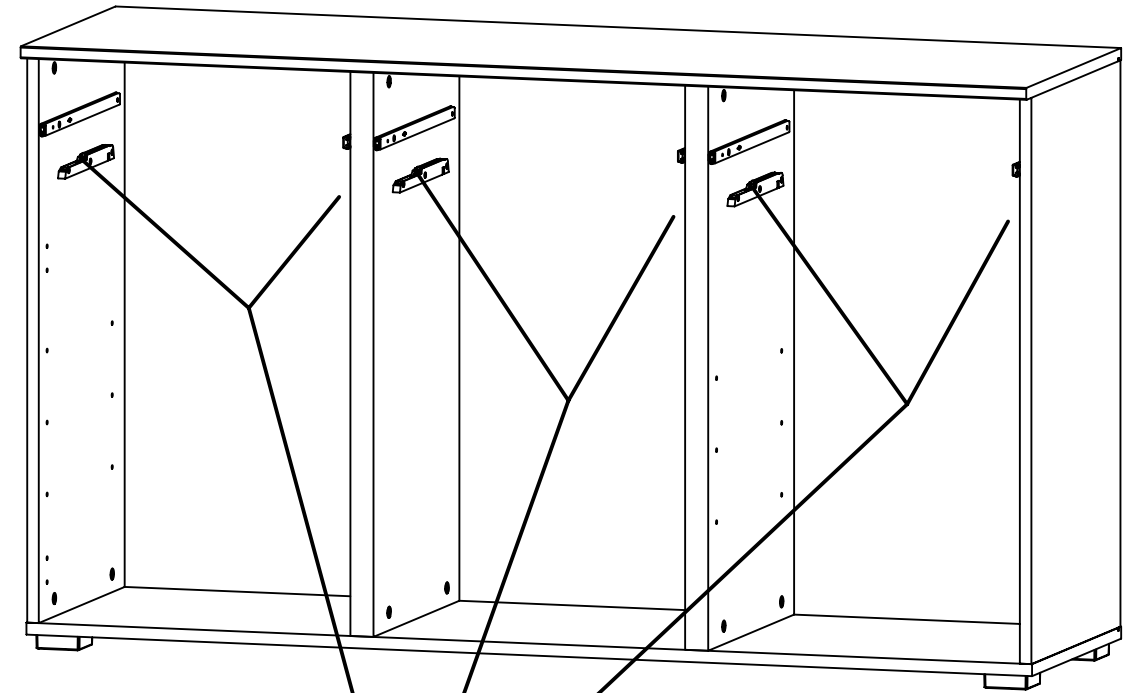
2x 1092



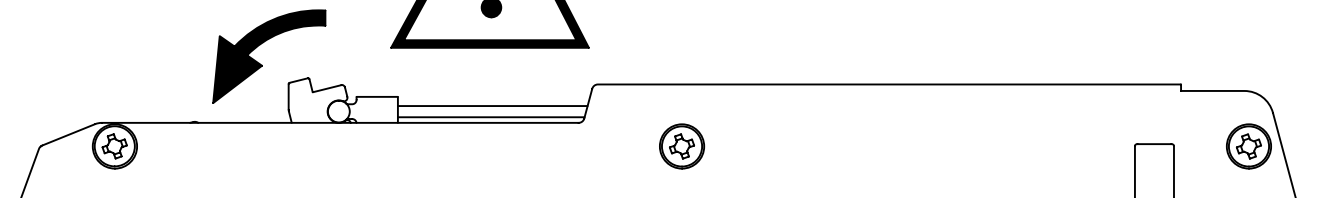
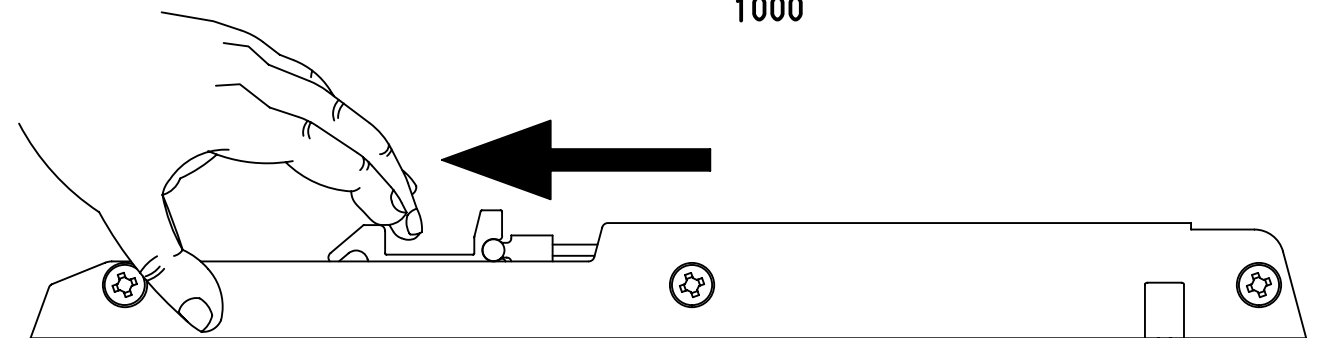
10-15mm



22



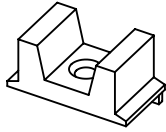
1000



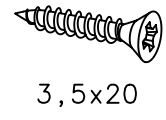
27.

23

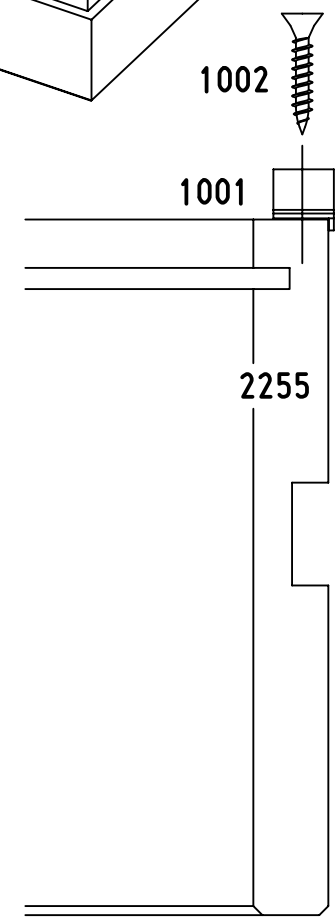
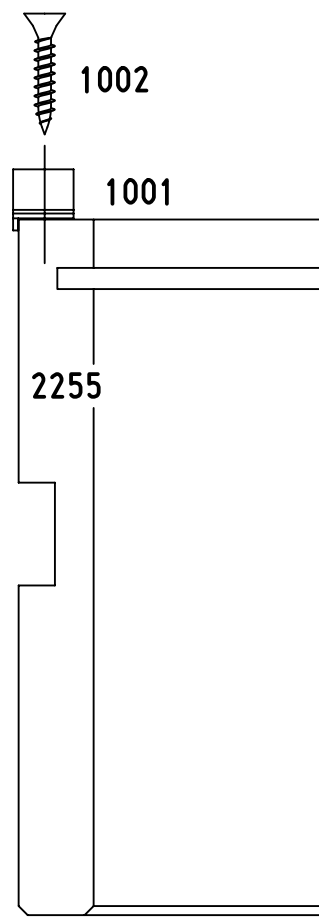
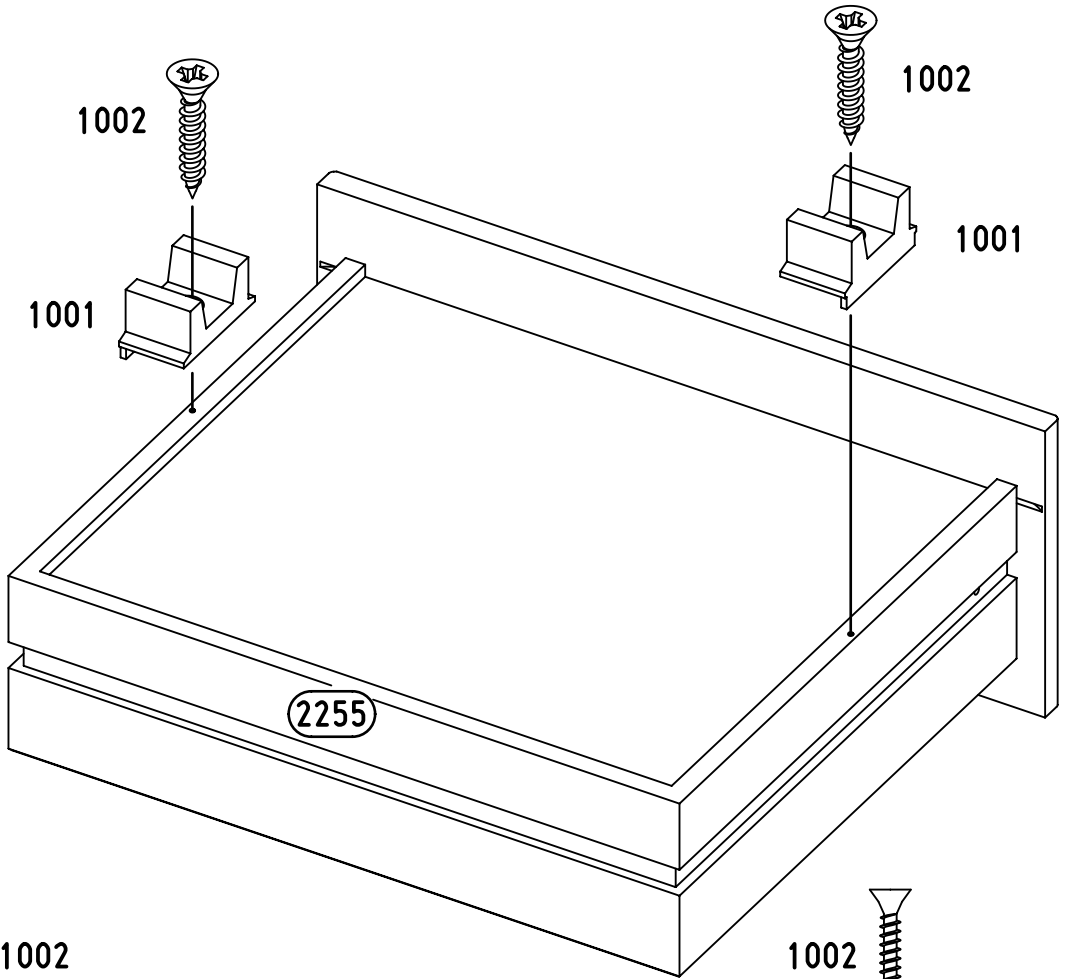
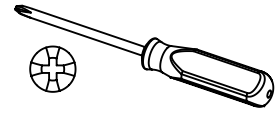
6x 1001



6x 1002



3,5x20

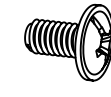


M2122

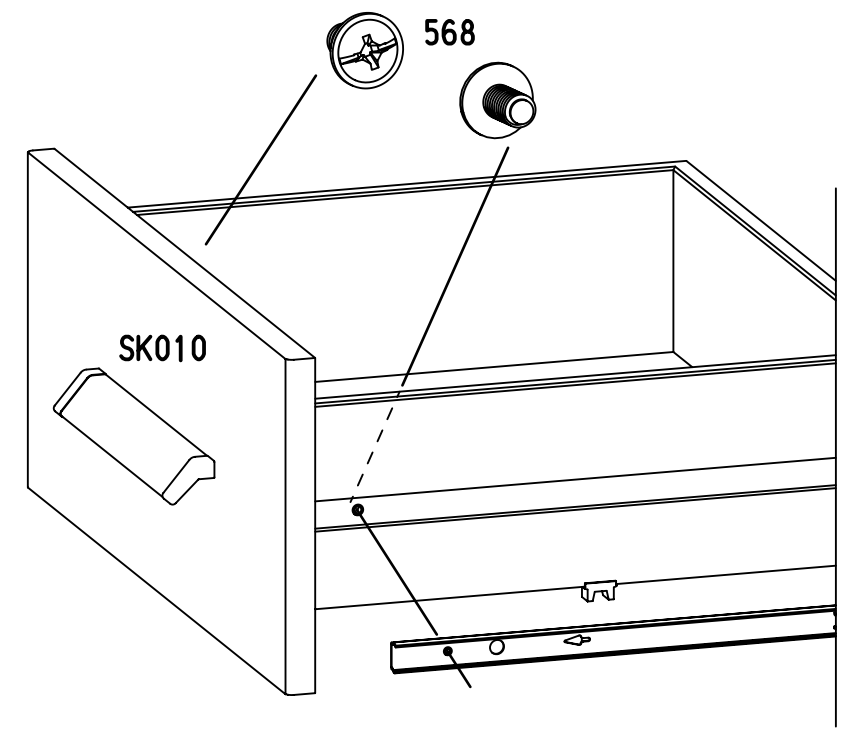
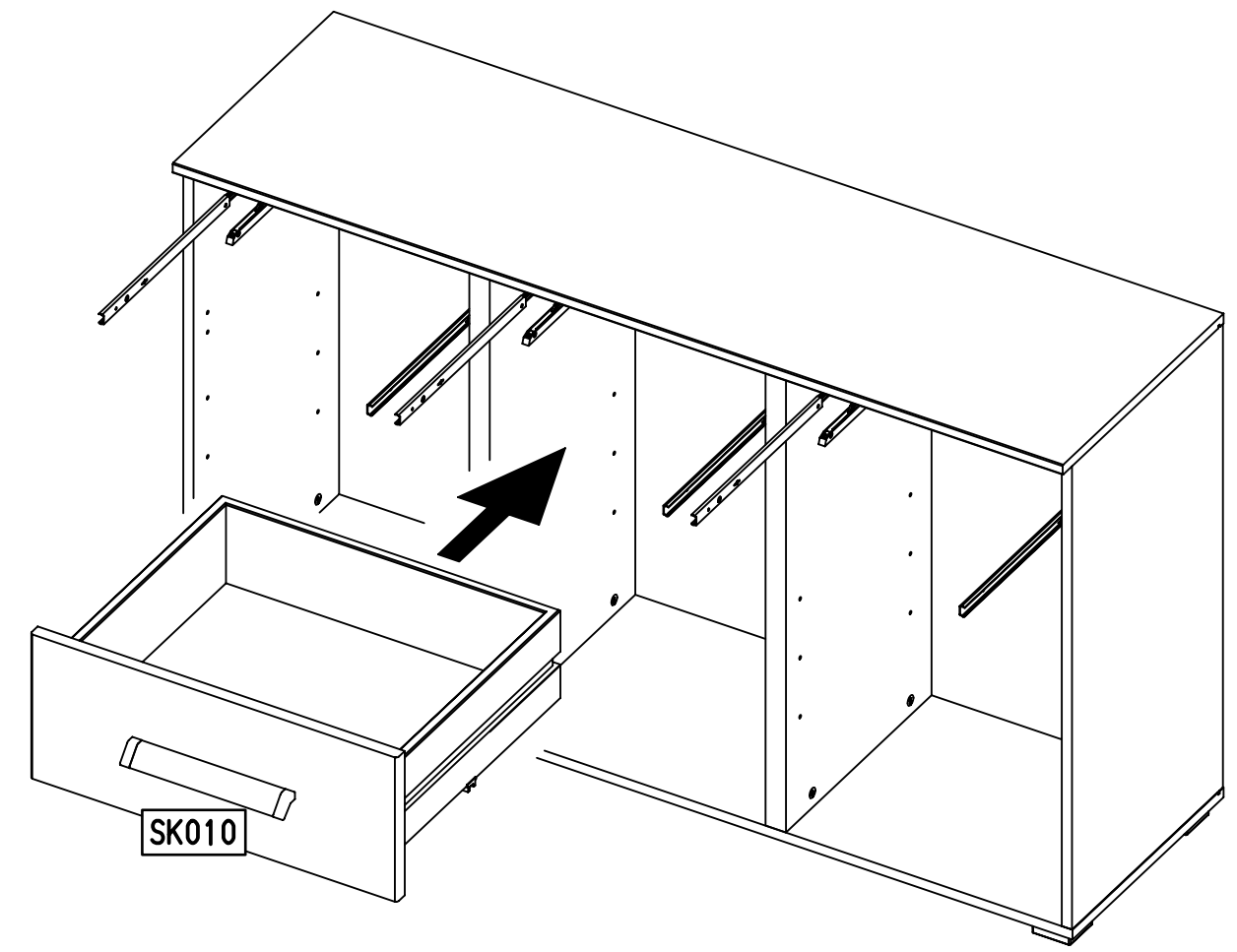
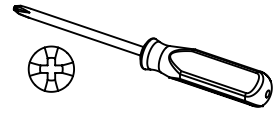
28.

24

6x 568



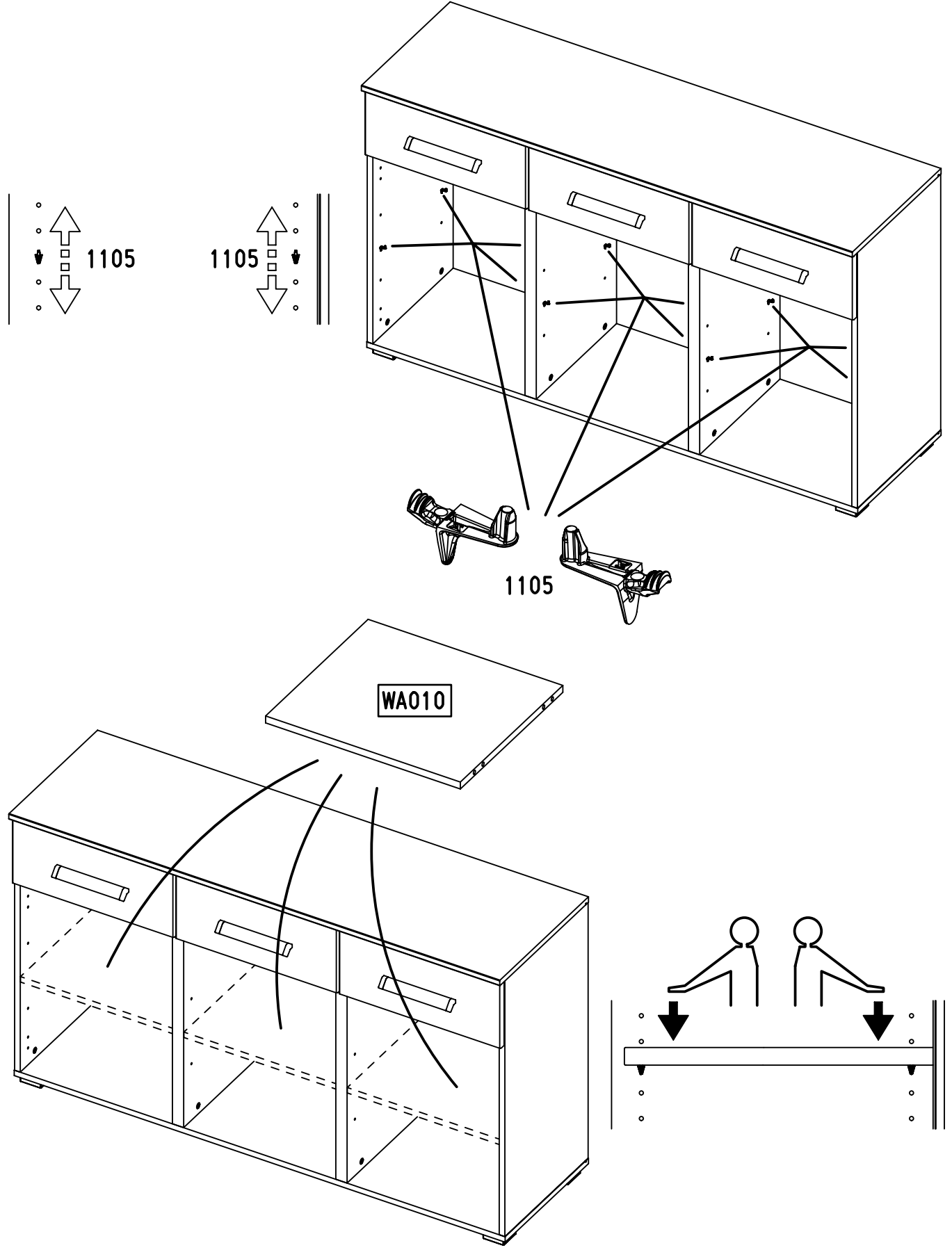
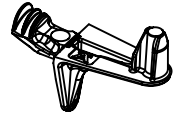
M4x9



M2122

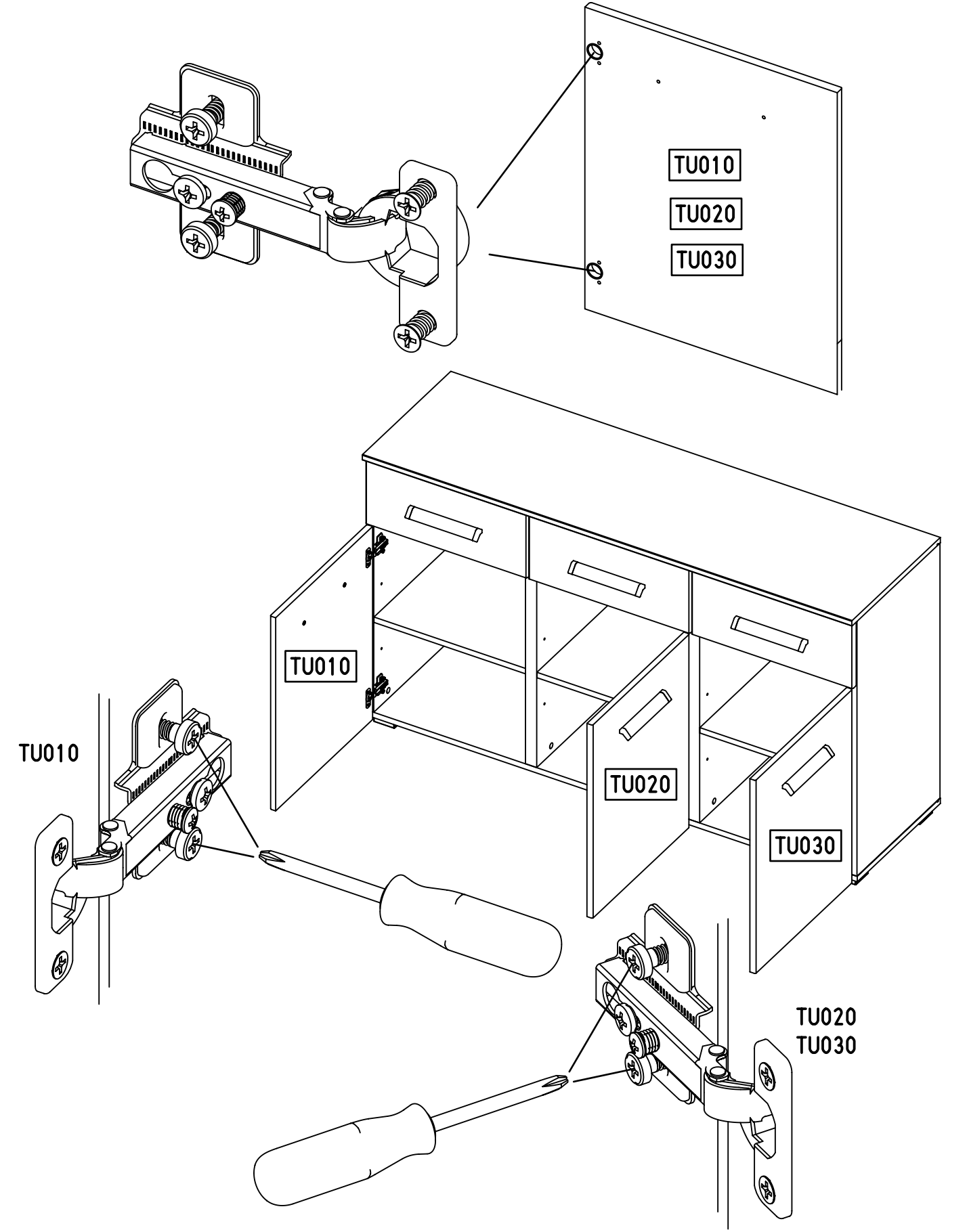
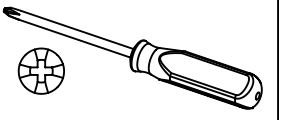
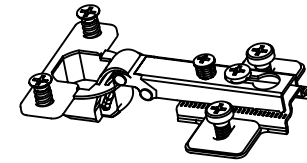
25

12x 1105



26

4x 130



27

