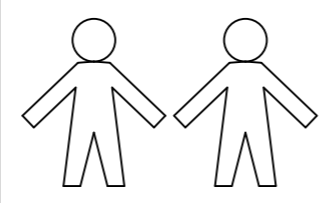
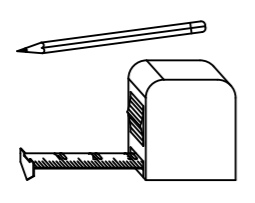
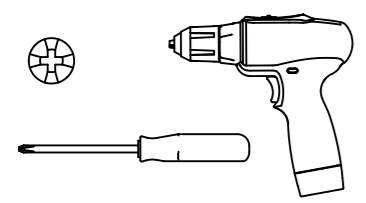
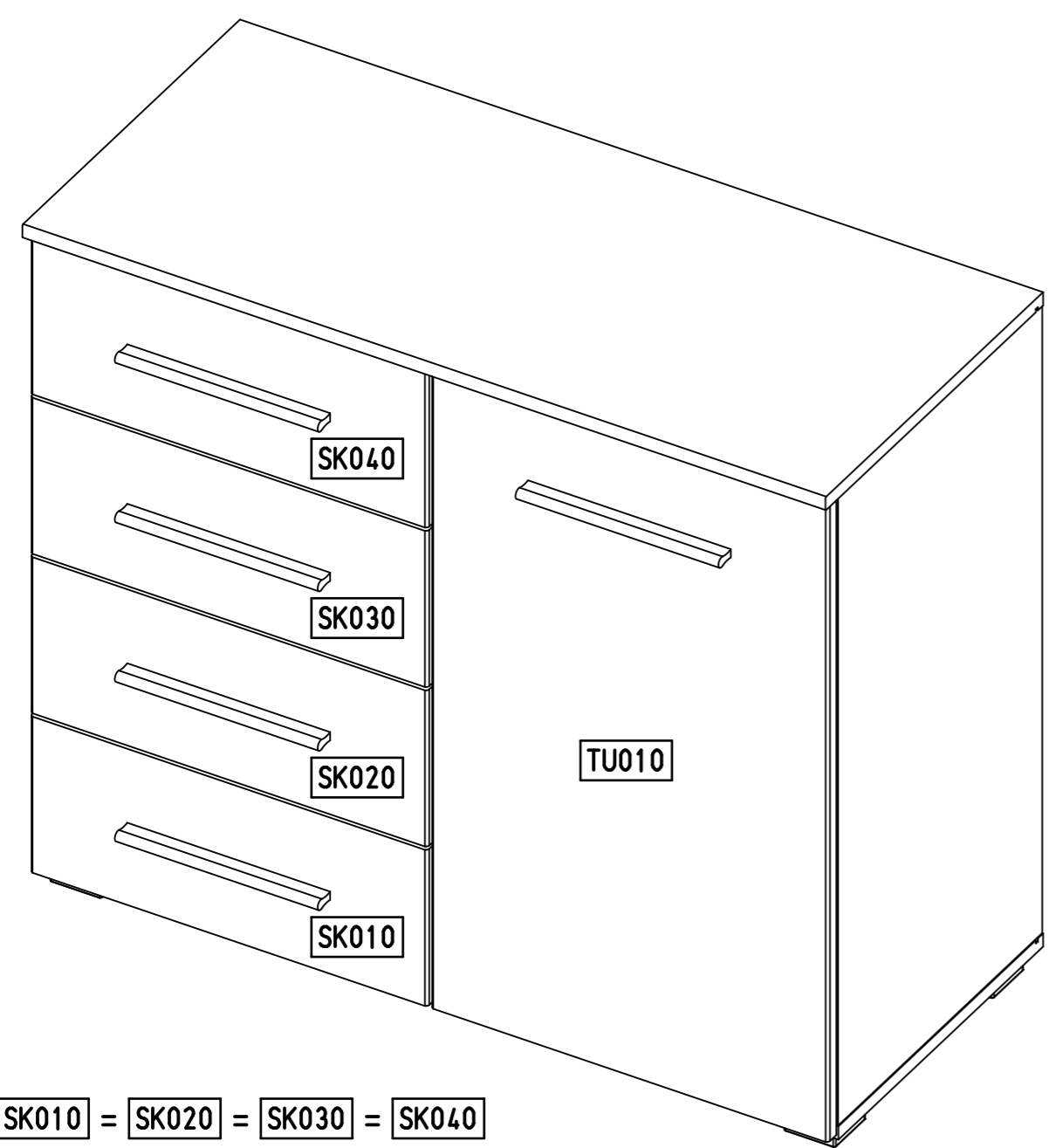


1.

M2104\_04



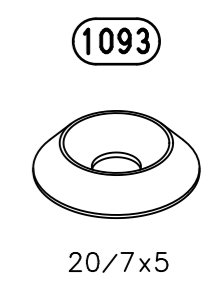
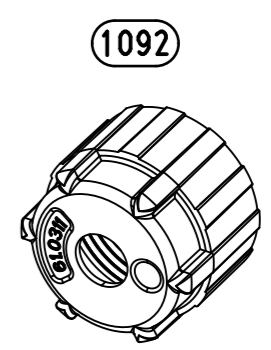
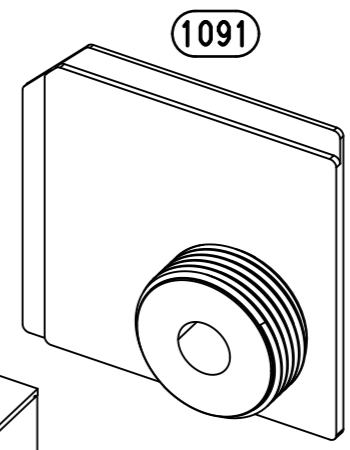
∅8mm  
∅6mm



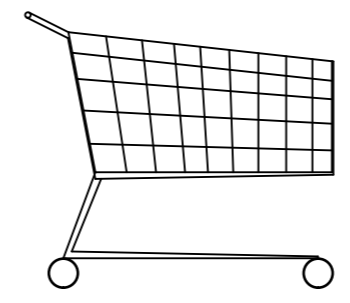
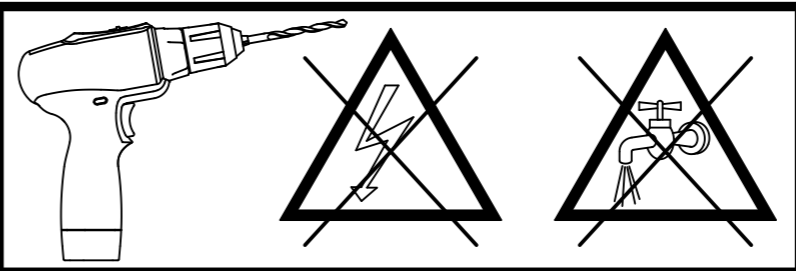
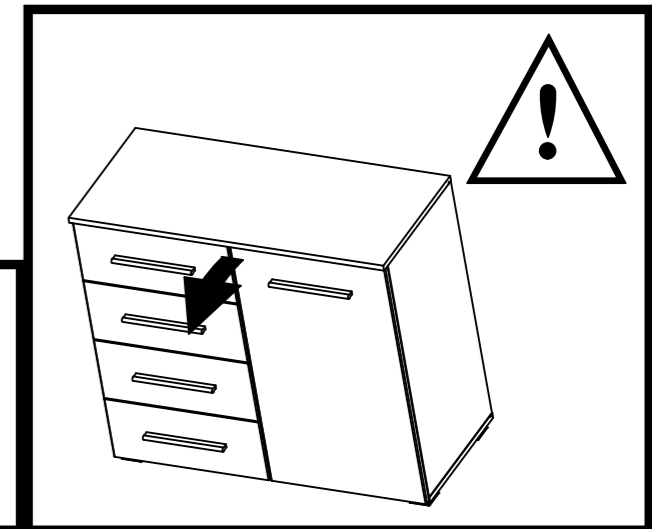
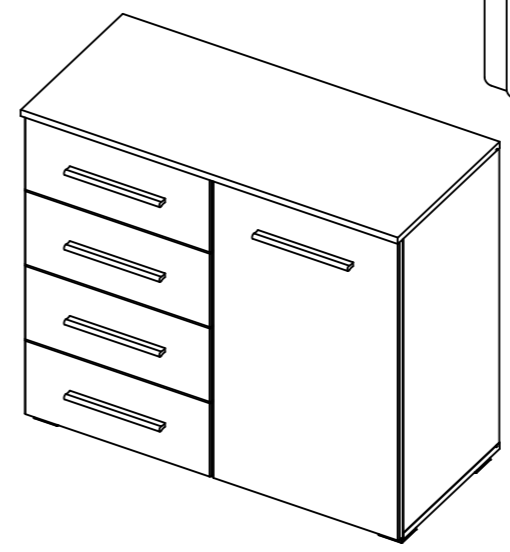
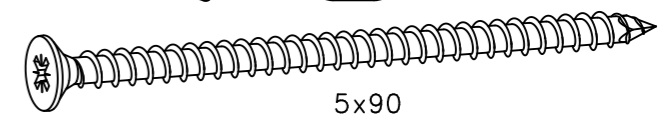
SK010 = SK020 = SK030 = SK040

2.

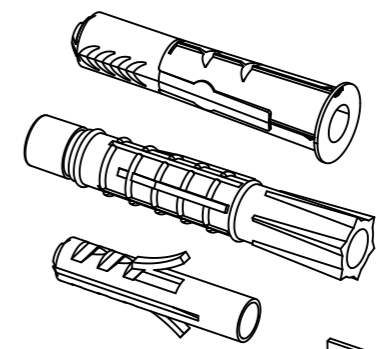
2x



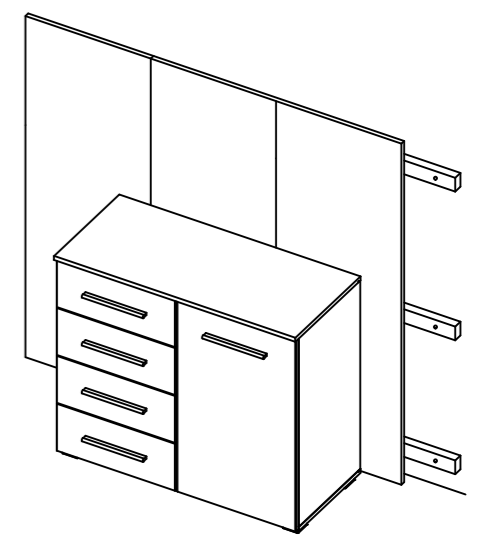
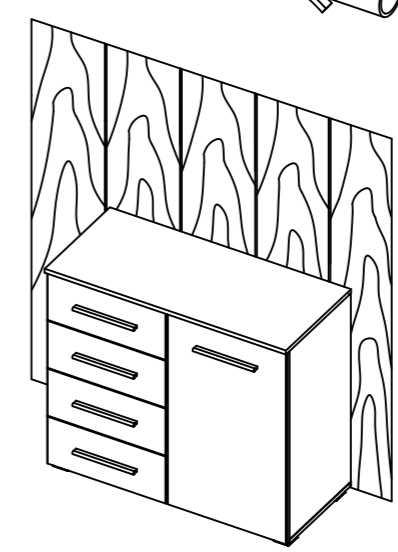
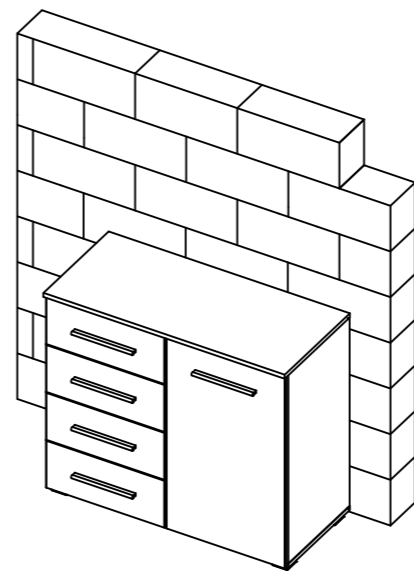
1147

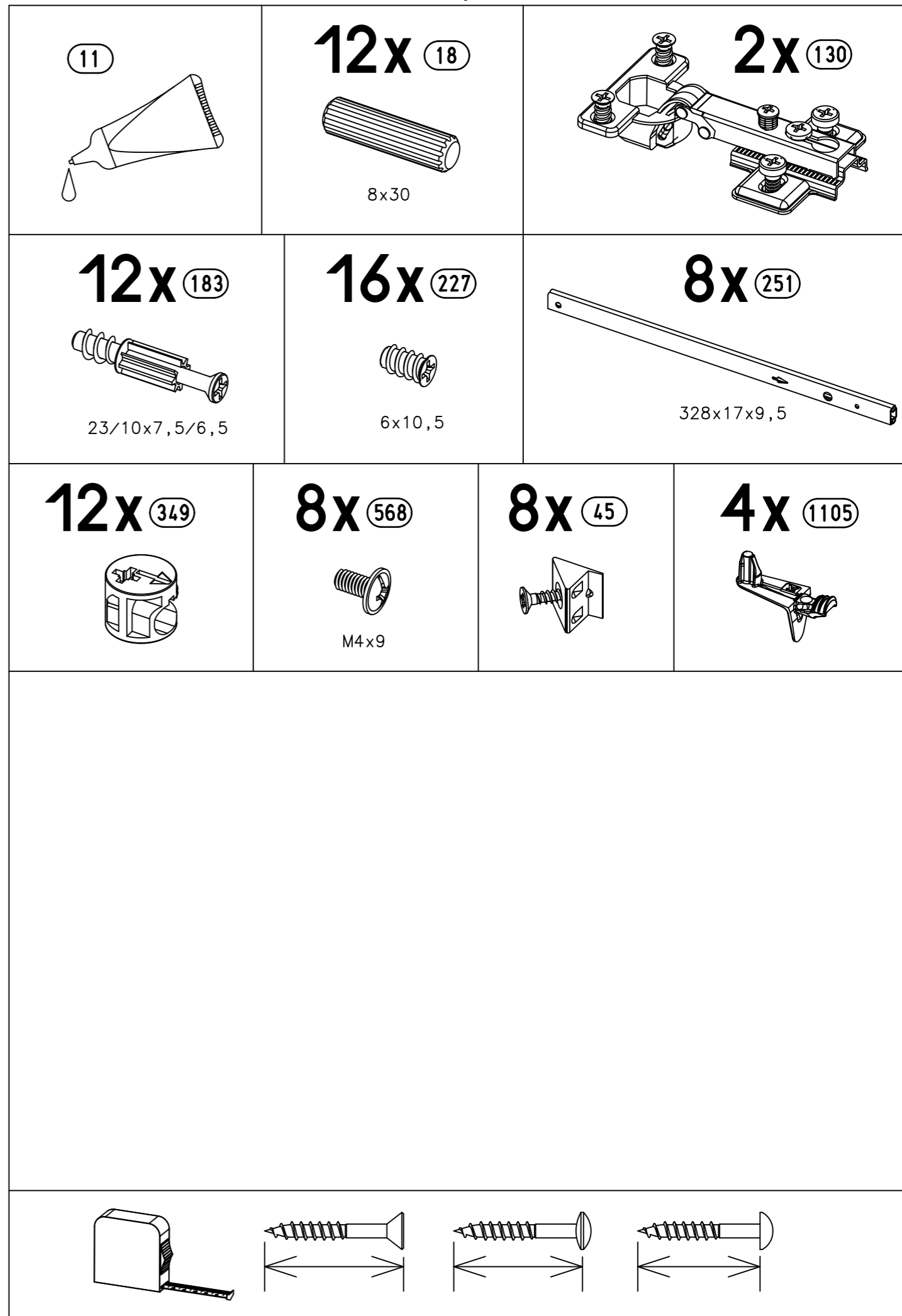
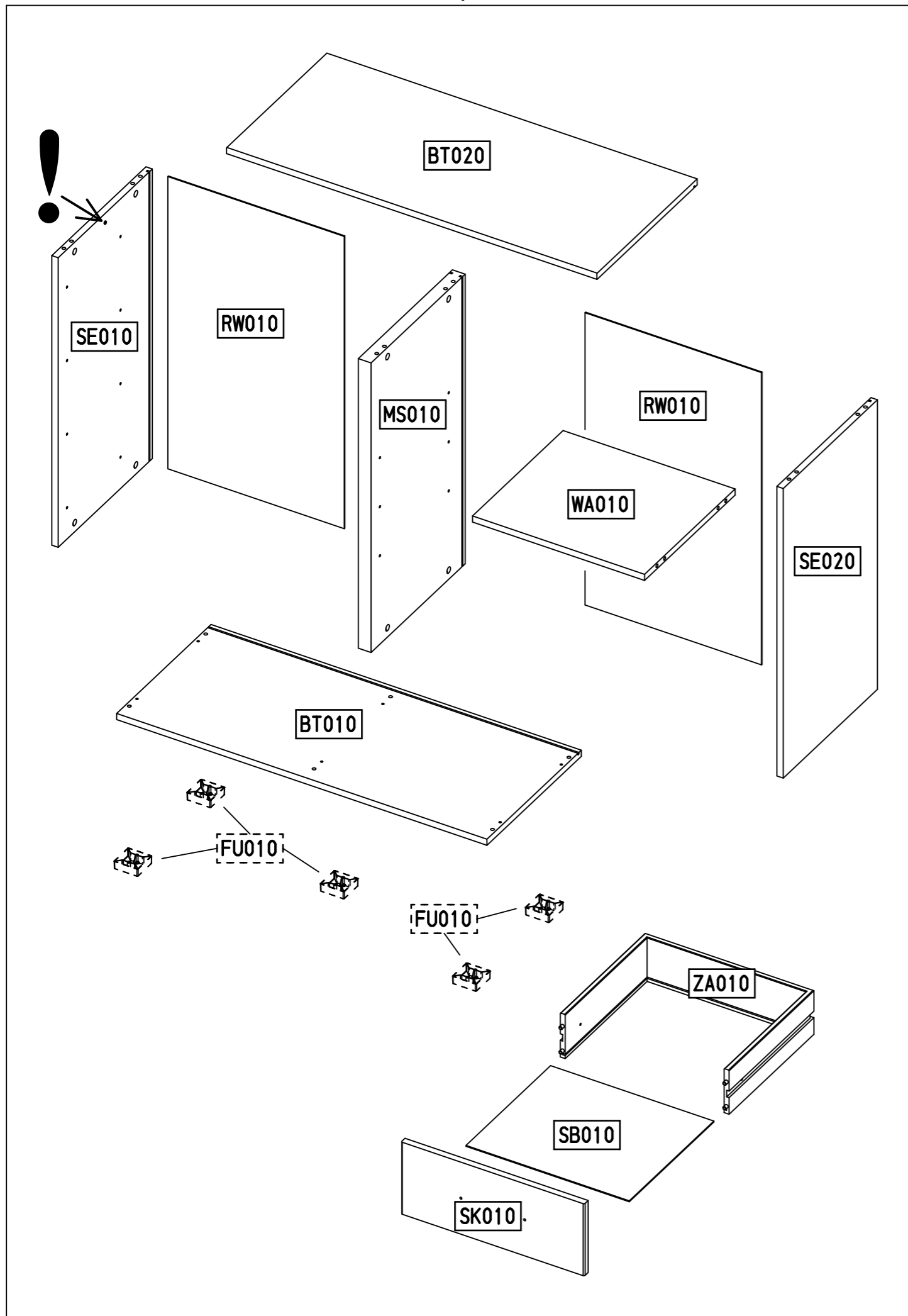


∅8mm



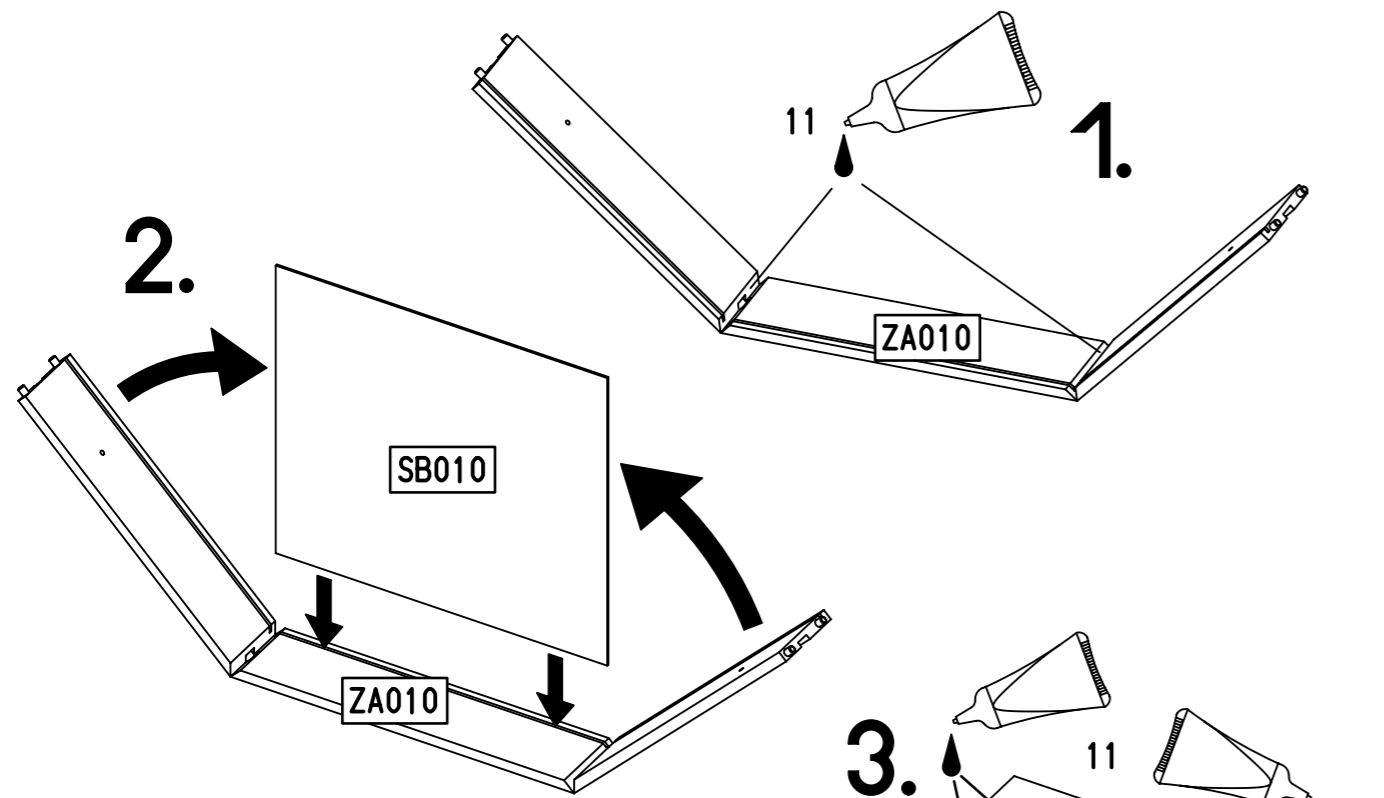
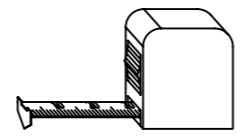
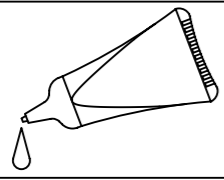
?



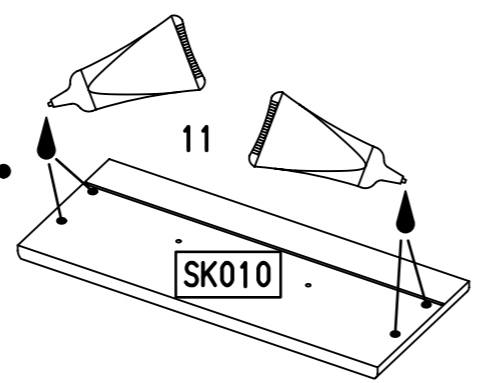


1

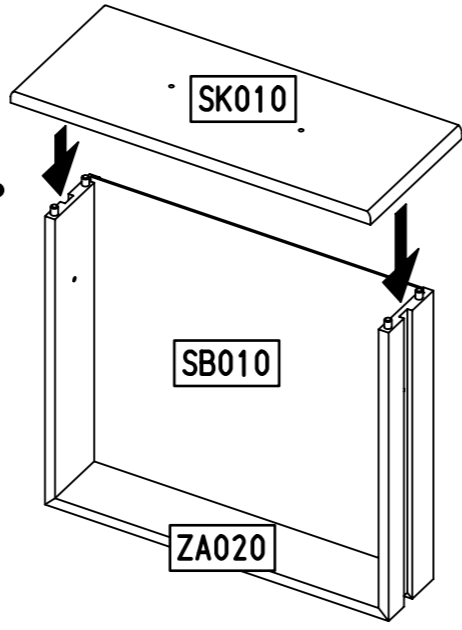
11



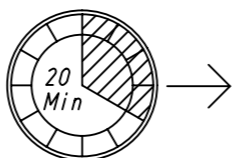
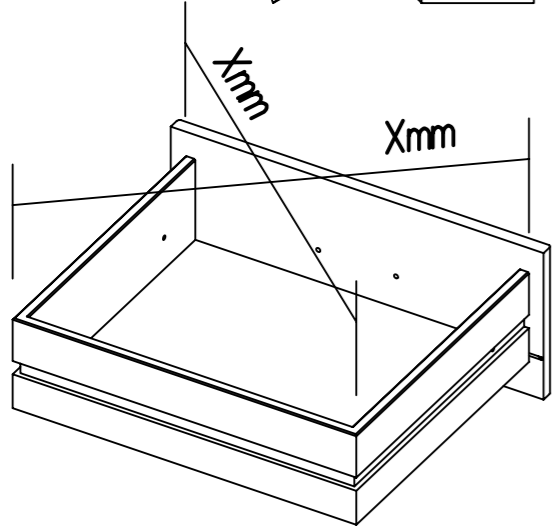
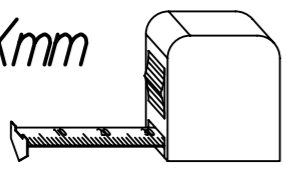
3.



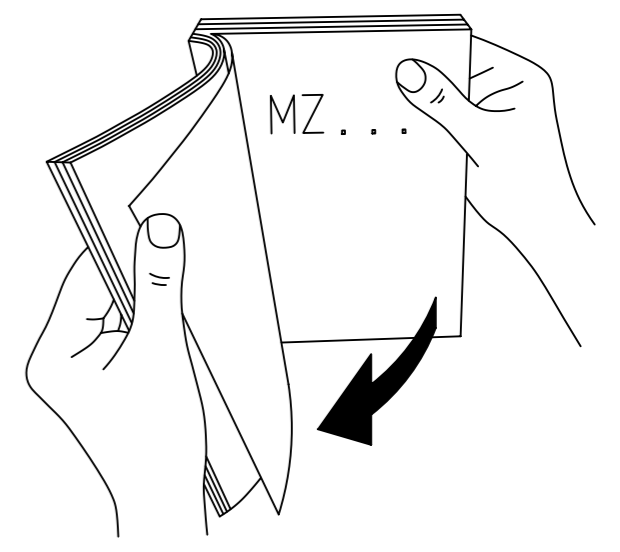
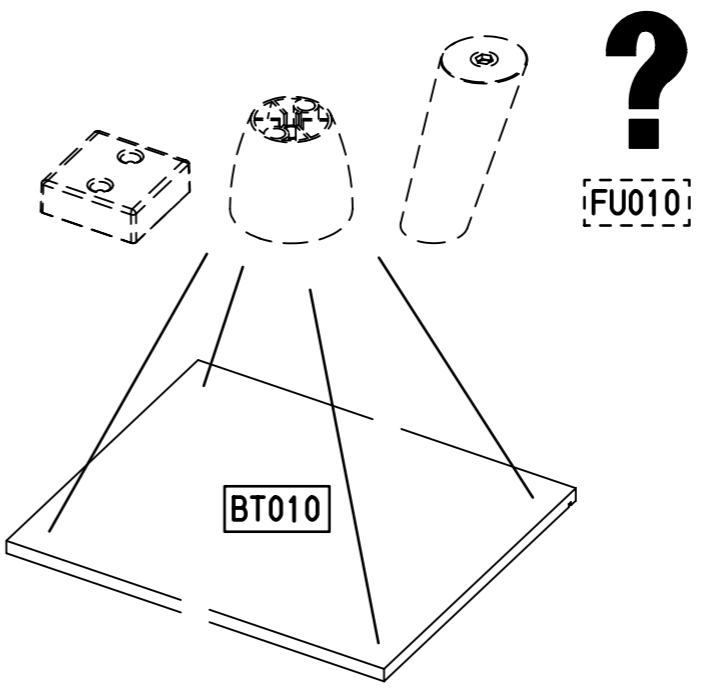
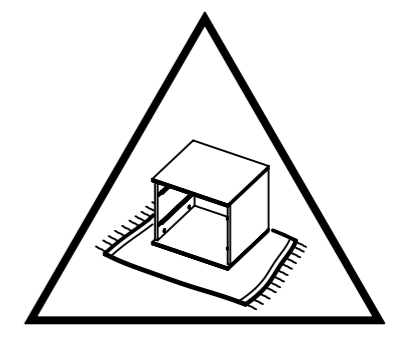
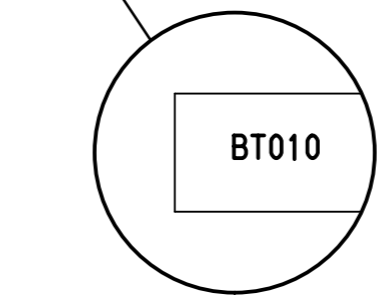
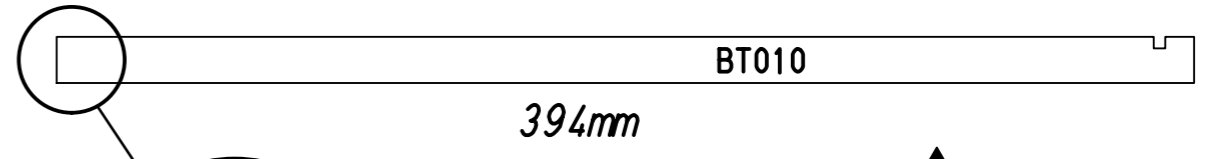
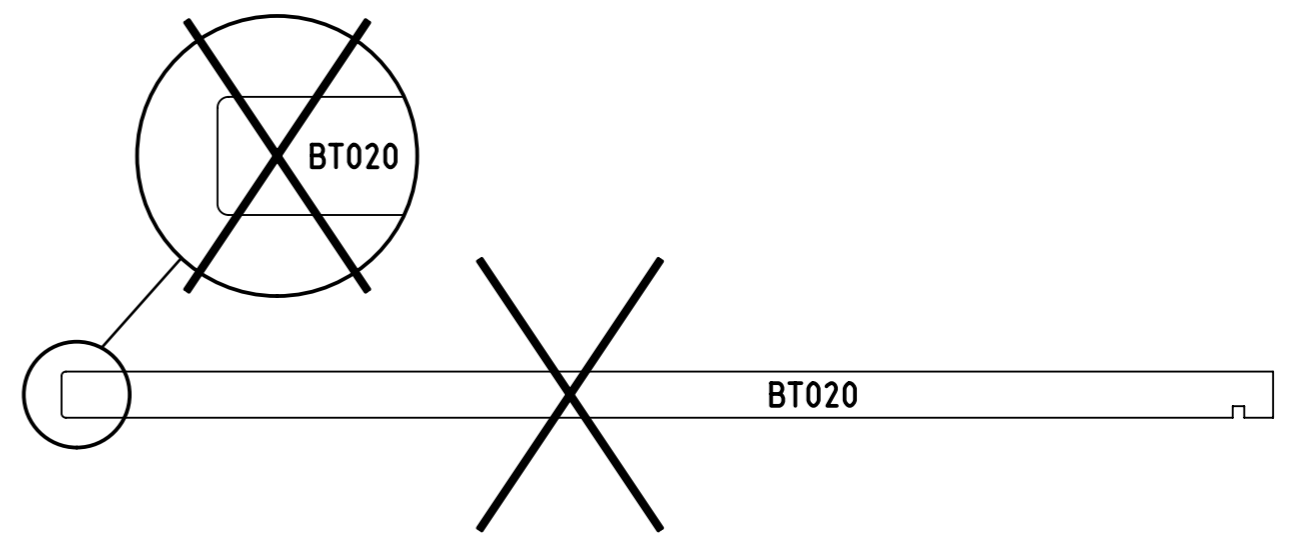
4.



Xmm = Xmm

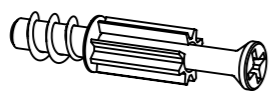


2

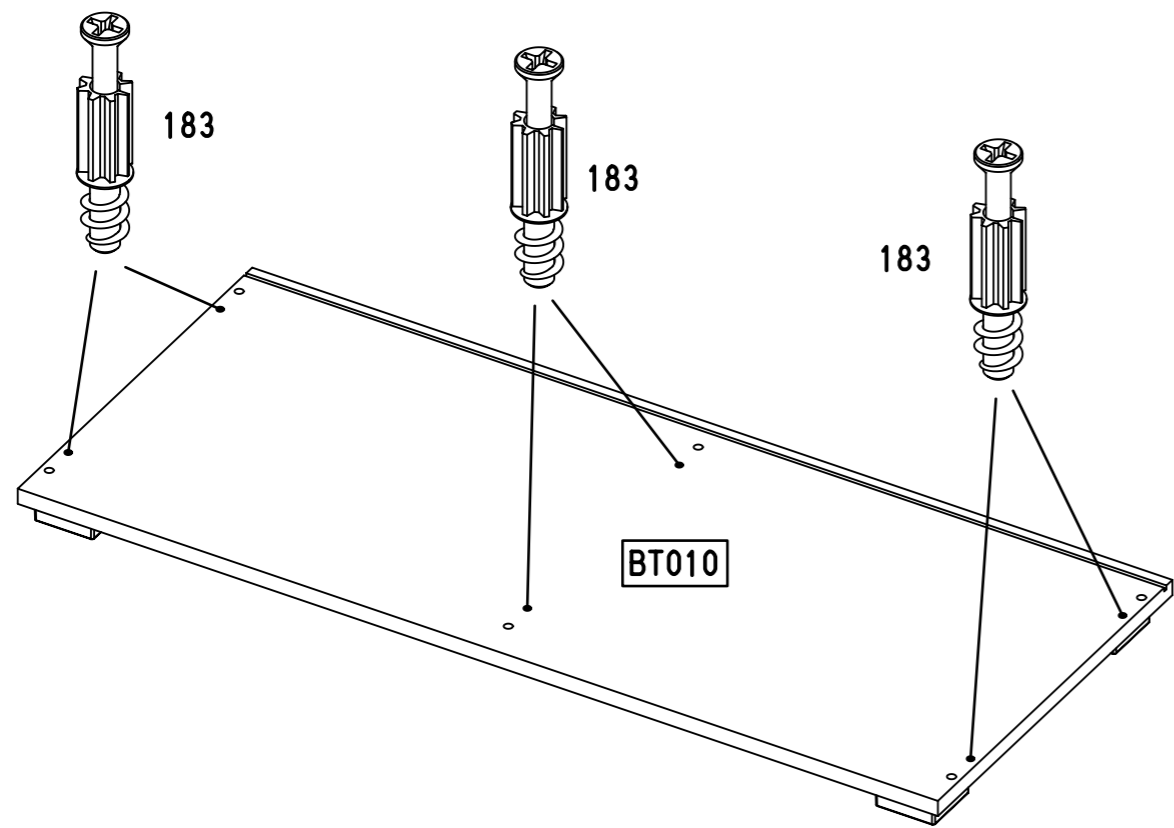
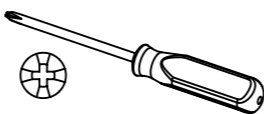


3

6x 183

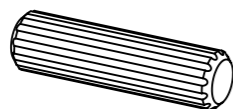


23/10x7,5/6,5

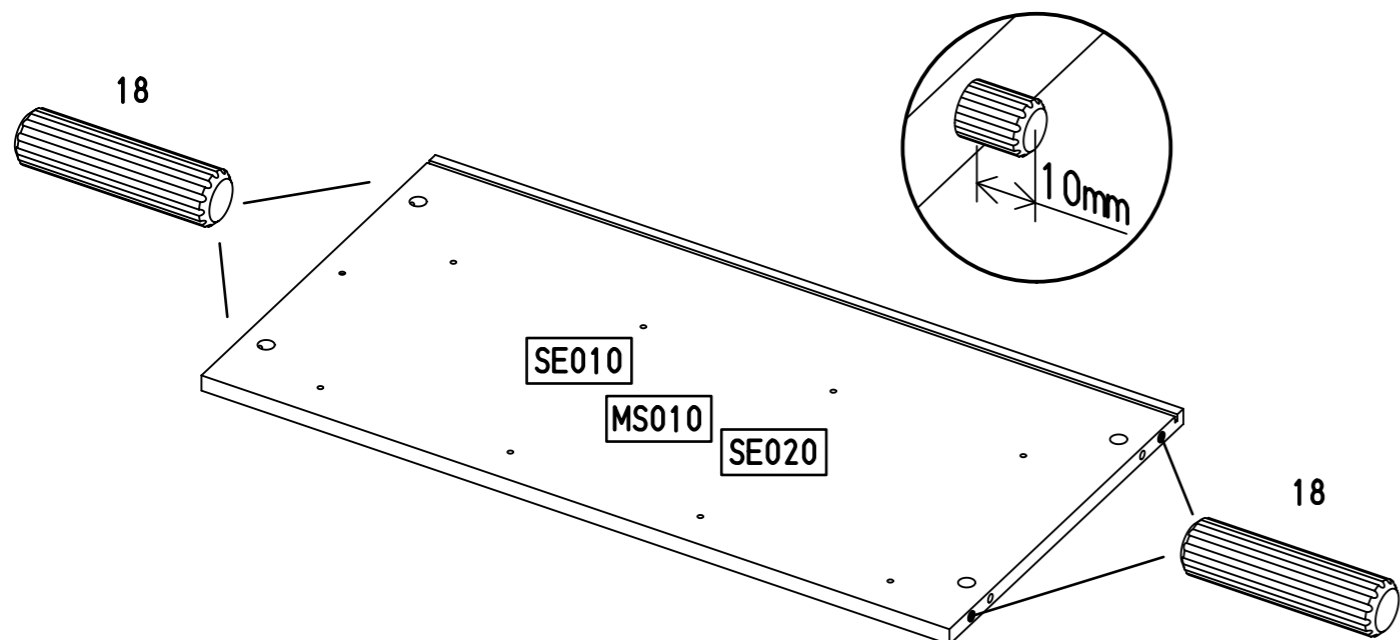


4

12x 18

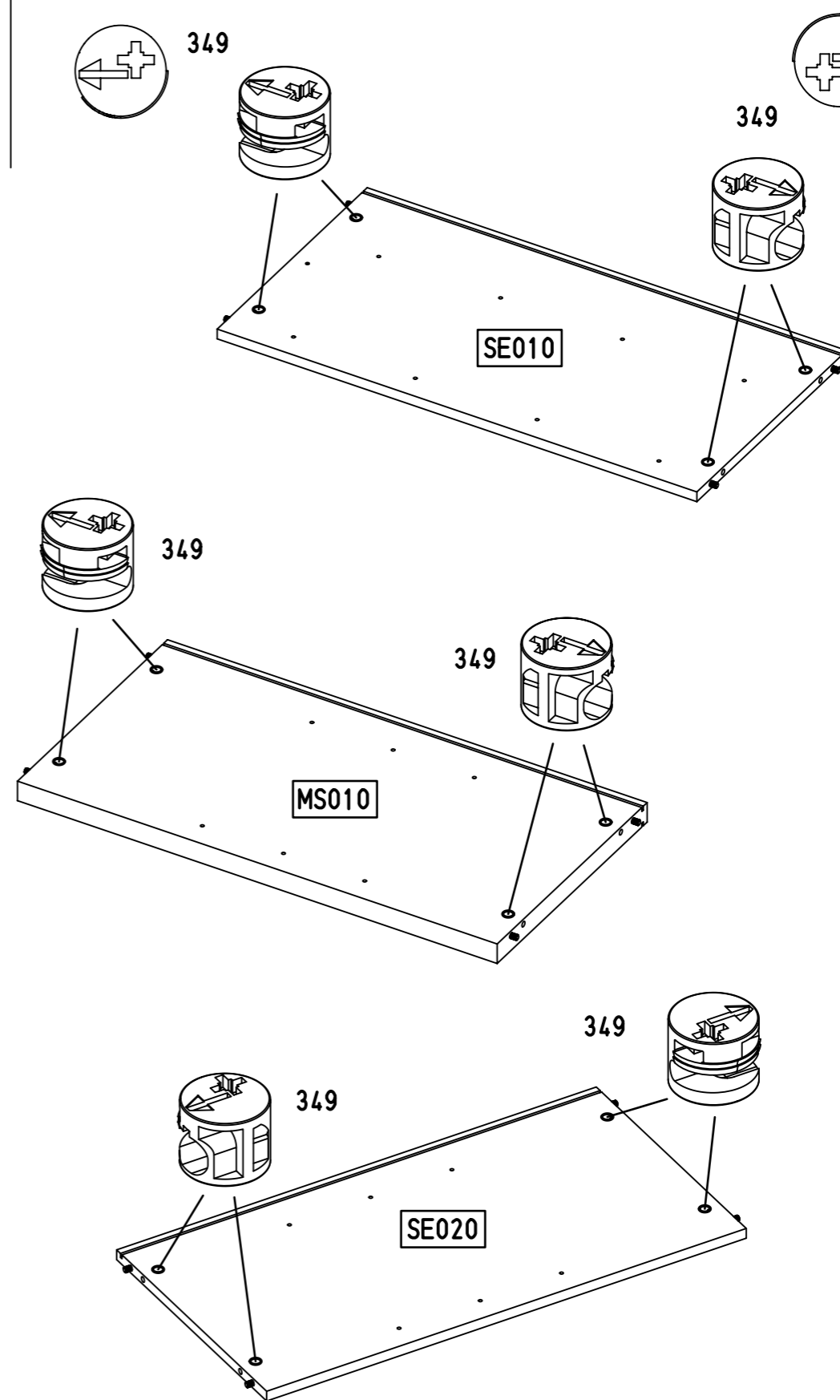
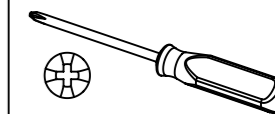


8x30



5

12x 349

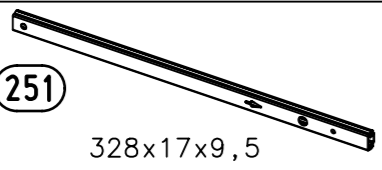


9.

6

4x

251



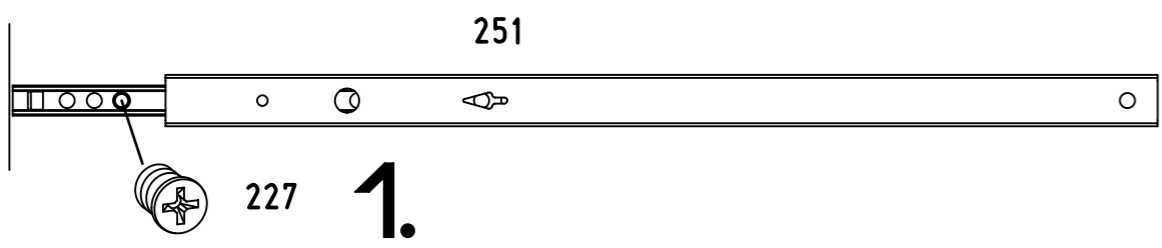
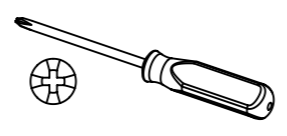
328x17x9,5

8x

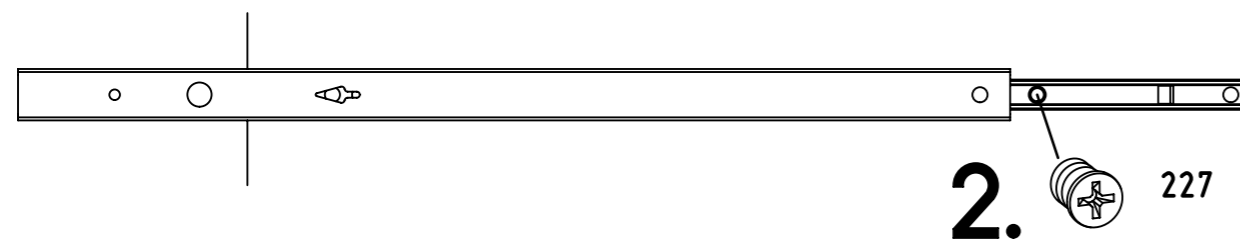
227



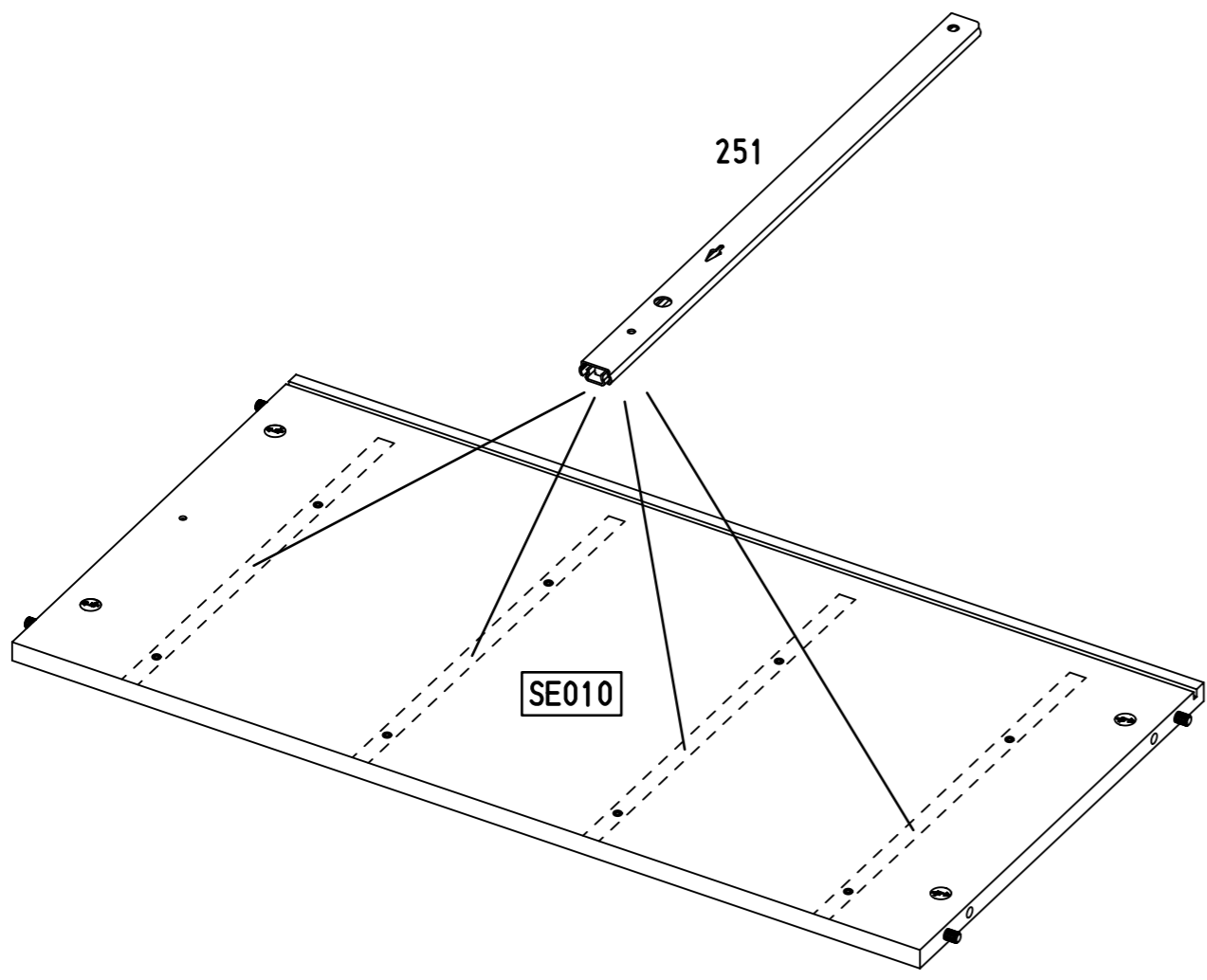
6x10,5



1.



2.



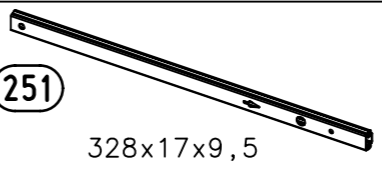
SE010

10.

7

4x

251



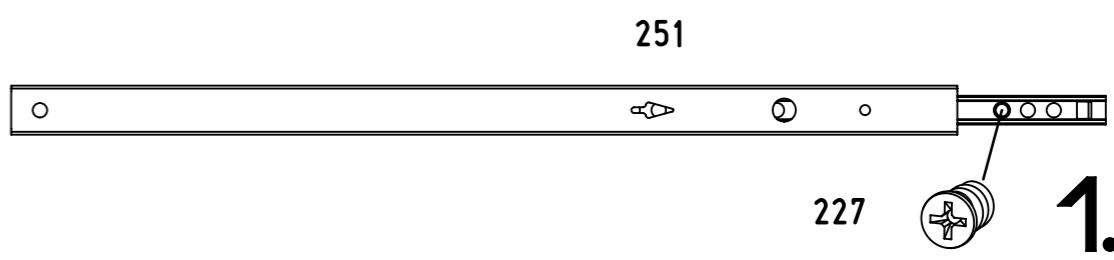
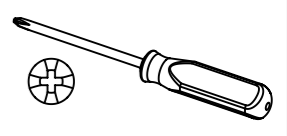
328x17x9,5

8x

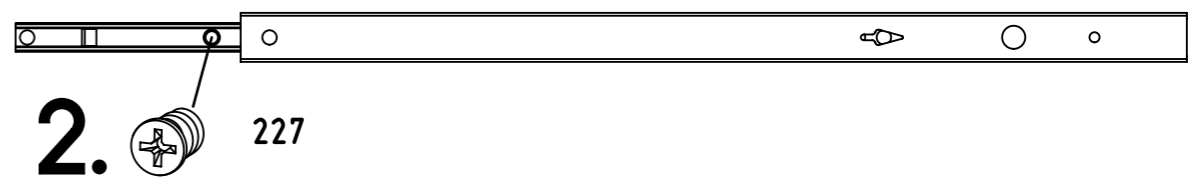
227



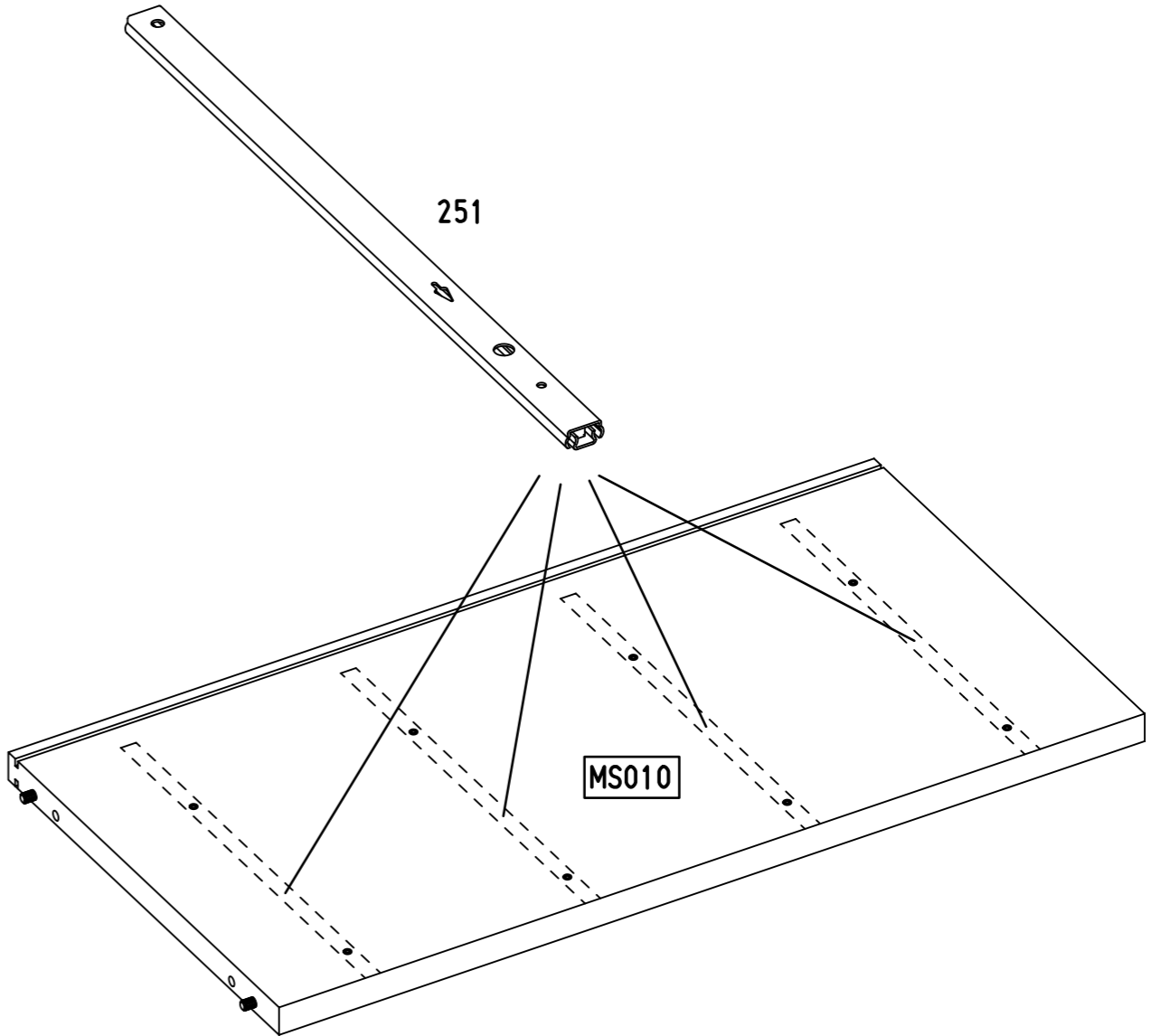
6x10,5



1.

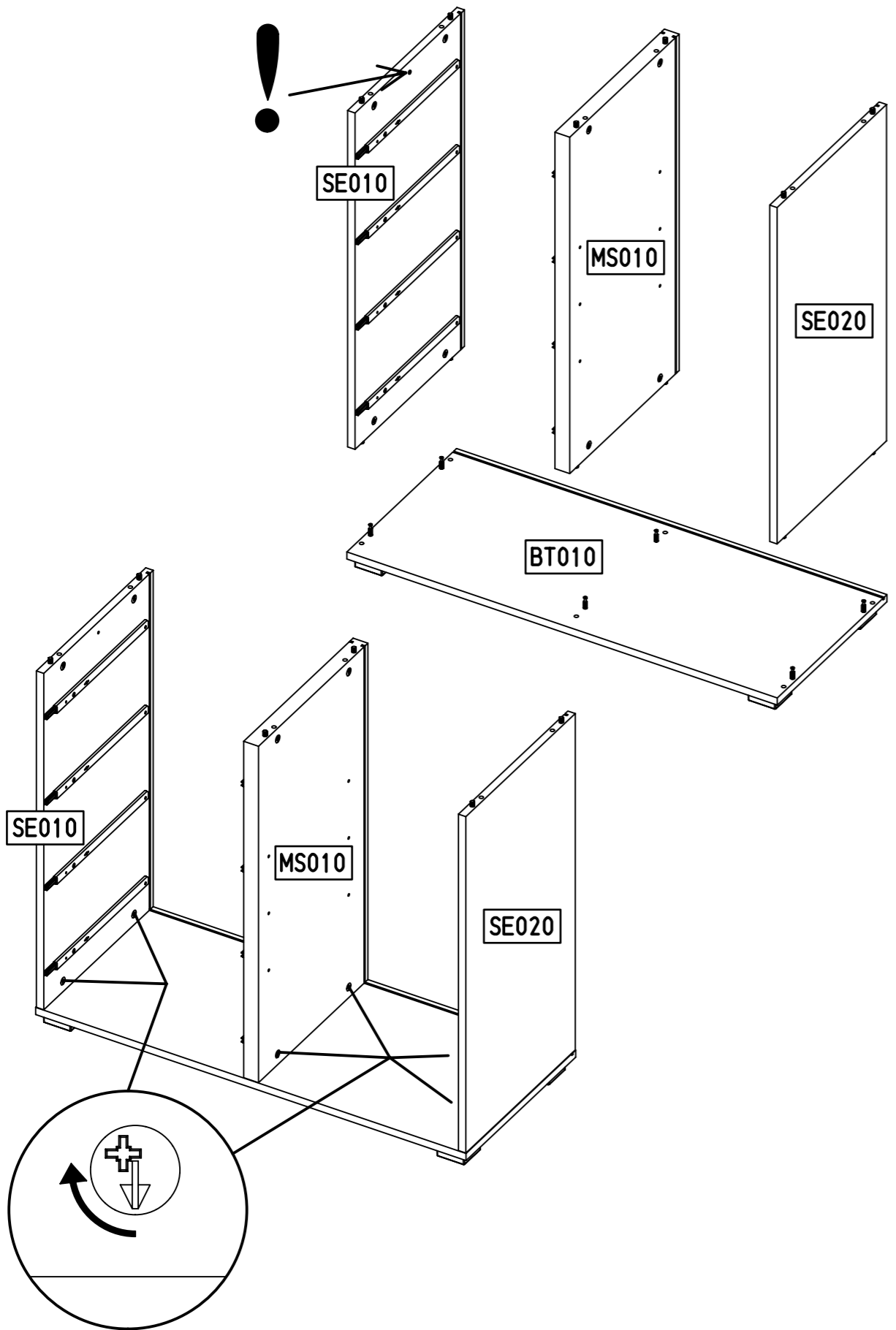
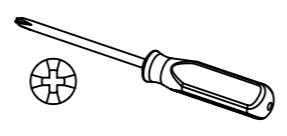


2.

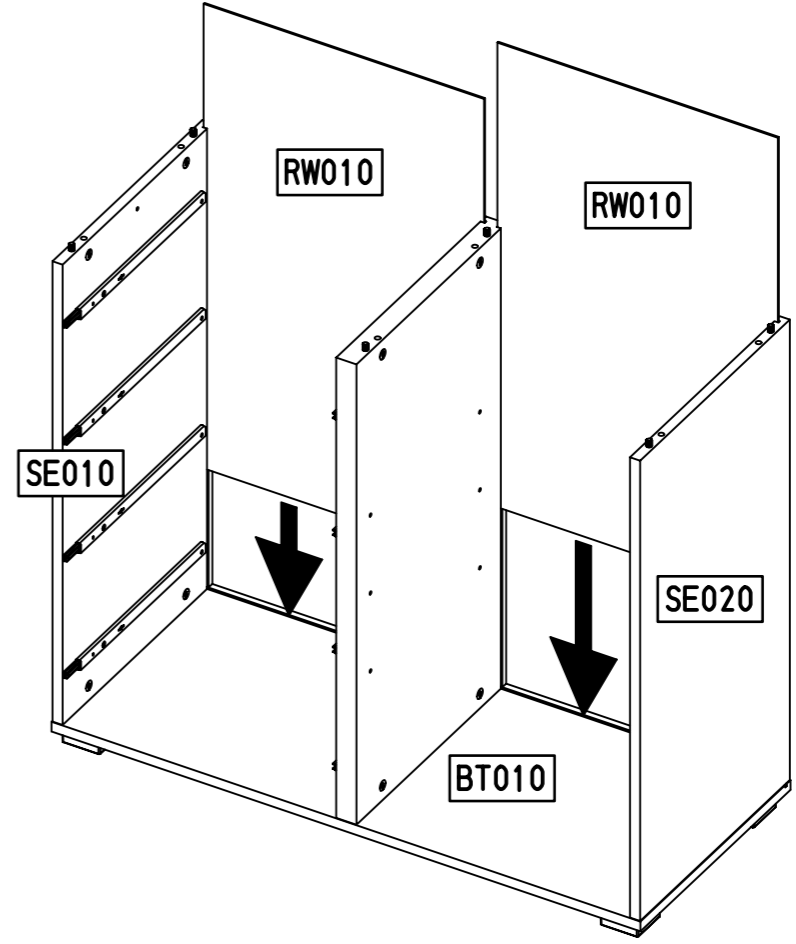


MS010

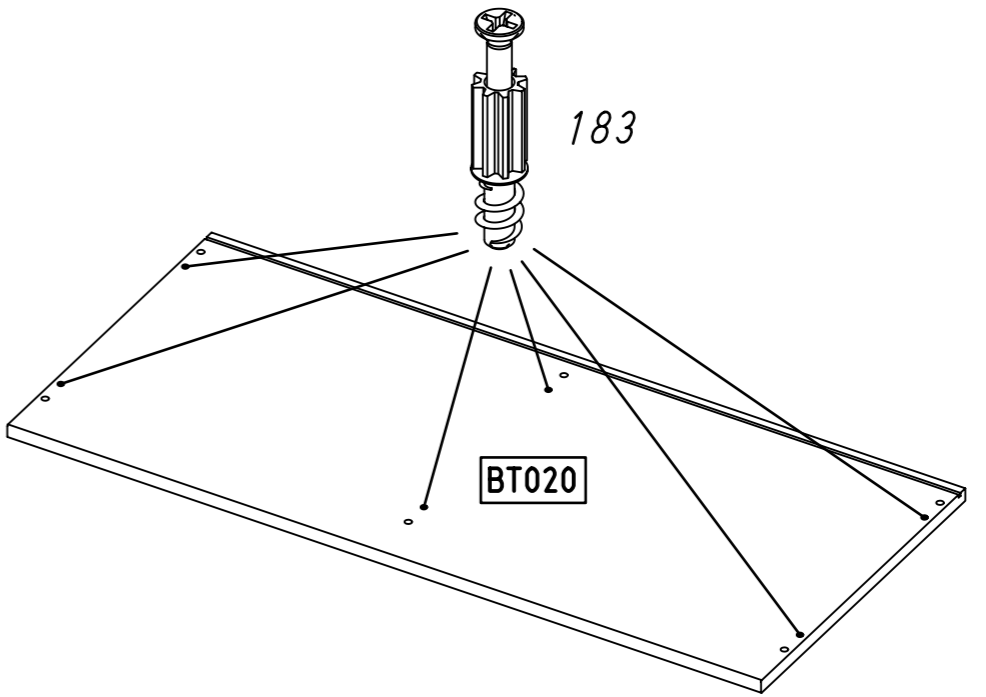
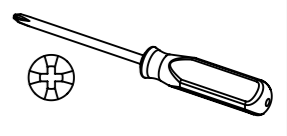
8



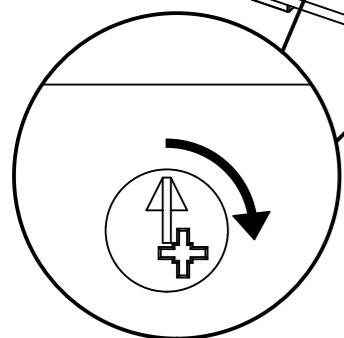
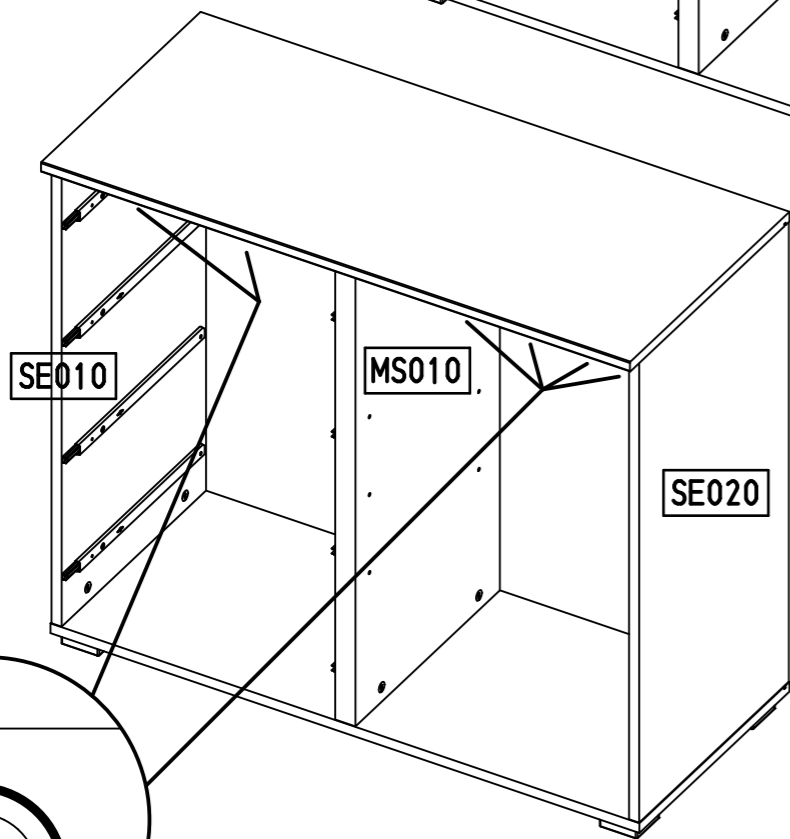
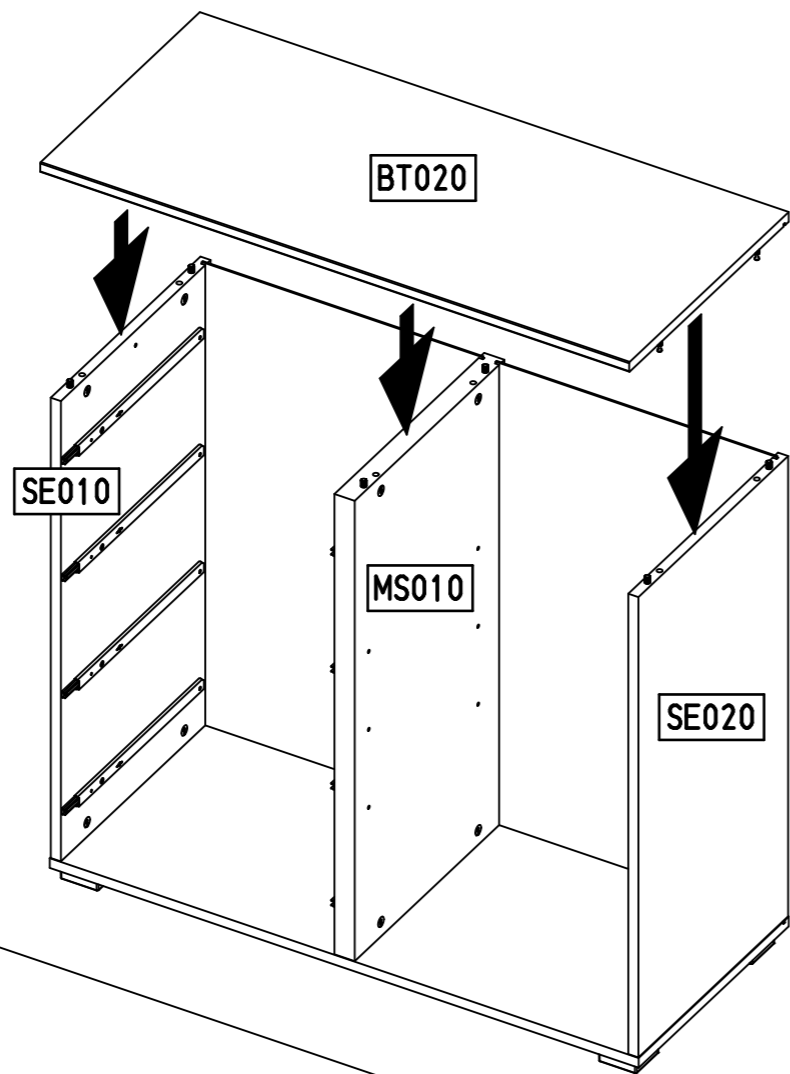
9



10

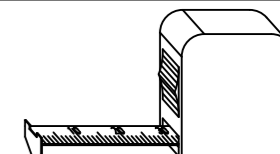
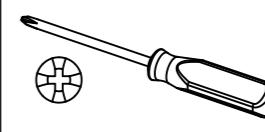
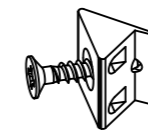


11

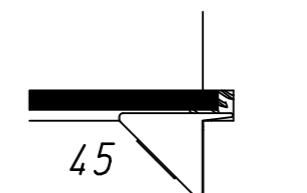
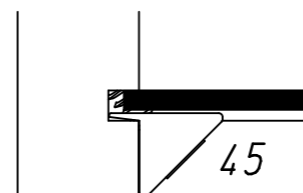
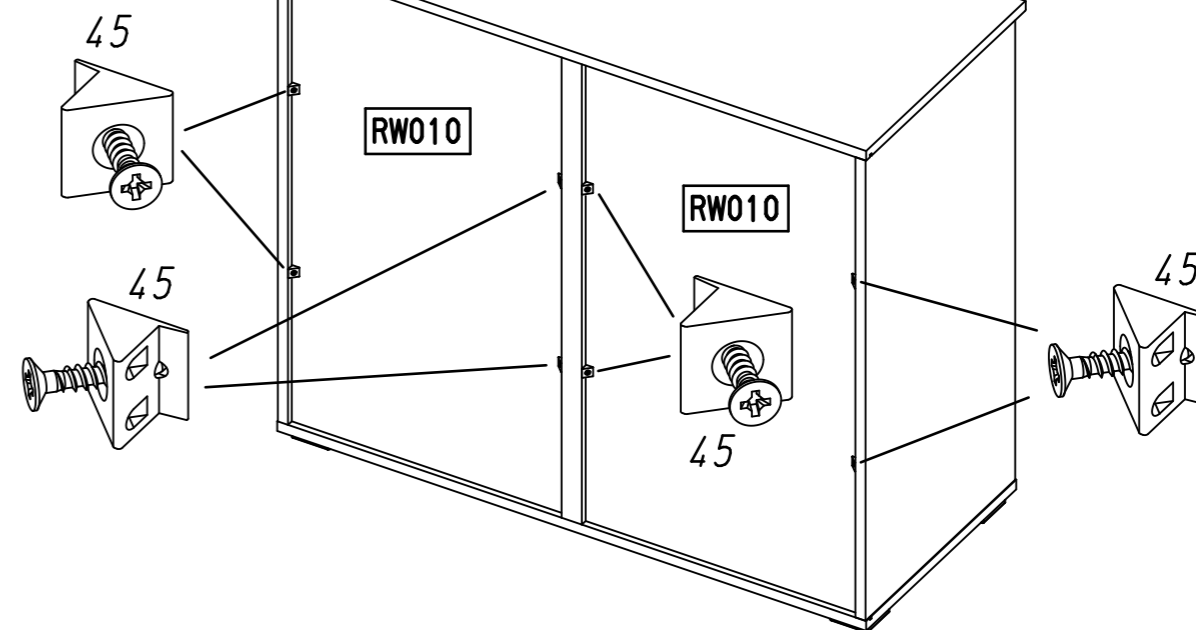
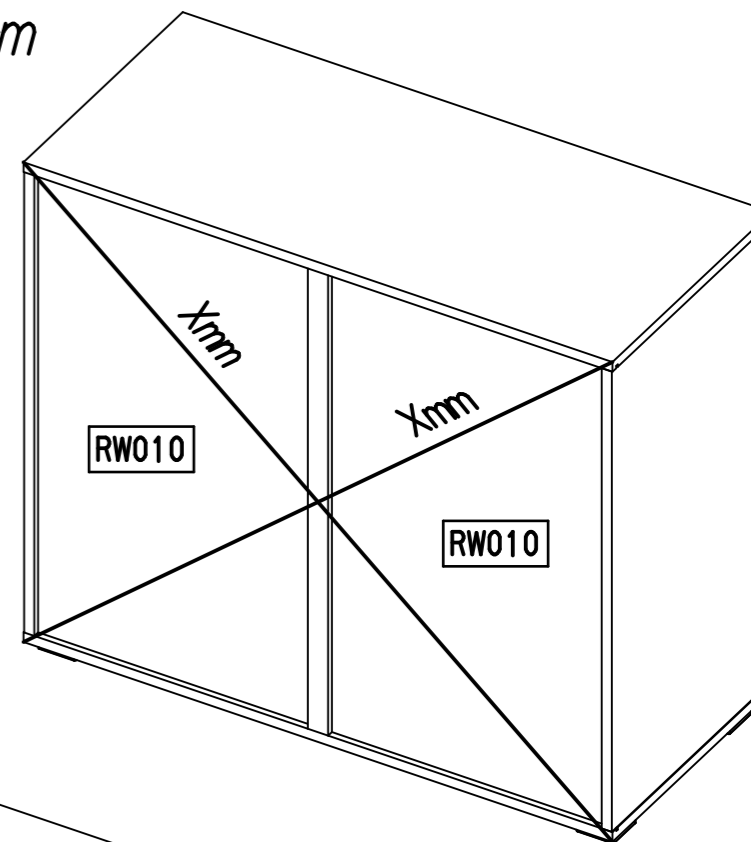
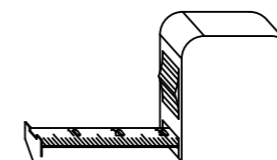


12

2x 45

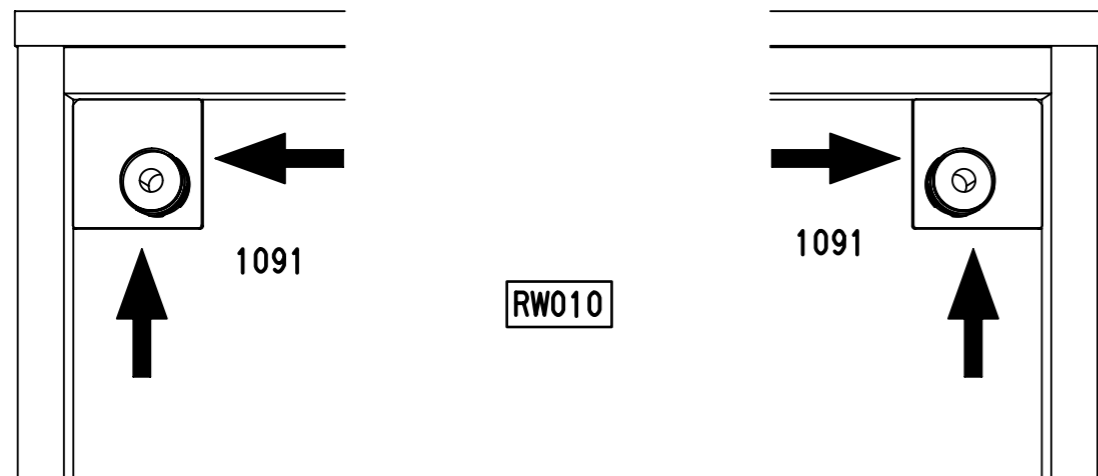
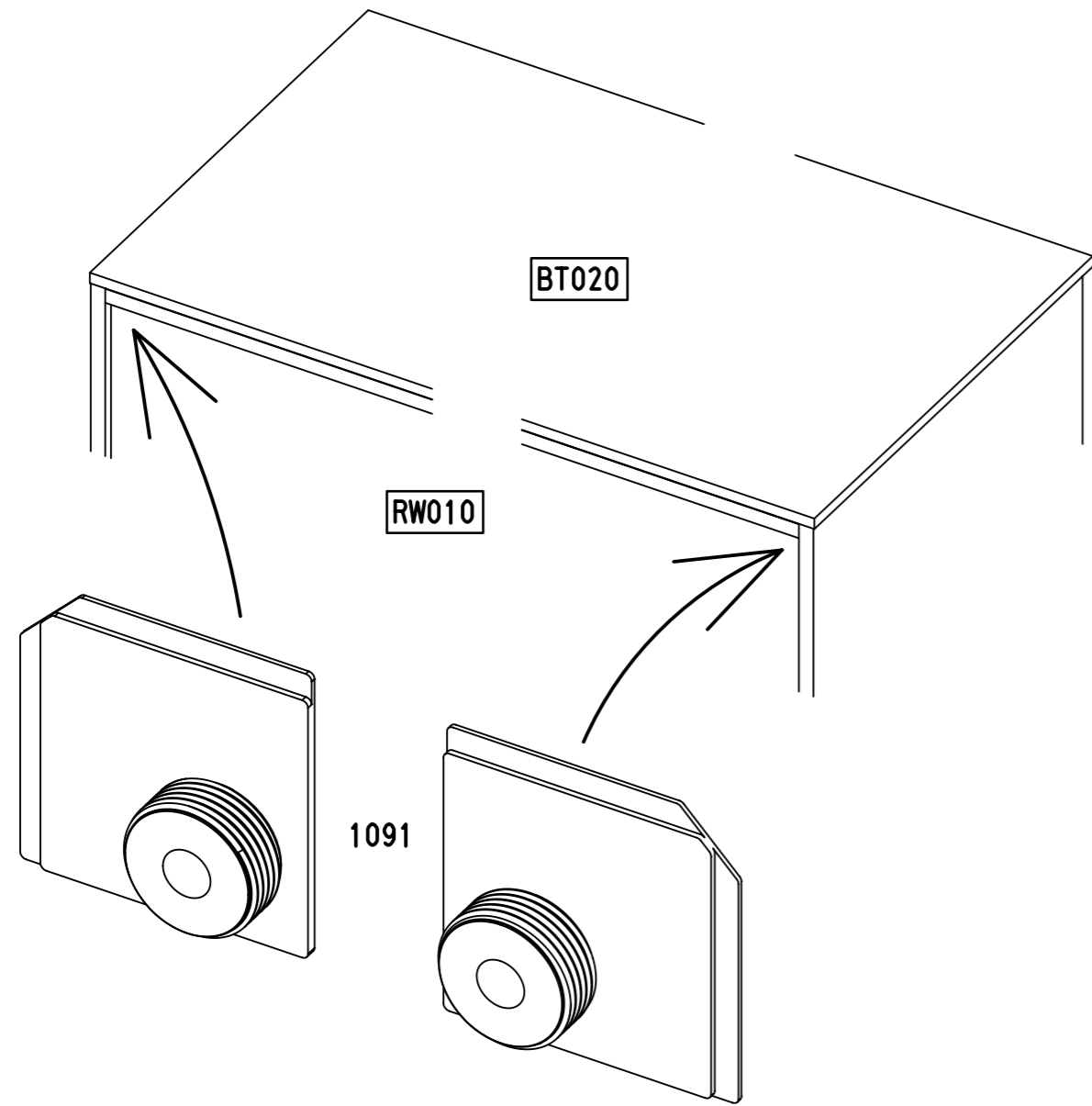
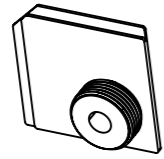


Xmm = Xmm



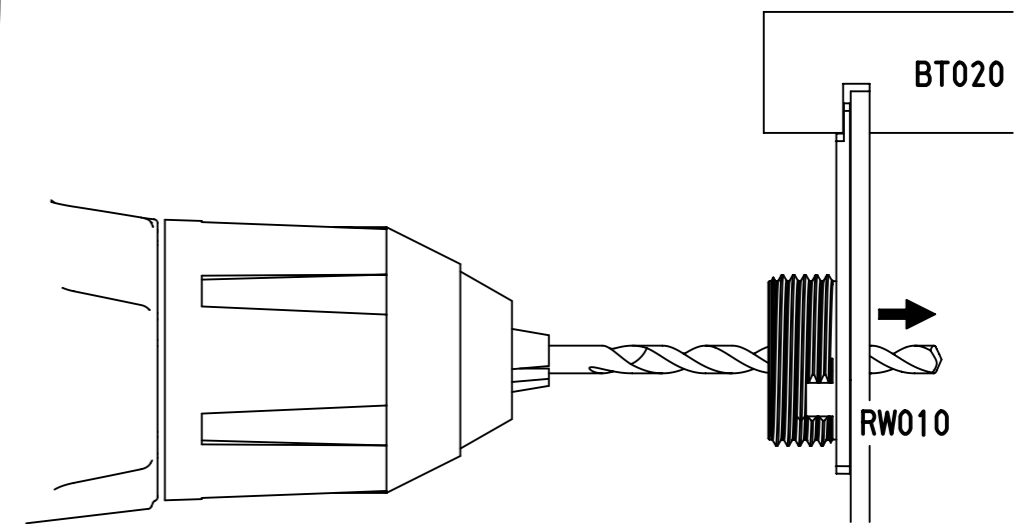
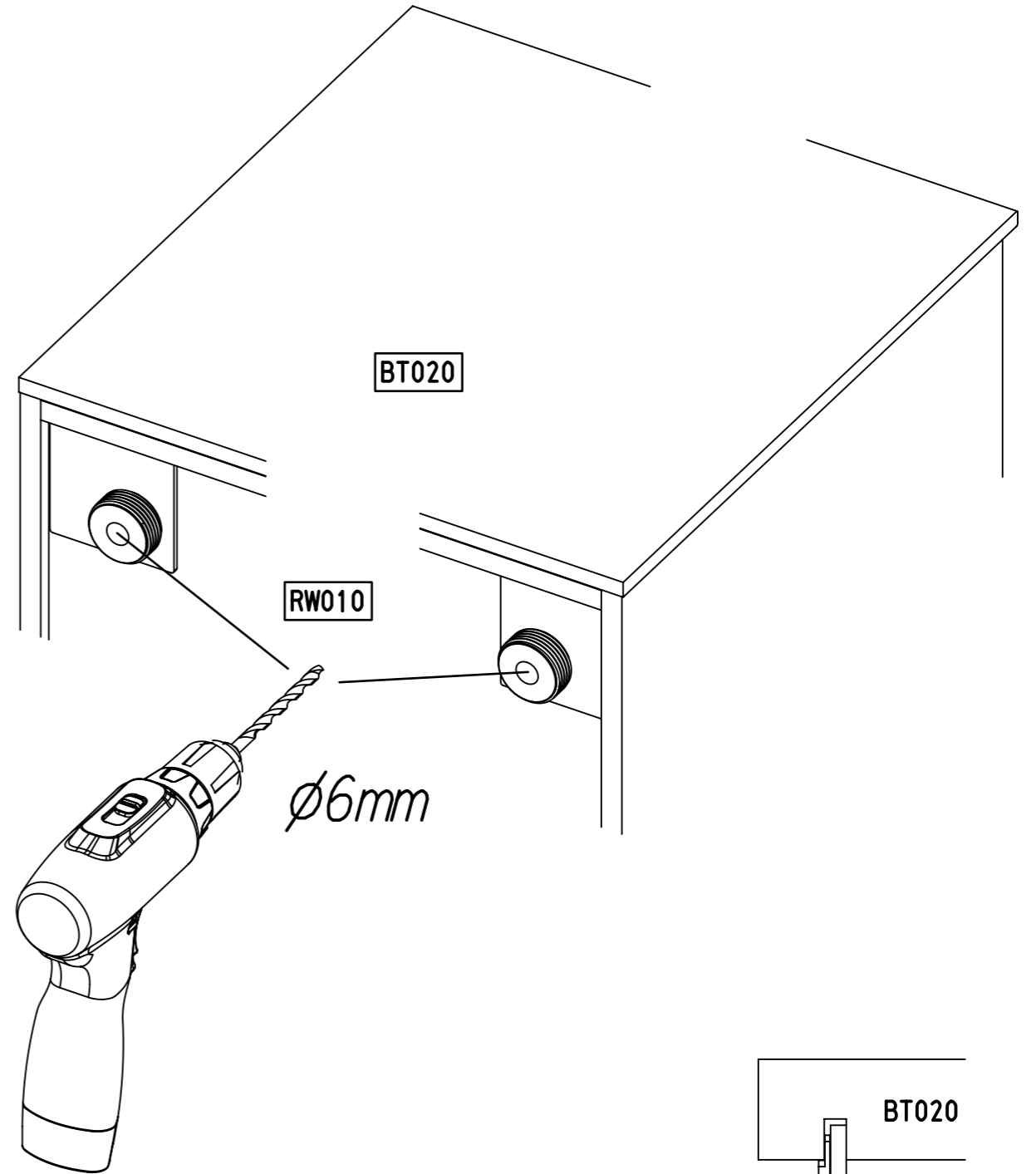
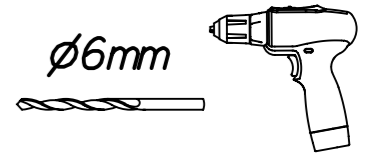
13

2x 1091



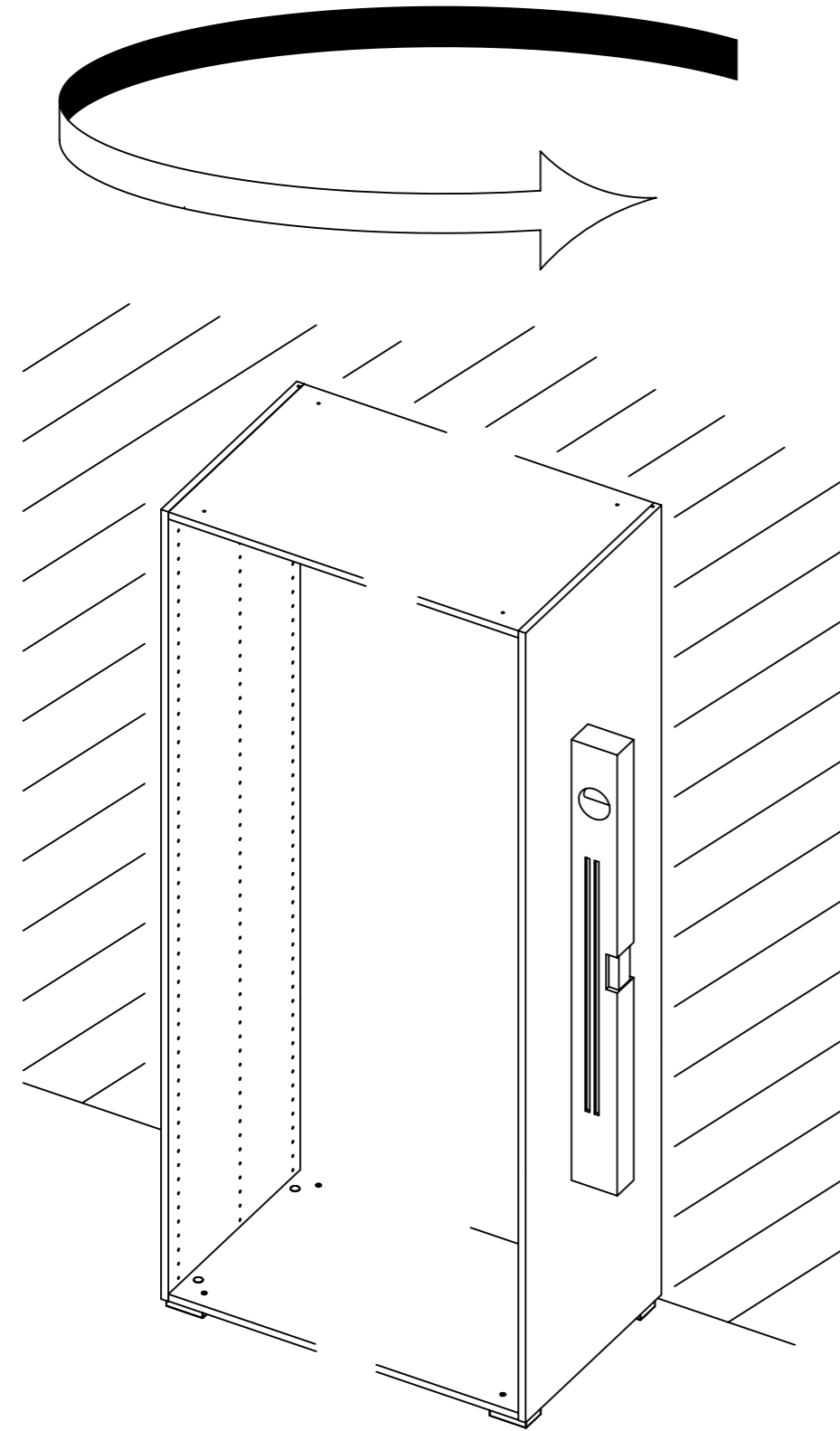
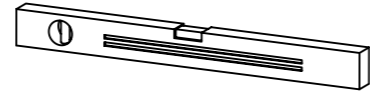
14

∅6mm



17.

15

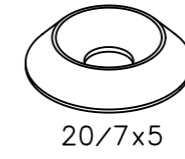


M2104

18.

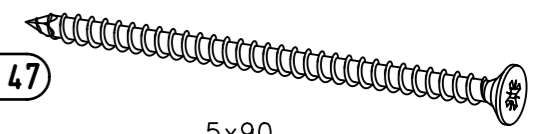
16

2x 1093

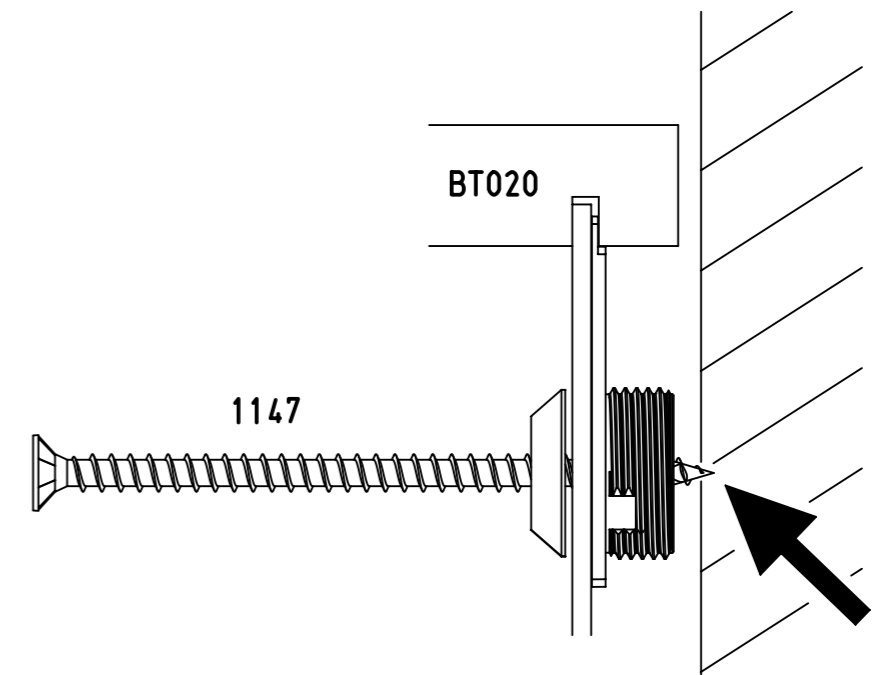
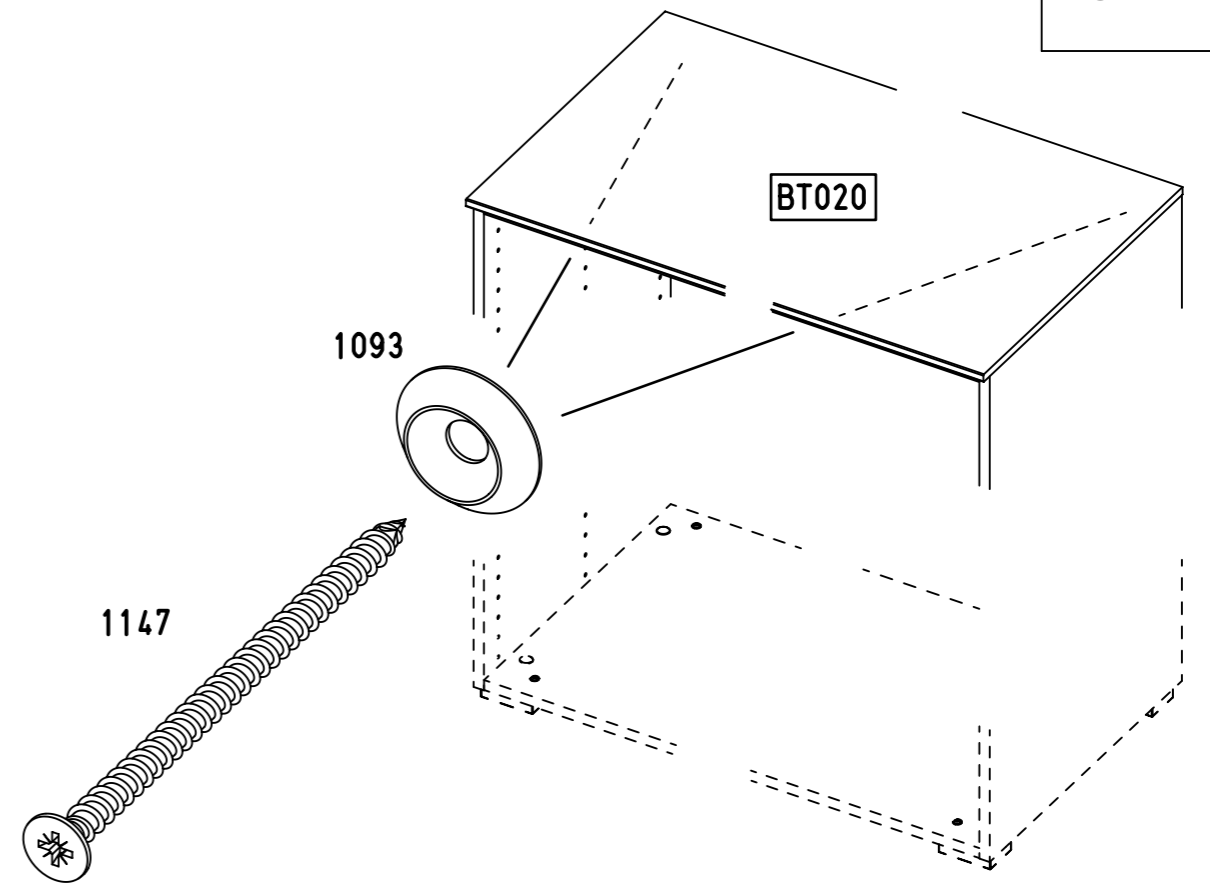
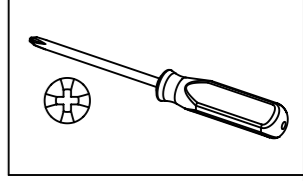


20/7x5

2x 1147



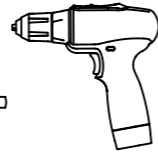
5x90



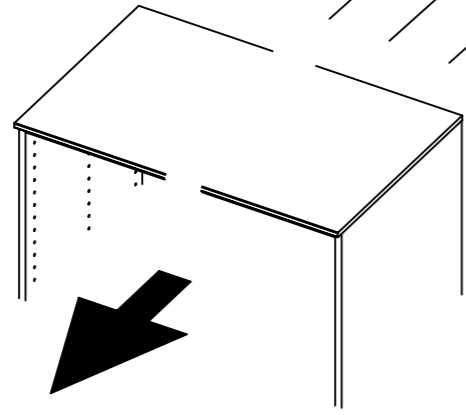
M2104

17

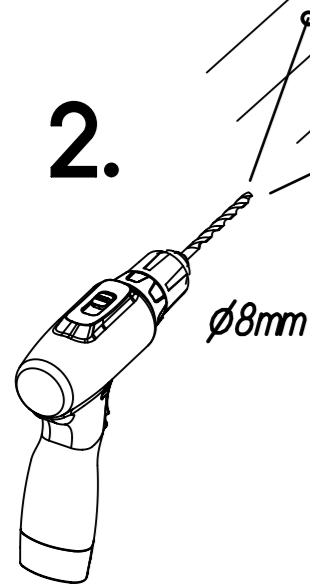
∅8mm



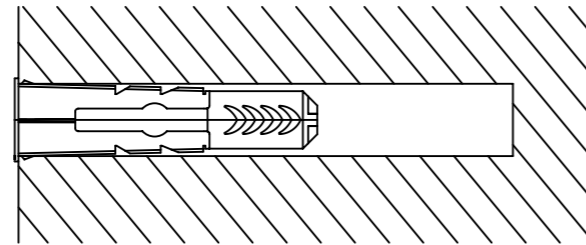
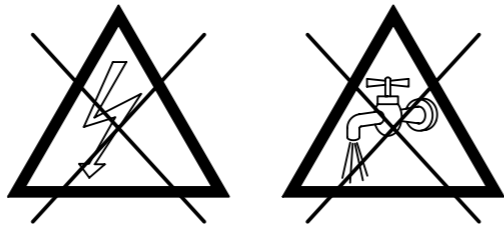
1.



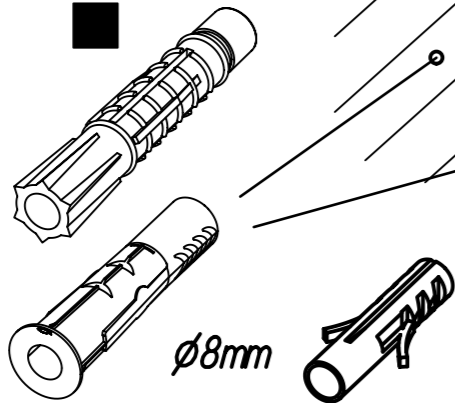
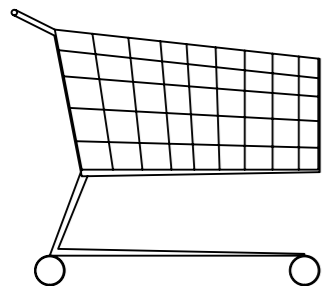
2.



∅8mm

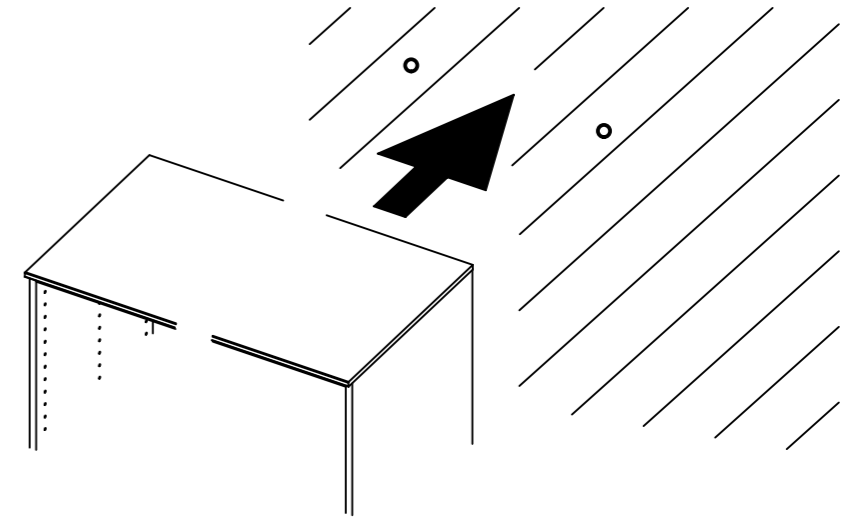
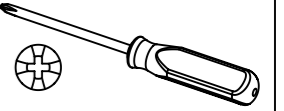
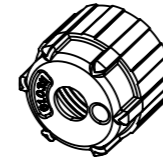


? 3.

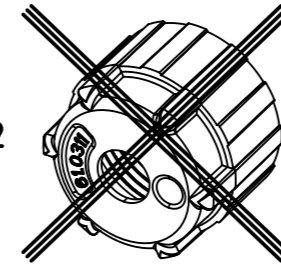


18

2x 1092

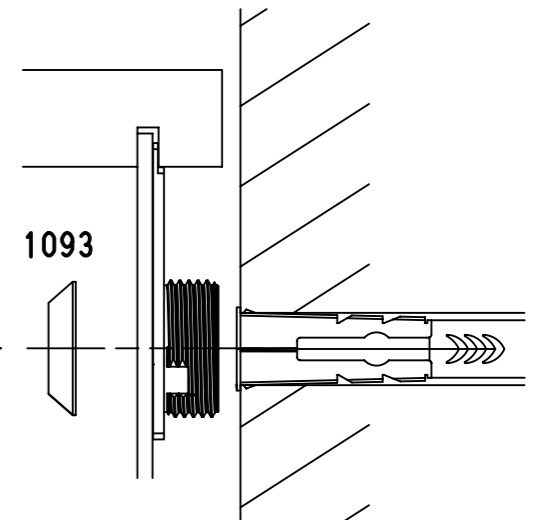
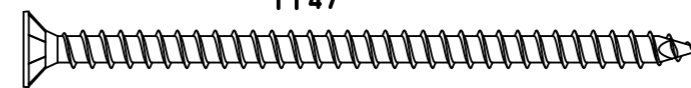


1092



1093

1147



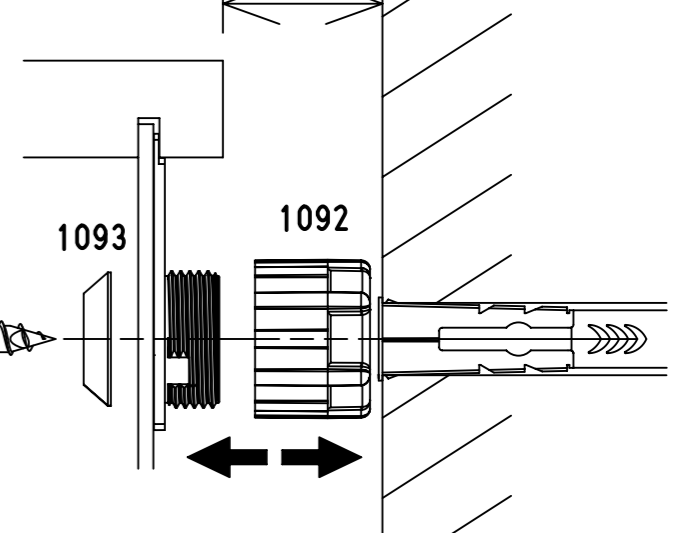
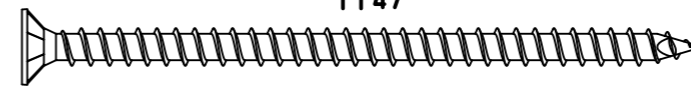
10-15mm



1093

1092

1147

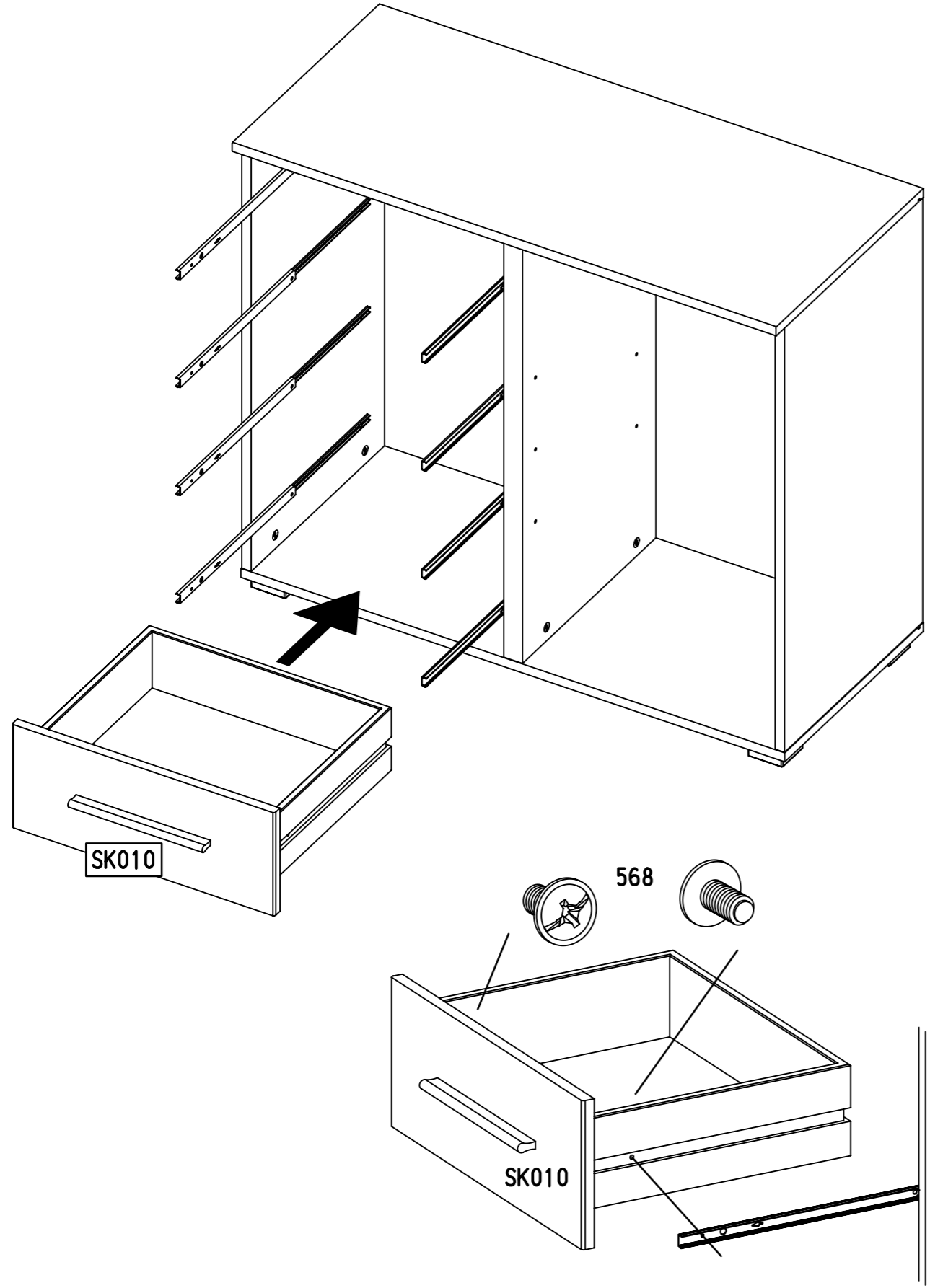
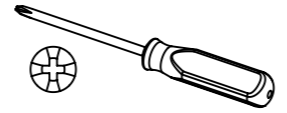


19

8x 568

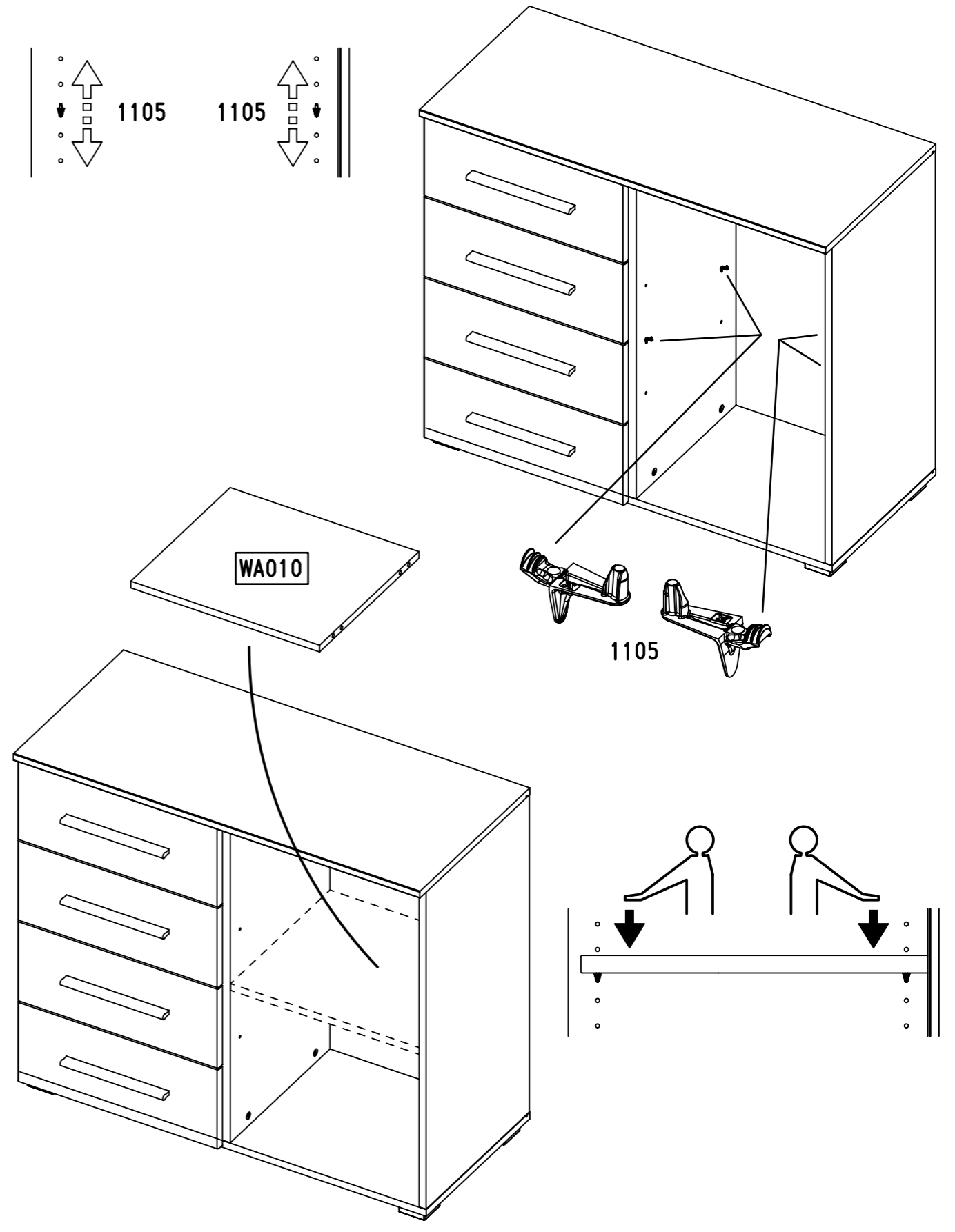
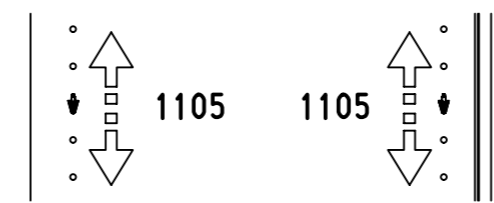
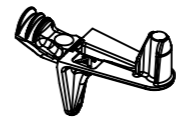


M4x9



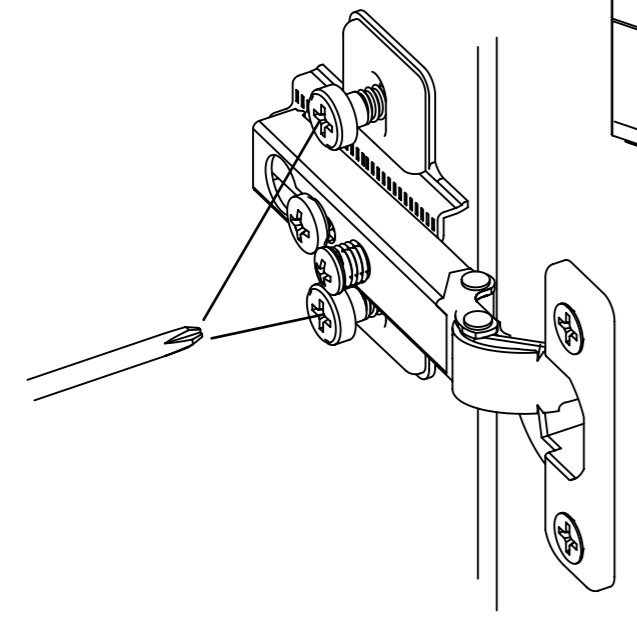
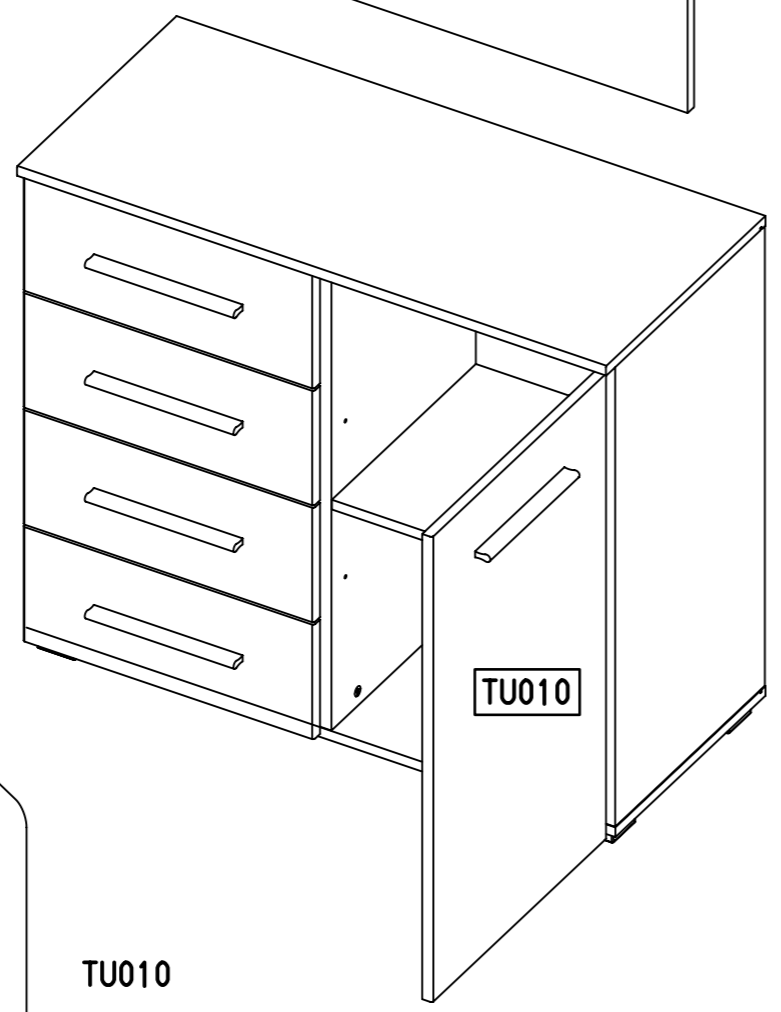
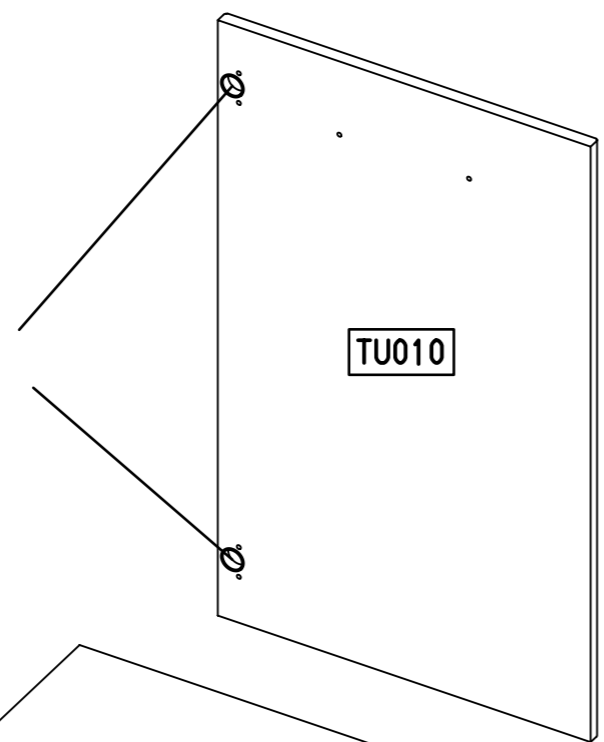
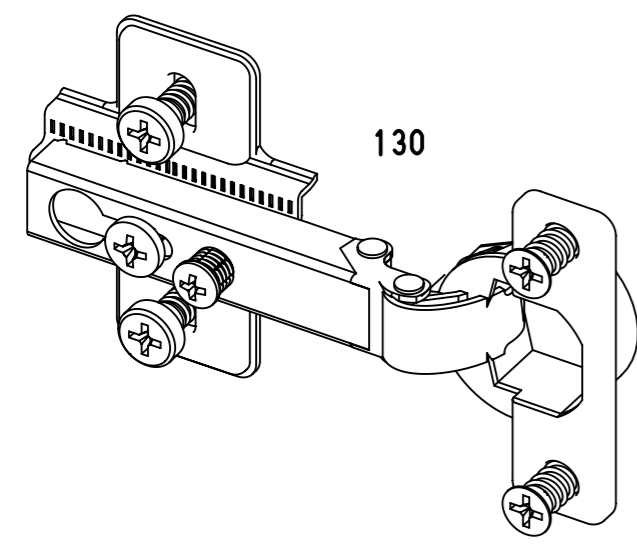
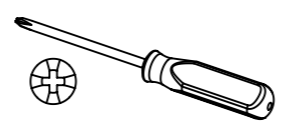
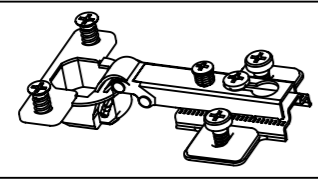
20

4x 1105



21

2x 130



TU010

22

