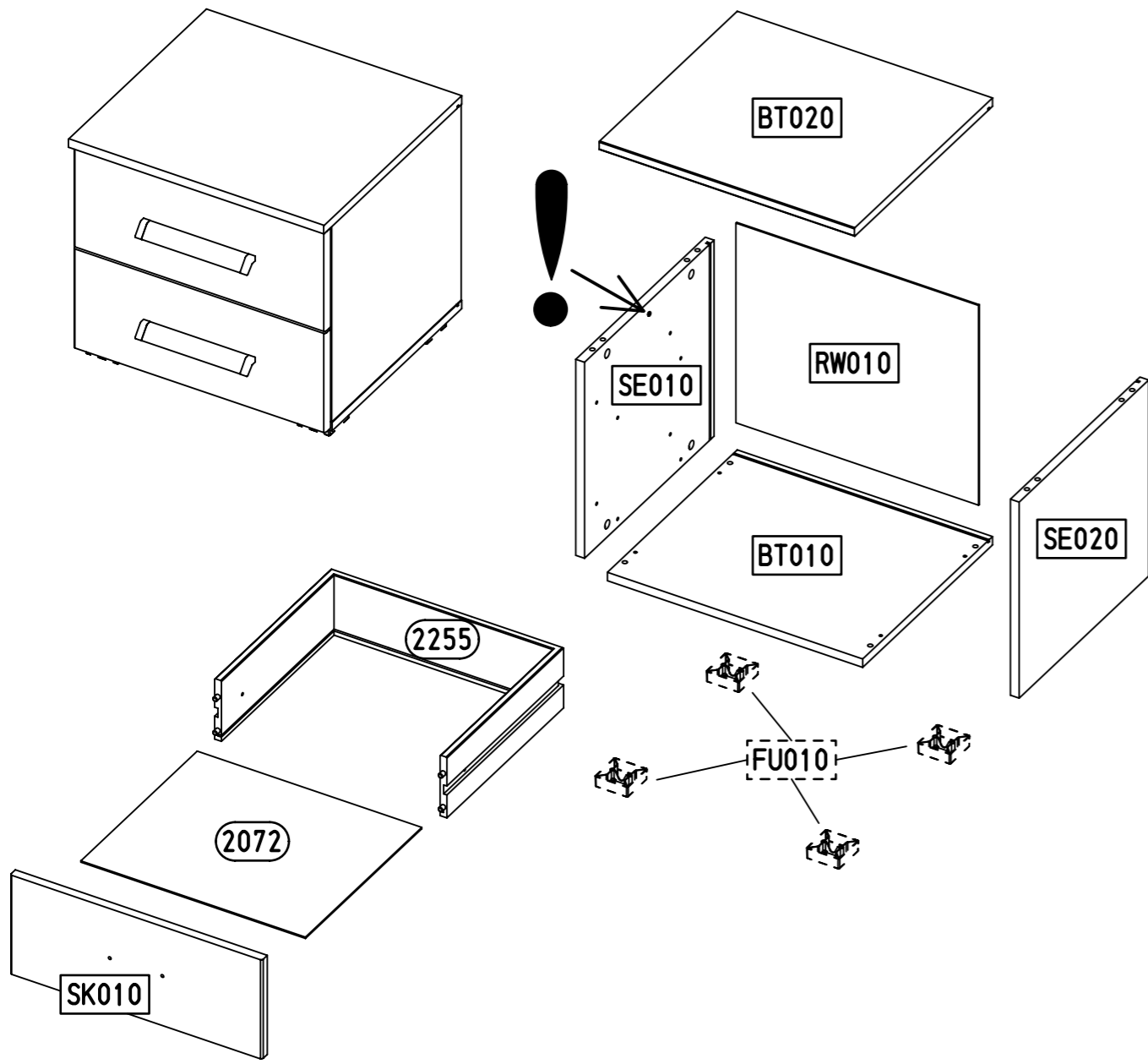
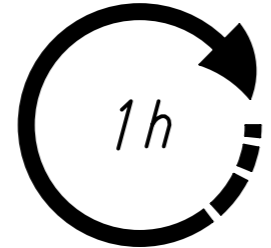
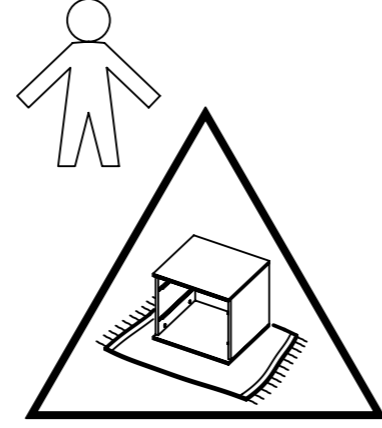
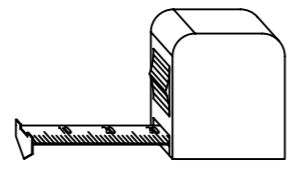
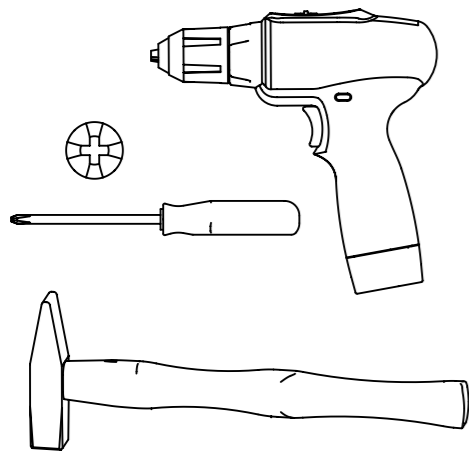


1.

M2100_03

rauch

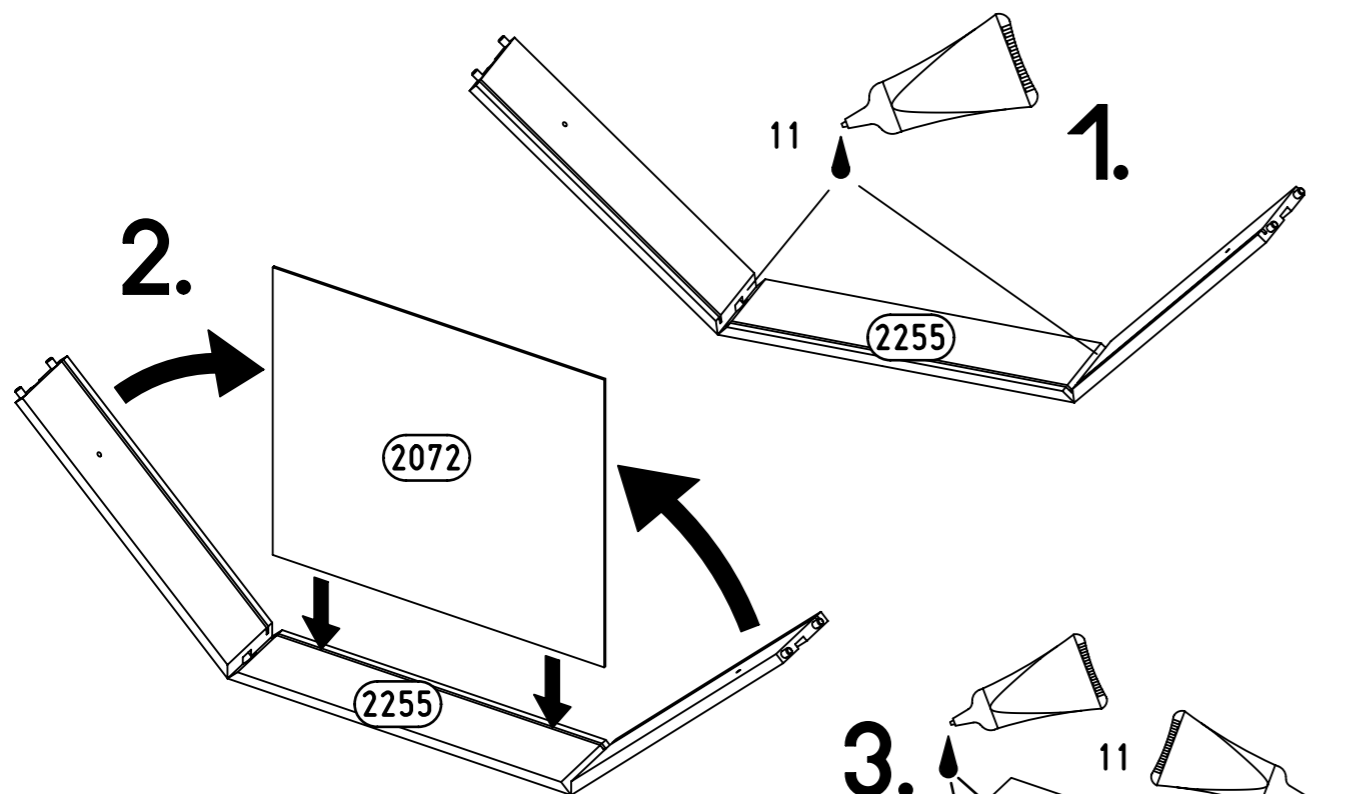
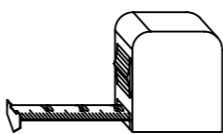
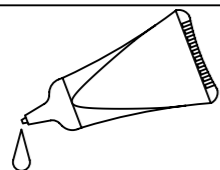


2.

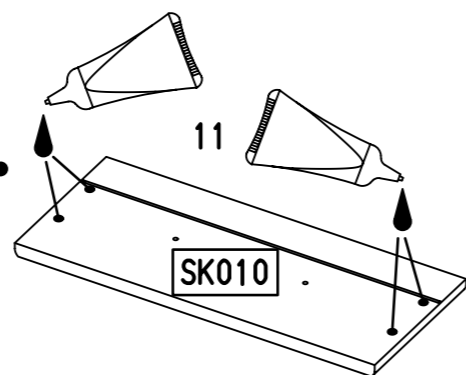
<p>11</p>	<p>8x (18)</p> <p>8x30</p>	<p>8x (183)</p> <p>23/10x7,5</p>	<p>8x (227)</p> <p>6x10,5</p>
<p>4x (251)</p> <p>328x17x9,5</p>		<p>8x (349)</p>	<p>4x (568)</p> <p>M4x9</p>
<p>4x (1000)</p>		<p>4x (1001)</p>	
<p>16x (1002)</p> <p>3,5x20</p>	<p>8x (1003)</p> <p>6x12</p>	<p>2x (1090)</p>	

1

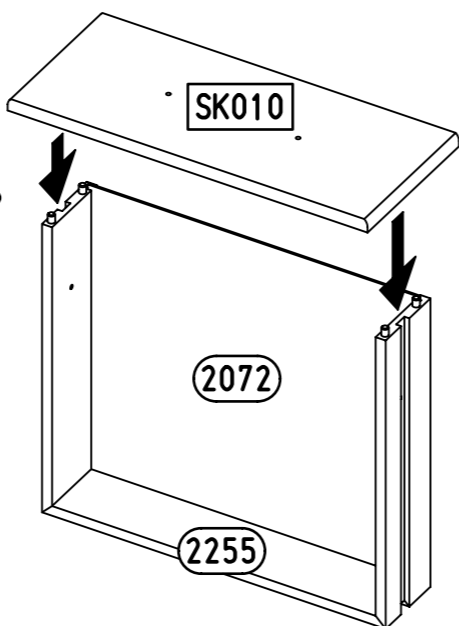
11



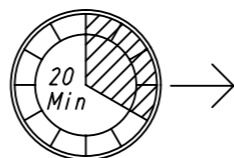
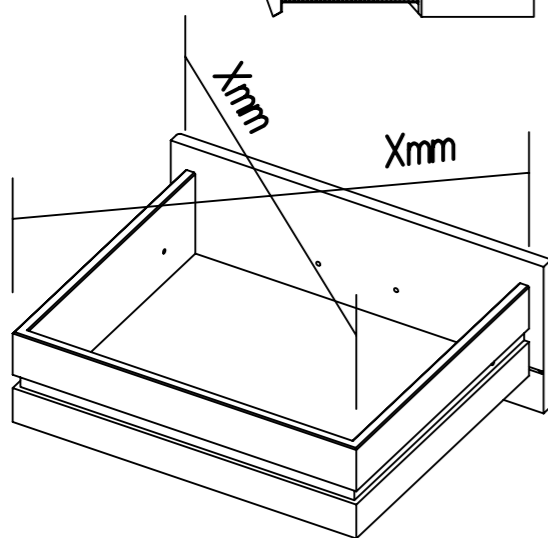
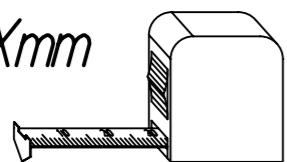
3.



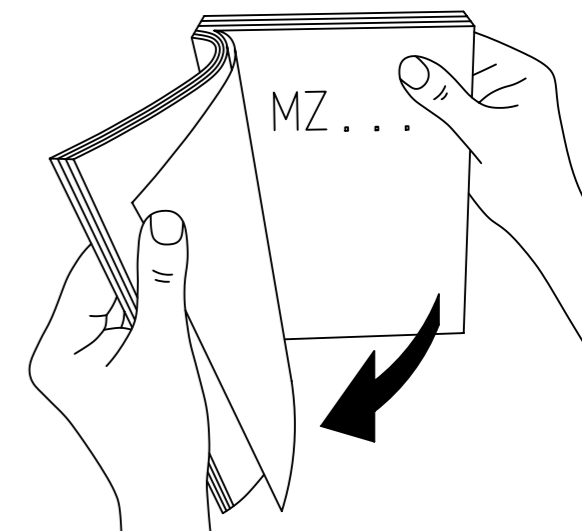
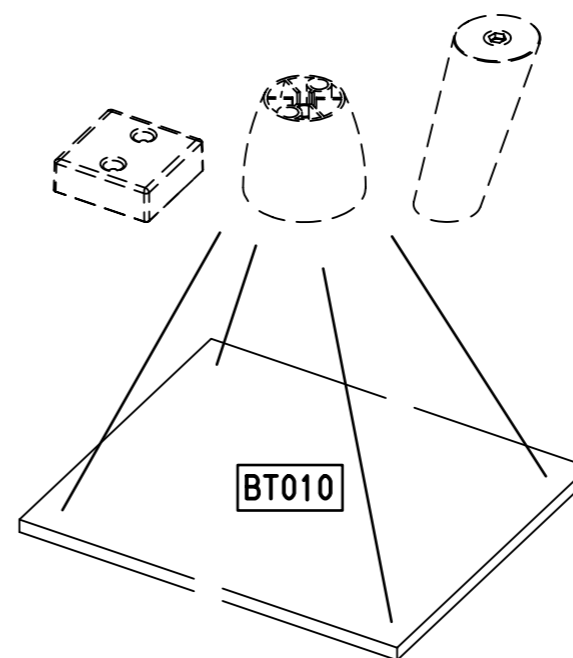
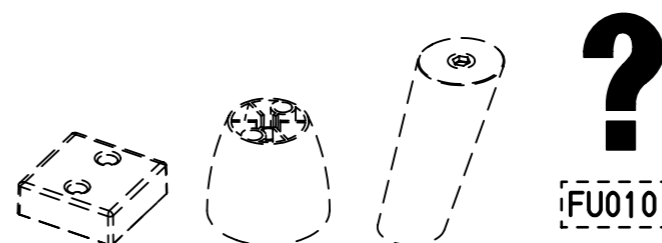
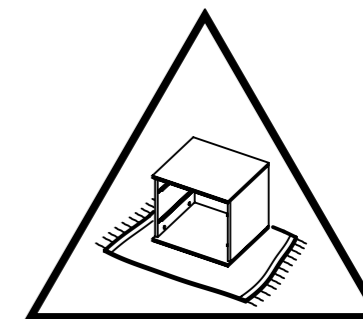
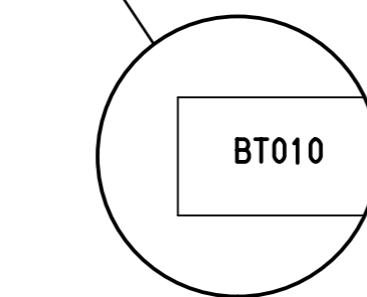
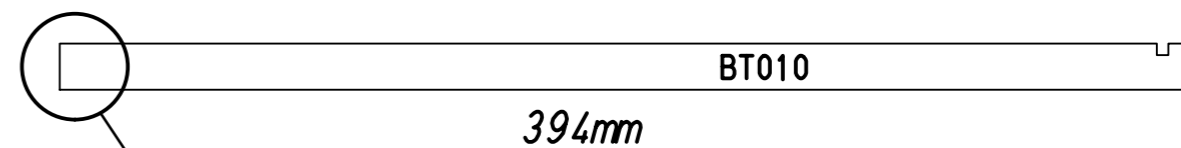
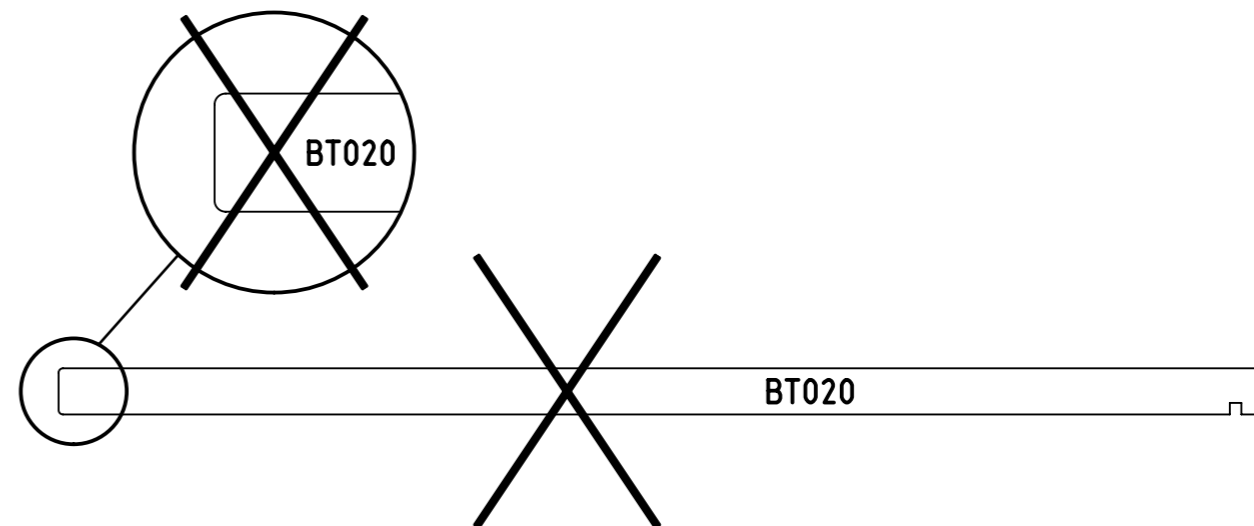
4.



Xmm = Xmm



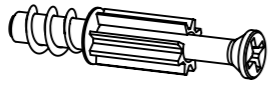
2



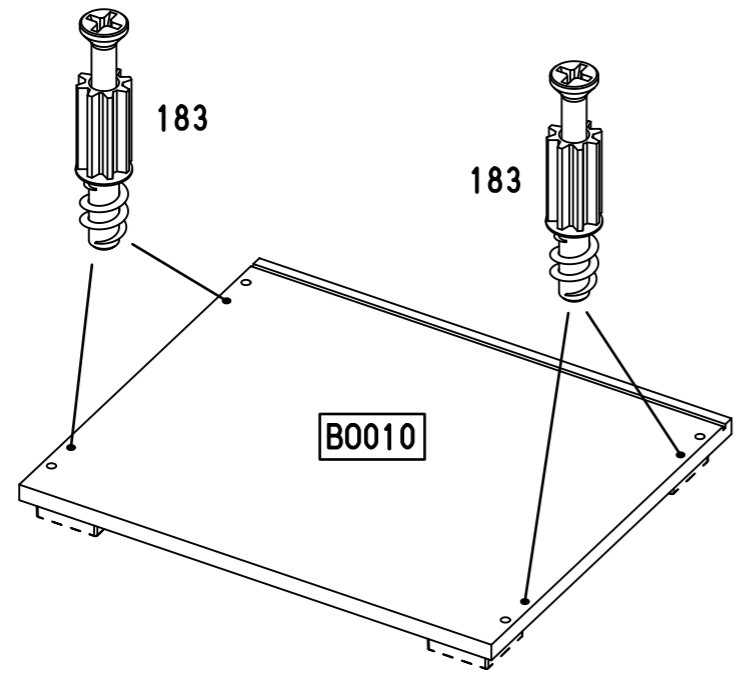
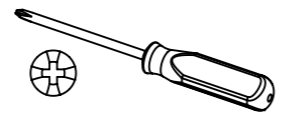
3

4x

183



23/10x7,5/6,5

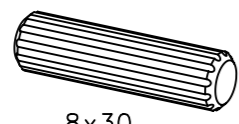


B0010

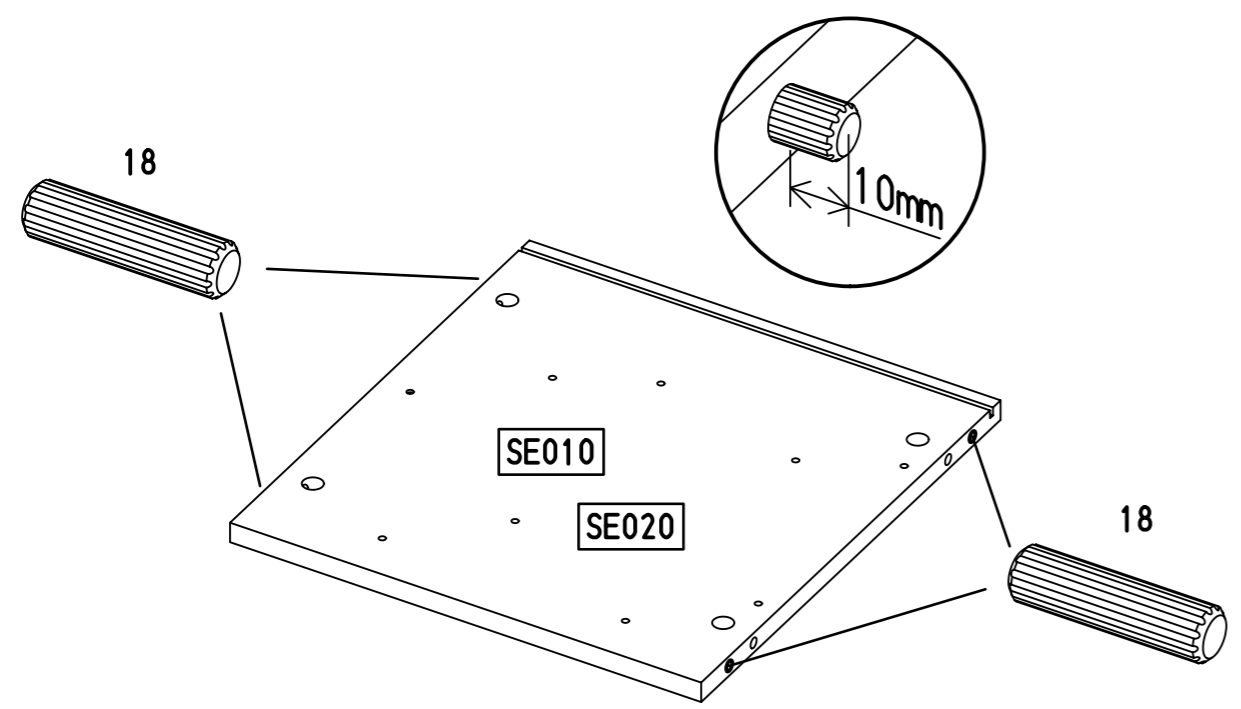
4

8x

18



8x30



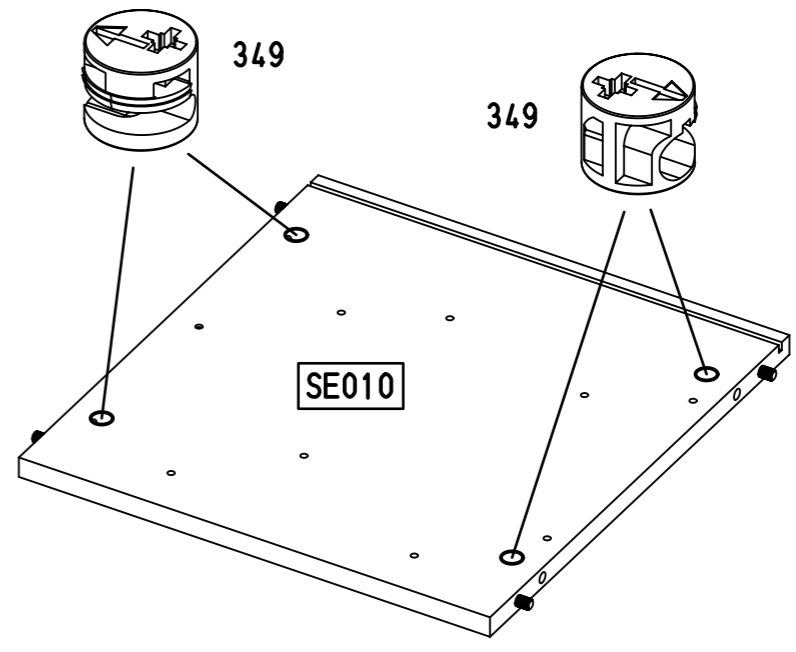
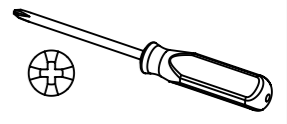
SE010

SE020

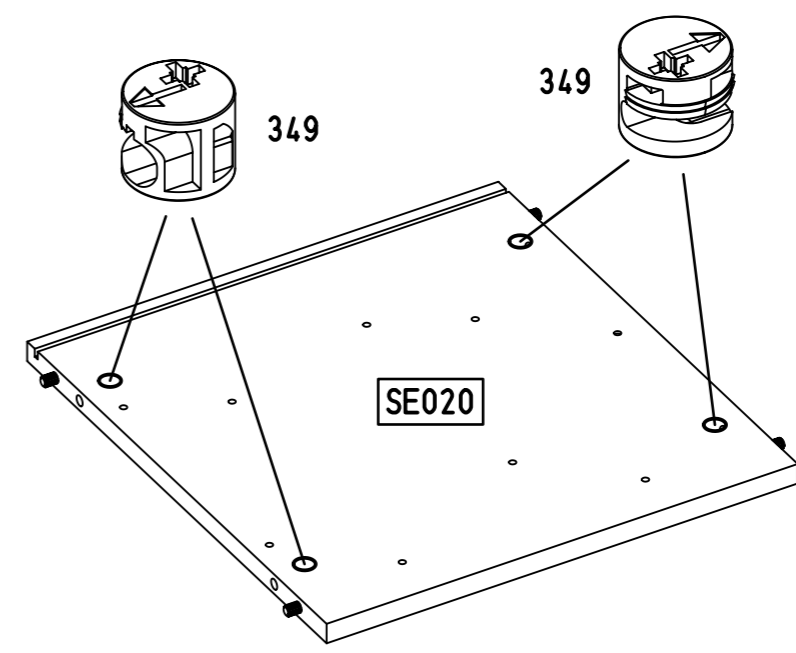
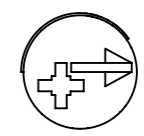
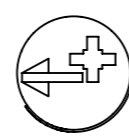
5

8x

349



SE010



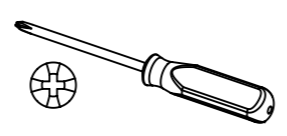
SE020

7.

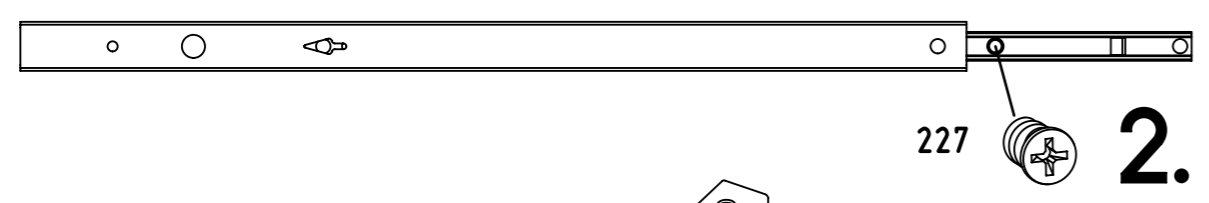
6

2x (251)
328x17x9,5

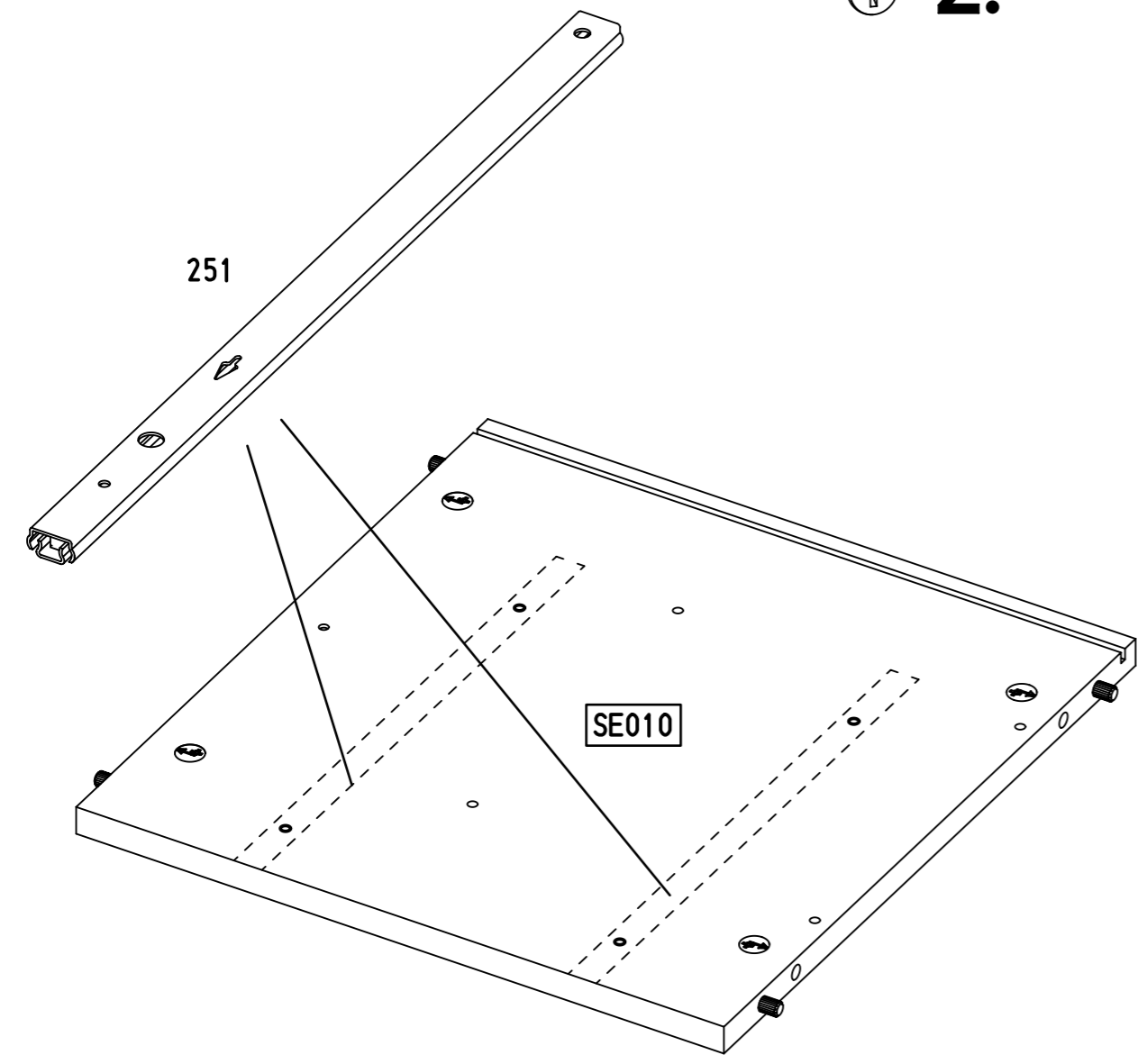
4x (227)
6x10,5



1. 227



2. 227



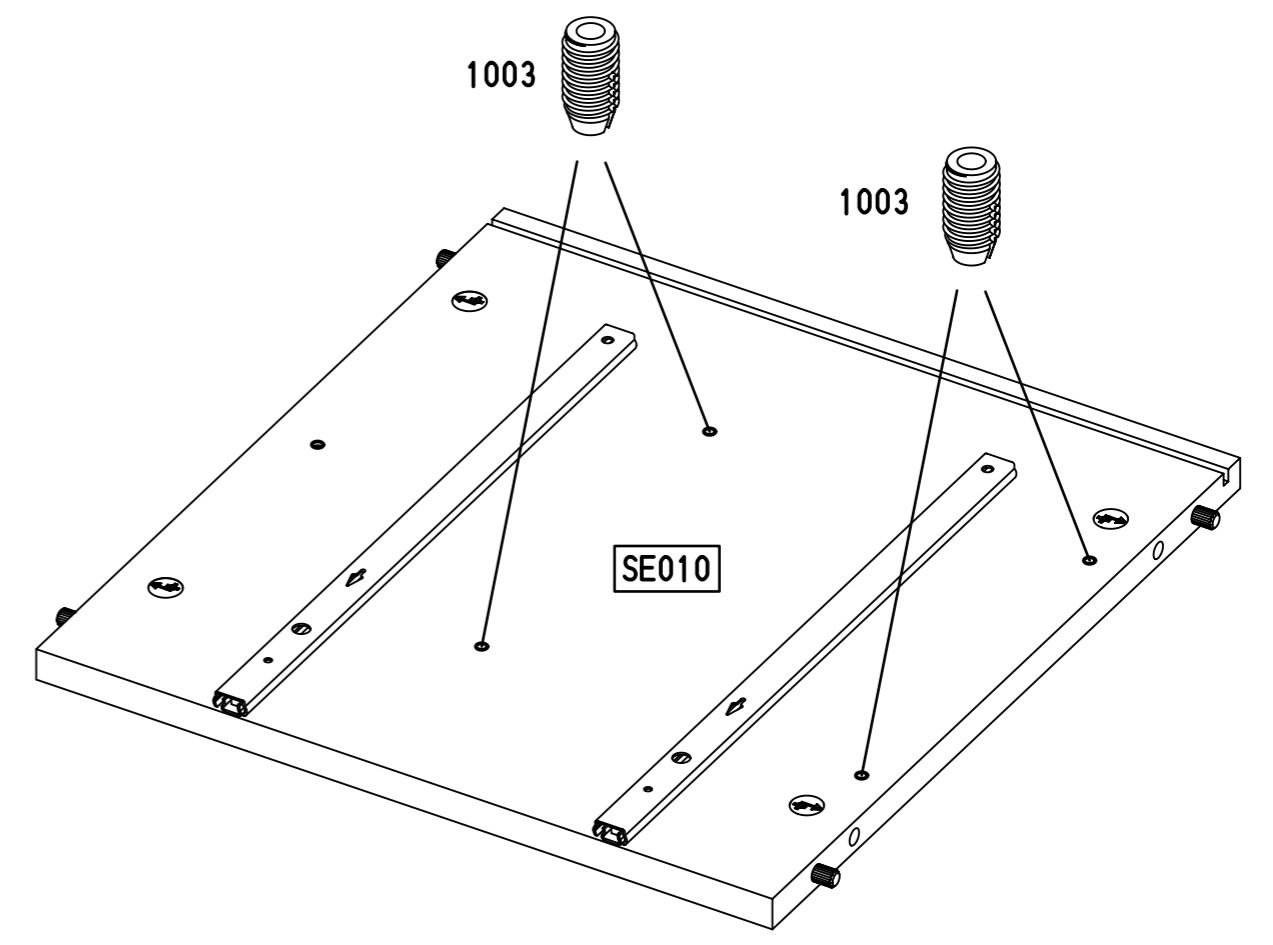
251

SE010

8.

7

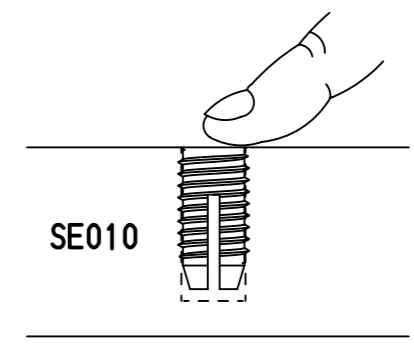
4x (1003)
6x12



1003

1003

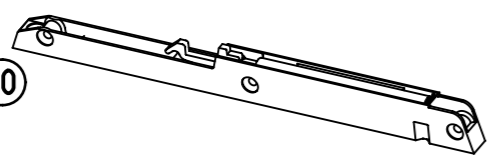
SE010



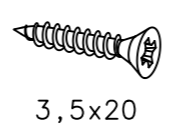
SE010

8

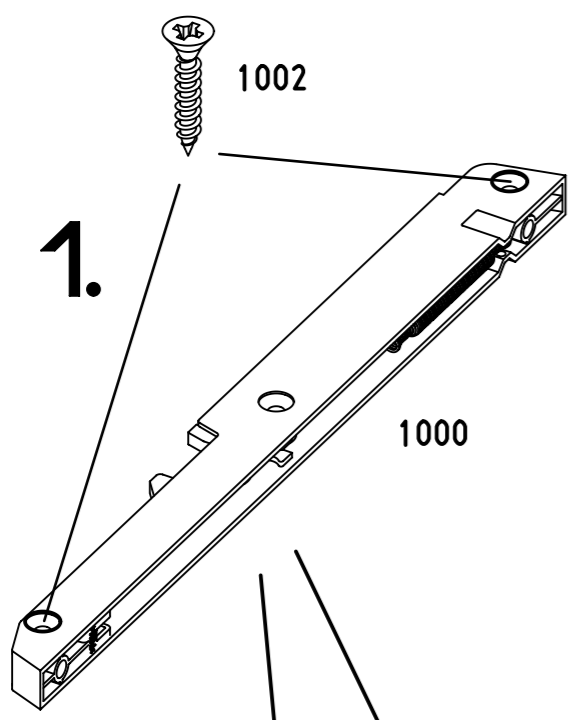
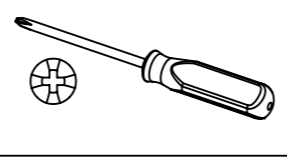
2x 1000



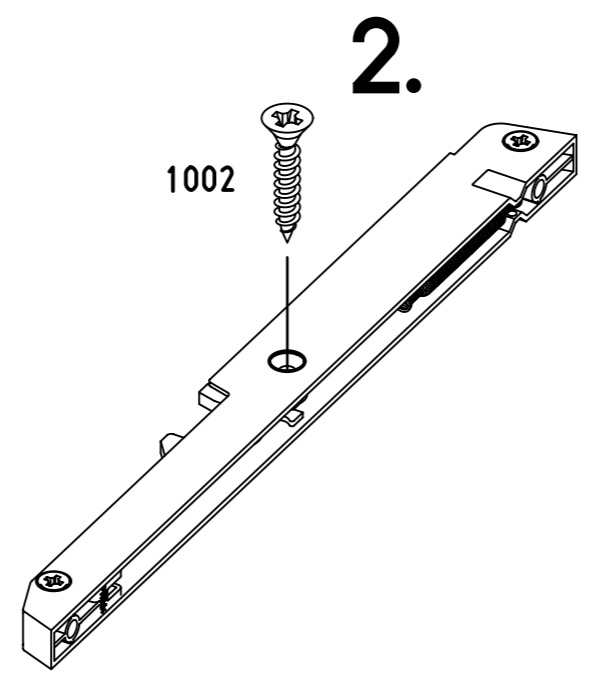
6x 1002



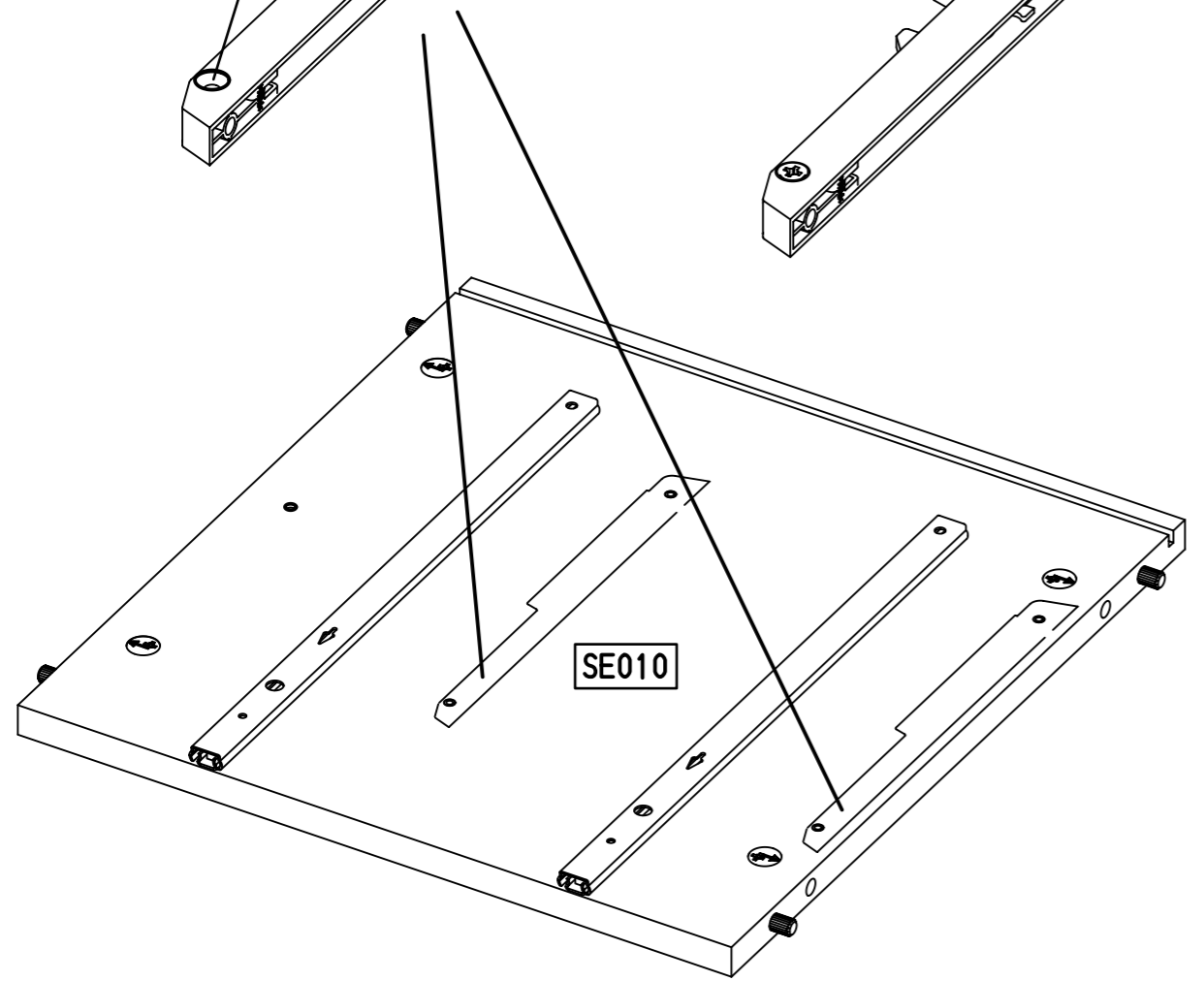
3,5x20



1.



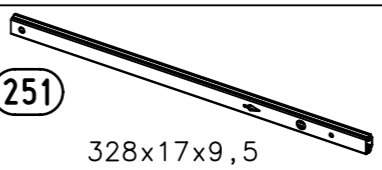
2.



SE010

9

2x 251

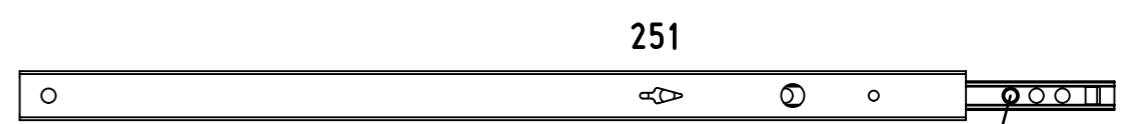
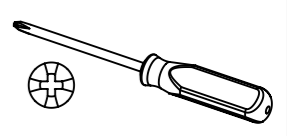


328x17x9,5

4x 227



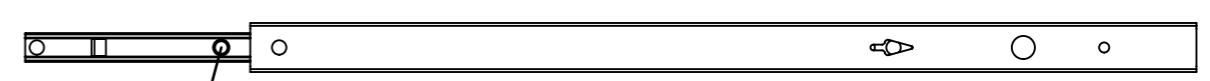
6x10,5



251

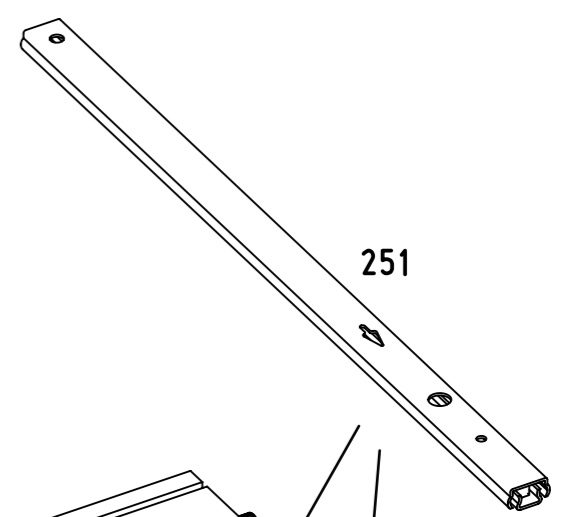
227

1.

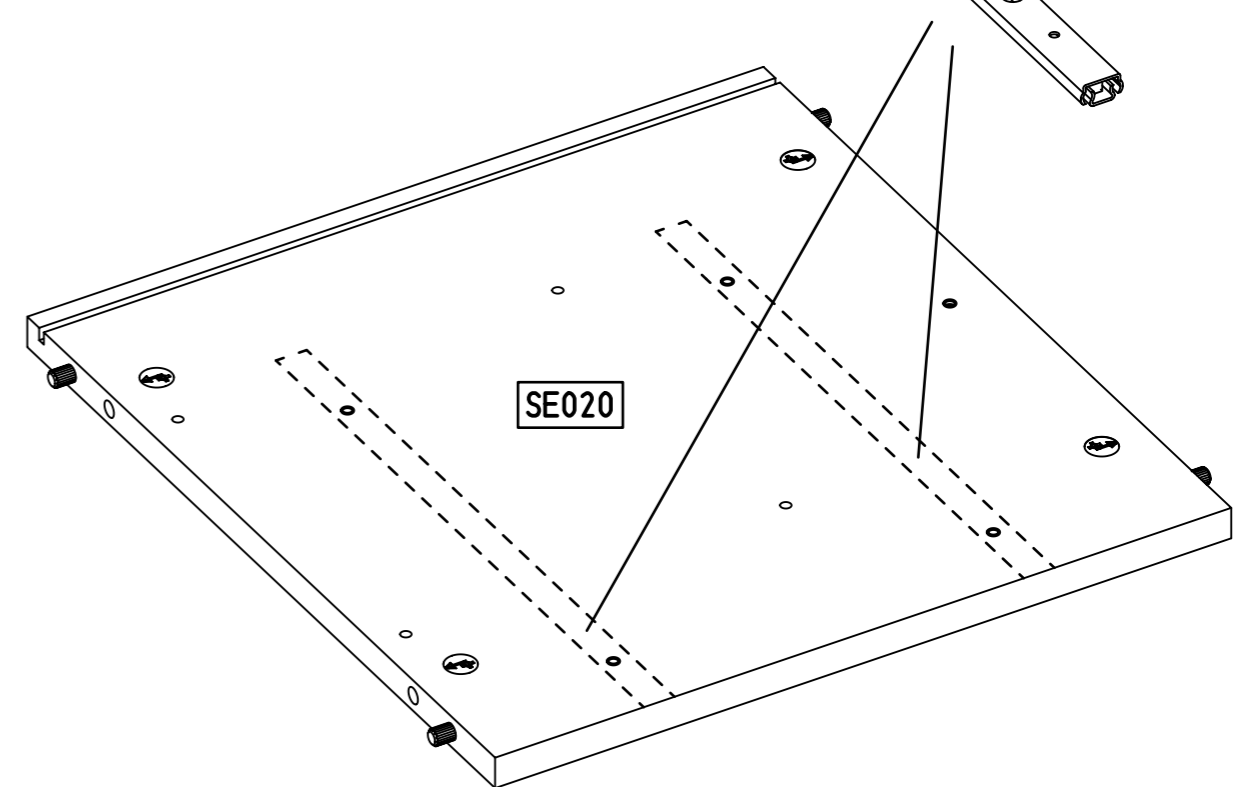


227

2.



251



SE020

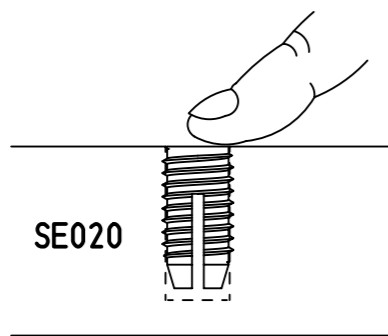
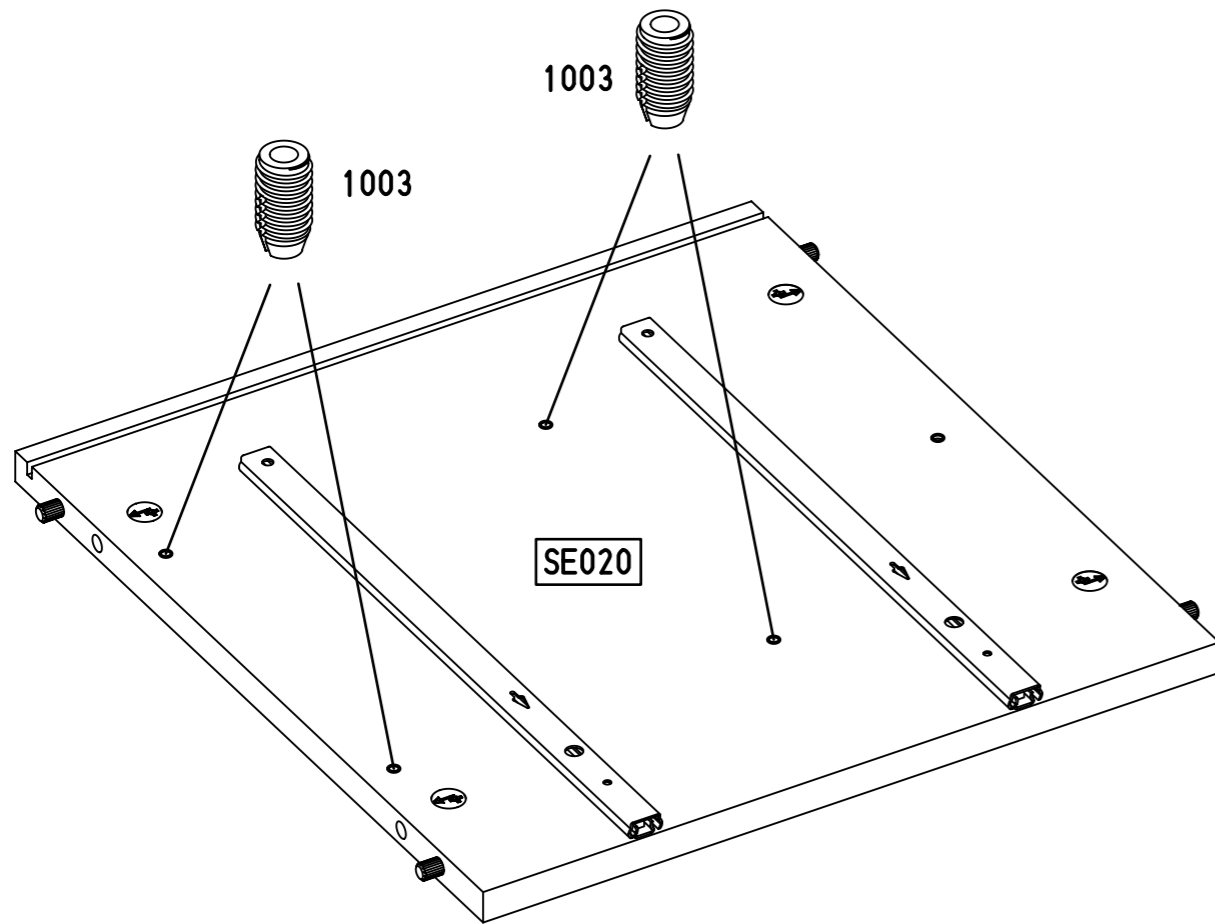
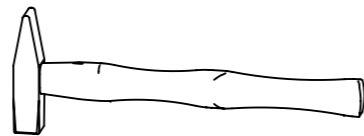
11.

10

4x 1003



6x12

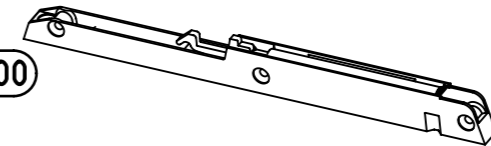


M2100

12.

11

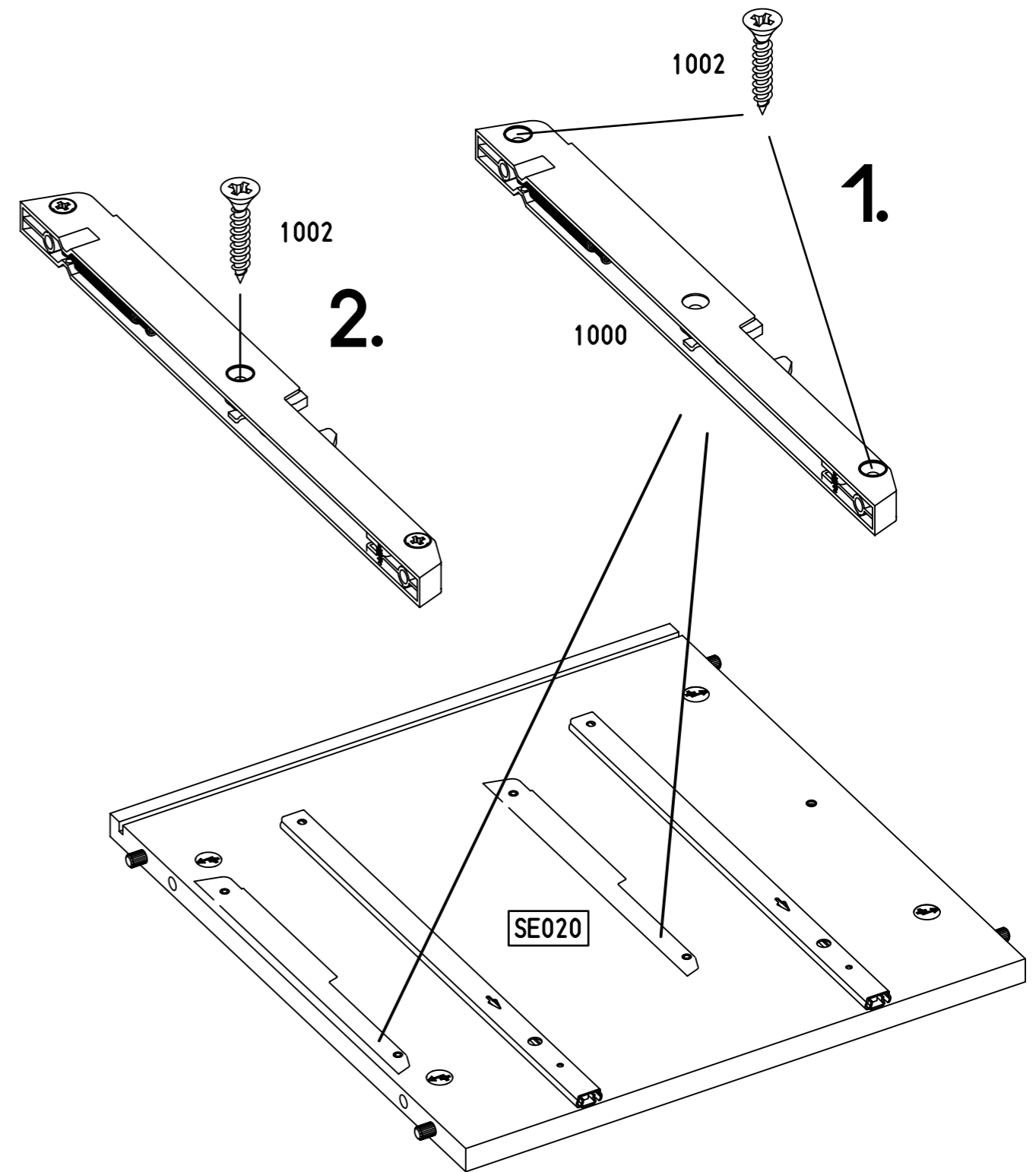
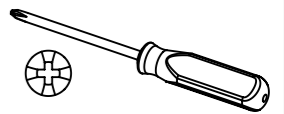
2x 1000



6x 1002

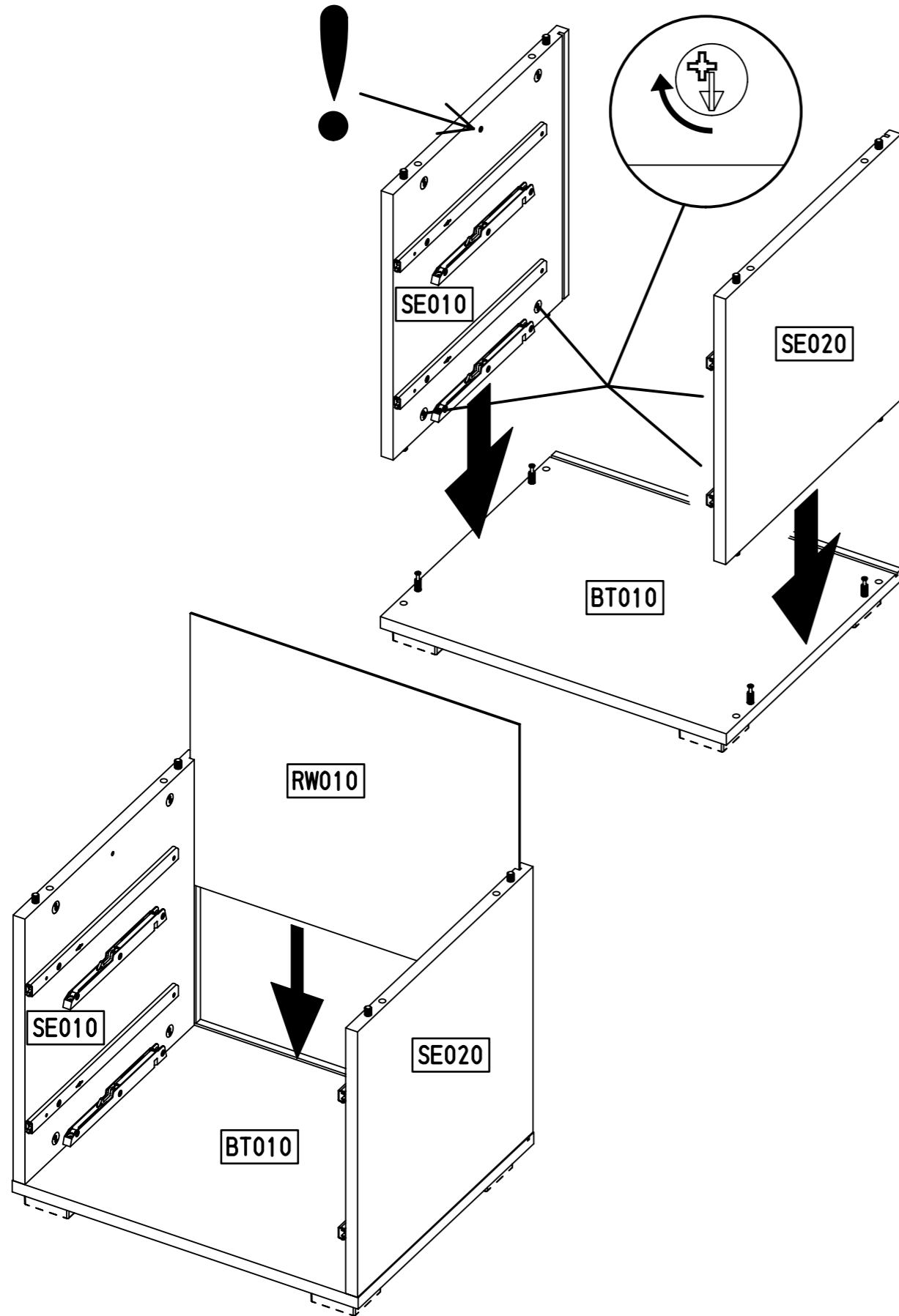
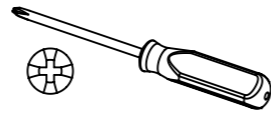


3,5x20



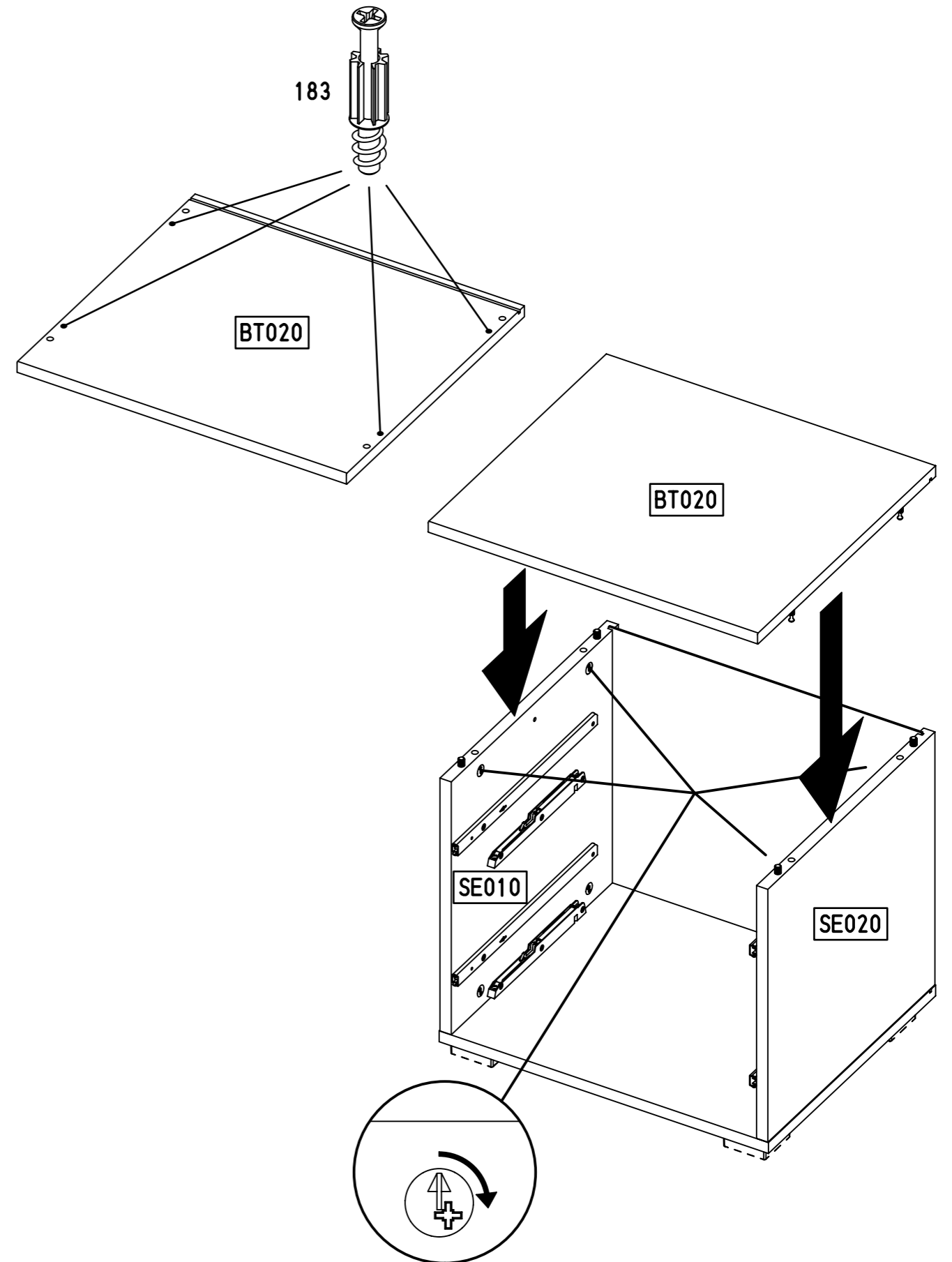
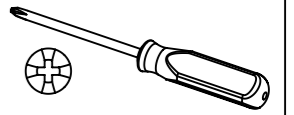
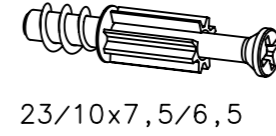
M2100

12



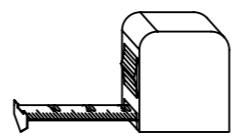
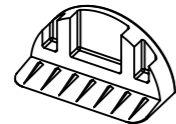
13

4x 183

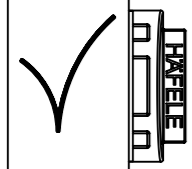
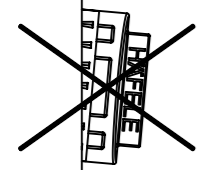
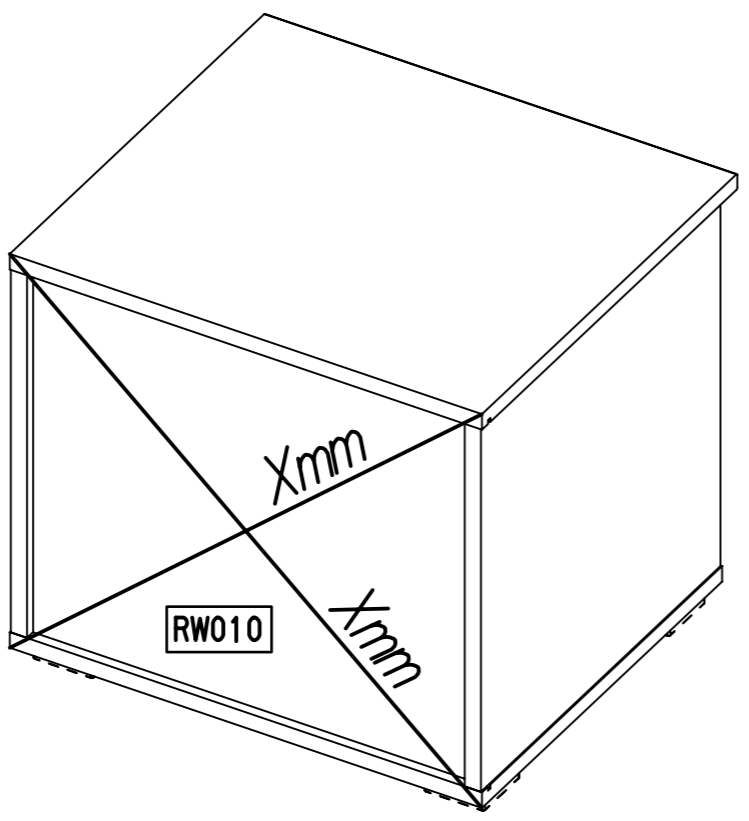
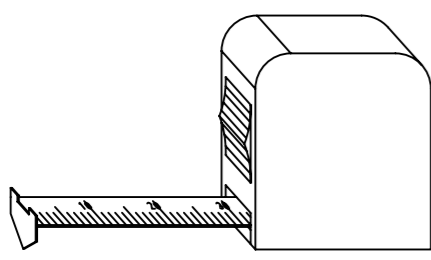


14

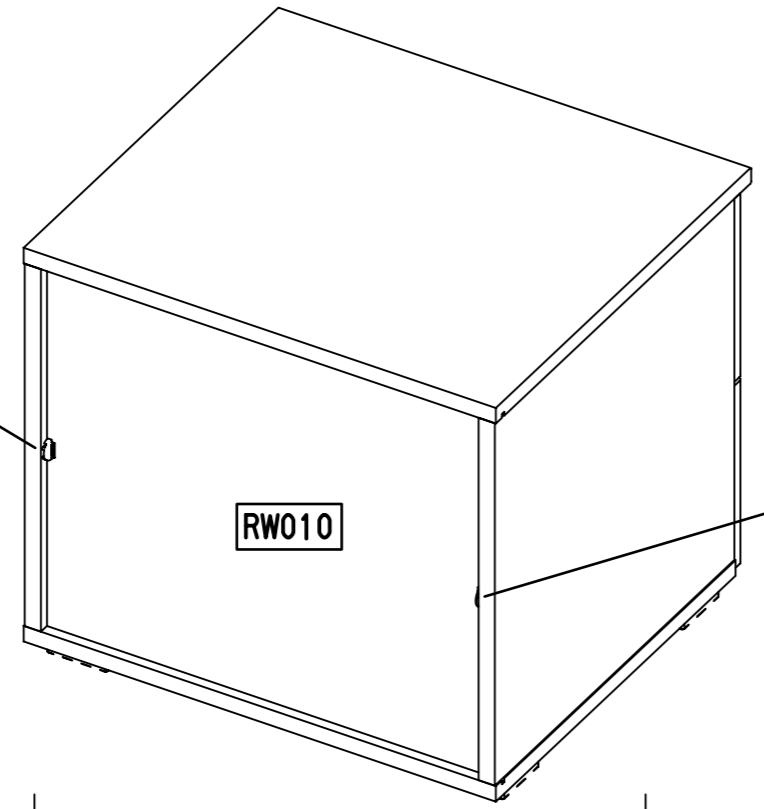
2x 1090



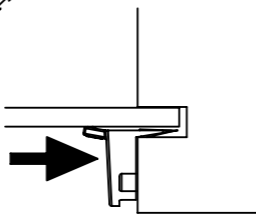
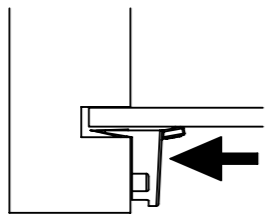
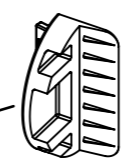
Xmm = Xmm



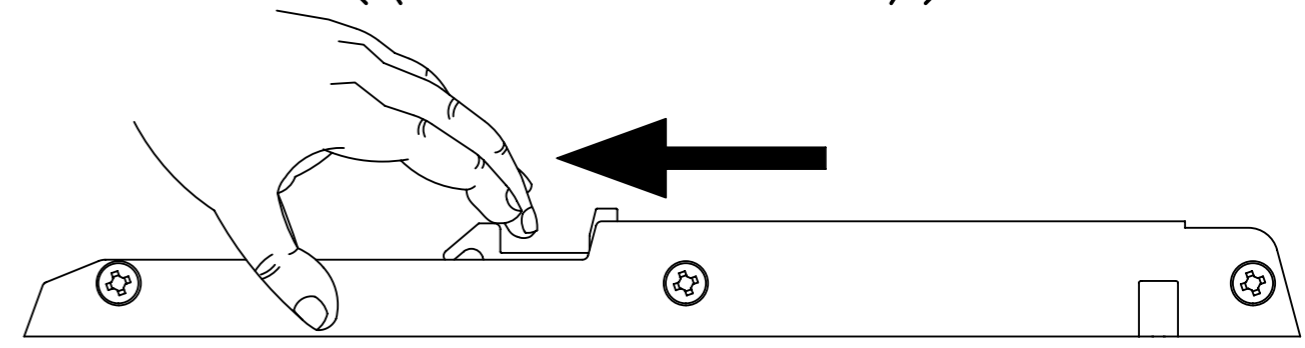
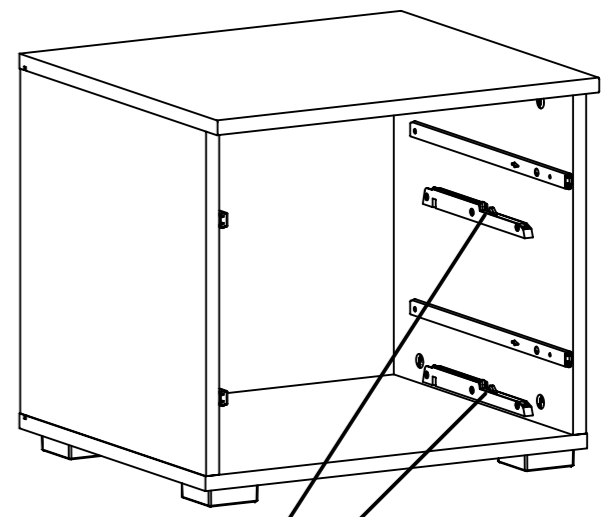
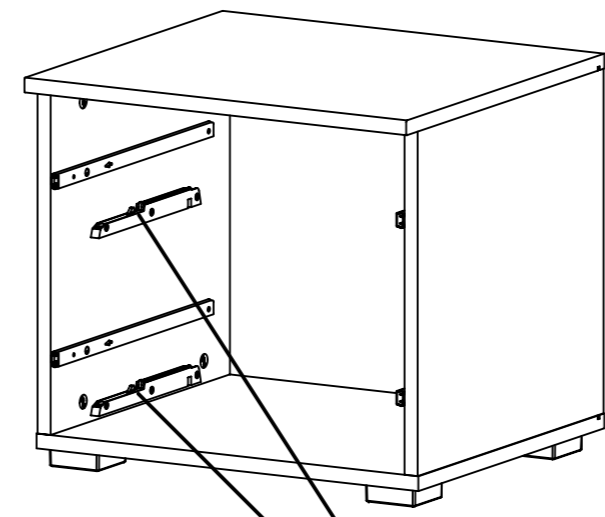
1090



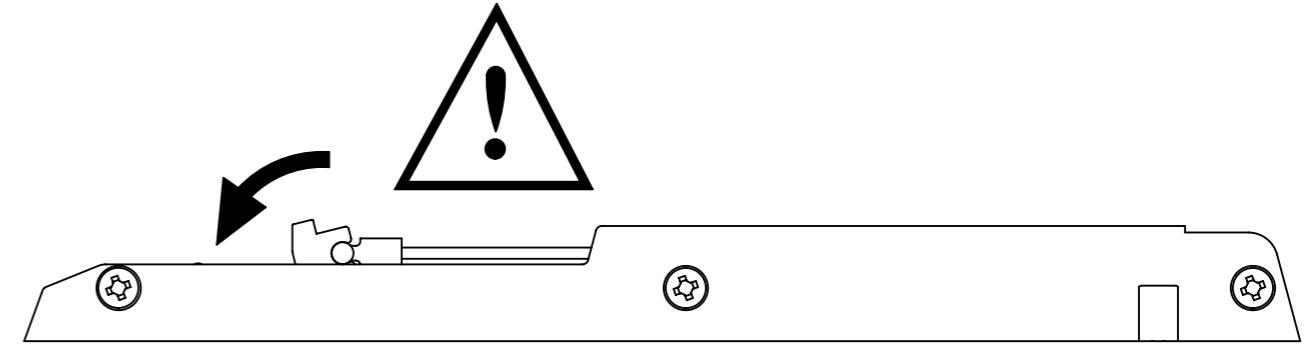
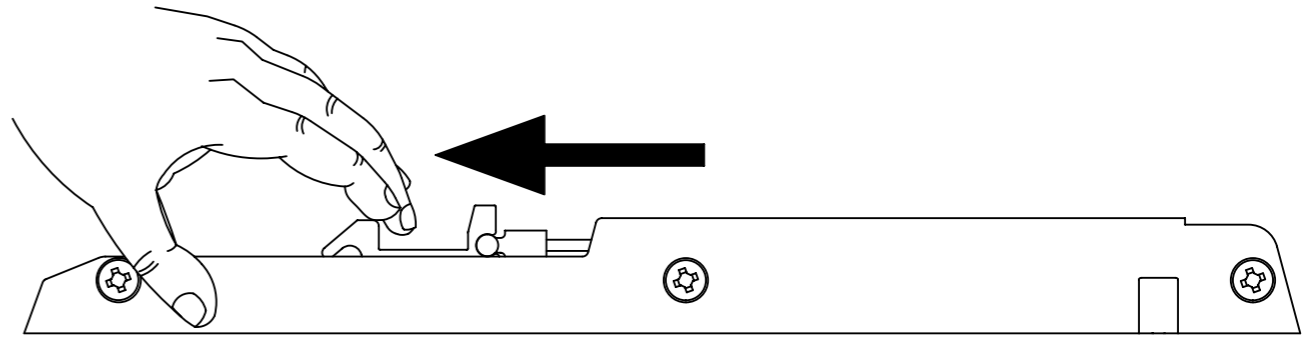
1090



15



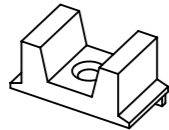
1000



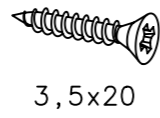
17.

16

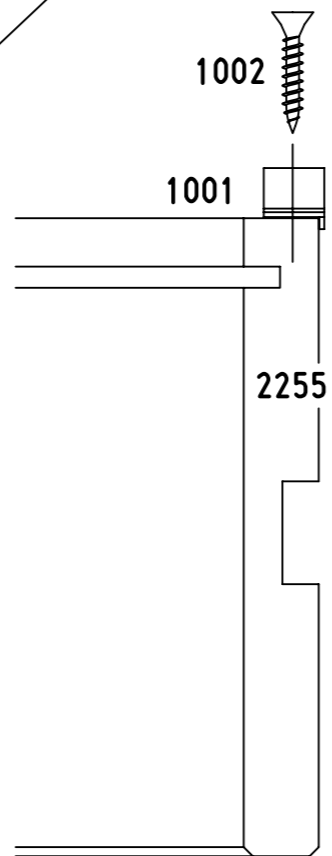
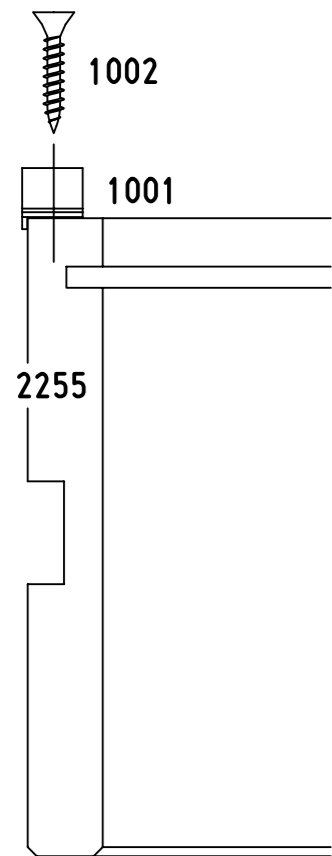
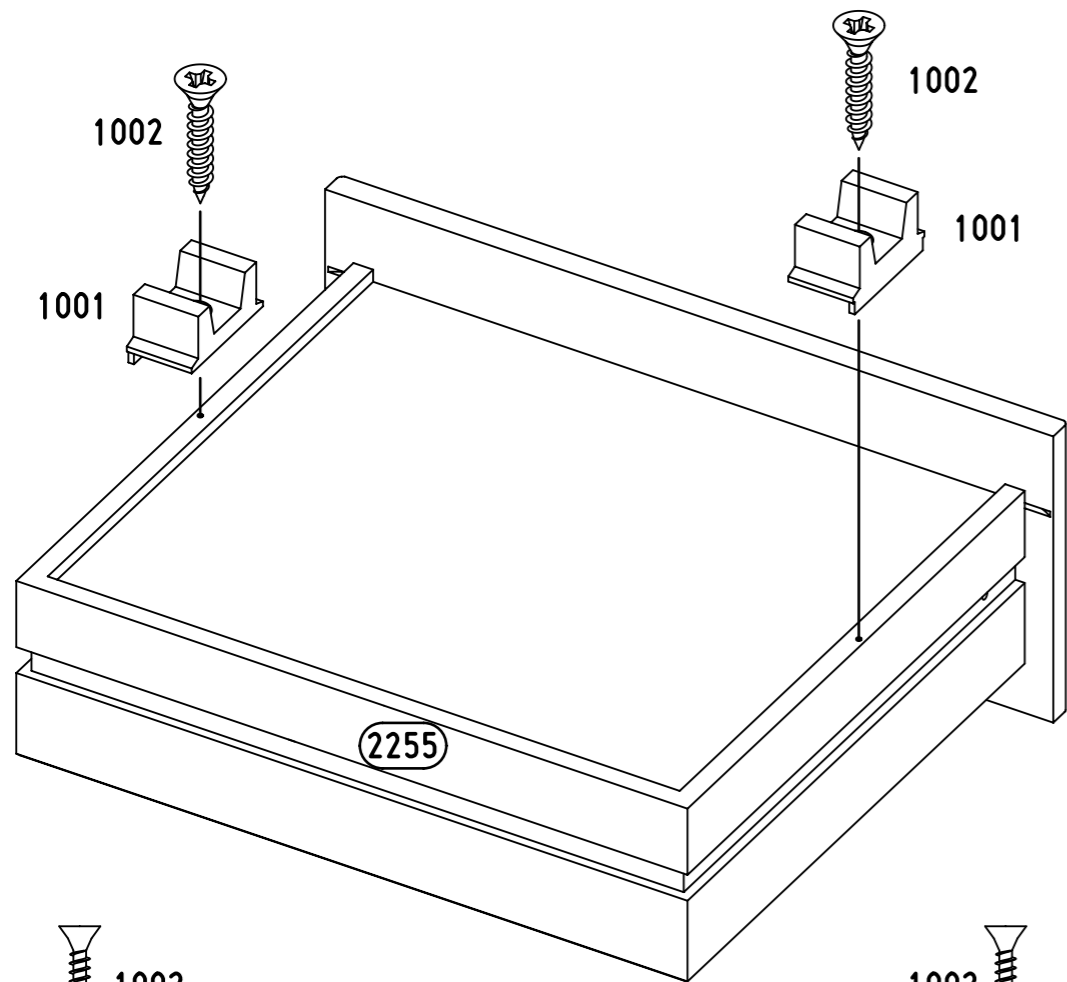
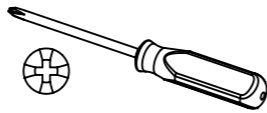
4x 1001



4x 1002



3,5x20



M2100

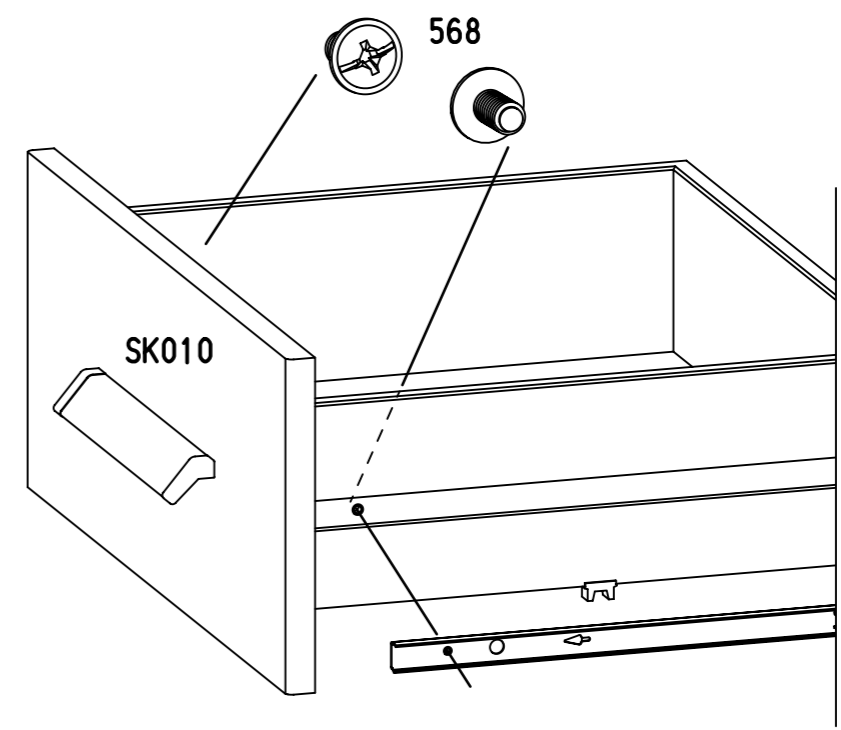
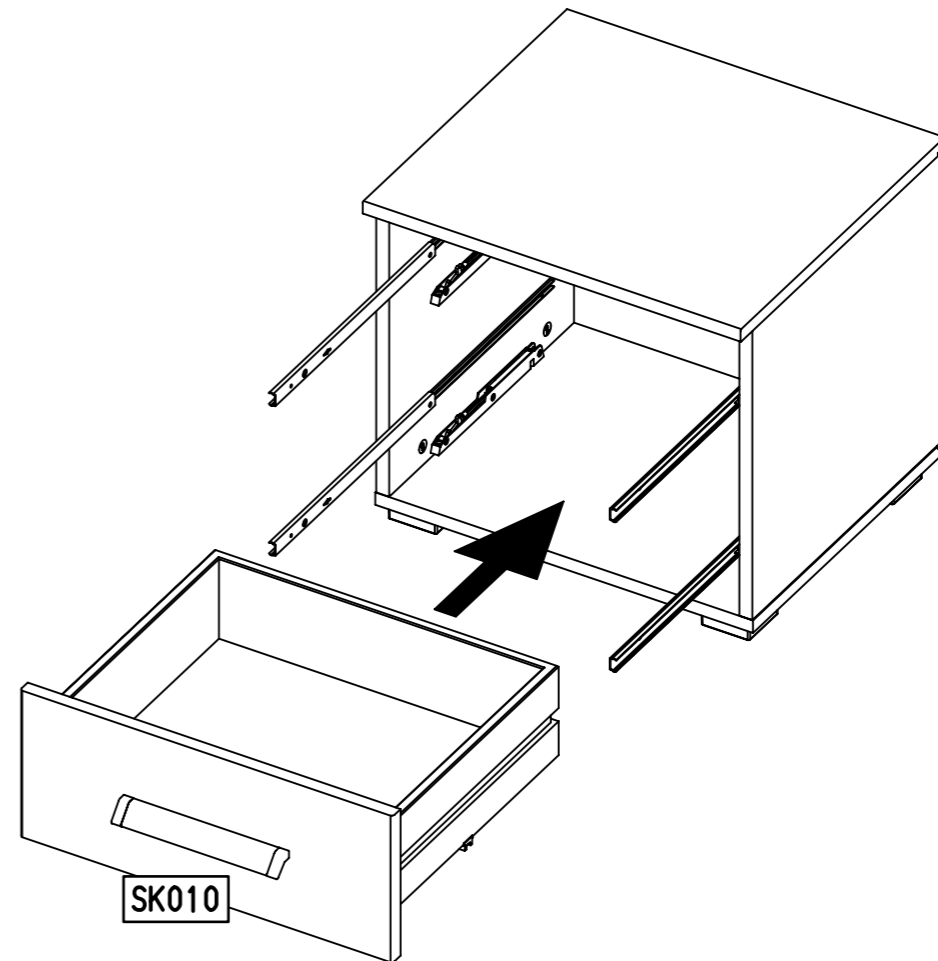
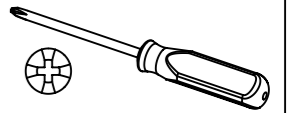
18.

17

4x 568



M4x9



M2100