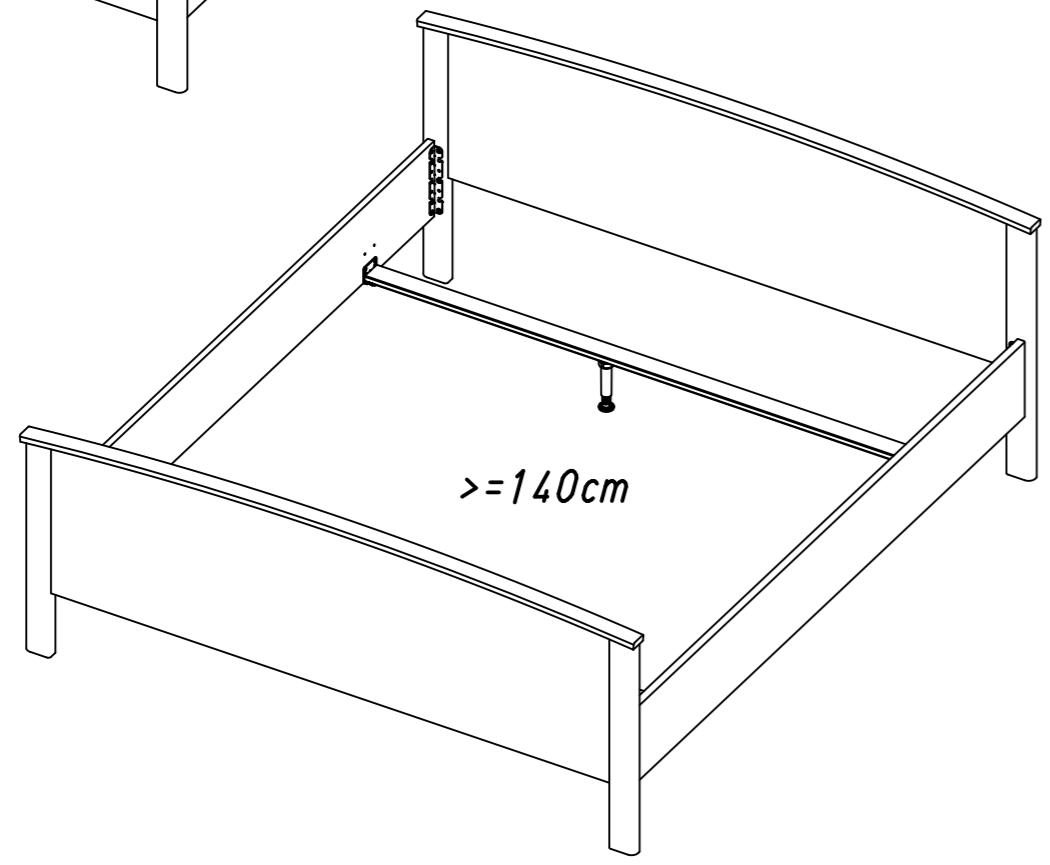
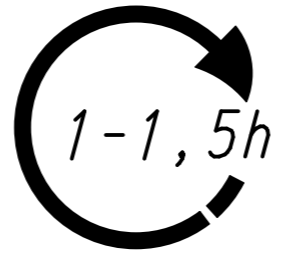
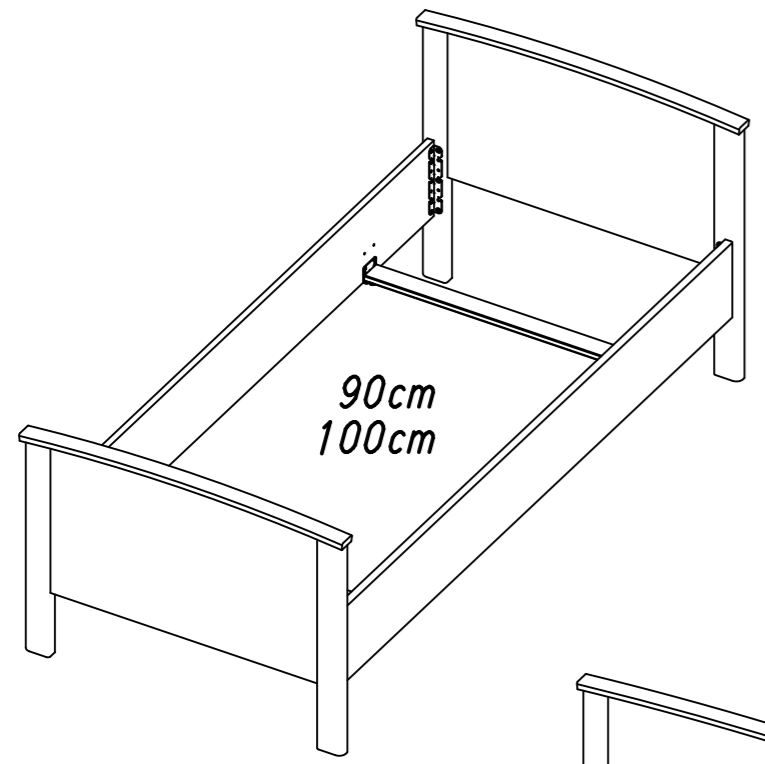
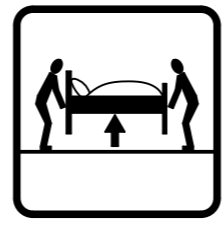
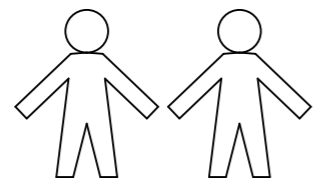
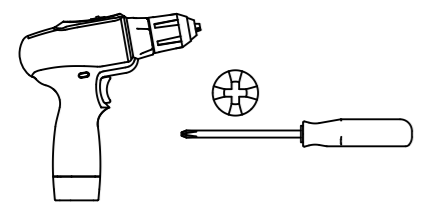


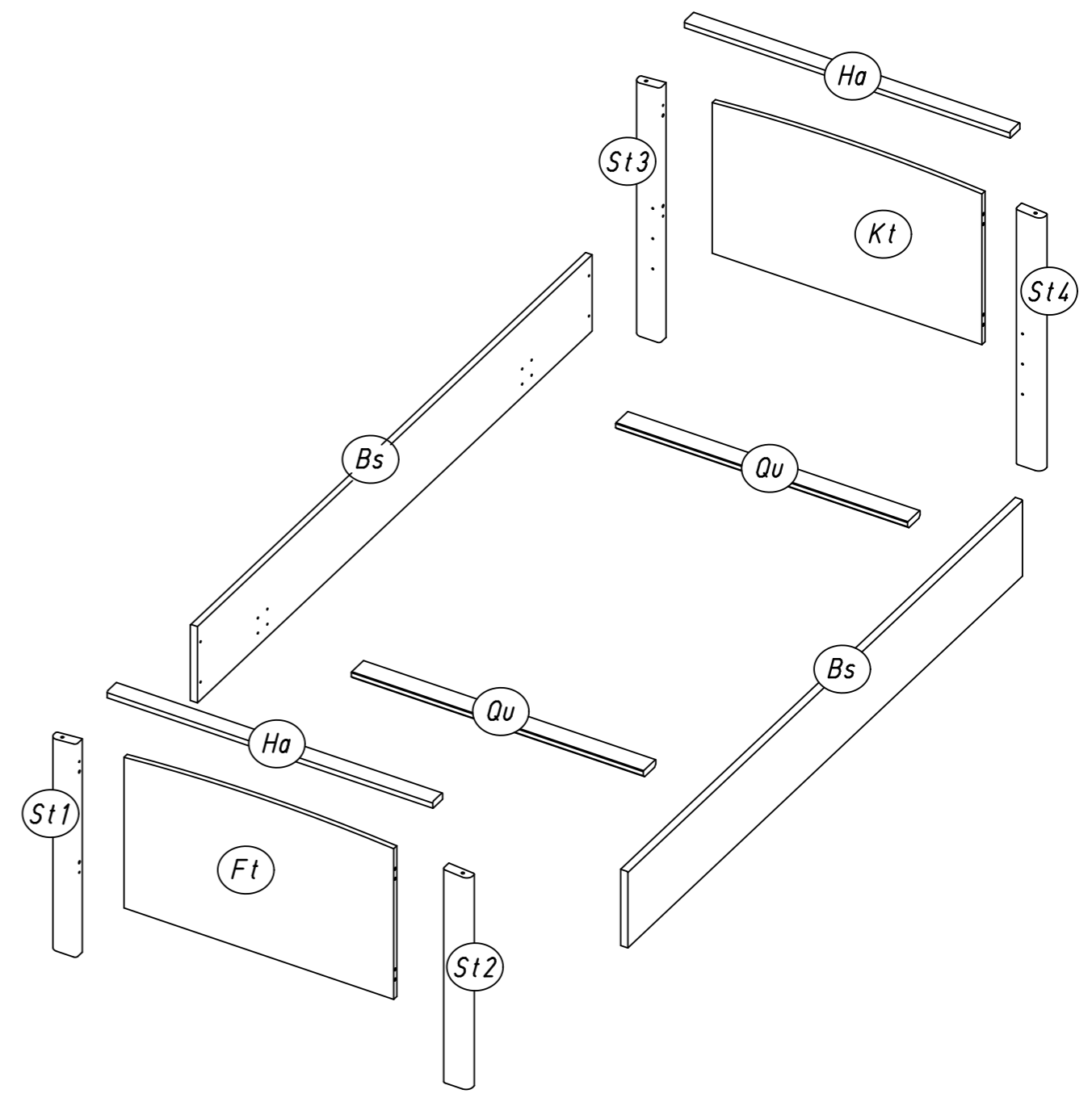
1.

M1722_02

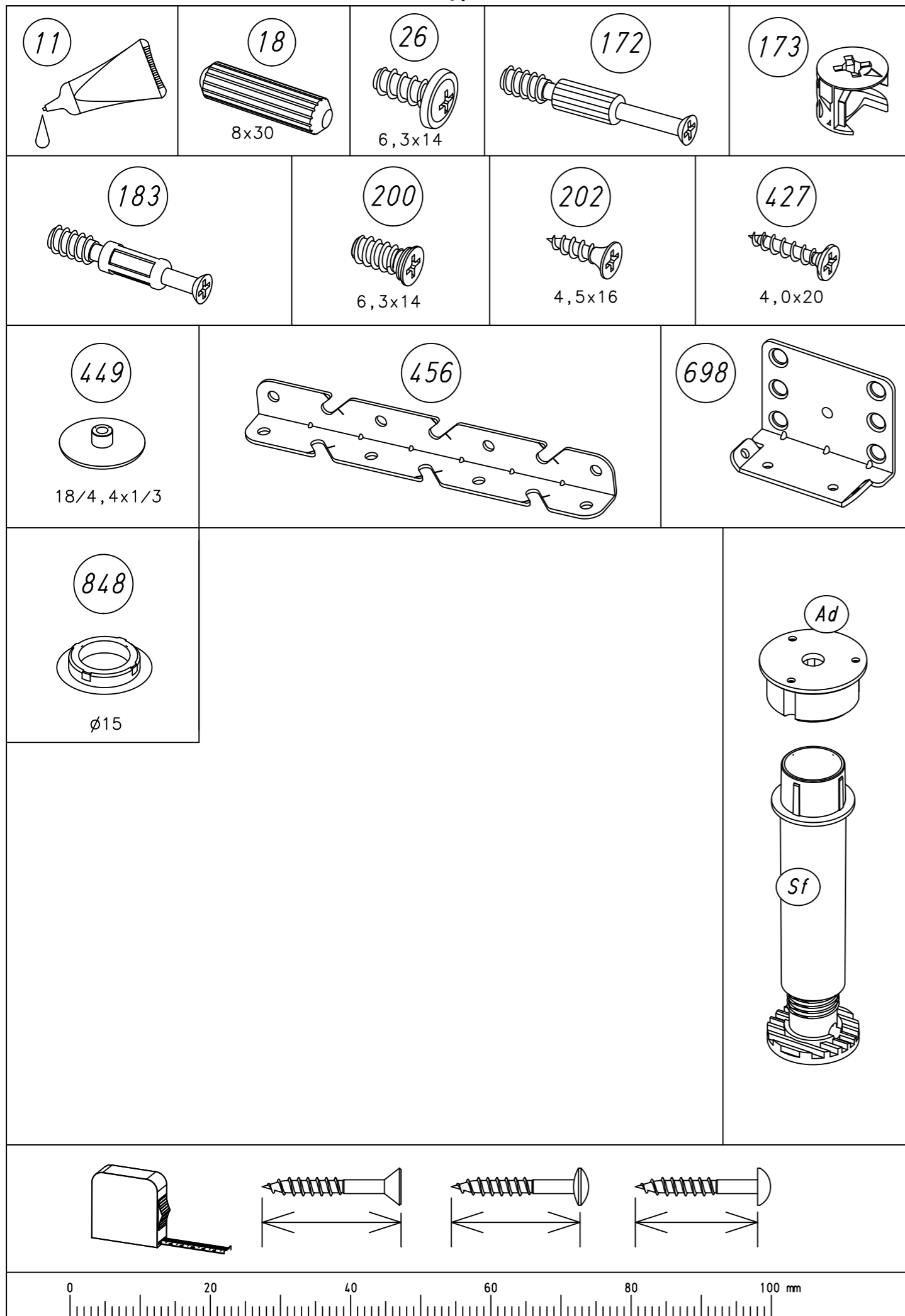
rauch



2.

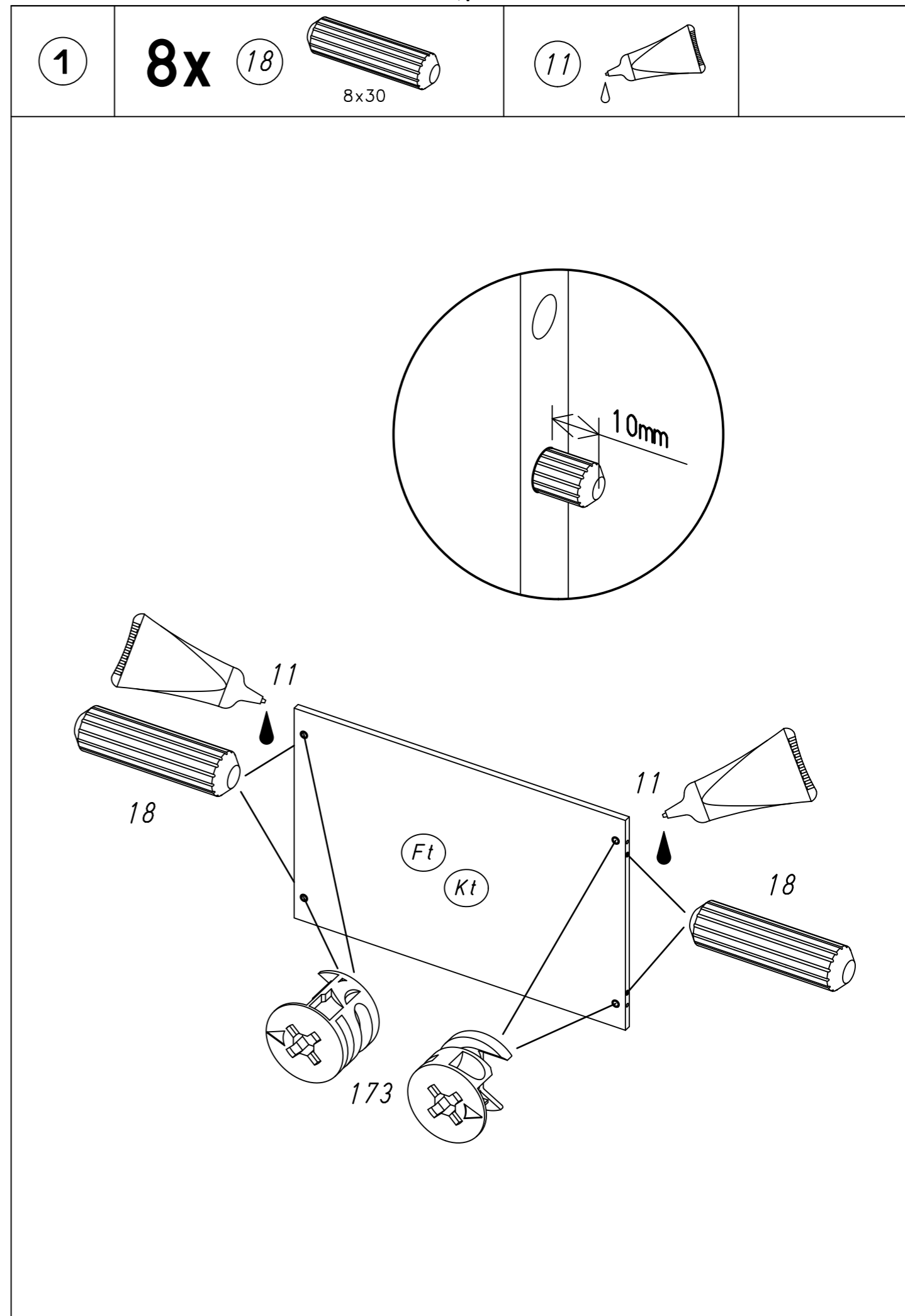


3.



M1722

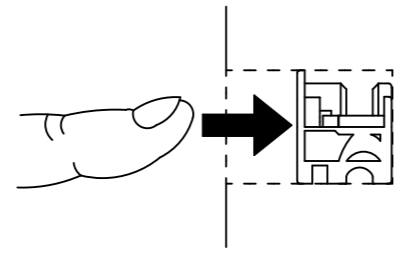
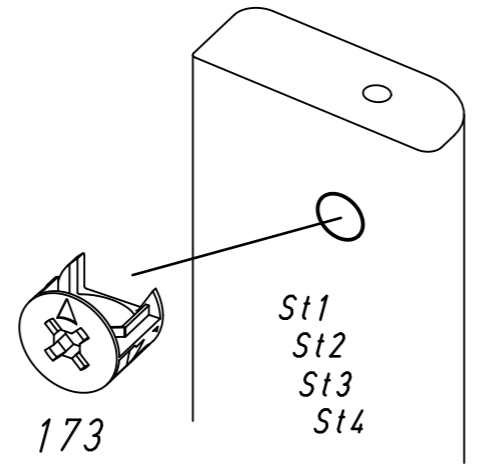
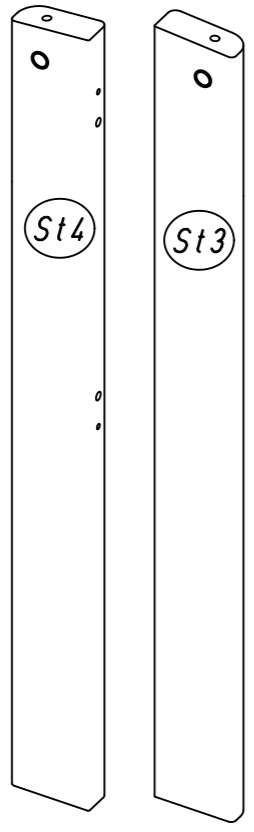
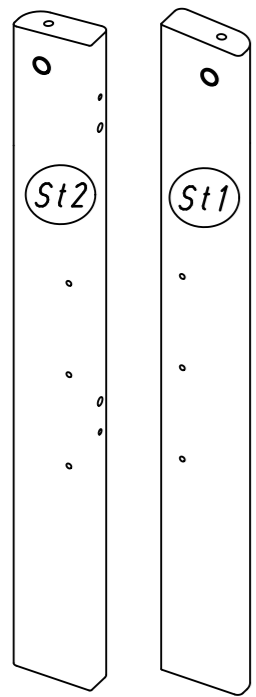
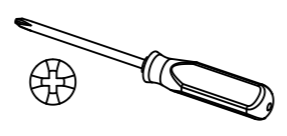
4.



M1722

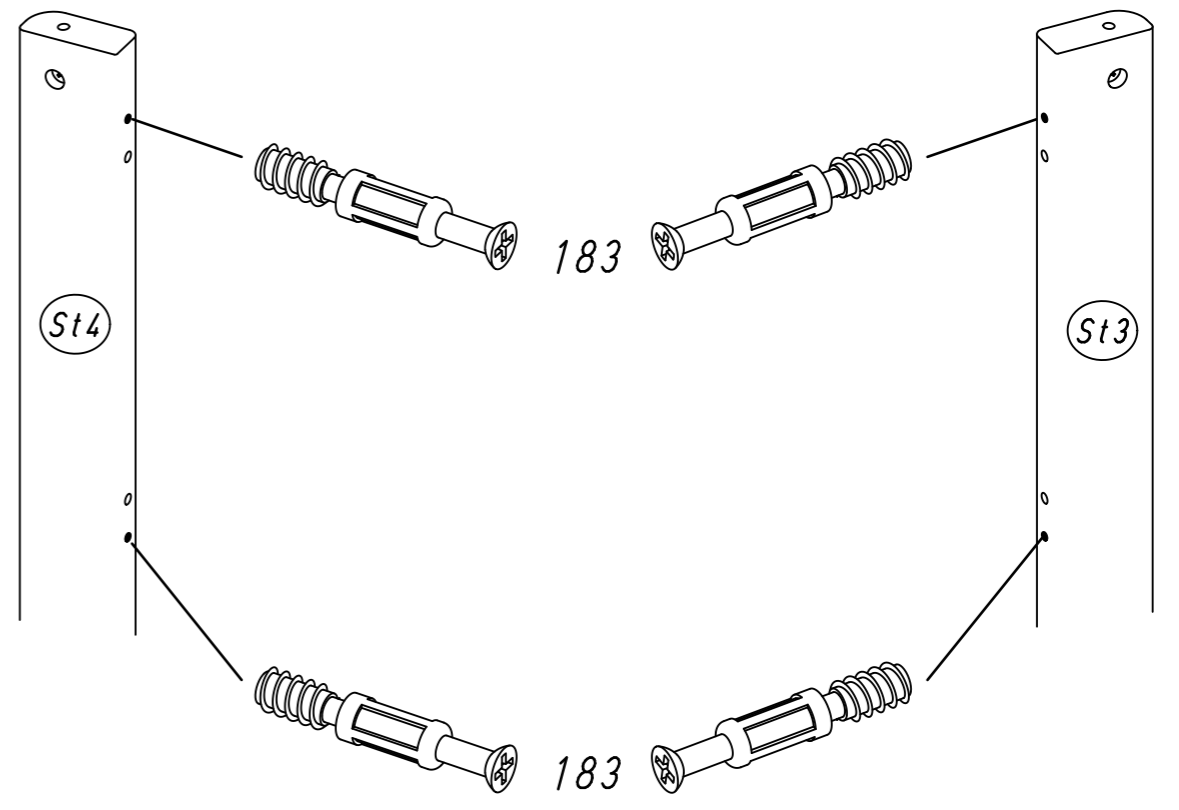
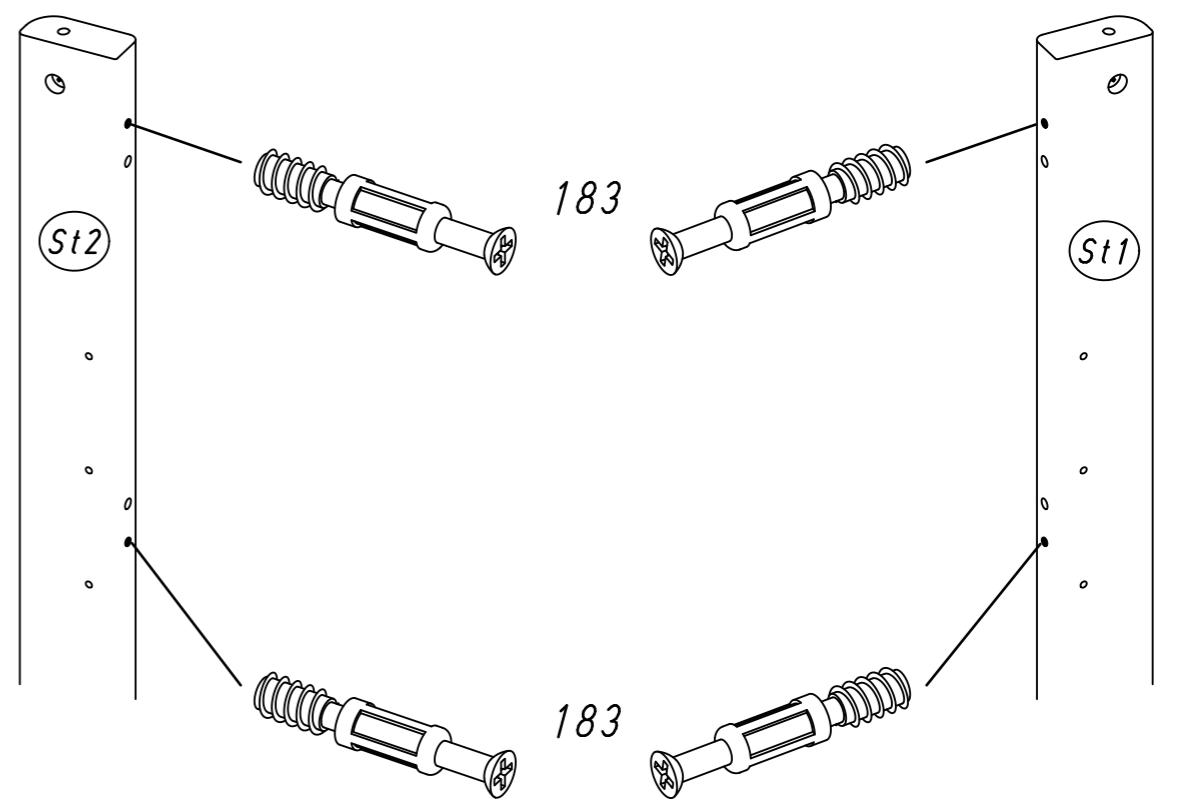
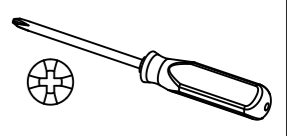
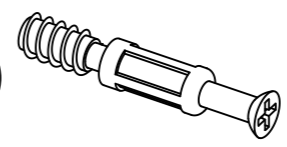
2

4x 173



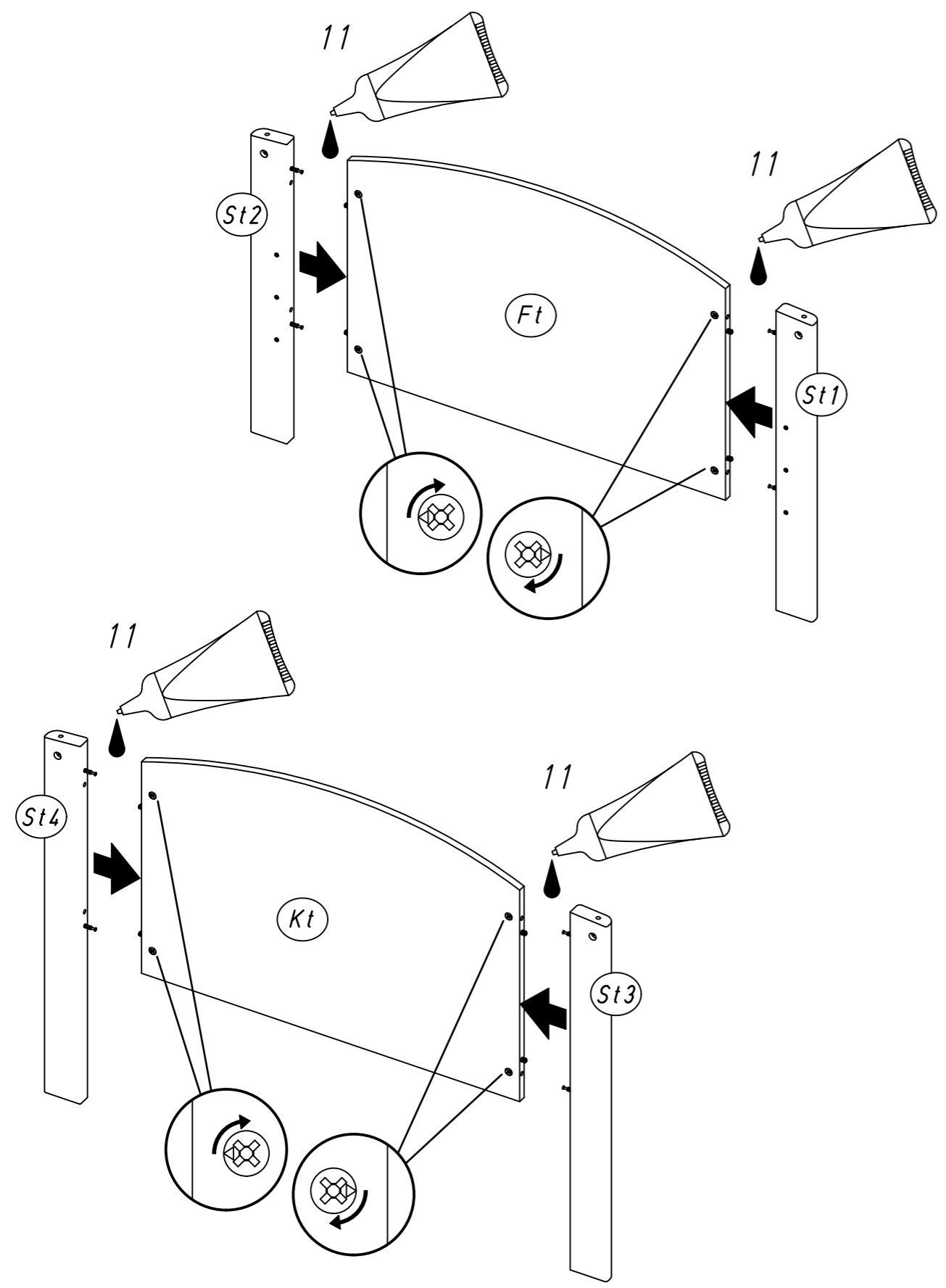
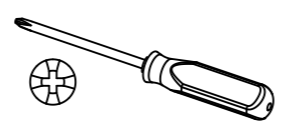
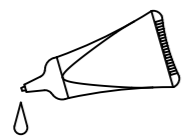
3

8x 183



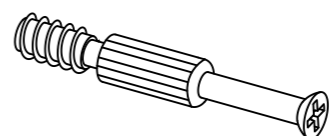
4

11

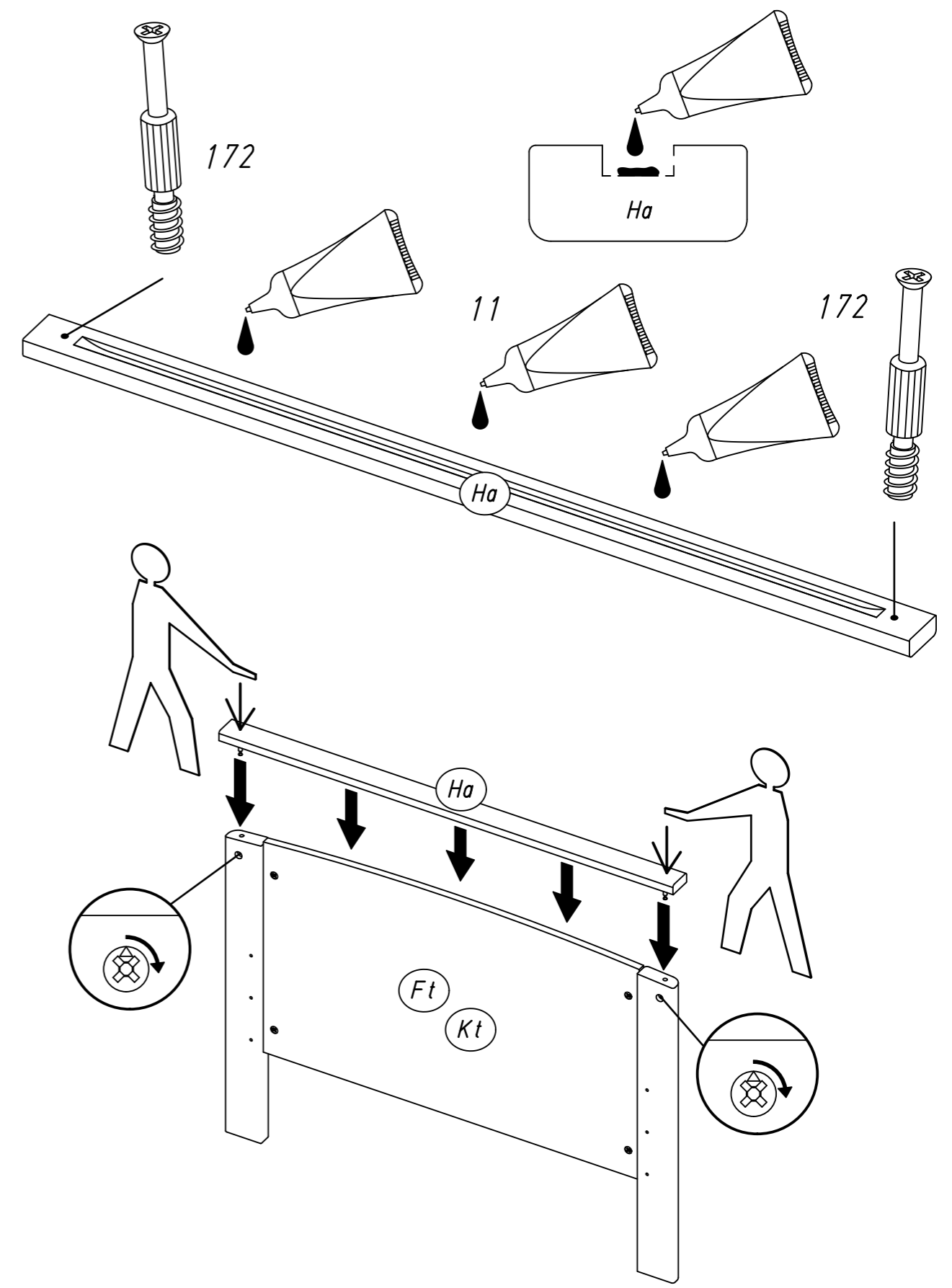
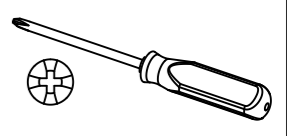
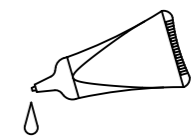


5

4x 172

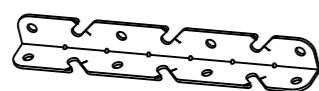


11

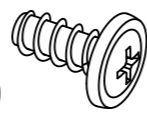


6

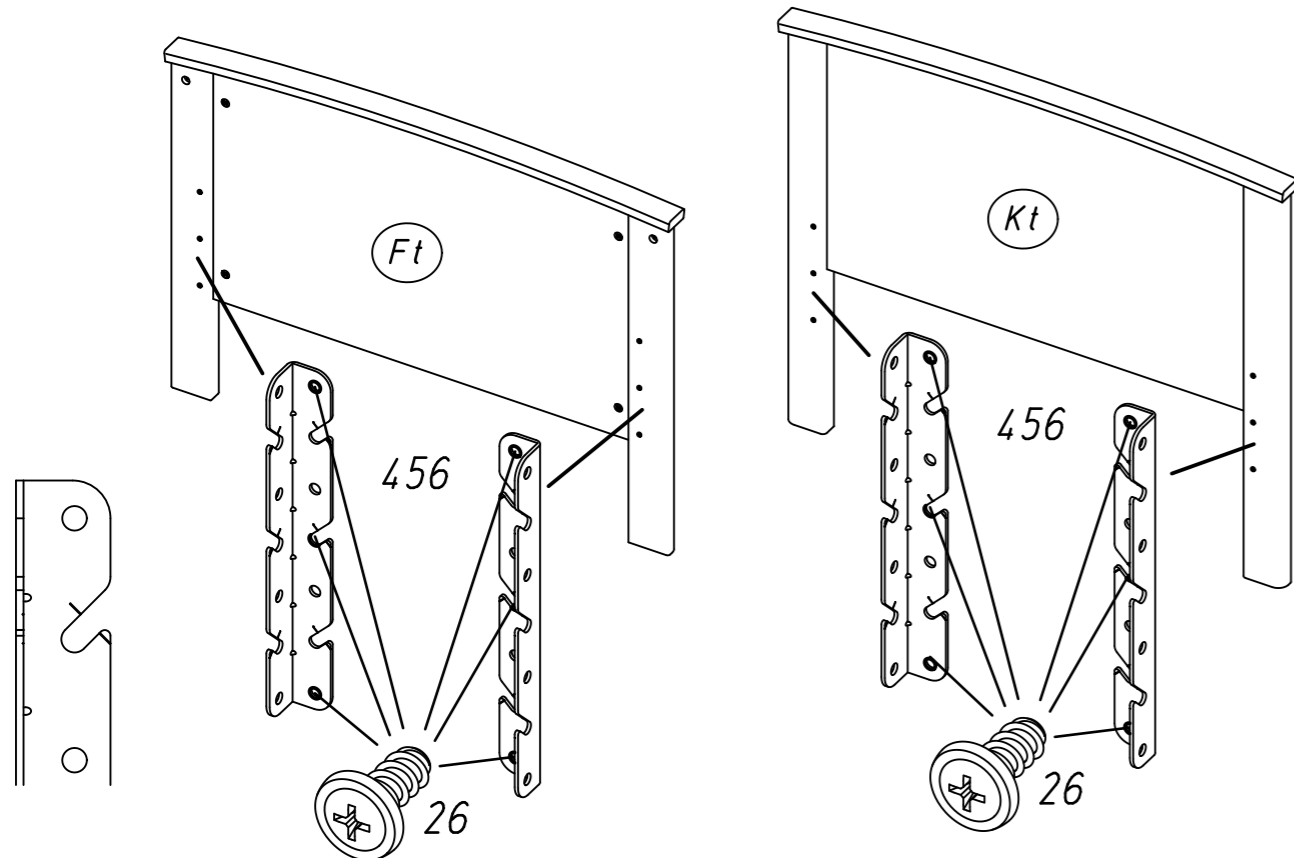
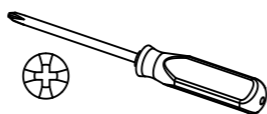
4x 456



12x 26

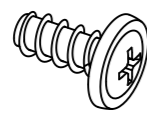


6,3x14

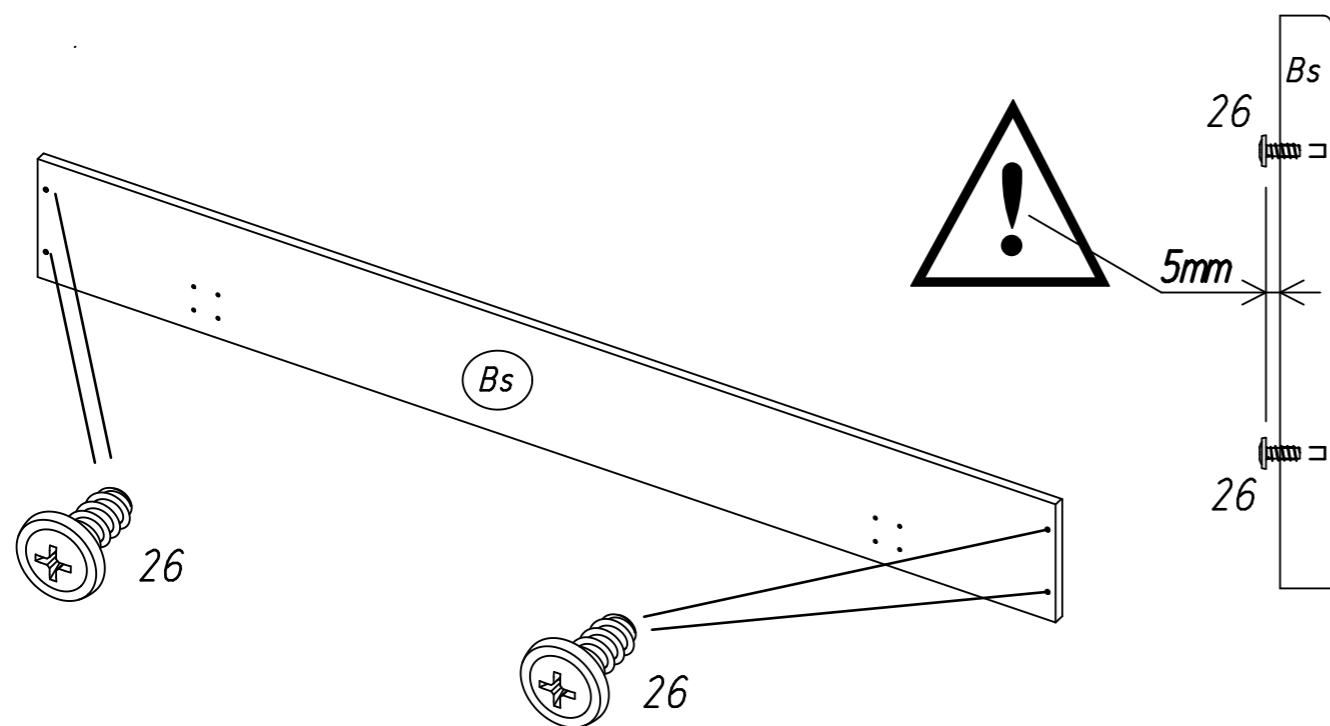
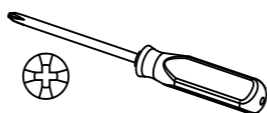


7

8x 26



6,3x14

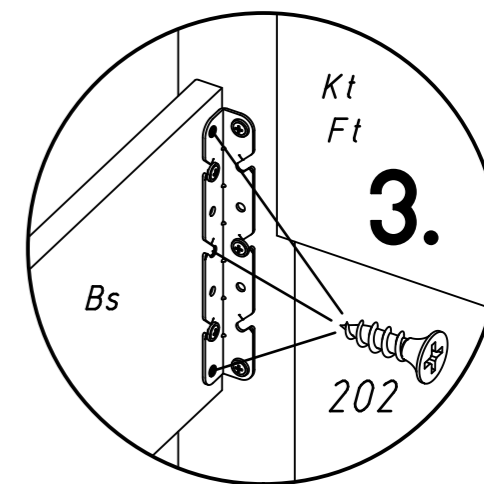
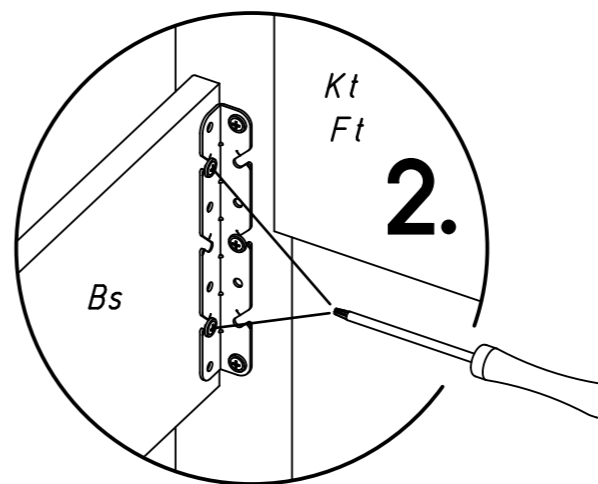
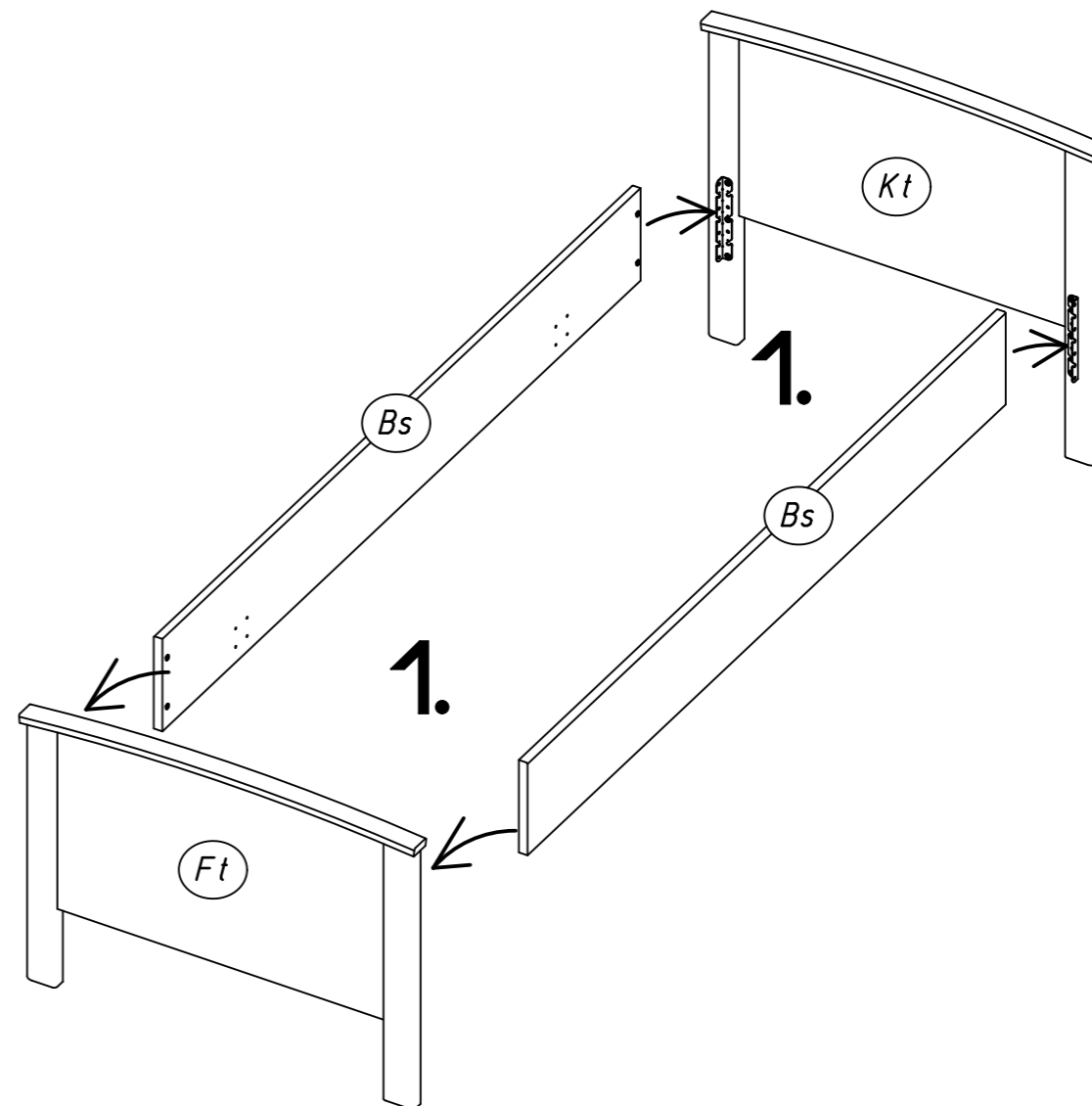
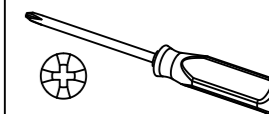


8

12x 202

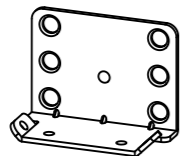


4.5x16



9

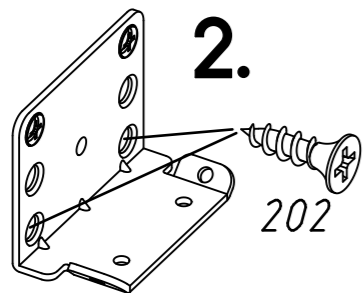
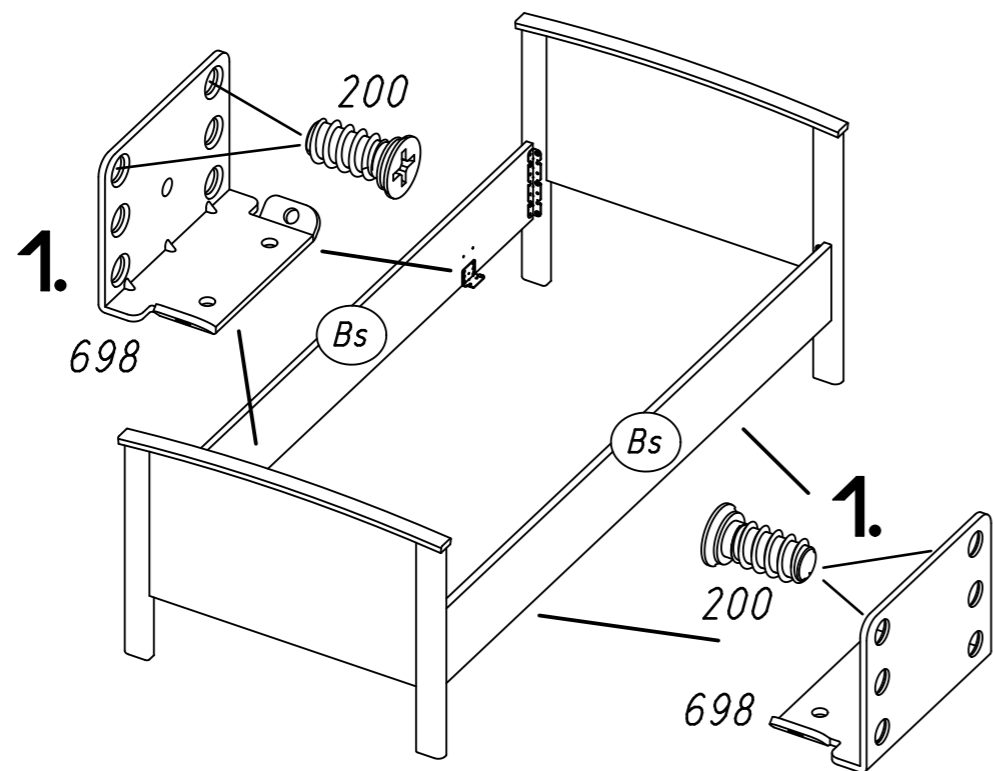
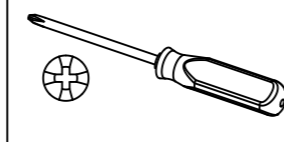
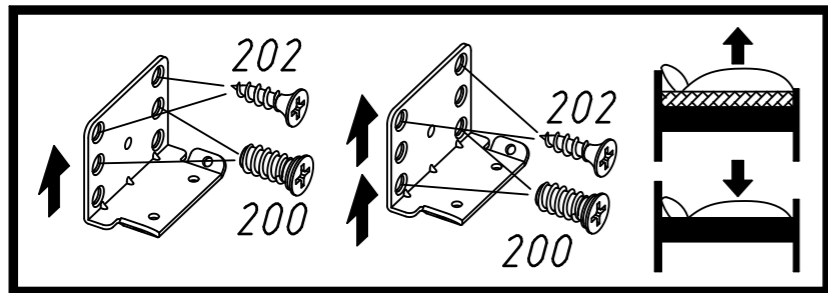
4x 698



8x 200

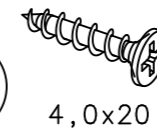


8x 202

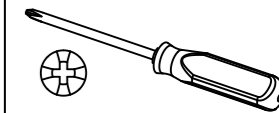
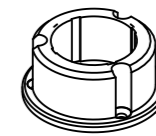


10

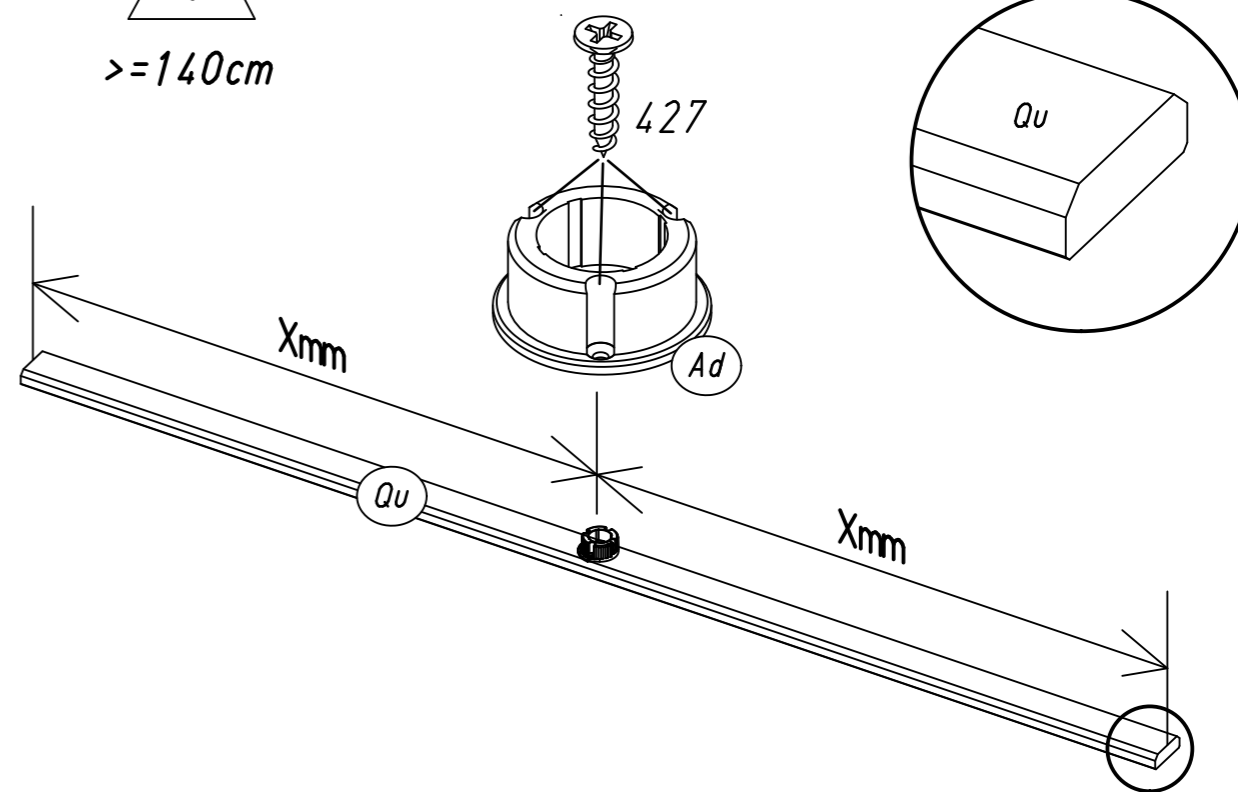
6x 427



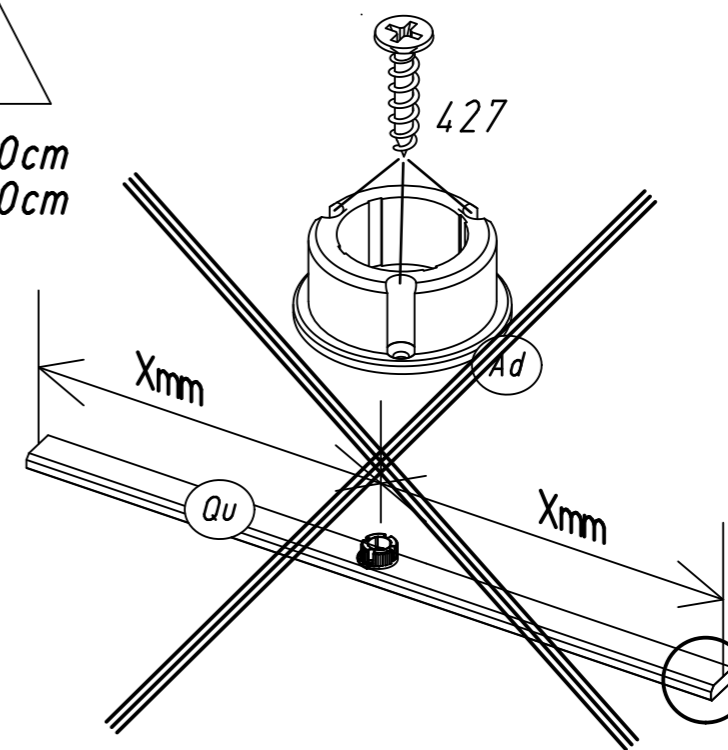
2x Ad



!
 >=140cm



!
 90cm
 100cm

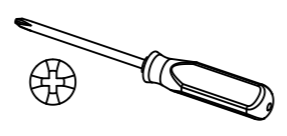


11

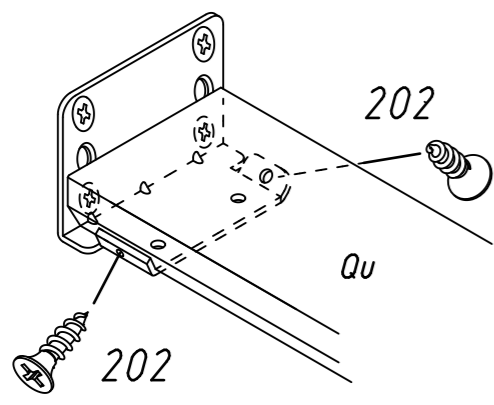
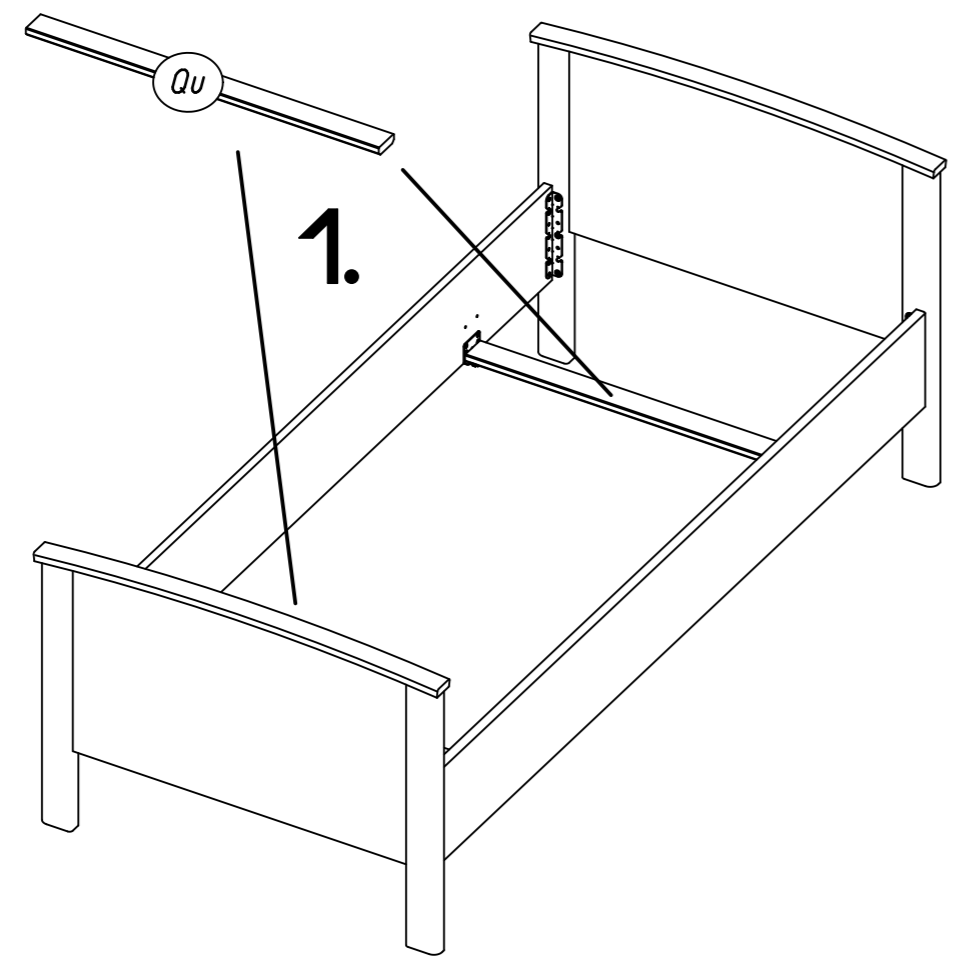
8x 202



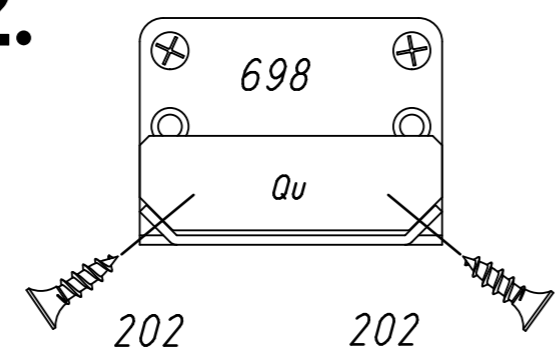
4.5x16



90cm
100cm



2.

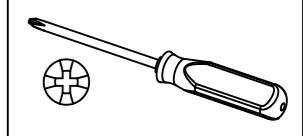


12

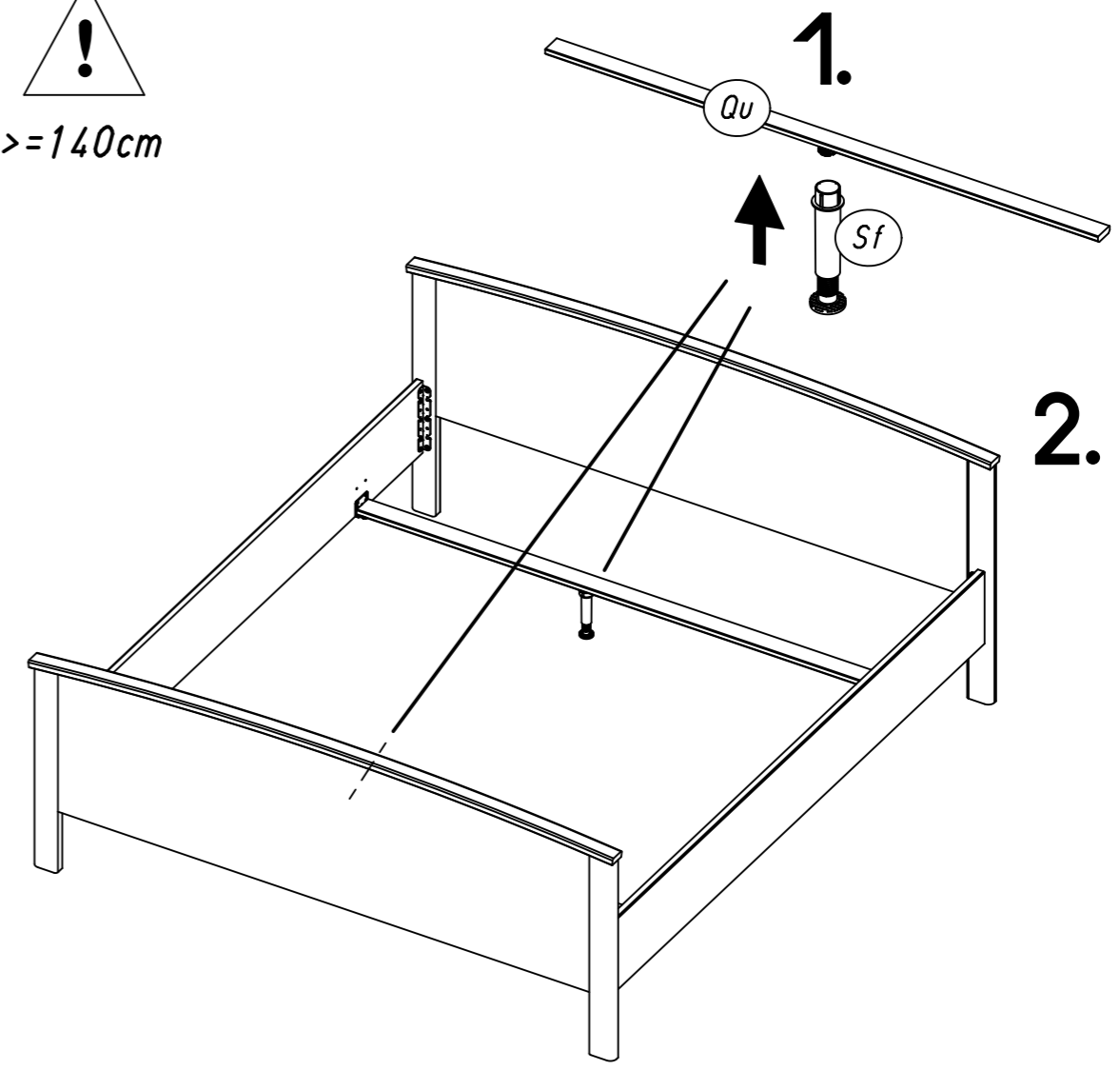
8x 202



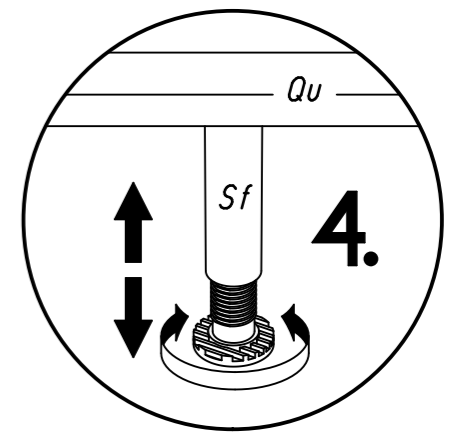
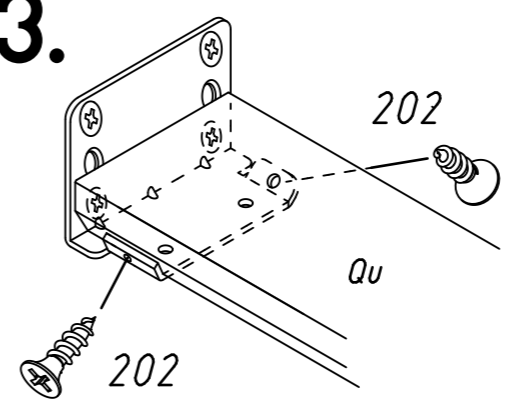
4.5x16



>=140cm



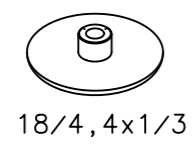
3.



15.

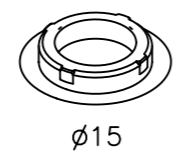
13

2x 449

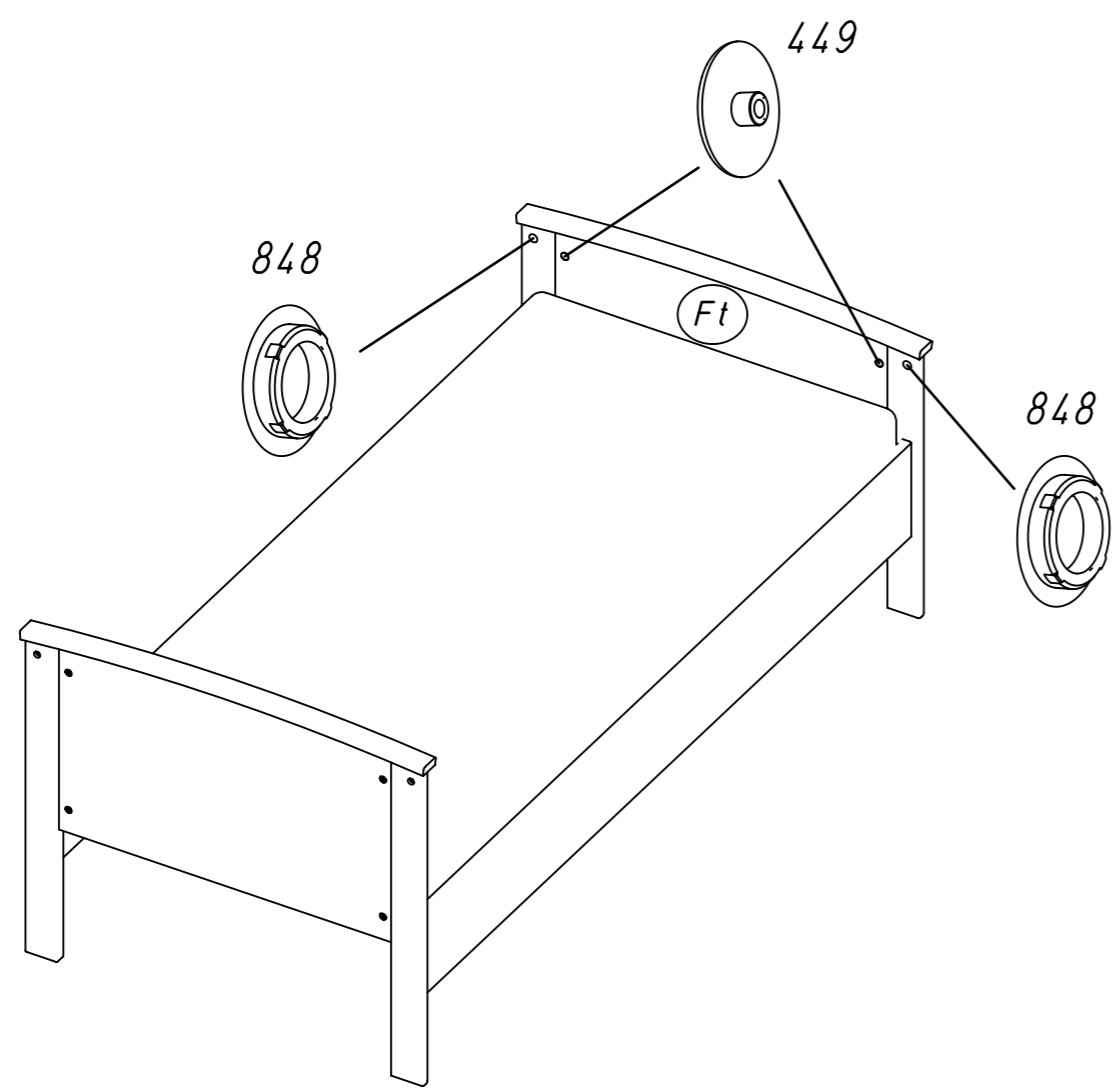


18/4, 4x1/3

2x 848



ø15



16.

